



US00D934917S

(12) **United States Design Patent** (10) **Patent No.:** **US D934,917 S**
Butcher et al. (45) **Date of Patent:** **** Nov. 2, 2021**

(54) **TRANSFER CASE GEAR HOUSING**

DESCRIPTION

- (71) Applicant: **RB Distribution, Inc.**, Colmar, PA (US)
- (72) Inventors: **Steven Butcher**, Collegeville, PA (US); **Brian Walker**, Collegeville, PA (US)
- (73) Assignee: **RB Distribution, Inc.**, Colmar, PA (US)
- (**) Term: **15 Years**
- (21) Appl. No.: **29/608,417**
- (22) Filed: **Jun. 21, 2017**
- (51) **LOC (13) Cl.** **15-03**
- (52) **U.S. Cl.**
USPC **D15/7**
- (58) **Field of Classification Search**
USPC D15/7-9; D23/225, 231, 232
CPC F02M 37/04; F02M 37/14
See application file for complete search history.

FIG. 1 is a perspective, environmental view of one embodiment of our transfer case gear housing;
 FIG. 2 is a perspective view of our transfer case gear housing;
 FIG. 3 is a front view of the transfer case gear housing of FIG. 2;
 FIG. 4 is a rear view of the transfer case gear housing of FIG. 2;
 FIG. 5 is a right side view of the transfer case gear housing of FIG. 2;
 FIG. 6 is a left side view of the transfer case gear housing of FIG. 2;
 FIG. 7 is a top plan view of the transfer case gear housing of FIG. 2;
 FIG. 8 is a bottom plan view of the transfer case gear housing of FIG. 2;
 FIG. 9 is a perspective, environmental view of another embodiment of our transfer case gear housing;
 FIG. 10 is a perspective view of the of the transfer case gear housing of FIG. 9;
 FIG. 11 is a perspective view of the transfer case gear housing of FIG. 10;
 FIG. 12 is a rear view of the transfer case gear housing of FIG. 10;
 FIG. 13 is a right side view of the transfer case gear housing of FIG. 10;
 FIG. 14 is a left side view of the transfer case gear housing of FIG. 10;
 FIG. 15 is a top plan view of the transfer case gear housing of FIG. 10; and,
 FIG. 16 is a bottom plan view of the transfer case gear housing of FIG. 10.
 The broken line showing in the drawings is included for the purpose of illustrating environment and forms no part of the claimed design for our transfer case gear housing.

(56) **References Cited**

U.S. PATENT DOCUMENTS

D604,747 S *	11/2009	Hodge	D15/9
D641,379 S *	7/2011	Milojevic	D15/7
D641,380 S *	7/2011	Milojevic	D15/7
D641,381 S *	7/2011	Milojevic	D15/7
D667,025 S *	9/2012	Wunner	D15/7
D704,748 S *	5/2014	Beers	D15/7
D769,331 S *	10/2016	Park	D15/7
D780,226 S *	2/2017	Nelson	D15/7
D789,422 S *	6/2017	Theiss	D15/7
D807,924 S *	1/2018	Wilkie	D15/7
D846,001 S *	4/2019	Lagas	D15/7

* cited by examiner

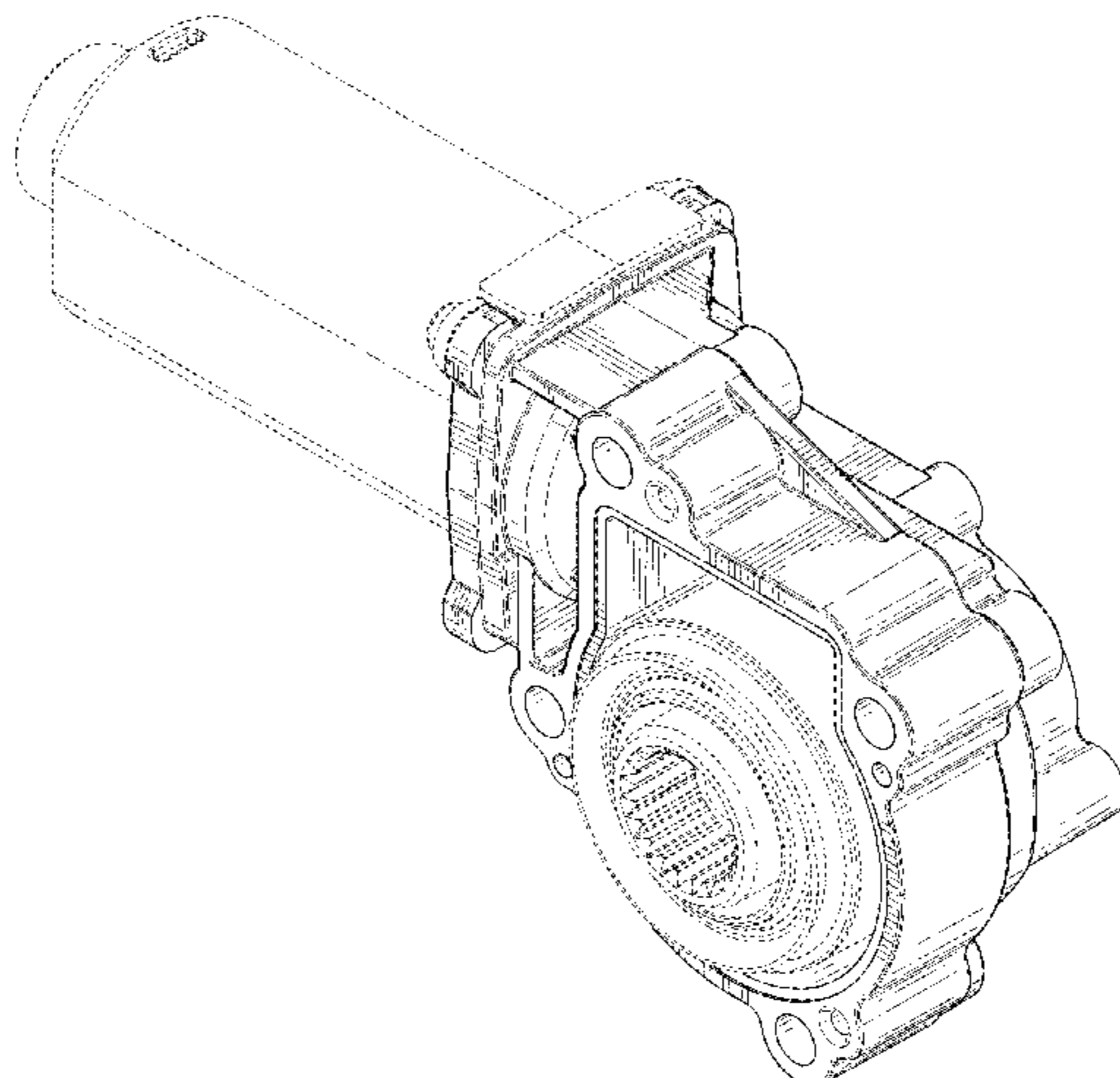
Primary Examiner — Khawaja Anwar

(74) *Attorney, Agent, or Firm* — Volpe Koenig

(57) **CLAIM**

The ornamental design for a transfer case gear housing, as shown and described.

1 Claim, 16 Drawing Sheets



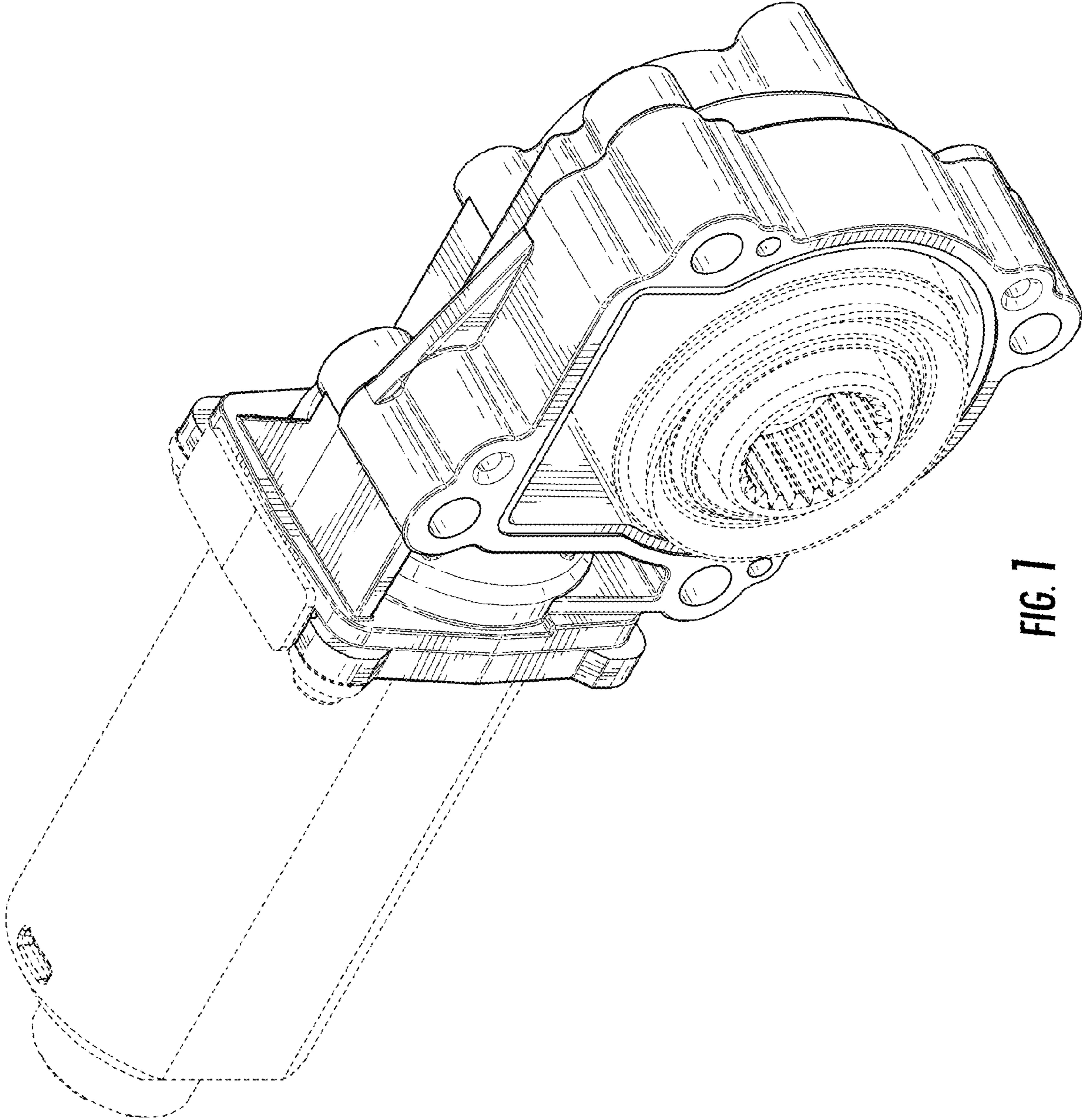


FIG. 7

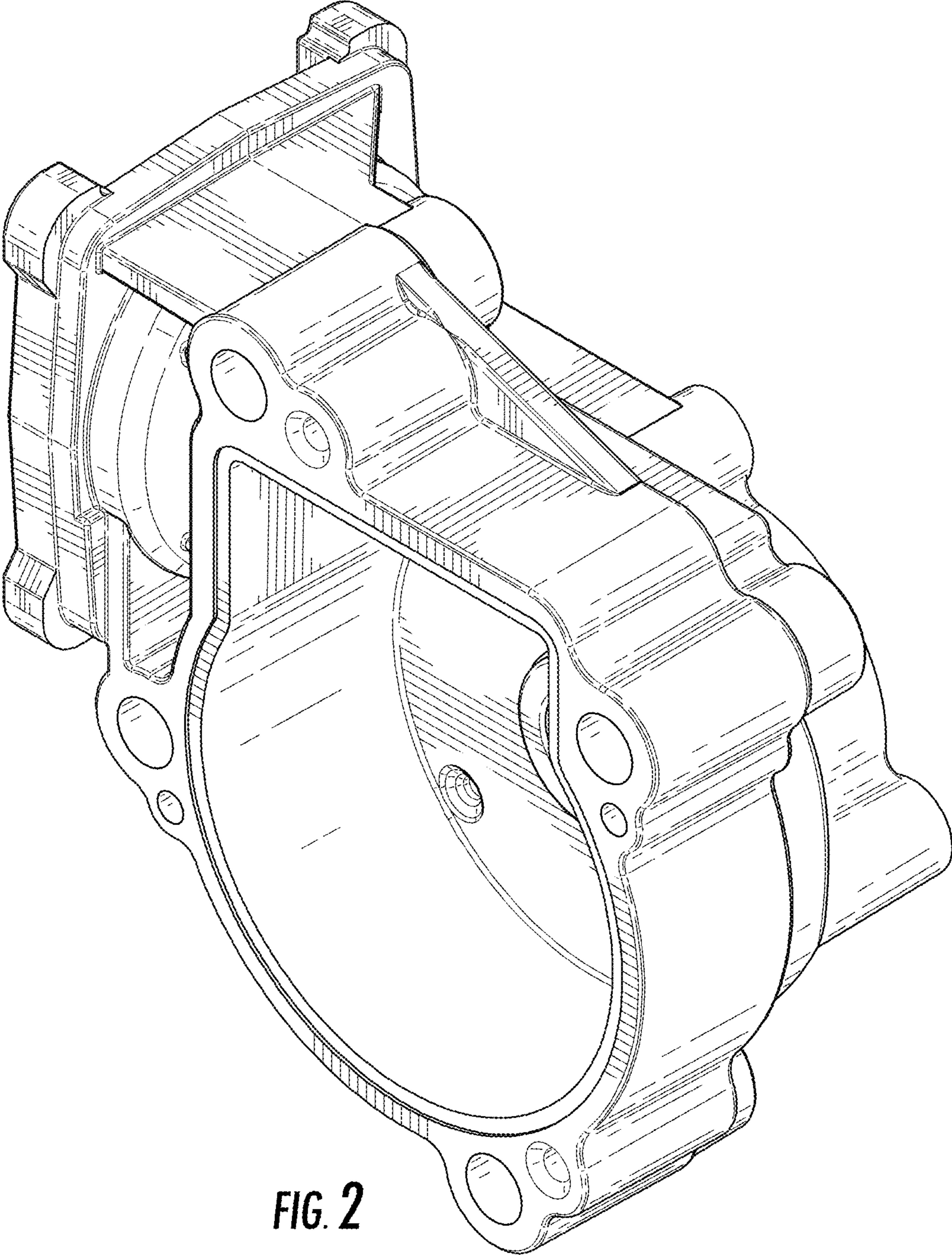
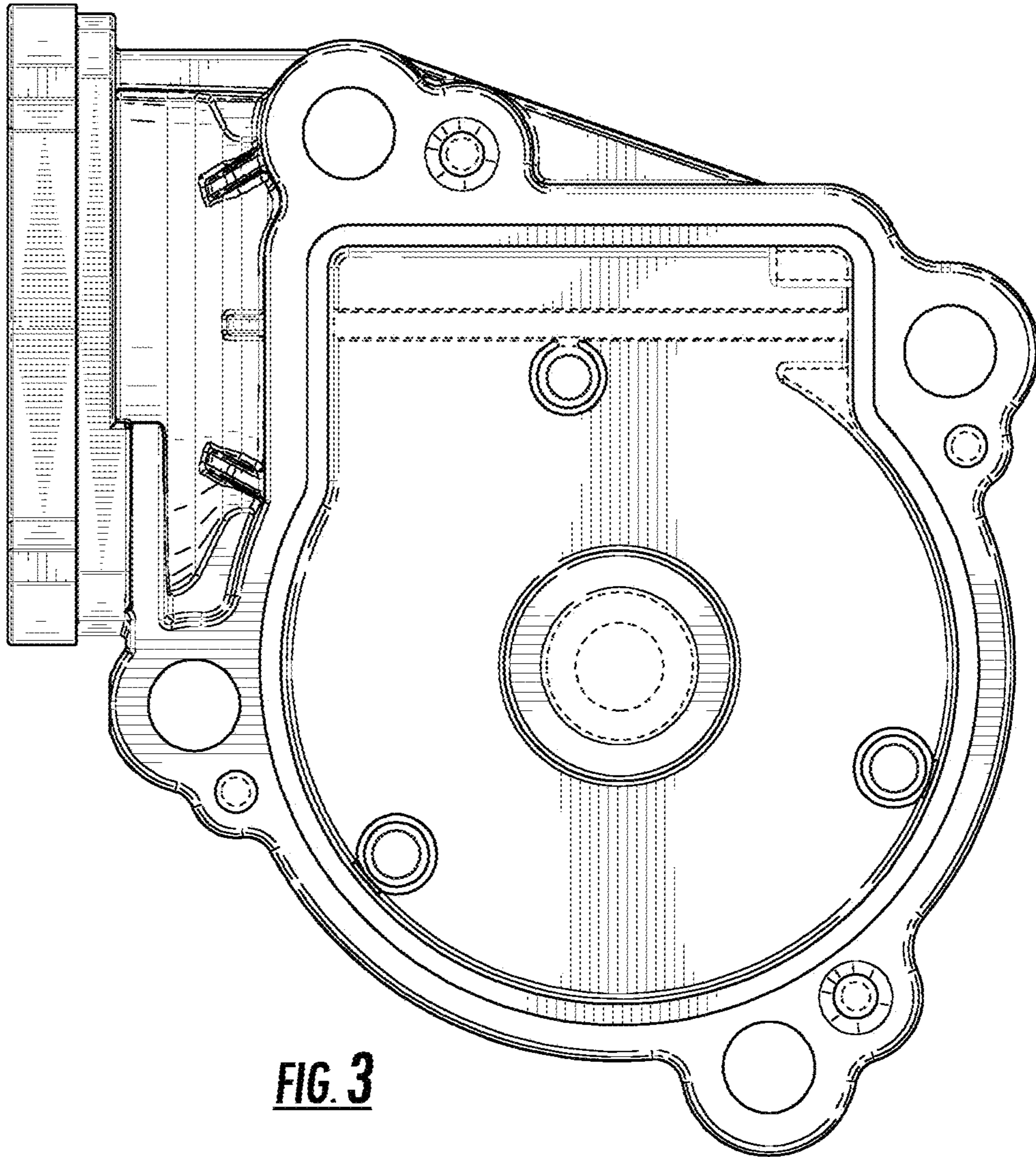
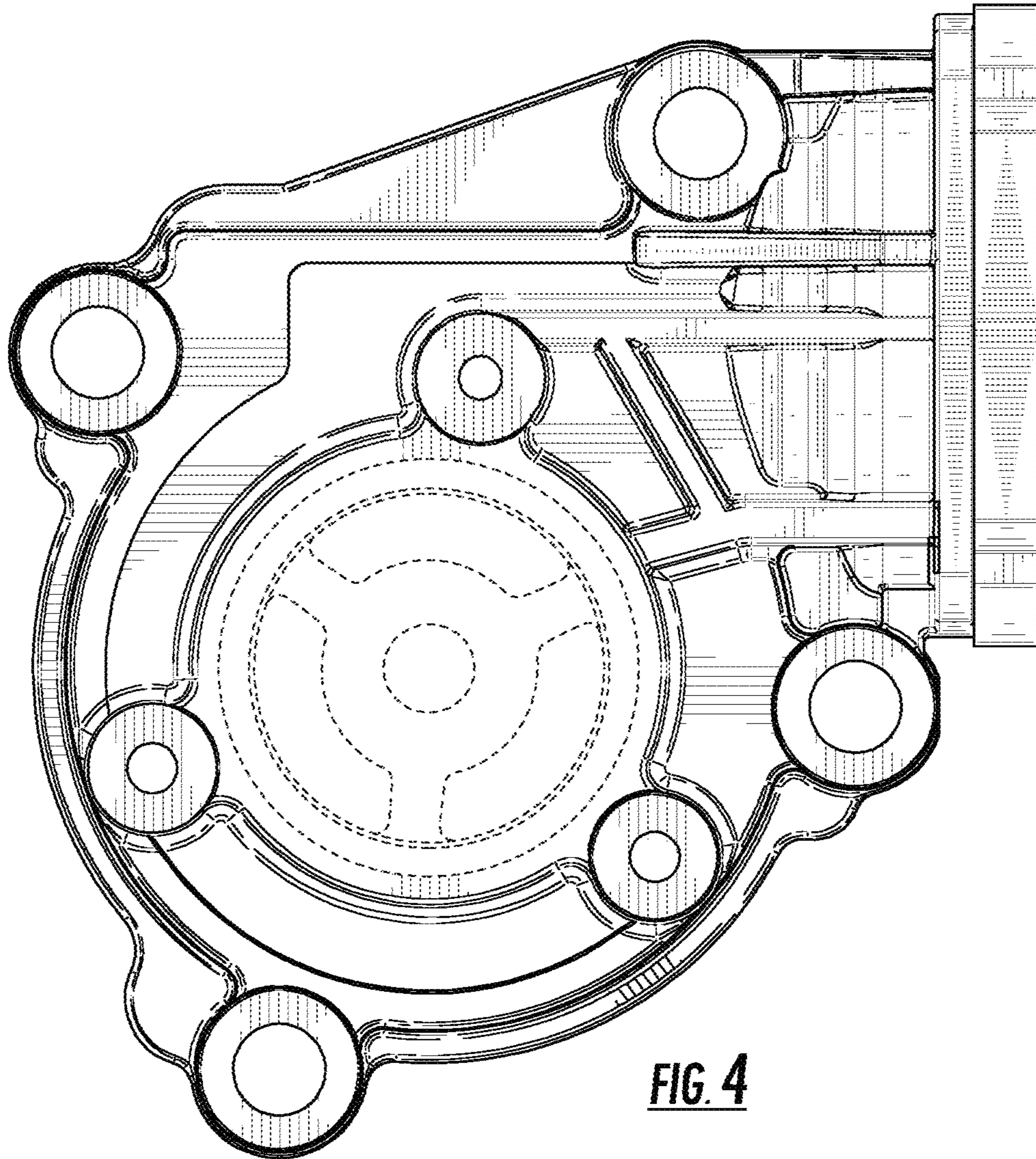


FIG. 2





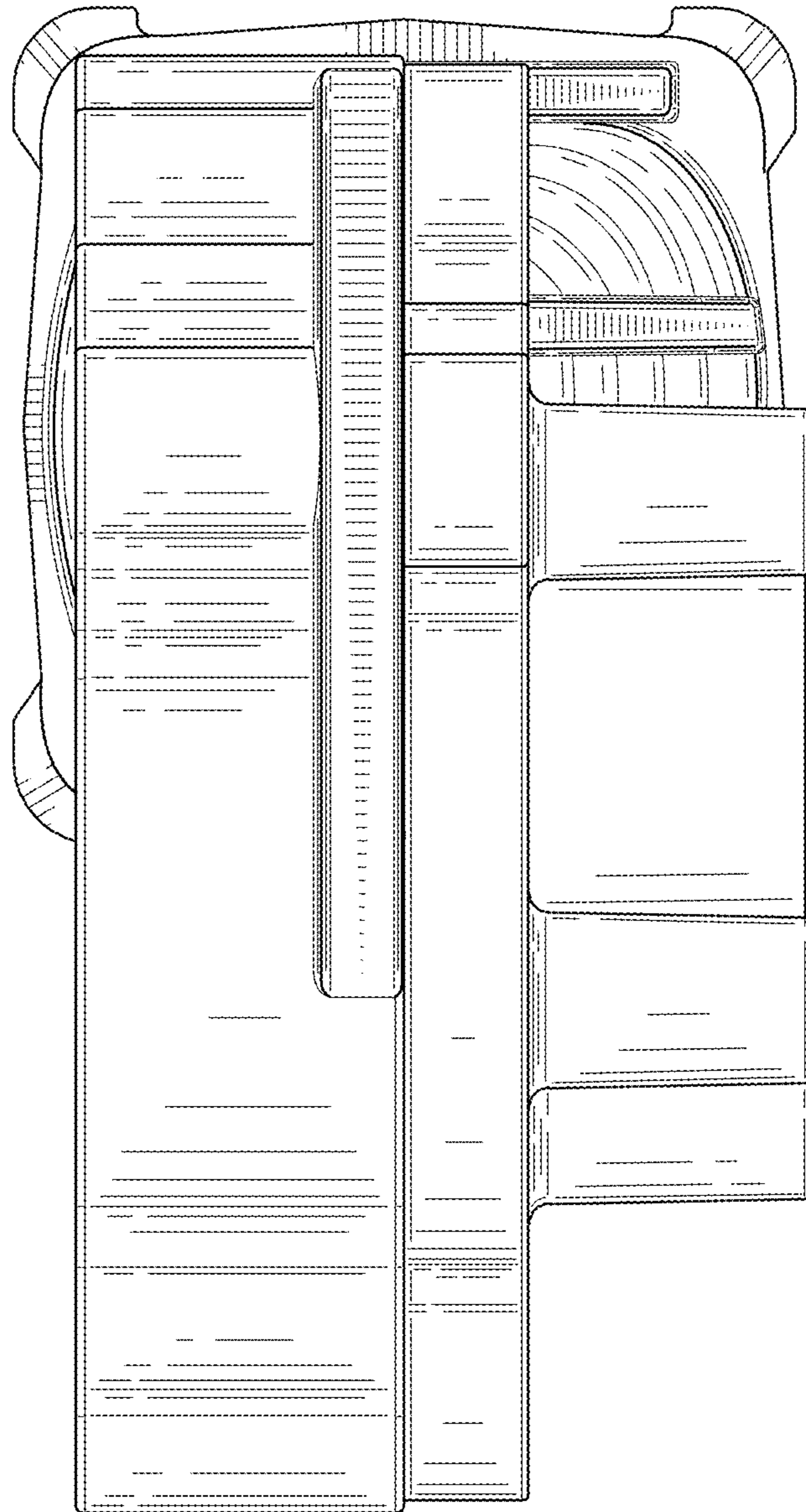


FIG. 5

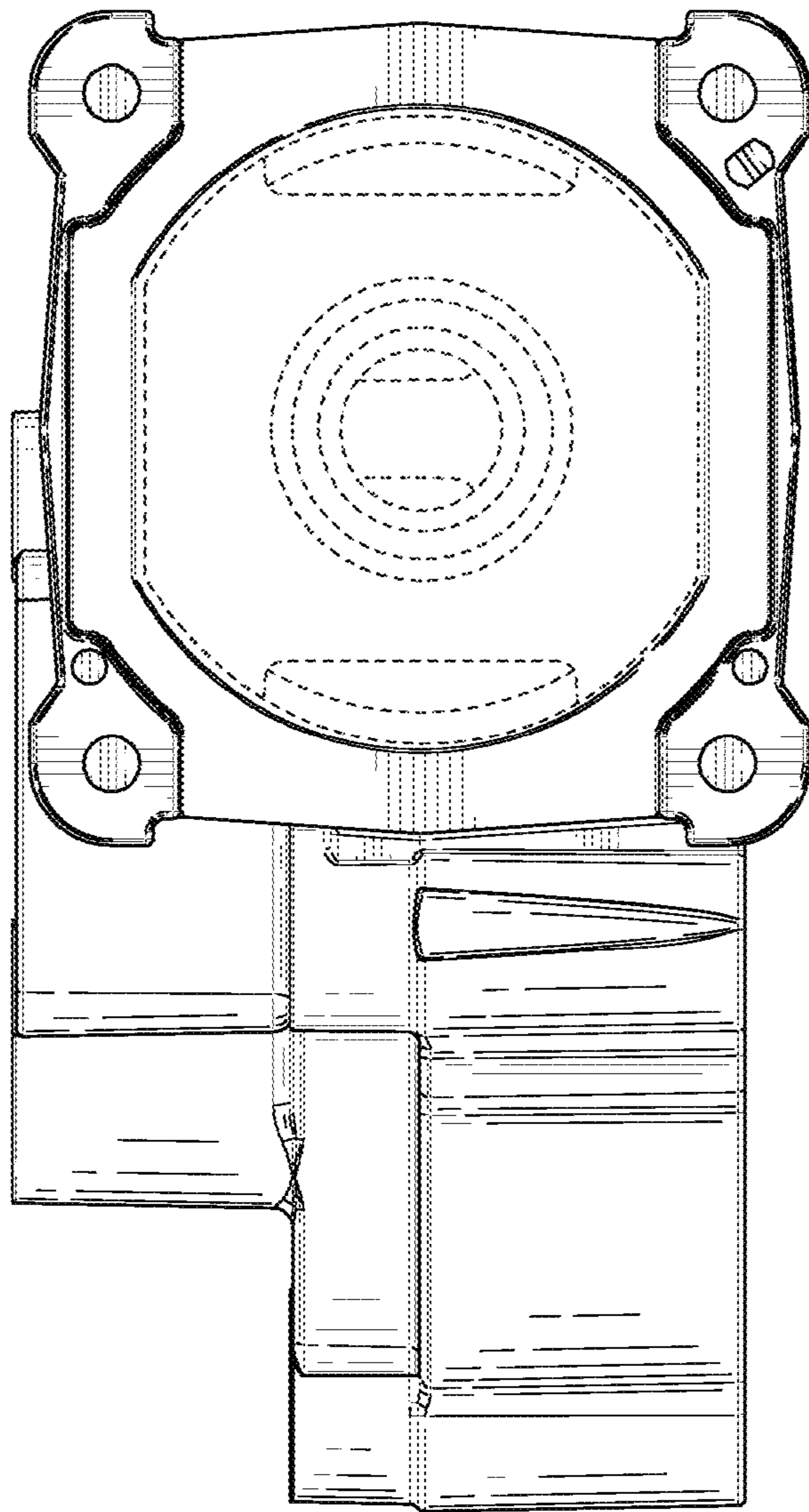


FIG. 6

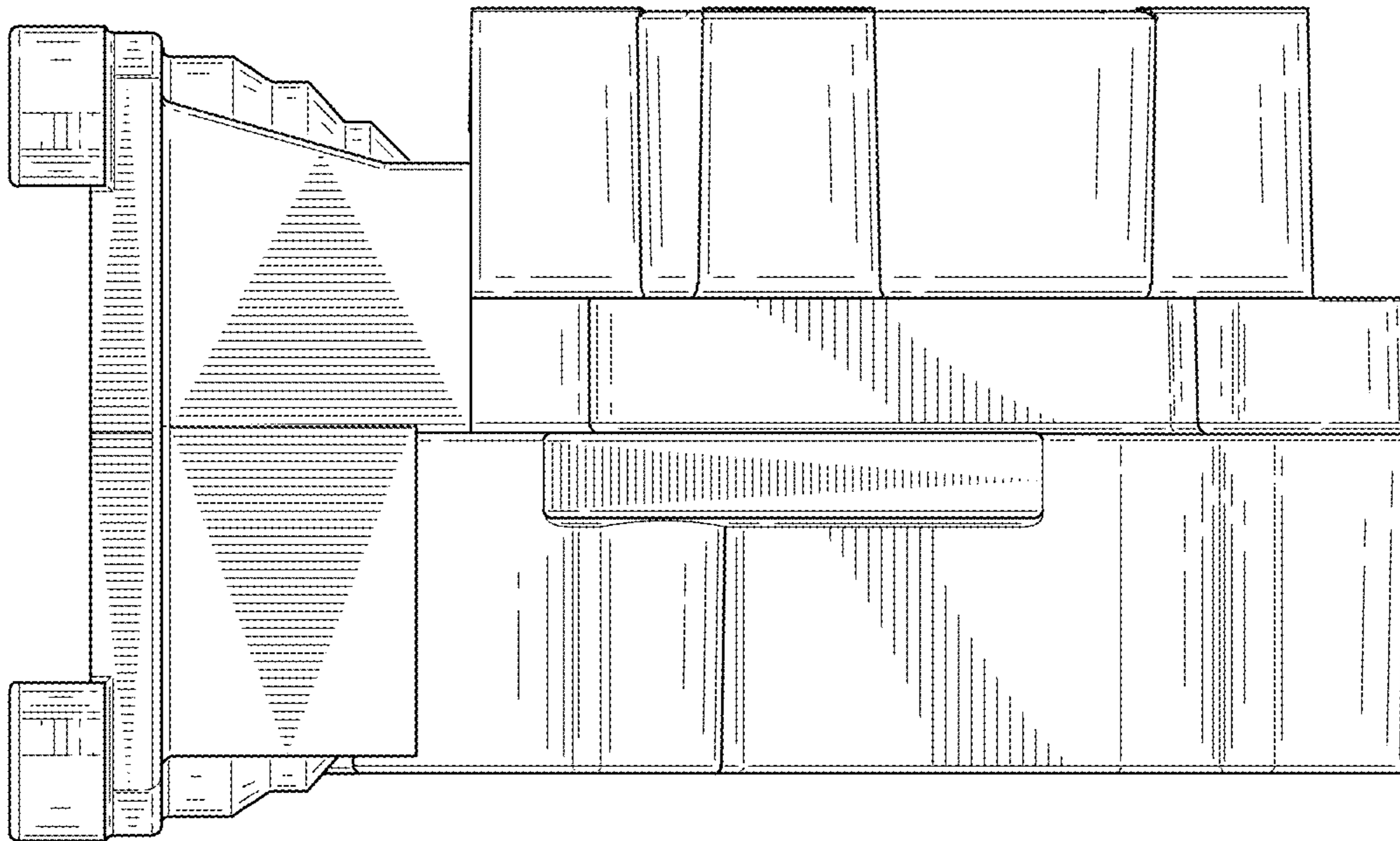


FIG. 7

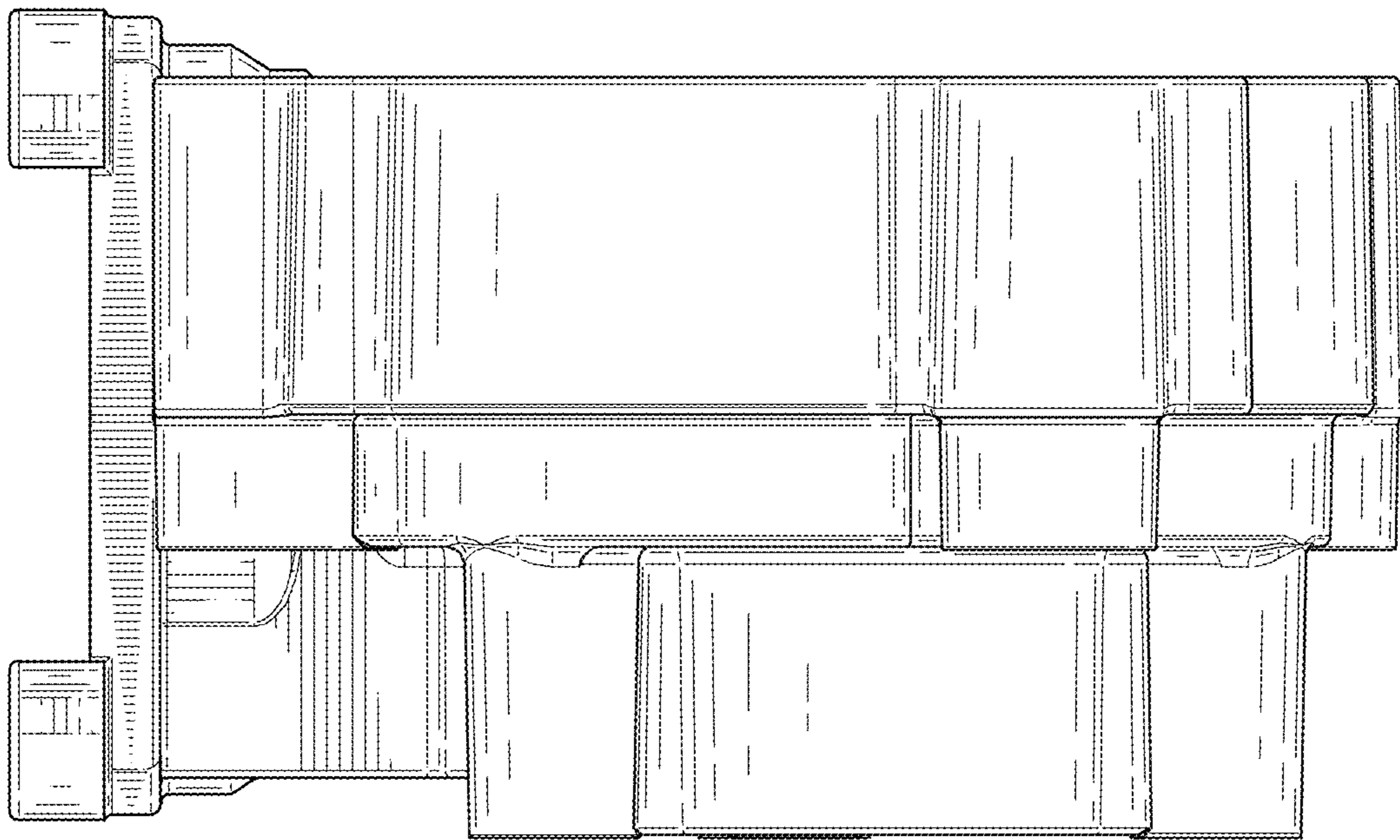


FIG. 8

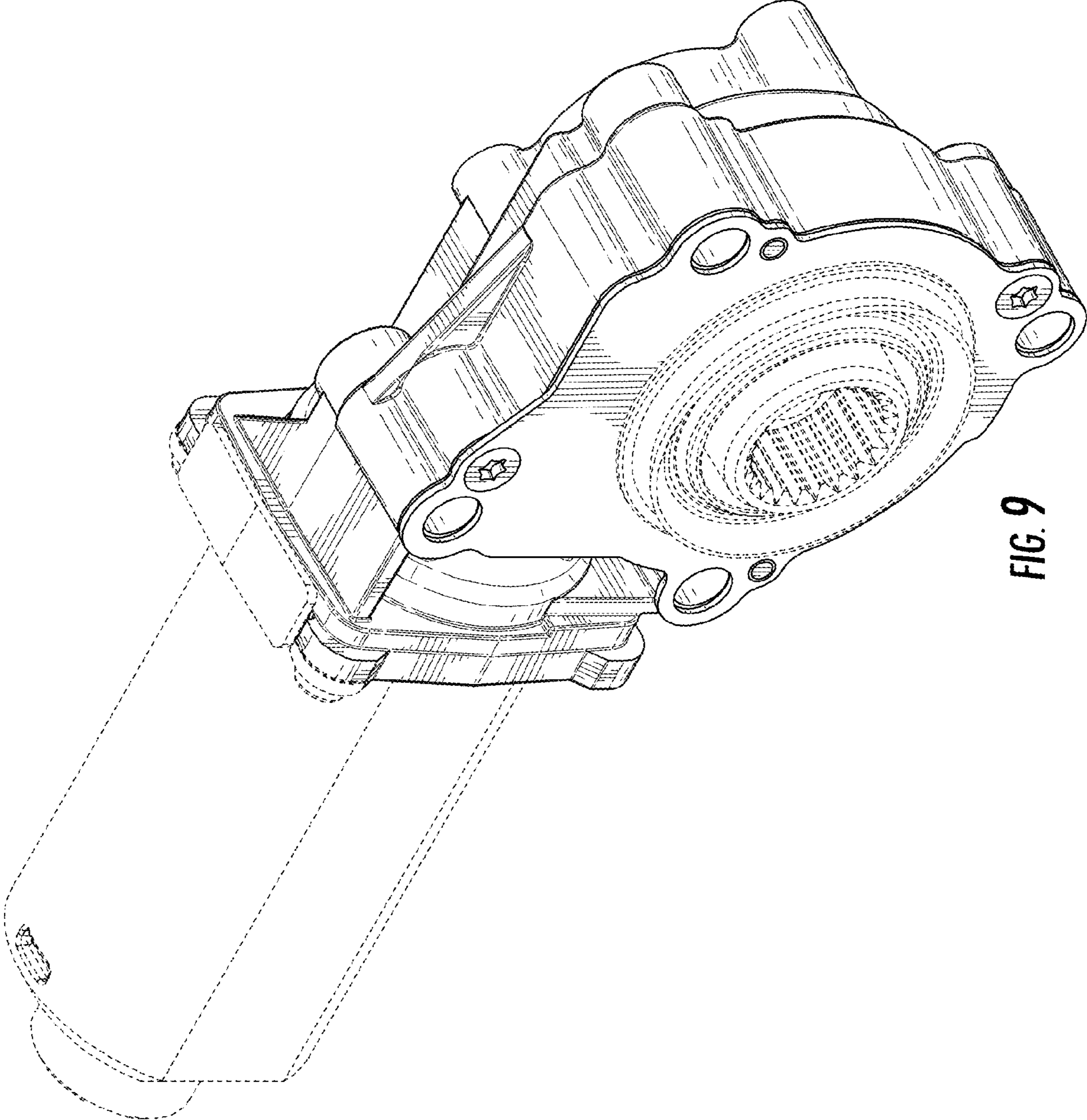


FIG. 9

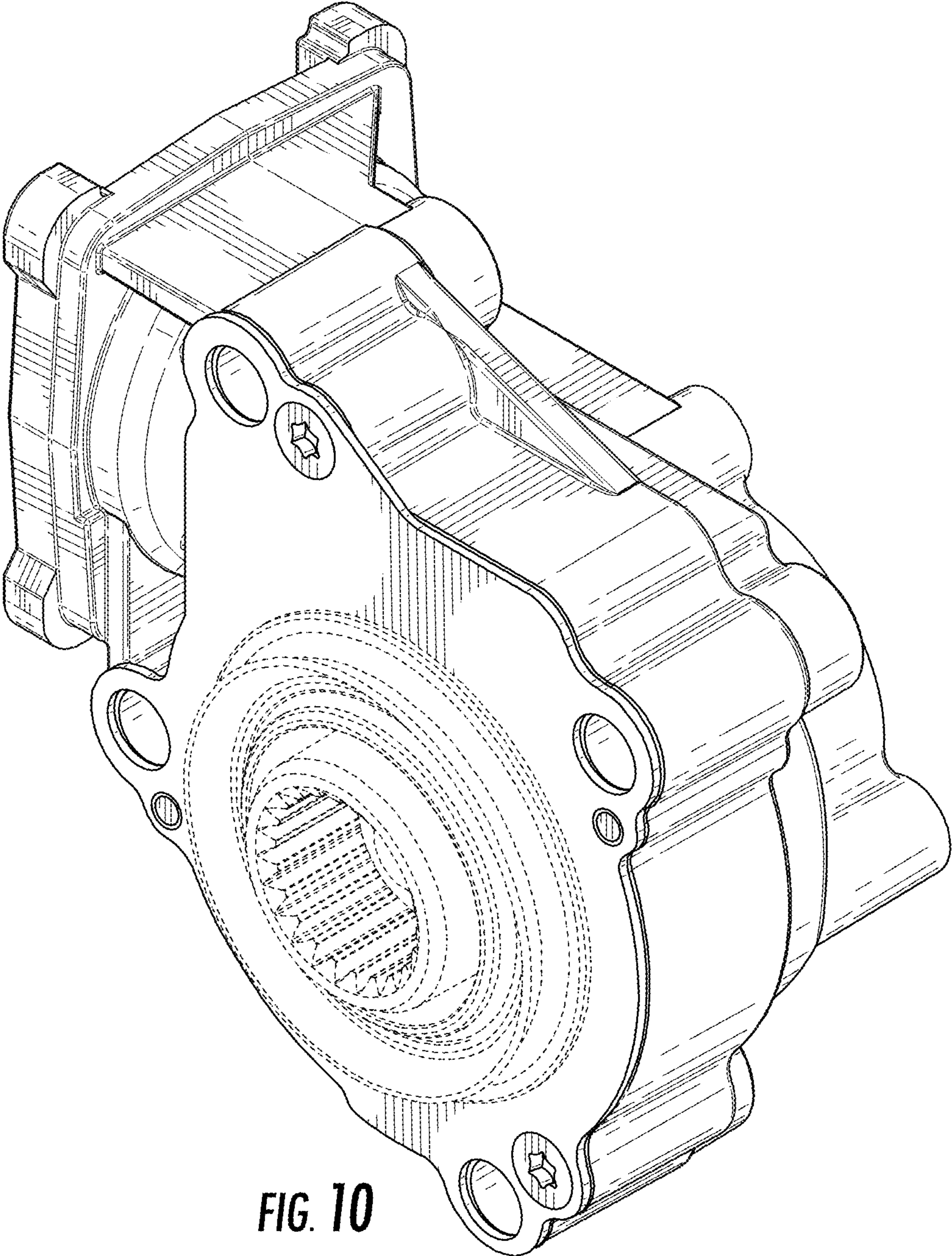


FIG. 10

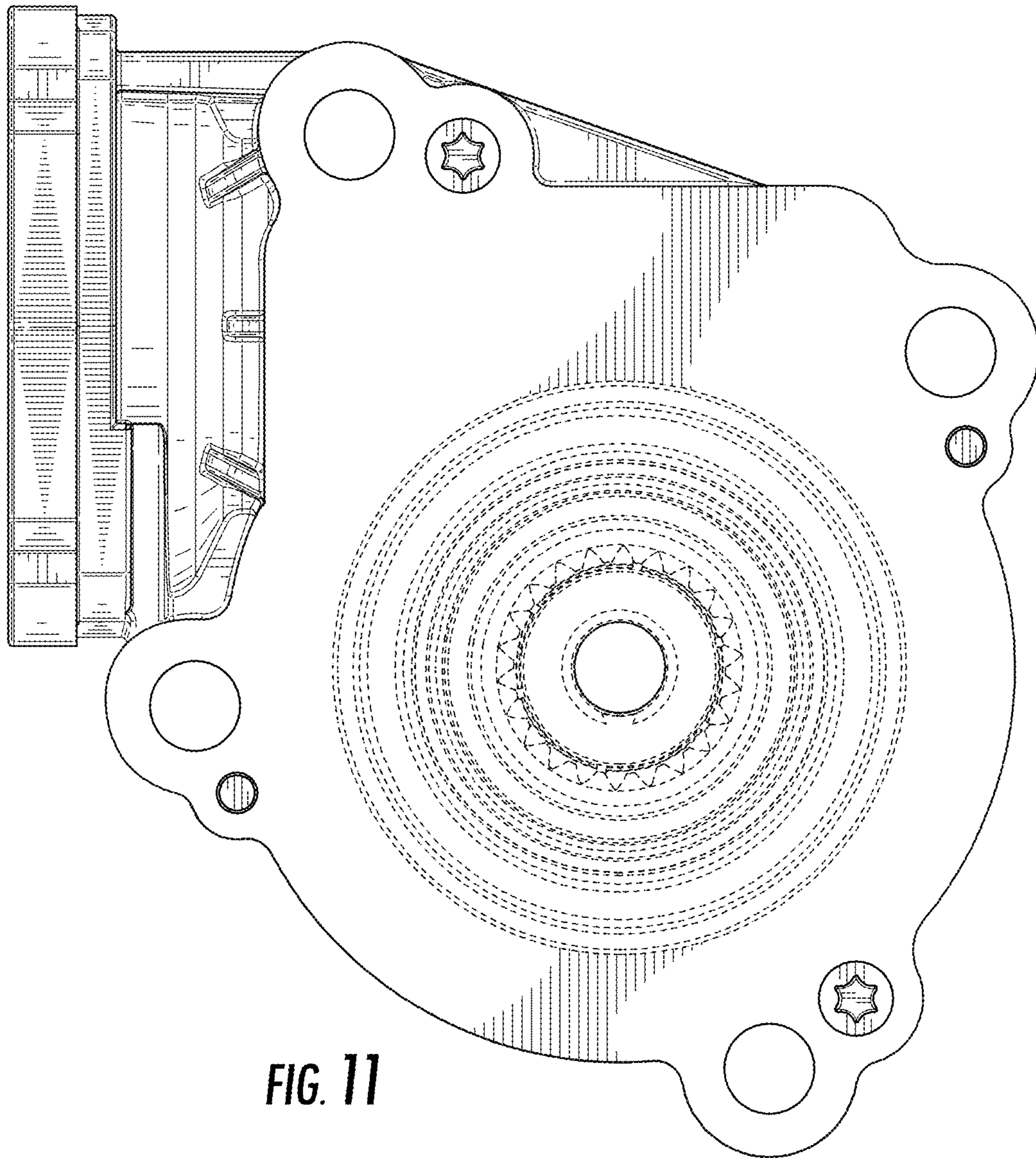
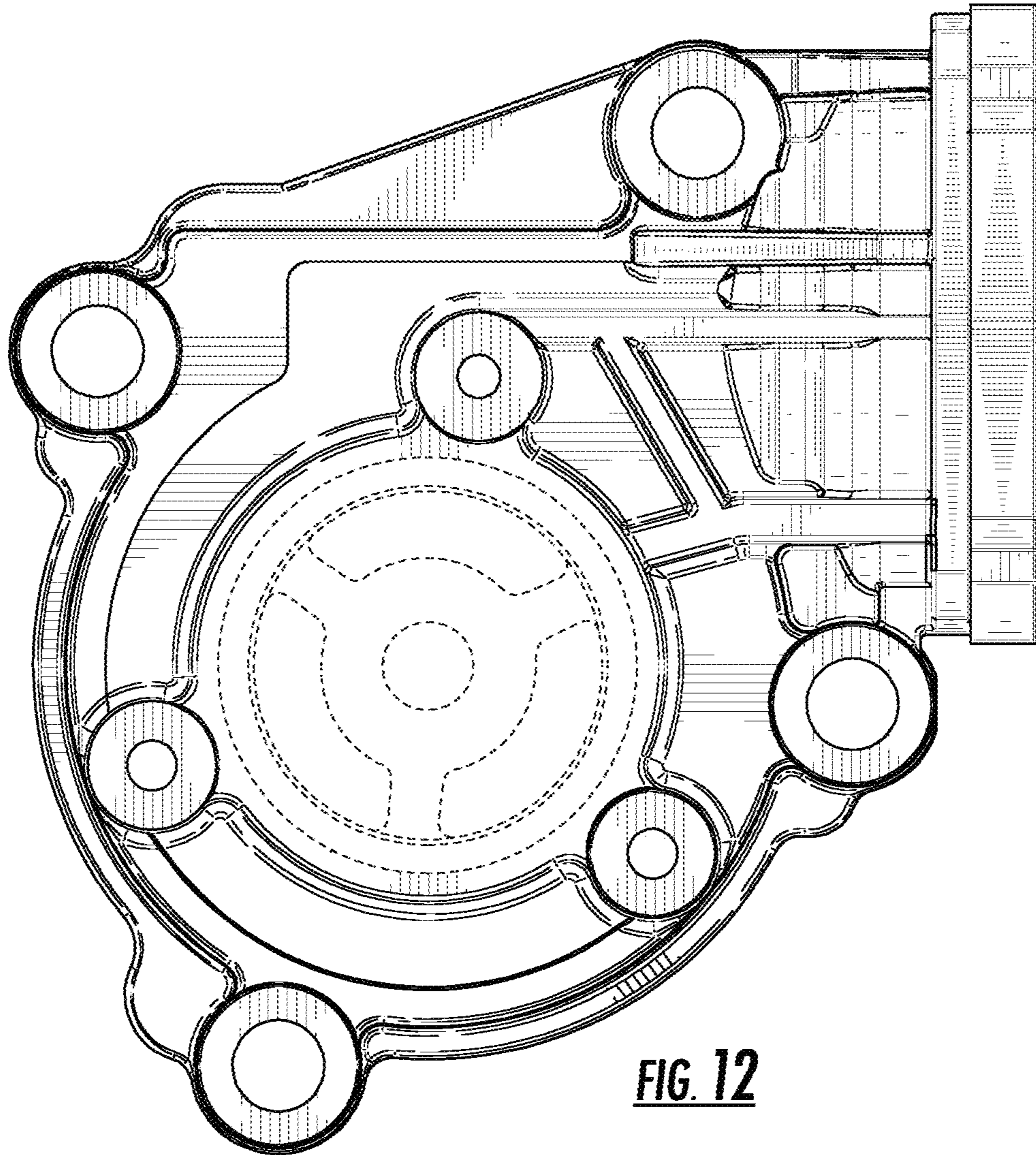


FIG. 11



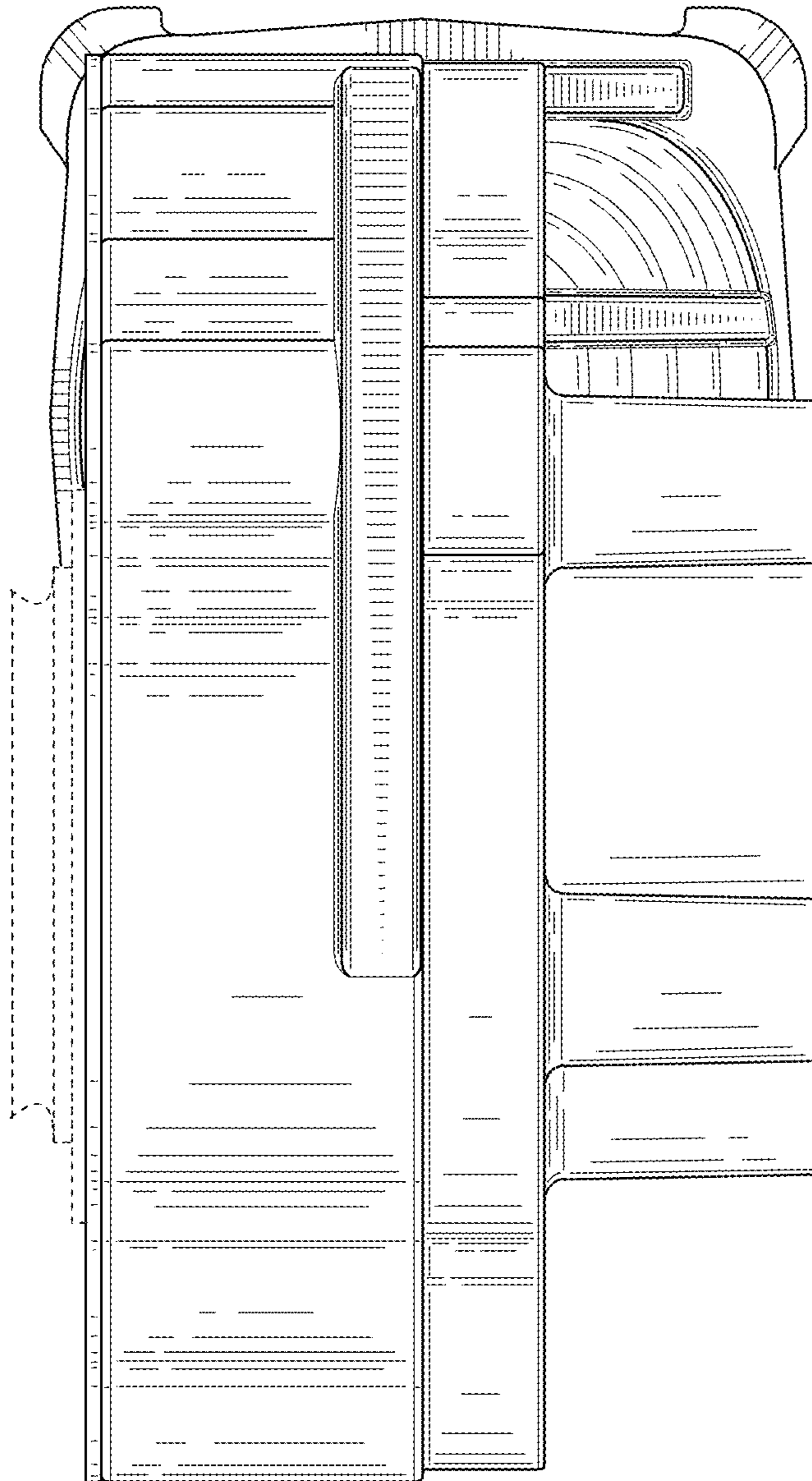


FIG. 13

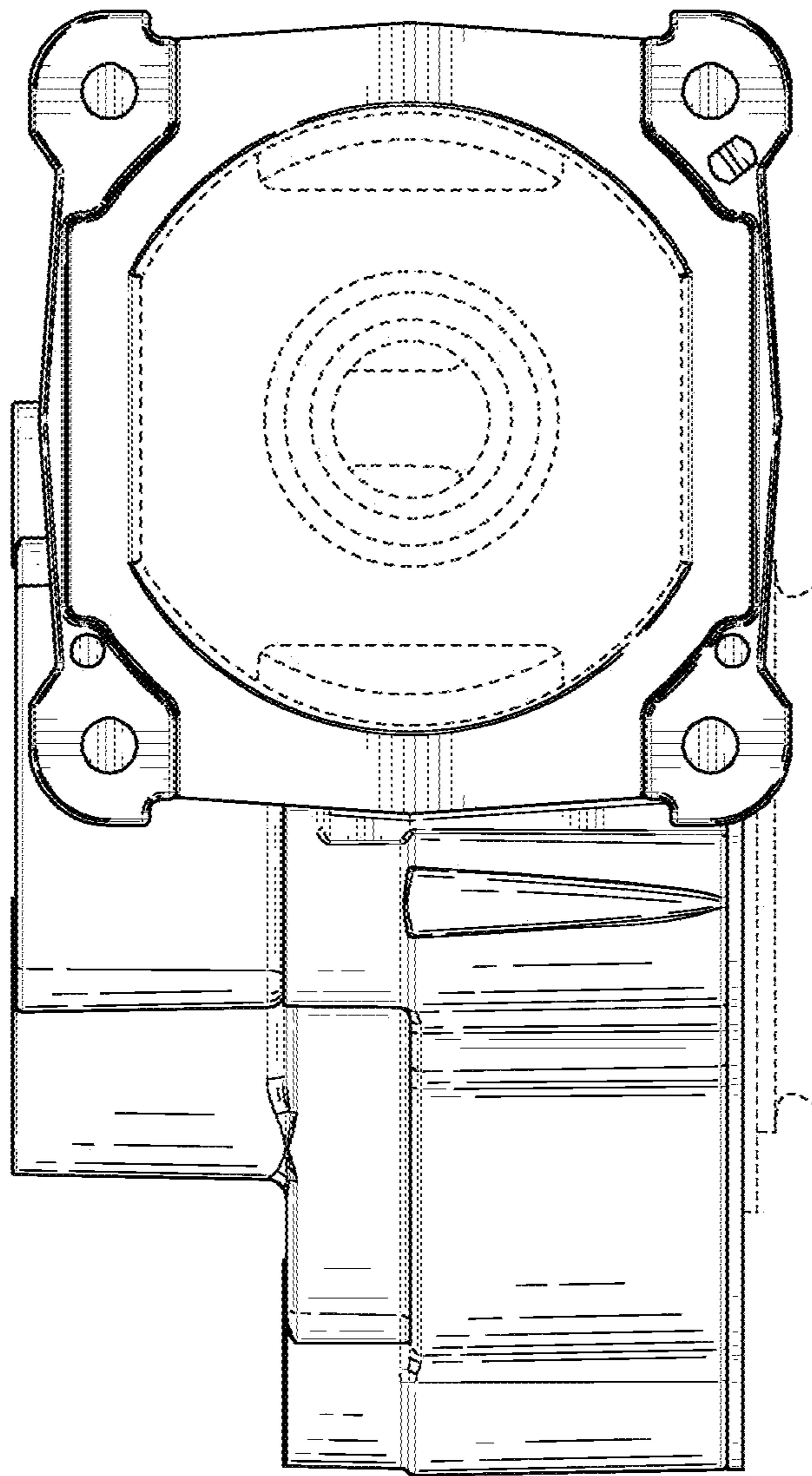


FIG. 14

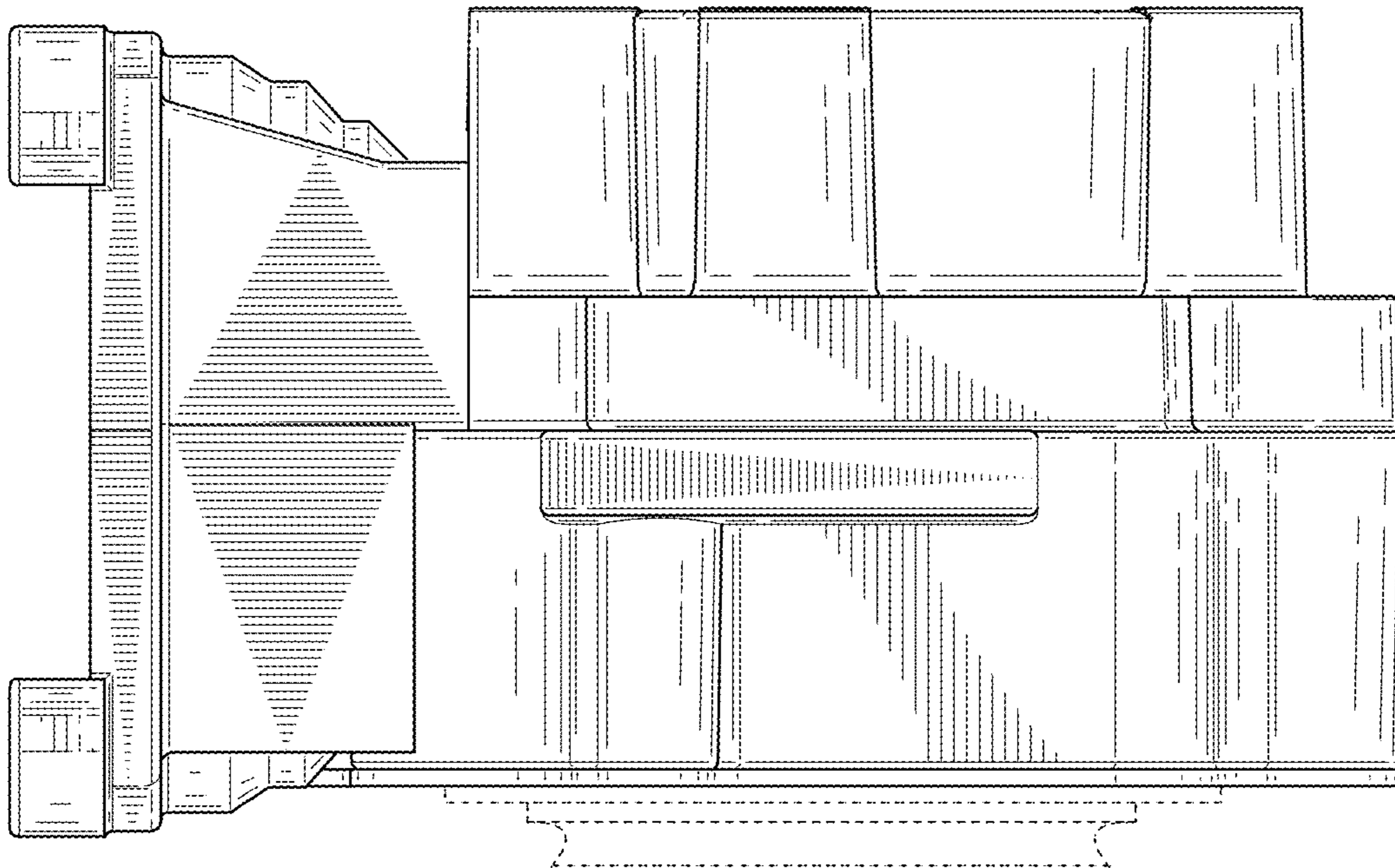


FIG. 15

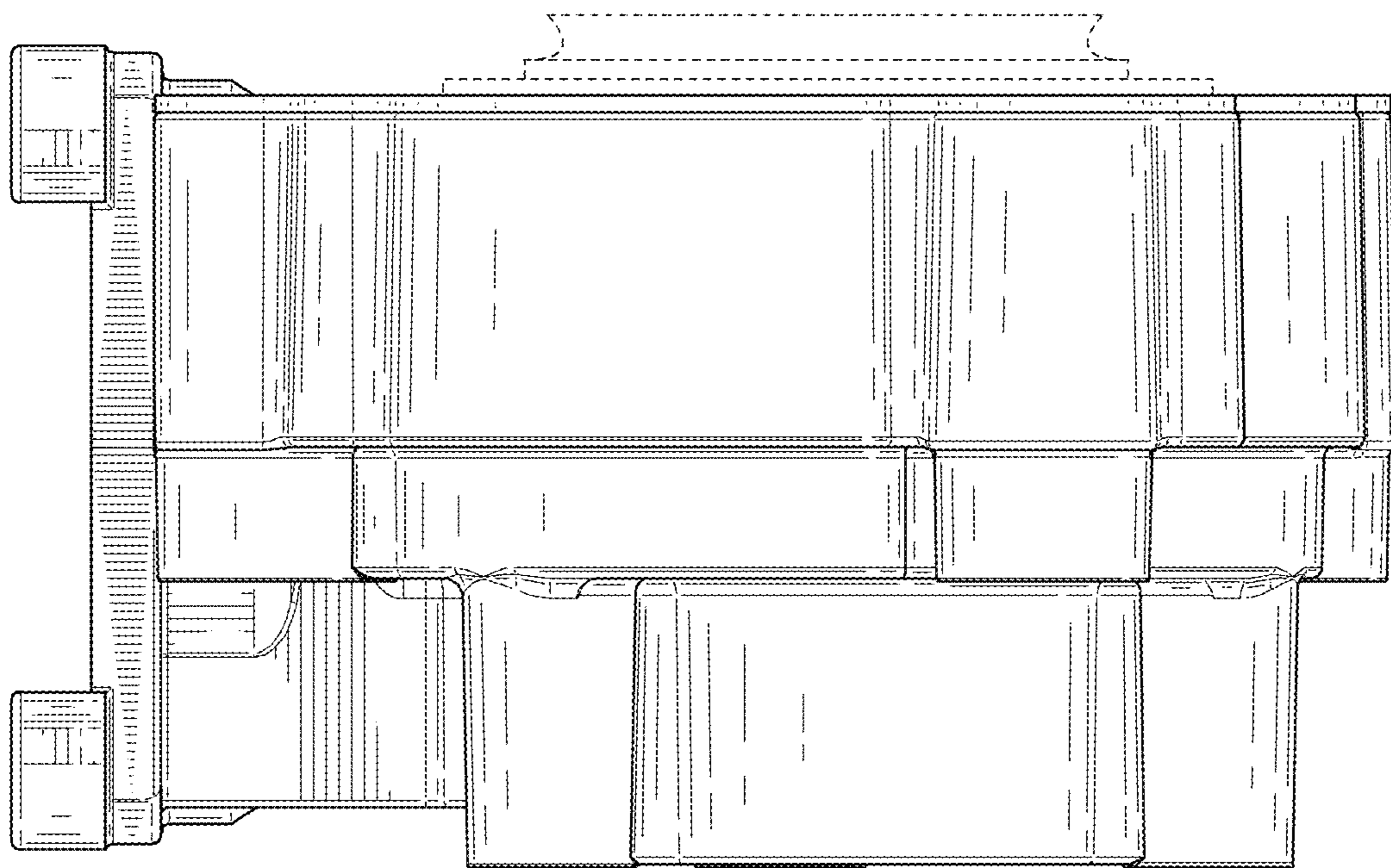


FIG. 16