



US00D934907S

(12) **United States Design Patent** (10) **Patent No.:** **US D934,907 S**  
**Aina** (45) **Date of Patent:** **\*\* Nov. 2, 2021**

(54) **DISPLAY SCREEN WITH ANIMATED GRAPHICAL USER INTERFACE**

*Primary Examiner* — Kathleen L Jones  
(74) *Attorney, Agent, or Firm* — Norris McLaughlin, P.A.

(71) Applicant: **IMPACTIFY S.à.r.l.**, Luxembourg (LU)

(57) **CLAIM**

The ornamental design for a display screen with animated graphical user interface, as shown and described.

(72) Inventor: **Thomas Aina**, Luxembourg (LU)

**DESCRIPTION**

(73) Assignee: **IMPACTIFY S.À.R.L.**, Luxembourg (LU)

(\*\*) Term: **15 Years**

(21) Appl. No.: **35/509,344**

(22) Filed: **Jun. 26, 2019**

(80) **Hague Agreement Data**

Int. Filing Date: **Jun. 26, 2019**  
Int. Reg. No.: **DM/207822**  
Int. Reg. Date: **Jun. 26, 2019**  
Int. Reg. Pub. Date: **May 15, 2020**

Reproduction 1.1 is a front view of a first image in a sequence of the first embodiment of a display screen with animated graphical user interface;

Reproduction 1.2 is a front view of a second image thereof;

Reproduction 1.3 is a front view of a third image thereof;

Reproduction 1.4 is a front view of a fourth image thereof;

Reproduction 2.1 is a front view of a first image in a sequence of the second embodiment of a display screen with animated graphical user interface;

Reproduction 2.2 is a front view of a second image thereof;

Reproduction 2.3 is a front view of a third image thereof;

Reproduction 2.4 is a front view of a fourth image thereof;

Reproduction 3.1 is a front view of a first image in a sequence of the third embodiment of a display screen with animated graphical user interface;

Reproduction 3.2 is a front view of a second image thereof;

Reproduction 3.3 is a front view of a third image thereof;

Reproduction 3.4 is a front view of a fourth image thereof;

Reproduction 7.1 is a front view of a first image in a sequence of the fourth embodiment of a display screen with animated graphical user interface;

Reproduction 7.2 is a front view of a second image thereof;

Reproduction 7.3 is a front view of a third image thereof;

Reproduction 7.4 is a front view of a fourth image thereof;

Reproduction 8.1 is a front view of a first image in a sequence of the fifth embodiment of a display screen with animated graphical user interface;

Reproduction 8.2 is a front view of a second image thereof;

Reproduction 8.3 is a front view of a third image thereof;

Reproduction 8.4 is a front view of a fourth image thereof;

Reproduction 9.1 is a front view of a first image in a sequence of the sixth embodiment of a display screen with animated graphical user interface;

Reproduction 9.2 is a front view of a second image thereof;

(51) **LOC (13) Cl.** ..... **14-04**

(52) **U.S. Cl.**  
USPC ..... **D14/487**

(58) **Field of Classification Search**  
USPC ..... **D14/485–495**

(Continued)

(56) **References Cited**

**U.S. PATENT DOCUMENTS**

D658,676 S \* 5/2012 Gleasman ..... D14/488  
D658,677 S \* 5/2012 Gleasman ..... D14/488

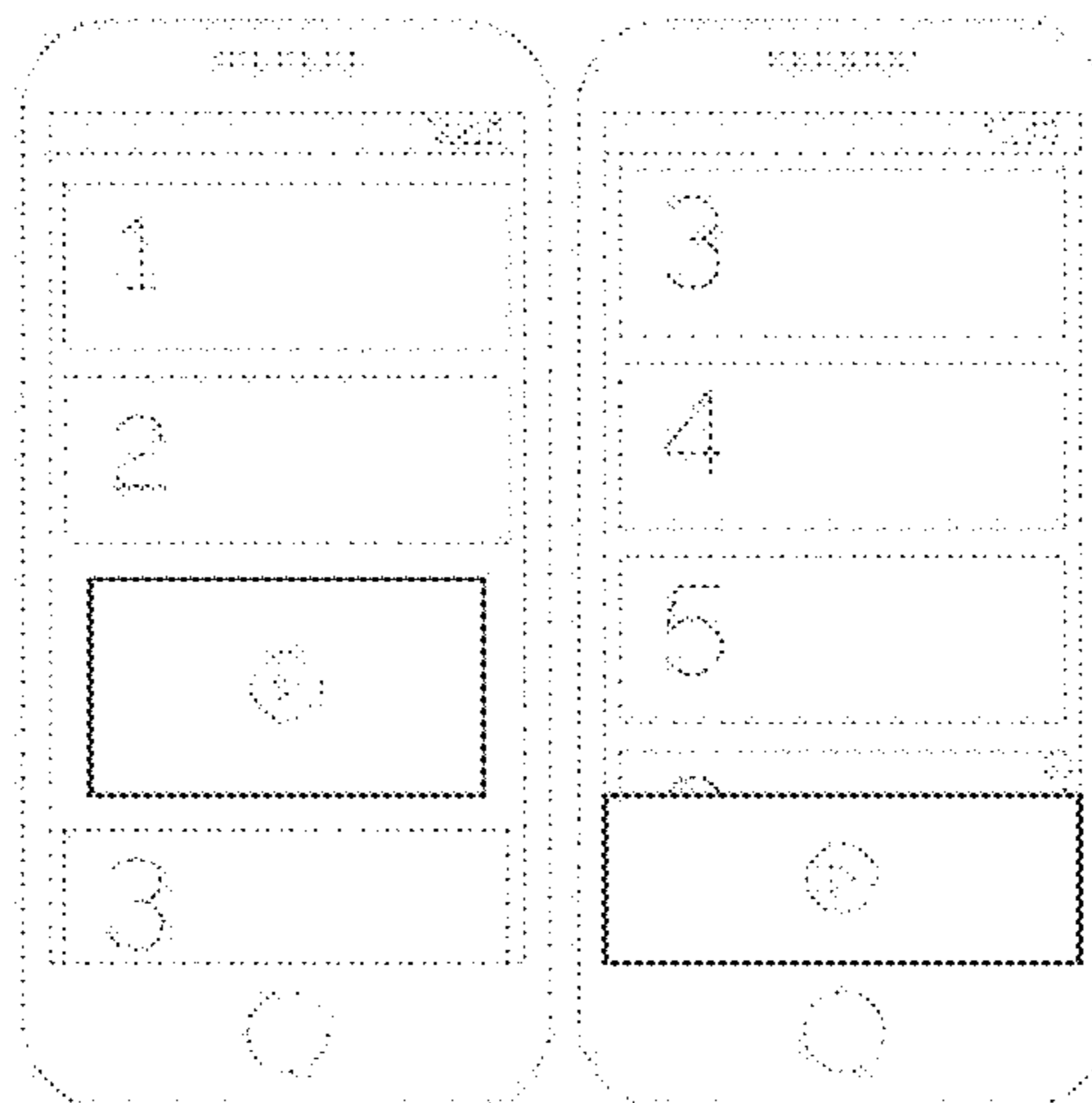
(Continued)

**OTHER PUBLICATIONS**

Kang, You-Jin et al., Korean design No. 300944195, published at Orbit, publication date Feb. 13, 2018. Site visited Apr. 21, 2021. Available from Internet. (Year: 2018).\*

(Continued)

(Continued)



Reproduction 9.3 is a front view of a third image thereof; and

Reproduction 9.4 is a front view of a fourth image thereof. The appearance of the display screen with animated graphical user interface sequentially transitions between the images shown in Reproductions 1.1-1.4, 2.1-2.4, 3.1-3.4, 7.1-7.4, 8.1-8.4, and 9.1-9.4.

The process or period in which an image transitions to another image forms no part of the claimed design.

The broken lines depicting an electronic device, display screen, and portions of the graphical user interface, including but not limited to all text and icons, illustrate environmental structure and portions of the article and form no part of the claimed design.

**1 Claim, 24 Drawing Sheets**

(58) **Field of Classification Search**

CPC ..... G06Q 50/01; G06Q 30/0601; G06Q 30/0641; H04L 51/32; G06F 3/0481; H04N 1/0044; H04N 1/00196  
See application file for complete search history.

(56) **References Cited**

U.S. PATENT DOCUMENTS

D662,942	S	*	7/2012	Trabona	.....	D14/488
D664,561	S	*	7/2012	Gleasant	.....	D14/488
D664,967	S	*	8/2012	Lee	.....	D14/485
D664,972	S	*	8/2012	Gleasant	.....	D14/486
D668,262	S	*	10/2012	Gleasant	.....	D14/488
D673,168	S	*	12/2012	Frijlink	.....	D14/487
D695,777	S	*	12/2013	Edwards	.....	D14/488
D695,778	S	*	12/2013	Edwards	.....	D14/488
D695,779	S	*	12/2013	Edwards	.....	D14/488
D716,339	S	*	10/2014	Lee	.....	D14/488
D735,742	S	*	8/2015	Lee	.....	D14/486
D735,744	S	*	8/2015	Hwang	.....	D14/486
D736,247	S	*	8/2015	Chen	.....	D14/488
D743,998	S	*	11/2015	Auyeung	.....	D14/488
D744,000	S	*	11/2015	Villamor	.....	D14/488
D746,323	S	*	12/2015	Gray	.....	D14/488
D747,742	S	*	1/2016	Fan	.....	D14/494
D753,703	S	*	4/2016	Villamor	.....	D14/488
D753,706	S	*	4/2016	Xiong	.....	D14/488
D753,709	S	*	4/2016	Kawanabe	.....	D14/488
D754,688	S	*	4/2016	Chaudhri	.....	D14/486

D754,718	S	*	4/2016	Zhou	.....	D14/488
D757,056	S	*	5/2016	Ryan	.....	D14/486
D757,086	S	*	5/2016	Kang	.....	D14/488
D757,090	S	*	5/2016	Myung	.....	D14/488
D765,108	S	*	8/2016	Heinrich	.....	D14/486
D768,649	S	*	10/2016	Sanderson	.....	D14/485
D769,295	S	*	10/2016	Han	.....	D14/486
D770,513	S	*	11/2016	Choi	.....	D14/487
D804,521	S	*	12/2017	Deets, Jr.	.....	D14/488
D809,003	S	*	1/2018	Sowden	.....	D14/488
D813,890	S	*	3/2018	Pitman	.....	D14/486
D815,144	S	*	4/2018	Feng	.....	D14/488
D823,870	S	*	7/2018	Yan	.....	D14/486
D826,979	S	*	8/2018	Rowny	.....	D14/488
D828,852	S	*	9/2018	Park	.....	D14/486
D834,602	S	*	11/2018	Bao	.....	D14/486
D841,025	S	*	2/2019	King	.....	D14/485
D851,673	S	*	6/2019	Wu	.....	D14/488
D859,450	S	*	9/2019	Krishna	.....	D14/486
D864,991	S	*	10/2019	Seo	.....	D14/488
D875,123	S	*	2/2020	Ji	.....	D14/486
D880,491	S	*	4/2020	Park	.....	D14/485
D881,221	S	*	4/2020	Chen	.....	D14/486
D882,602	S	*	4/2020	Bessette	.....	D14/486
D884,721	S	*	5/2020	Lunaparra	.....	D14/486
D885,421	S	*	5/2020	Lunaparra	.....	D14/486
D897,364	S	*	9/2020	Kawaichi	.....	D14/486
10,852,915	B1	*	12/2020	Behzadi	..... H04M 1/72454	
D913,331	S	*	3/2021	Lee	.....	D14/492
D916,884	S	*	4/2021	Dascola	.....	D14/488
D918,230	S	*	5/2021	Lee	.....	D14/485
11,042,265	B2	*	6/2021	Walkin	..... G06F 3/04845	
2018/0121031	A1	*	5/2018	Ta	..... G09B 5/125	
2018/0157381	A1	*	6/2018	Jung	..... H04L 51/32	

OTHER PUBLICATIONS

Rahimi, Ehsan, Music Playlist App Interaction, posted at dribbble, posting date May 30, 2018. Site visited Apr. 24, 2021. URL: <<https://dribbble.com/shots/4650389-Music-Playlist-App-Interaction>> (Year: 2018).\*

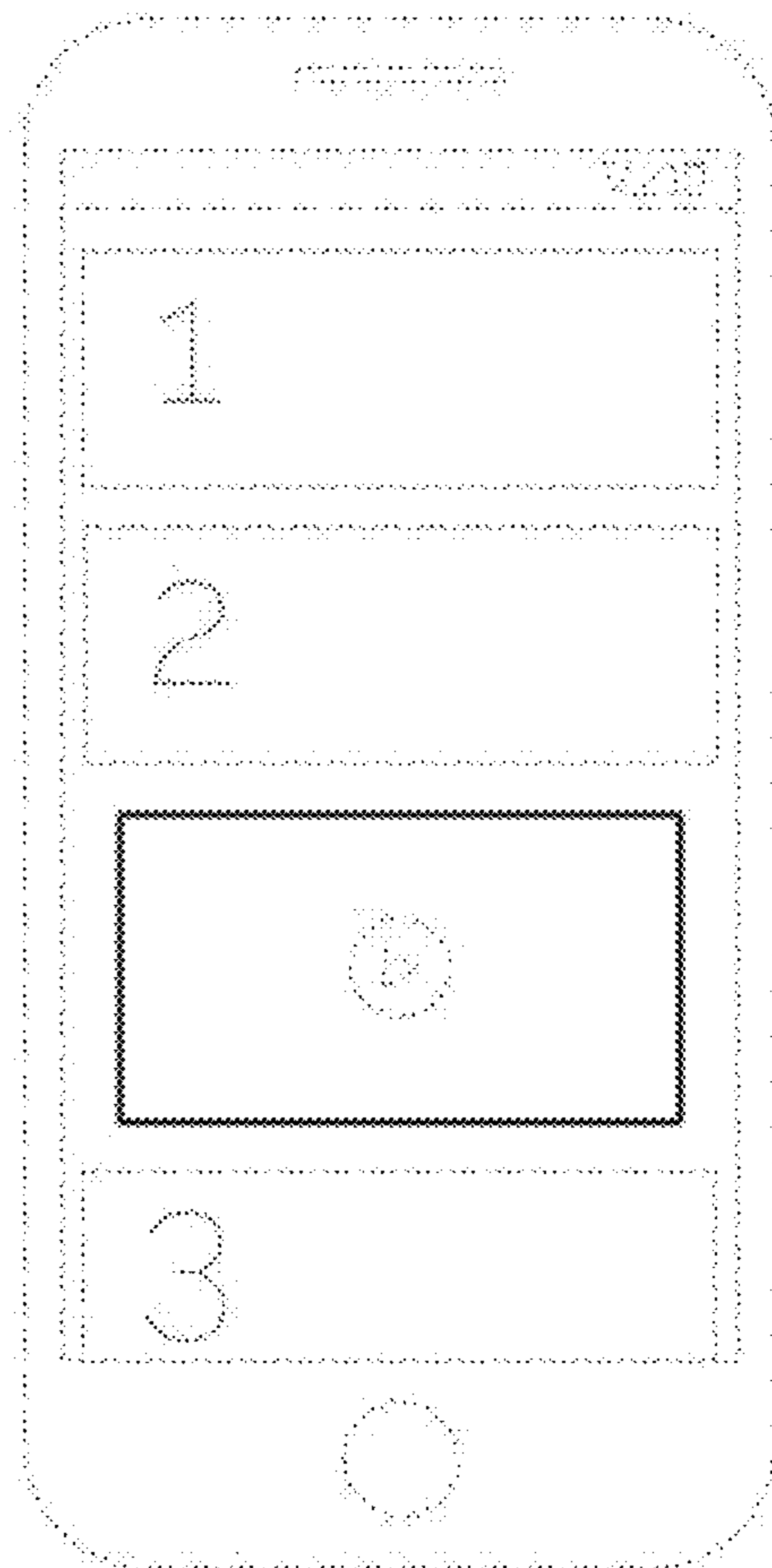
Ries, Vilem, Wander app, posted at dribbble, posting date Oct. 16, 2018. Site visited Apr. 24, 2021. URL: <<https://dribbble.com/shots/5402223-Wander-app-interactions-2>> (Year: 2018).\*

Meng, Jianjiang, Chinese design No. 304473196, posted at Orbit, publication date Jan. 23, 2018. Site visited Apr. 21, 2021. Available from Internet. (Year: 2018).\*

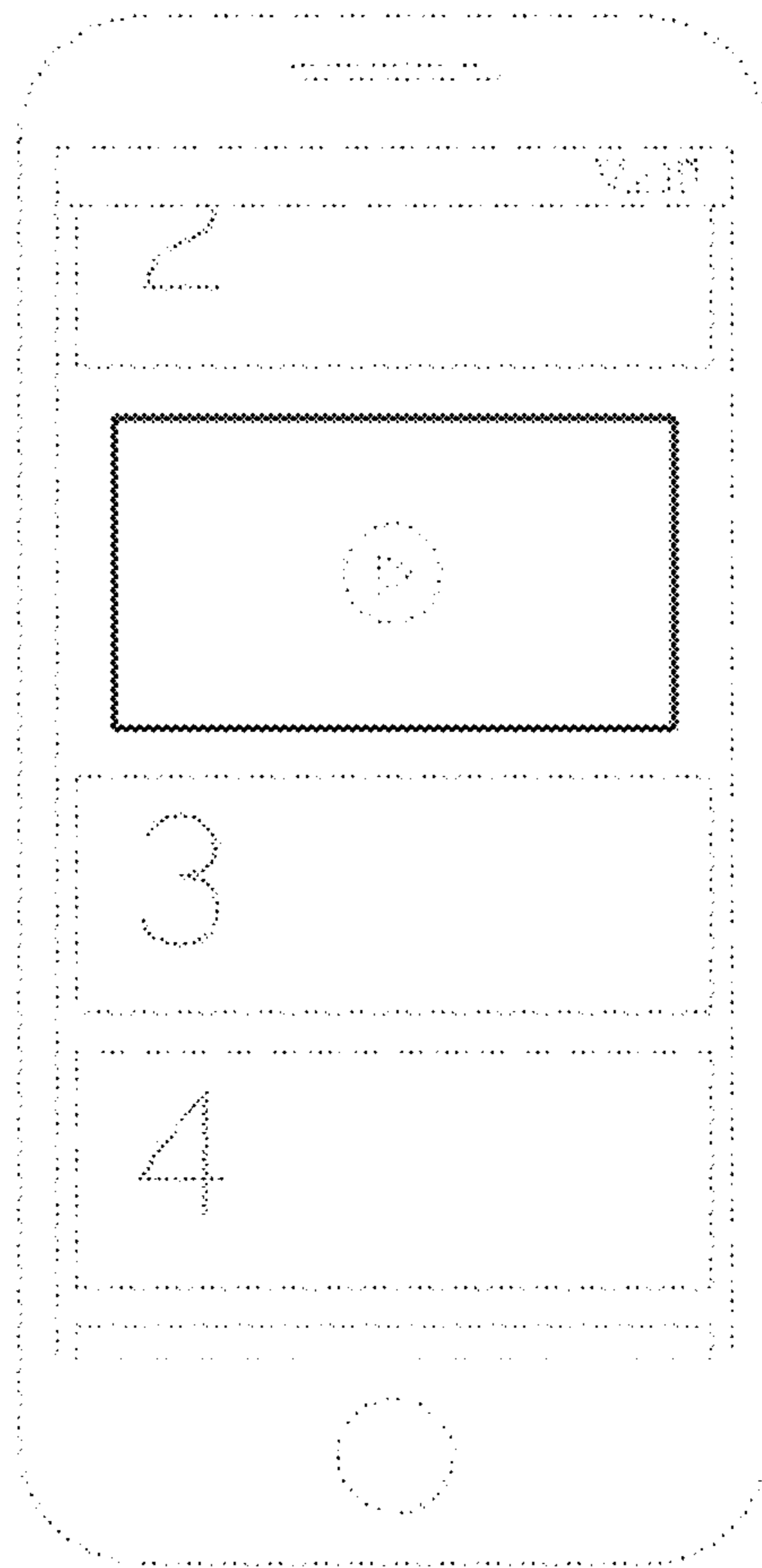
Lin, Zhipeng, Chinese design No. 304593332, published at Orbit, publication date Apr. 20, 2018. Site visited Apr. 21, 2021. Available from Internet. (Year: 2018).\*

\* cited by examiner

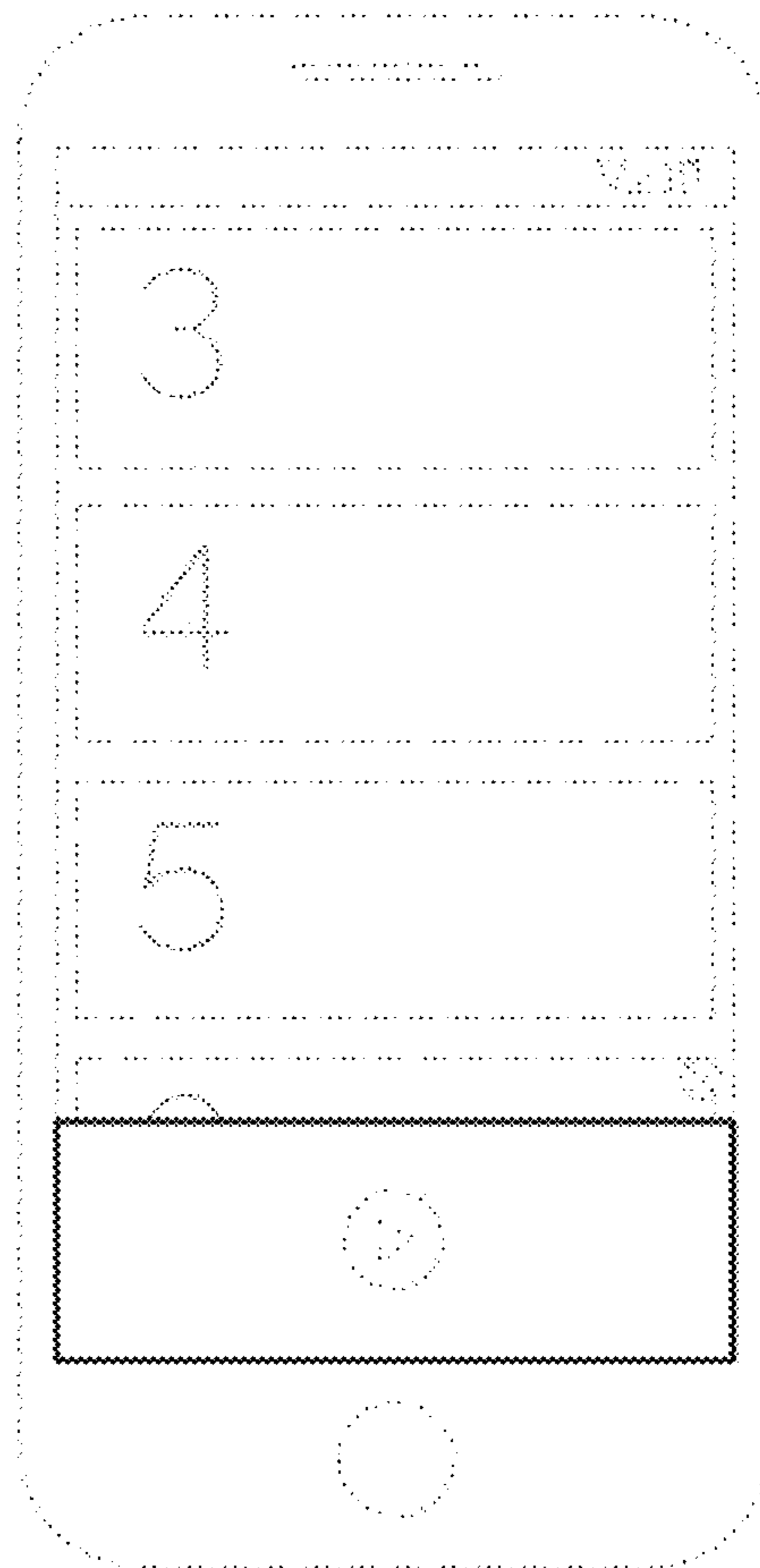
**1.1**



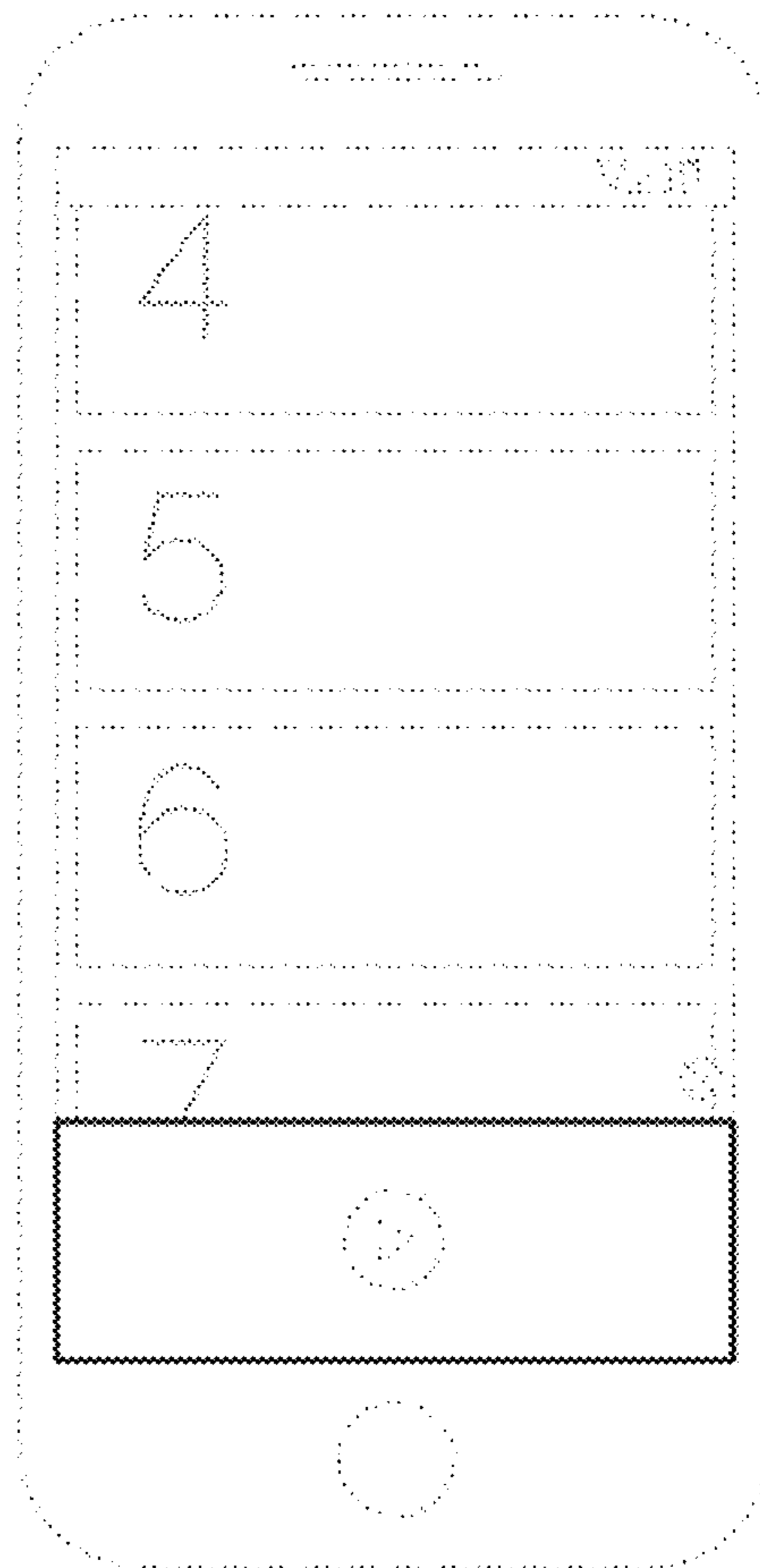
1.2



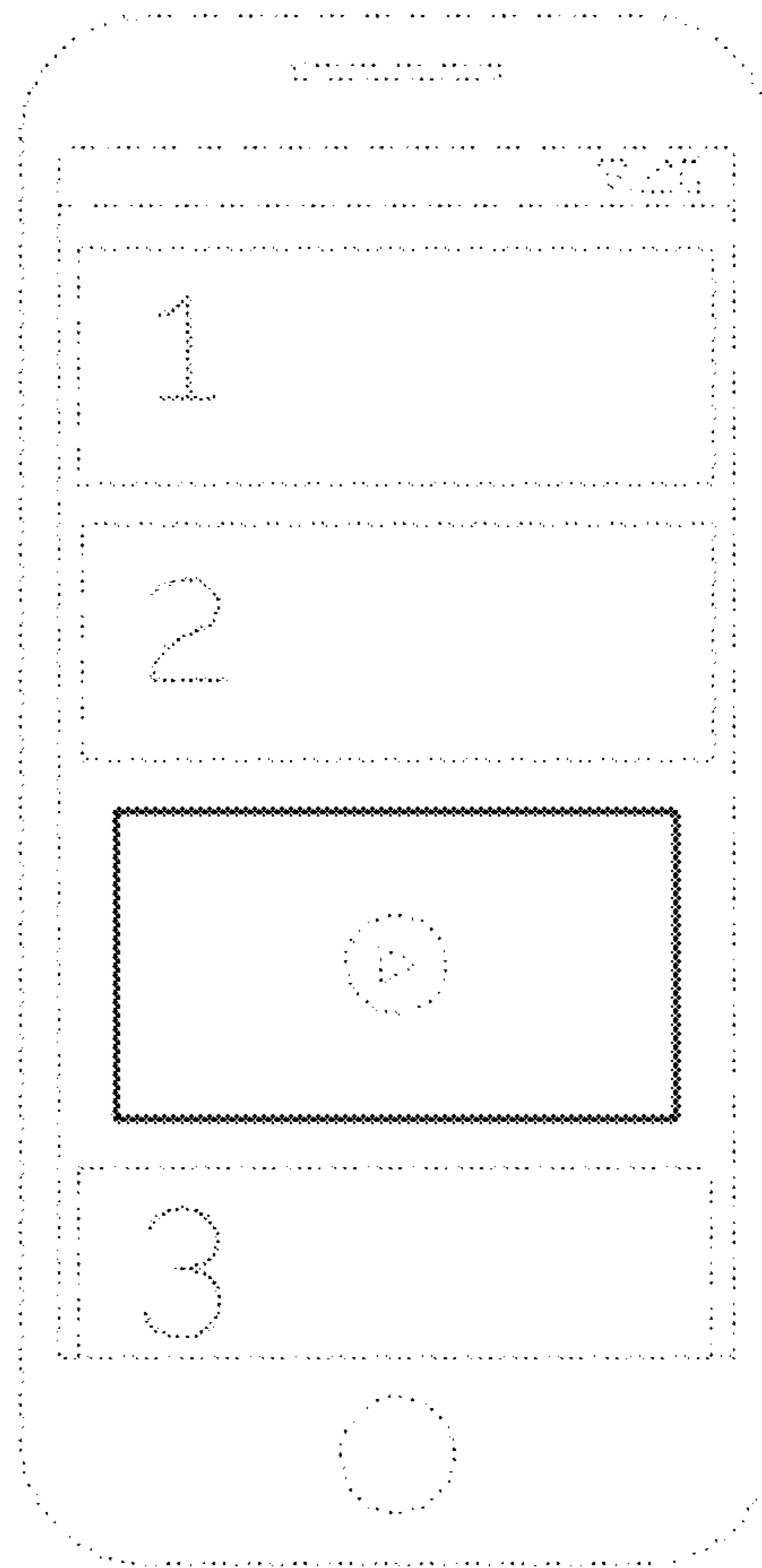
1.3



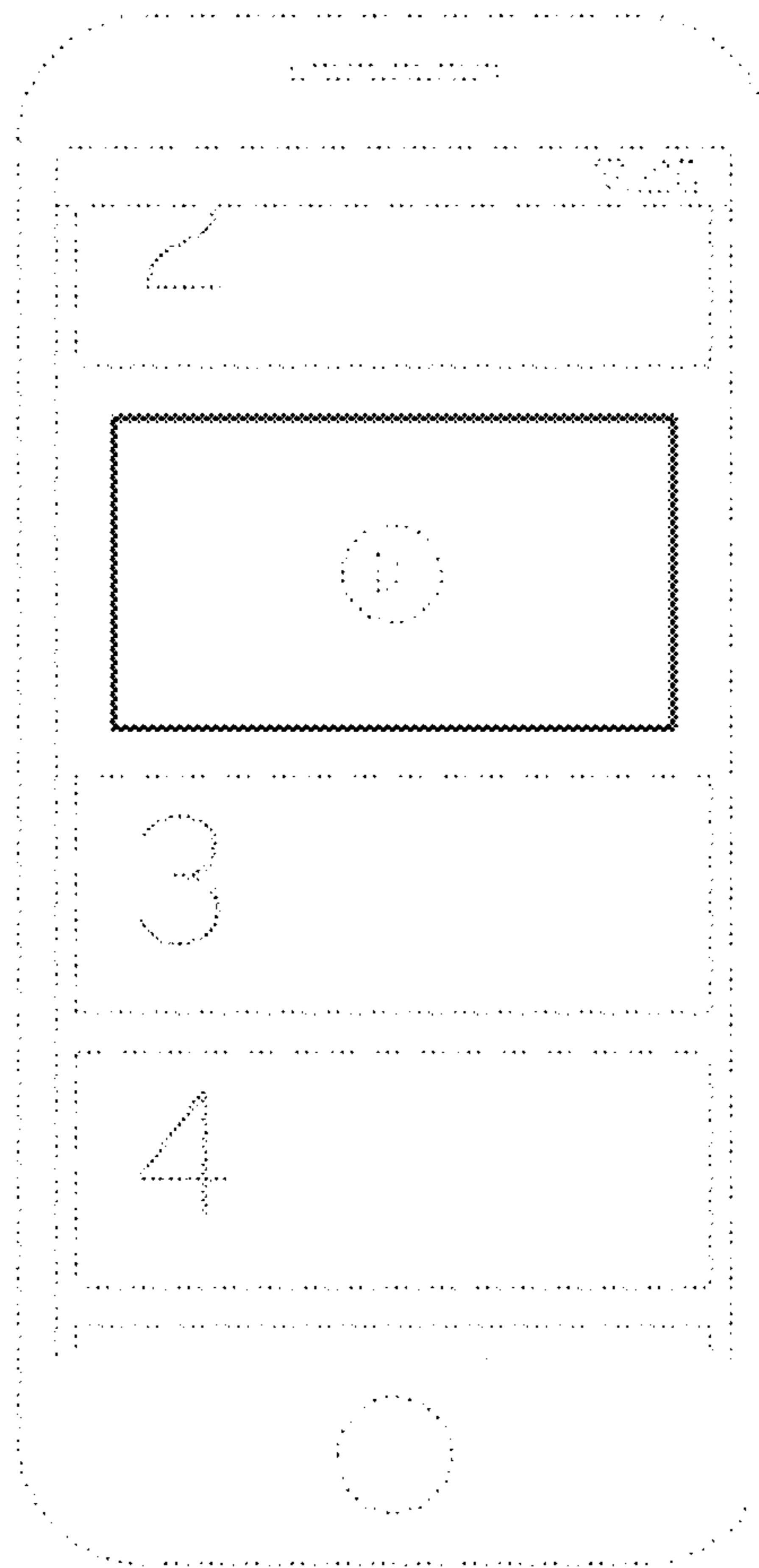
1.4



# 2.1

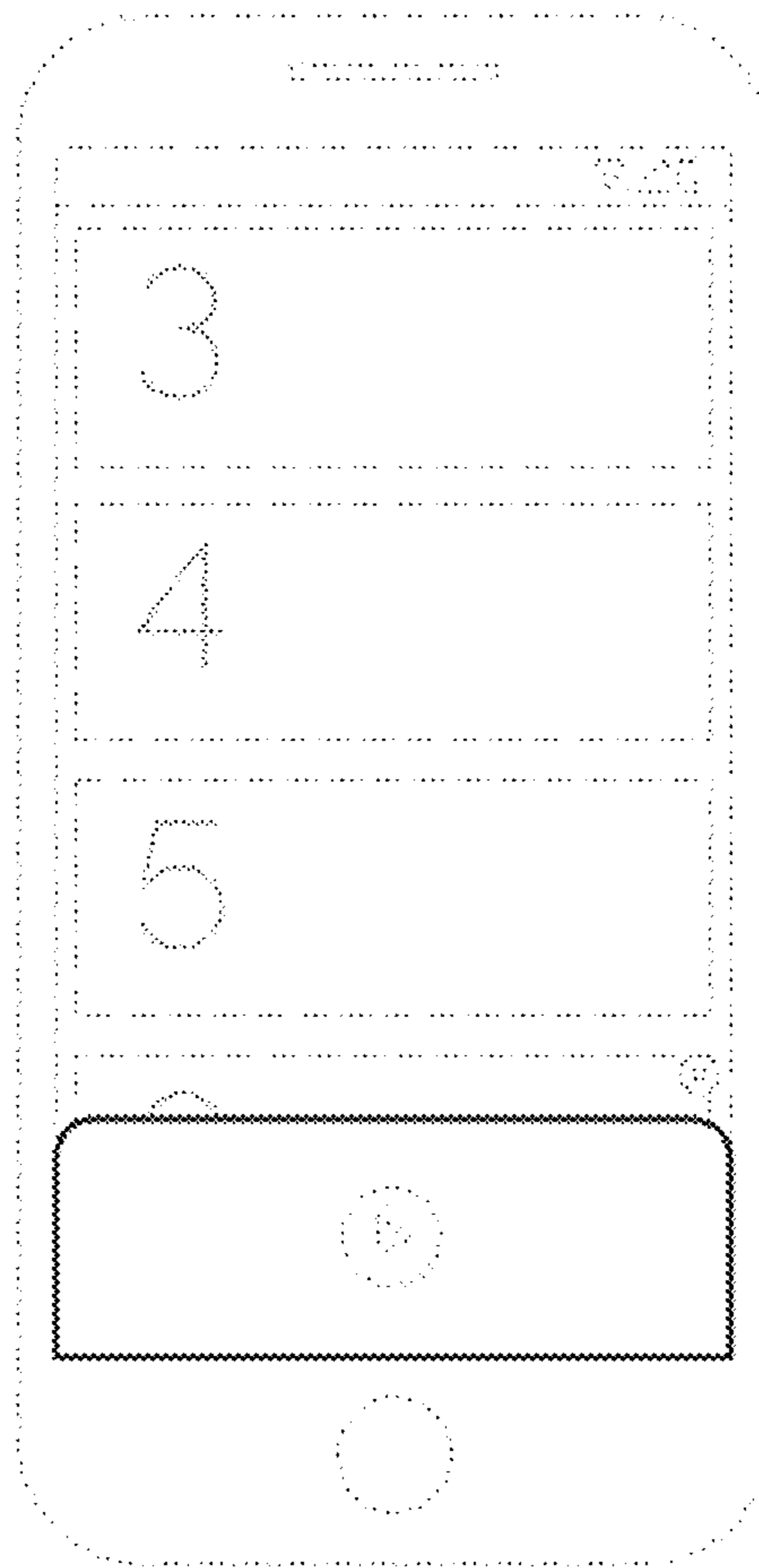


# 2.2

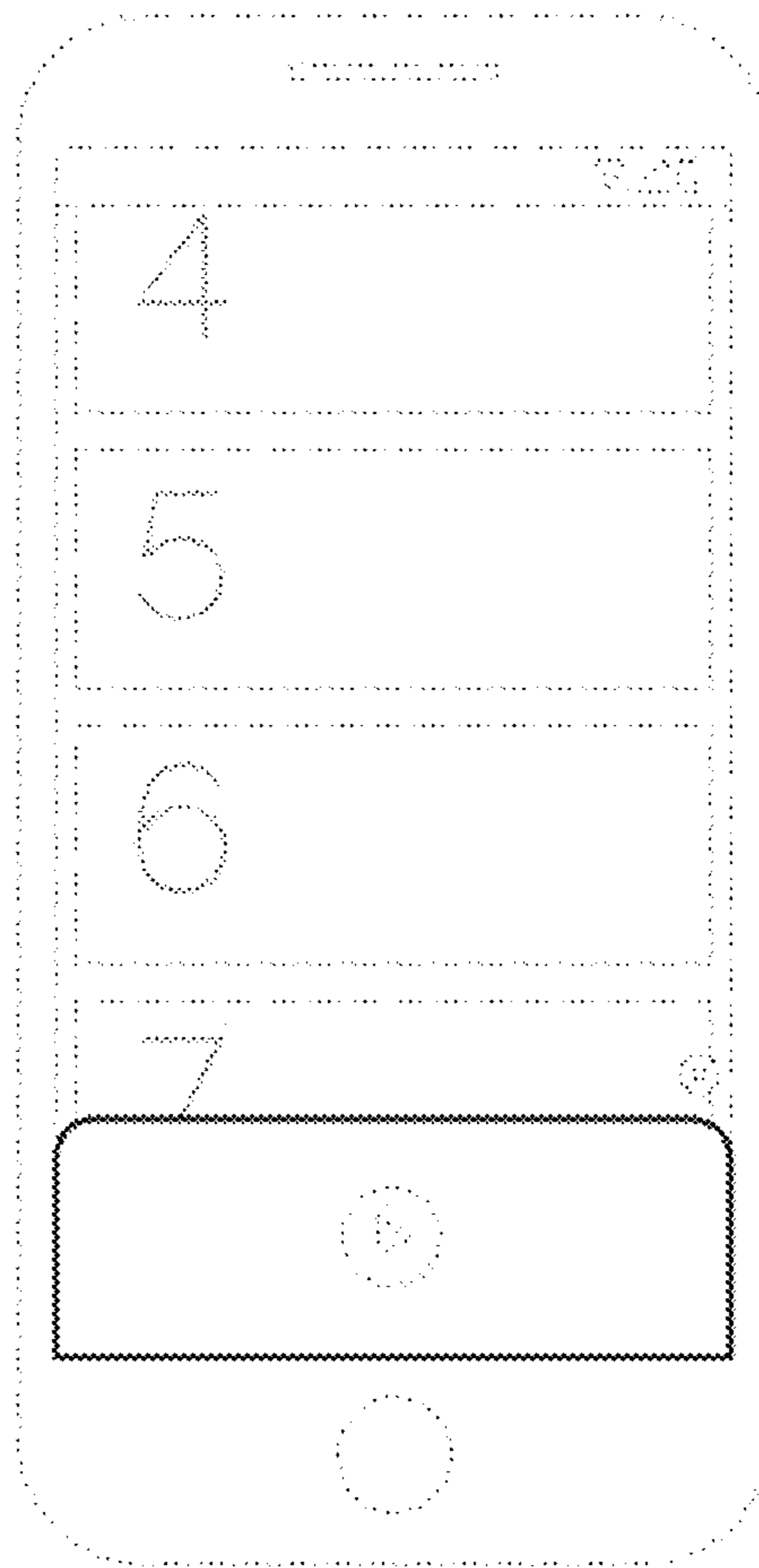




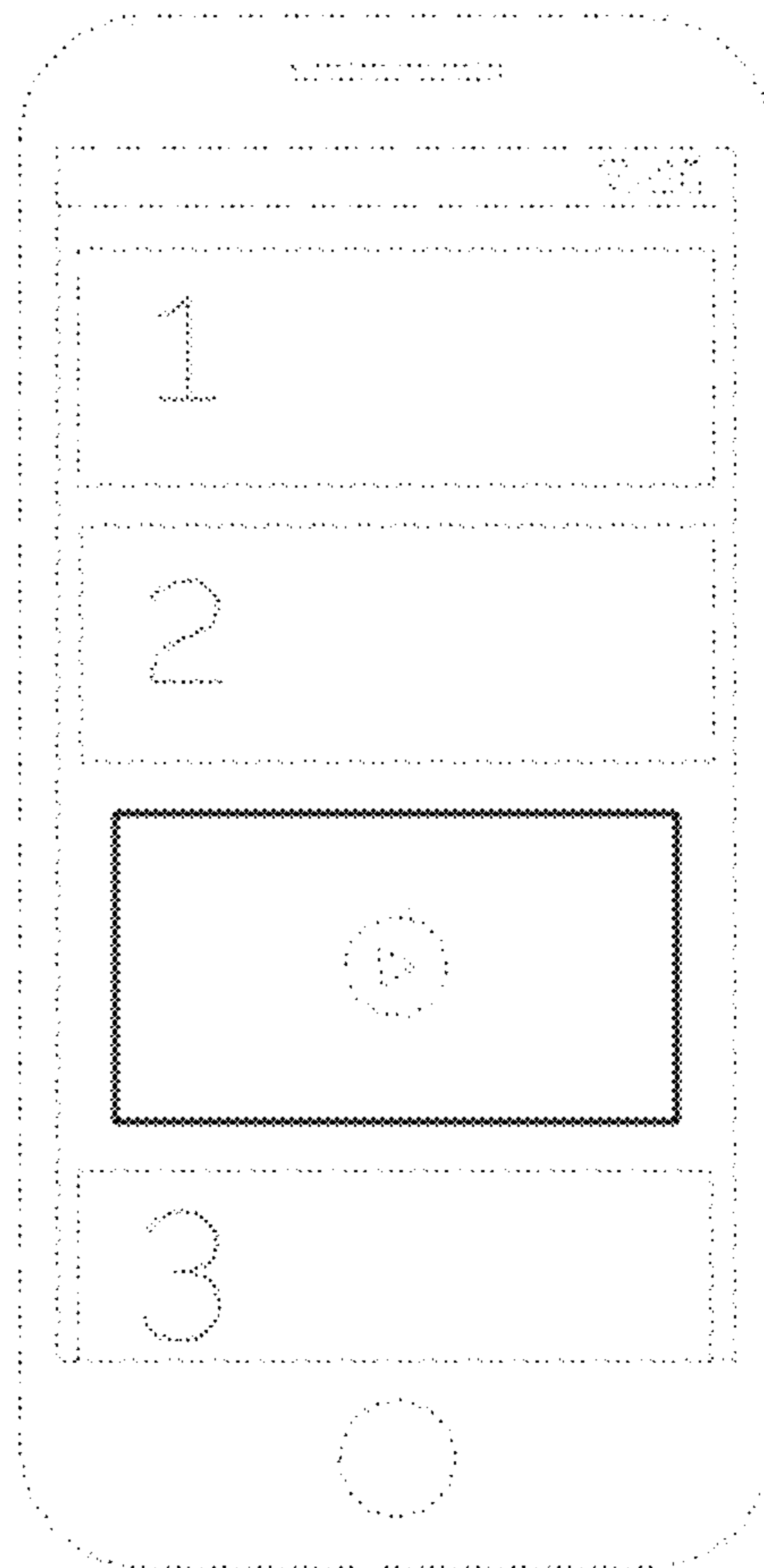
# 2.3



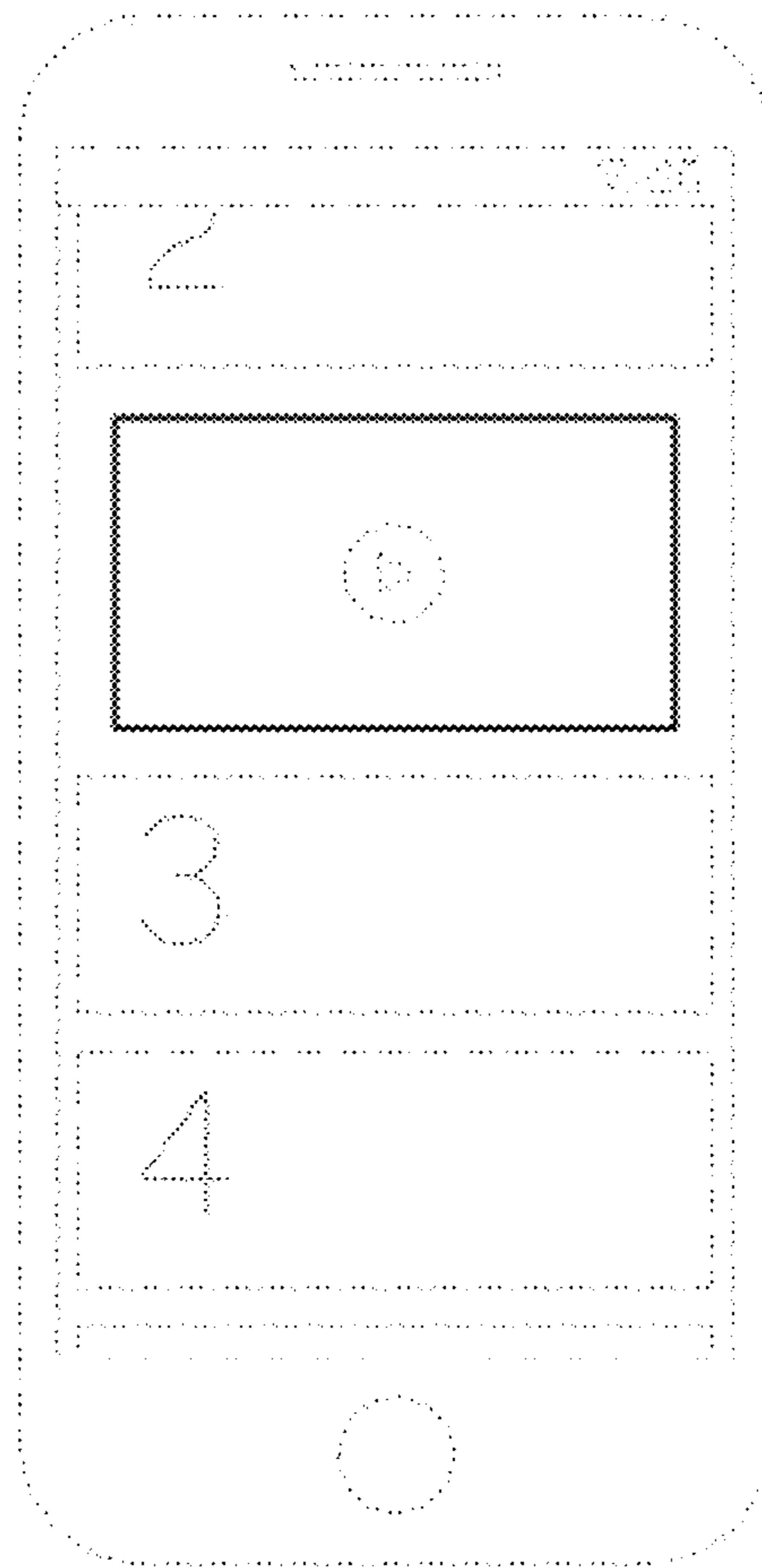
# 2.4



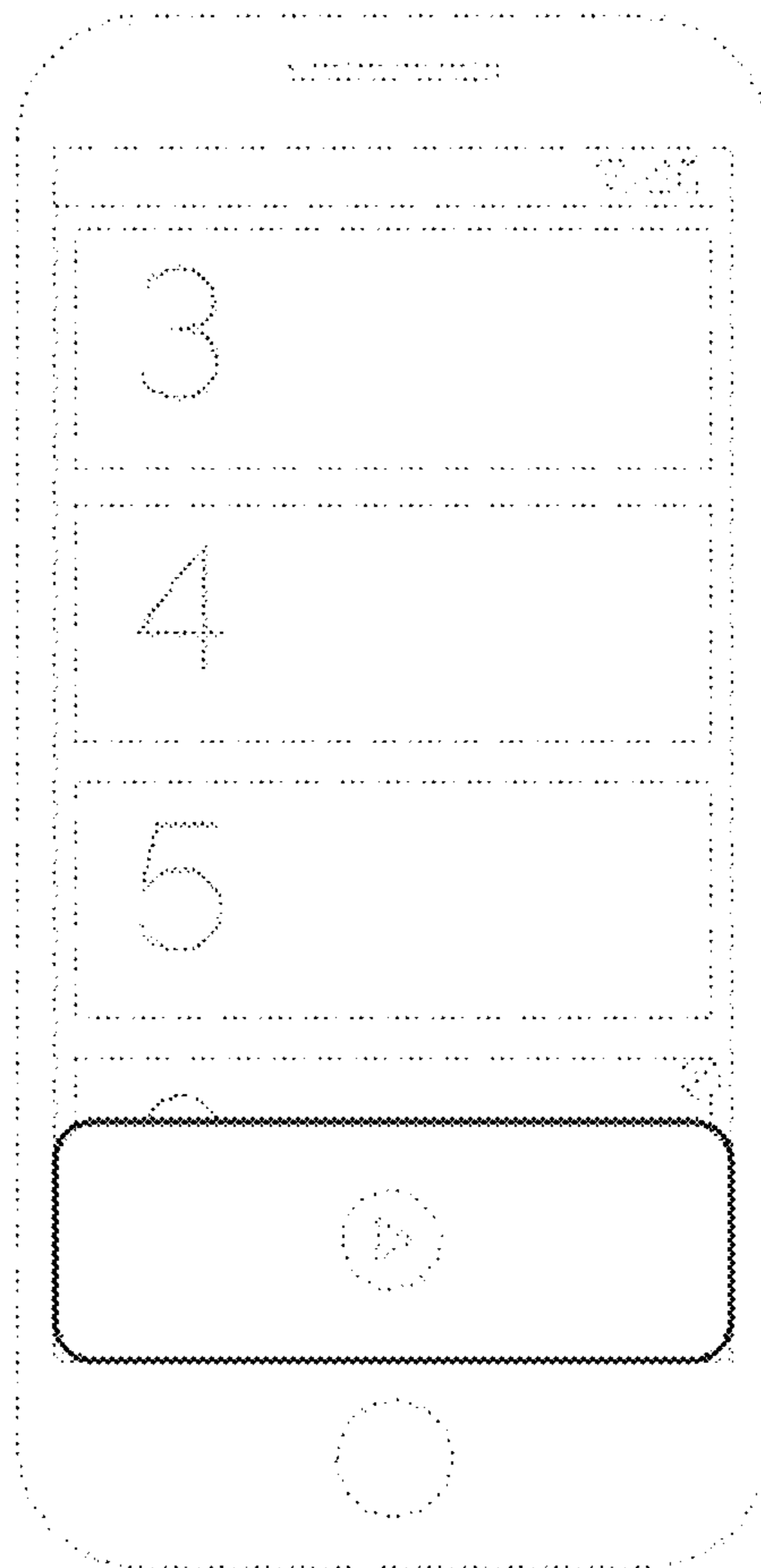
# 3.1



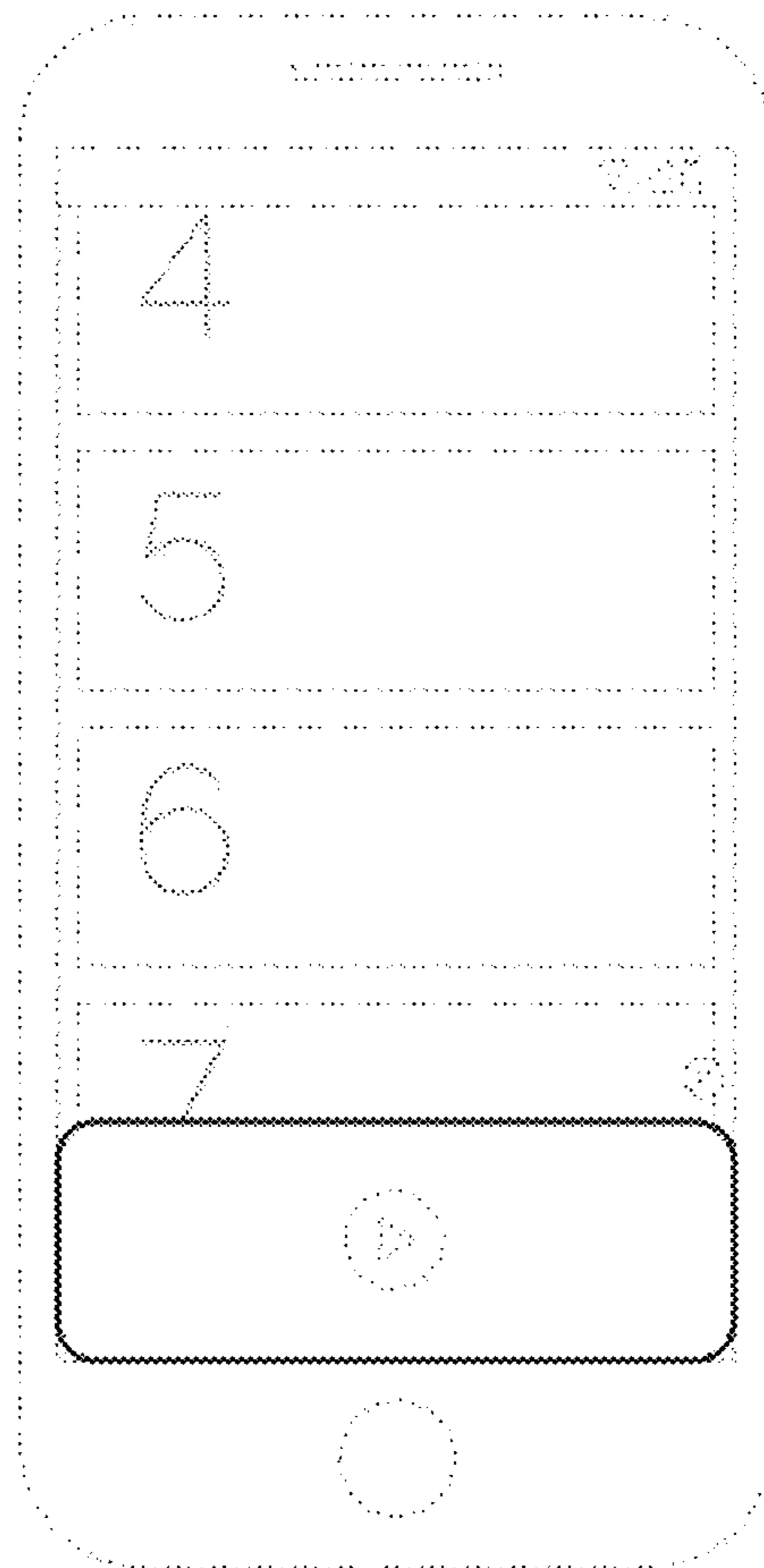
# 3.2



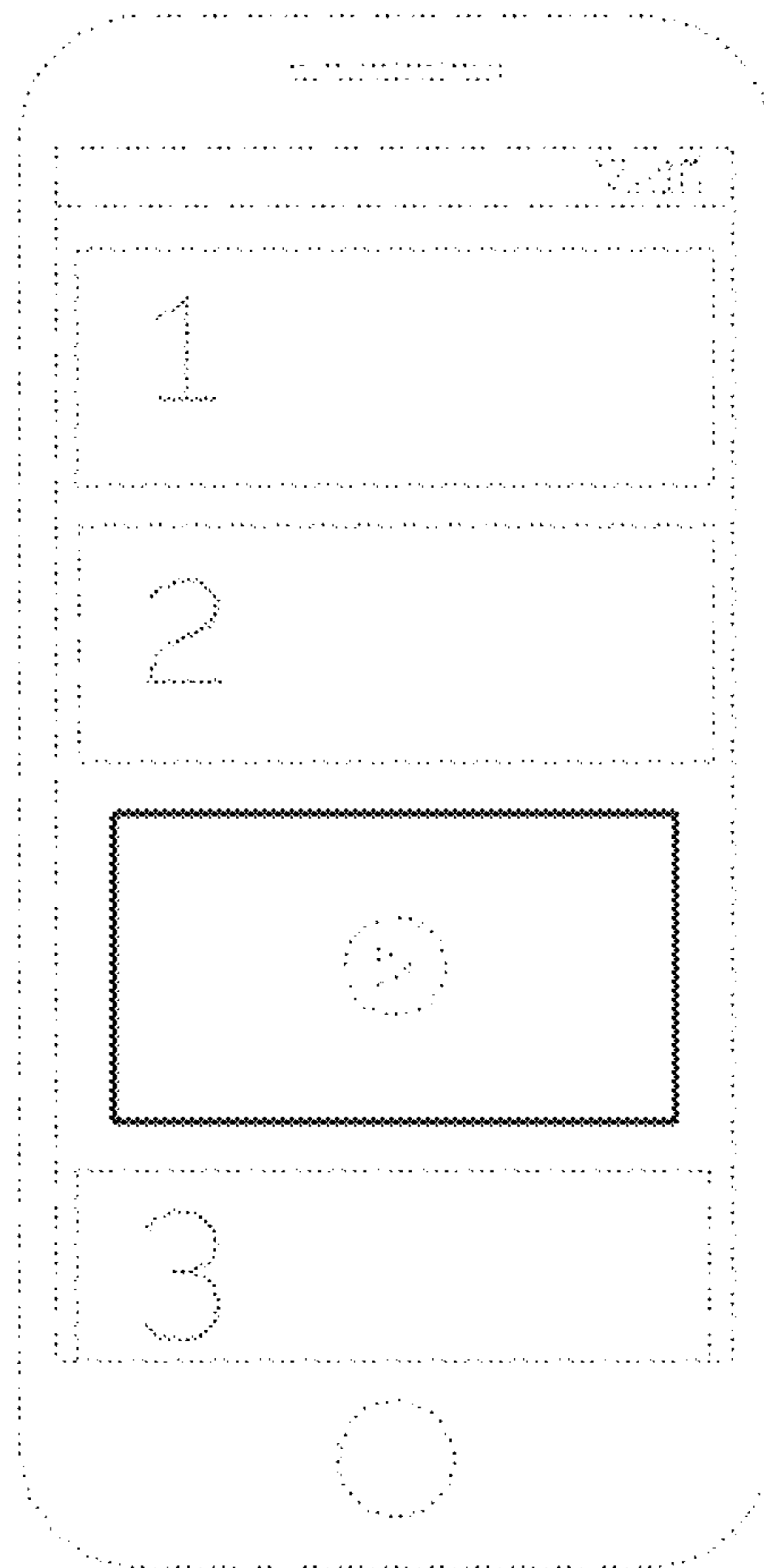
# 3.3



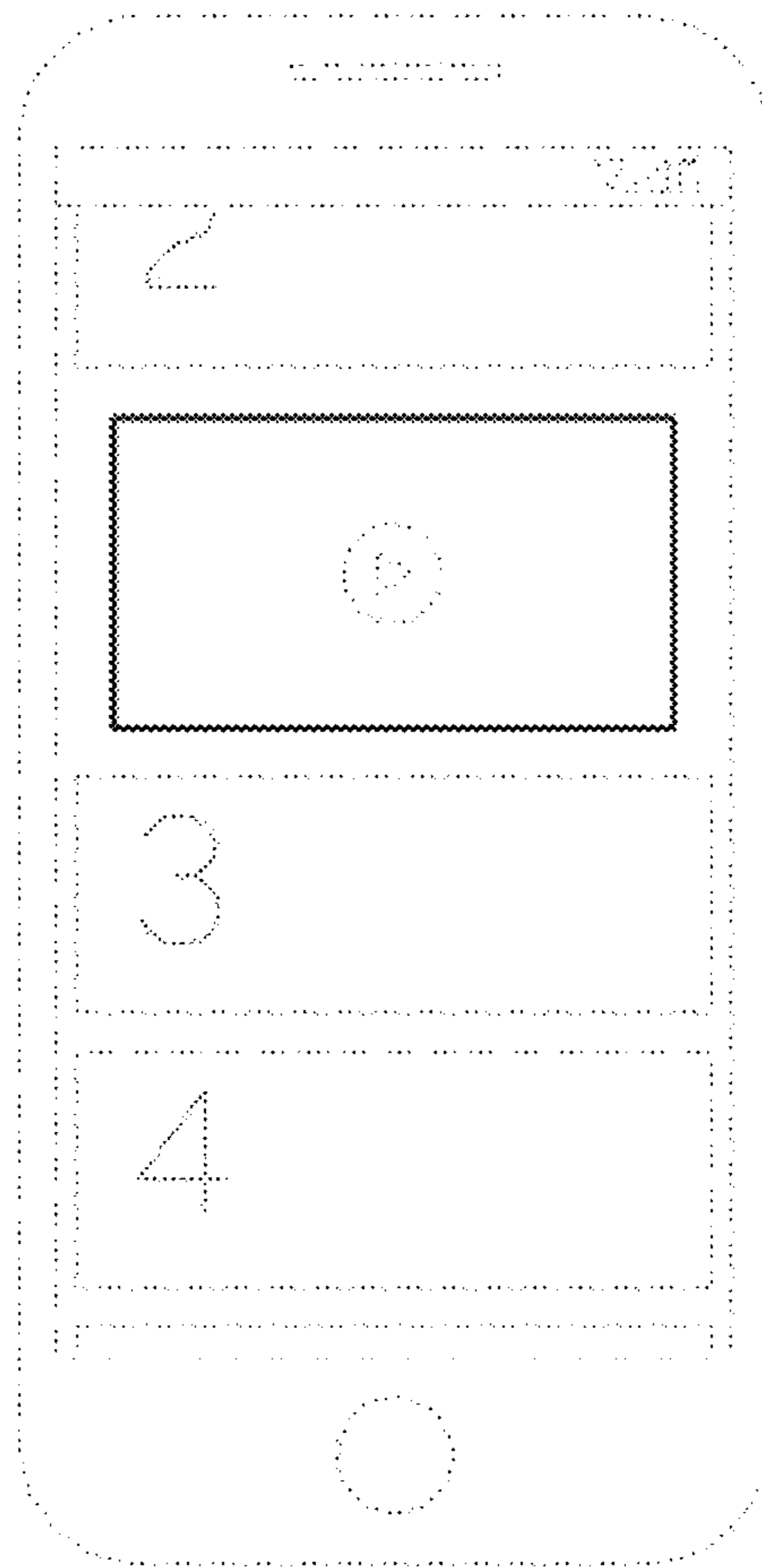
# 3.4



# 7.1

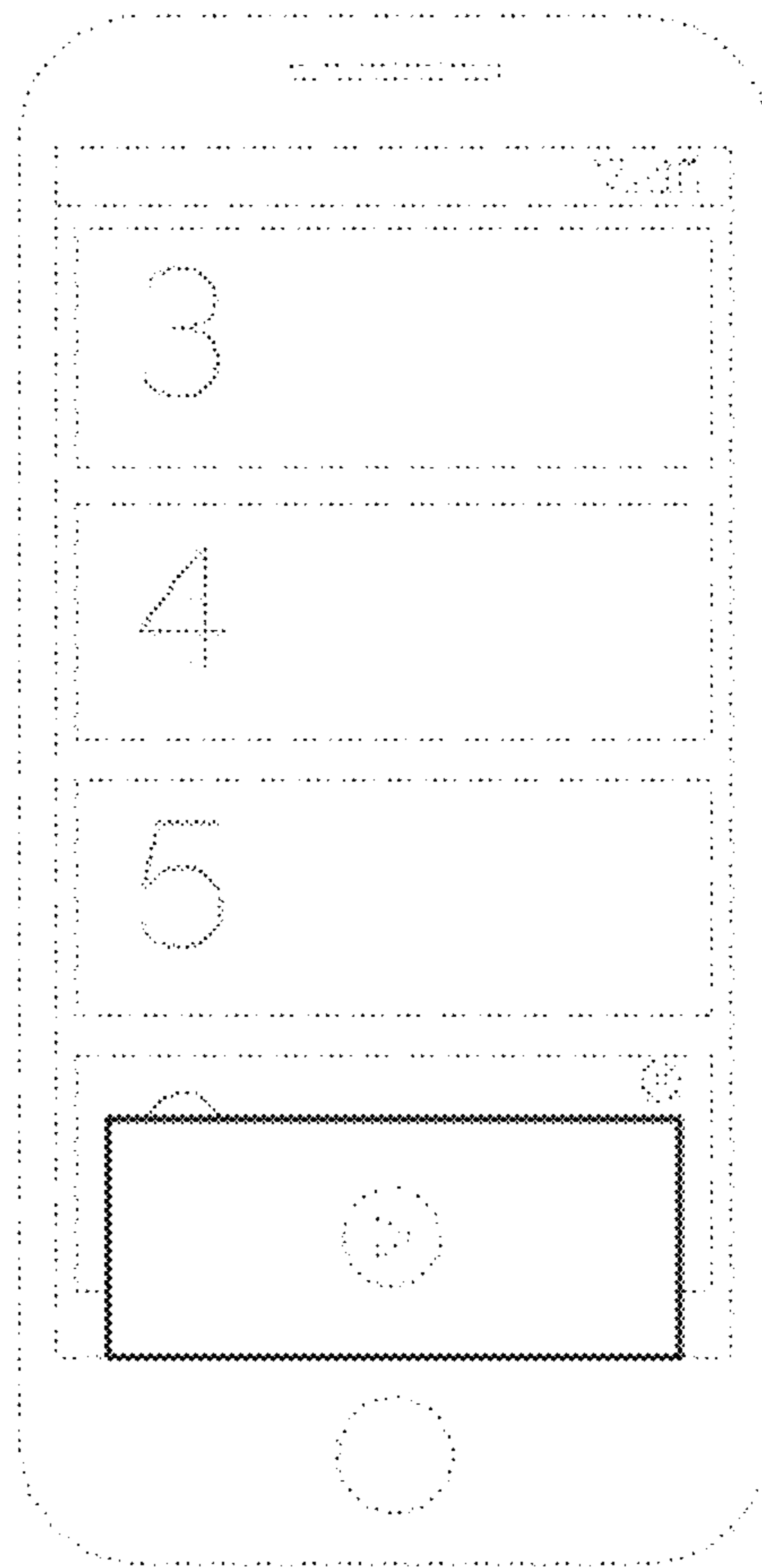


7.2

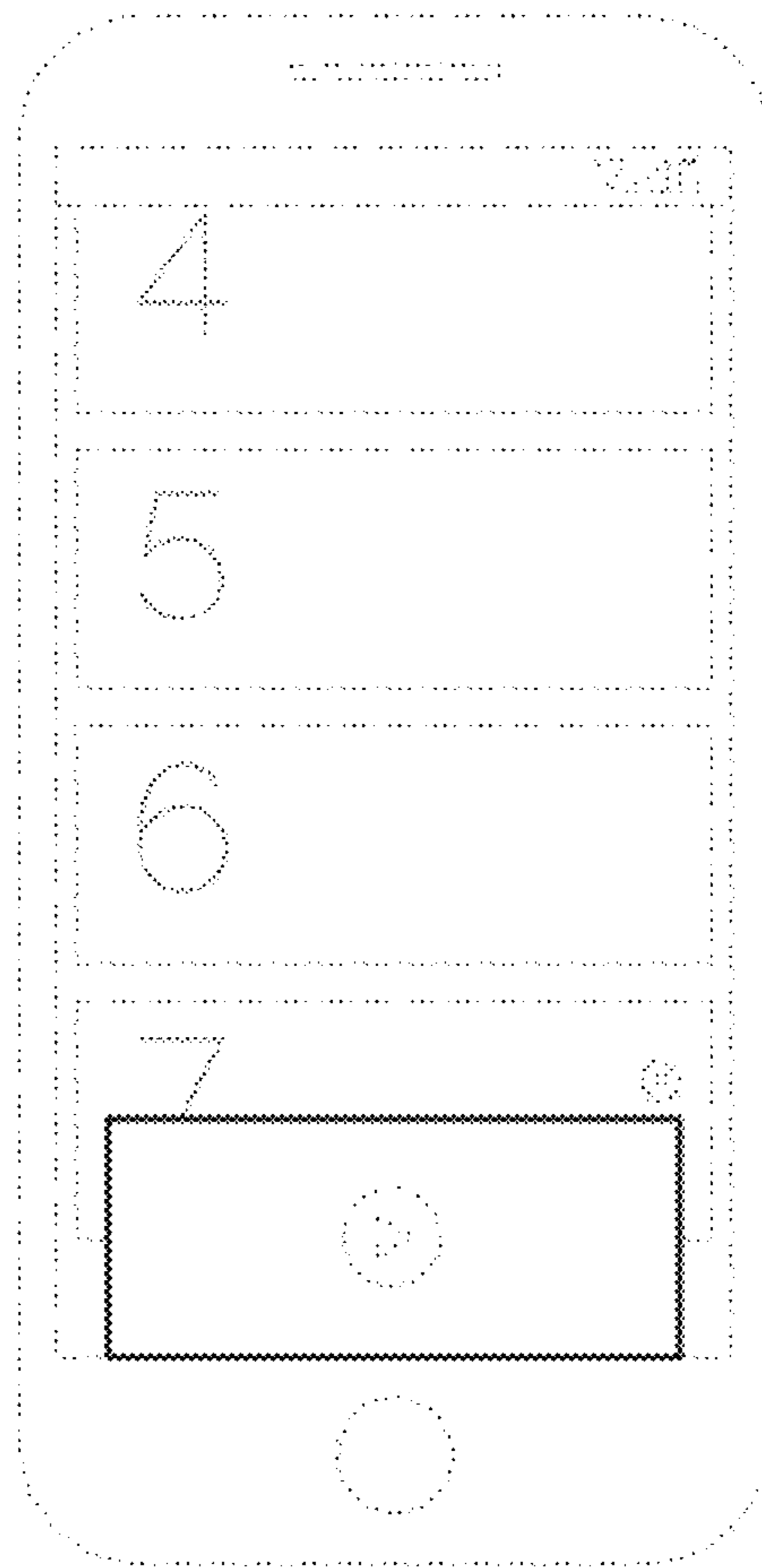




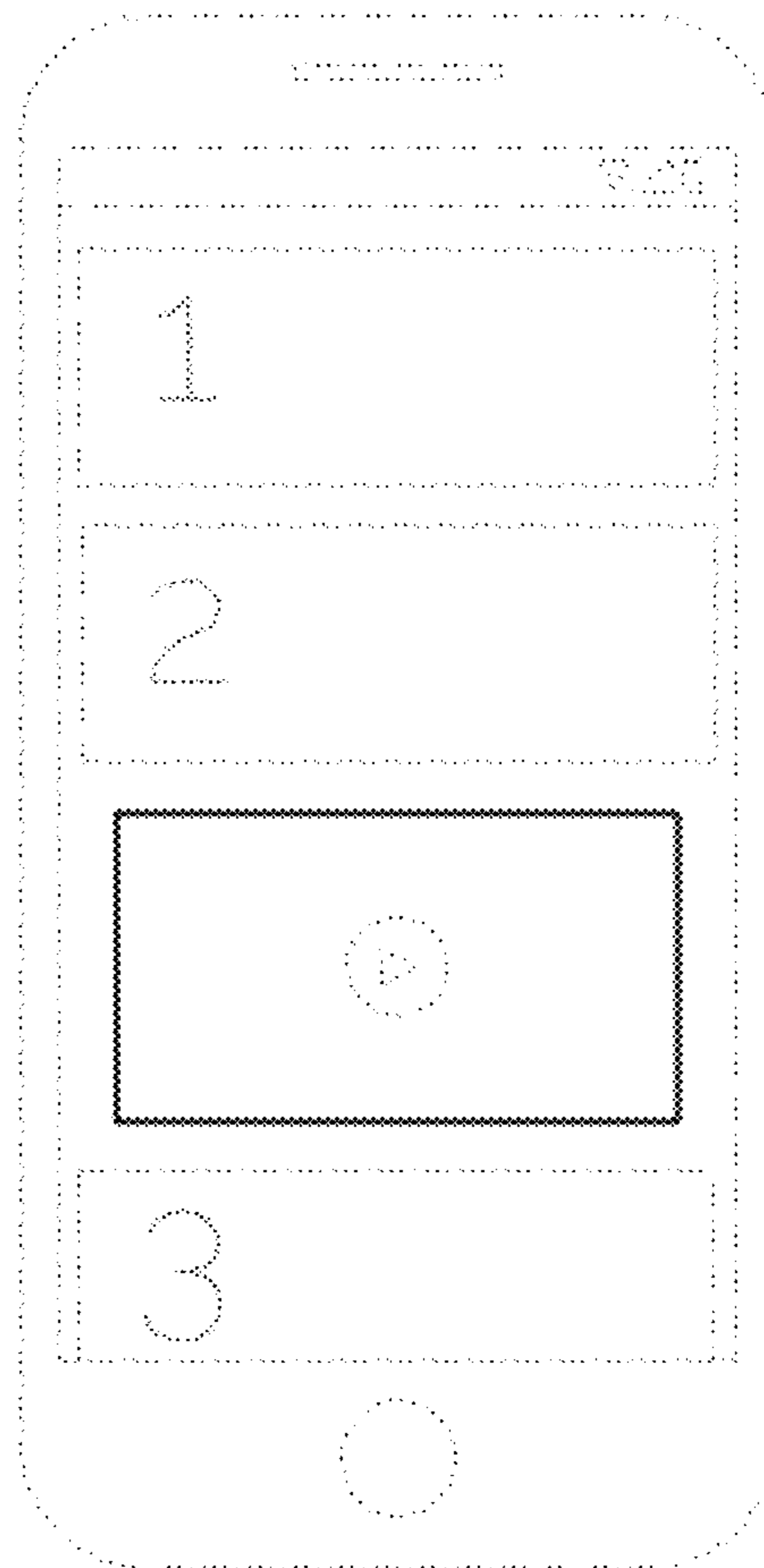
# 7.3



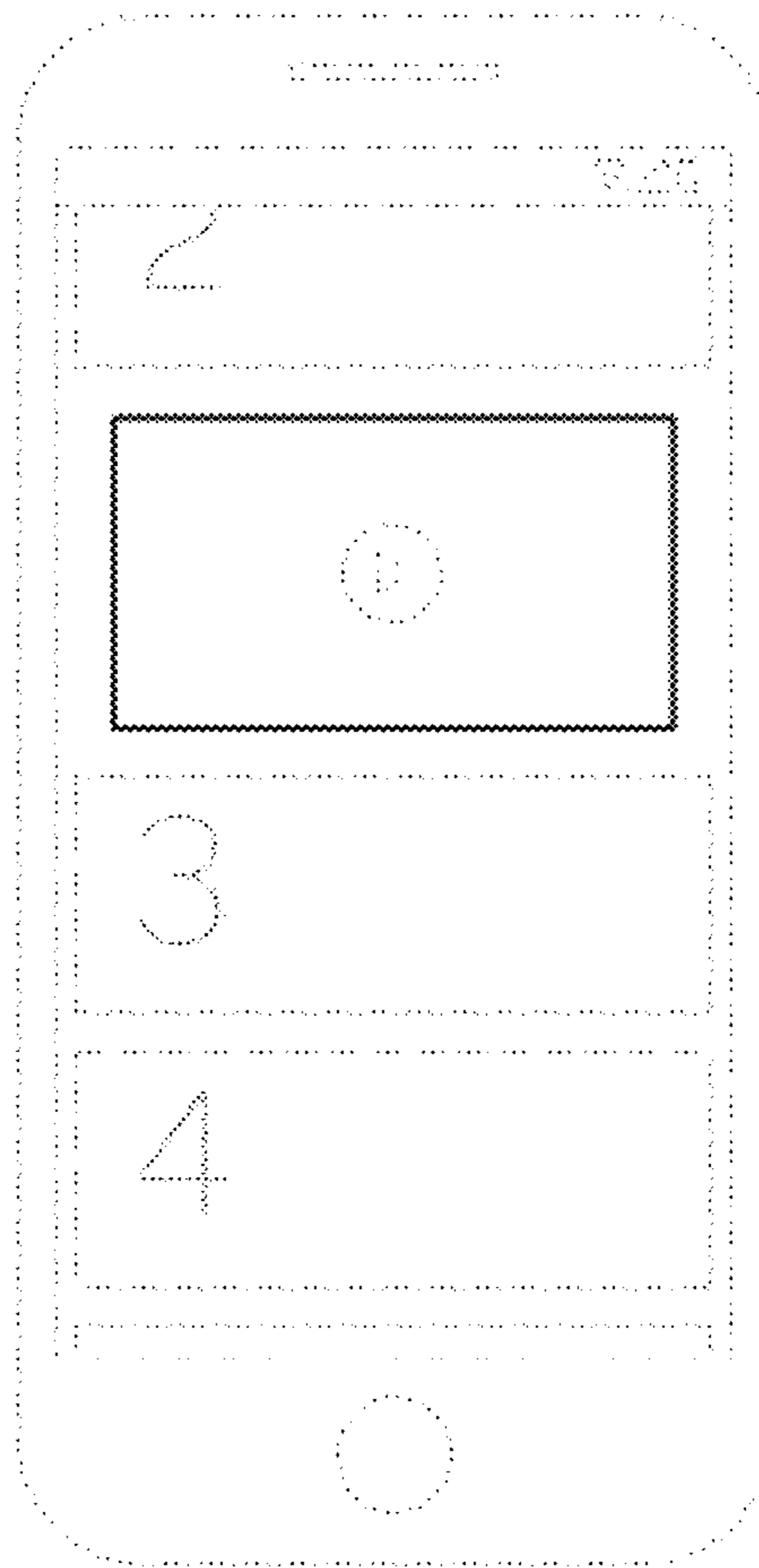
7.4



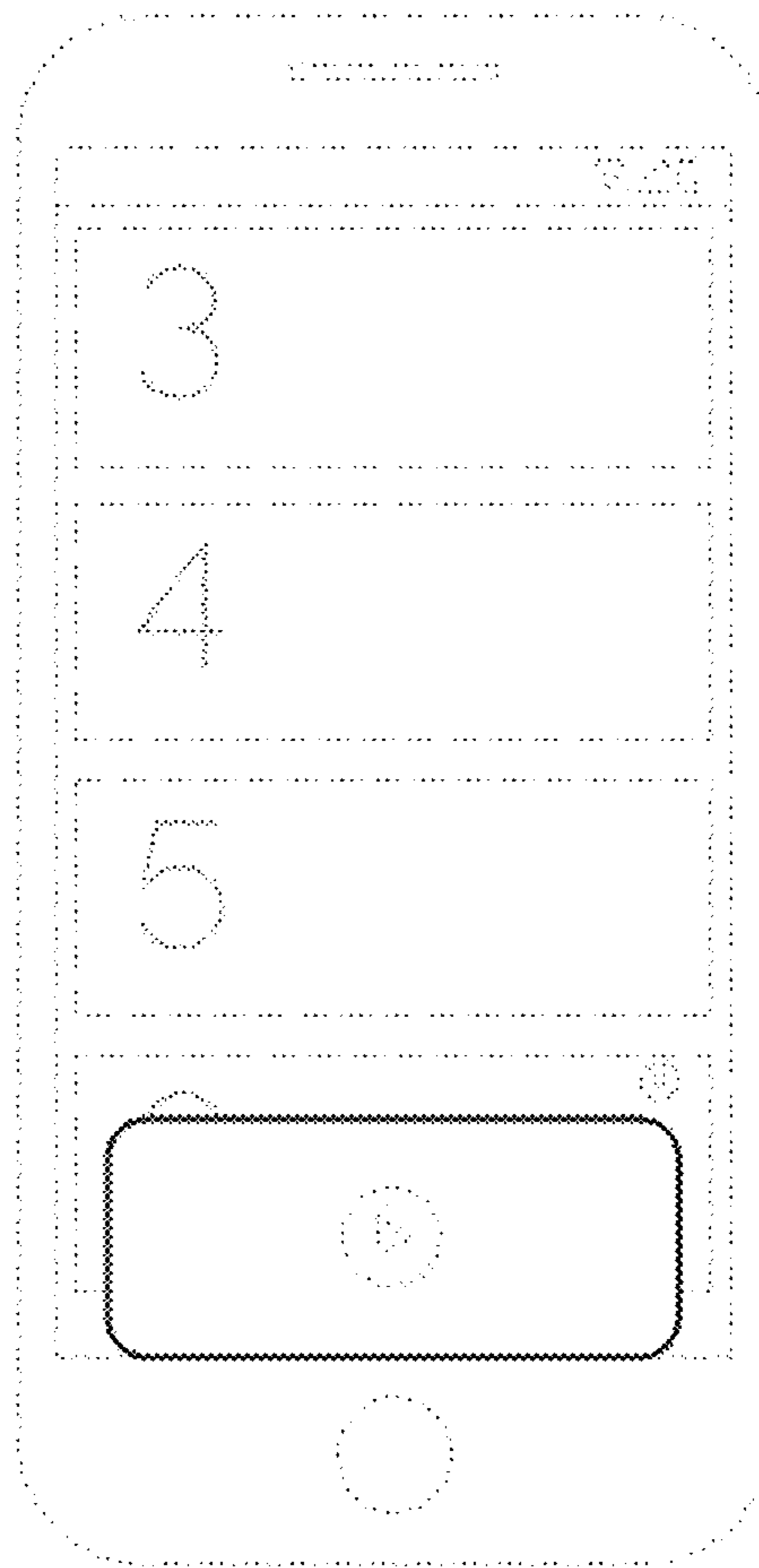
# 8.1



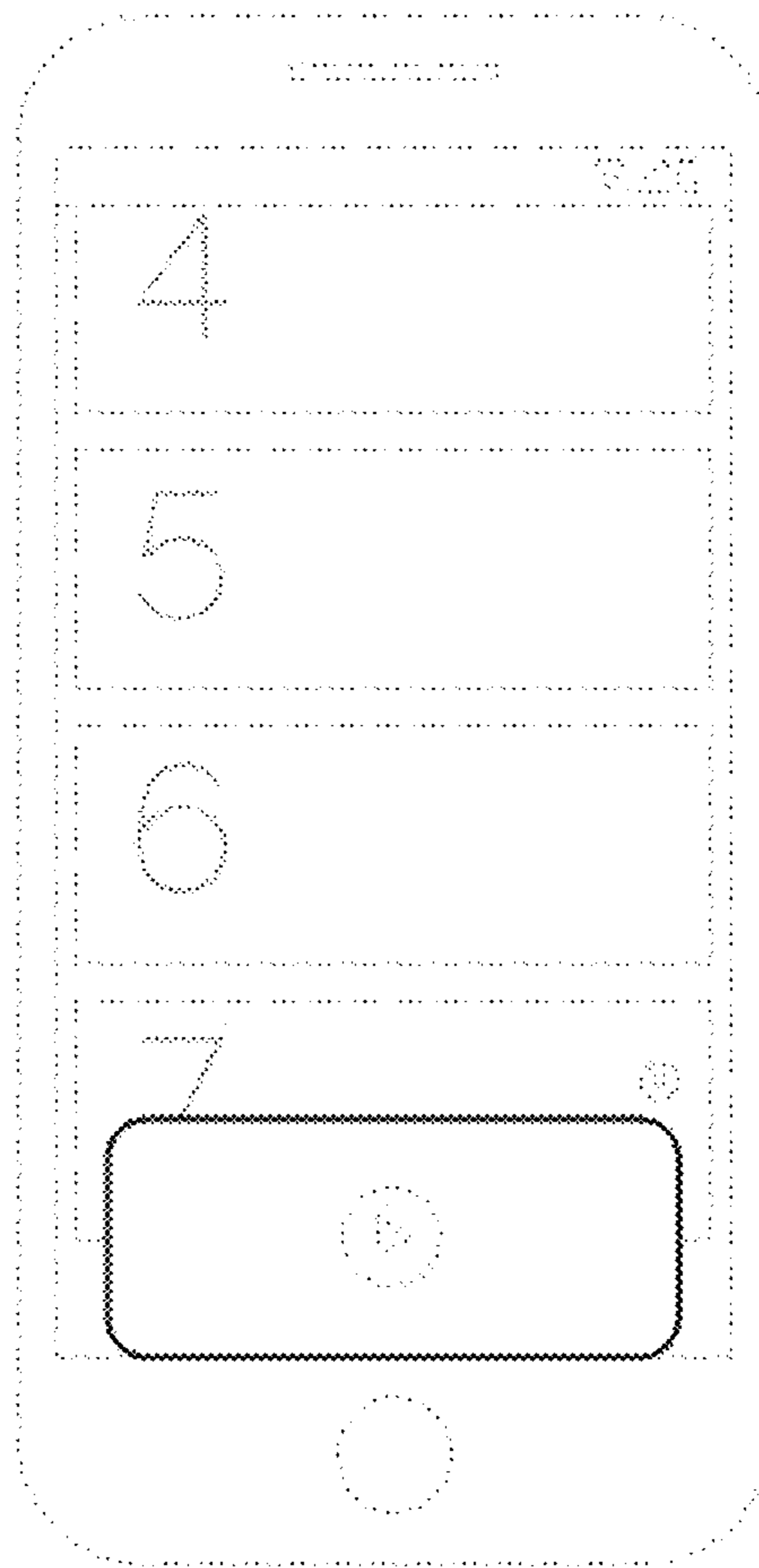
# 8.2



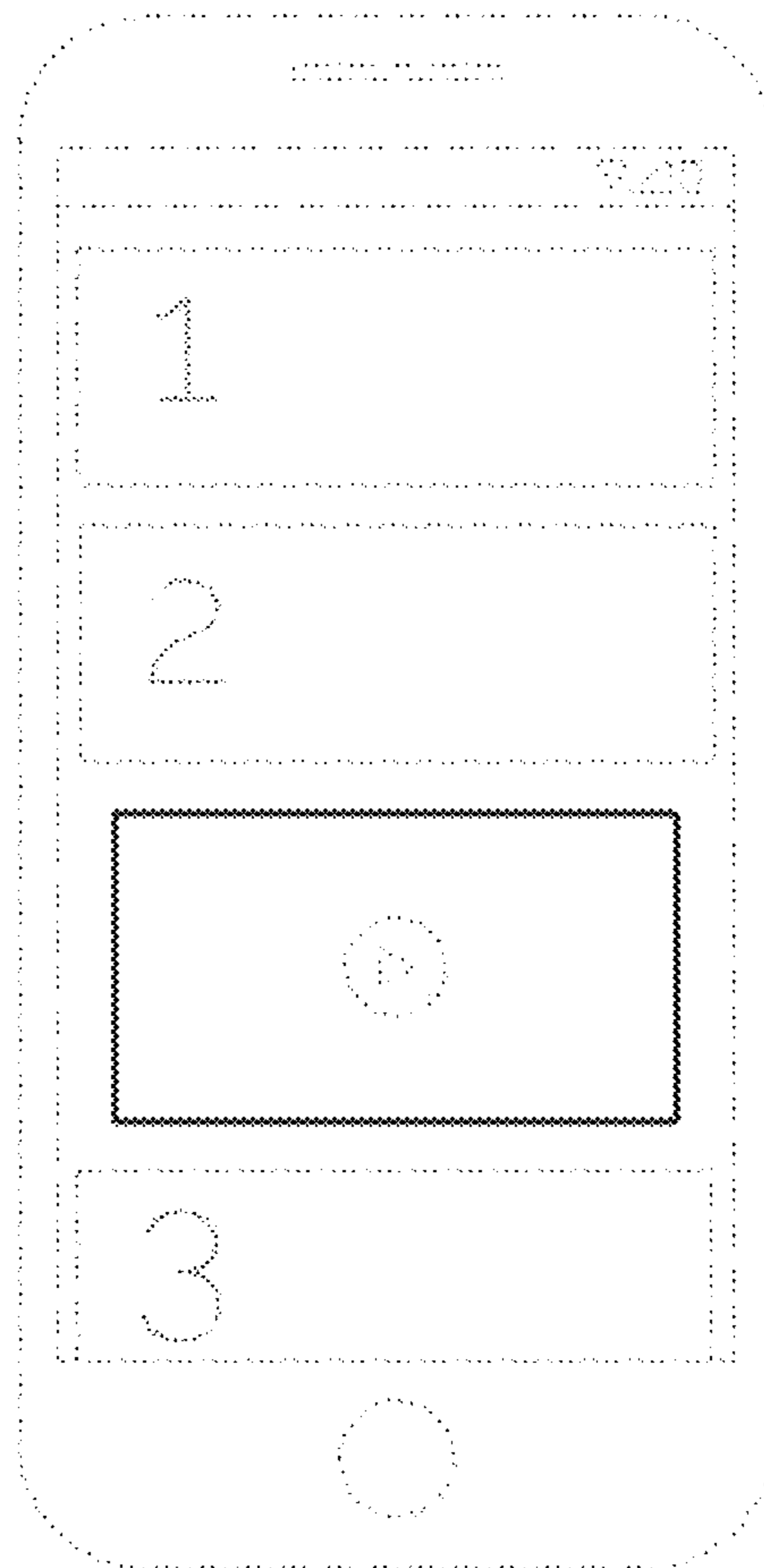
# 8.3



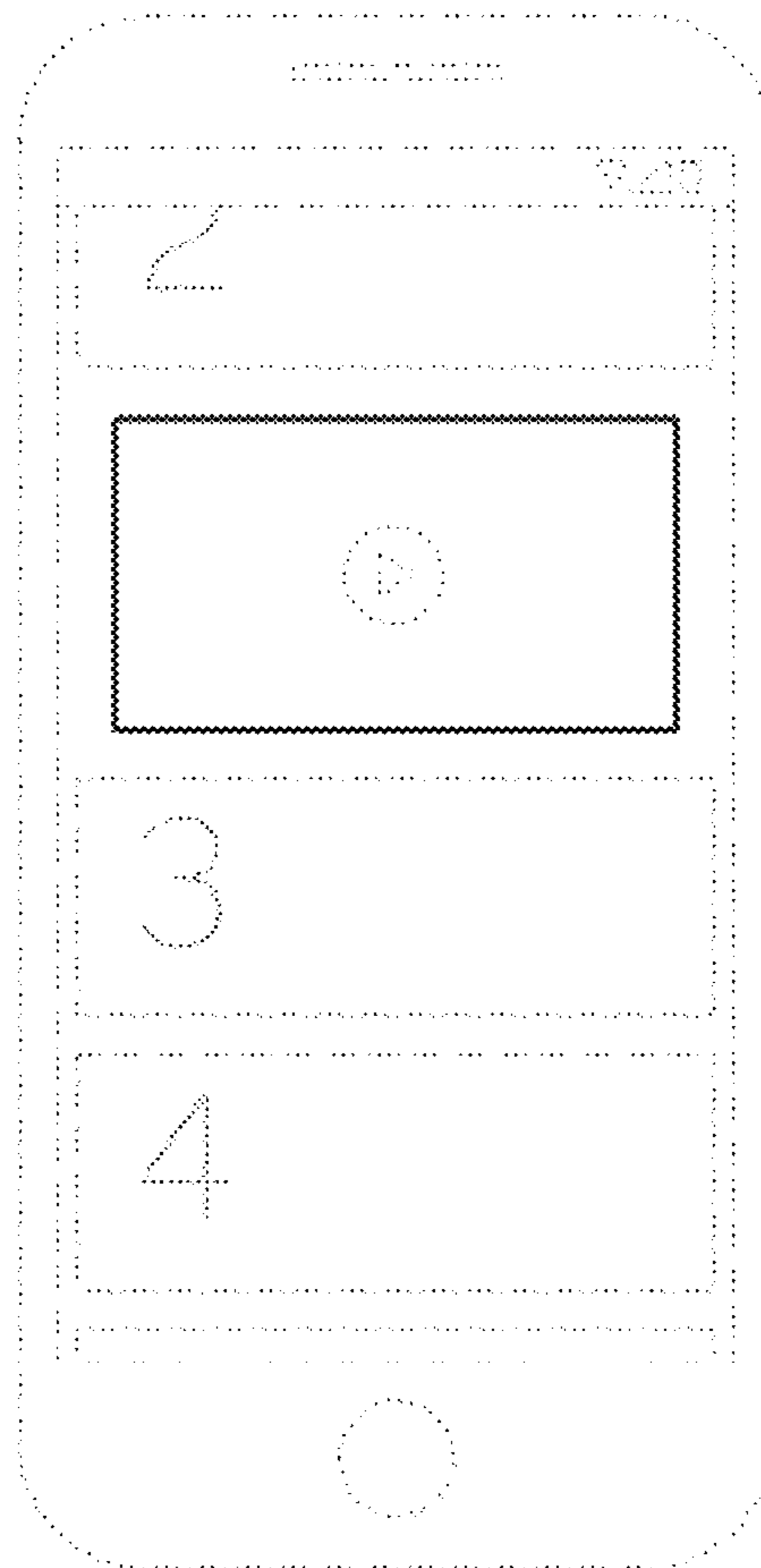
# 8.4



# 9.1

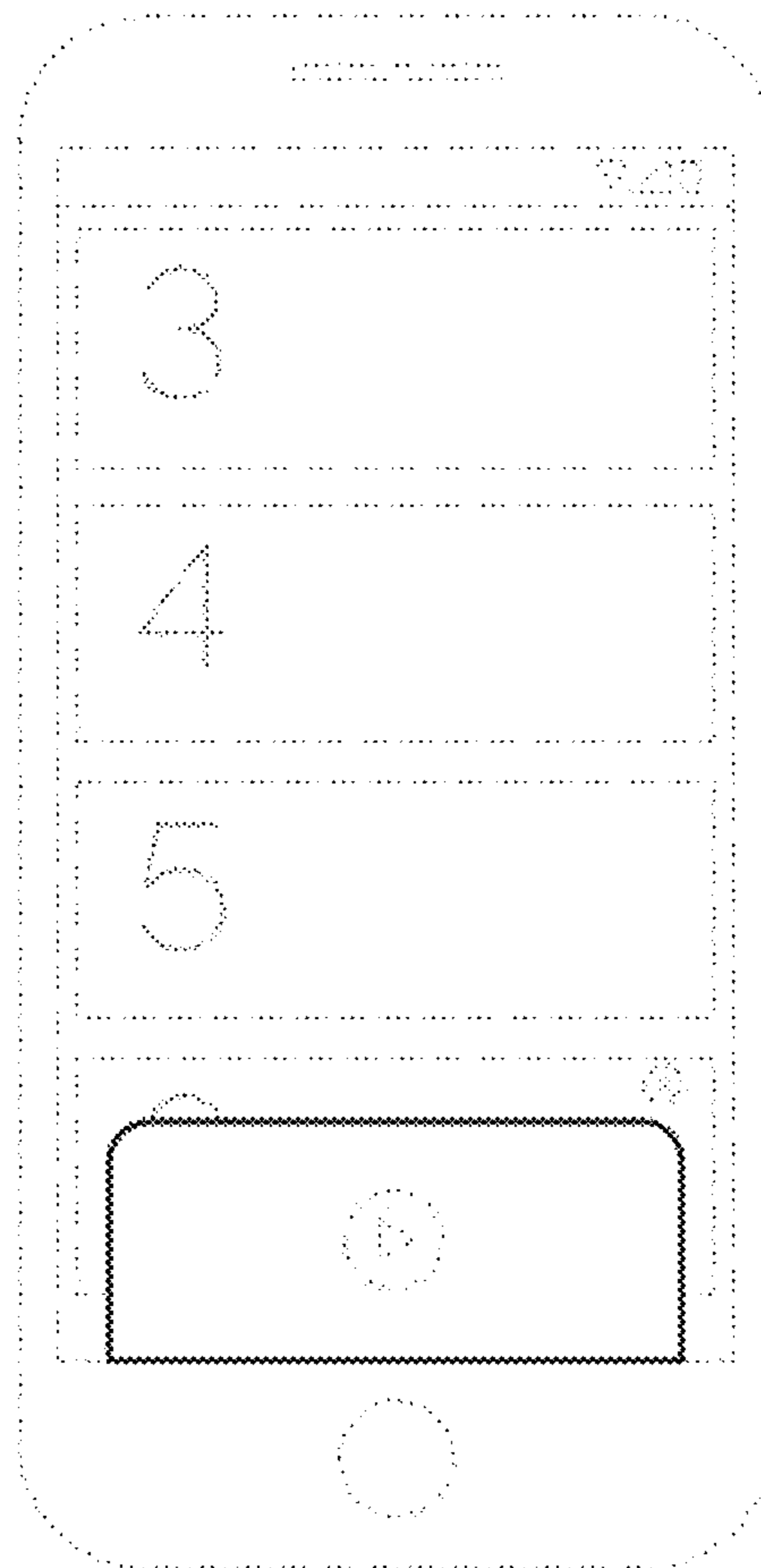


# 9.2





# 9.3



# 9.4

