

US00D934881S

(12) **United States Design Patent** (10) **Patent No.:** **US D934,881 S**
Yoo et al. (45) **Date of Patent:** **** Nov. 2, 2021**

(54) **STAND FOR TELEVISION DISPLAY PANEL**

(56) **References Cited**

(71) Applicant: **LG ELECTRONICS INC.**, Seoul (KR)

U.S. PATENT DOCUMENTS

(72) Inventors: **Sehdong Yoo**, Seoul (KR); **Byungmu Huh**, Seoul (KR); **Jongyoun Shin**, Seoul (KR)

2,835,038	A	*	5/1958	Perrin	G01B 3/1003
						33/764
3,136,067	A	*	6/1964	Horner	G01B 3/1084
						33/771
D265,633	S	*	8/1982	Johnson	D10/71
D353,869	S	*	12/1994	Park	D22/137
D453,480	S	*	2/2002	Stocker	D10/72
D556,063	S	*	11/2007	Chue	D10/72
D668,641	S	*	10/2012	Luijben	D14/239
D718,264	S	*	11/2014	Park	D14/126
D806,664	S	*	1/2018	Cho	D14/126

(73) Assignee: **LG ELECTRONICS INC.**, Seoul (KR)

(**) Term: **15 Years**

* cited by examiner

(21) Appl. No.: **35/509,619**

Primary Examiner — L. A. Grabenstetter

(22) Filed: **Sep. 4, 2019**

(74) *Attorney, Agent, or Firm* — Birch, Stewart, Kolasch & Birch, LLP

(80) **Hague Agreement Data**

Int. Filing Date: **Sep. 4, 2019**

Int. Reg. No.: **DM/208674**

Int. Reg. Date: **Sep. 4, 2019**

Int. Reg. Pub. Date: **Jun. 19, 2020**

(57) **CLAIM**

The ornamental design for a stand for television display panel, as shown and described.

(30) **Foreign Application Priority Data**

Mar. 14, 2019 (KR) 30-2019-0011635

(51) **LOC (13) Cl.** **14-02**

(52) **U.S. Cl.**
USPC **D14/451**

(58) **Field of Classification Search**

USPC D6/300, 308, 310, 642, 643, 650.1,
D6/653.15, 654.15, 657, 661, 675,
D6/708.24, 709.18, 709.2, 709.21, 709.22,
D6/710; D14/125–129, 132, 239, 336,
D14/341, 373–377, 451; D16/229, 235,
D16/241; D24/190; D30/151, 153, 154;
D10/72

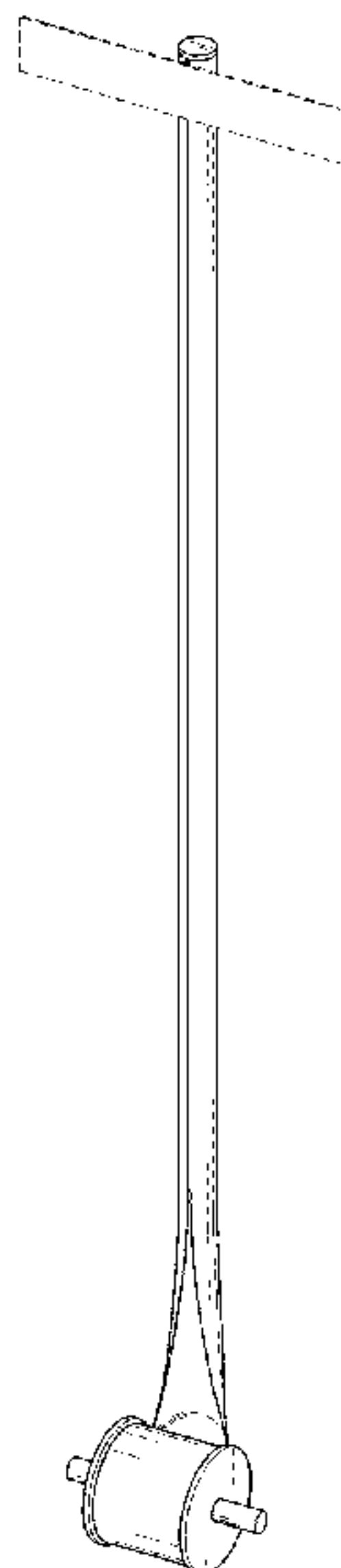
CPC G06F 1/1601; G06F 1/1605; G06F 1/162

See application file for complete search history.

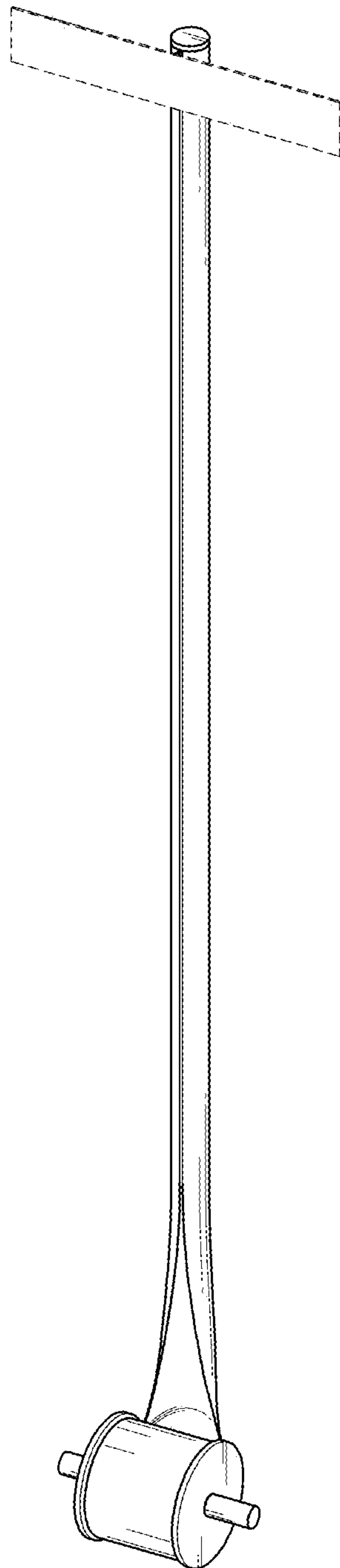
DESCRIPTION

1. Stand for television display panel
 - 1.1 : Front Perspective view, shown in a fully extended state
 - 1.2 : Front view thereof
 - 1.3 : Back view thereof
 - 1.4 : Left view thereof
 - 1.5 : Right view thereof
 - 1.6 : Bottom view thereof
 - 1.7 : Top view thereof
 - 1.8 : Front Perspective view shown in a partially retracted state
 - 1.9 : Front Perspective view shown in a fully retracted state
 - 1.10 : Back Perspective view shown in a fully extended state, in an environment of use
- The parts shown by means of broken lines in the reproductions are not part of the claimed design.

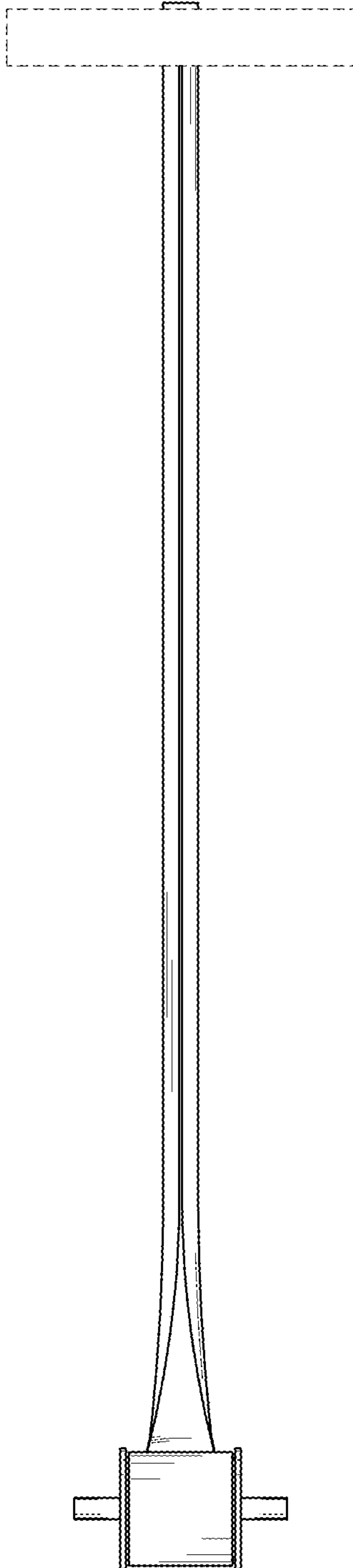
1 Claim, 10 Drawing Sheets



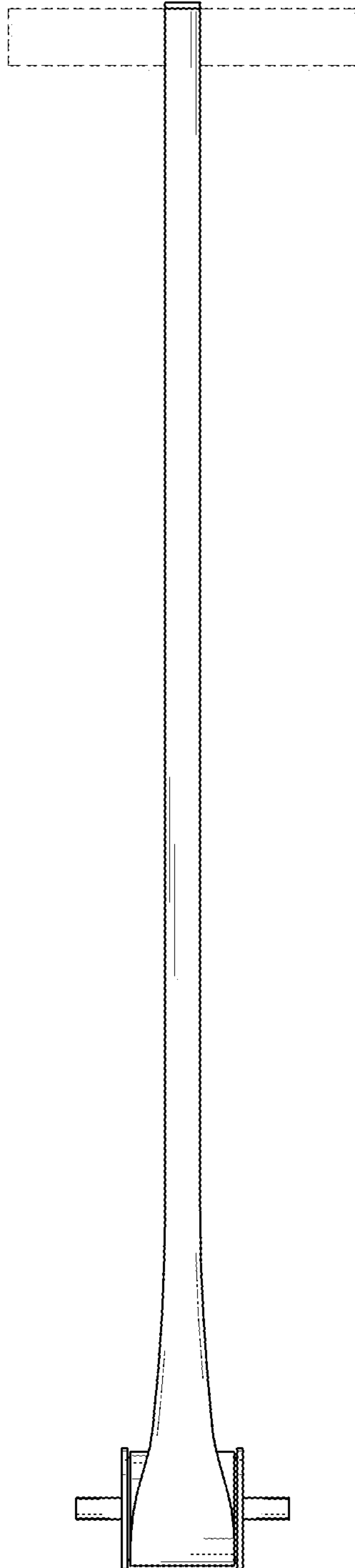
1.1



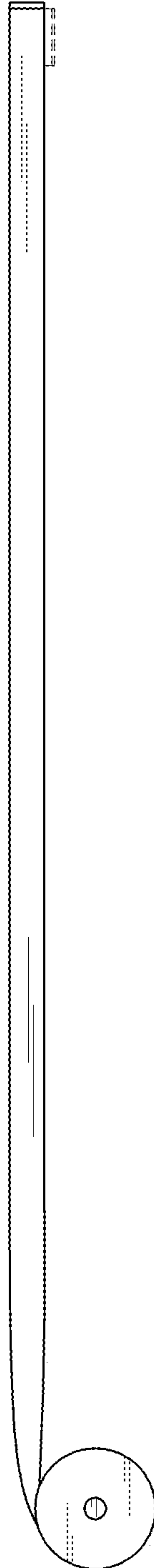
1.2



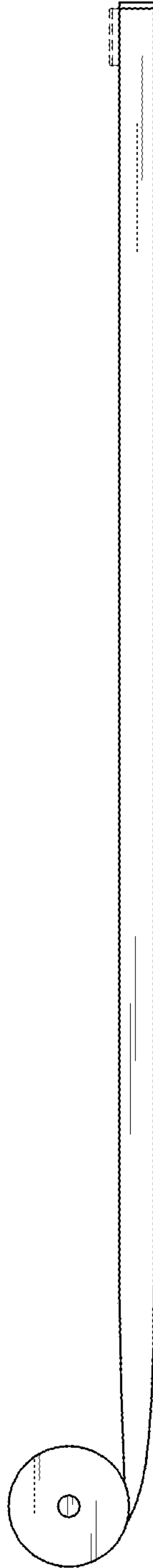
1.3



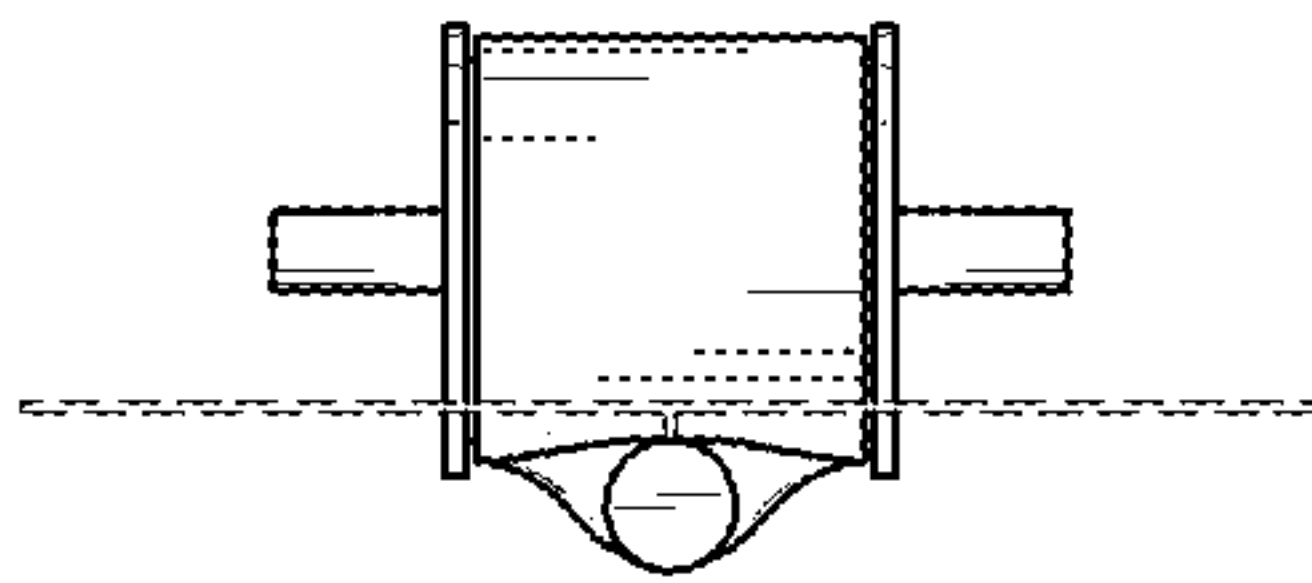
1.4



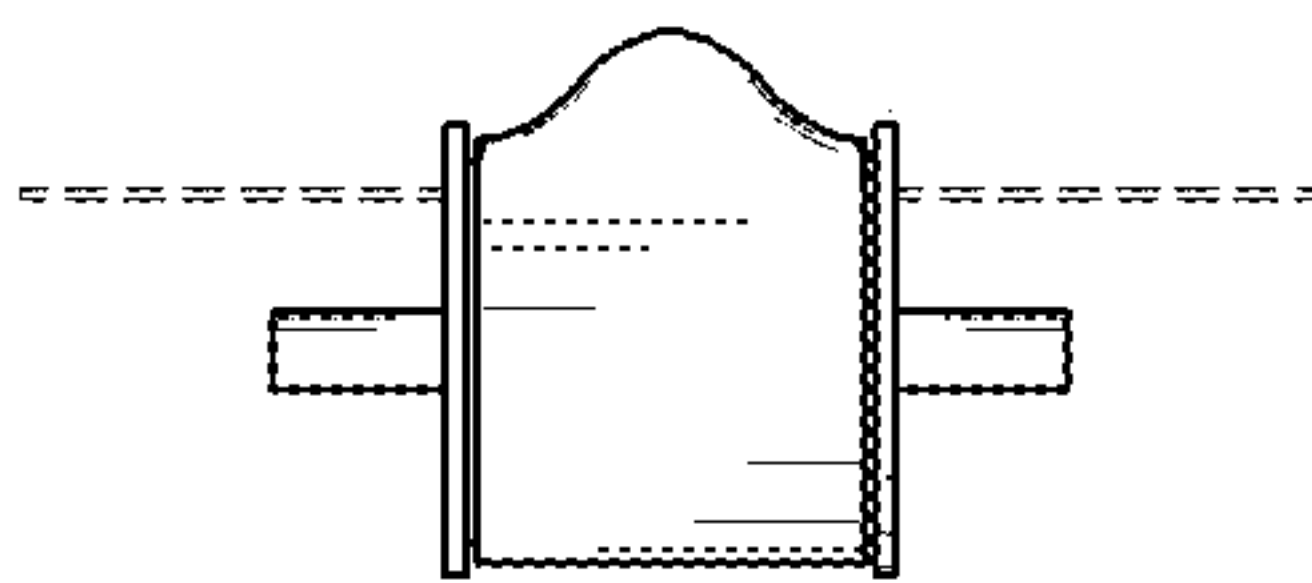
1.5



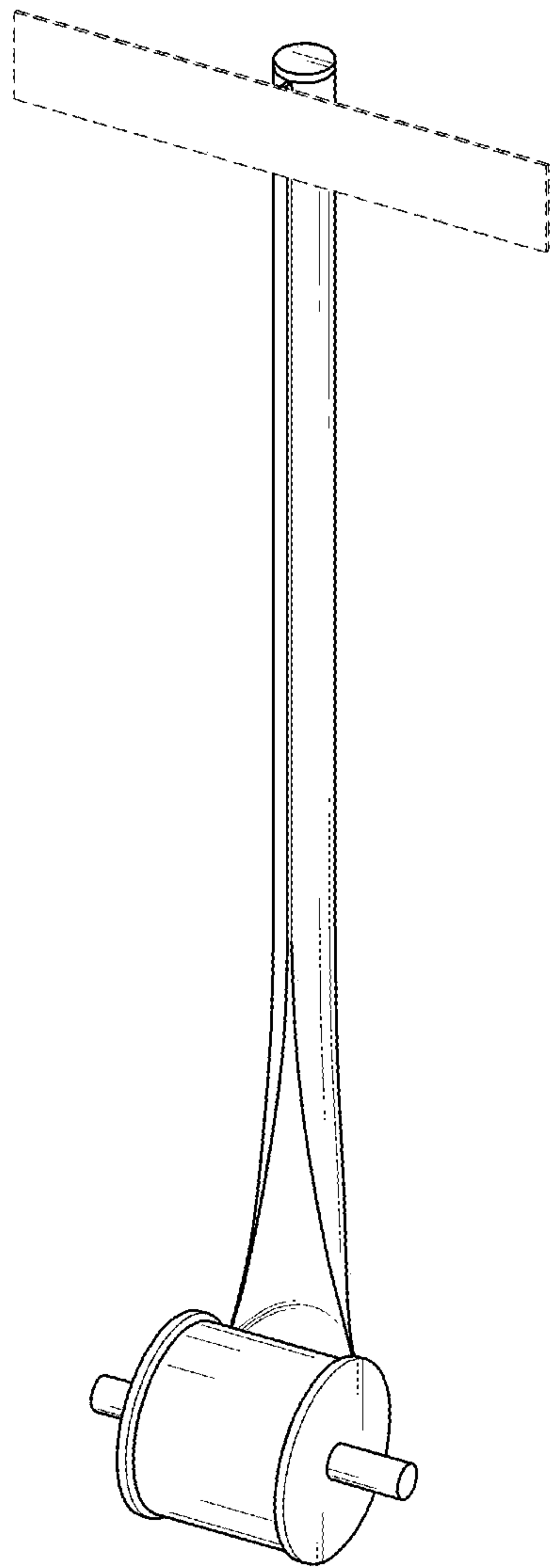
1.6



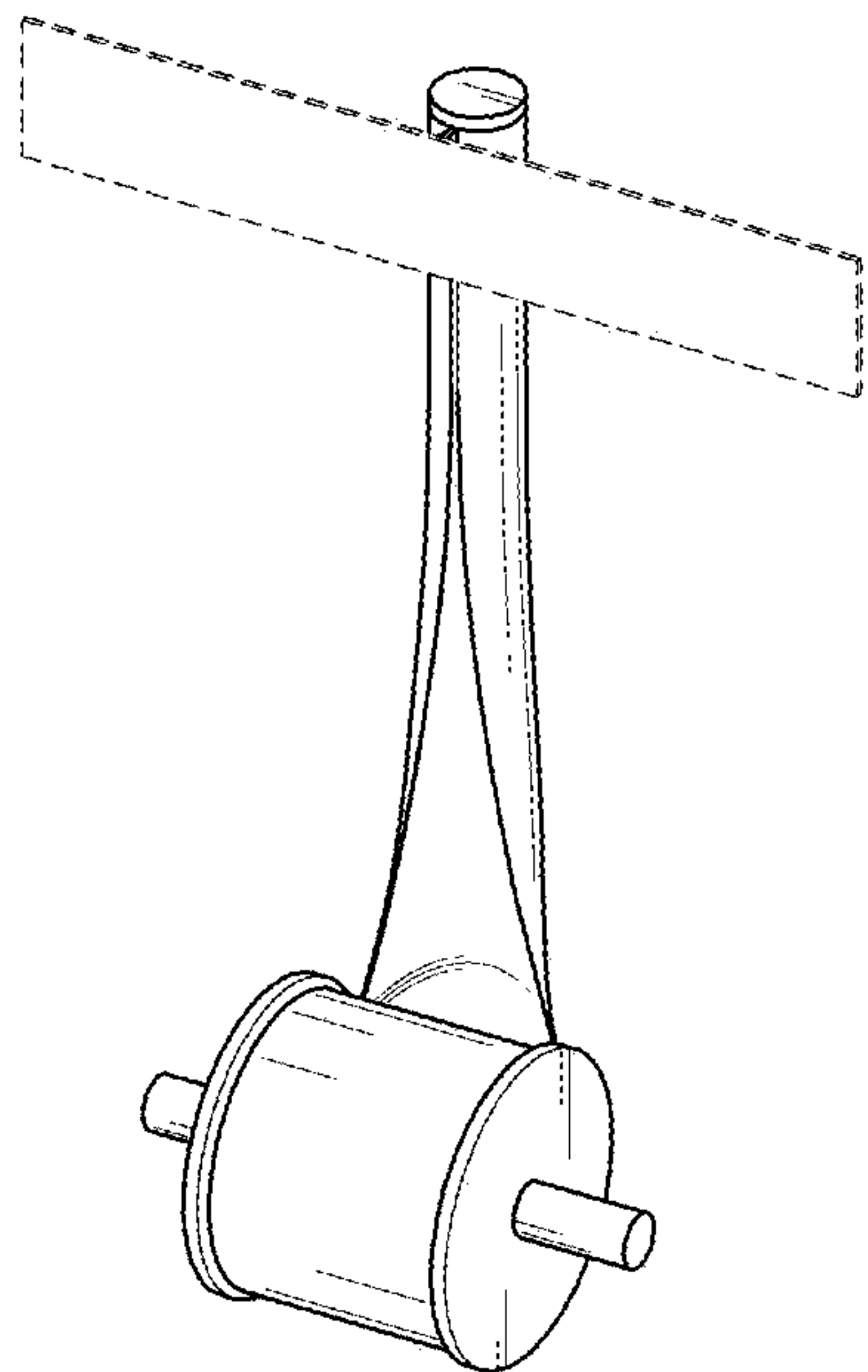
1.7



1.8



1.9



1.10

