



US00D934880S

(12) **United States Design Patent** (10) **Patent No.:** **US D934,880 S**
Seo et al. (45) **Date of Patent:** **** Nov. 2, 2021**

(54) **MONITOR**

FOREIGN PATENT DOCUMENTS

(71) Applicant: **Samsung Electronics Co., Ltd.**,
Suwon-si (KR)

EM 000248315-0003 2/2005
EM 000254057-0010 2/2005

(Continued)

(72) Inventors: **Young-Jin Seo**, Suwon-si (KR);
Tae-Yeon Won, Suwon-si (KR)

Primary Examiner — Katie Jane Stofko

(74) *Attorney, Agent, or Firm* — McAndrews Held &
Malloy, Ltd.

(73) Assignee: **SAMSUNG ELECTRONICS CO.,
LTD.**, Suwon-si (KR)

(**) Term: **15 Years**

(57) **CLAIM**

(21) Appl. No.: **29/735,813**

The ornamental design for a monitor, as shown and
described.

(22) Filed: **May 25, 2020**

(30) **Foreign Application Priority Data**

Nov. 27, 2019 (KR) 30-2019-0056925

(51) **LOC (13) Cl.** **14-02**

(52) **U.S. Cl.**
USPC **D14/451**

(58) **Field of Classification Search**

USPC D14/371–382, 125–129, 335–337,
D14/447–452, 492, 239, 457, 439–441,
D14/432, 251–253; D8/349, 354, 363,
D8/373, 376, 380; 348/180, 184, 325,
348/739, 825; D12/407, 415; D3/218;
341/12

CPC G06F 3/0412; G06F 3/016; G06F 3/0488;
G06F 3/011; G06F 3/038; G06F 3/03543;
G06F 3/0338; G06F 3/0202; G06F
3/0219; G06F 3/0213; G06F 1/1616;
G06F 3/023; G06F 3/04883; G02F
1/13338; G02F 1/1313; G02F 1/1333;
G02F 1/135; G02F

(Continued)

(56) **References Cited**

U.S. PATENT DOCUMENTS

D295,415 S * 4/1988 Thies D14/452
D688,672 S * 8/2013 Seo D14/451

(Continued)

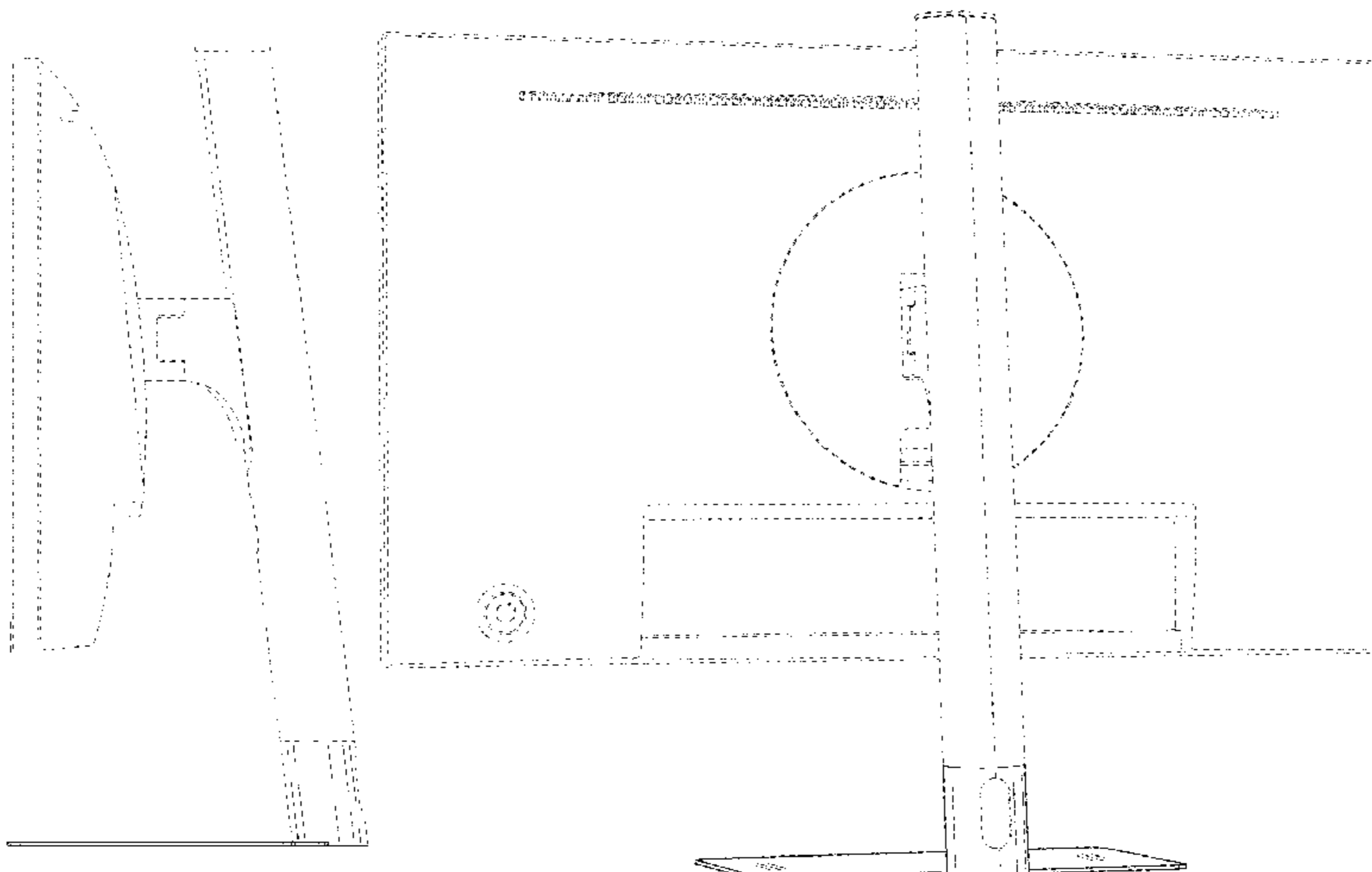
DESCRIPTION

FIG. 1 is a front perspective view of a monitor showing our
new design according to a first embodiment;
FIG. 2 is a front elevation view thereof;
FIG. 3 is a rear elevation view thereof;
FIG. 4 is a left side elevation view thereof;
FIG. 5 is a right side elevation view thereof;
FIG. 6 is a top plan view thereof;
FIG. 7 is a bottom plan view thereof;
FIG. 8 is a rear perspective view thereof;
FIG. 9 is a front perspective view of a monitor showing our
new design according to a second embodiment;
FIG. 10 is a front view thereof;
FIG. 11 is a rear view thereof;
FIG. 12 is a left-side view thereof;
FIG. 13 is a right-side view thereof;
FIG. 14 is a top plan view thereof;
FIG. 15 is a bottom plan view thereof; and,
FIG. 16 is a rear perspective view thereof.

The evenly dashed broken lines in the drawings illustrate
portions of the monitor that form no part of the claimed
design.

The dot-dash broken lines in the drawings define the bound-
ary of the claimed design and form no part thereof.

1 Claim, 16 Drawing Sheets



(58) **Field of Classification Search**

CPC 1/132; G02F 1/133308; G02F 1/134309;
G02F 1/13718; G09G 3/3648; G06K
15/1252; B41J 2/465; G03F 7/70291;
G02B 27/0172; G02B 5/30; G02B
2027/0118; G02B 27/0101; F16M 13/02;
F16M 13/00; F16M 11/10; F16M 11/04;
F16M 2200/08; F16M 11/2021; A47B
21/0314; A47B 88/044; A47B 2021/0335;
F16B 47/00; F16B 47/006; H02G 3/126;
A47G 1/17; A47K 2201/00

See application file for complete search history.

(56) **References Cited**

U.S. PATENT DOCUMENTS

D694,206	S	*	11/2013	Seo	D14/126
D724,040	S	*	3/2015	Chan	D14/126
D750,077	S	*	2/2016	Lee	D14/375
D757,021	S	*	5/2016	Won	D14/451
D787,522	S	*	5/2017	Lee	D14/451
D804,476	S	*	12/2017	Hallar	D14/375
D819,029	S	*	5/2018	Seo	D14/374
D819,030	S	*	5/2018	Seo	D14/374
D822,669	S	*	7/2018	Kwon	D14/451
D839,248	S		1/2019	Hwang et al.		
D877,745	S	*	3/2020	Knapp	D14/452
D919,630	S	*	5/2021	Lyu	D14/451

FOREIGN PATENT DOCUMENTS

EM	001084925-0005	3/2009
EM	003022979-0001	3/2016

* cited by examiner

FIG. 1

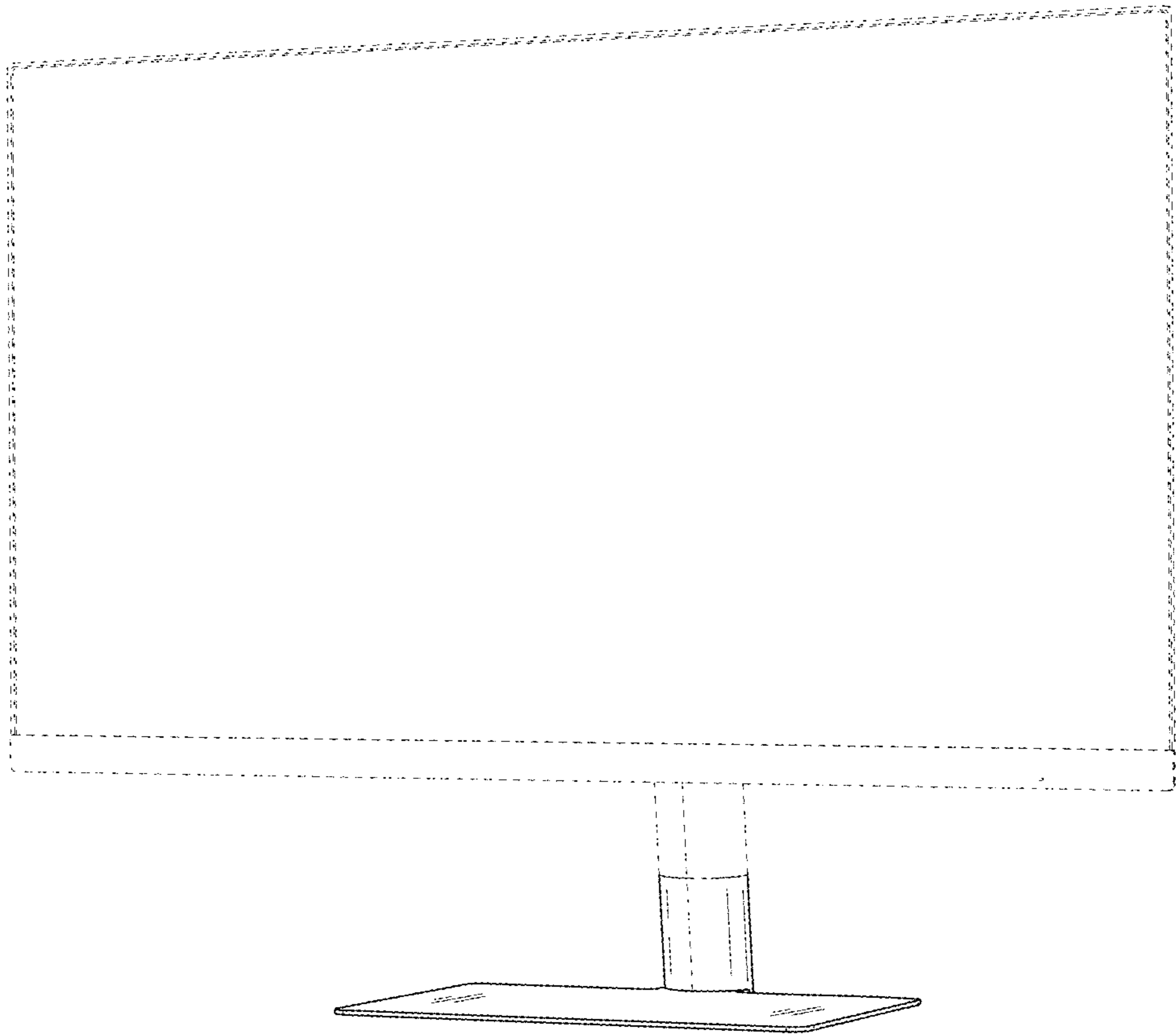


FIG. 2

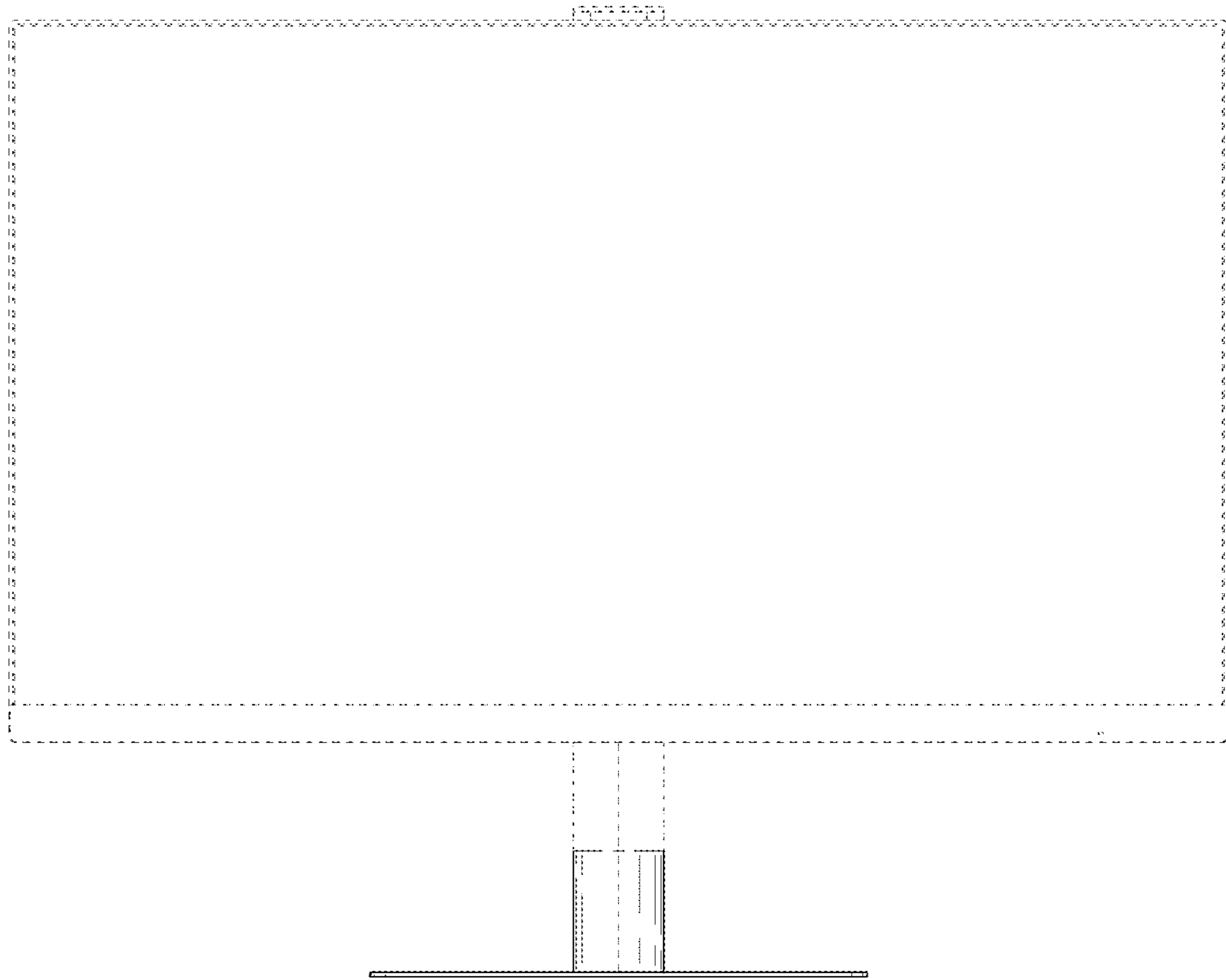


FIG. 3

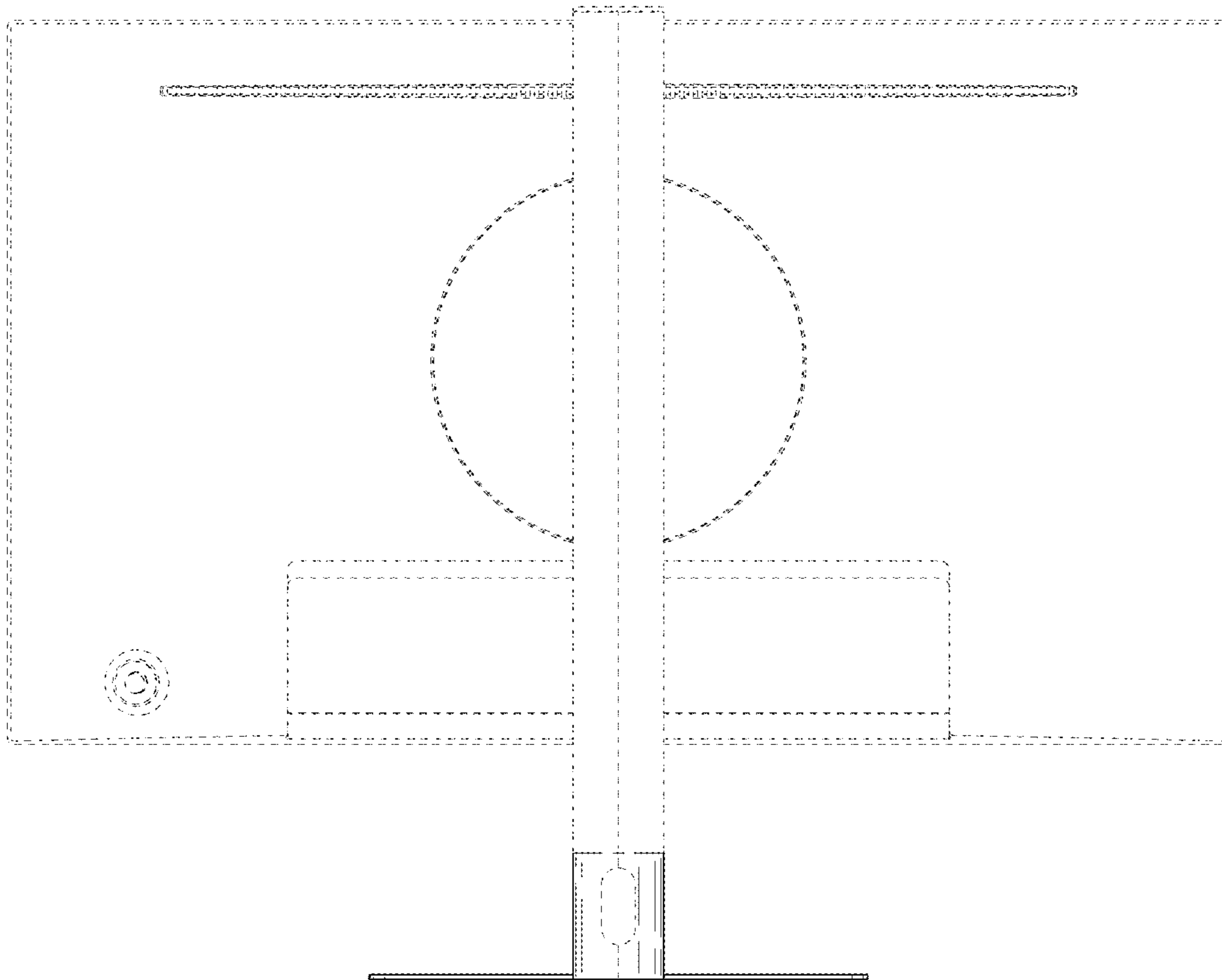


FIG. 4

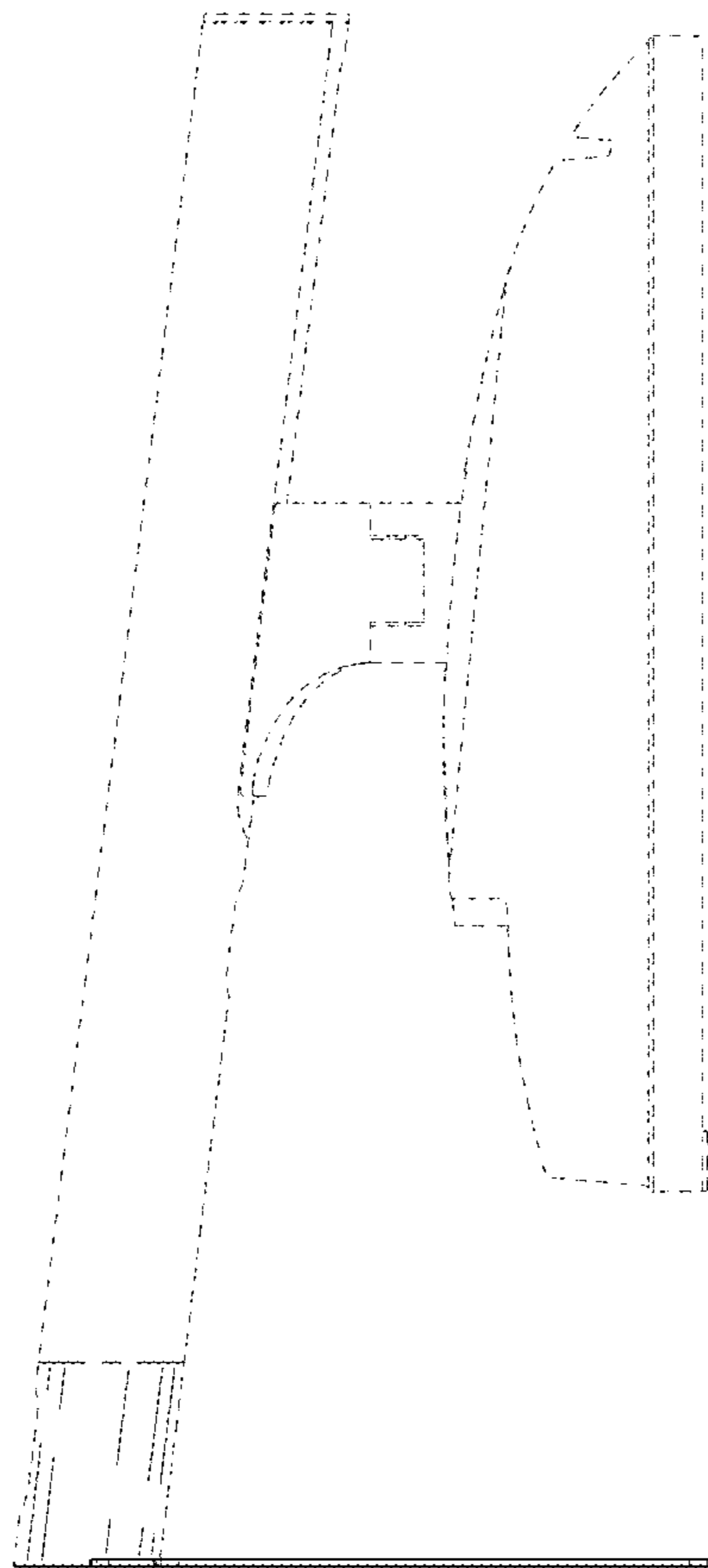


FIG. 5

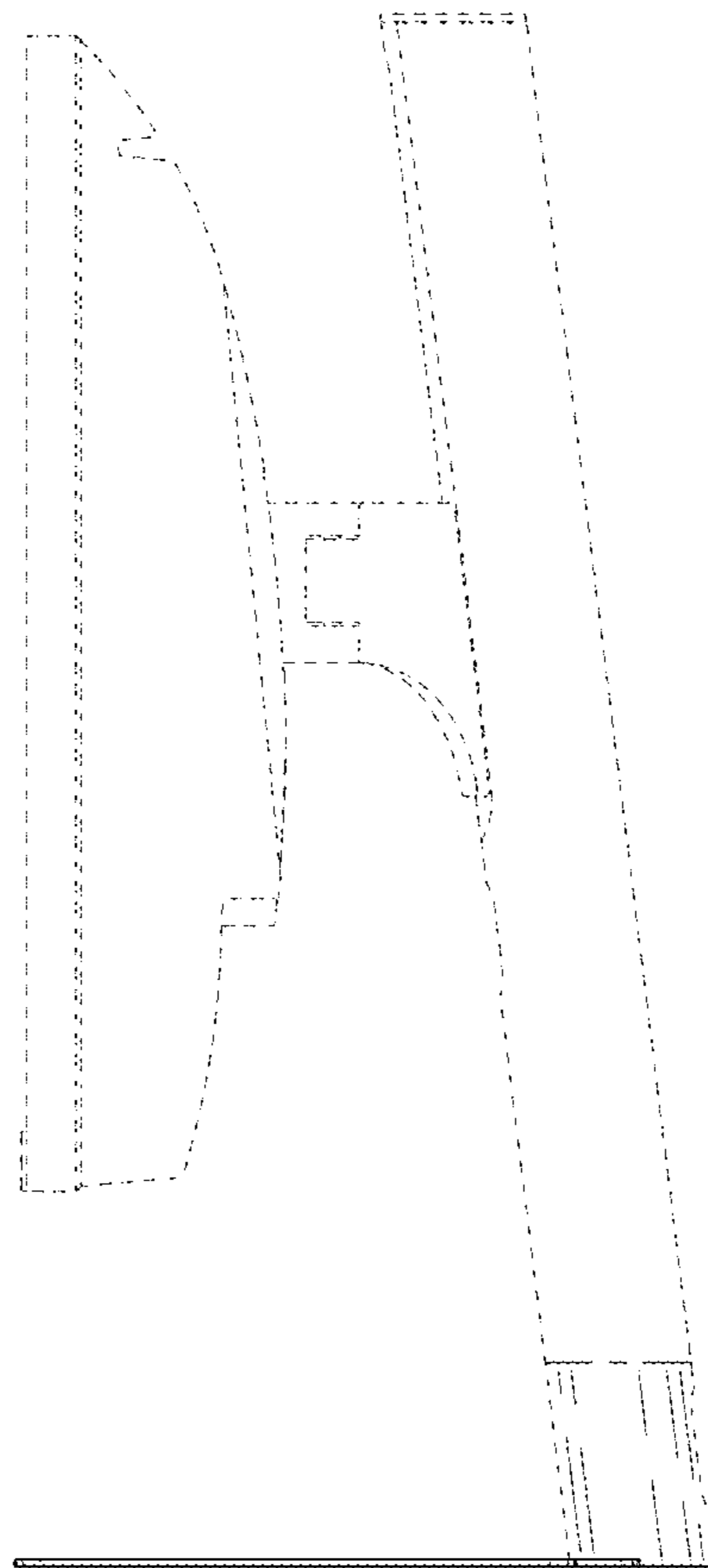


FIG. 6

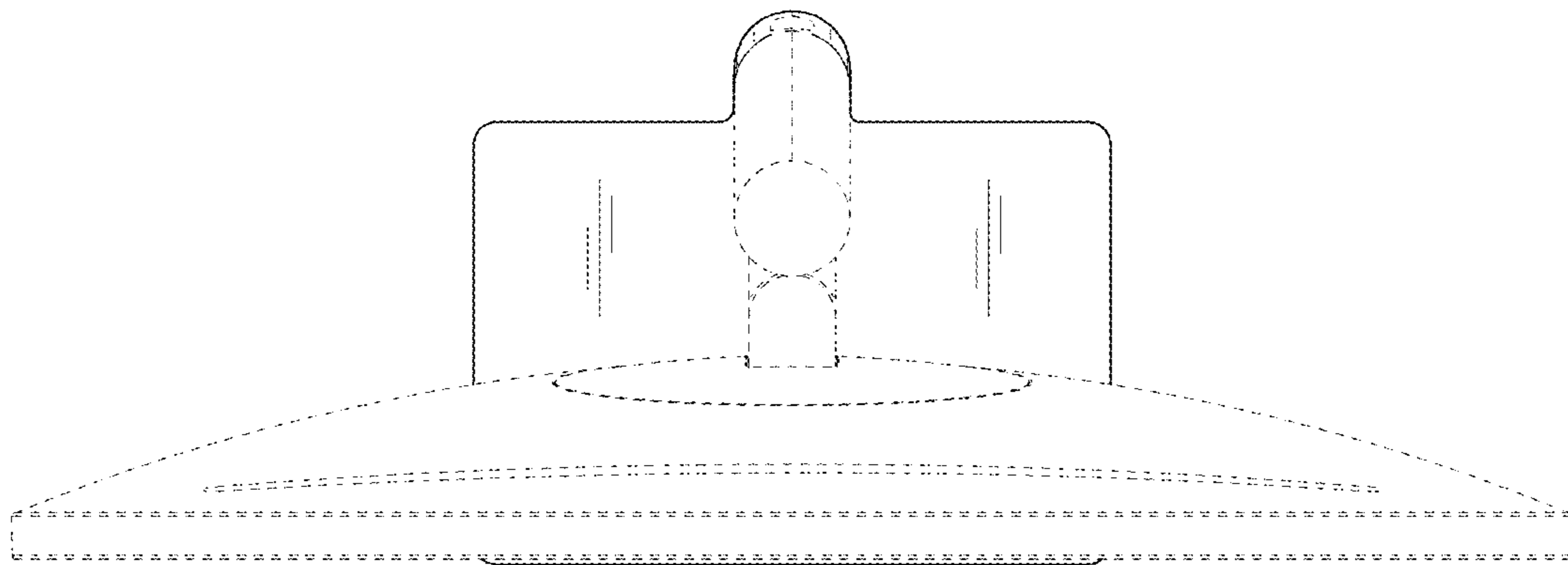


FIG. 7

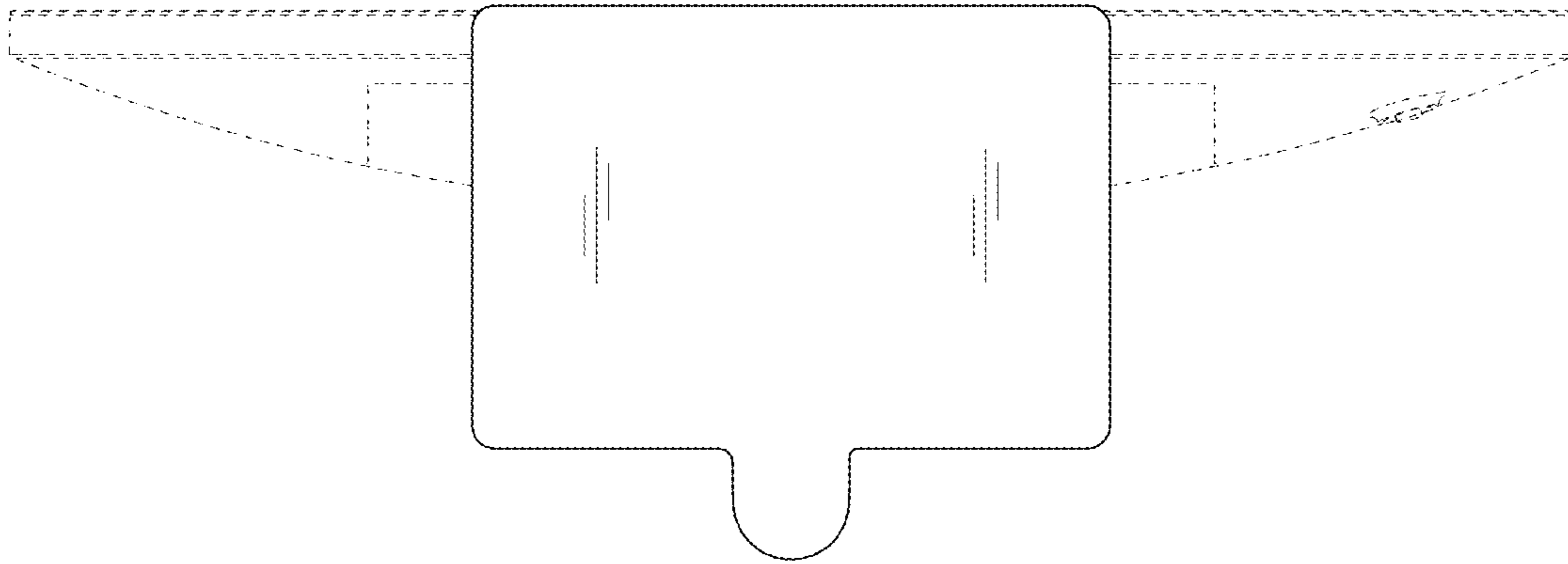


FIG. 8

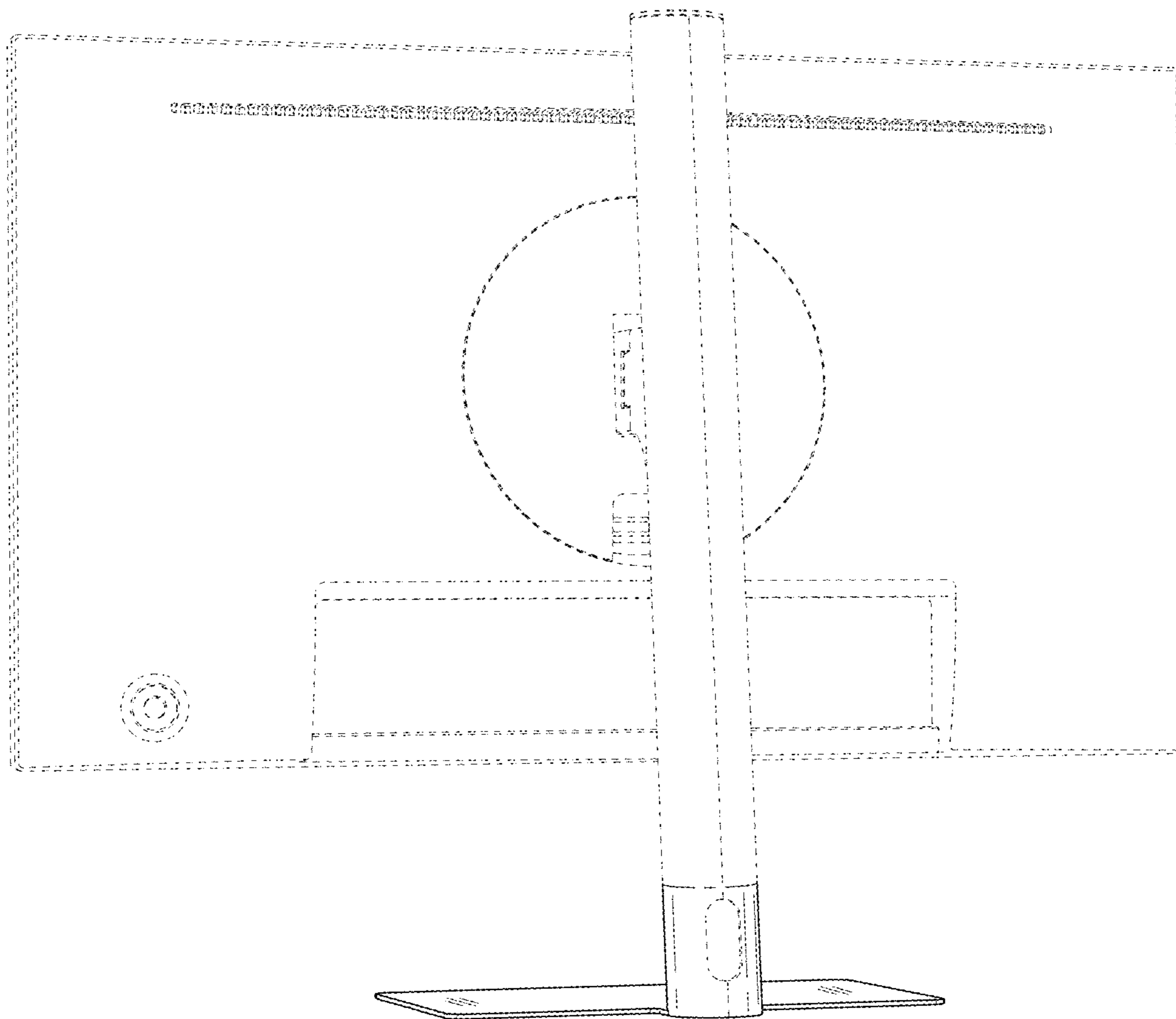


FIG. 9

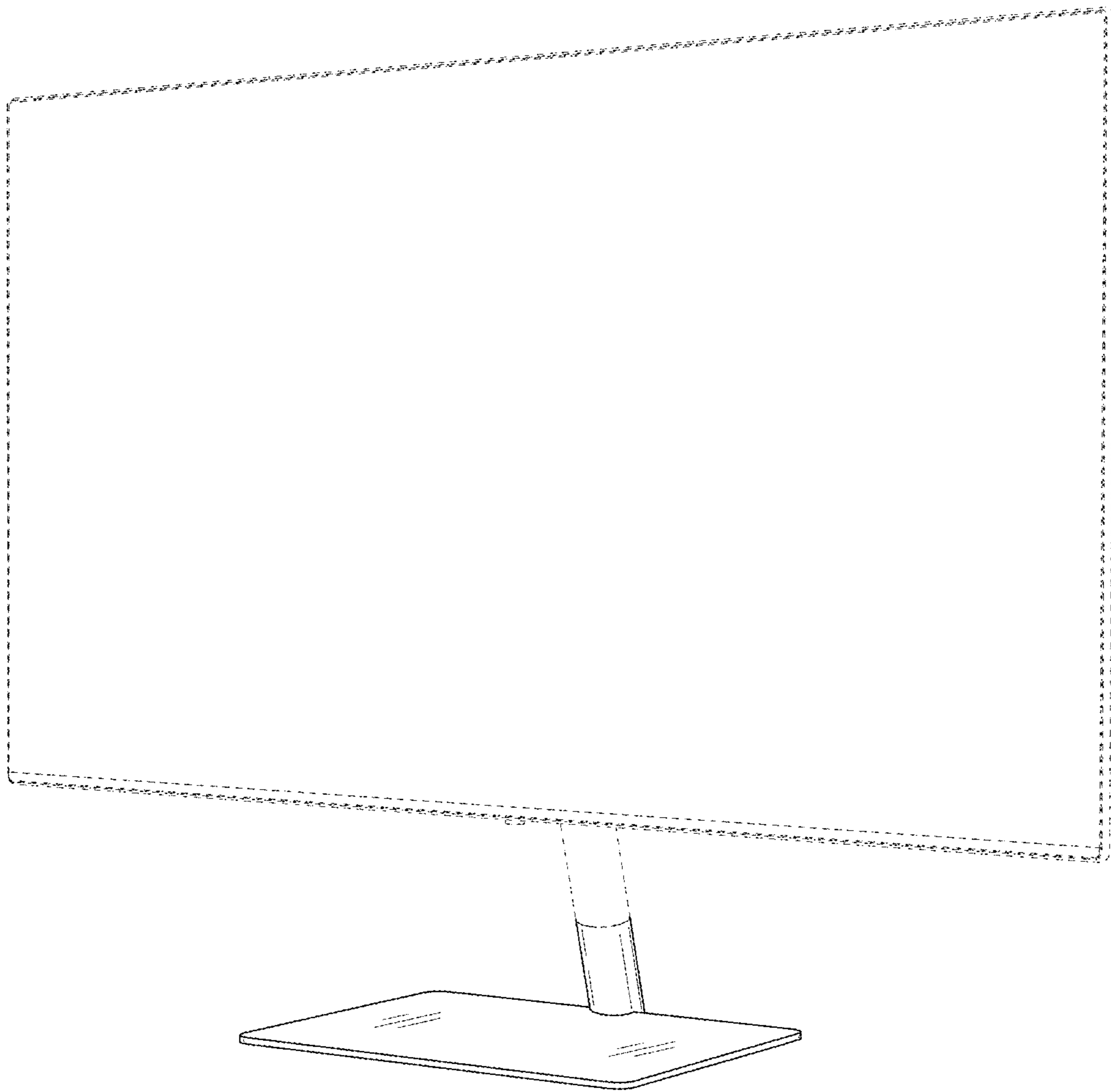


FIG. 10

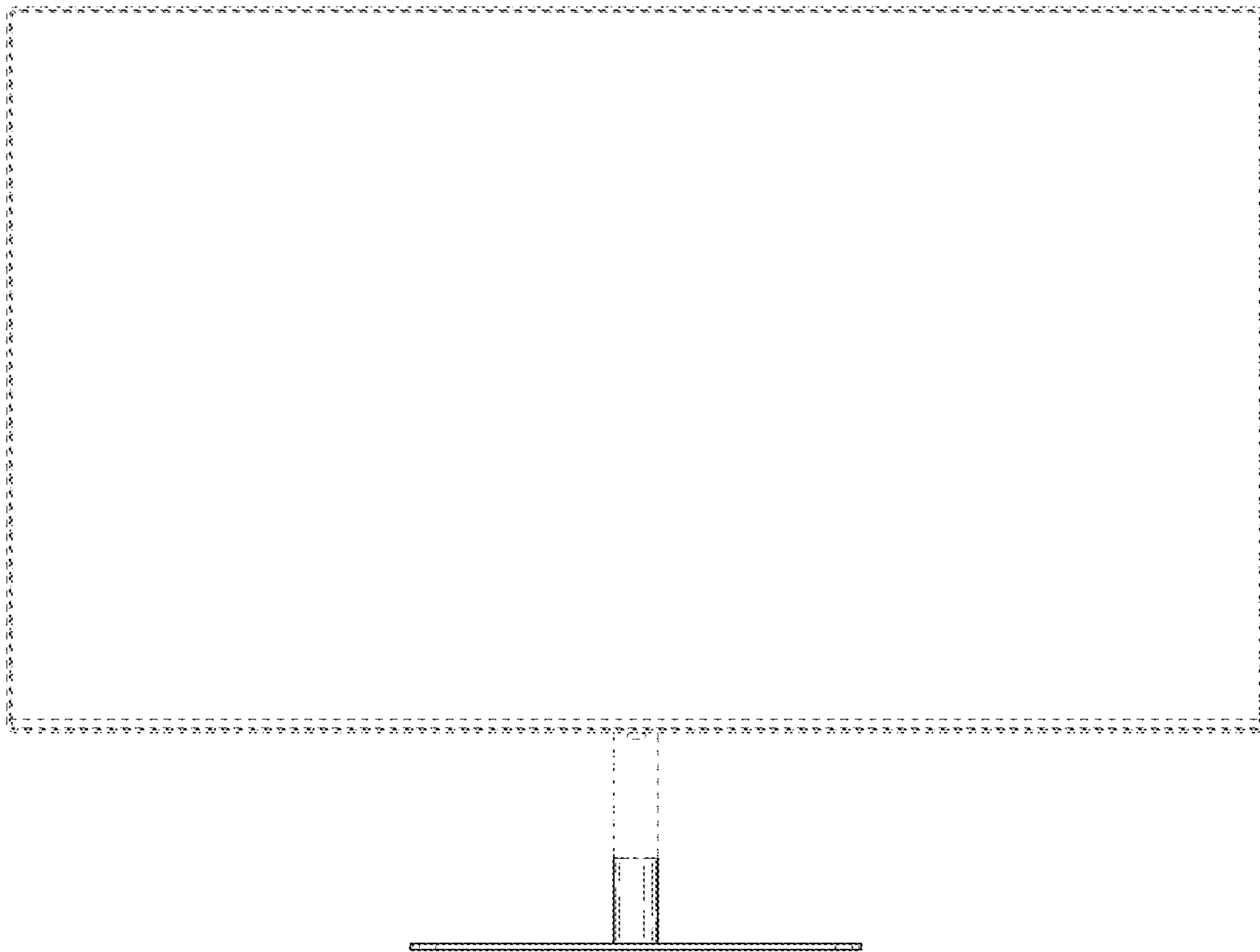


FIG. 11

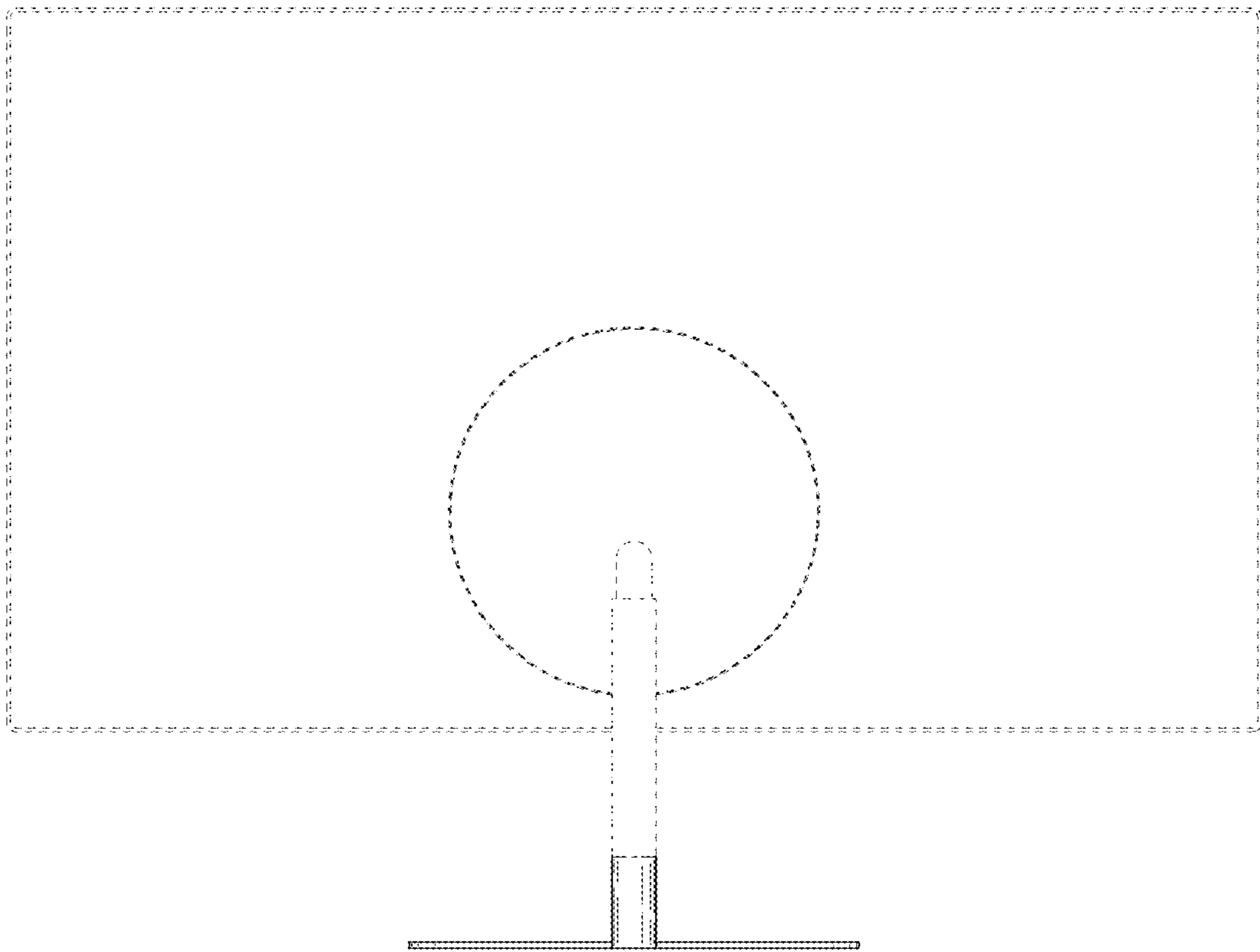


FIG. 12

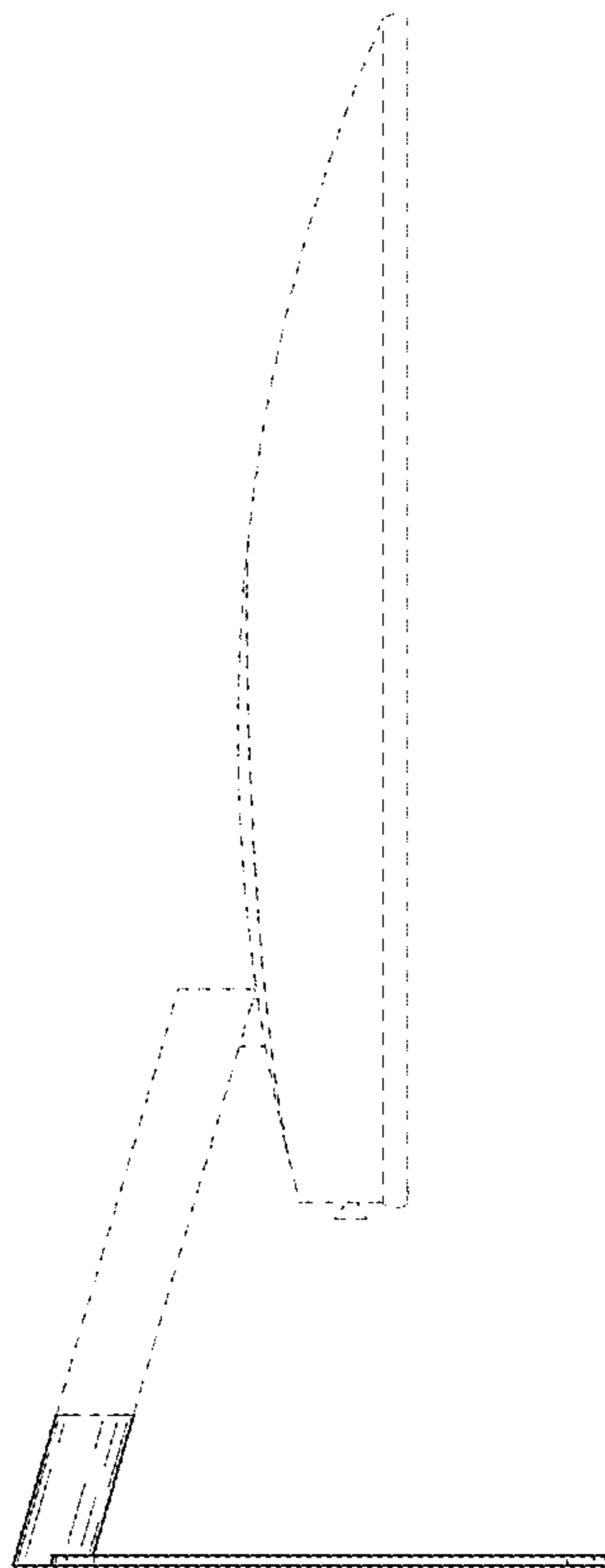


FIG. 13

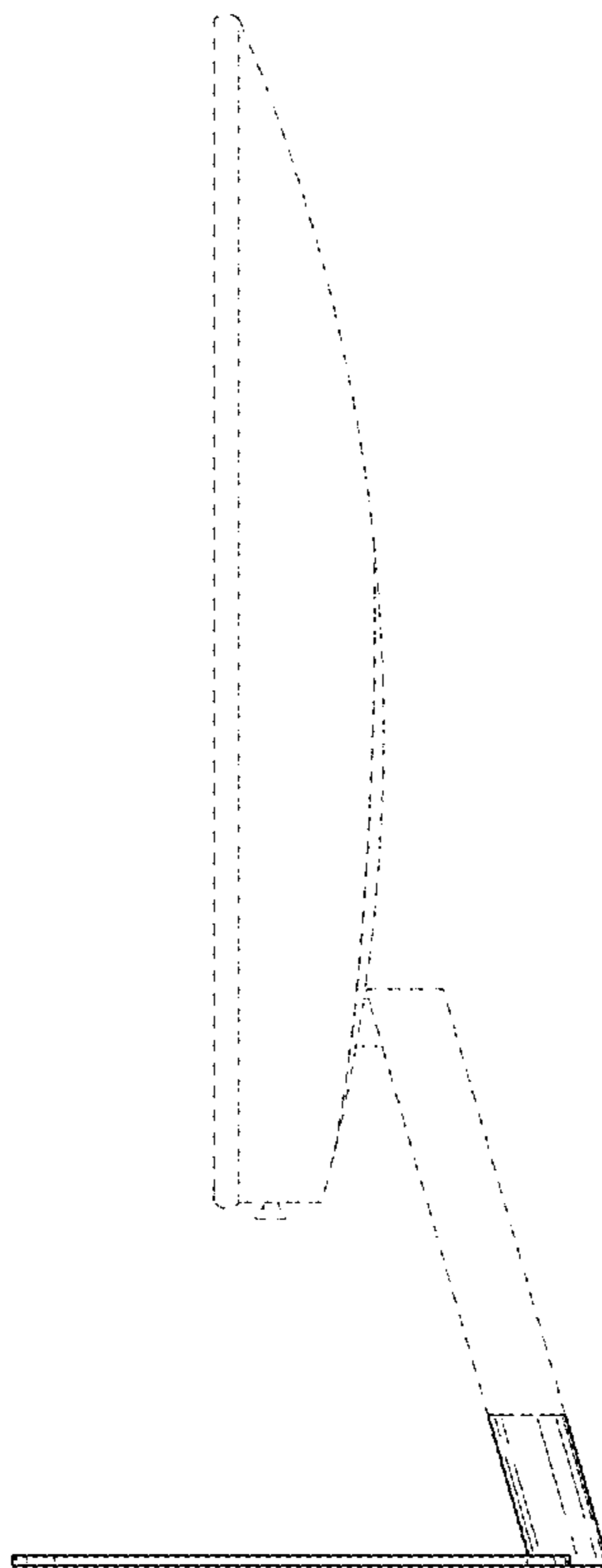


FIG. 14

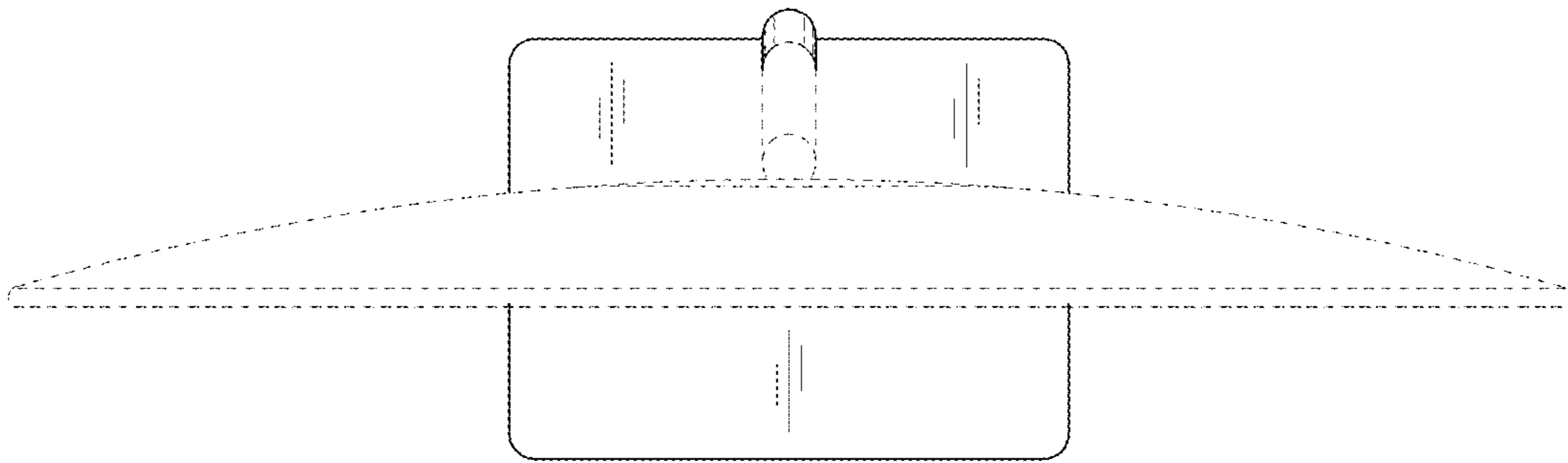


FIG. 15

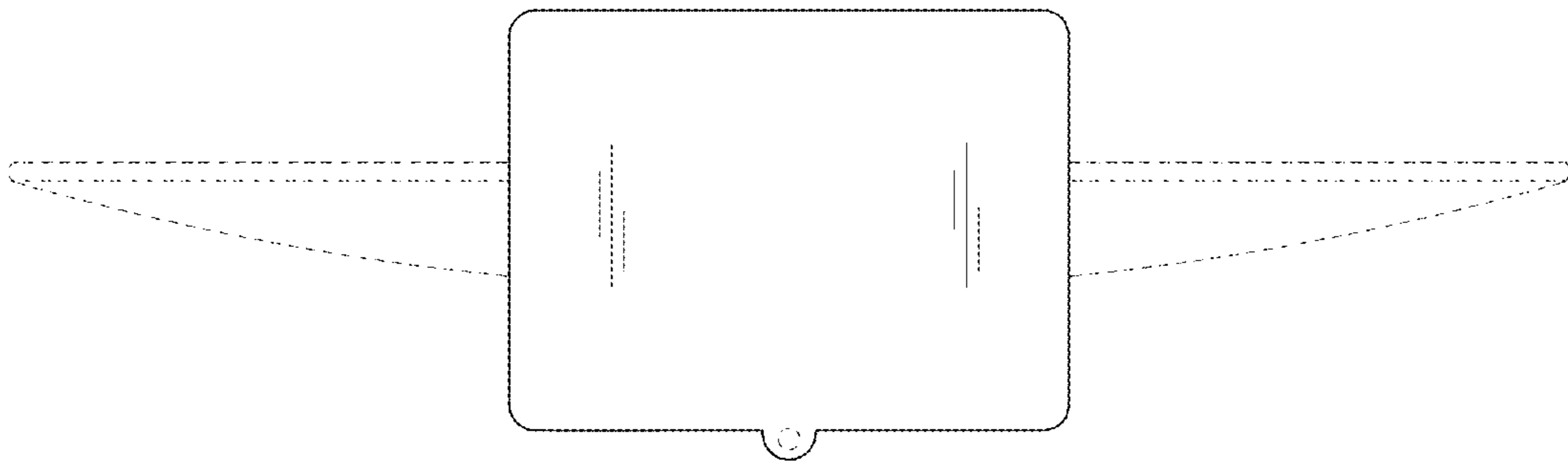


FIG. 16

