



US00D934878S

(12) **United States Design Patent** (10) **Patent No.:** **US D934,878 S**
Seo et al. (45) **Date of Patent:** **** *Nov. 2, 2021**

(54) **MONITOR**

(71) Applicant: **Samsung Electronics Co., Ltd.**,
Suwon-si (KR)

(72) Inventors: **Young-Jin Seo**, Suwon-si (KR);
Tae-Yeon Won, Suwon-si (KR)

(73) Assignee: **SAMSUNG ELECTRONICS CO., LTD.**,
Suwon-si (KR)

(*) Notice: This patent is subject to a terminal disclaimer.

(**) Term: **15 Years**

(21) Appl. No.: **29/735,810**

(22) Filed: **May 25, 2020**

(30) **Foreign Application Priority Data**

Nov. 27, 2019 (KR) 30-2019-0056924

(51) **LOC (13) Cl.** **14-02**

(52) **U.S. Cl.**
USPC **D14/451**

(58) **Field of Classification Search**
USPC D14/371-382, 125-129, 335-337,
D14/447-452, 492, 239, 457, 439-441,
D14/432, 251-253; D8/349, 354, 363,
D8/373, 376, 380; 348/180, 184, 325,
348/739, 825; D12/407, 415; D3/218;
341/12

CPC G06F 3/0412; G06F 3/016; G06F 3/0488;
G06F 3/011; G06F 3/038; G06F 3/03543;
G06F 3/0338; G06F 3/0202; G06F
3/0219; G06F 3/0213; G06F 1/1616;
G06F 3/023; G06F 3/04883; G02F
1/13338; G02F 1/1313; G02F 1/1333;
G02F 1/135; G02F 1/132; G02F
1/133308; G02F 1/134309; G02F
1/13718; G02F 7/70291; G09G 3/3648;
G06K 15/1252; G03F 7/70291; F16M
13/02; F16M 13/00; F16M 11/10; F16M

11/04; F16M 2200/08; F16M 11/2021;
H02G 3/126; A47G 1/17; A47K 2201/00;
B41J 2/465; G02B 27/0172; G02B
(Continued)

(56) **References Cited**

U.S. PATENT DOCUMENTS

D512,424 S * 12/2005 Kim D14/375
D592,621 S * 5/2009 Han D14/126
(Continued)

FOREIGN PATENT DOCUMENTS

CN 303816374 8/2016
CN 304359362 11/2017
(Continued)

Primary Examiner — Katie Jane Stofko

(74) *Attorney, Agent, or Firm* — McAndrews Held & Malloy, Ltd.

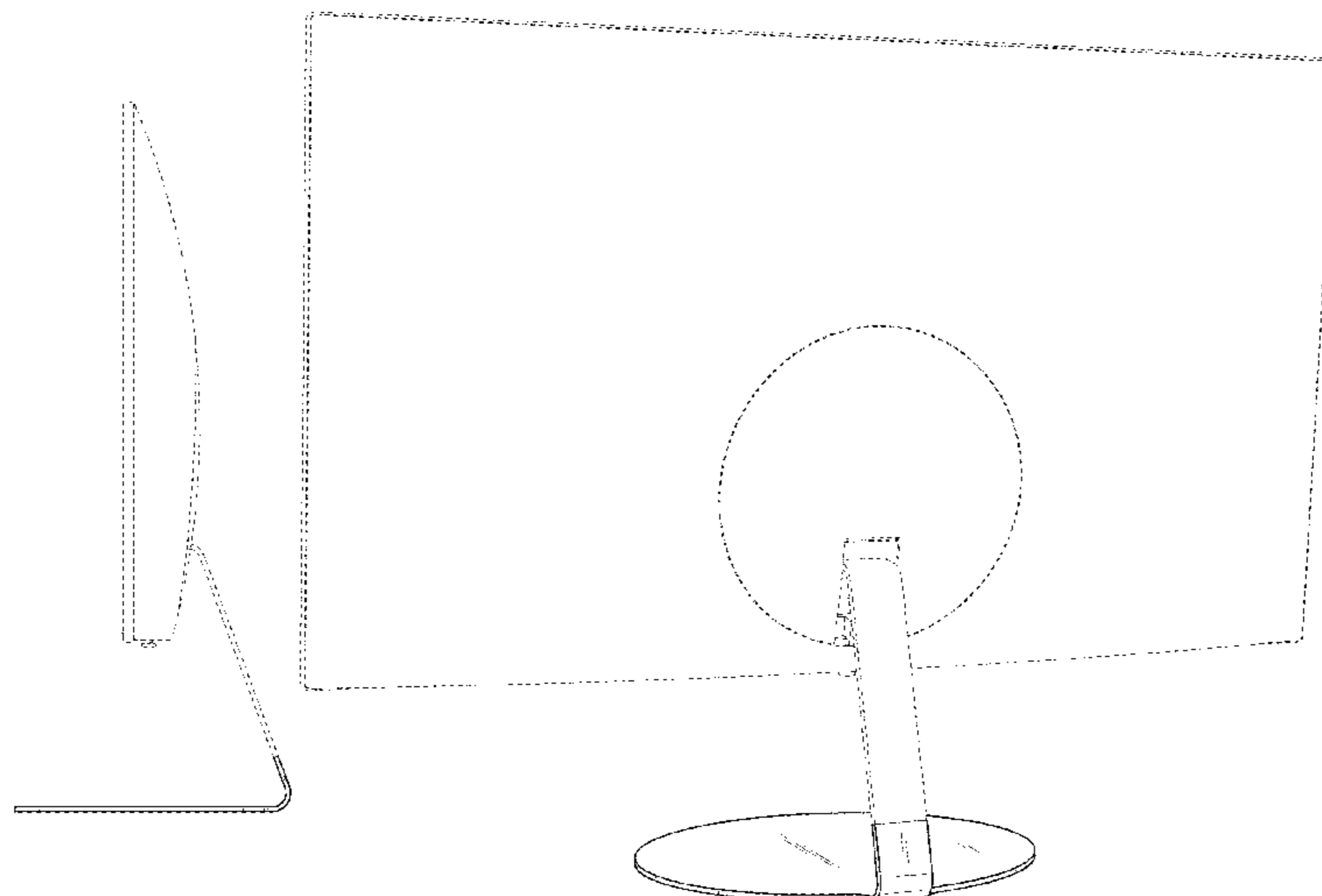
(57) **CLAIM**

The ornamental design for a monitor, as shown and described.

DESCRIPTION

FIG. 1 is a front perspective view of a monitor showing our new design;
FIG. 2 is a front elevation view thereof;
FIG. 3 is a rear elevation view thereof;
FIG. 4 is a left side elevation view thereof;
FIG. 5 is a right side elevation view thereof;
FIG. 6 is a top plan view thereof;
FIG. 7 is a bottom plan view thereof; and,
FIG. 8 is a rear perspective view thereof.
The evenly dashed broken lines in the drawings illustrate portions of the monitor that form no part of the claimed design.
The dot-dash broken lines in the drawings define the boundary of the claimed design and form no part thereof.

1 Claim, 8 Drawing Sheets



(58) **Field of Classification Search**

CPC 5/30; G02B 2027/0118; G02B 27/0101;
A47B 21/0314; A47B 88/044; A47B
2021/0335; F16B 47/00; F16B 47/006
See application file for complete search history.

(56) **References Cited**

U.S. PATENT DOCUMENTS

D617,801	S	*	6/2010	Chang	D14/451
D622,233	S	*	8/2010	Shin	D14/126
D624,062	S	*	9/2010	Kasuga	D14/239
D667,826	S	*	9/2012	Lee	D14/374
D681,647	S	*	5/2013	Choi	D14/451
D733,157	S	*	6/2015	Kim	D14/447
D750,078	S	*	2/2016	Kim	D14/375
D776,668	S		1/2017	Wallace et al.		
D805,522	S	*	12/2017	Won	D14/451
D817,958	S	*	5/2018	Won	D14/374
D822,032	S	*	7/2018	Kwon	D14/451
2011/0096486	A1	*	4/2011	Oh	F16M 11/10 361/679.21

FOREIGN PATENT DOCUMENTS

CN	305216820	6/2019
WO	DM/099715	8/2018

* cited by examiner

FIG. 1

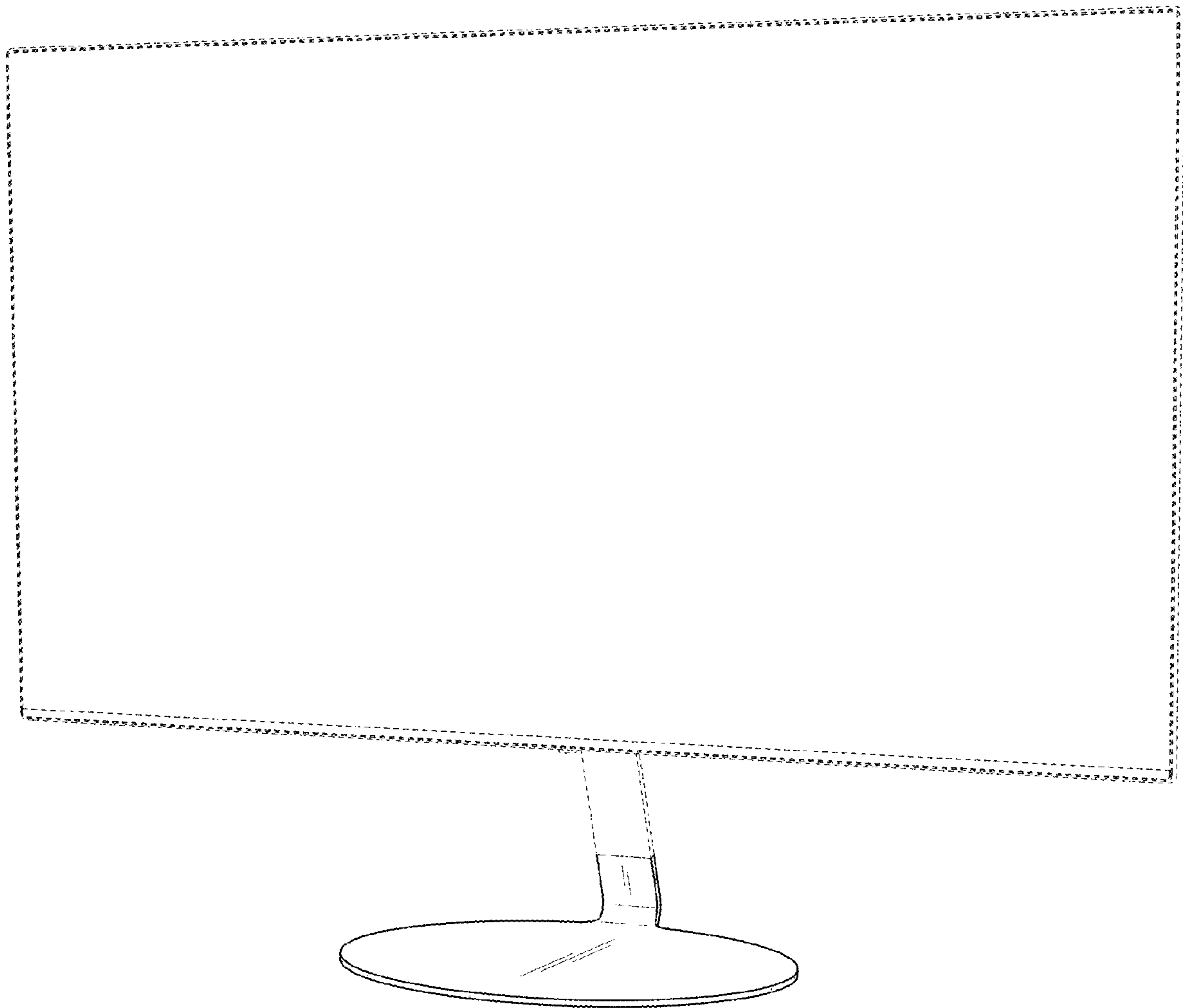


FIG. 2

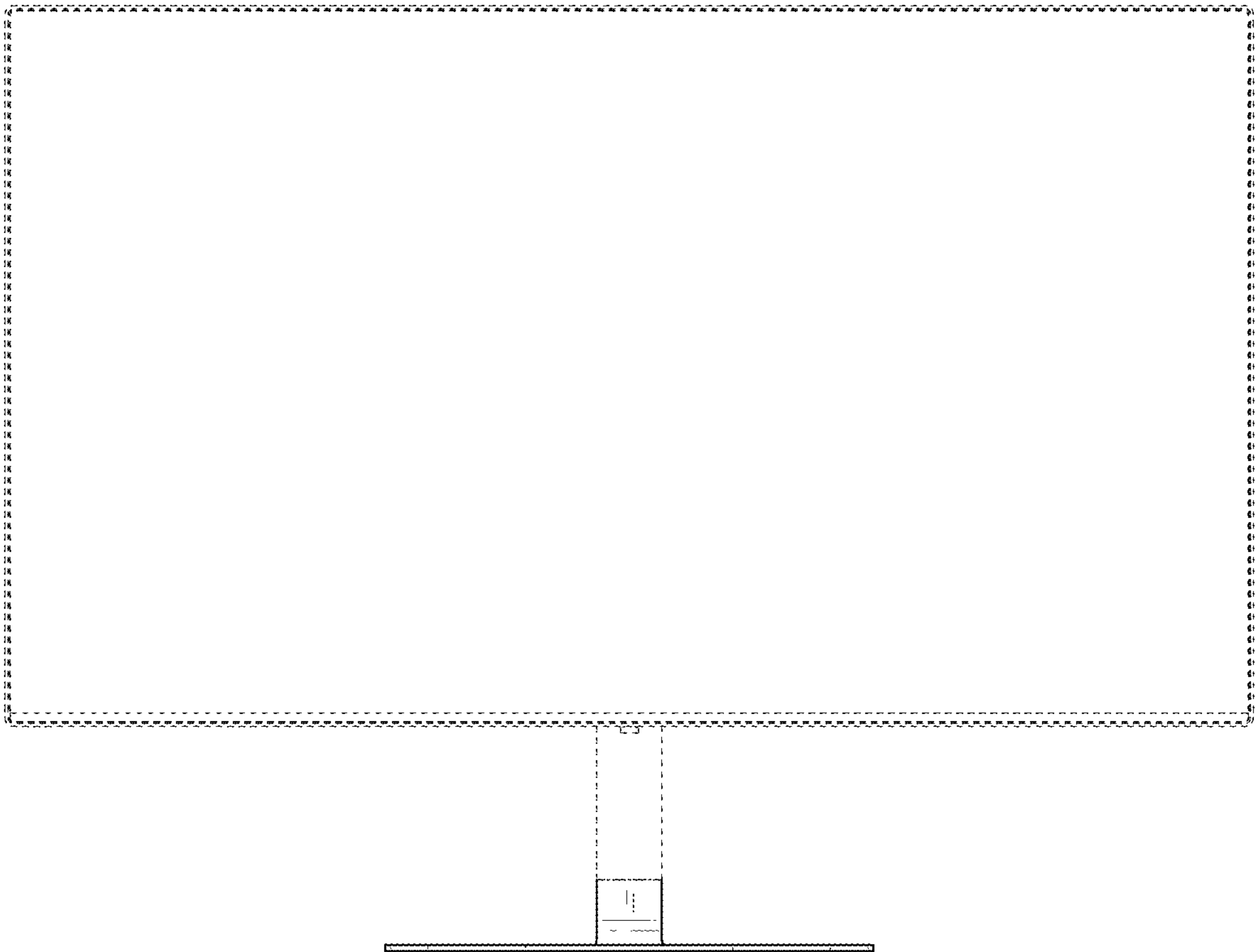


FIG. 3

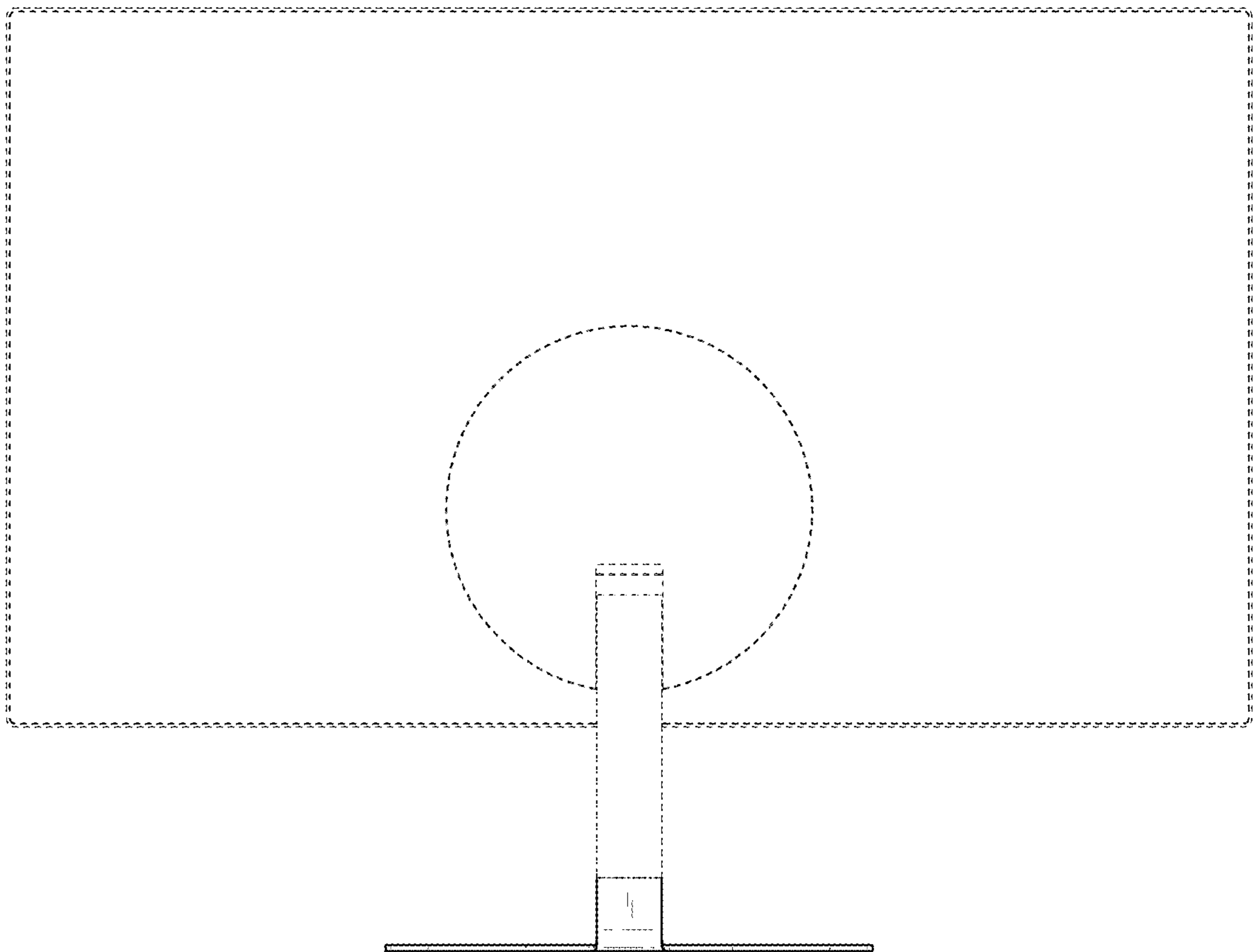


FIG. 4

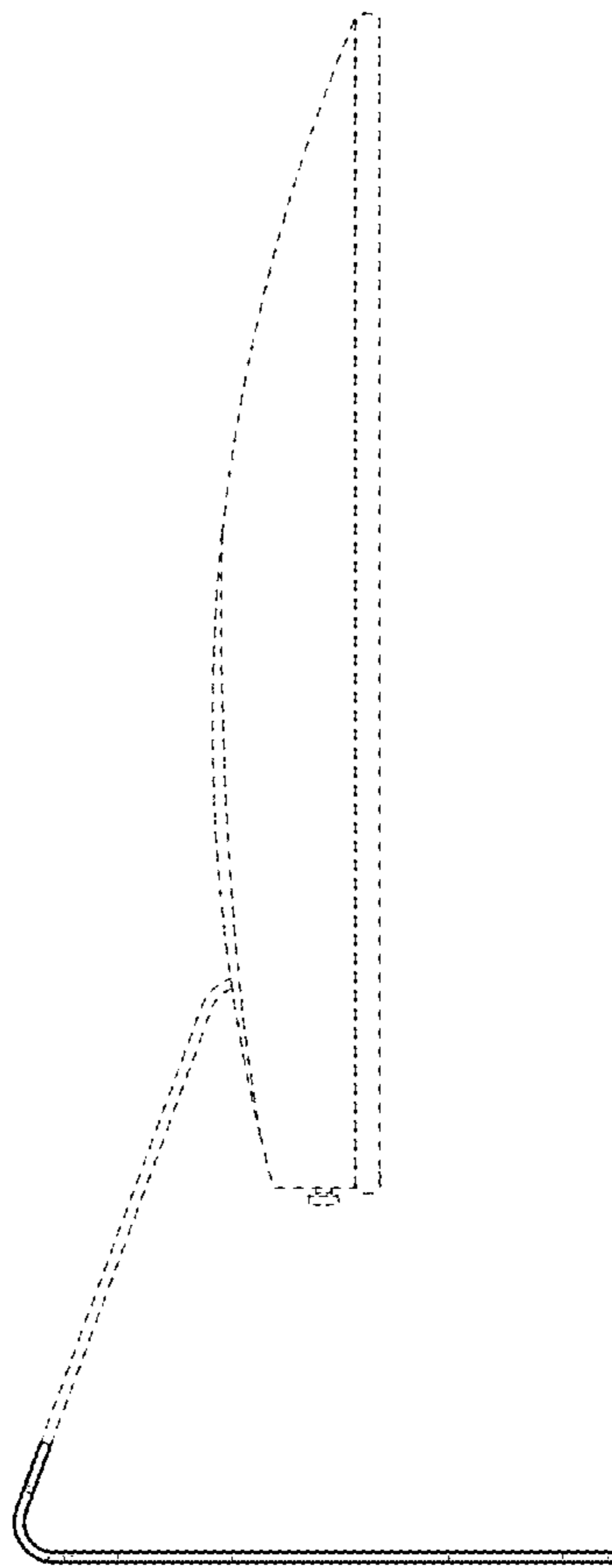


FIG. 5

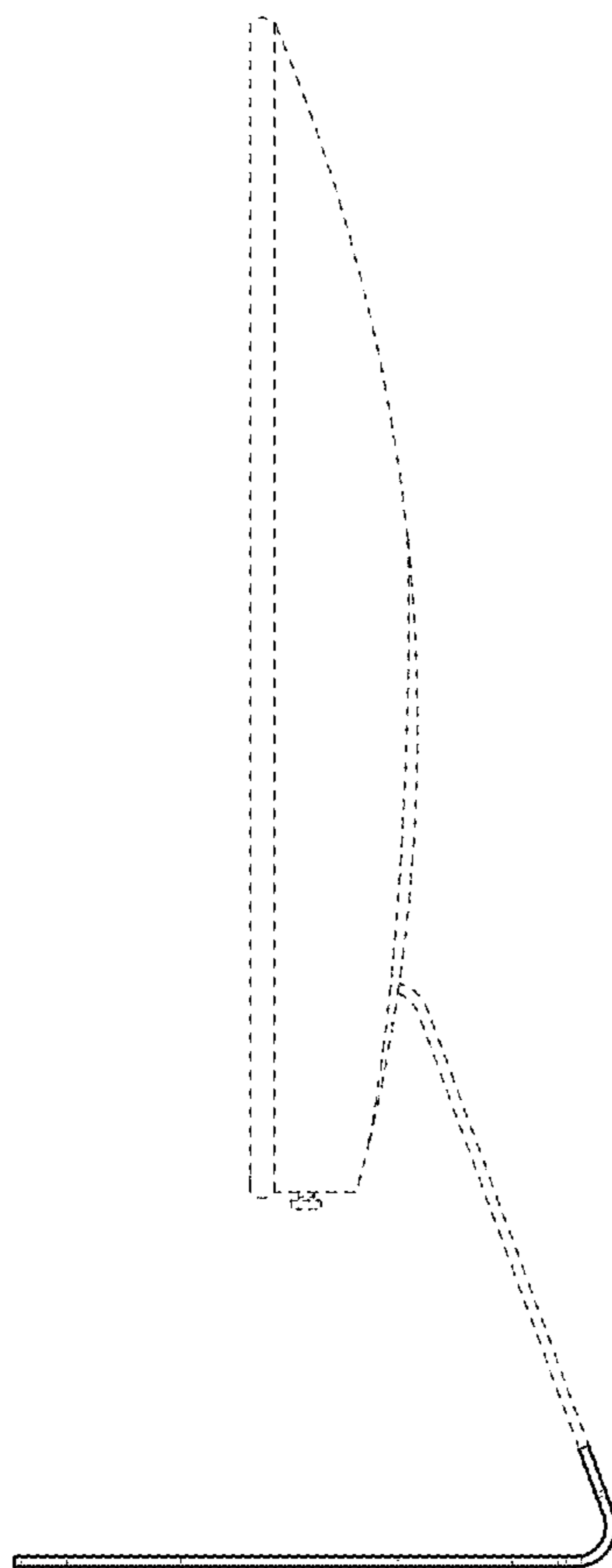


FIG. 6

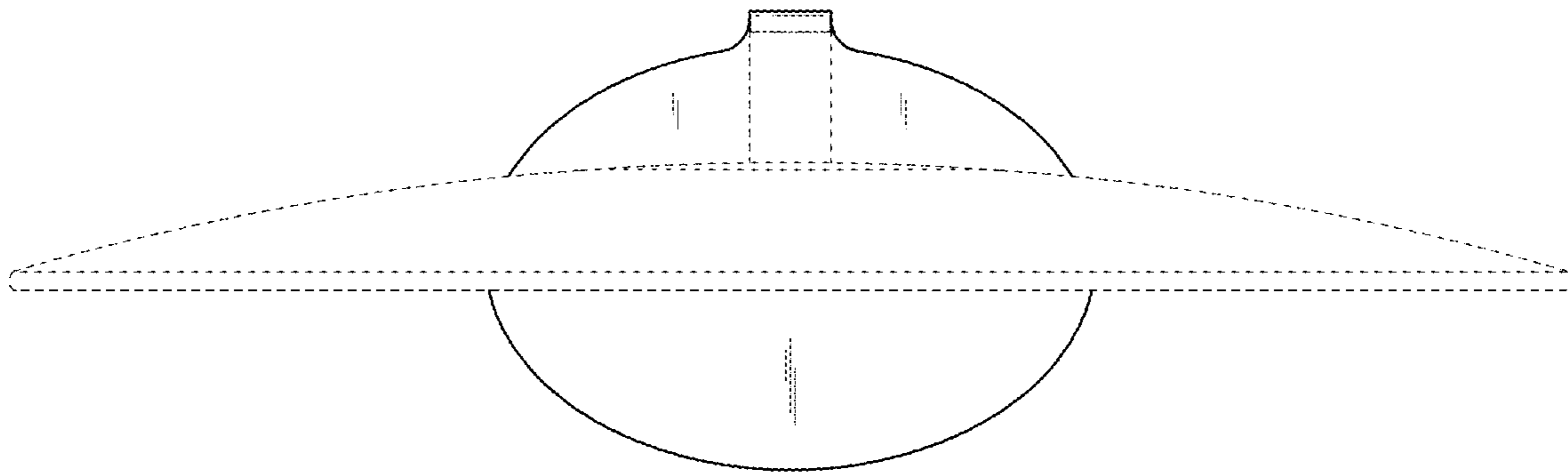


FIG. 7

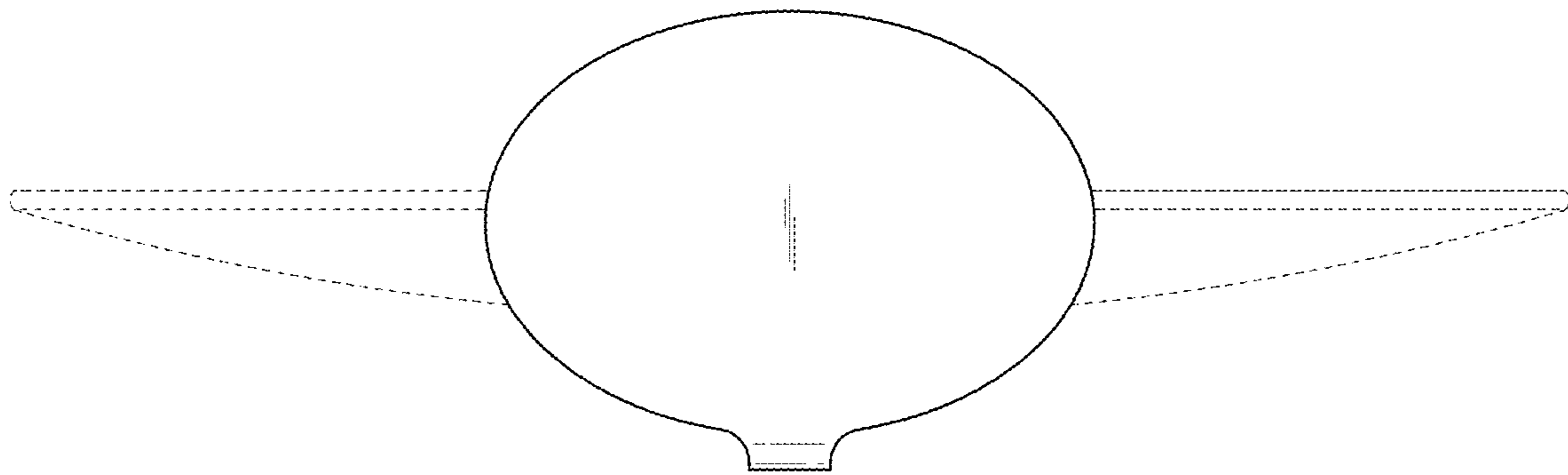


FIG. 8

