

US00D934877S

(12) **United States Design Patent** (10) **Patent No.:** **US D934,877 S**
Seo et al. (45) **Date of Patent:** **** Nov. 2, 2021**

(54) **MONITOR**

2200/08; F16M 11/2021; A47B 21/0314;
A47B 88/044; A47B 2021/0335; H02G
3/126;

(71) Applicant: **Samsung Electronics Co., Ltd.**,
Suwon-si (KR)

(Continued)

(72) Inventors: **Young-Jin Seo**, Suwon-si (KR);
Tae-Yeon Won, Suwon-si (KR)

(56) **References Cited**

(73) Assignee: **SAMSUNG ELECTRONICS CO., LTD.**,
Suwon-si (KR)

U.S. PATENT DOCUMENTS

(**) Term: **15 Years**

D512,424 S * 12/2005 Kim D14/375
D592,621 S * 5/2009 Han D14/126
D617,801 S * 6/2010 Chang D14/451

(Continued)

(21) Appl. No.: **29/735,809**

FOREIGN PATENT DOCUMENTS

(22) Filed: **May 25, 2020**

CN 303816374 8/2016
CN 304359362 11/2017

(30) **Foreign Application Priority Data**

(Continued)

Nov. 27, 2019 (KR) 30-2019-0056924

Primary Examiner — Katie Jane Stofko

(51) **LOC (13) Cl.** **14-02**

(74) *Attorney, Agent, or Firm* — McAndrews Held &
Malloy, Ltd.

(52) **U.S. Cl.**

USPC **D14/451**

(58) **Field of Classification Search**

(57) **CLAIM**

USPC D14/371–382, 125–129, 335–337,
D14/447–452, 492, 239, 457, 439–441,
D14/432, 251–253, 126; D8/349, 354,
D8/363, 373, 376, 380; 348/180, 184,
348/325, 739, 825; D12/407, 415;
D3/218; 341/12

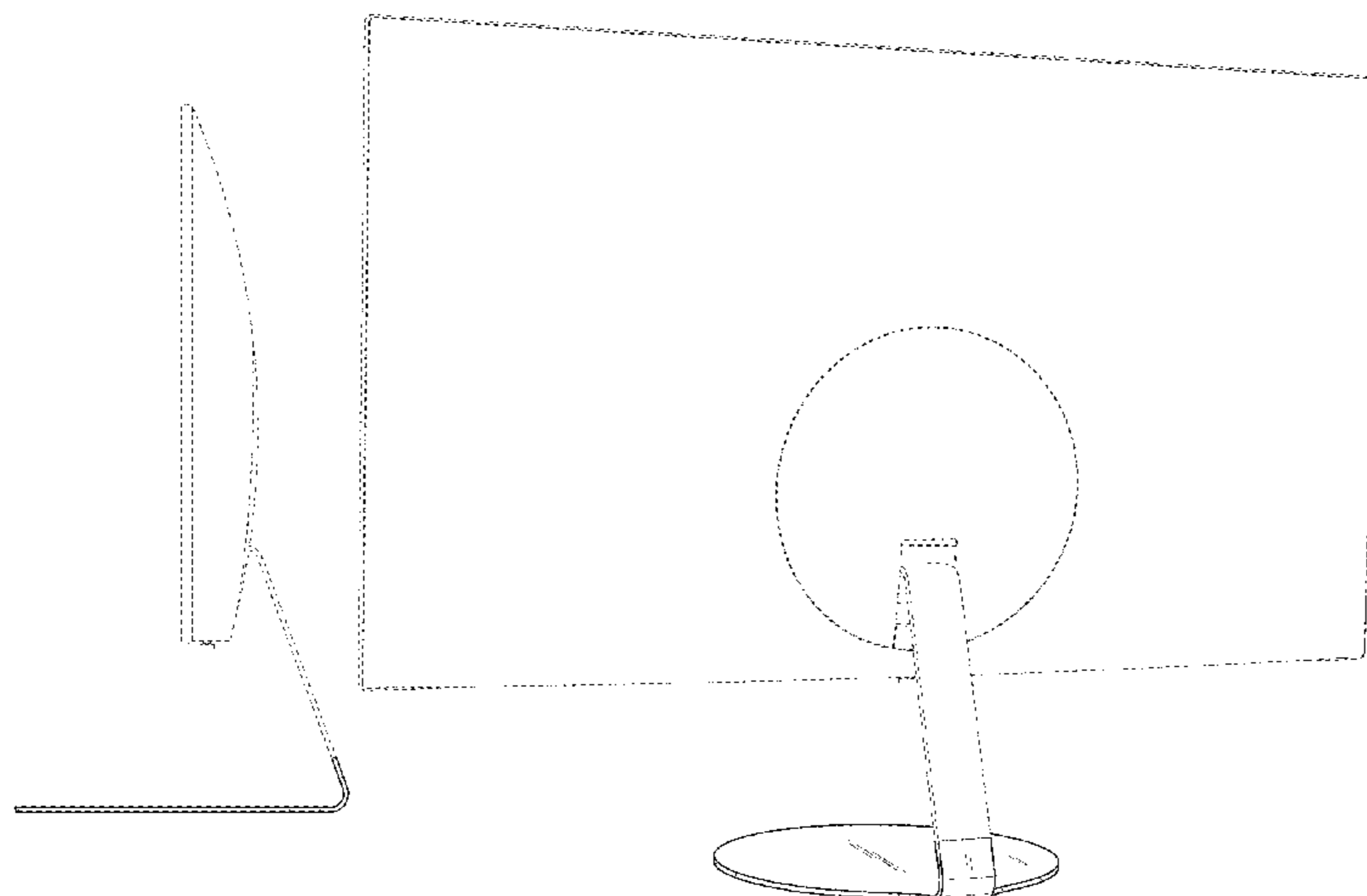
The ornamental design for a monitor, as shown and
described.

CPC G06F 3/0412; G06F 3/016; G06F 3/0488;
G06F 3/011; G06F 3/038; G06F 3/03543;
G06F 3/0338; G06F 3/0202; G06F
3/0219; G06F 3/0213; G06F 1/1616;
G06F 3/023; G06F 3/04883; G02F
1/13338; G02F 1/1313; G02F 1/1333;
G02F 1/135; G02F 1/132; G02F
1/133308; G02F 1/134309; G02F
1/13718; G09G 3/3648; G06K 15/1252;
B41J 2/465; G03F 7/70291; G02B
27/0172; G02B 5/30; G02B 2027/0118;
G02B 27/0101; F16M 13/02; F16M
13/00; F16M 11/10; F16M 11/04; F16M

DESCRIPTION

FIG. 1 is a front perspective view of a monitor showing our
new design;
FIG. 2 is a front elevation view thereof;
FIG. 3 is a rear elevation view thereof;
FIG. 4 is a left side elevation view thereof;
FIG. 5 is a right side elevation view thereof;
FIG. 6 is a top plan view thereof;
FIG. 7 is a bottom plan view thereof; and,
FIG. 8 is a rear perspective view thereof.
The evenly dashed broken lines in the drawings illustrate
portions of the monitor that form no part of the claimed
design.

(Continued)



The dot-dash broken lines in the drawings define the boundary of the claimed design and form no part thereof.

1 Claim, 8 Drawing Sheets

(58) Field of Classification Search

CPC F16B 47/00; F16B 47/006; A47G 1/17;
A47K 2201/00

See application file for complete search history.

(56) References Cited

U.S. PATENT DOCUMENTS

D622,233	S	*	8/2010	Shin	D14/126
D624,062	S	*	9/2010	Kasuga	D14/239
D667,826	S	*	9/2012	Lee	D14/374
D681,647	S	*	5/2013	Choi	D14/451
D733,157	S	*	6/2015	Kim	D14/447
D750,078	S	*	2/2016	Kim	D14/375
D776,668	S		1/2017	Wallace et al.		
D805,522	S	*	12/2017	Won	D14/451
D817,958	S	*	5/2018	Won	D14/374
D822,032	S	*	7/2018	Kwon	D14/451
2011/0096486	A1	*	4/2011	Oh	F16M 11/10 361/679.21

FOREIGN PATENT DOCUMENTS

CN	305216820	6/2019
WO	DM/099715	8/2018

* cited by examiner

FIG. 1

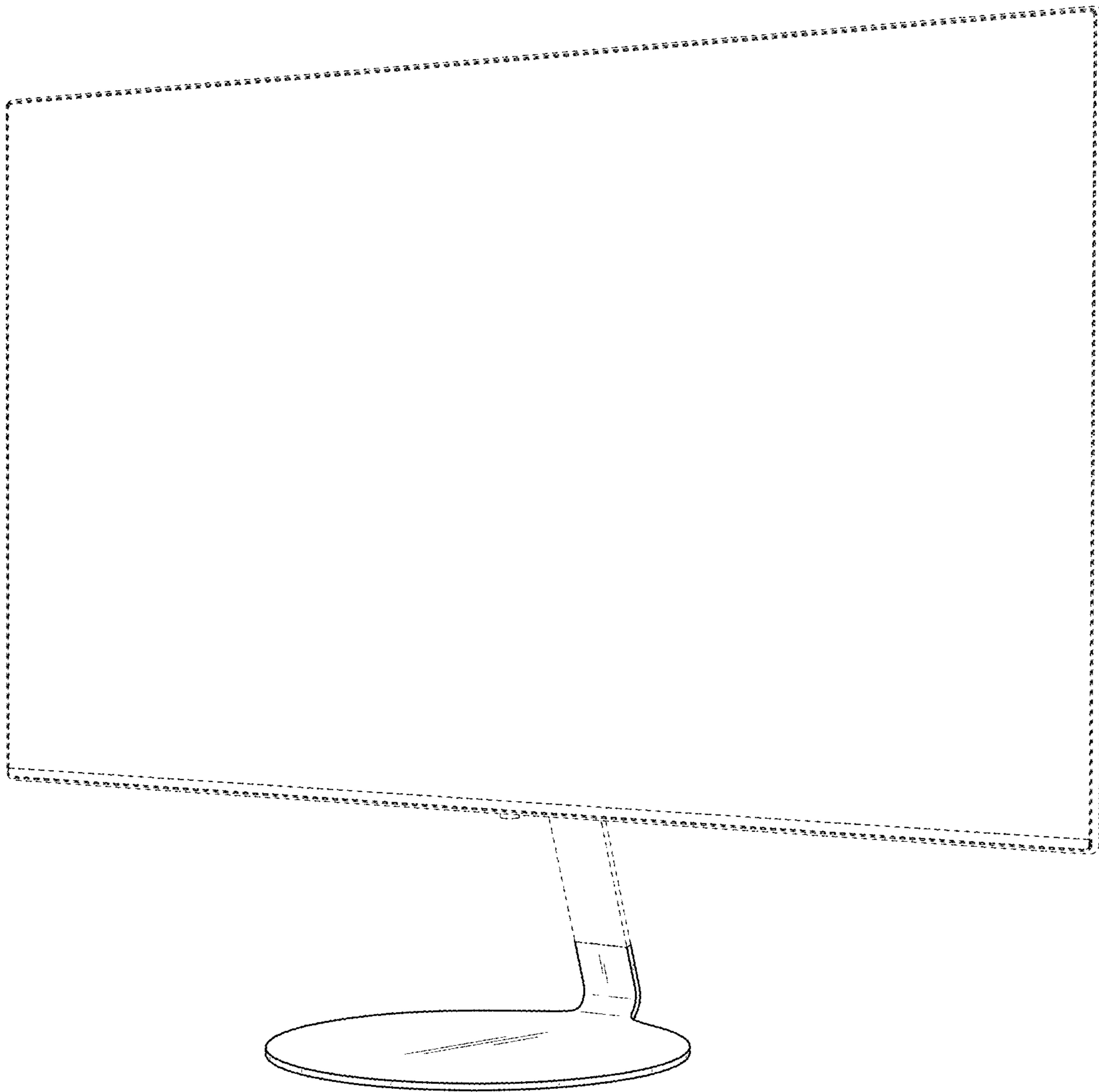


FIG. 2

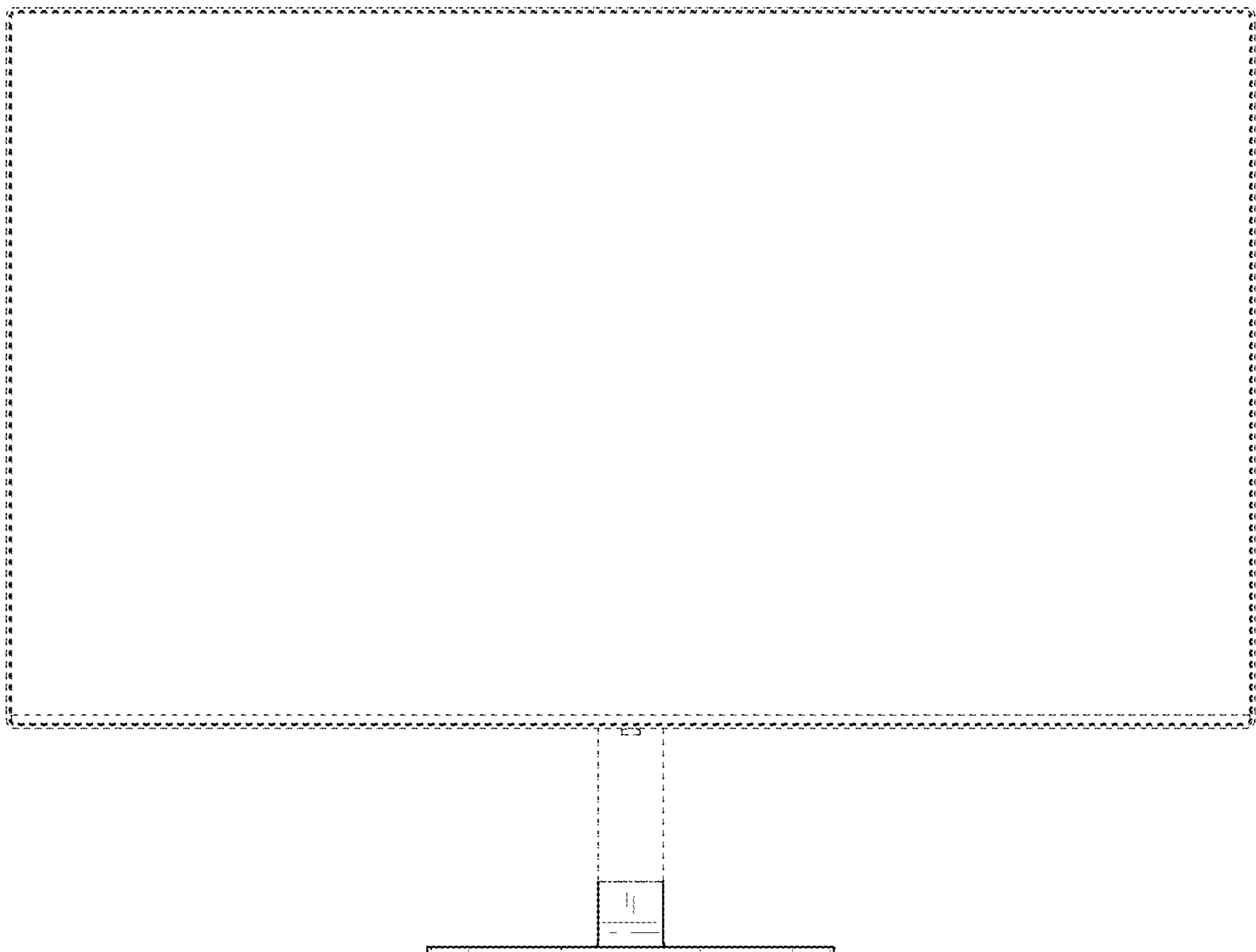


FIG. 3

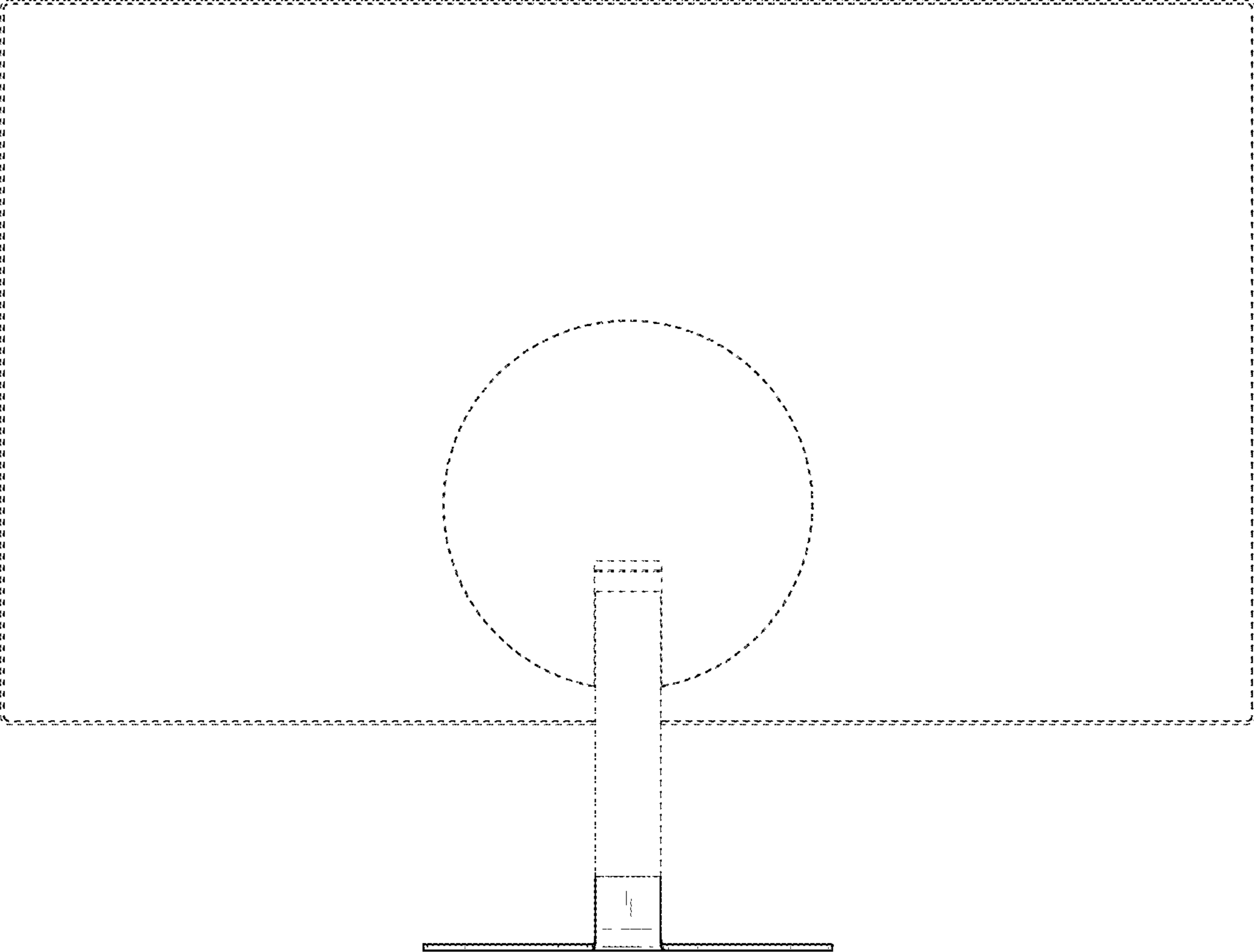


FIG. 4

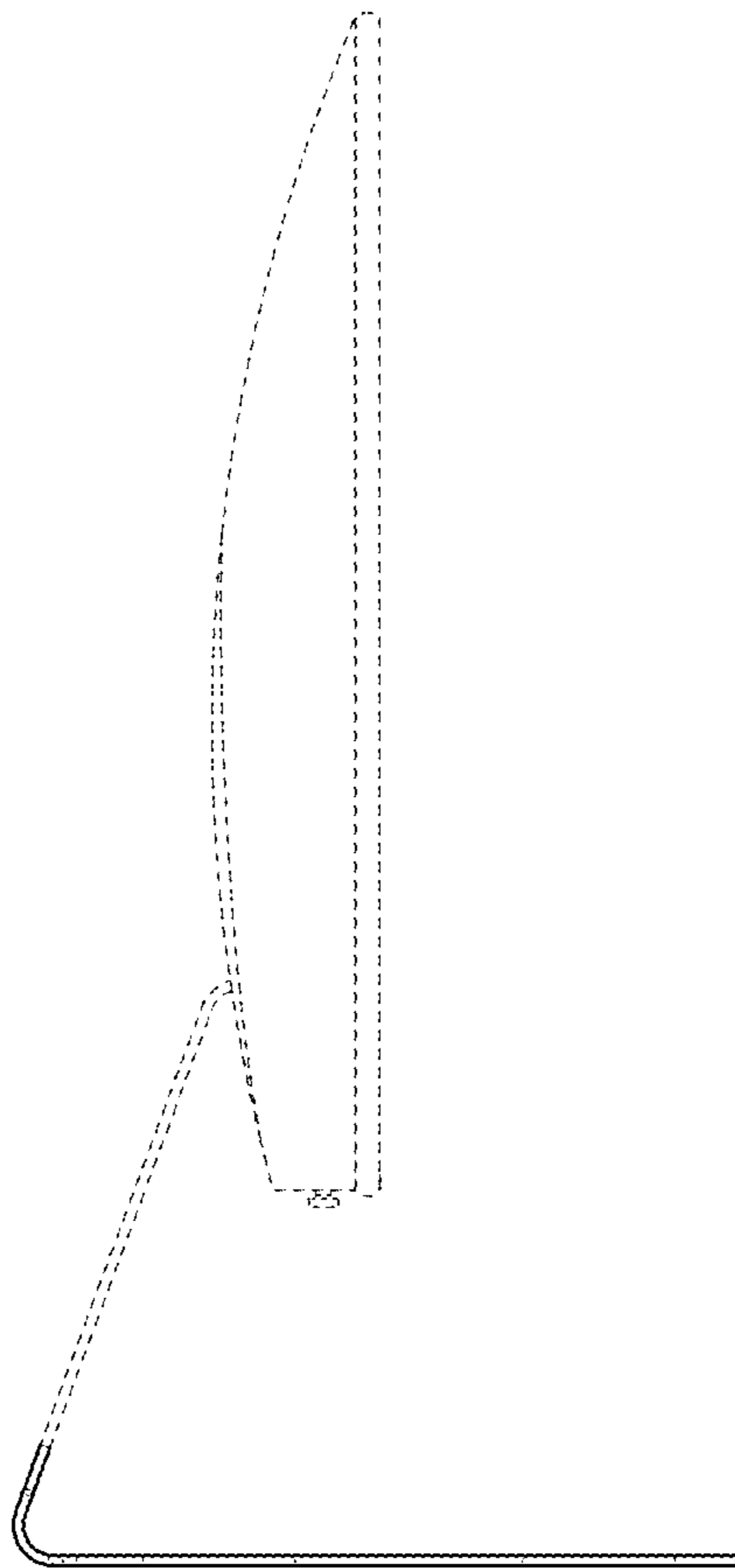


FIG. 5

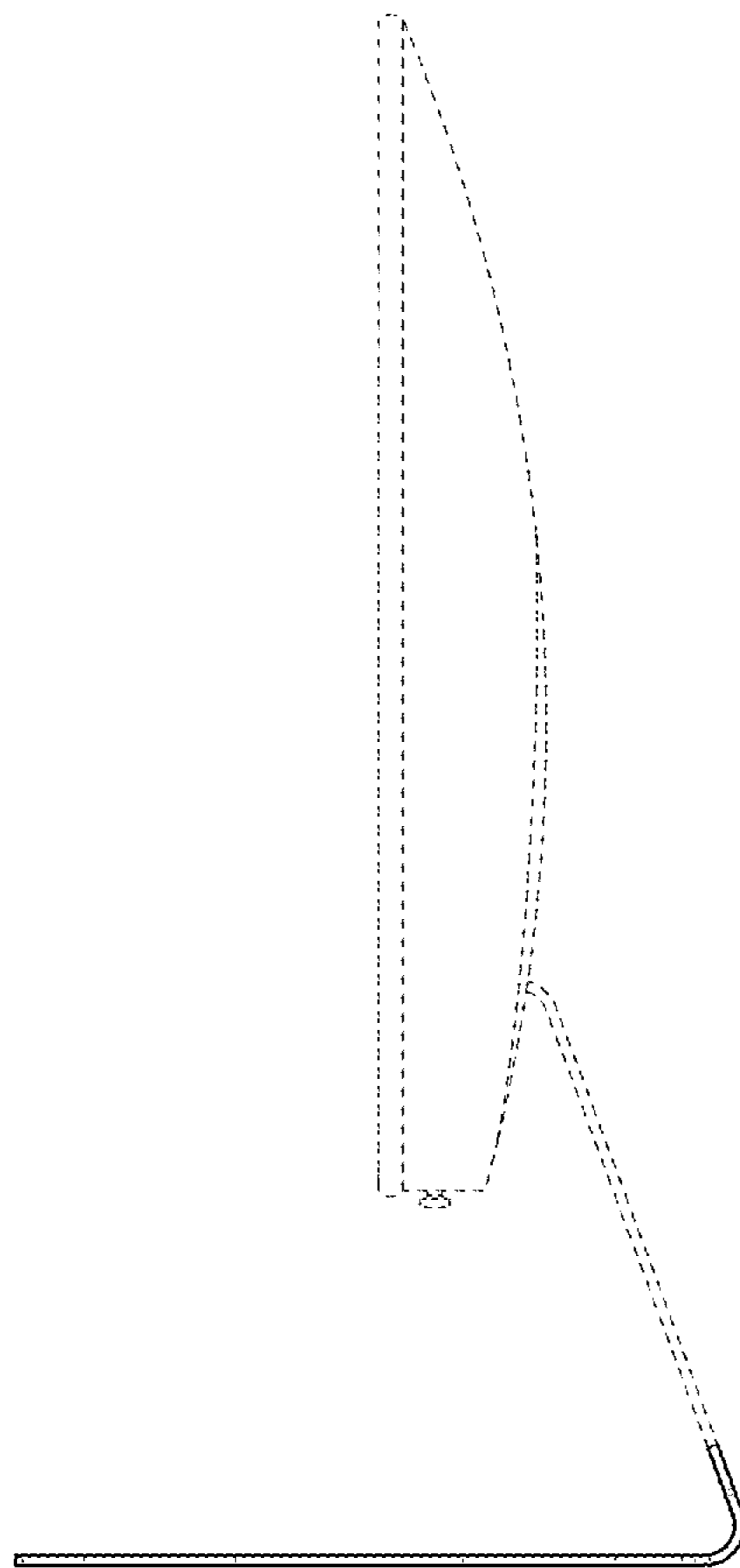


FIG. 6

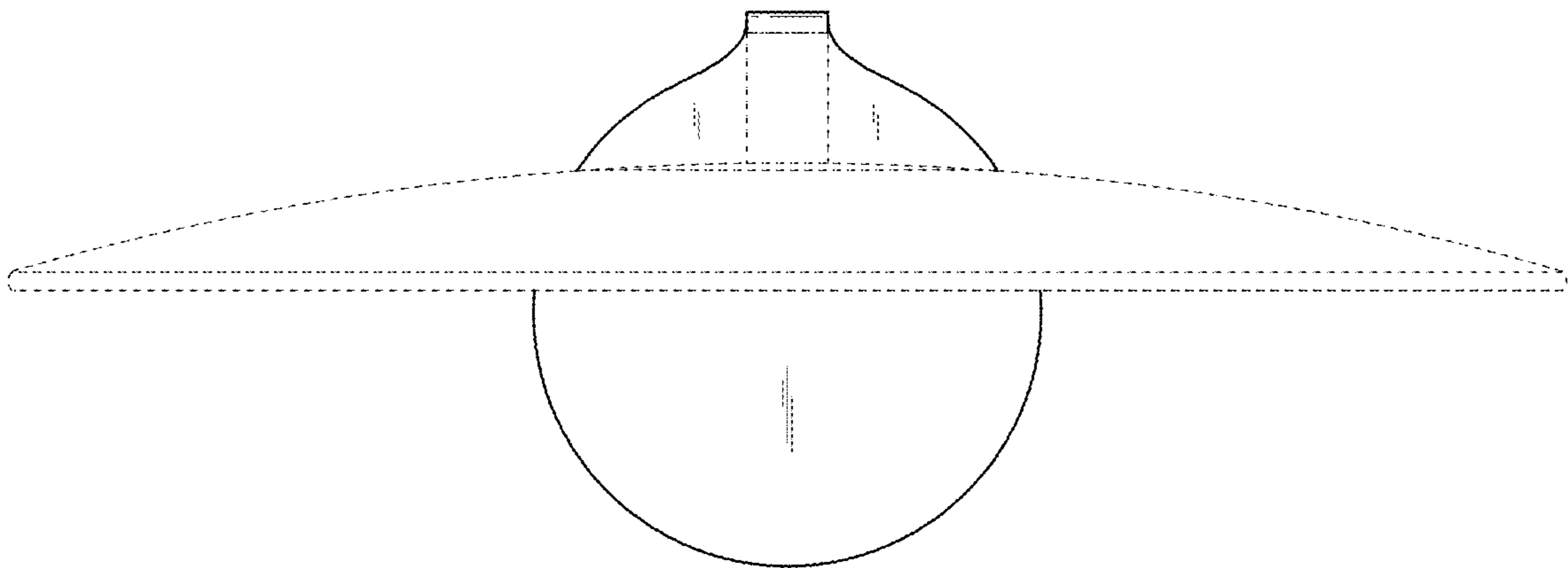


FIG. 7

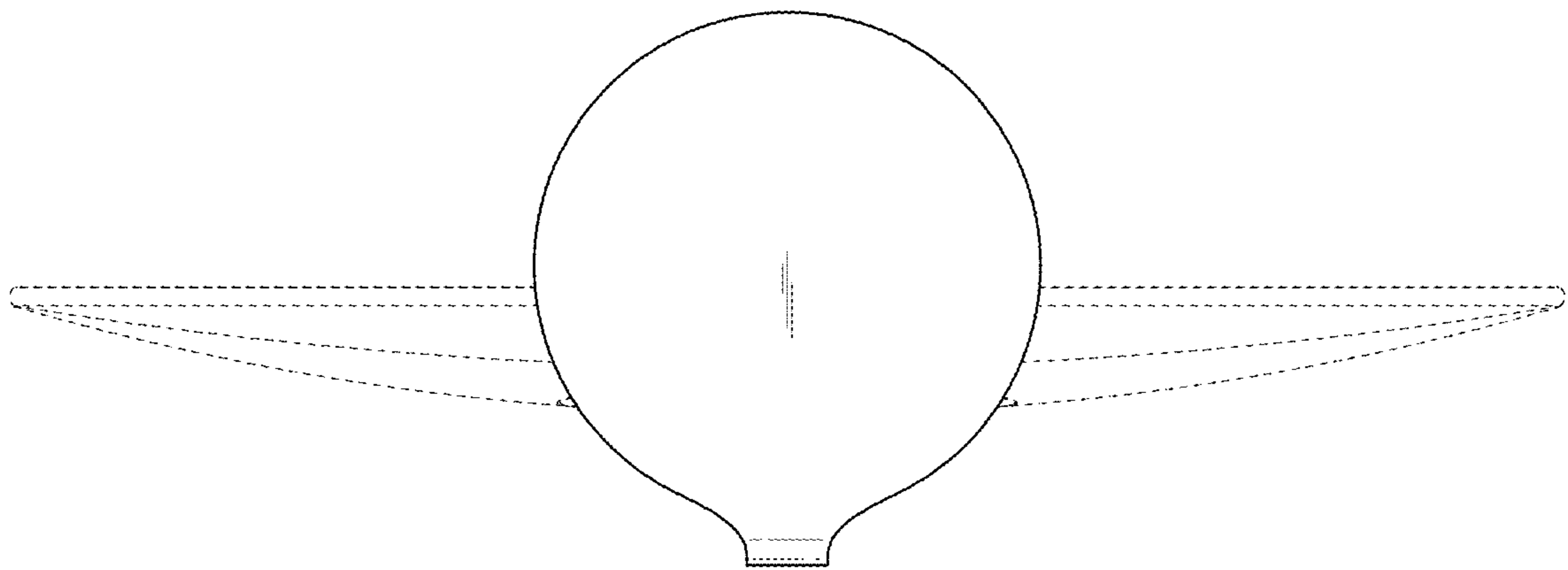


FIG. 8

