



US00D934876S

(12) **United States Design Patent**
Seo et al.

(10) **Patent No.:** **US D934,876 S**
(45) **Date of Patent:** **** Nov. 2, 2021**

(54) **MONITOR**

(71) Applicant: **Samsung Electronics Co., Ltd.**,
Suwon-si (KR)

(72) Inventors: **Young-Jin Seo**, Suwon-si (KR);
Tae-Yeon Won, Suwon-si (KR)

(73) Assignee: **SAMSUNG ELECTRONICS CO., LTD.**,
Suwon-si (KR)

(**) Term: **15 Years**

(21) Appl. No.: **29/735,807**

(22) Filed: **May 25, 2020**

(30) **Foreign Application Priority Data**

Nov. 27, 2019 (KR) 30-2019-0056923

(51) **LOC (13) Cl.** **14-02**

(52) **U.S. Cl.**
USPC **D14/451**

(58) **Field of Classification Search**
USPC D14/371-382, 125-129, 335-337,
D14/447-452, 492, 239, 457, 439-441,
(Continued)

(56) **References Cited**

U.S. PATENT DOCUMENTS

D657,790 S * 4/2012 Lee D14/374
D657,792 S * 4/2012 Lee D14/374
(Continued)

FOREIGN PATENT DOCUMENTS

CN 303719087 6/2016
CN 303792668 8/2016
(Continued)

Primary Examiner — Katie Jane Stofko

(74) *Attorney, Agent, or Firm* — McAndrews Held & Malloy, Ltd.

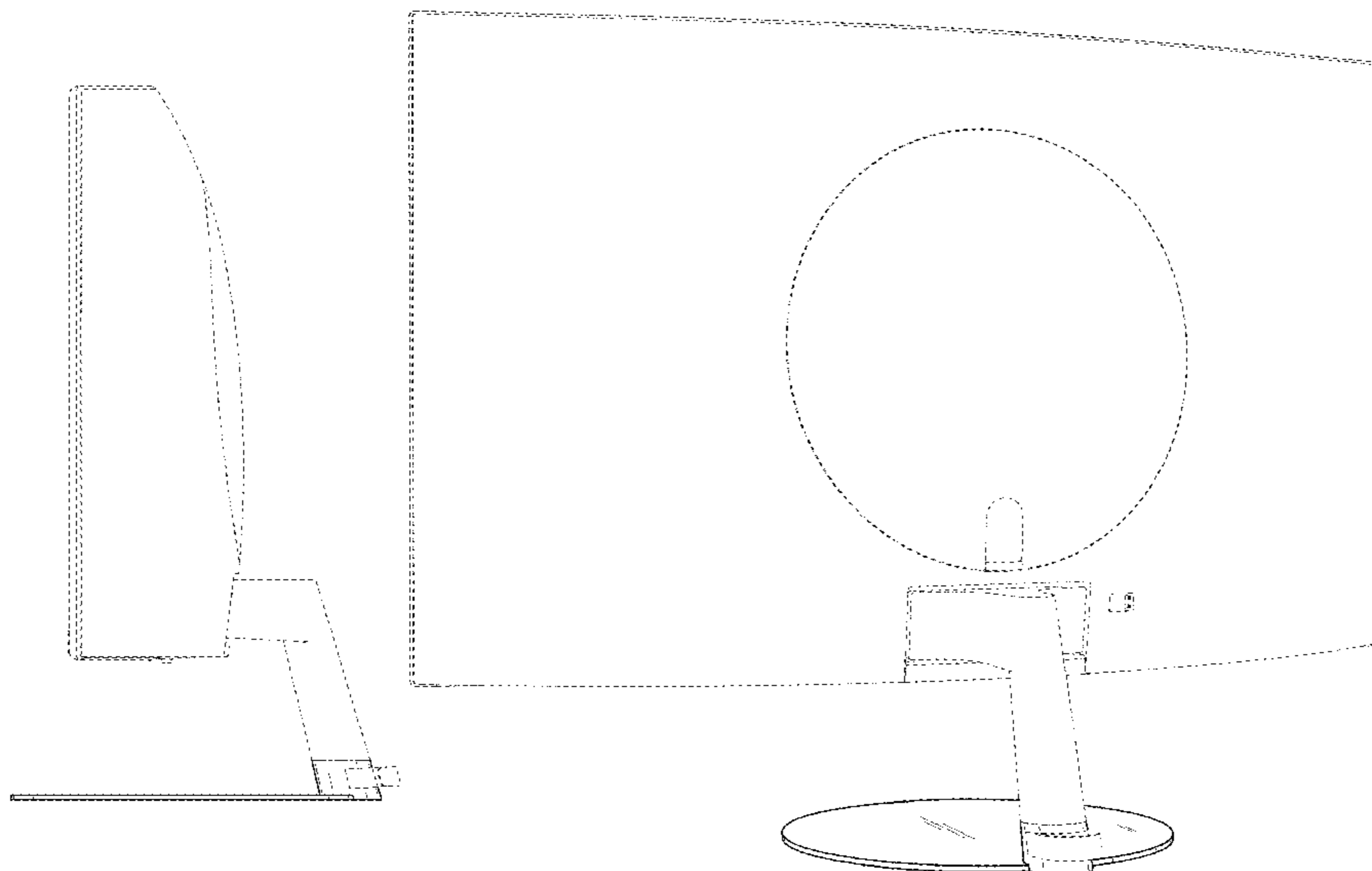
(57) **CLAIM**

The ornamental design for a monitor, as shown and described.

DESCRIPTION

FIG. 1 is a front perspective view of a monitor showing our new design according to a first embodiment;
FIG. 2 is a front elevation view thereof;
FIG. 3 is a rear elevation view thereof;
FIG. 4 is a left side elevation view thereof;
FIG. 5 is a right side elevation view thereof;
FIG. 6 is a top plan view thereof;
FIG. 7 is a bottom plan view thereof;
FIG. 8 is a rear perspective view thereof;
FIG. 9 is a front perspective view of a monitor showing our new design according to a second embodiment;
FIG. 10 is a front view thereof;
FIG. 11 is a rear view thereof;
FIG. 12 is a left-side view thereof;
FIG. 13 is a right-side view thereof;
FIG. 14 is a top plan view thereof;
FIG. 15 is a bottom plan view thereof;
FIG. 16 is a rear perspective view thereof;
FIG. 17 is a front perspective view of a monitor showing our new design according to a third embodiment;
FIG. 18 is a front view thereof;
FIG. 19 is a rear view thereof;
FIG. 20 is a left-side view thereof;
FIG. 21 is a right-side view thereof;
FIG. 22 is a top plan view thereof;
FIG. 23 is a bottom plan view thereof; and,
FIG. 24 is a rear perspective view thereof.
The evenly dashed broken lines in the drawings illustrate portions of the monitor that form no part of the claimed design.
The dot-dash broken lines in the drawings define the boundary of the claimed design and form no part thereof.

1 Claim, 24 Drawing Sheets



(58) Field of Classification Search

USPC D14/432, 251-253; D8/349, 354, 363,
 D8/373, 376, 380; 348/180, 184, 325,
 348/739, 825; D12/407, 415; D3/218;
 341/12
 CPC G06F 3/0412; G06F 3/016; G06F 3/0488;
 G06F 3/011; G06F 3/038; G06F 3/03543;
 G06F 3/0338; G06F 3/0202; G06F
 3/0219; G06F 3/0213; G06F 1/1616;
 G06F 3/023; G06F 3/04883; G02F
 1/13338; G02F 1/1313; G02F 1/1333;
 G02F 1/135; G02F 1/132; G02F
 1/133308; G02F 1/134309; G02F
 1/13718; G09G 3/3648; G06K 15/1252;
 B41J 2/465; G03F 7/70291; G02B
 27/0172; G02B 5/30; G02B 2027/0118;
 G02B 27/0101; F16M 13/02; F16M
 13/00; F16M 11/10; F16M 11/04; F16M
 2200/08; F16M 11/2021; A47B 21/0314;
 A47B 88/044; A47B 2021/0335; H02G
 3/126; F16B 47/00; F16B 47/006; A47G
 1/17; A47K 2201/00

See application file for complete search history.

(56)

References Cited

U.S. PATENT DOCUMENTS

D667,826	S *	9/2012	Lee	D14/374
D681,647	S *	5/2013	Choi	D14/451
D697,880	S *	1/2014	Lee	D14/126
D723,526	S *	3/2015	Yoo	D14/239
D733,157	S *	6/2015	Kim	D14/447
D797,737	S *	9/2017	Won	D14/374
D801,979	S *	11/2017	Seo	D14/451
D805,522	S *	12/2017	Won	D14/451
D817,958	S *	5/2018	Won	D14/374
D822,032	S *	7/2018	Kwon	D14/451
2011/0096486	A1 *	4/2011	Oh	F16M 11/10 361/679.21

FOREIGN PATENT DOCUMENTS

CN	304437891	1/2018
CN	304731807	7/2018
WO	DM/099715	8/2018

* cited by examiner

FIG. 1

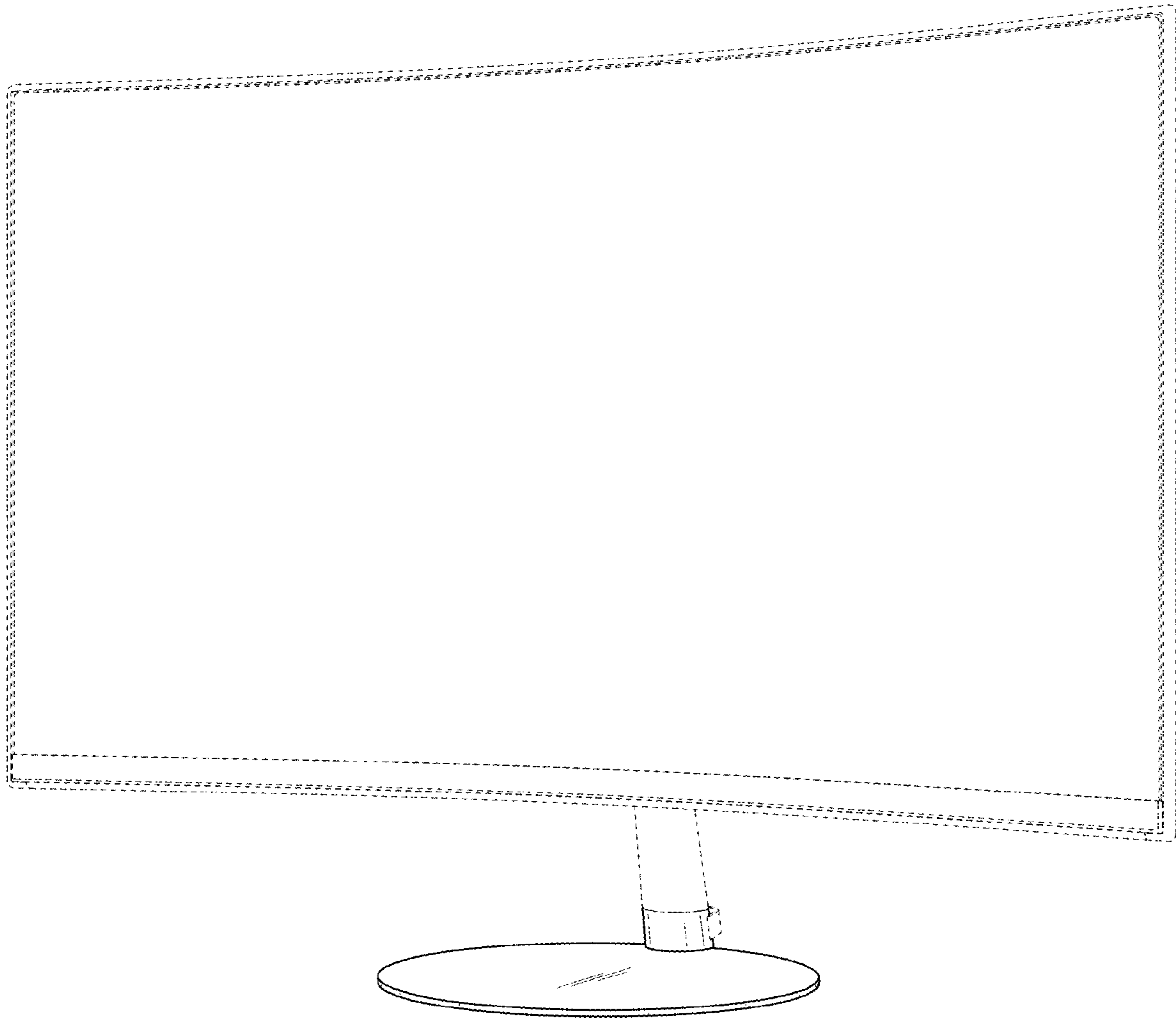


FIG. 2

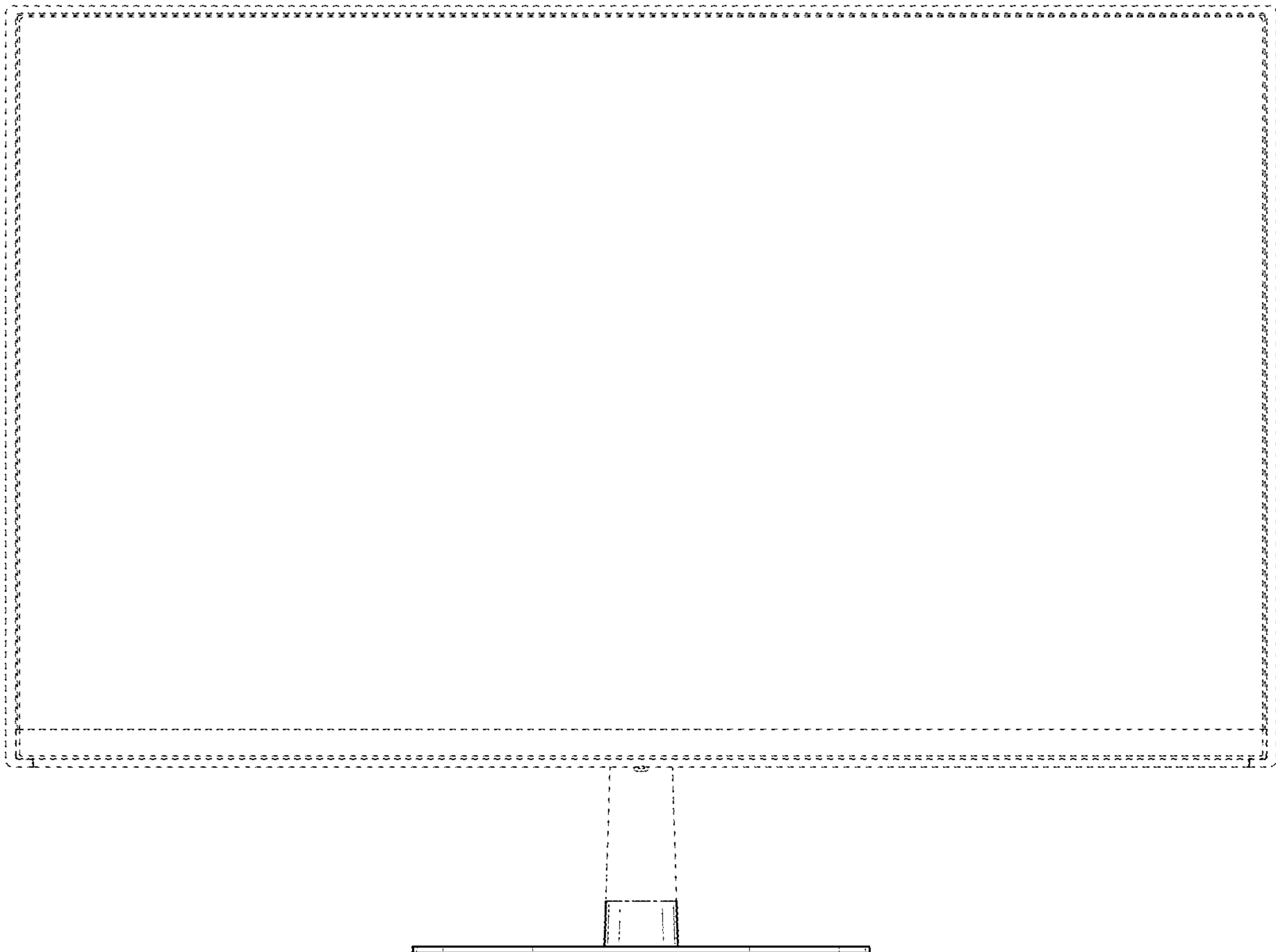


FIG. 3

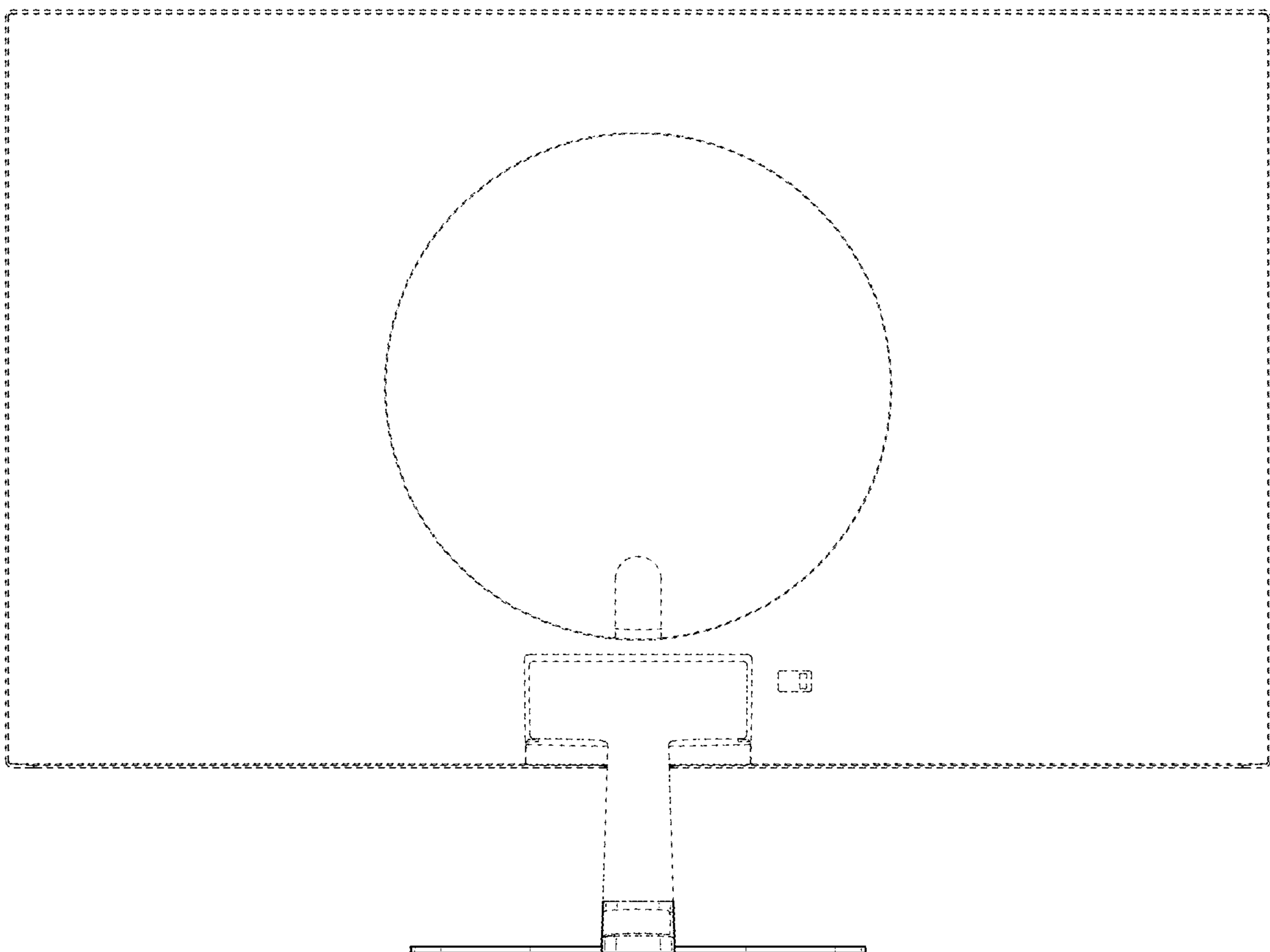


FIG. 4

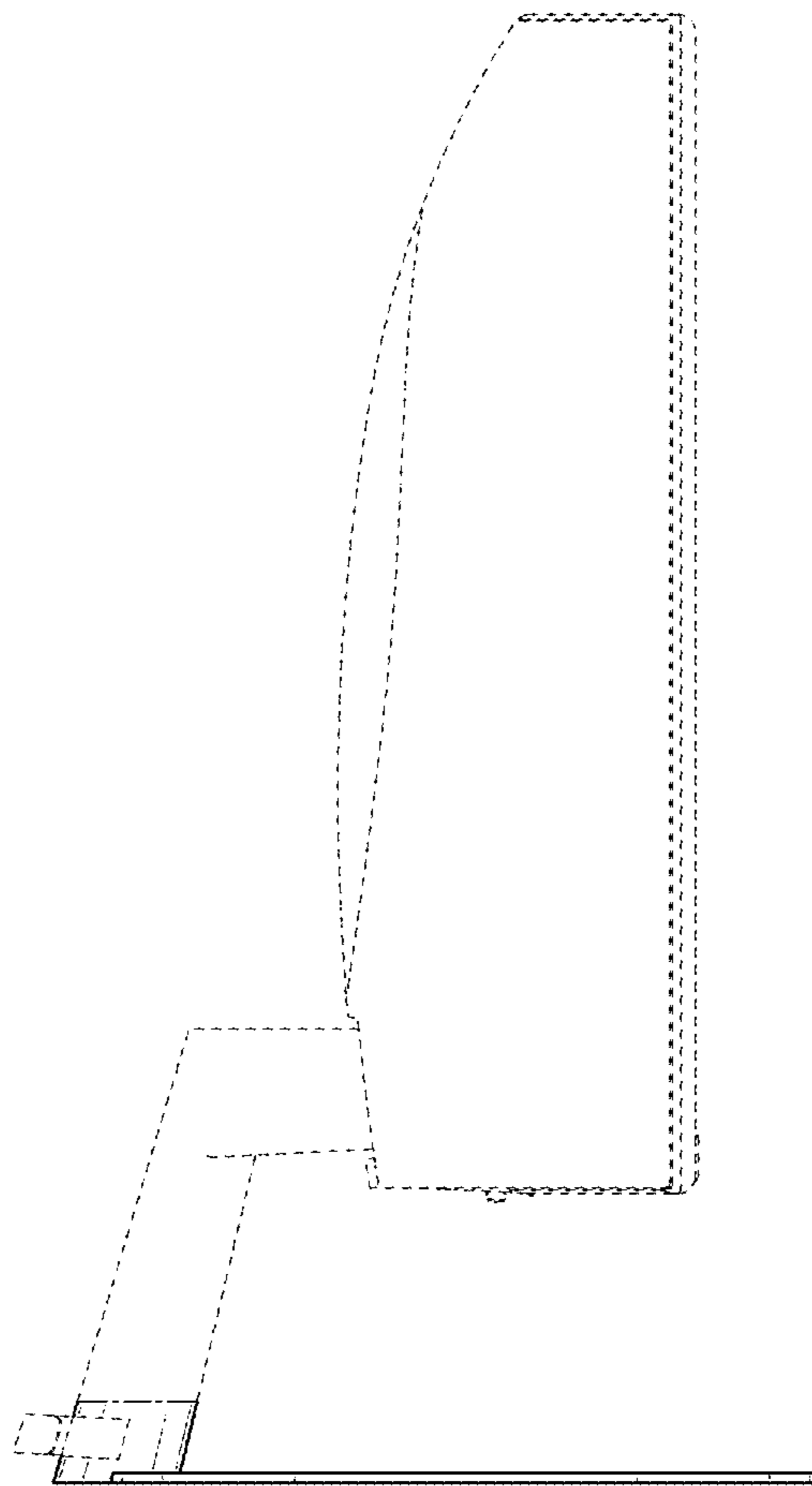


FIG. 5

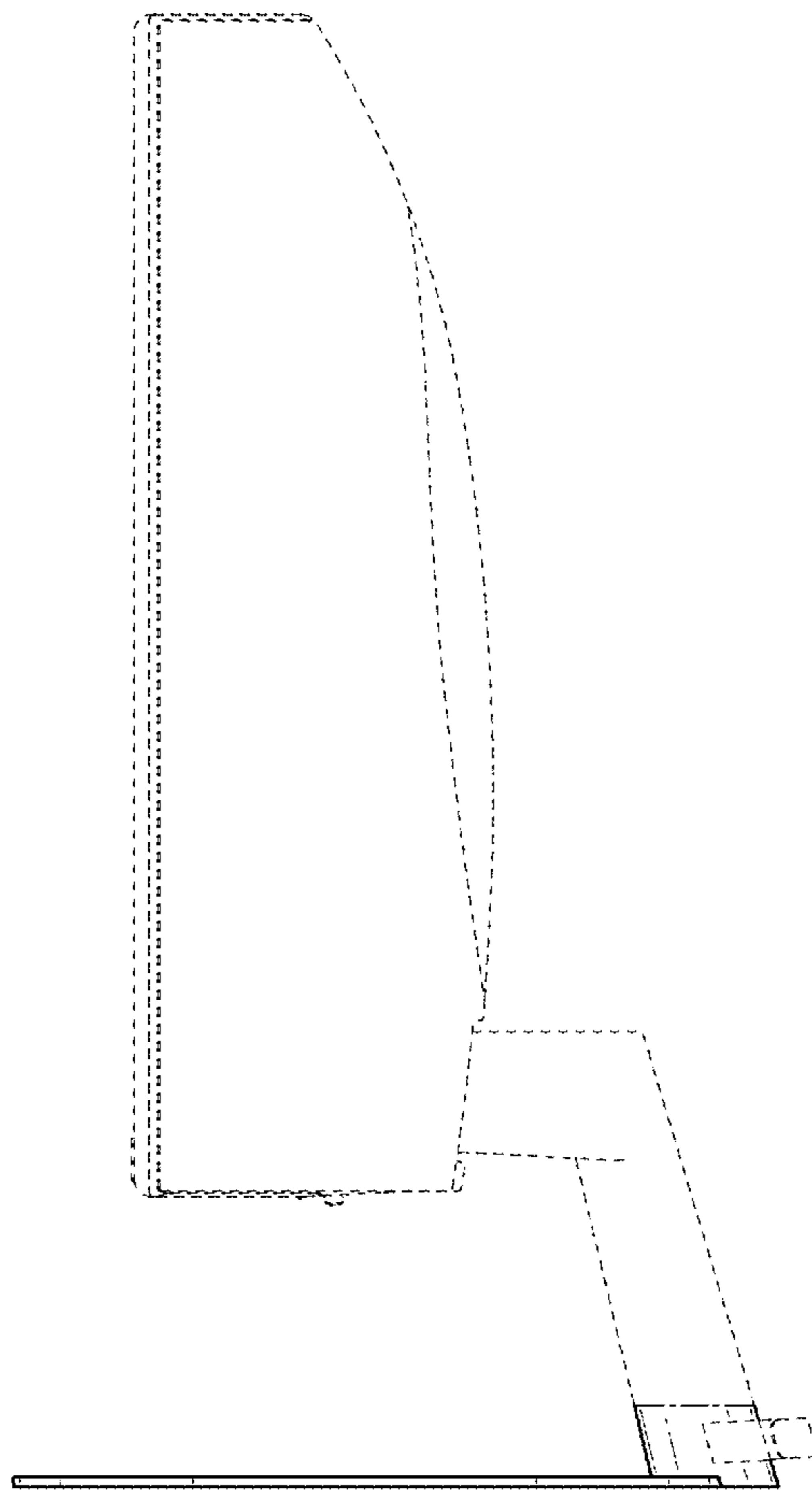


FIG. 6

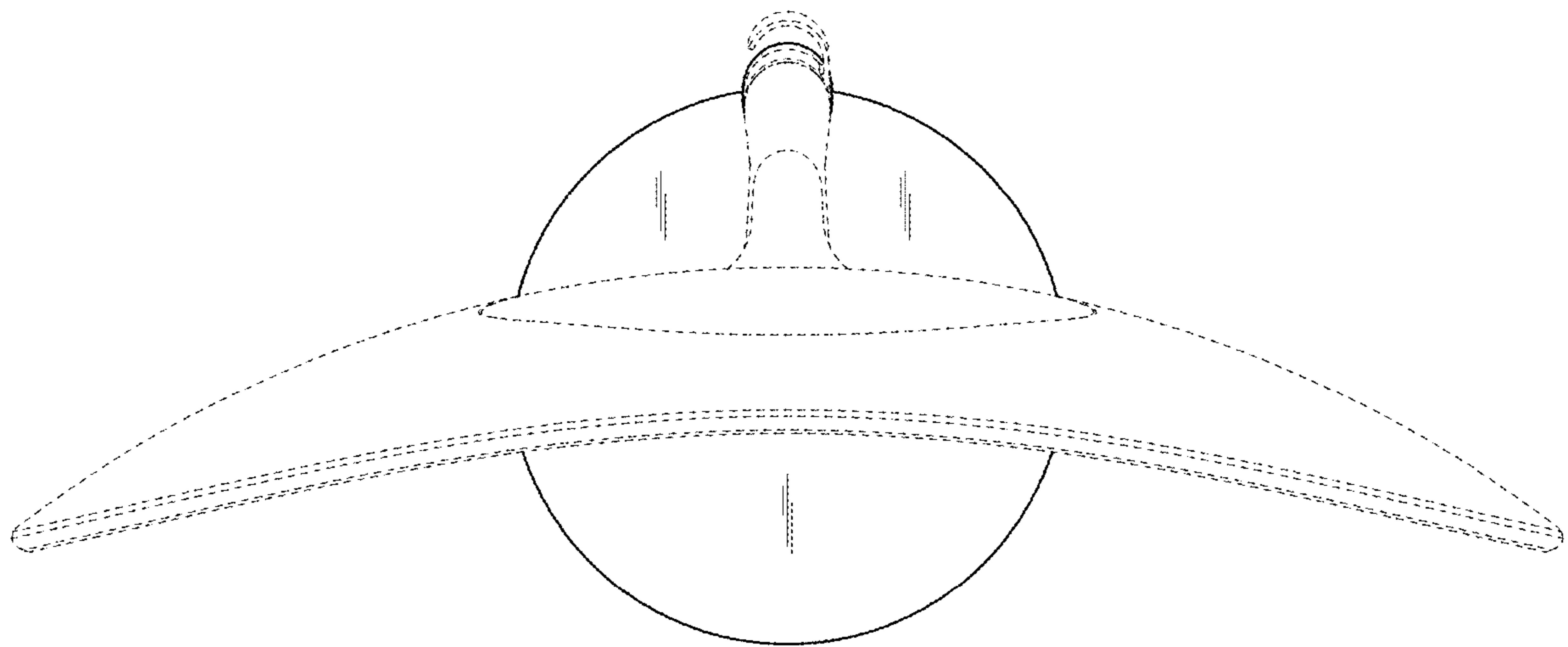


FIG. 7

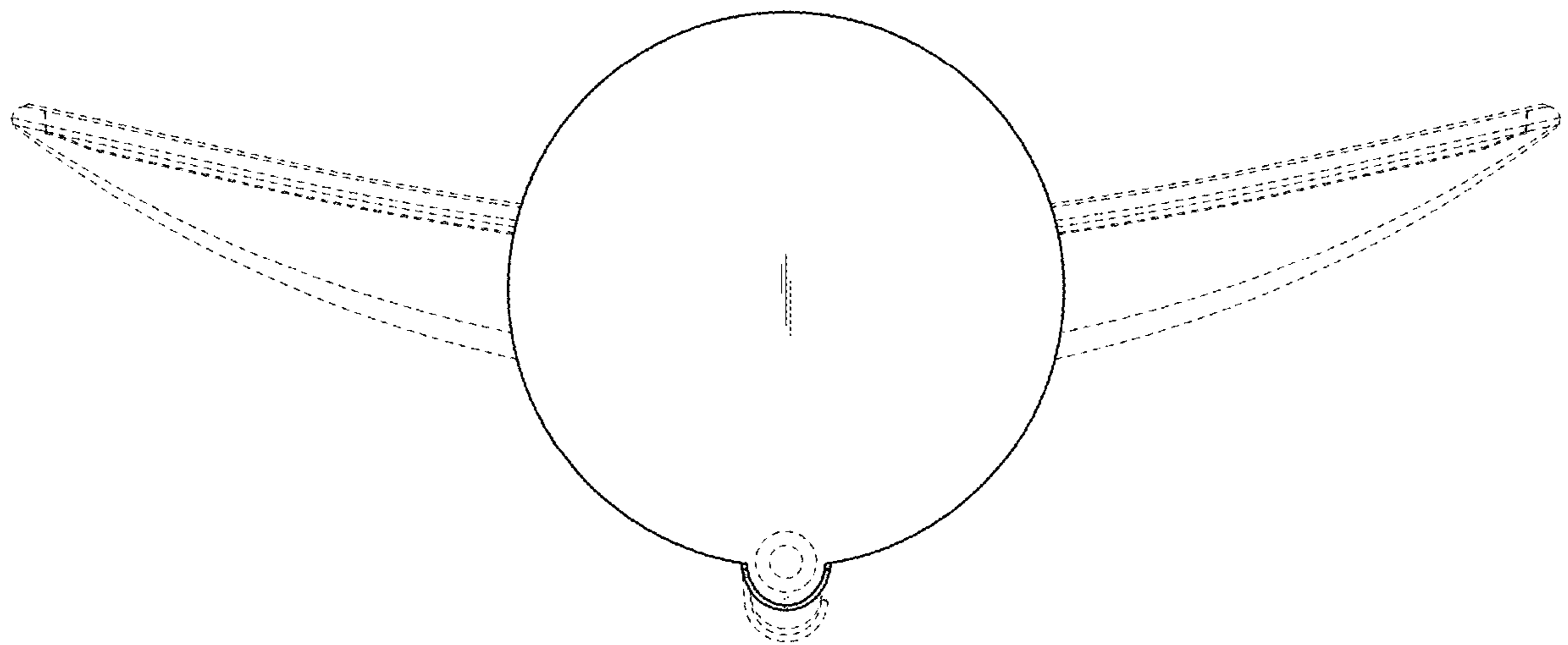


FIG. 8

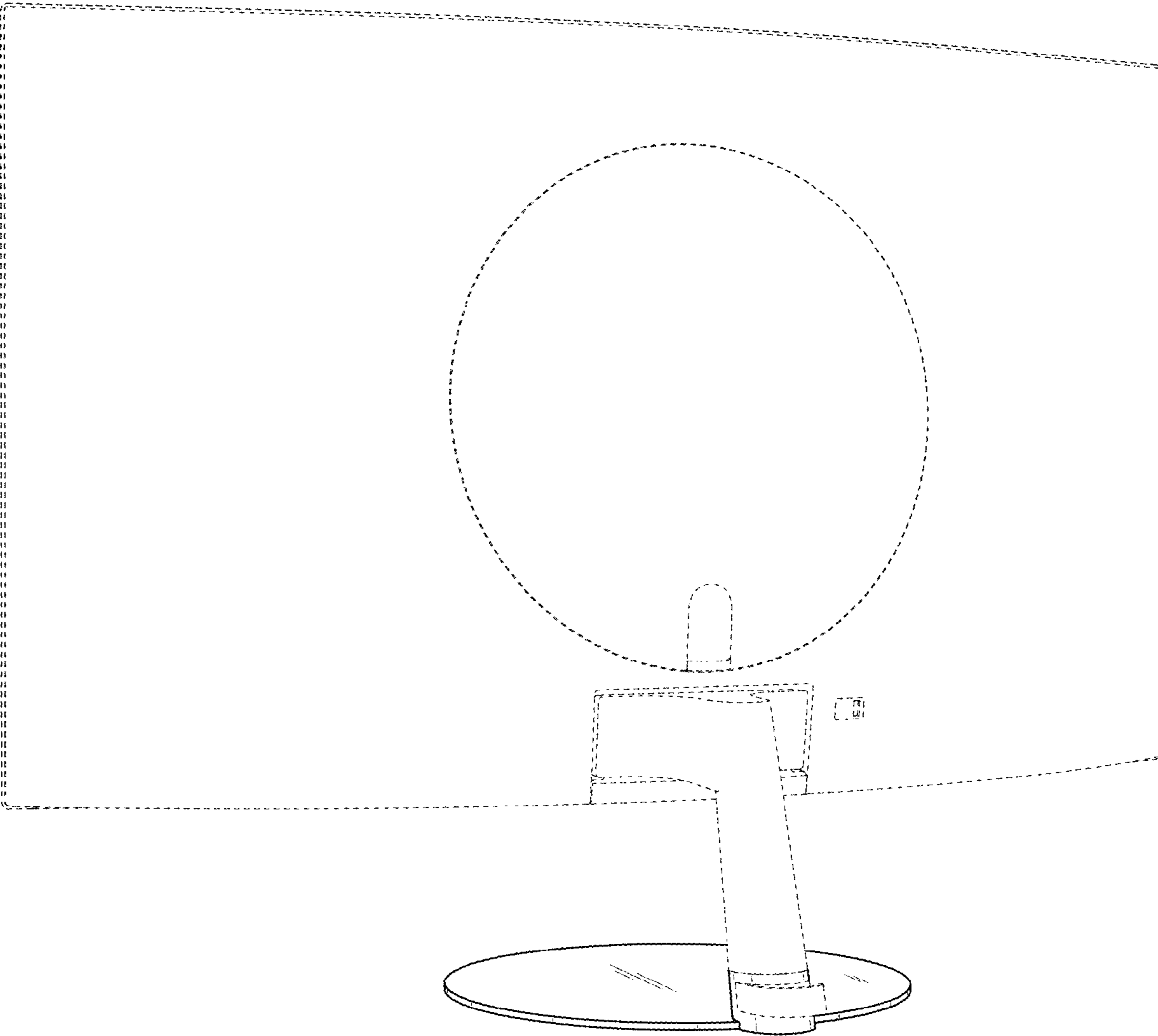


FIG. 9

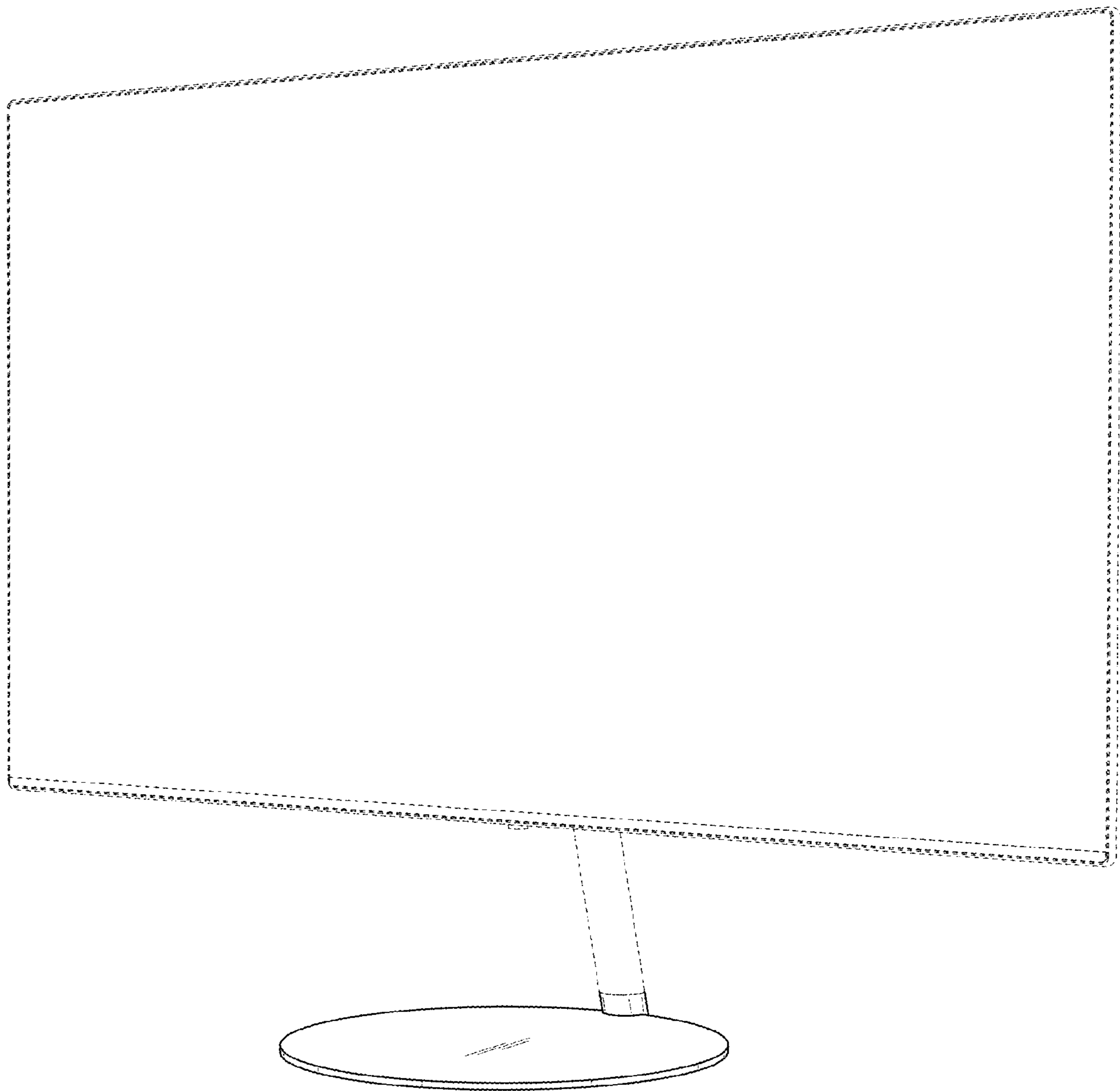


FIG. 10

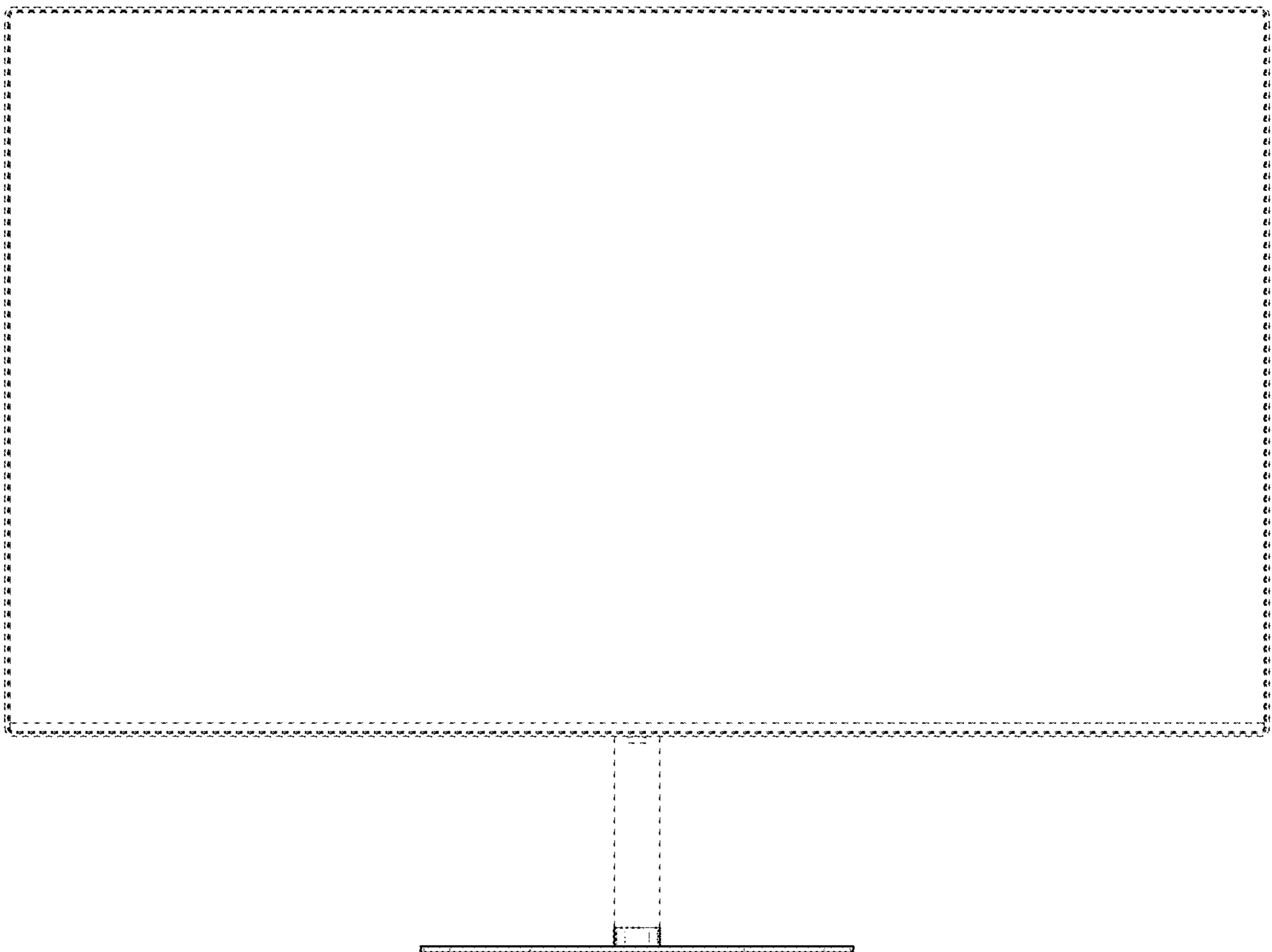


FIG. 11

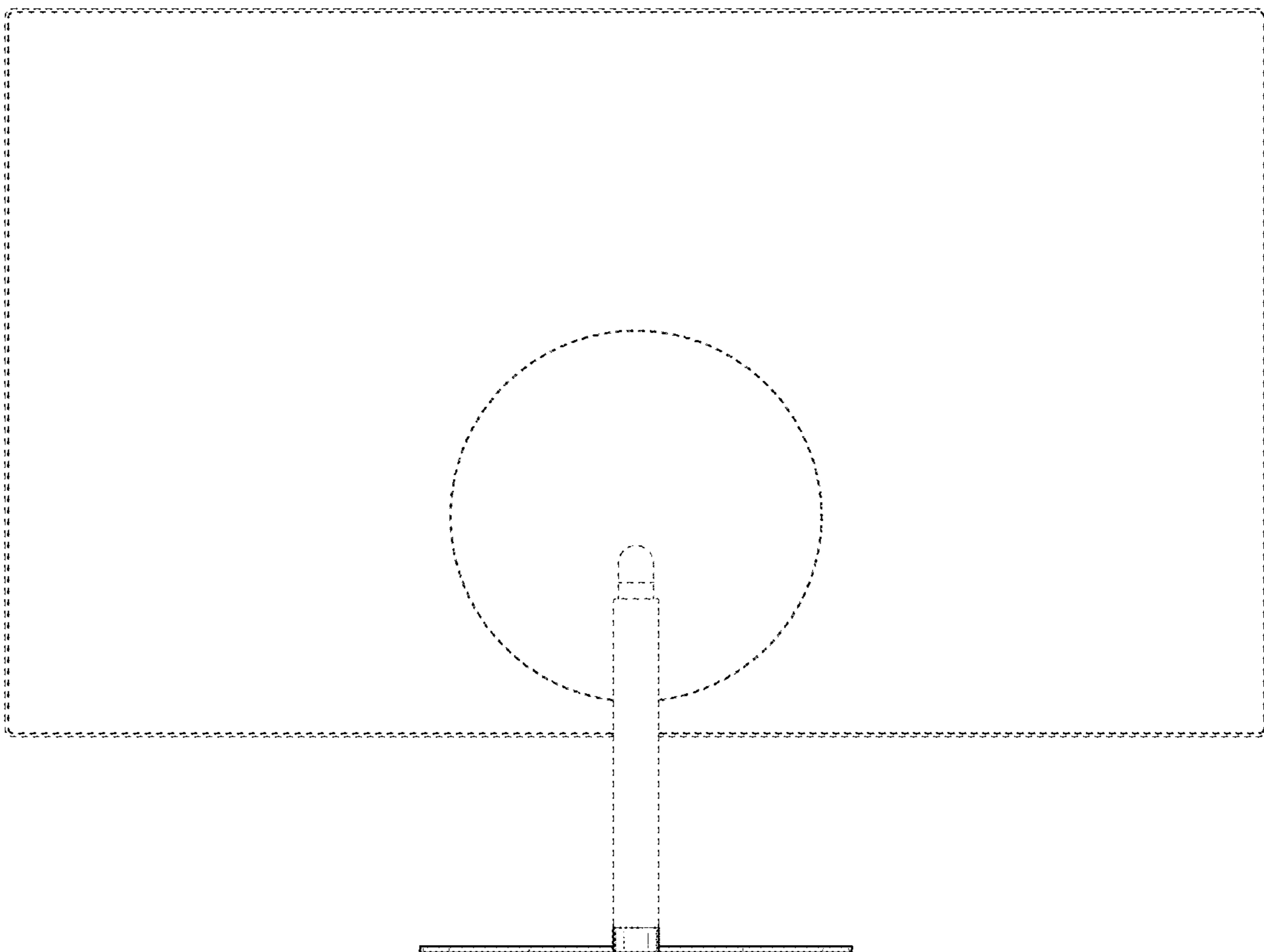


FIG. 12

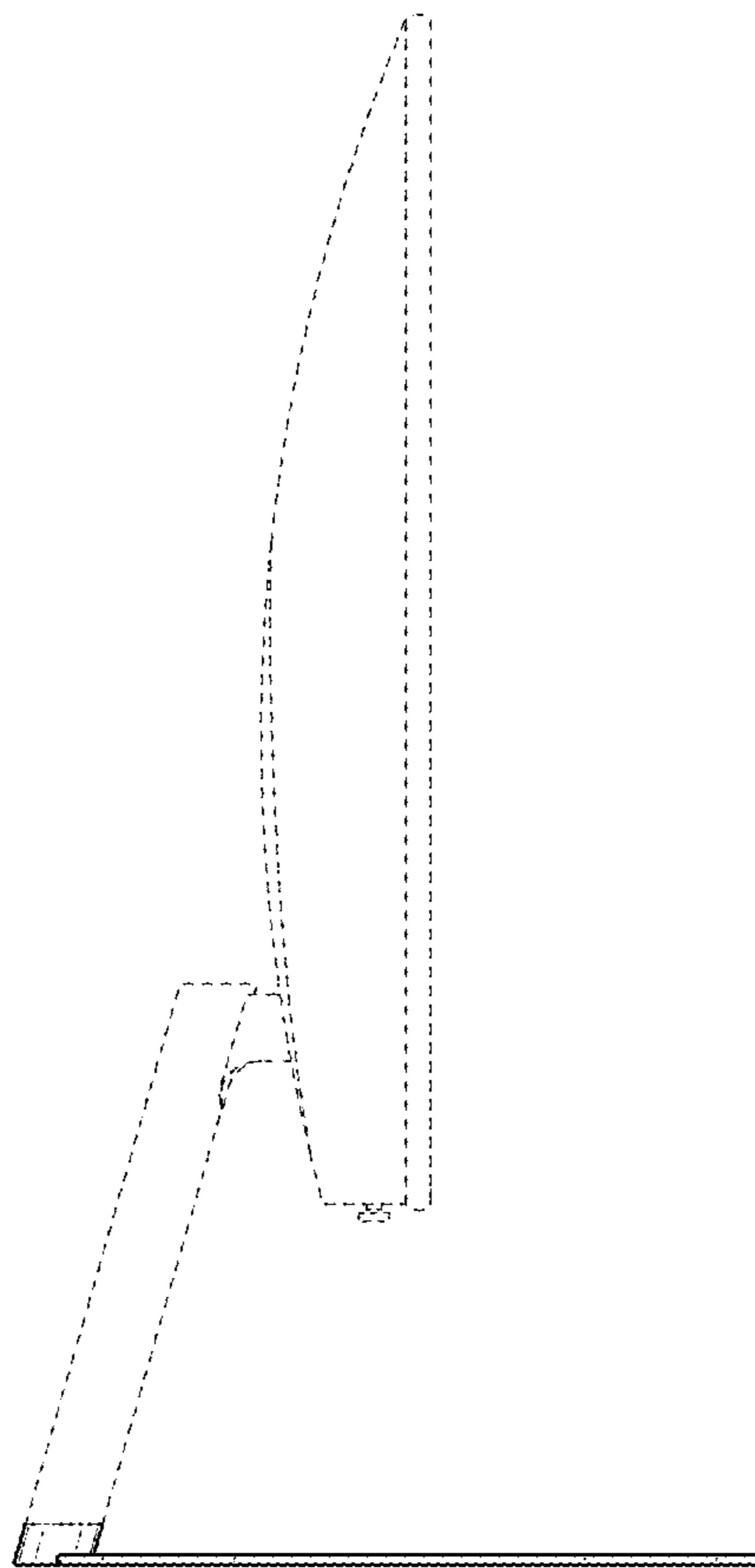


FIG. 13

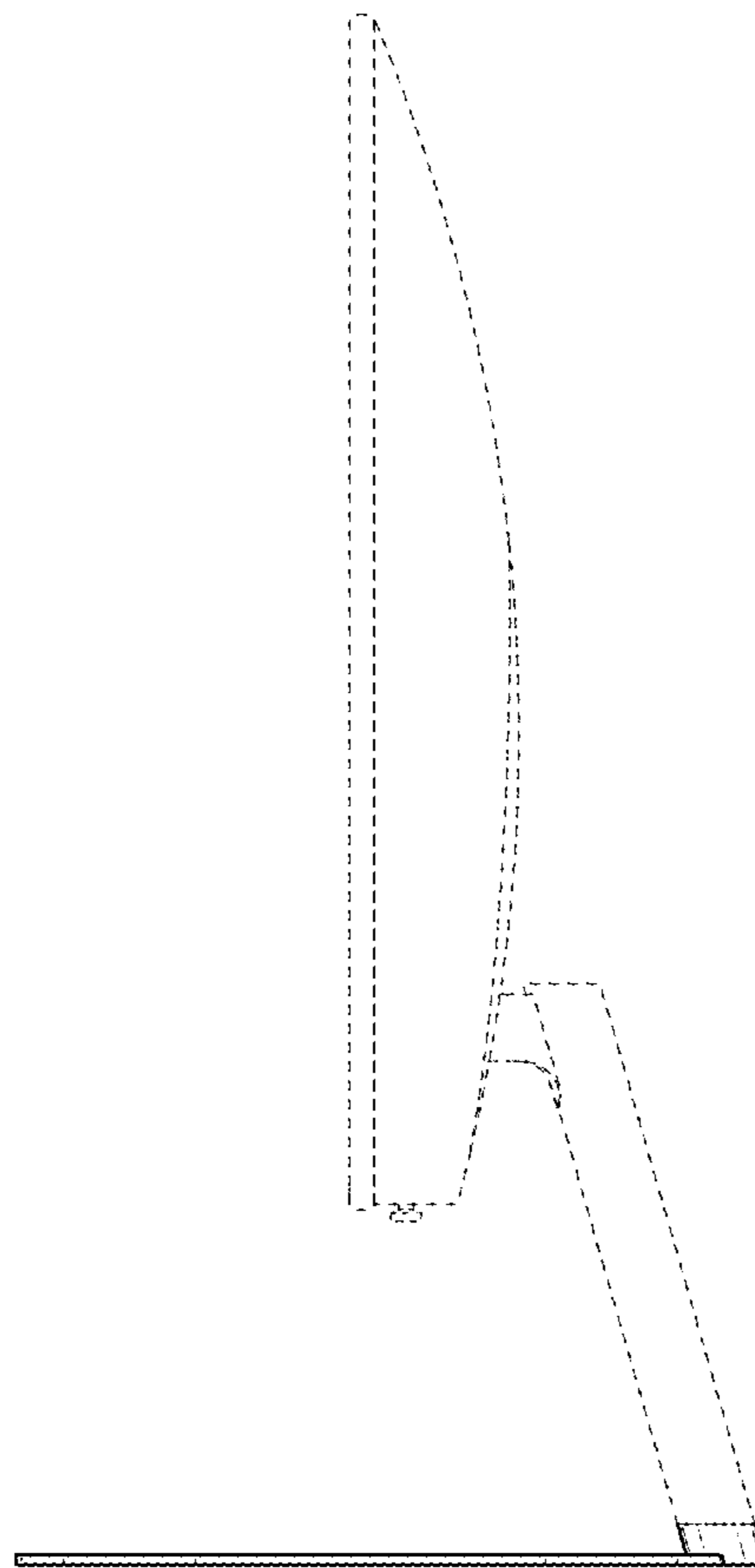


FIG. 14

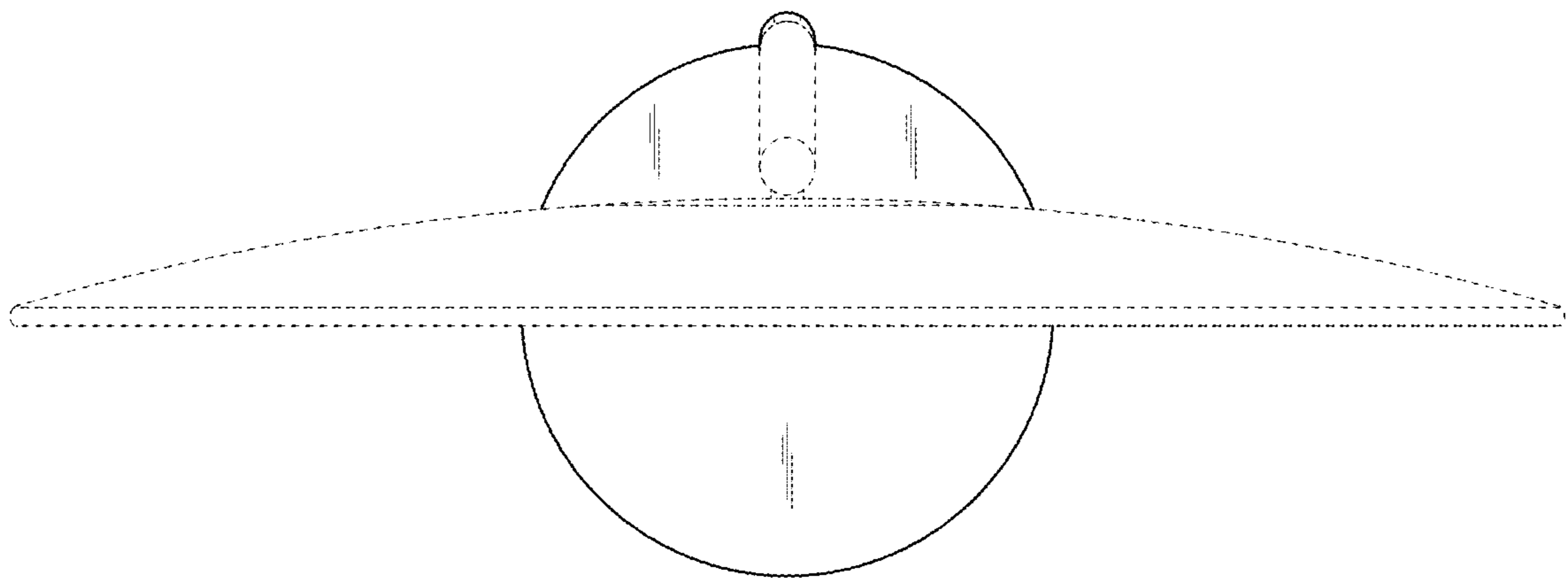


FIG. 15

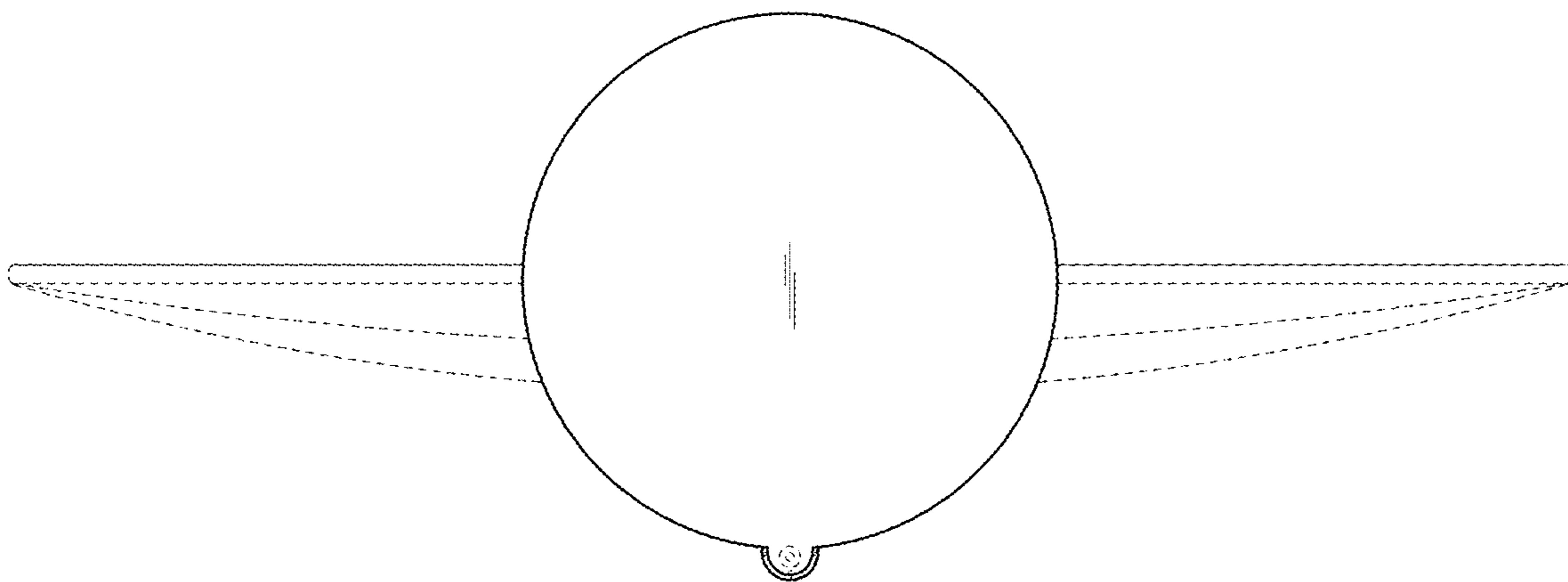


FIG. 16

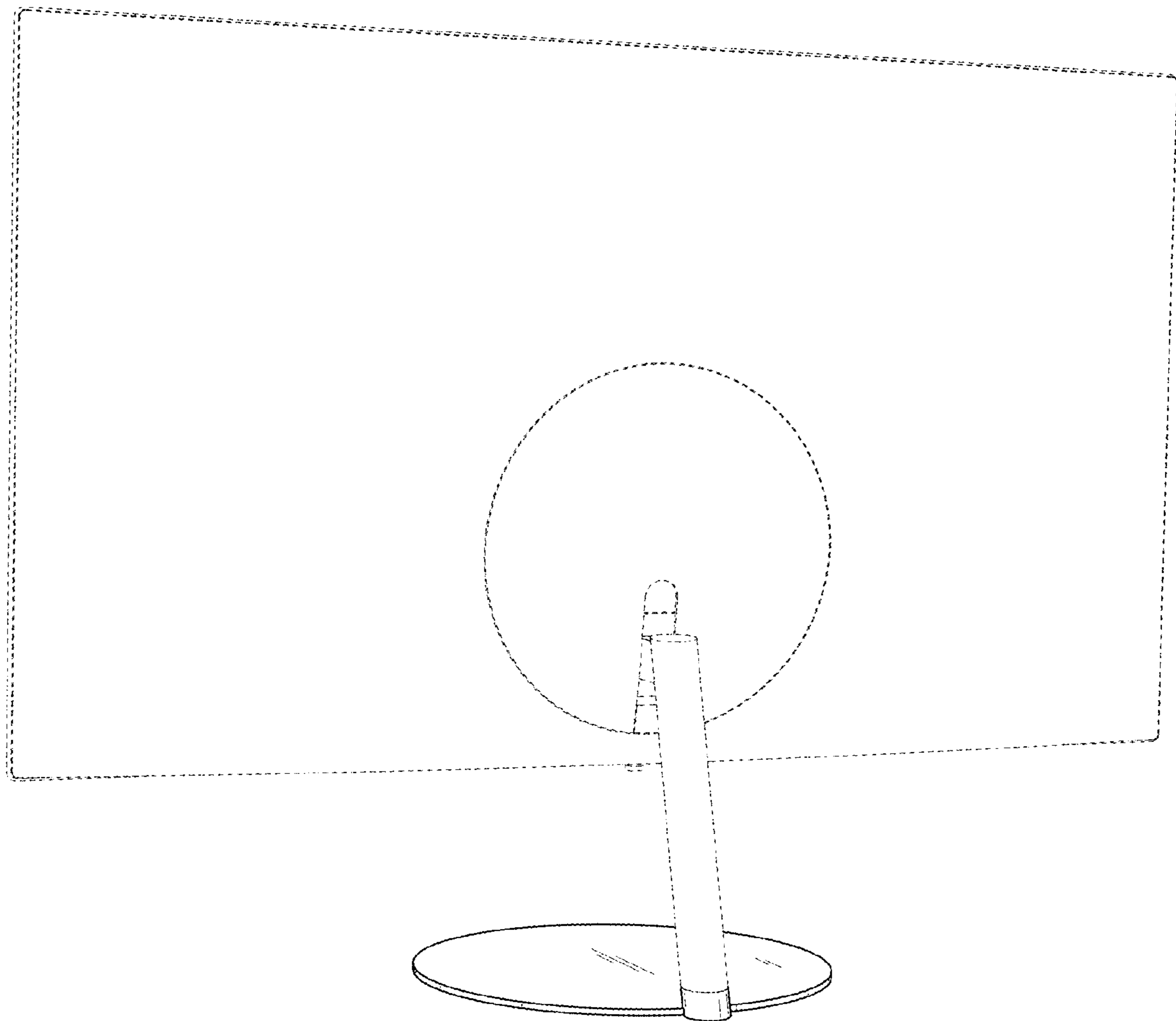


FIG. 17

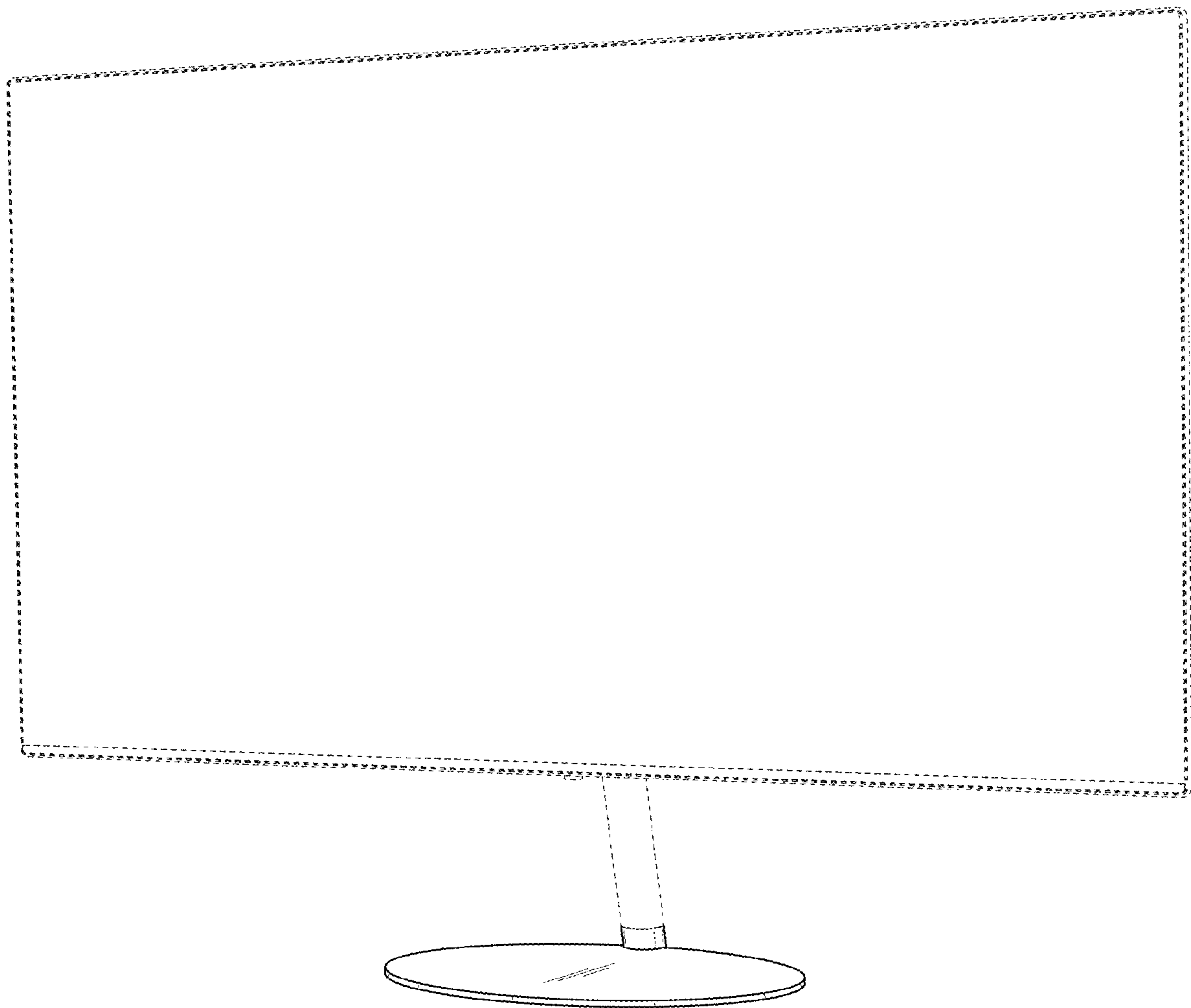


FIG. 18

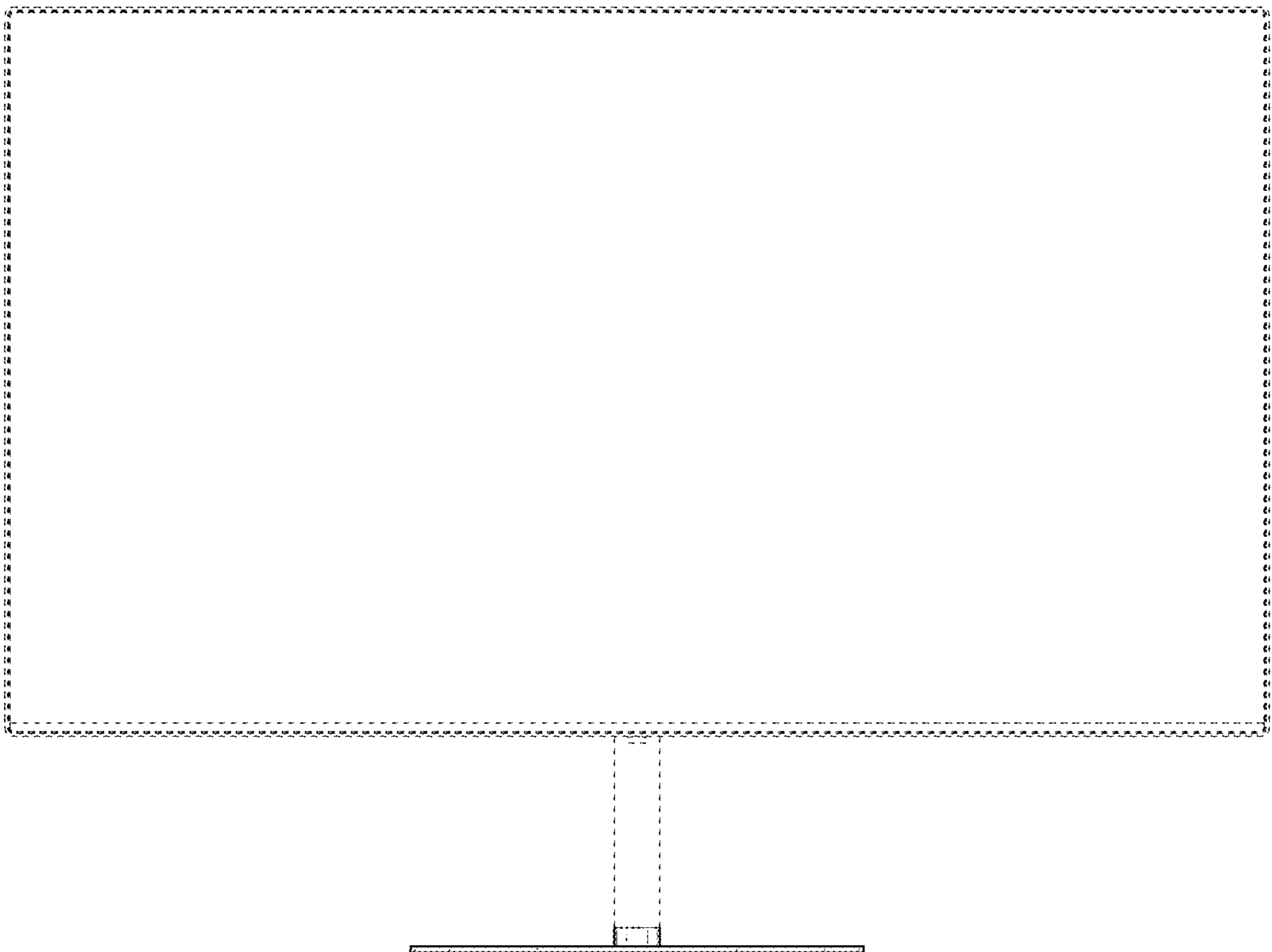


FIG. 19

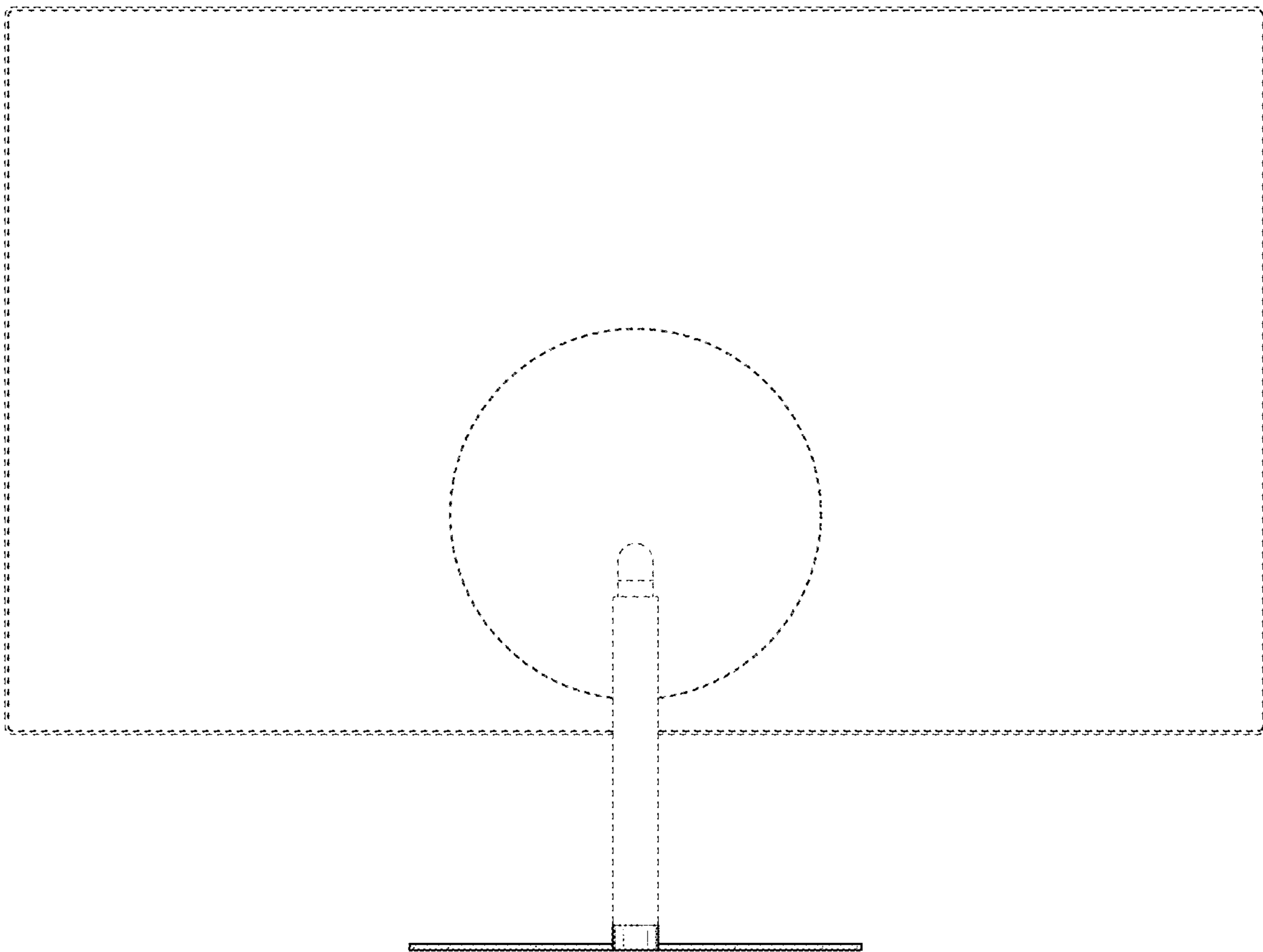


FIG. 20

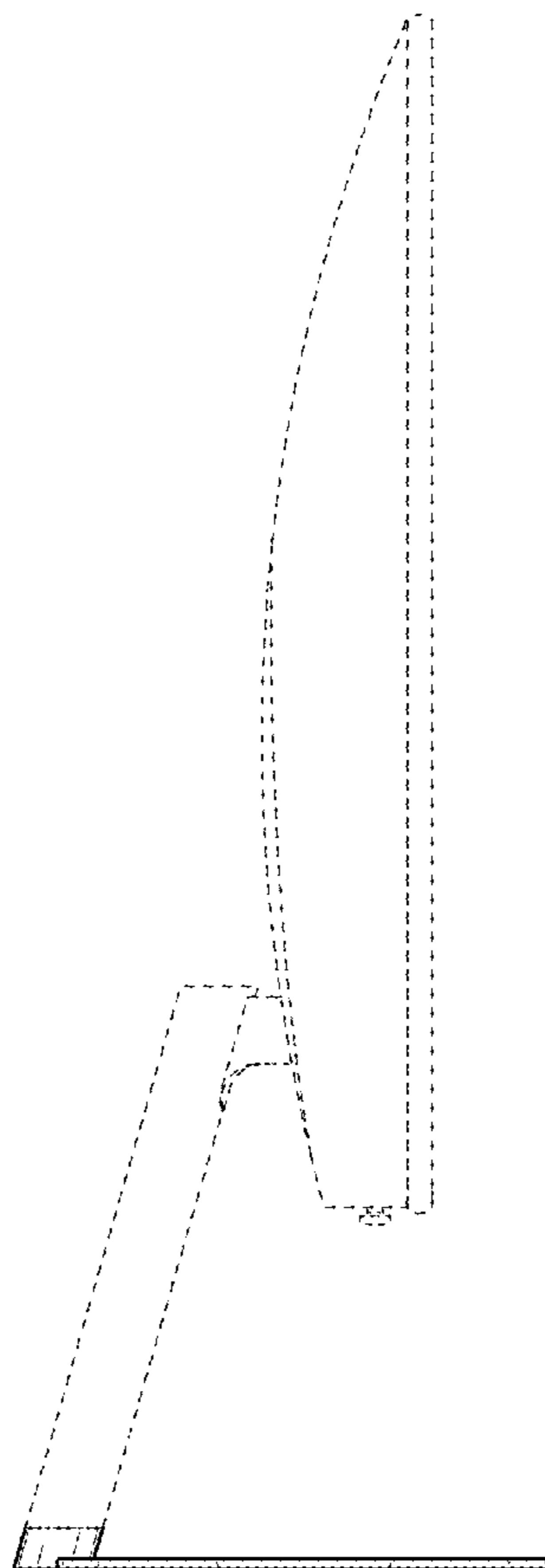


FIG. 21

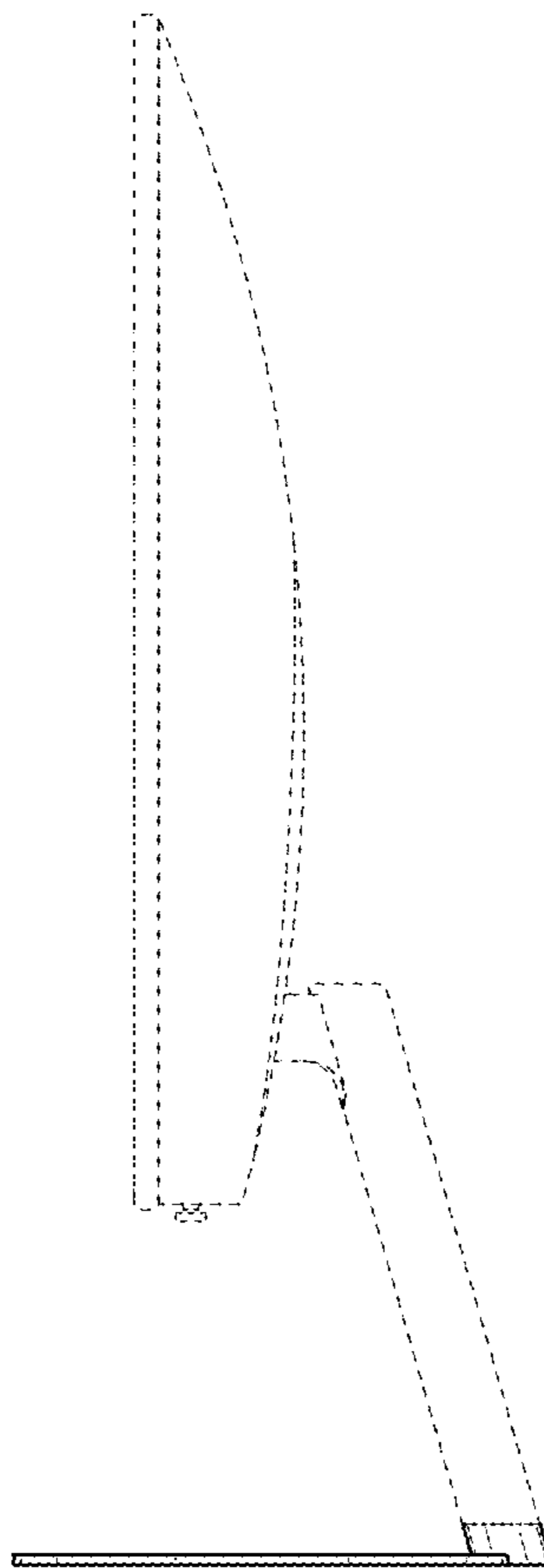


FIG. 22

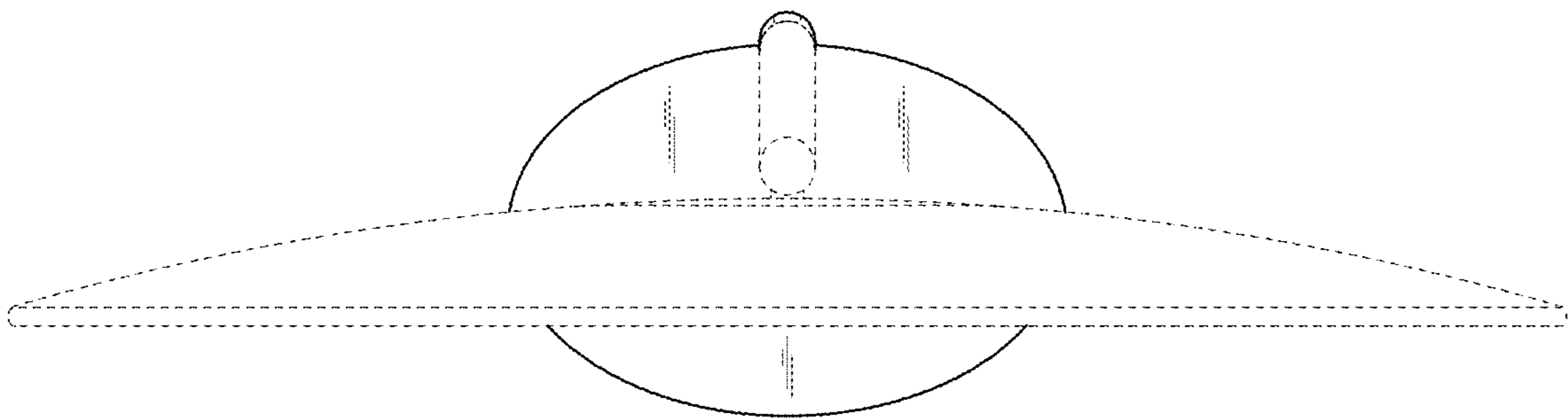


FIG. 23

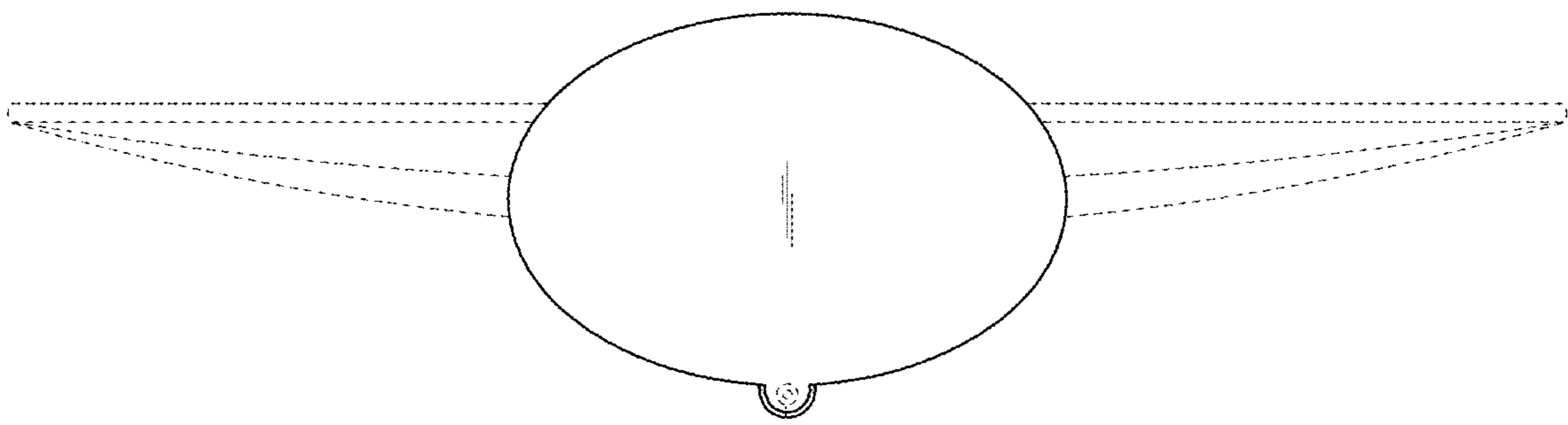


FIG. 24

