



US00D934869S

(12) **United States Design Patent**
Wright et al.

(10) **Patent No.:** **US D934,869 S**

(45) **Date of Patent:** **** Nov. 2, 2021**

(54) **SLEEVE FOR ELECTRONIC DEVICE**
(71) Applicant: **Catalyst Lifestyle Limited**, North Point (HK)
(72) Inventors: **Joshua Wright**, Hong Kong (CN); **June Lai**, Hong Kong (CN)
(73) Assignee: **CATALYST LIFESTYLE LIMITED**, Hong Kong (CN)

(**) Term: **15 Years**

(21) Appl. No.: **29/724,348**

(22) Filed: **Feb. 14, 2020**

(30) **Foreign Application Priority Data**

Oct. 31, 2019 (CN) 201930596466.6

(51) **LOC (13) Cl.** **14-02**

(52) **U.S. Cl.**
USPC **D14/440; D3/218**

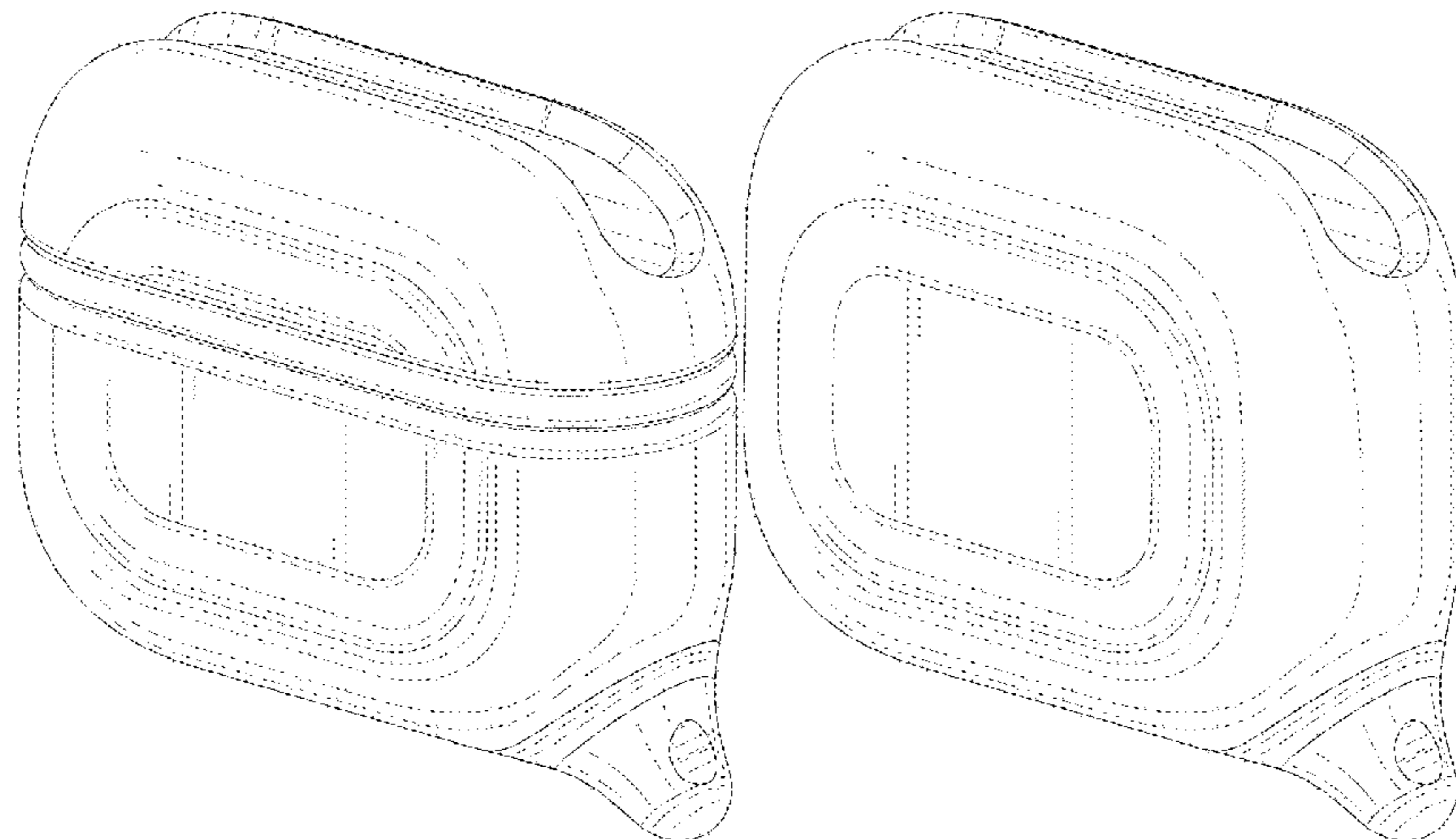
(58) **Field of Classification Search**
USPC D14/440, 447, 250; 206/45.23, 320, 206/45.2; 361/679.55; 294/25; 224/218; D3/294, 218; D9/420
CPC ... G06F 1/1628; G06F 1/1626; A47B 23/044; A45C 11/00; H04B 1/3888
See application file for complete search history.

(56) **References Cited**

U.S. PATENT DOCUMENTS

D323,929 S 2/1992 Hodson
D348,268 S 6/1994 Chambers
D357,919 S 5/1995 Tsui
D362,542 S 9/1995 Richards et al.
D375,197 S 11/1996 Laherty
D377,788 S 2/1997 Carlson
D393,148 S 4/1998 Petruzzi
5,740,624 A 4/1998 Baseley
D399,604 S 10/1998 Wolff
D405,256 S 2/1999 Chacon et al.
D420,006 S 2/2000 Tonino
D423,509 S 4/2000 Park

6,068,119 A 5/2000 Derr et al.
D427,583 S 7/2000 Kazama
6,305,538 B1 10/2001 Jackson
D450,313 S 11/2001 Koinuma
D467,799 S 12/2002 Persson
D468,296 S 1/2003 Graceffa
D475,696 S 6/2003 Hussaini et al.
D478,721 S 8/2003 Anderton
6,659,274 B2 12/2003 Enners
D496,031 S 9/2004 Ma et al.
6,817,470 B1 11/2004 Goldberg
D503,851 S 4/2005 Landow
D531,618 S 11/2006 Kennemer et al.
D558,973 S 1/2008 Hussaini et al.
7,347,325 B2 3/2008 O'Neill et al.
D569,608 S 5/2008 Rowe
D570,597 S 6/2008 Klein
D572,206 S 7/2008 Ikeda et al.
D592,400 S 5/2009 Nelson
D594,659 S 6/2009 Lown et al.
D595,952 S 7/2009 Nussberger
D596,393 S 7/2009 Leung et al.
D599,546 S 9/2009 Lown et al.
D600,913 S 9/2009 Kalbach
7,584,841 B2 9/2009 Chan et al.
D601,366 S 10/2009 Barabas et al.
D604,040 S 11/2009 Fleming
D605,175 S 12/2009 Maruska et al.
D614,402 S 4/2010 Lown et al.
D618,229 S 6/2010 de Jong et al.
D620,259 S 7/2010 Fahrendorff et al.
7,775,354 B2 8/2010 Latchford et al.
D623,399 S 9/2010 McSweyn
D627,675 S 11/2010 Graham et al.
7,855,529 B2 12/2010 Liu
D666,408 S 9/2012 Neely, III
D666,821 S 9/2012 Phillips et al.
D666,824 S 9/2012 Phillips et al.
D666,826 S 9/2012 Phillips et al.
D669,272 S 10/2012 Yang et al.
D670,497 S 11/2012 Phillips et al.
8,399,764 B2 3/2013 Klosky
D681,613 S 5/2013 Magness et al.
D683,136 S 5/2013 Wilson et al.
D692,664 S 11/2013 Rashid
8,644,011 B2 2/2014 Parkinson
D707,041 S 6/2014 Park et al.
D709,869 S 7/2014 Witter et al.
D711,866 S 8/2014 Kawata
D714,296 S 9/2014 Fujioka
8,831,538 B2 9/2014 Yuen
D718,750 S 12/2014 Young et al.
D720,096 S 12/2014 McDougall



D720,718 S	1/2015	Stevinson	
8,961,015 B1	2/2015	Bihn	
D731,178 S	6/2015	Gorouvein et al.	
D732,681 S	6/2015	Matsuura	
D733,696 S	7/2015	Burgett et al.	
9,090,385 B2	7/2015	Blagojevic	
D735,991 S	8/2015	Brennan et al.	
D740,653 S	10/2015	Akana et al.	
D751,558 S	3/2016	Lee	
D764,476 S	8/2016	Gleason, III et al.	
D766,905 S	9/2016	Lee	
D768,605 S	10/2016	Wong et al.	
D769,879 S	10/2016	Kim	
D775,818 S	1/2017	Ingraham	
D780,740 S	3/2017	Kim	
D781,295 S	3/2017	Tur	
D790,512 S	6/2017	Lee	
D794,617 S *	8/2017	Wright	D14/238.1
D794,618 S	8/2017	Wright et al.	
9,733,054 B2	8/2017	Blagojevic	
D800,700 S	10/2017	Bergman	
D805,502 S	12/2017	Zhuang	
D806,082 S	12/2017	Armstrong et al.	
D806,388 S	1/2018	Akana et al.	
D812,065 S	3/2018	Shim	
D836,478 S	12/2018	Wright et al.	
D838,265 S	1/2019	Wright et al.	
D838,723 S	1/2019	Wang	
D846,264 S	4/2019	Wu	
D847,807 S	5/2019	Wright et al.	
D848,013 S	5/2019	Fuhner et al.	
D849,401 S	5/2019	Akana et al.	
D852,372 S	6/2019	Fuhner et al.	
D854,022 S	7/2019	Chen	
D856,310 S	8/2019	Lu	
D868,453 S *	12/2019	Lee	D3/201
D869,161 S *	12/2019	Zhong	D3/294
D869,675 S	12/2019	Hitscherich et al.	
D872,094 S *	1/2020	Wright	D14/440
D872,723 S *	1/2020	Lee	D14/250
D872,724 S	1/2020	Lee et al.	
D881,179 S *	4/2020	Wright	D14/250
D881,181 S *	4/2020	Wright	D14/250
D881,566 S	4/2020	Lee et al.	
D881,867 S	4/2020	Lee et al.	
D882,259 S	4/2020	Liu	
D886,453 S	6/2020	Wright et al.	
D887,401 S *	6/2020	Wright	D14/250
D888,036 S *	6/2020	Wright	D14/250
D888,041 S *	6/2020	Wright	D14/250
D888,408 S	6/2020	Lee et al.	
D891,771 S	8/2020	Lee et al.	
D892,499 S	8/2020	Wright et al.	
D893,166 S *	8/2020	Lu	D3/201
D893,184 S	8/2020	Liu	
D897,678 S	10/2020	Koh	
D897,997 S	10/2020	Zhang	
D903,316 S	12/2020	Kwak et al.	
D907,009 S	1/2021	Akana et al.	
D911,706 S *	3/2021	Hyun	D3/273
D913,292 S *	3/2021	Brown	D14/440
D920,662 S *	6/2021	Youn	D3/218
2007/0261978 A1	11/2007	Sanderson	
2011/0017620 A1	1/2011	Latchiford et al.	
2015/0014367 A1	1/2015	VanSyckel	
2015/0195938 A1	7/2015	Witter et al.	
2016/0240945 A1	8/2016	Lee et al.	

FOREIGN PATENT DOCUMENTS

CN	3160446 S	9/2000
CN	301100826 S	1/2010
CN	301206950 S	5/2010
CN	301304263 S	8/2010
CN	301908776 S	5/2012
CN	302075062 S	9/2012
CN	302246979 S	12/2012
CN	302302598 S	1/2013
CN	302706977 S	1/2014

CN	302822402 S	5/2014
CN	303054765 S	12/2014
CN	303092548 S	2/2015
CN	304021713 S	2/2017
CN	304239640 S	8/2017
CN	304317772 S	10/2017
CN	304335071 S	10/2017
CN	304335072 S	10/2017
CN	304342633 S	11/2017
CN	304344793 S	11/2017
CN	304351321 S	11/2017
CN	304362692 S	11/2017
CN	304372544 S	11/2017
CN	206744792 U	12/2017
CN	304382968 S	12/2017
CN	304382972 S	12/2017
CN	304469866 S	1/2018
CN	304477001 S	1/2018
CN	304493923 S	2/2018
CN	304499444 S	2/2018
CN	304501780 S	2/2018
CN	304504641 S	2/2018
CN	304539055 S	3/2018
CN	304983166 S	1/2019
CN	208581338 U	3/2019
CN	208939608 U	6/2019
DE	202018105634 U1	11/2018
DE	202018105634 U1	12/2018
JP	D1574277	3/2017
KR	300355285	6/2004
KR	300384969	6/2005
KR	20130028536 A	3/2013
KR	200488427 Y1	1/2019

OTHER PUBLICATIONS

Notice of Allowance and Fee(s) Due dated Apr. 9, 2020 pertaining to U.S. Appl. No. 29/665,170, filed Oct. 1, 2018, 21 pgs.
Office Action dated Jun. 24, 2020 pertaining to Design U.S. Appl. No. 29/677,855, filed Jan. 24, 2019, 28 pgs.
This AirPods Accessory is strangely awesome—Catalyst AirPods Case, publication date Apr. 7, 2017, [online][site visited Sep. 9, 2019] URL: <https://www.cnet.com/news/coming-soon-a-waterproof-case-for-your-airpods-case/> (Year: 2017).
This glow-in-the-dark,waterproof AirPods case—Catalist AirPods Case, publication date Apr. 14, 2017, [online][site visited Sep. 9, 2019] URL:<https://www.theverge.com/circuitbreaker/2017/4/14/15306100/catalyst-case-airpods-sale-glow-in-the-dark> (Year: 2017).
Kim1991tae. “AirPod Case Catalyst.” Naver, Aug. 9, 2017. Web. <http://blog.naver.com/kim1991tae/221070237784>.
Kim1991tae. “AirPod Case Catalyst.” Naver, Aug. 9, 2017. Web. <https://blog.naver.com/kim1991tae/221070237784>.
Office Action dated May 7, 2020 pertaining to Design U.S. Appl. No. 29/709,817, filed Oct. 17, 2019, 18 pgs.
Office Action dated Apr. 29, 2020 pertaining to U.S. Appl. No. 16/458,476, filed Jul. 1, 2019, 11 pgs.
Breville Smart Oven Review, publication date Sep. 10, 2013, [online][site visited Apr. 30, 2020] URL: <https://www.cnet.com/reviews/breville-smart-oven-review/> (Year: 2013).
Linear DNT Garage Door Remote Control, earliest photo verified date on webarchive Jul. 23, 2016, [online][site visited Apr. 30, 2020] URL: <https://dooropenersandmore.com/linear-dnt00026-mini-remote-control> (Year: 2016).

* cited by examiner

Primary Examiner — Cynthia R Underwood
(74) Attorney, Agent, or Firm — Dinsmore & Shohl LLP

(57) CLAIM

The ornamental design for a sleeve for electronic device, as shown and described.

DESCRIPTION

FIG. 1 is a perspective view including the rear, top, and side of an embodiment of a sleeve for electronic device;

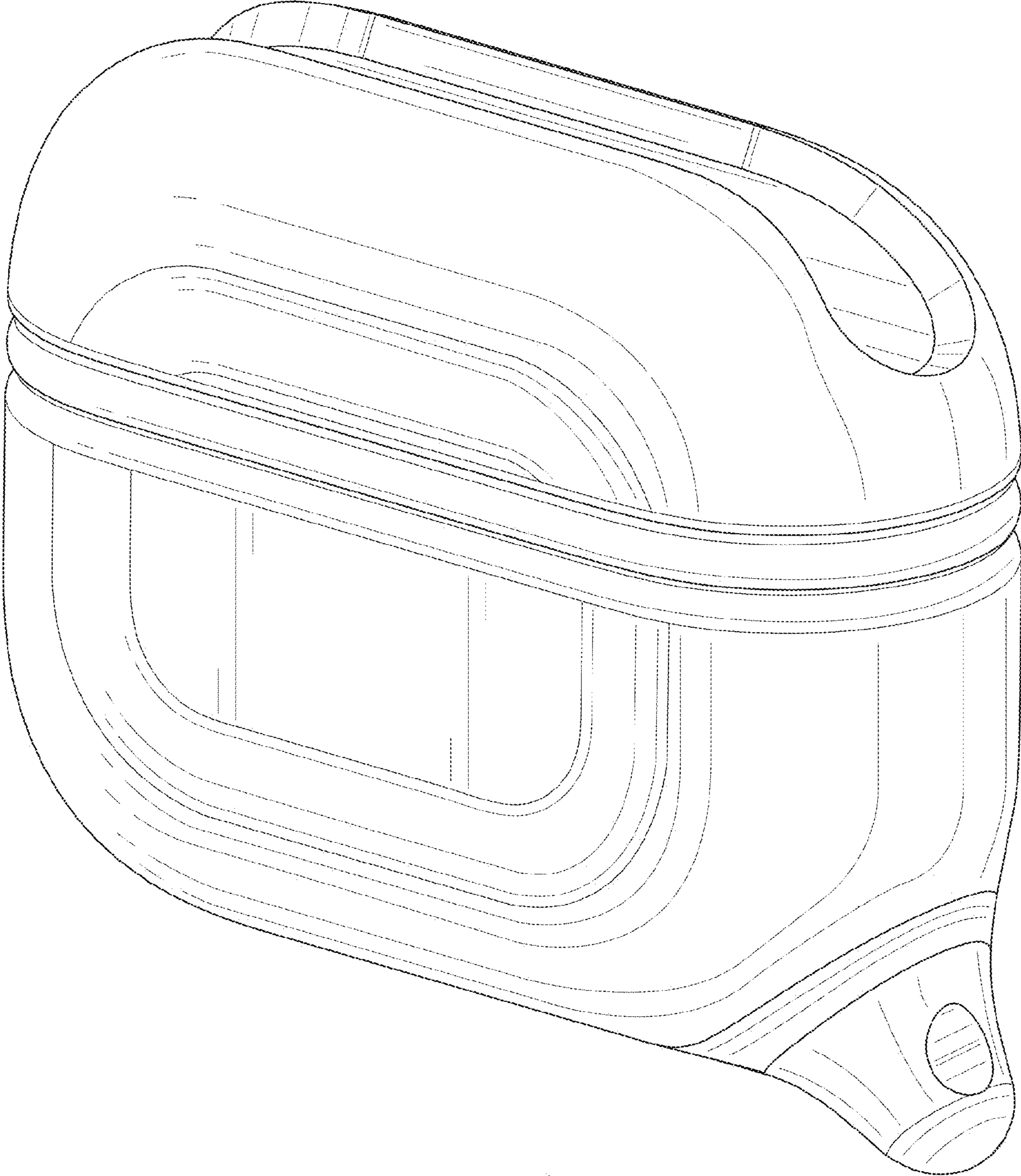


FIG. 1

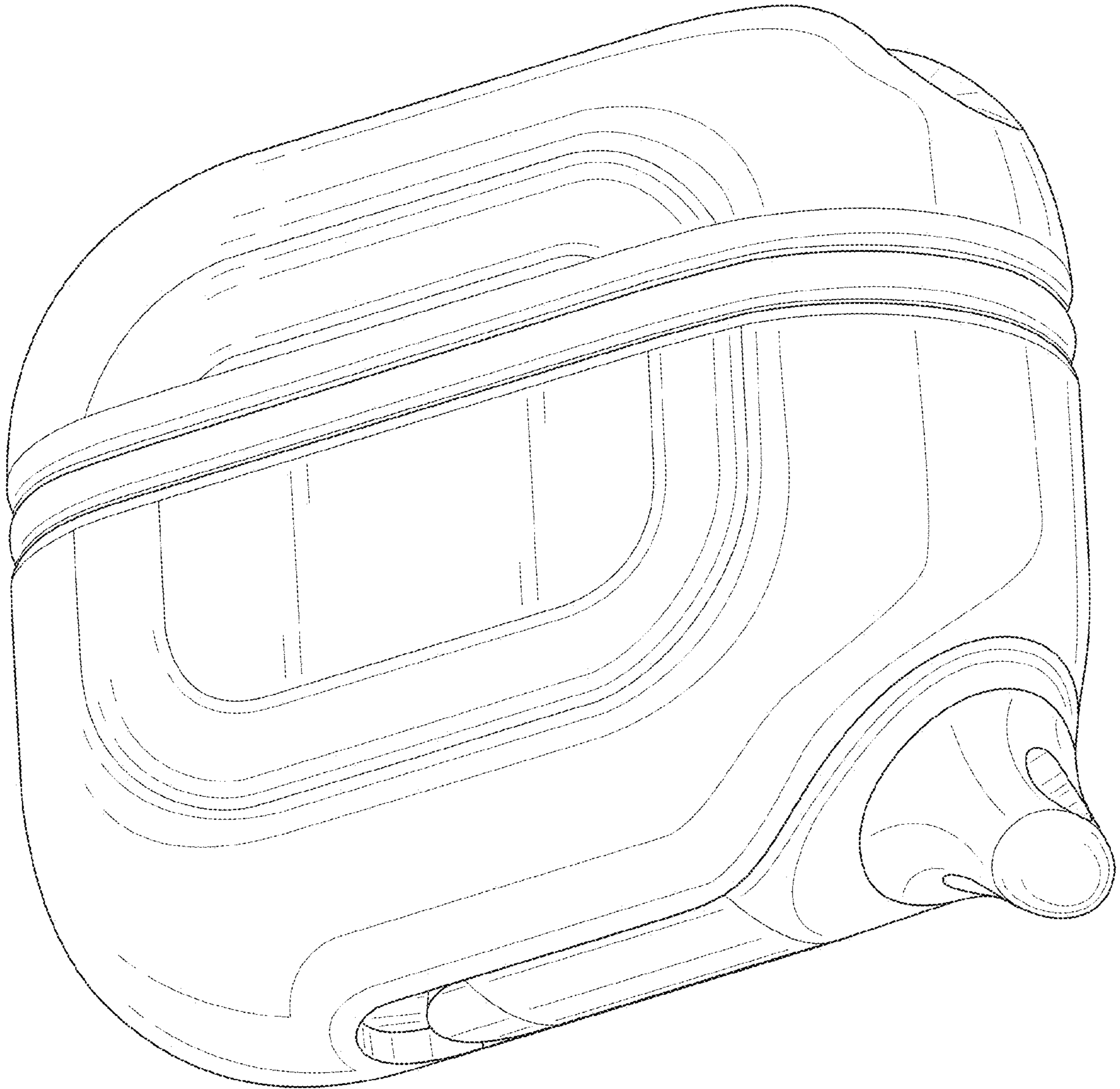


FIG. 2

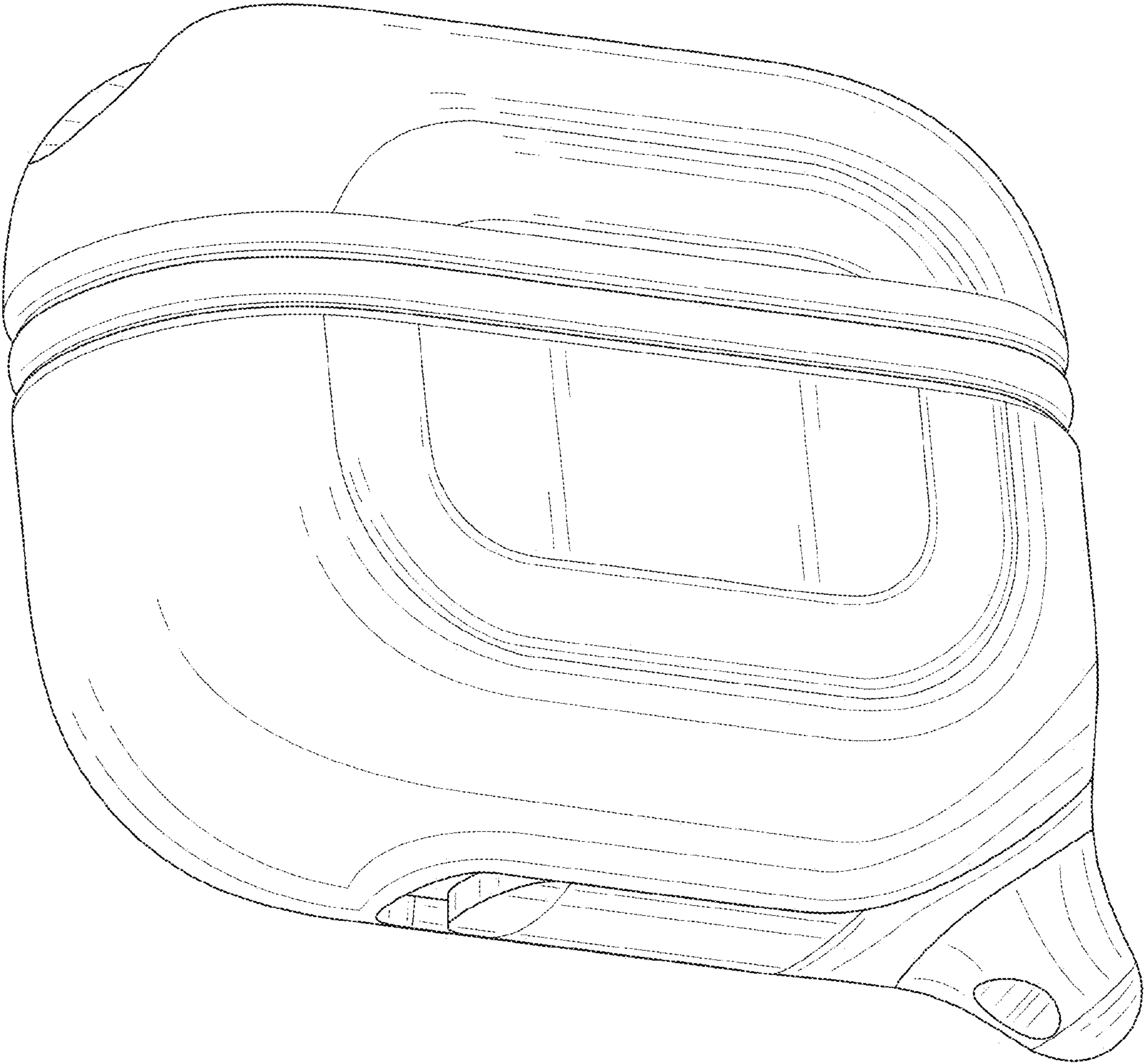


FIG. 3

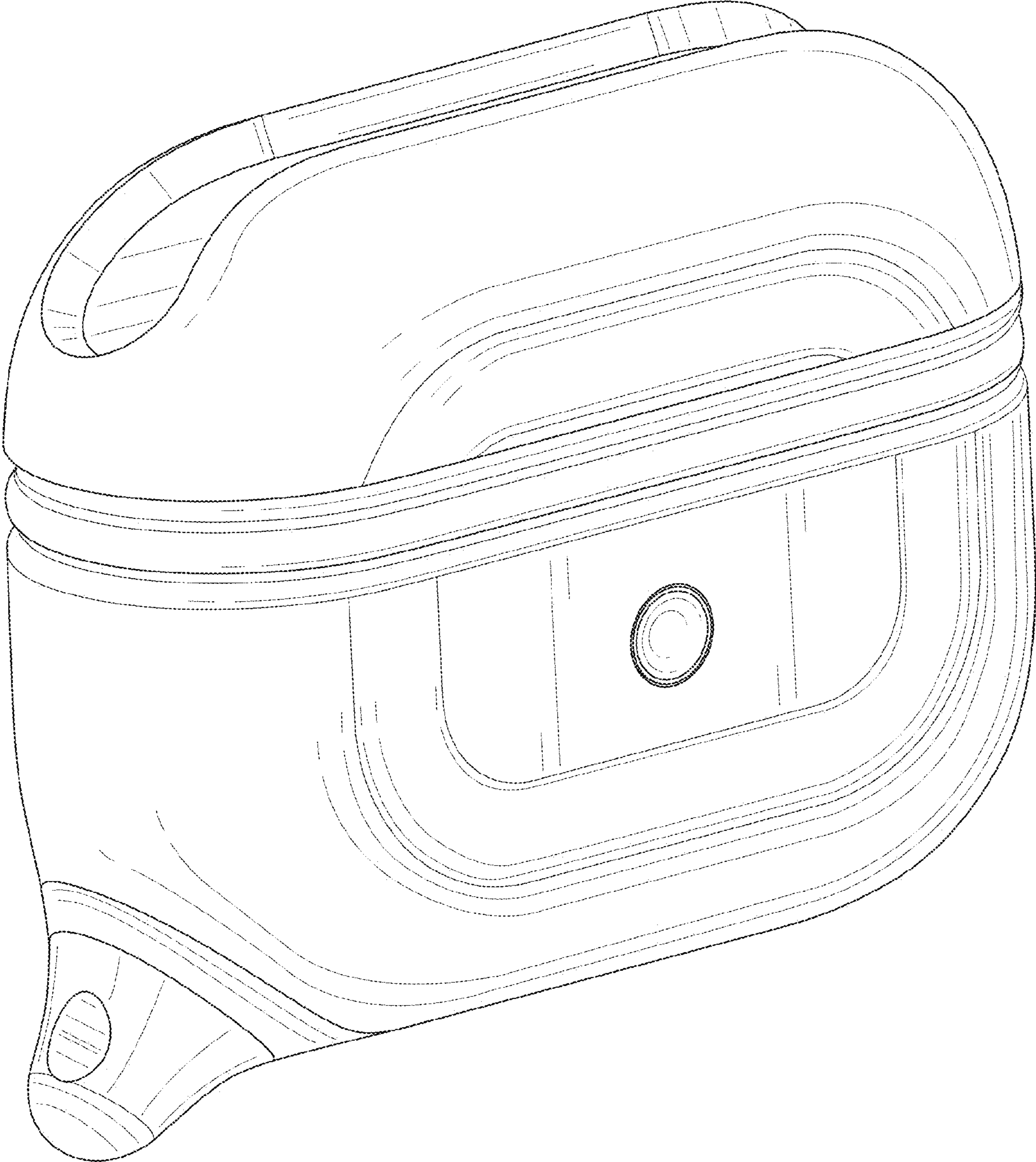


FIG. 4

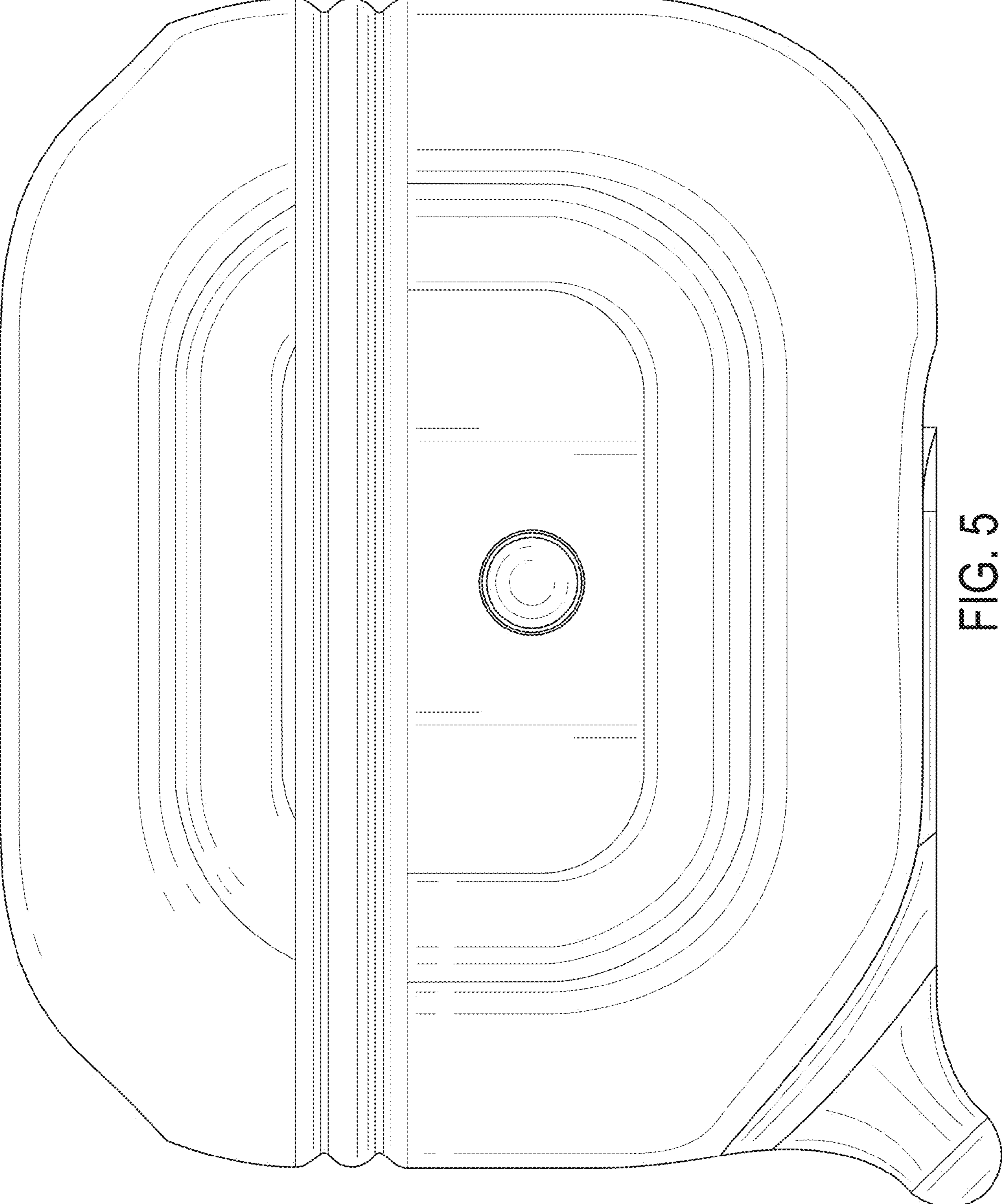


FIG. 5

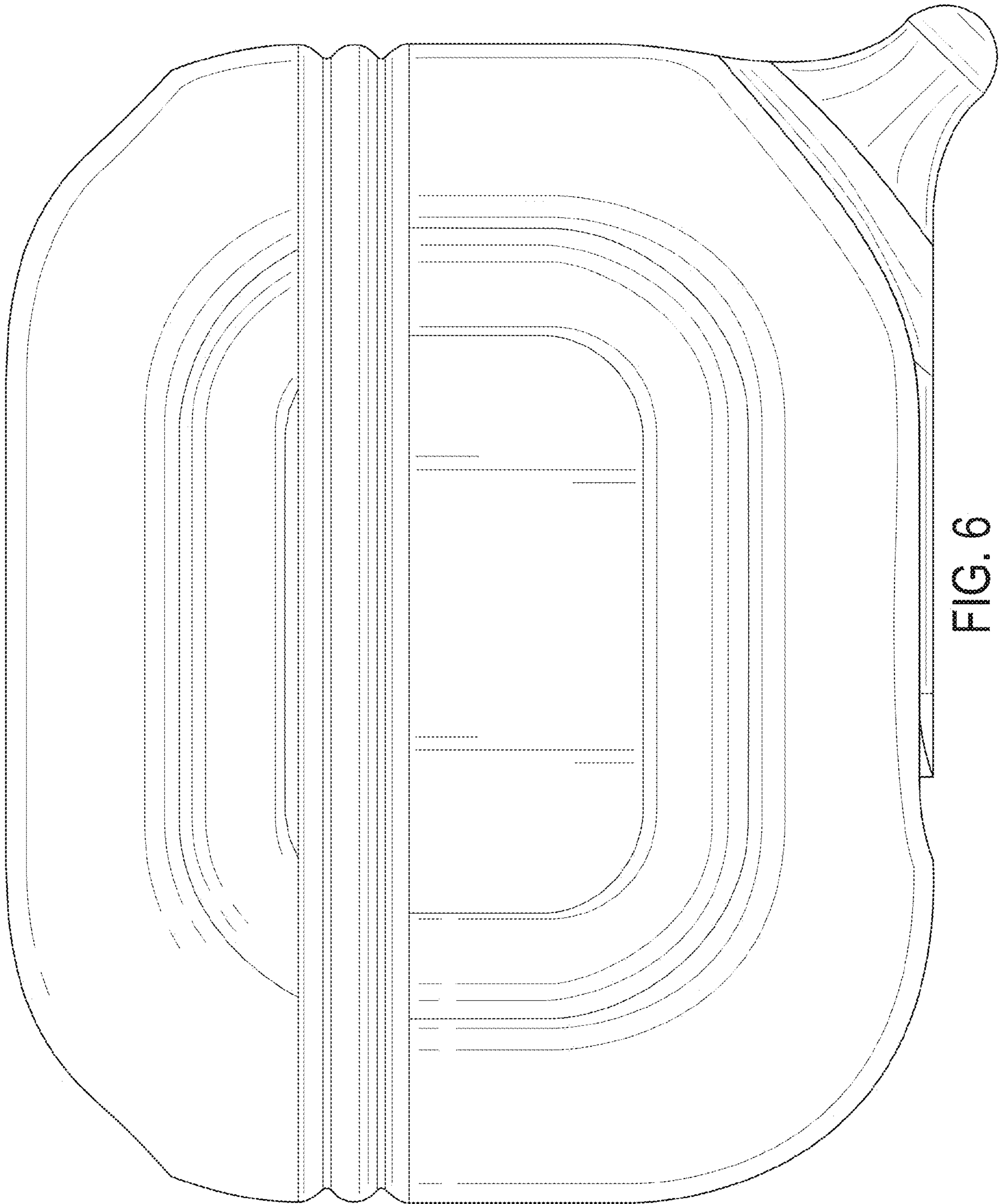


FIG. 6

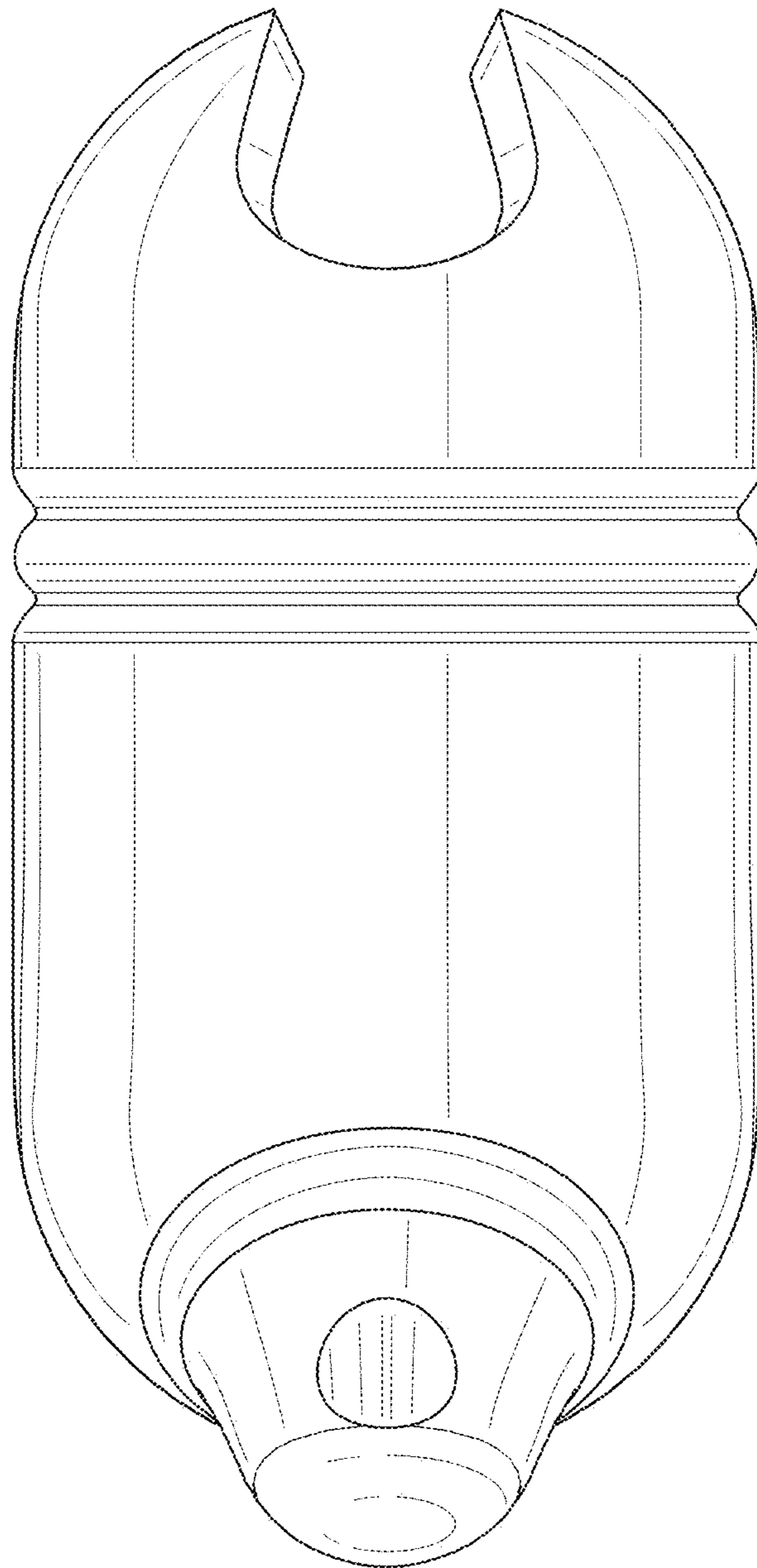


FIG. 7

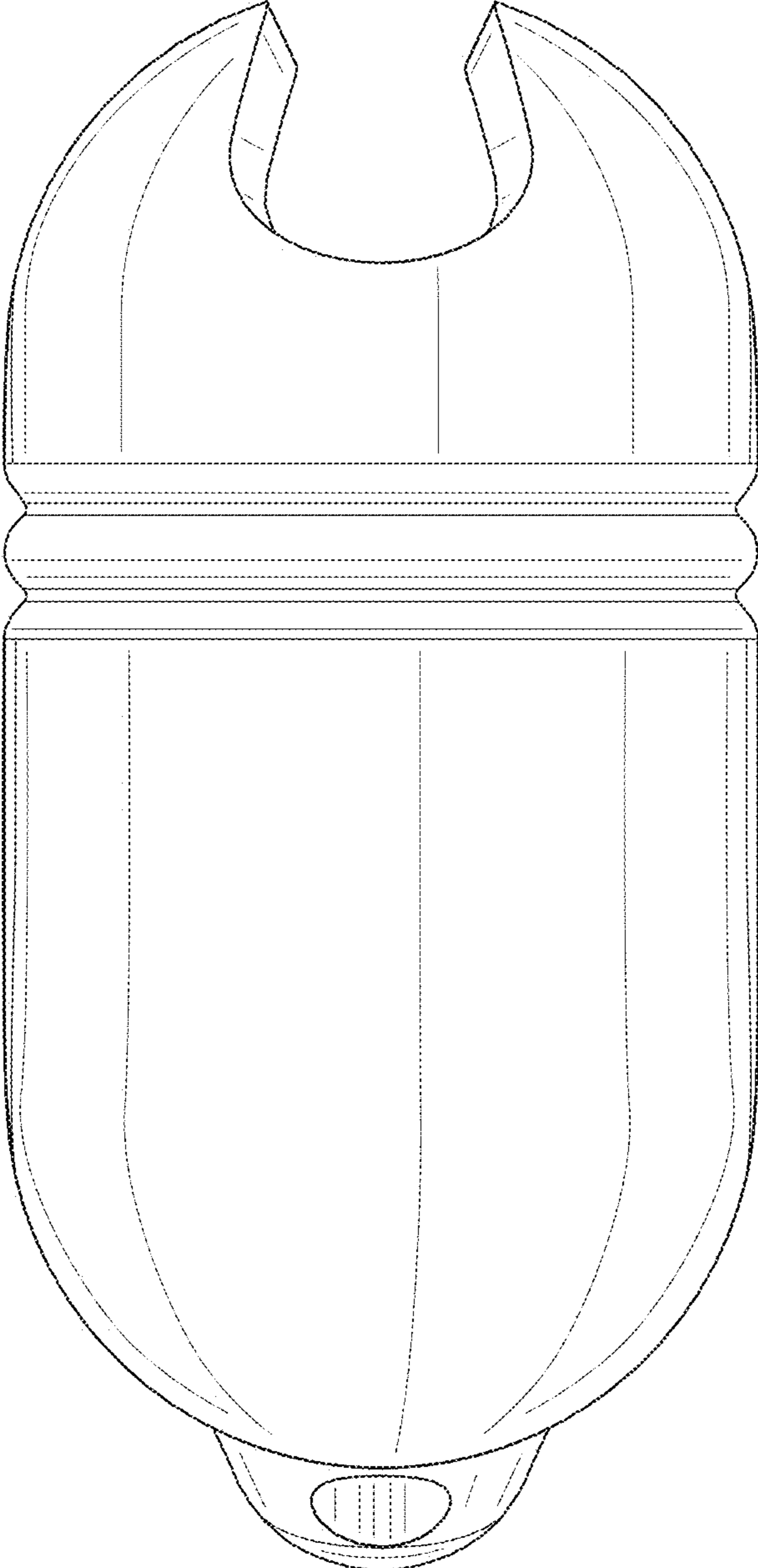


FIG. 8

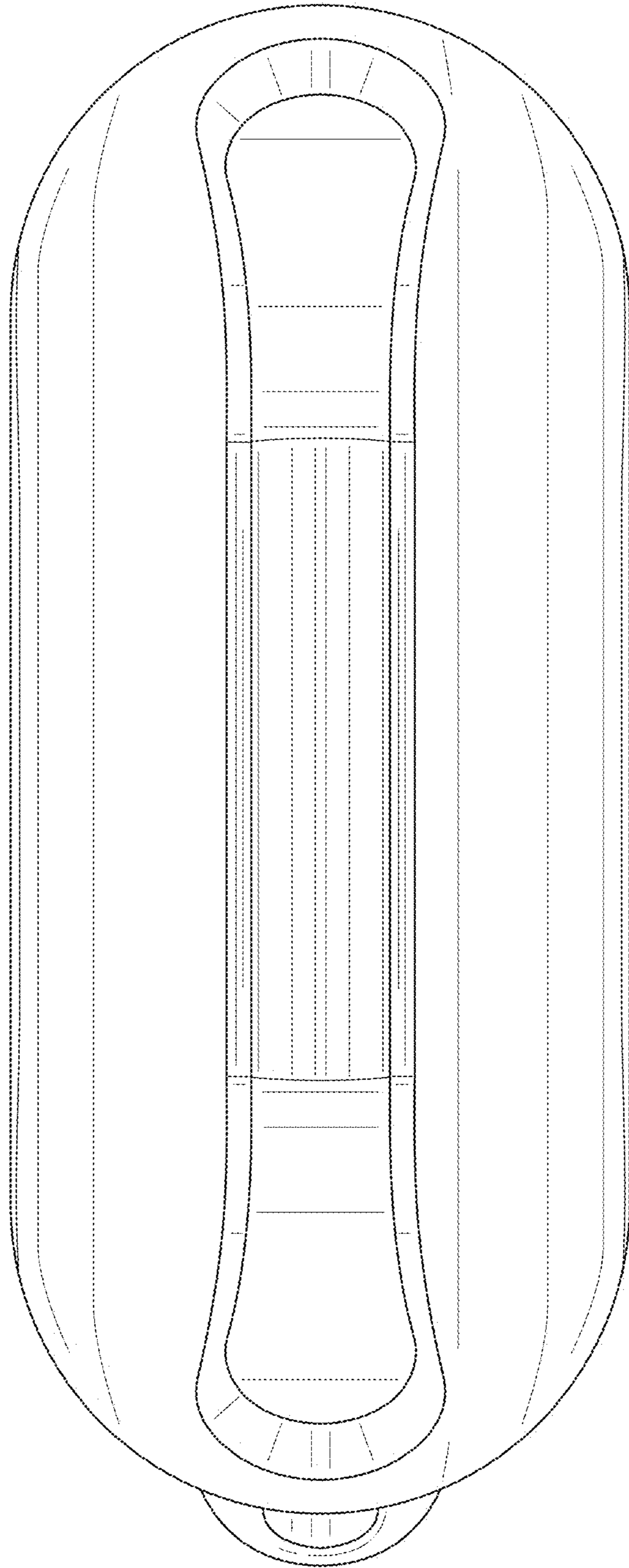


FIG. 9

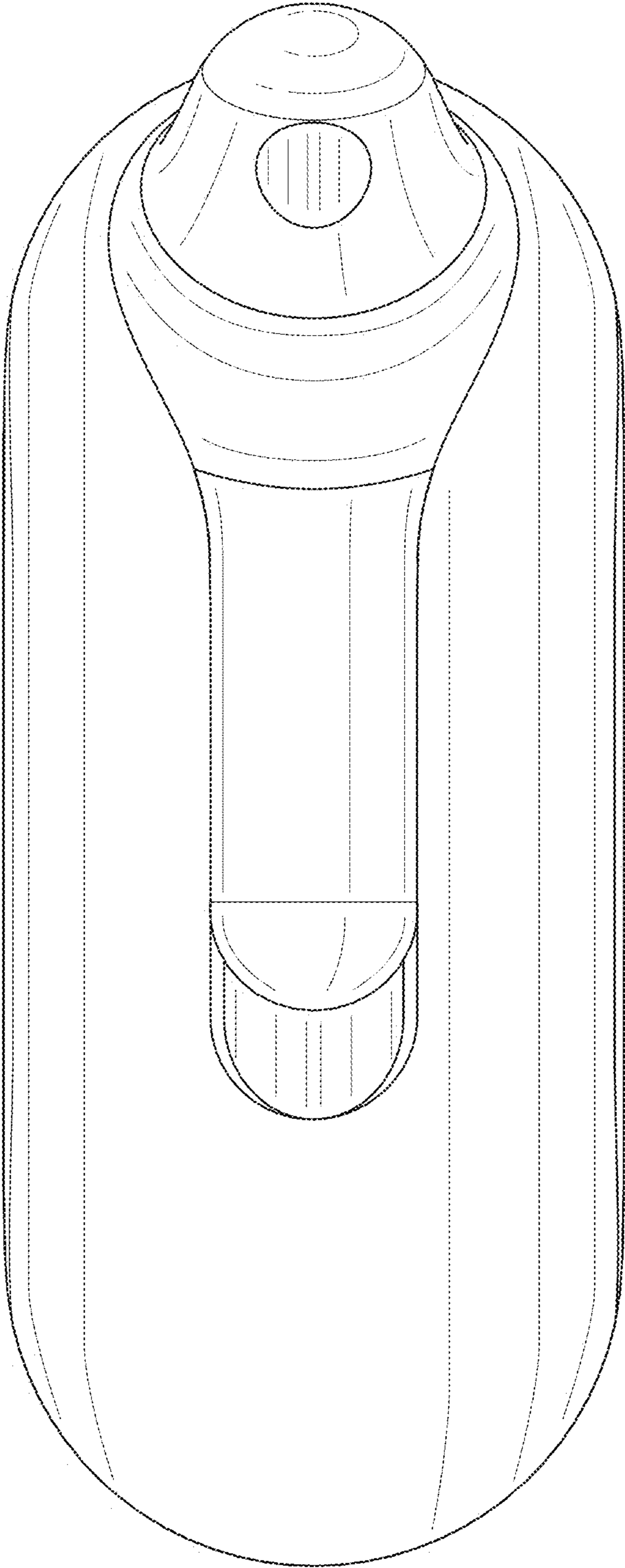


FIG. 10

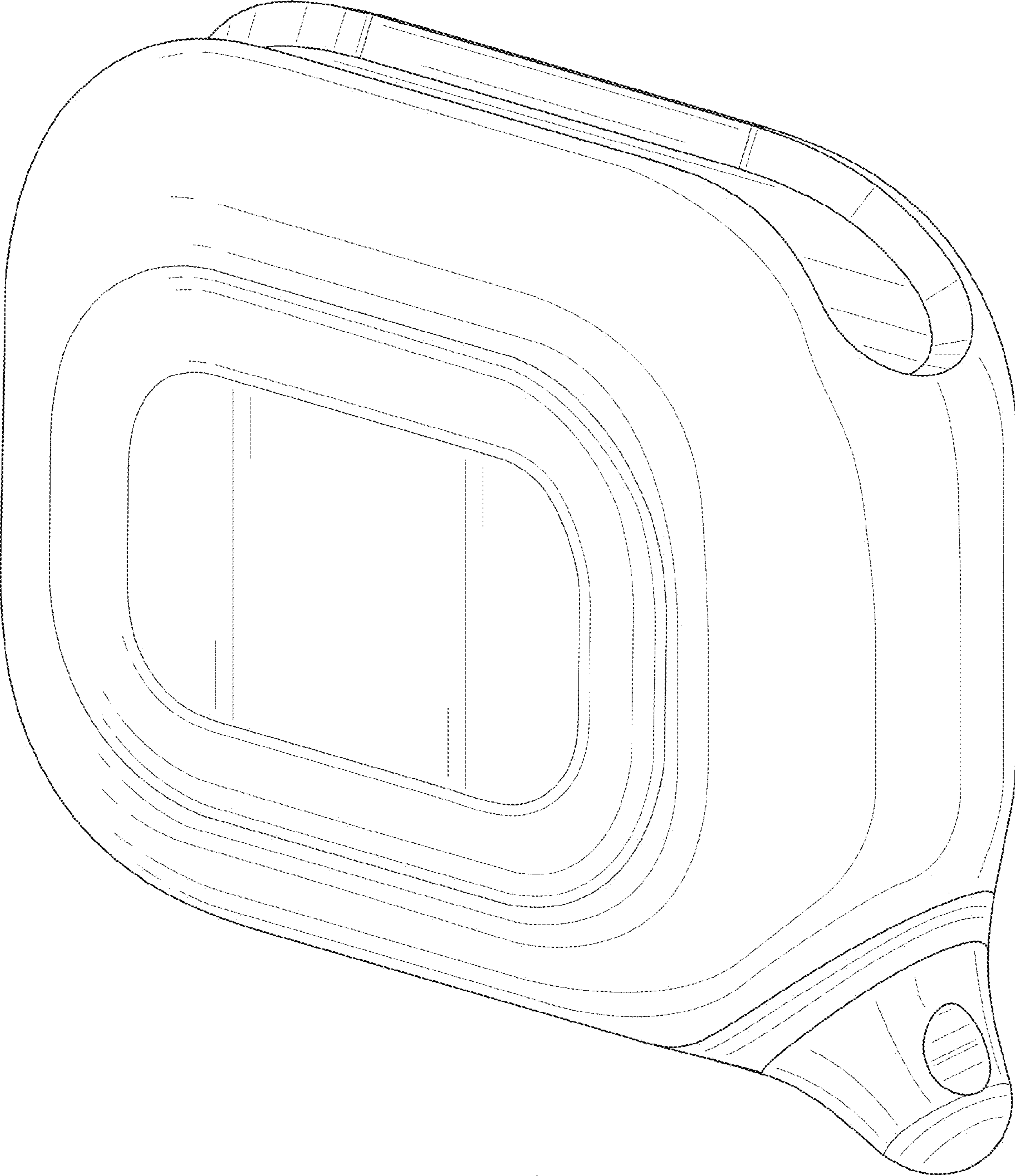


FIG. 11

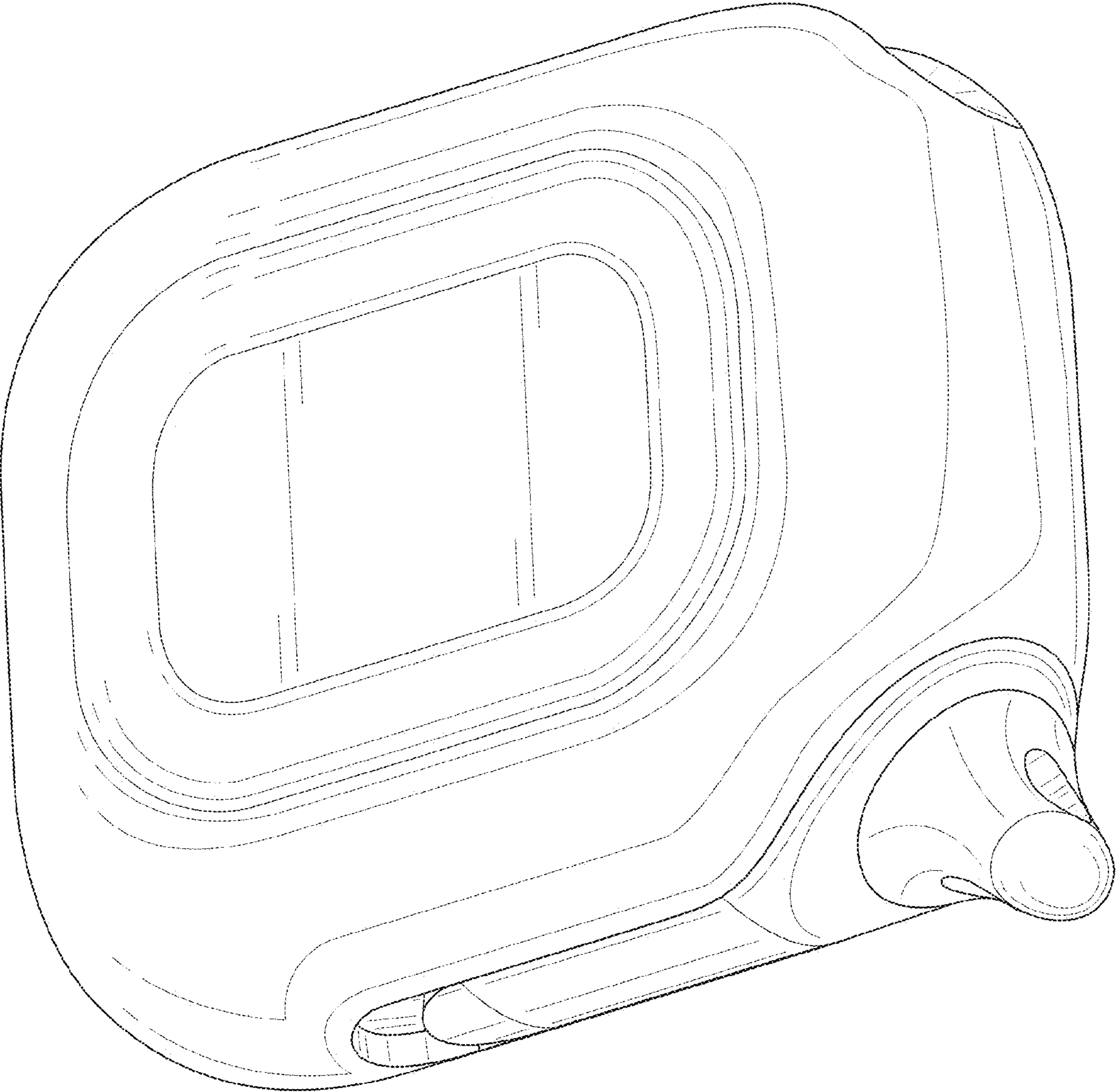


FIG. 12

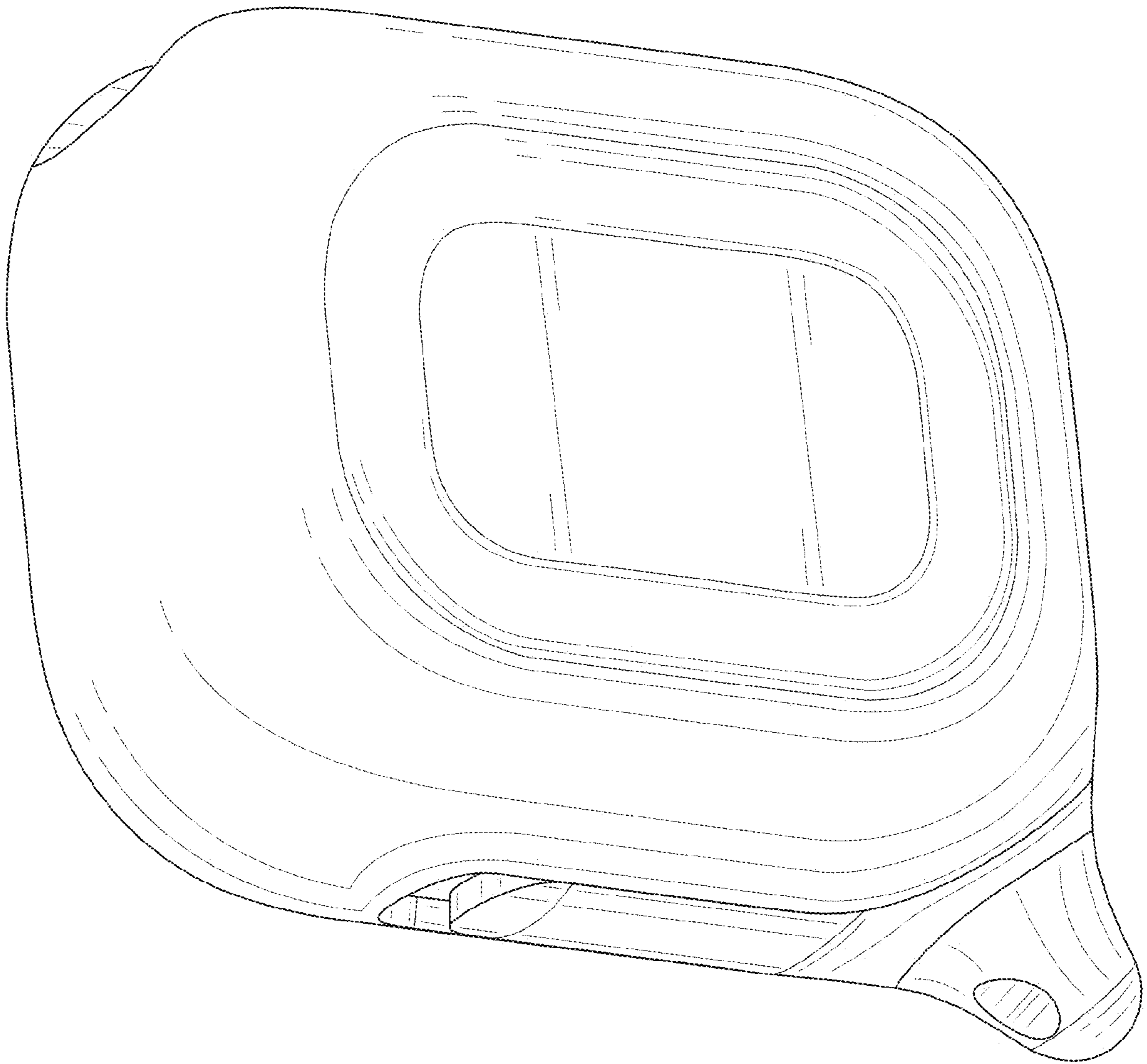


FIG. 13

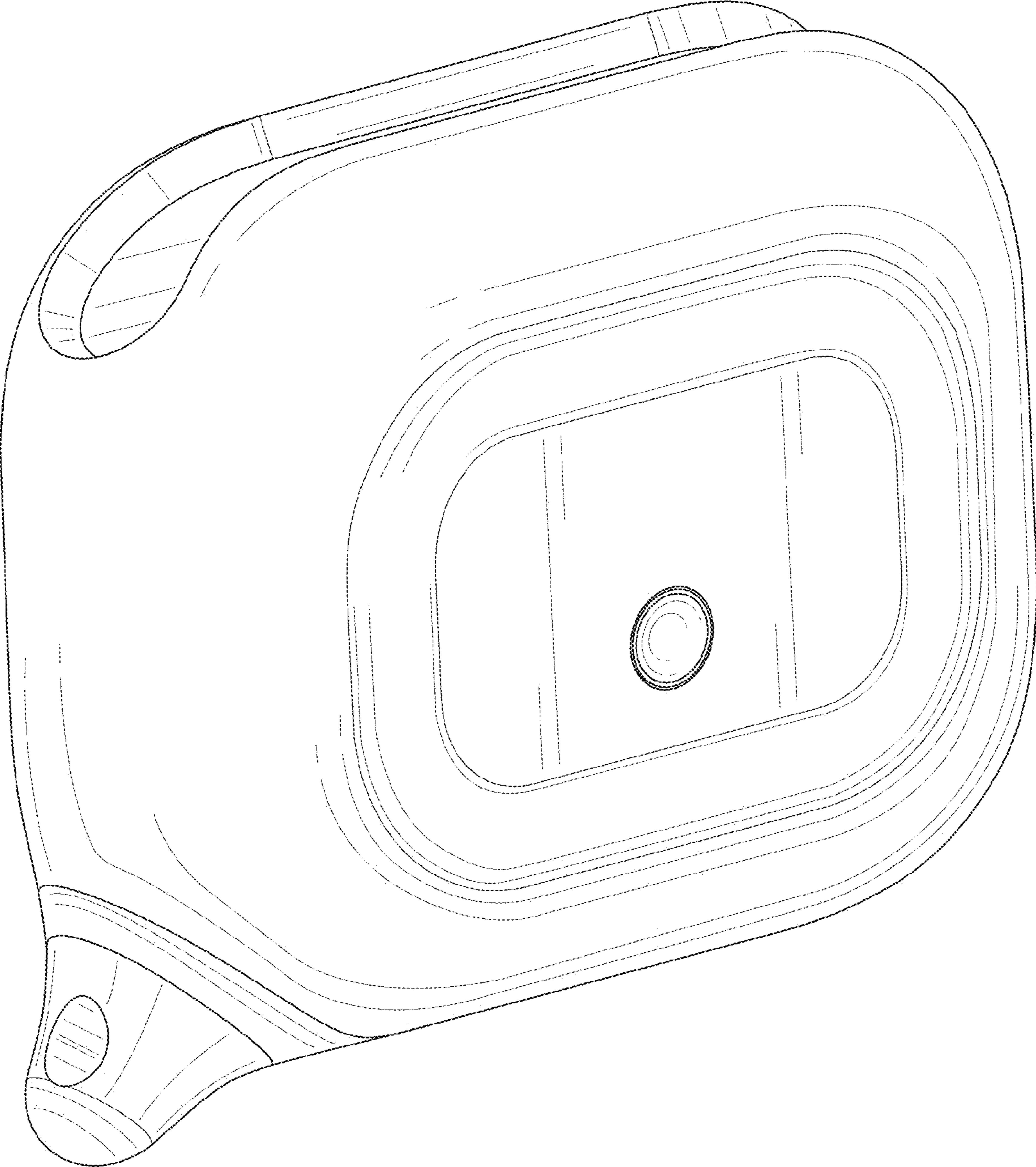


FIG. 14

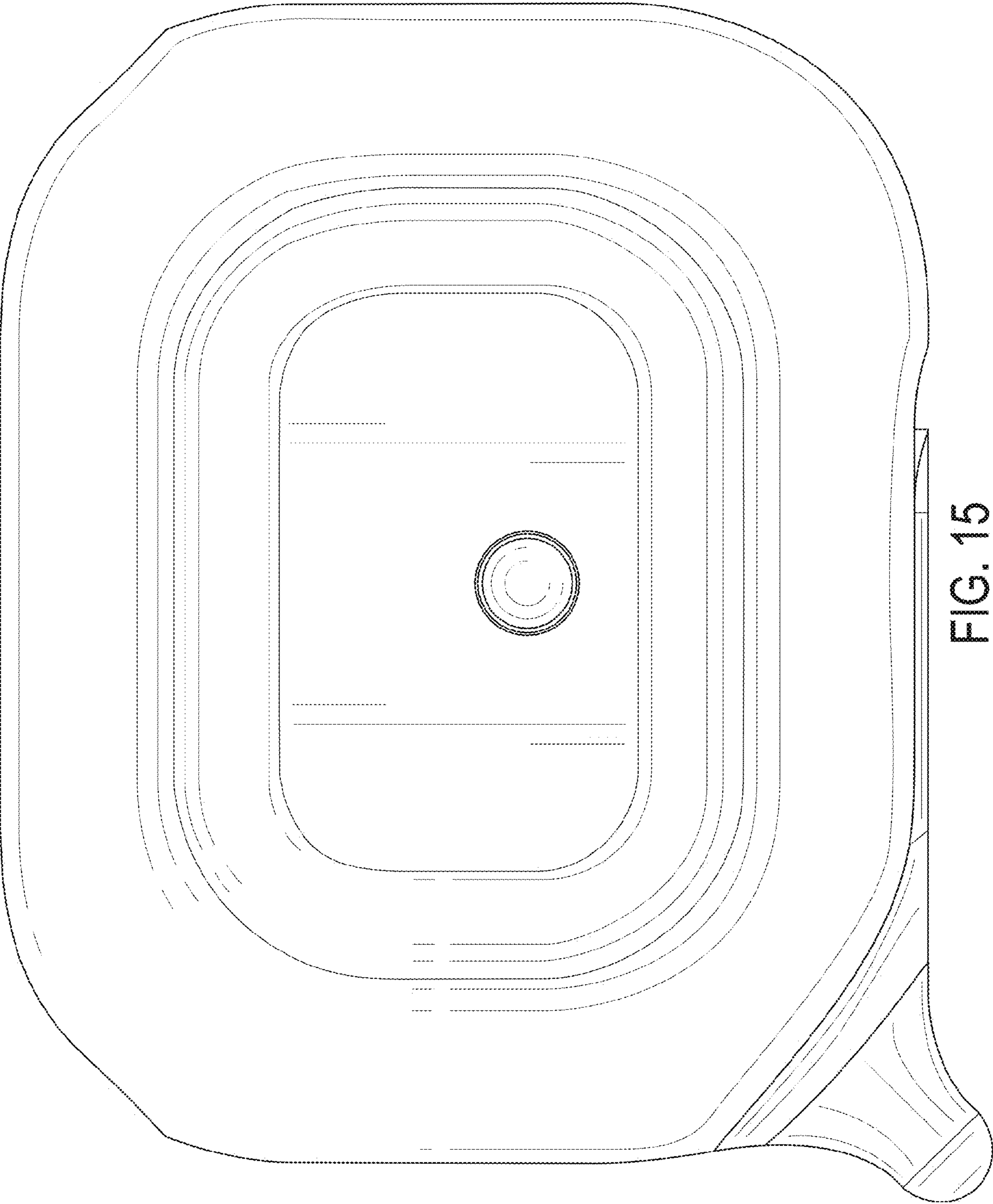


FIG. 15

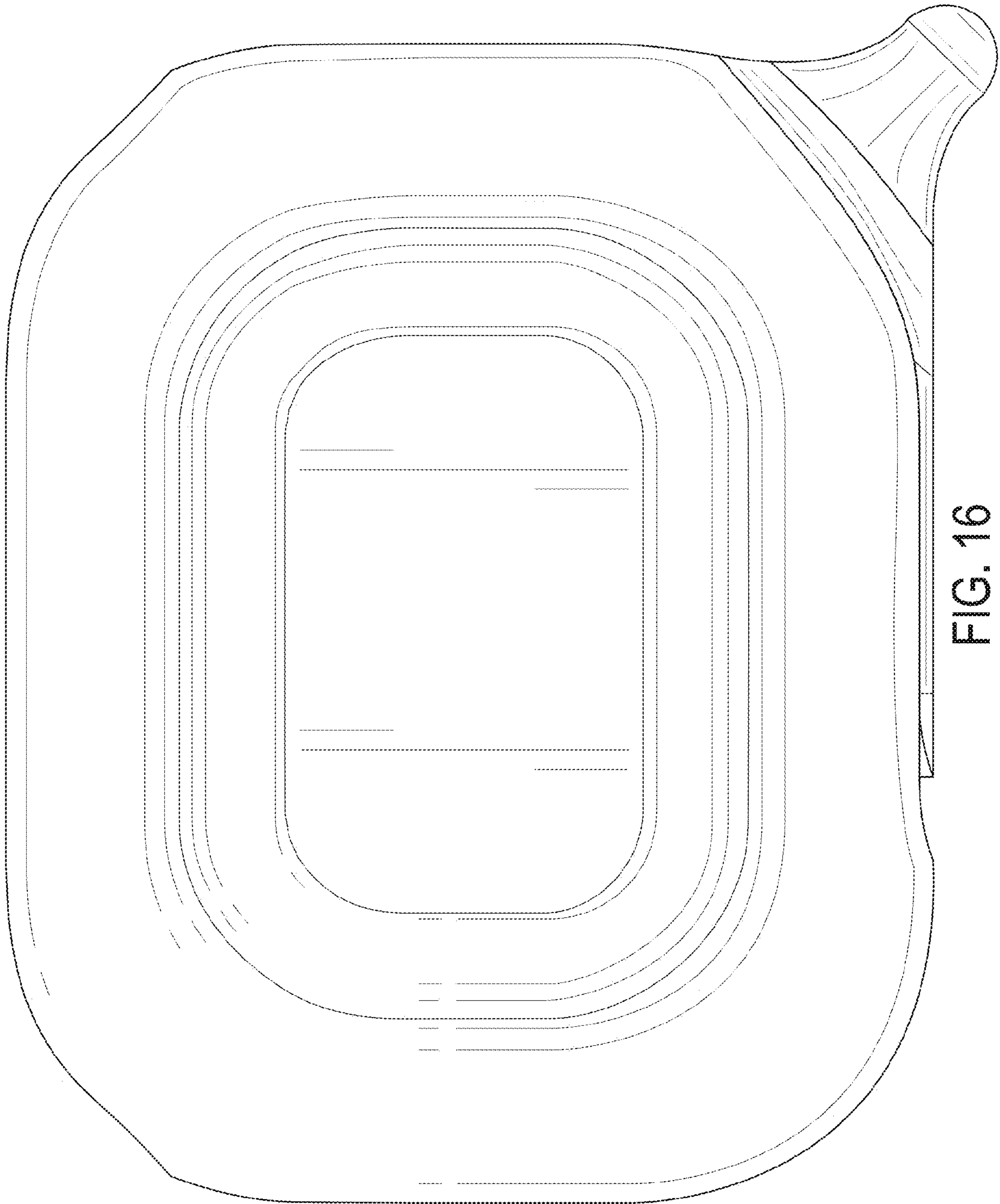


FIG. 16

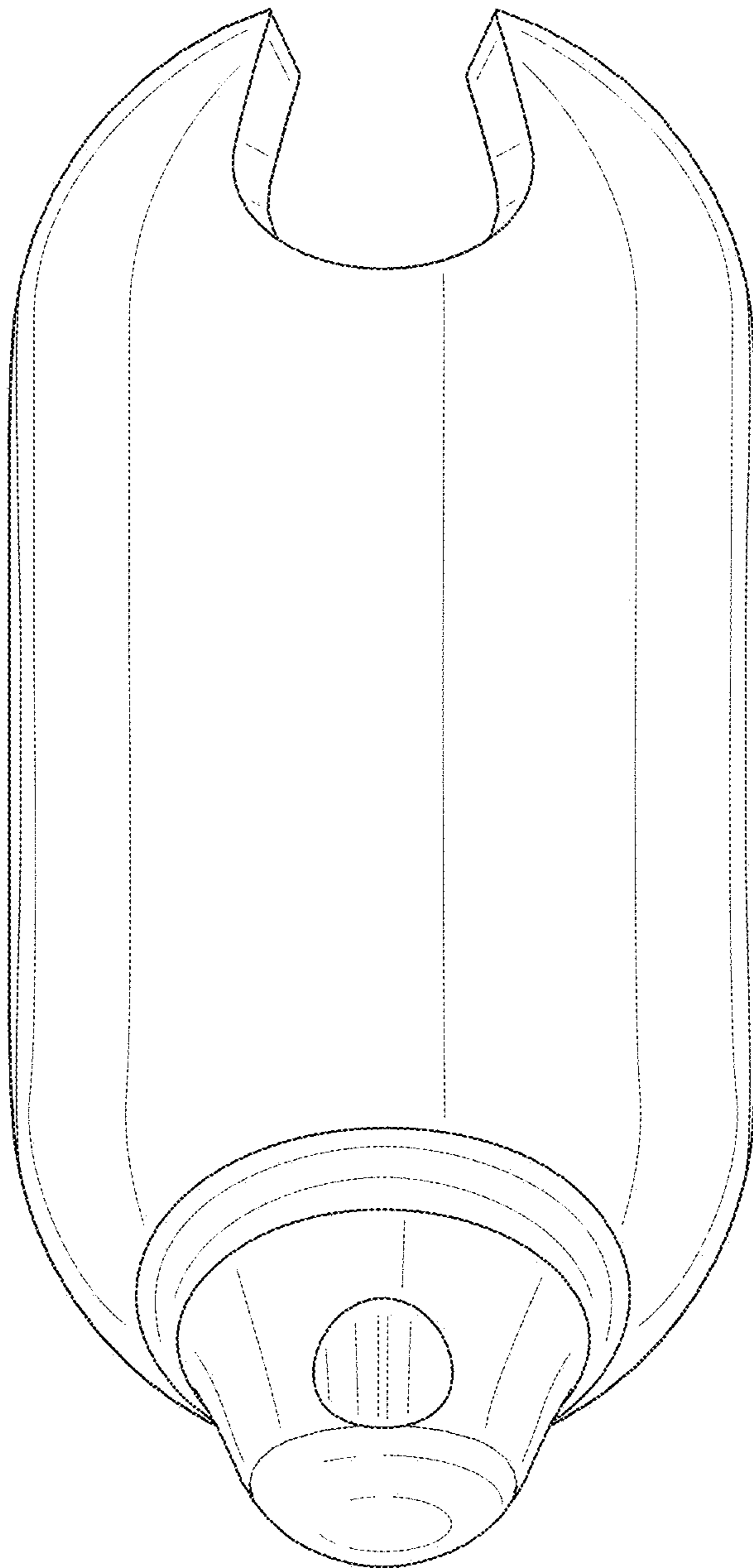


FIG. 17

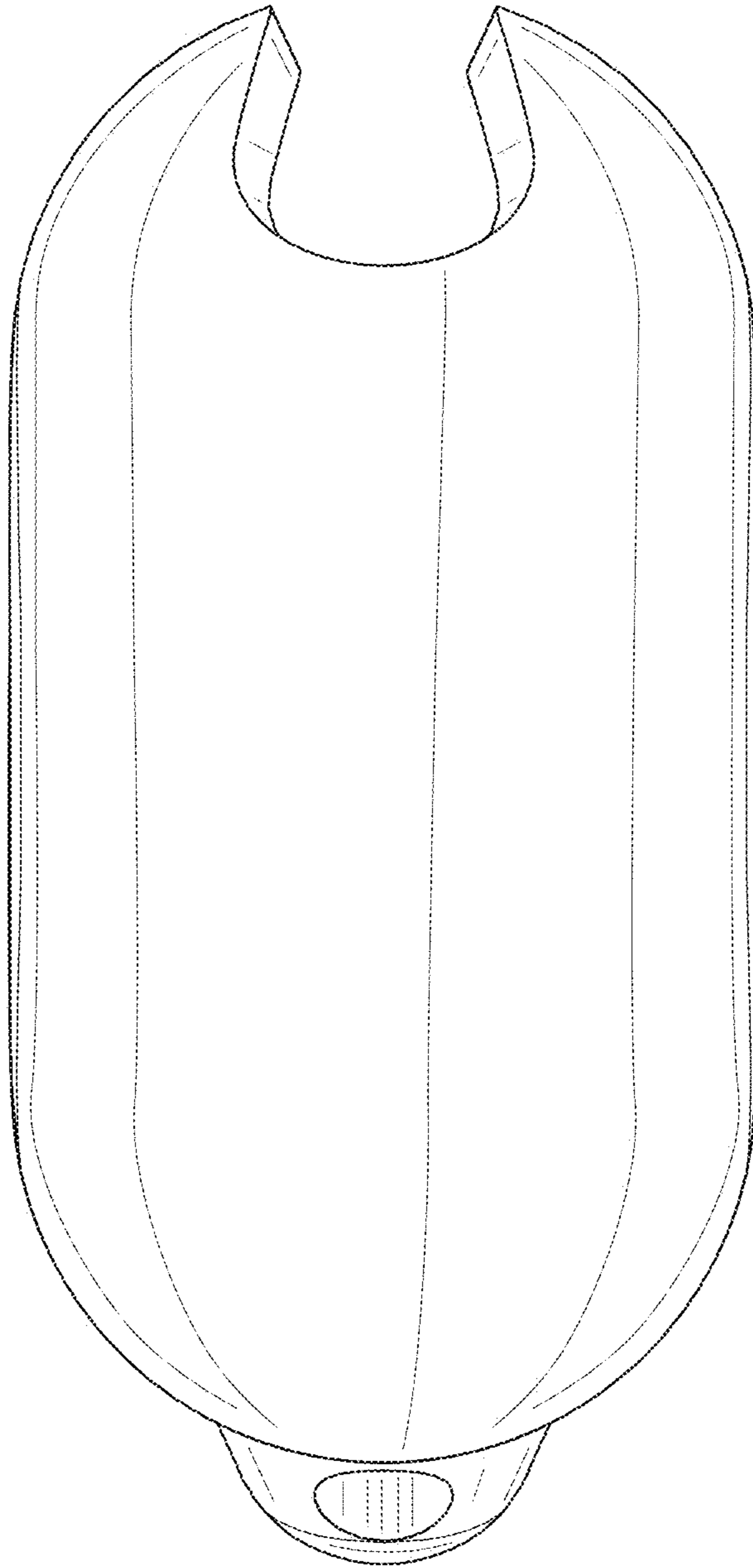


FIG. 18

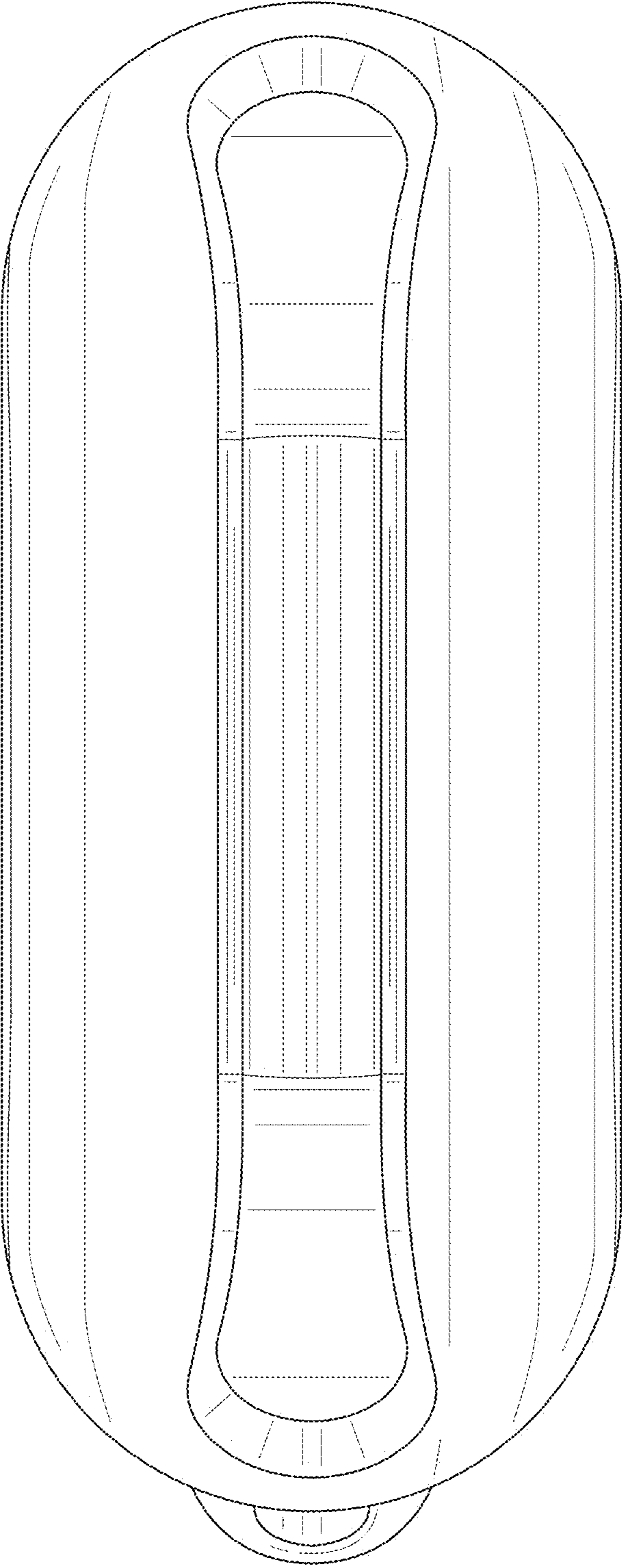


FIG. 19

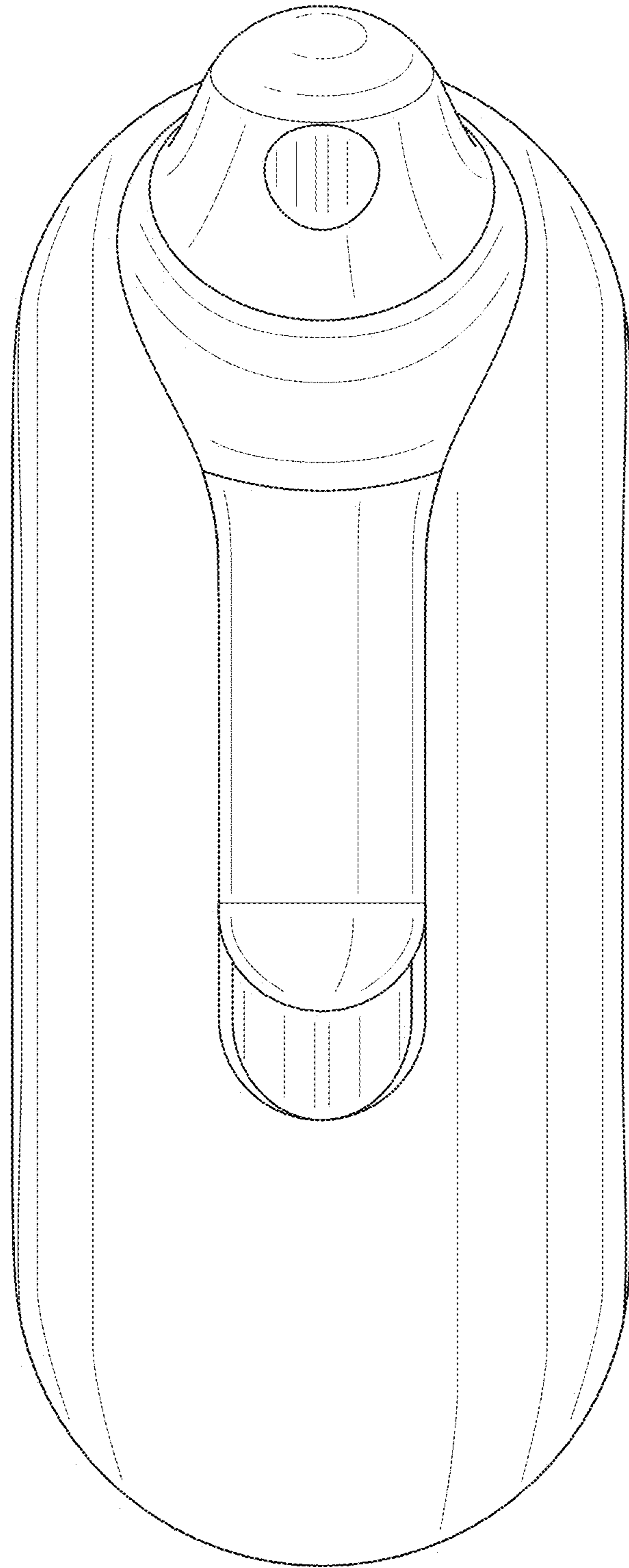


FIG. 20

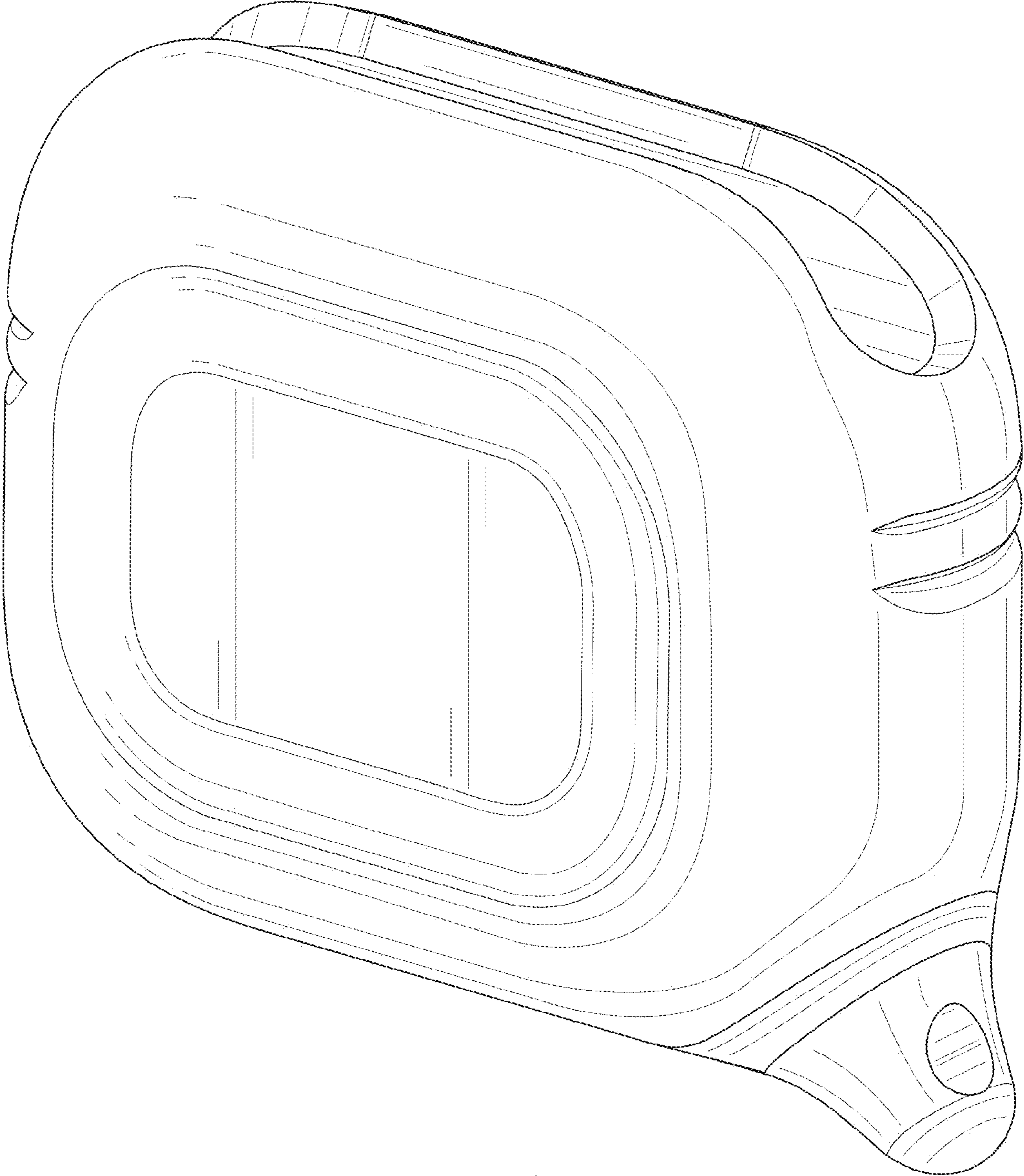


FIG. 21

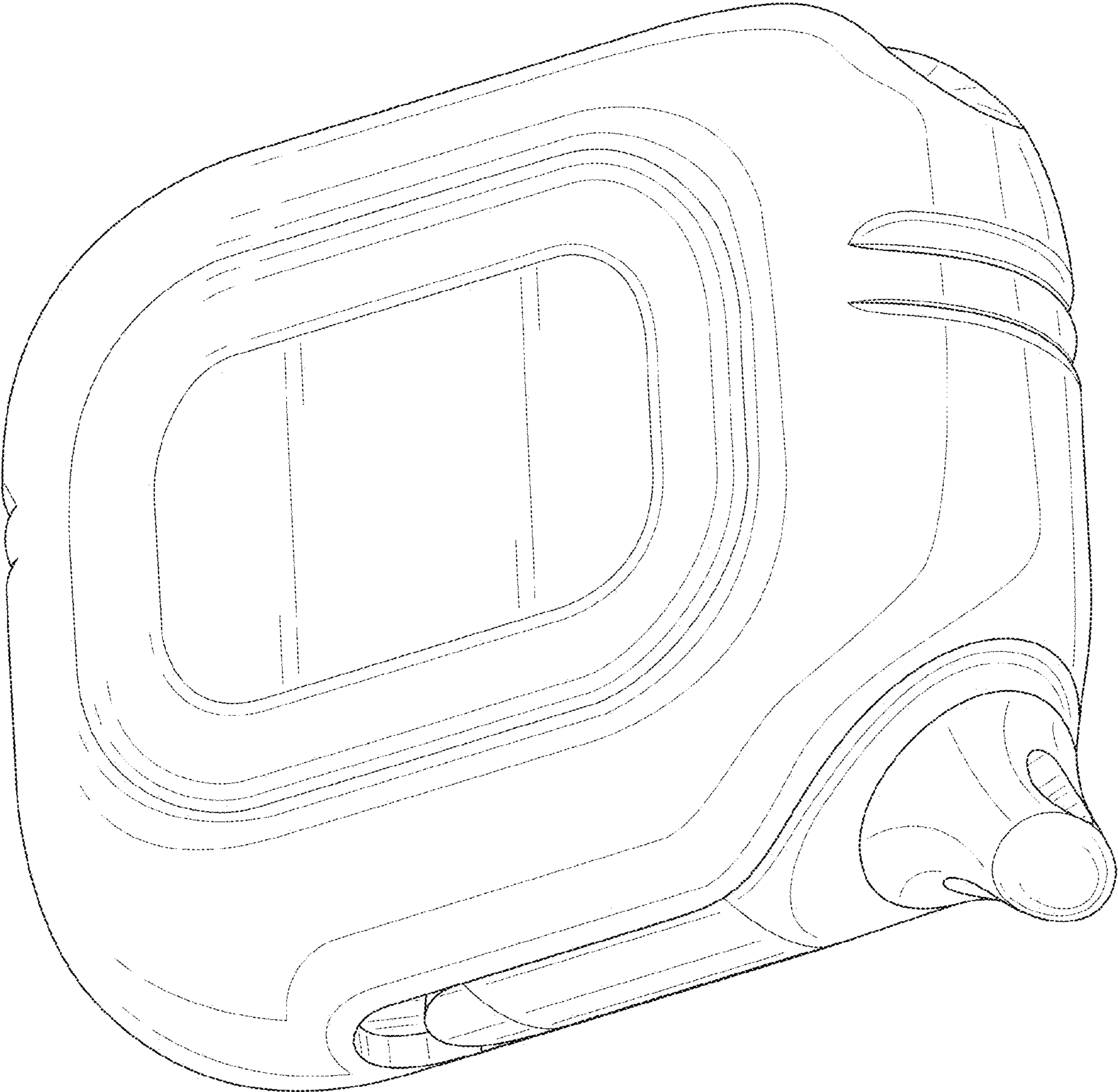


FIG. 22

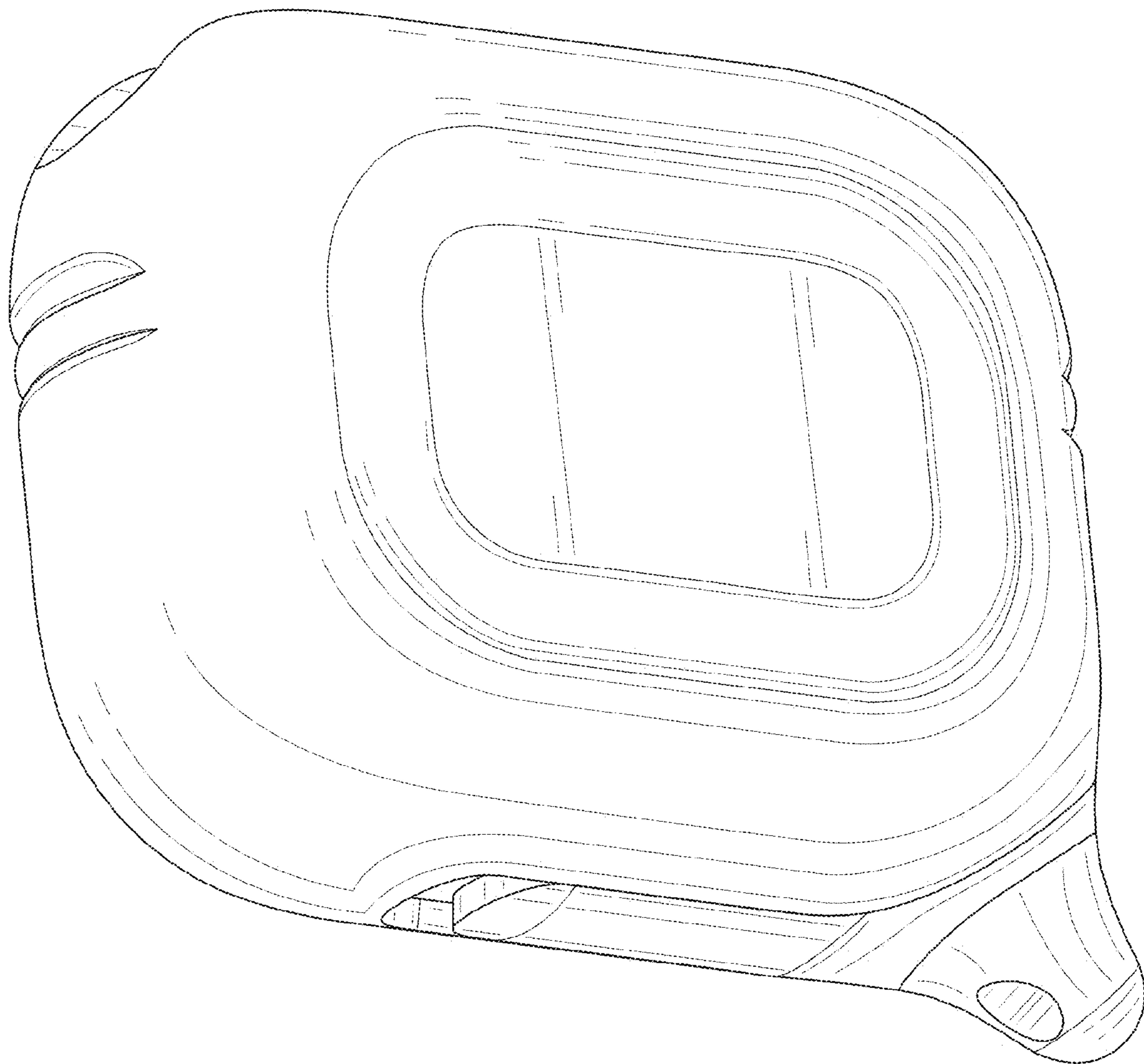


FIG. 23

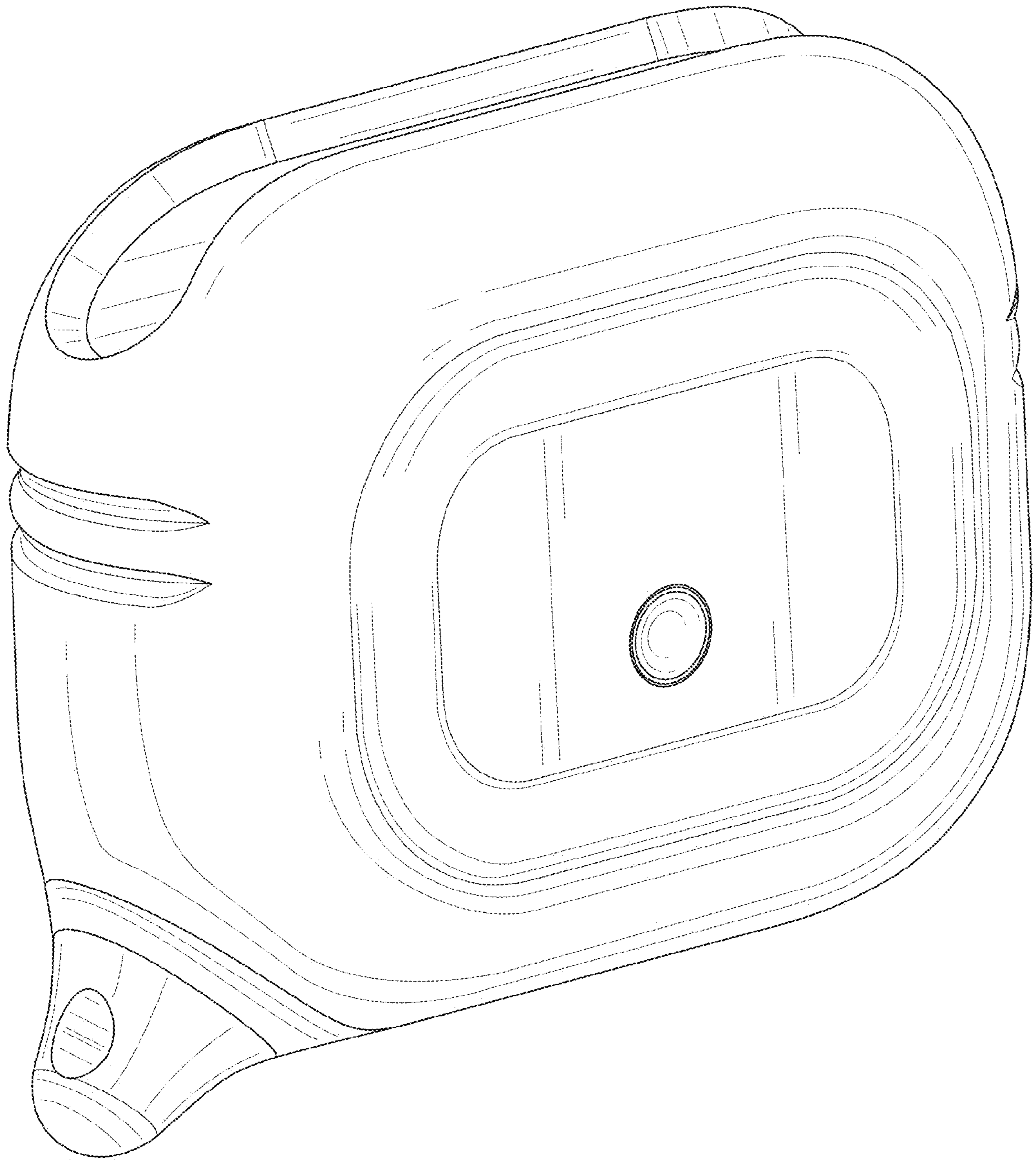


FIG. 24

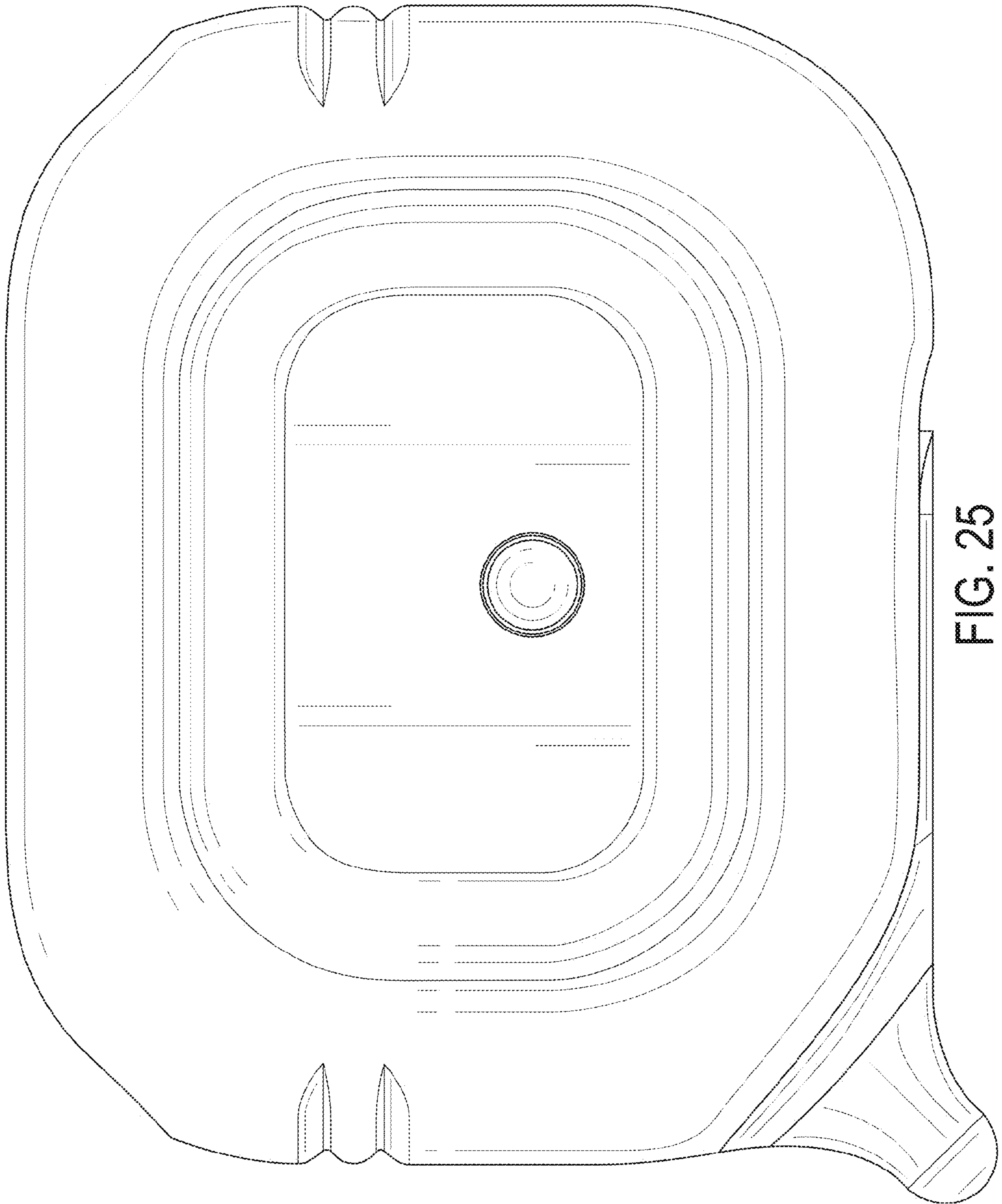


FIG. 25

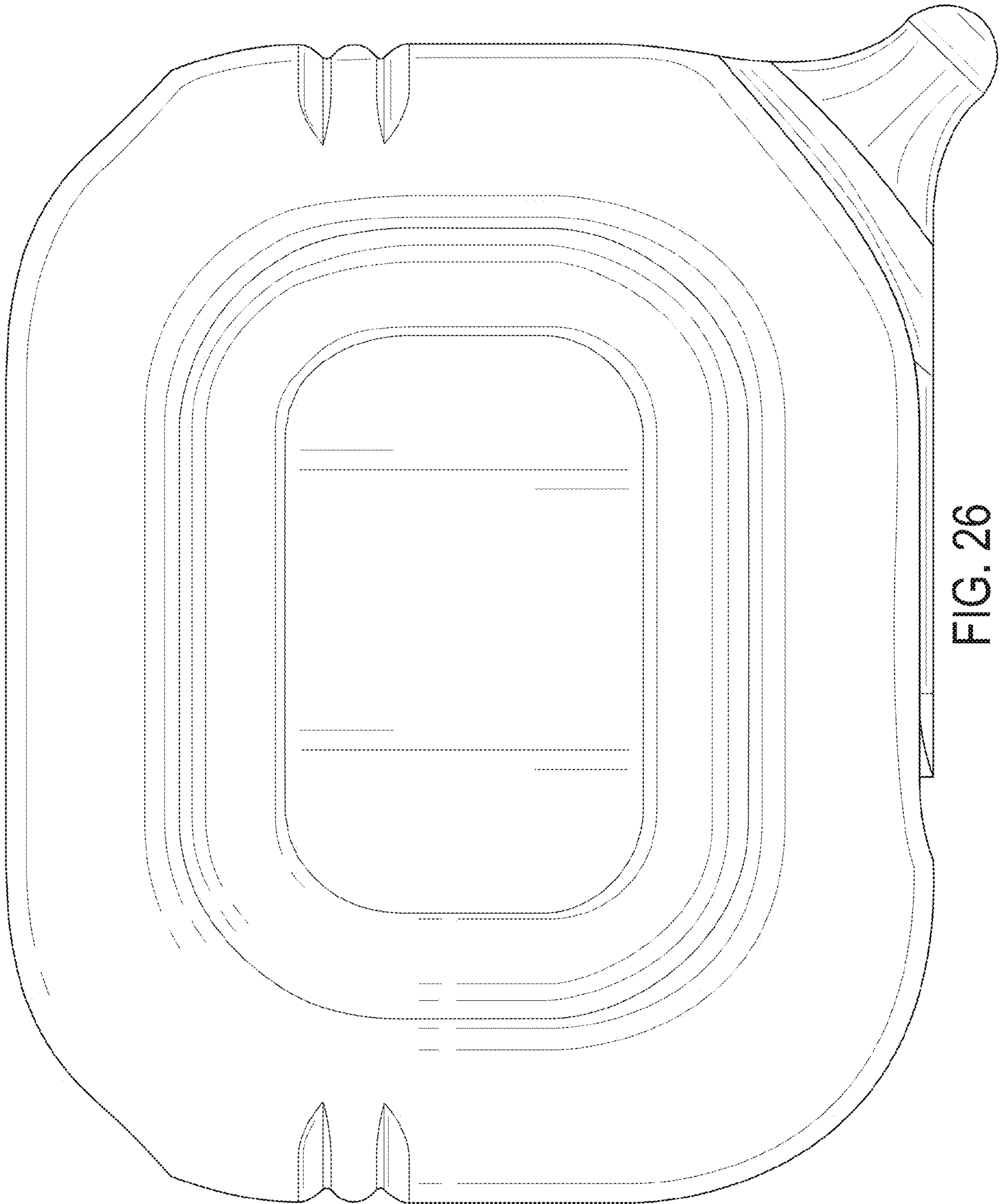


FIG. 26

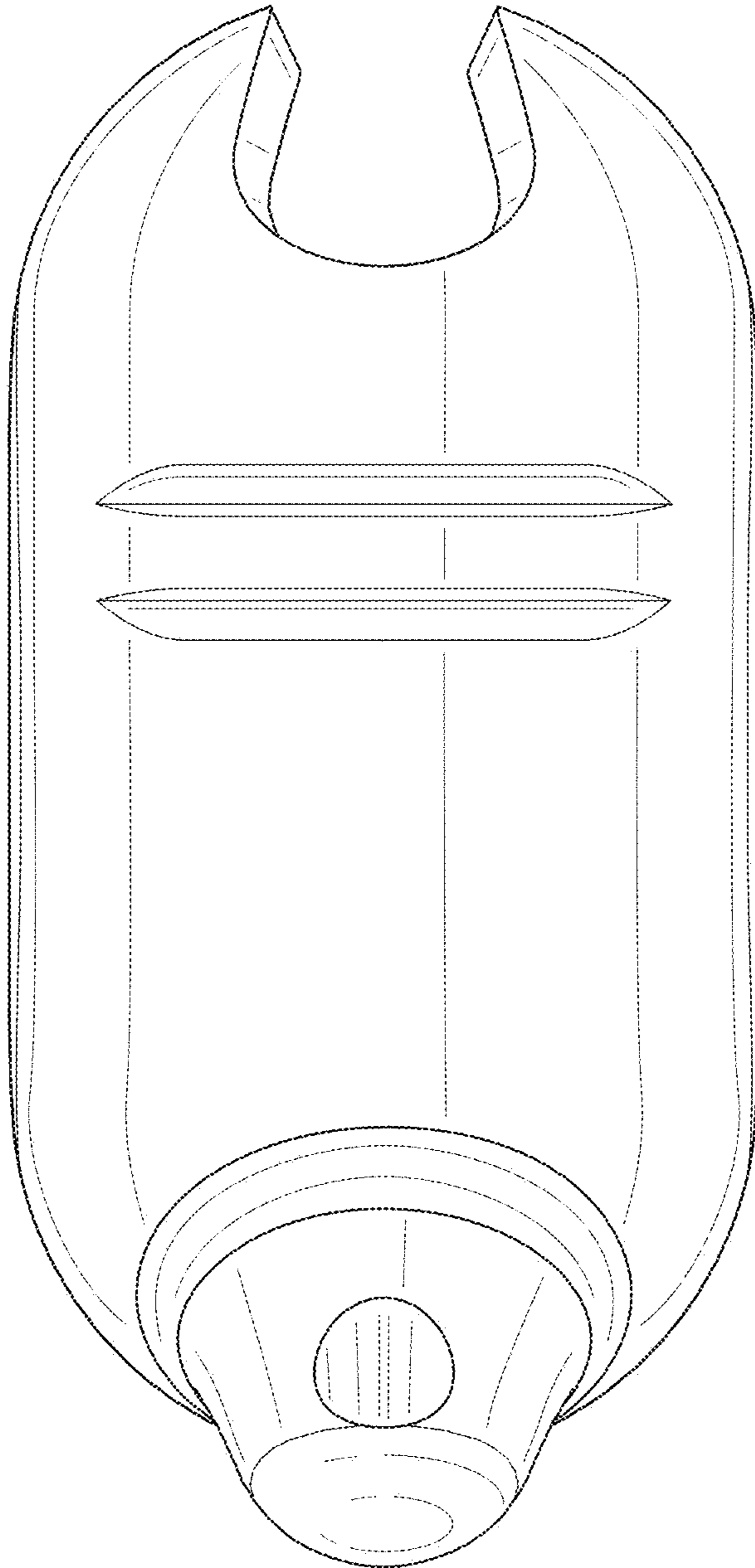


FIG. 27

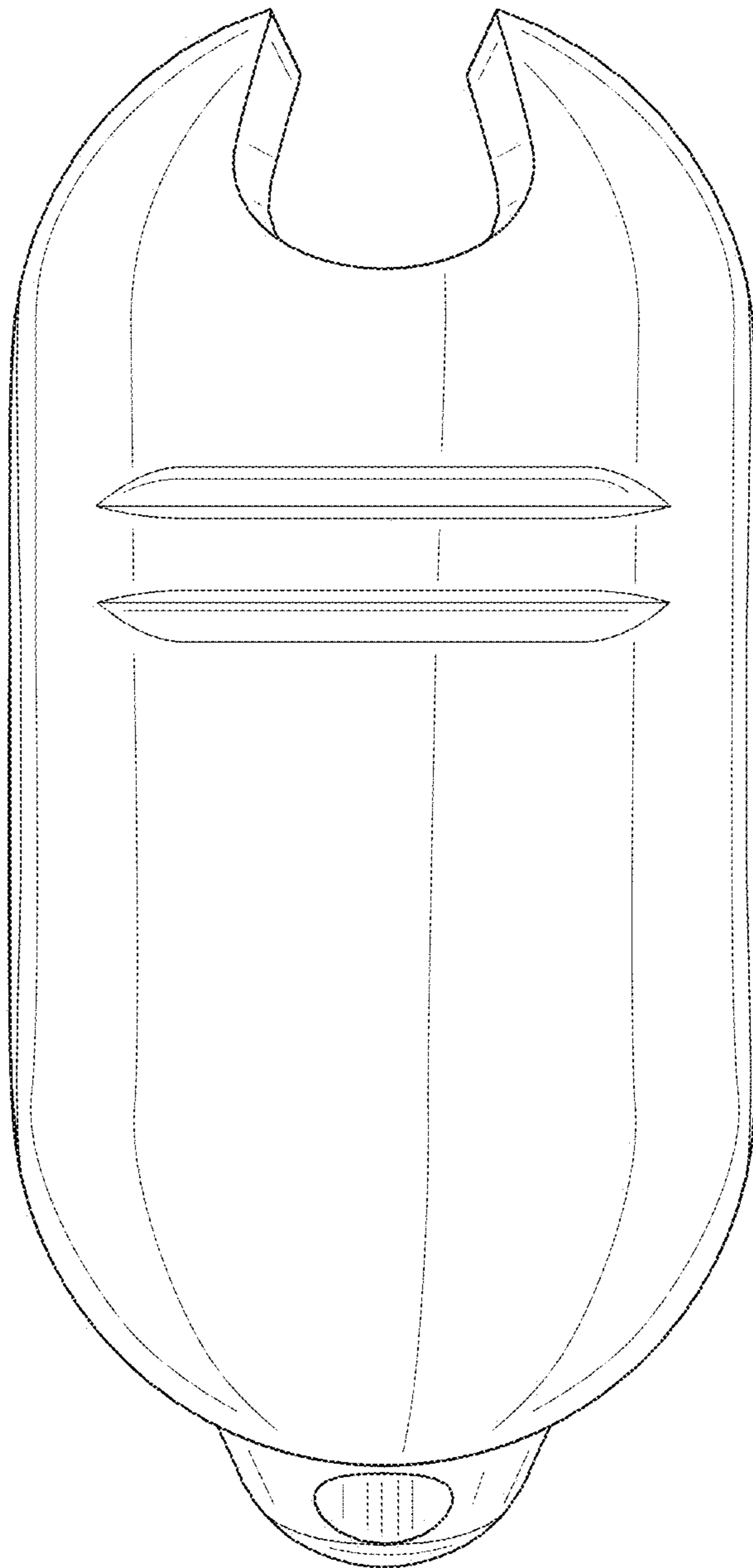


FIG. 28

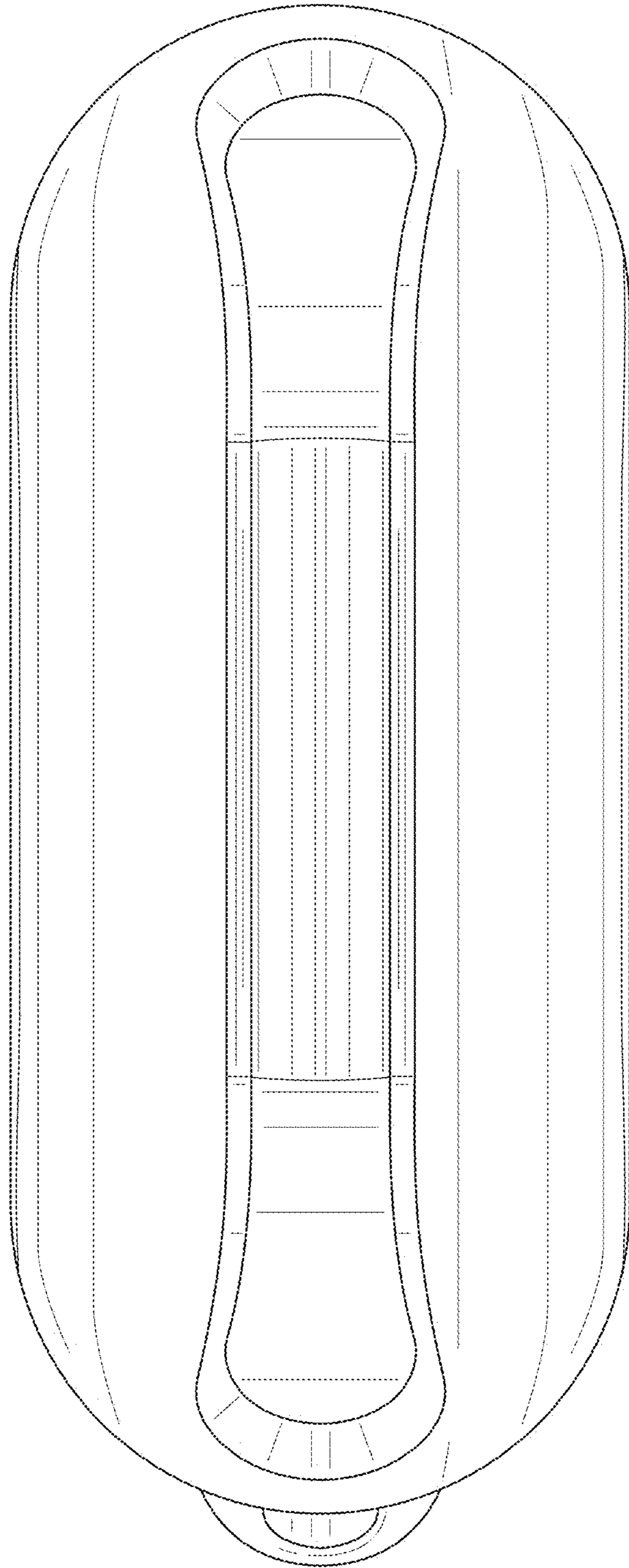


FIG. 29

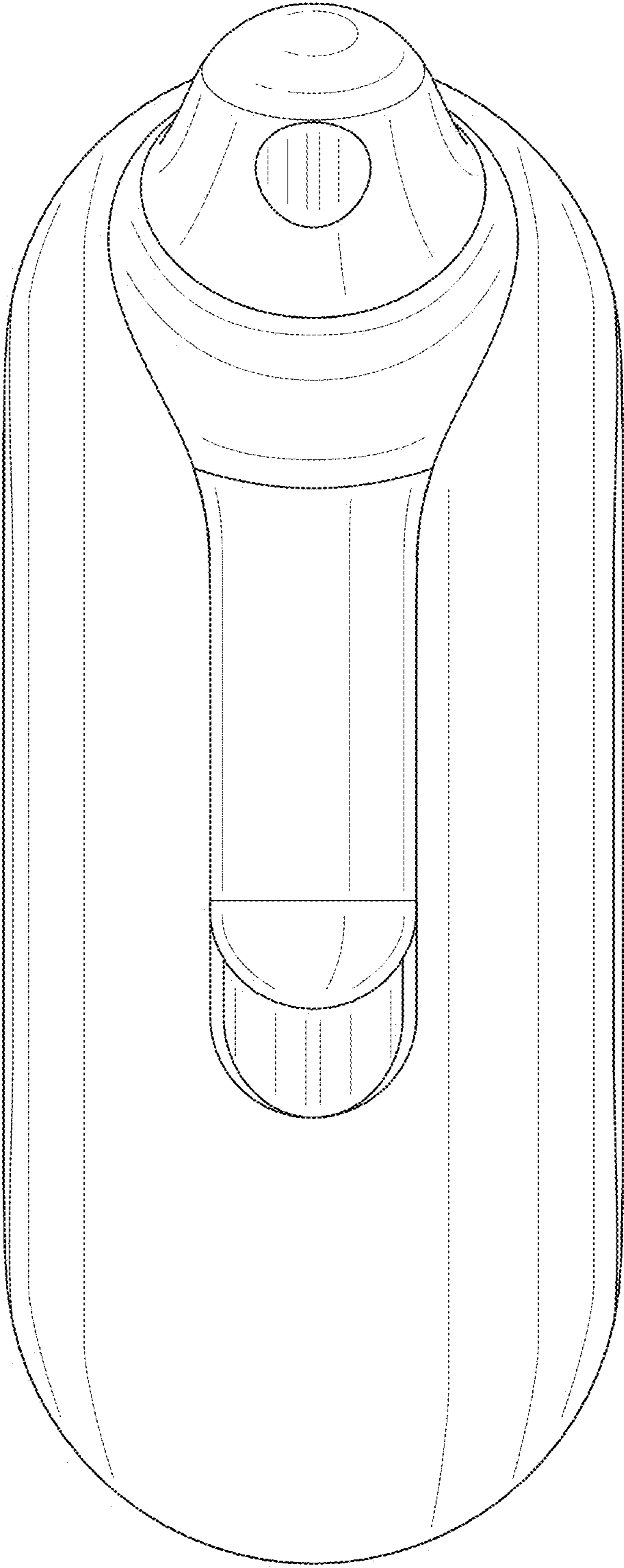


FIG. 30

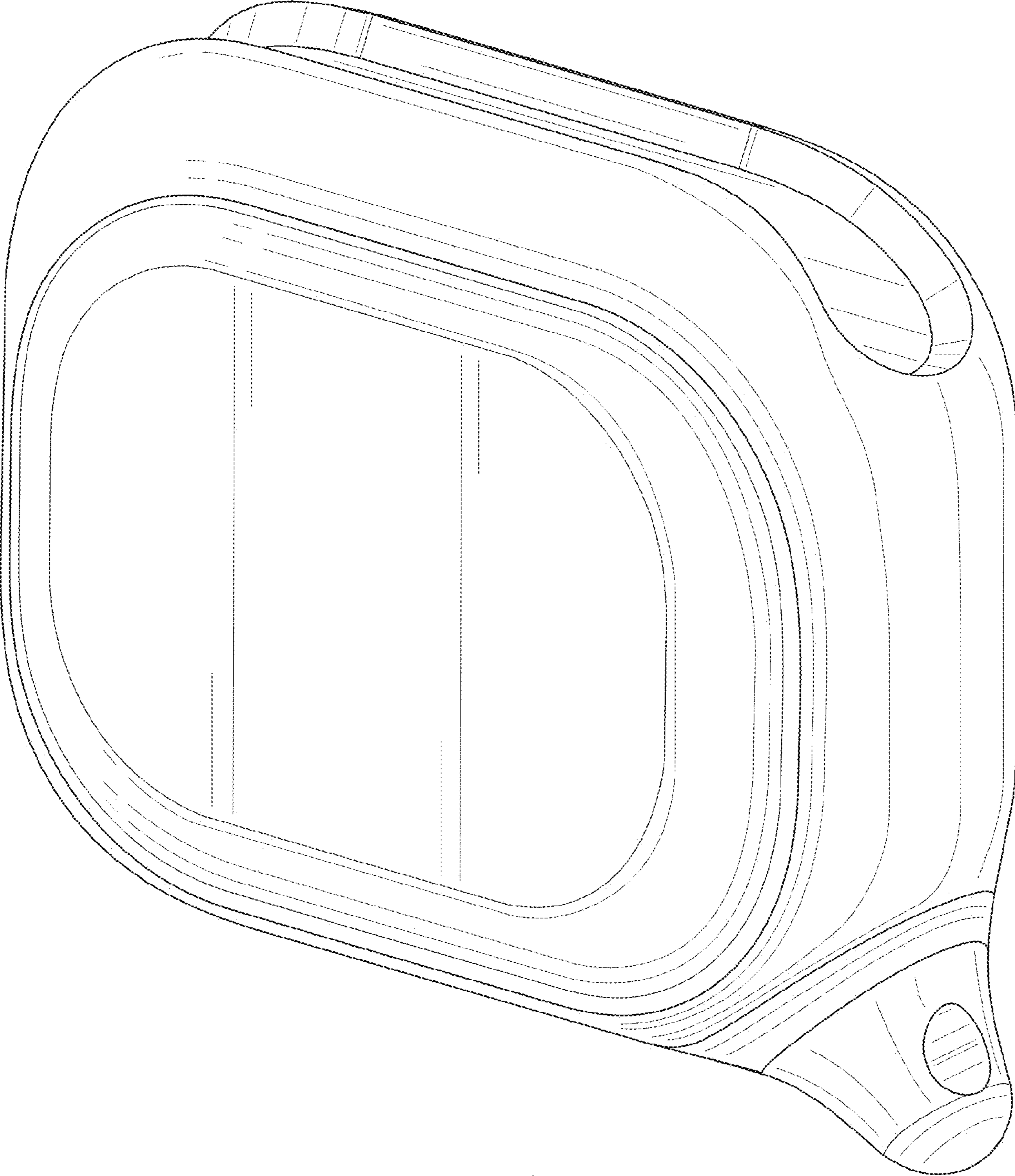


FIG. 31

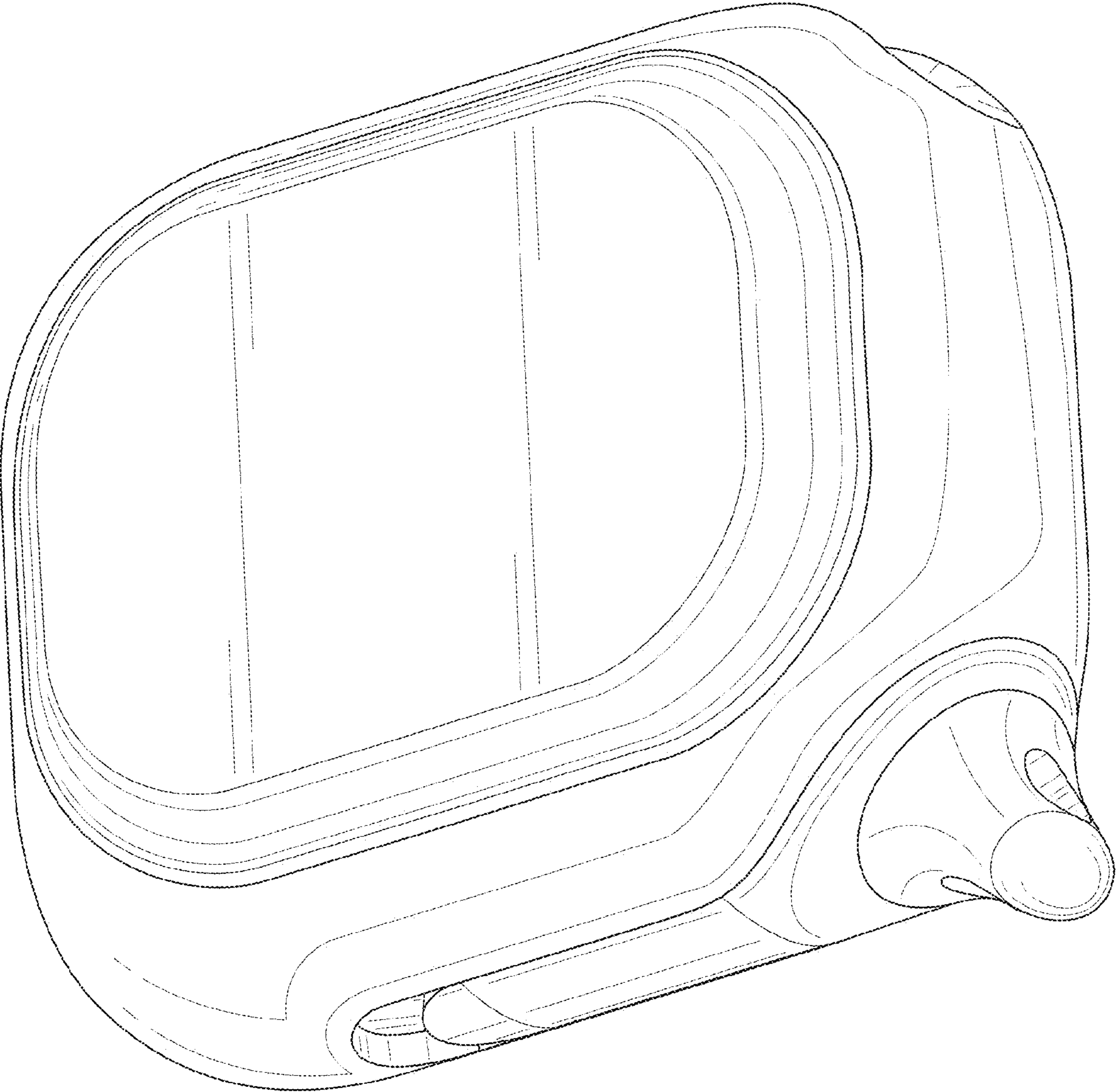


FIG. 32

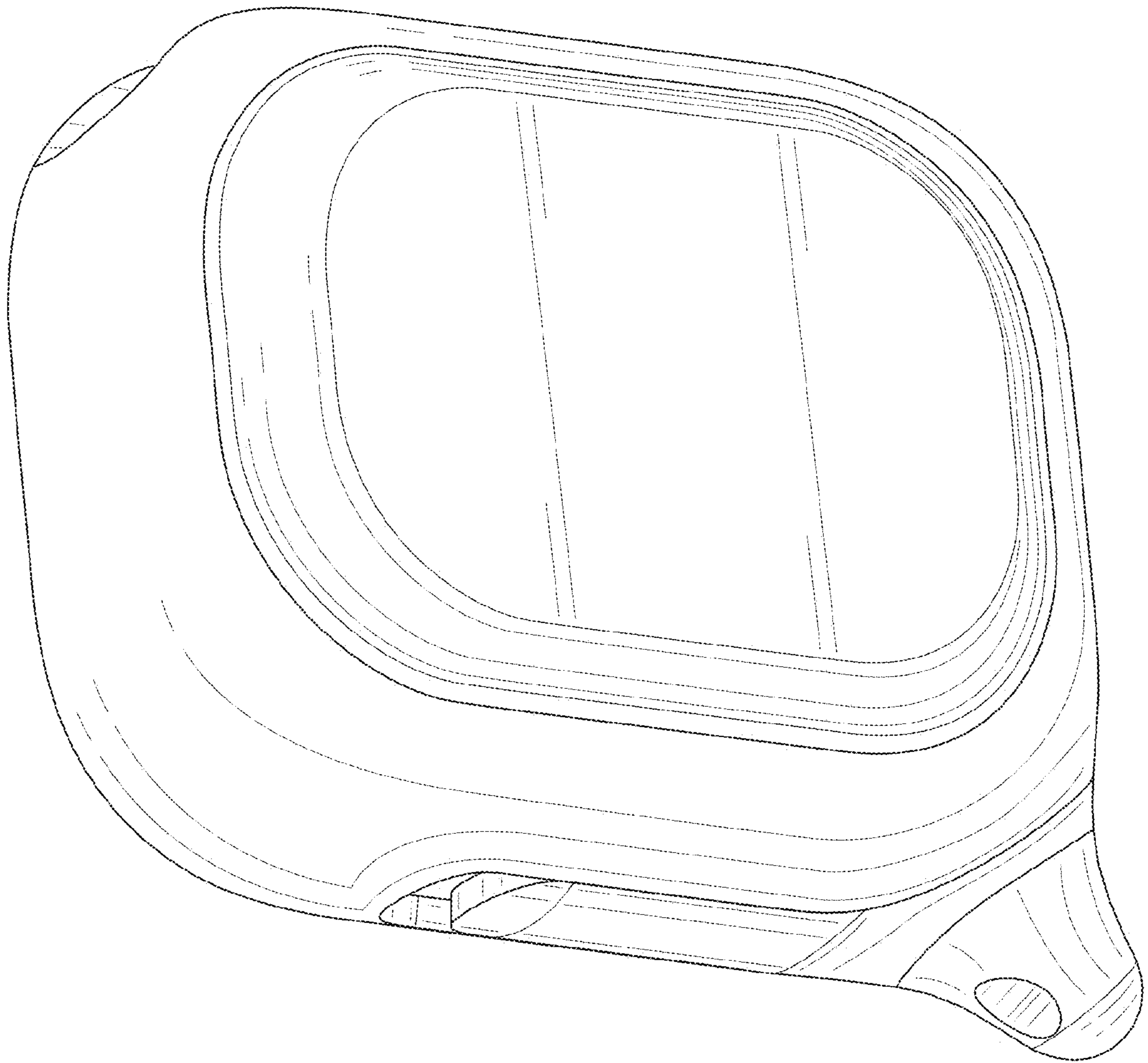


FIG. 33

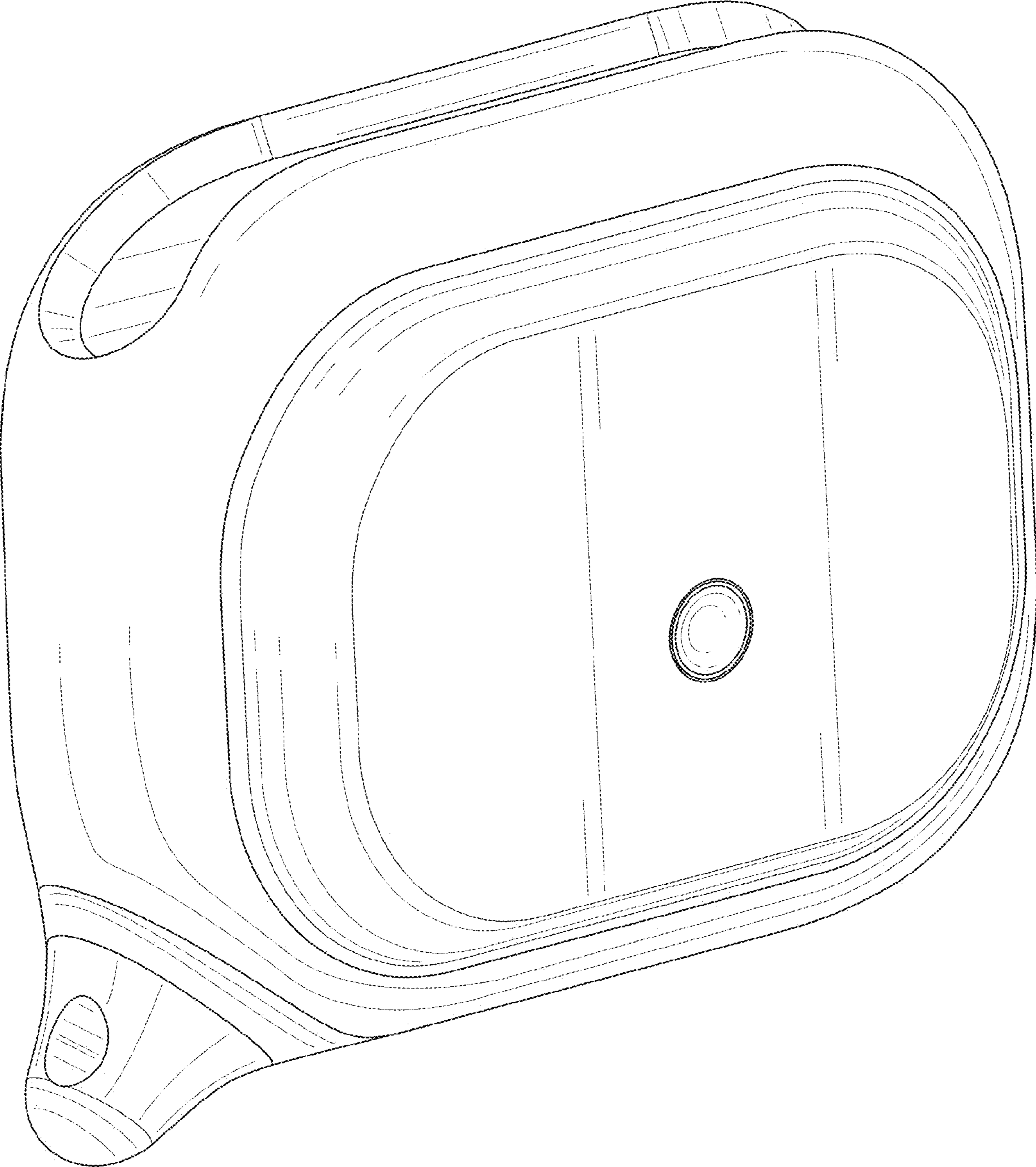


FIG. 34

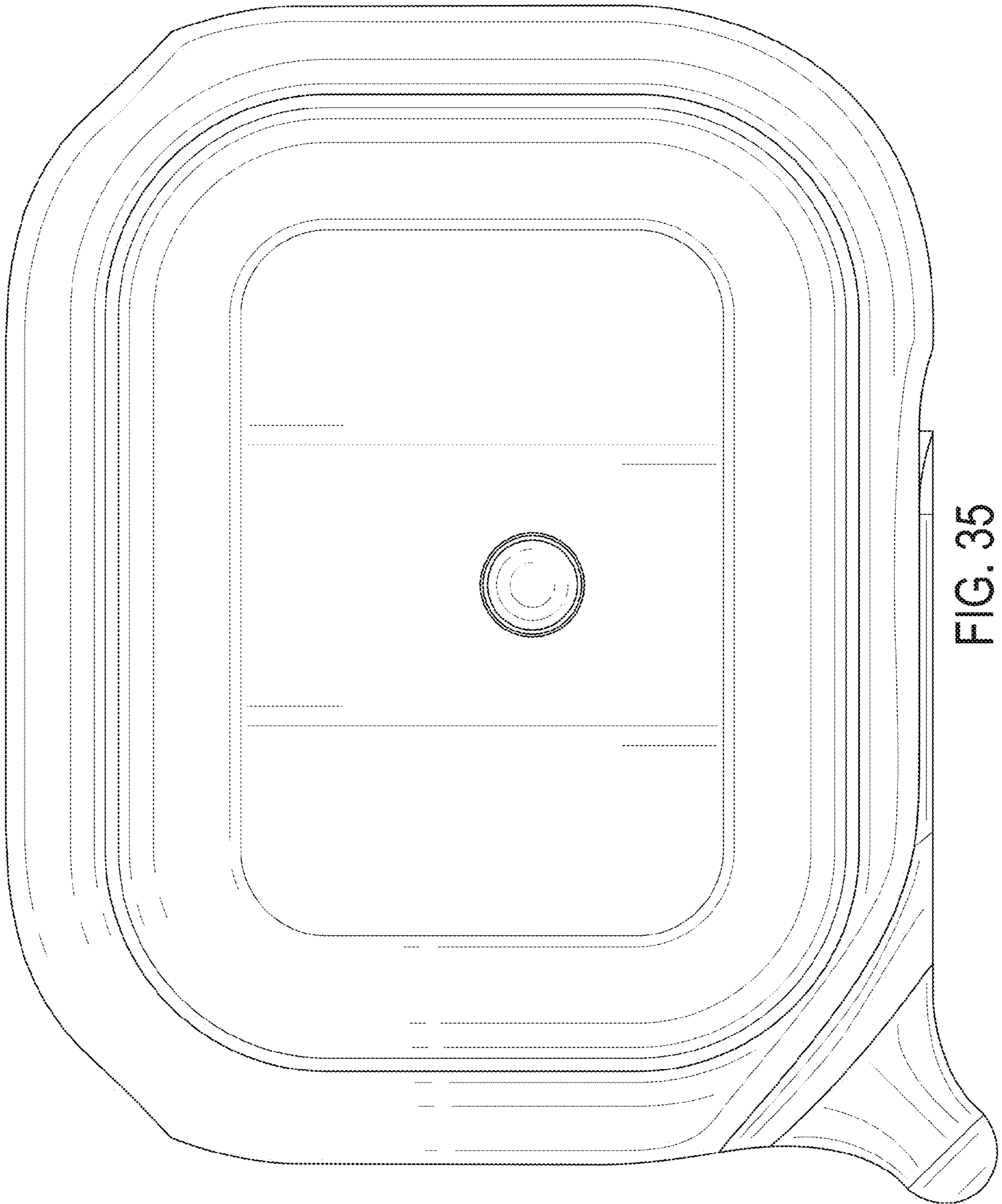


FIG. 35

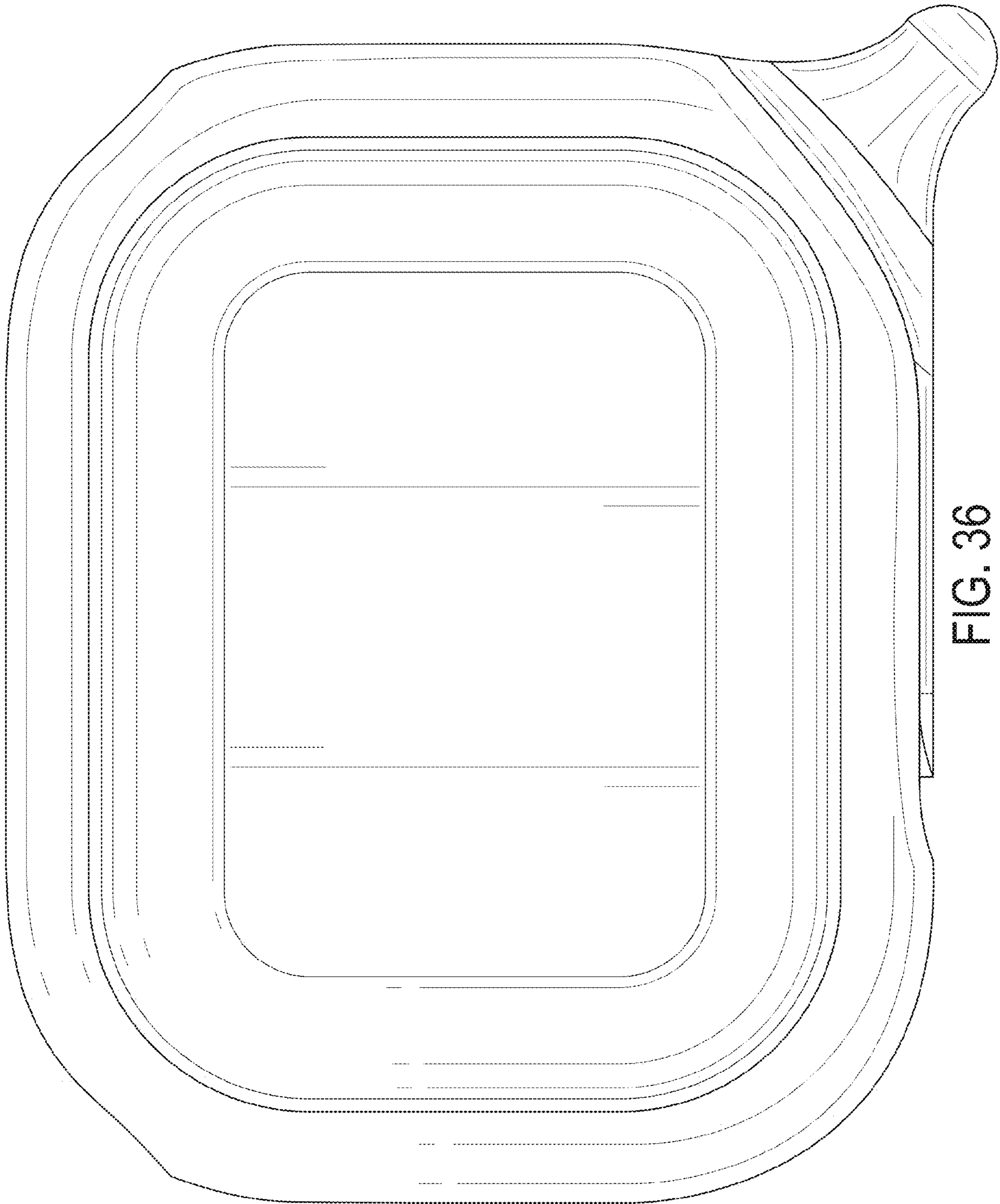


FIG. 36

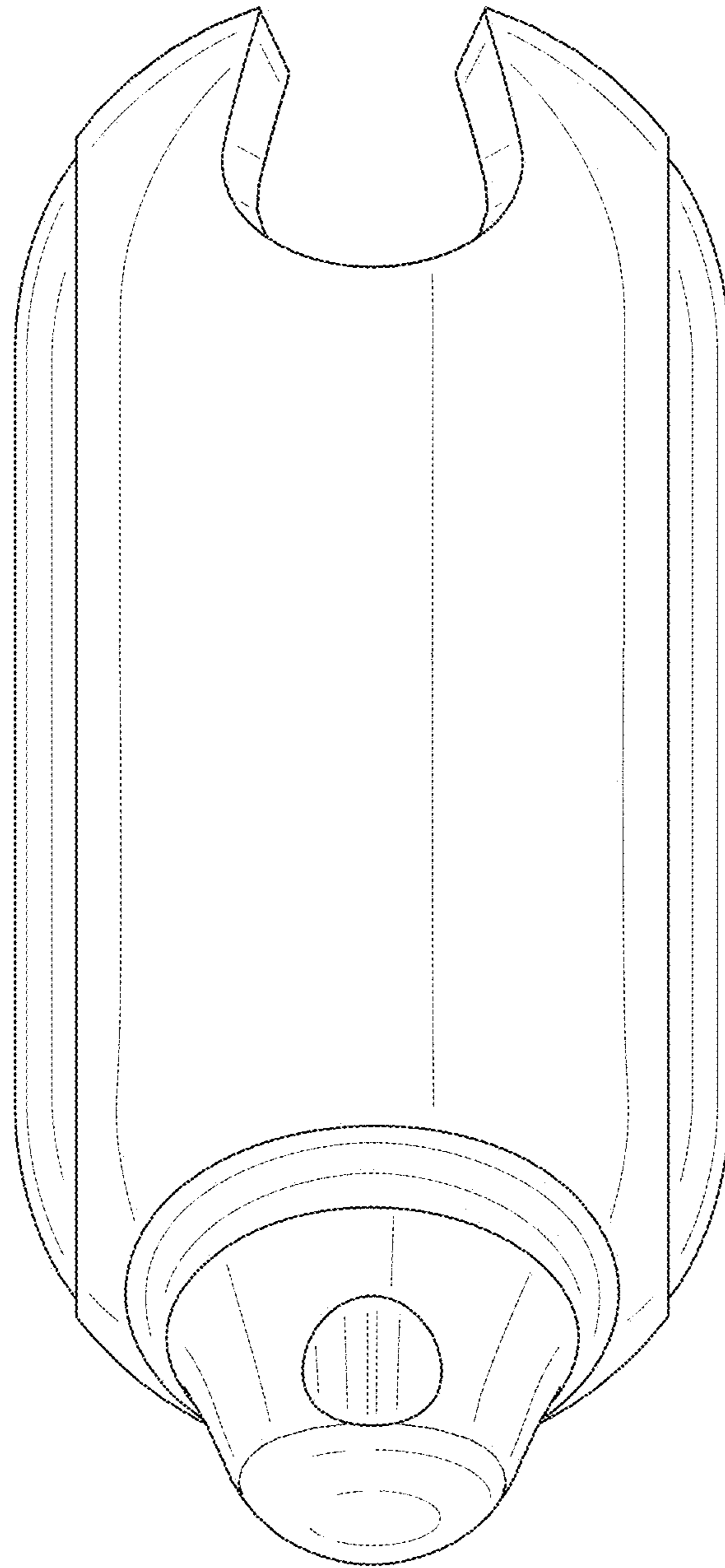


FIG. 37

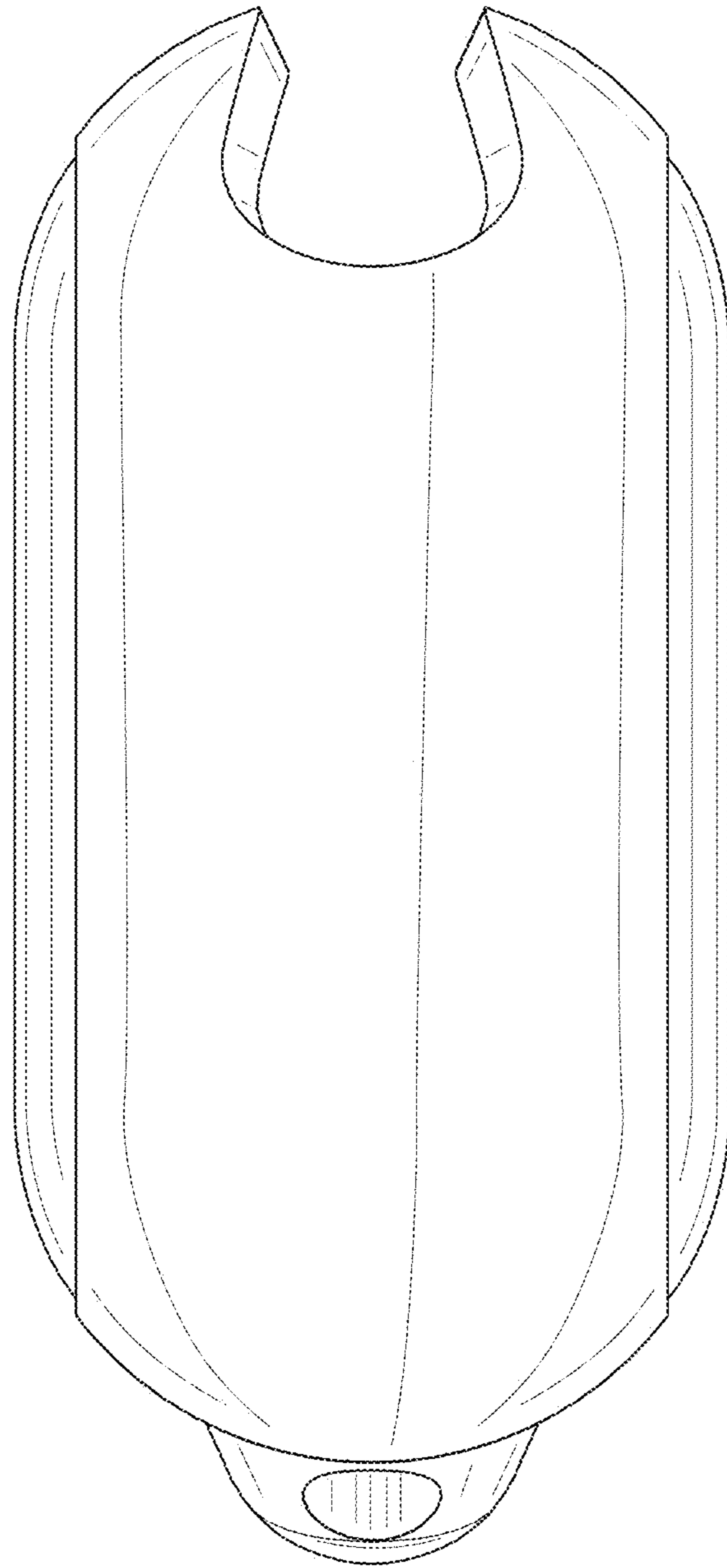


FIG. 38

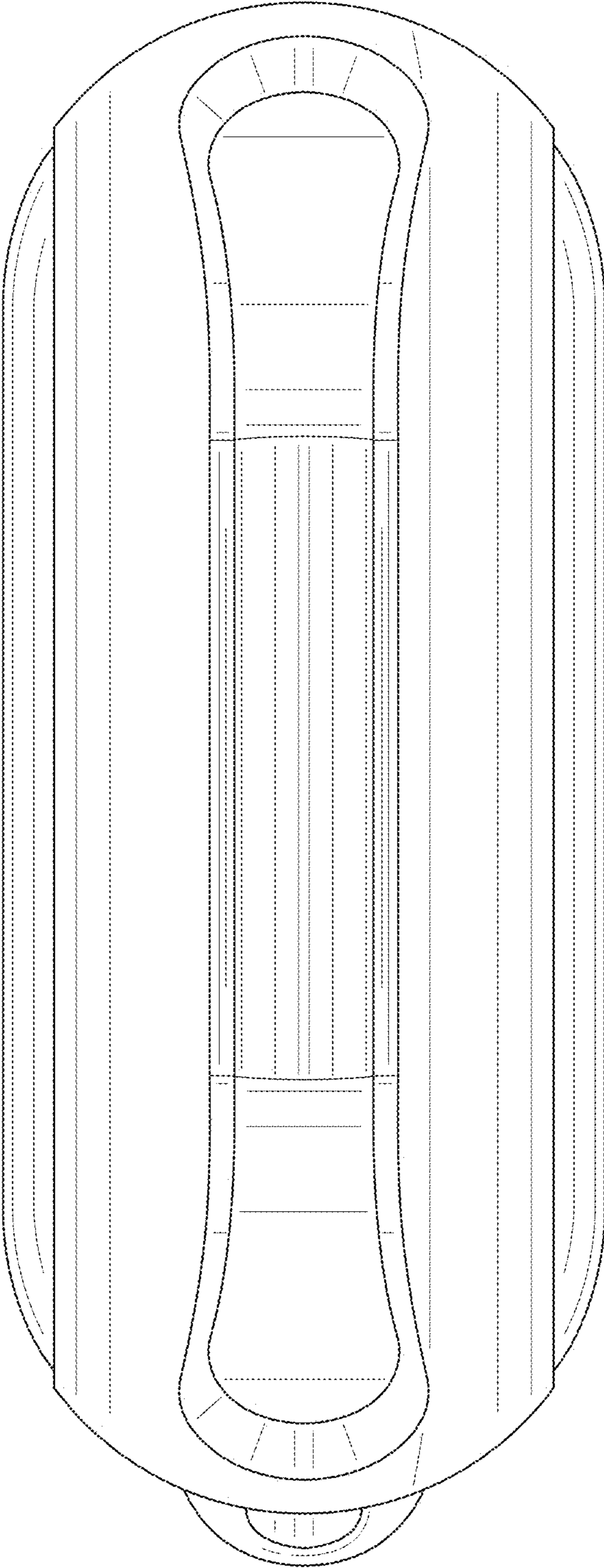


FIG. 39

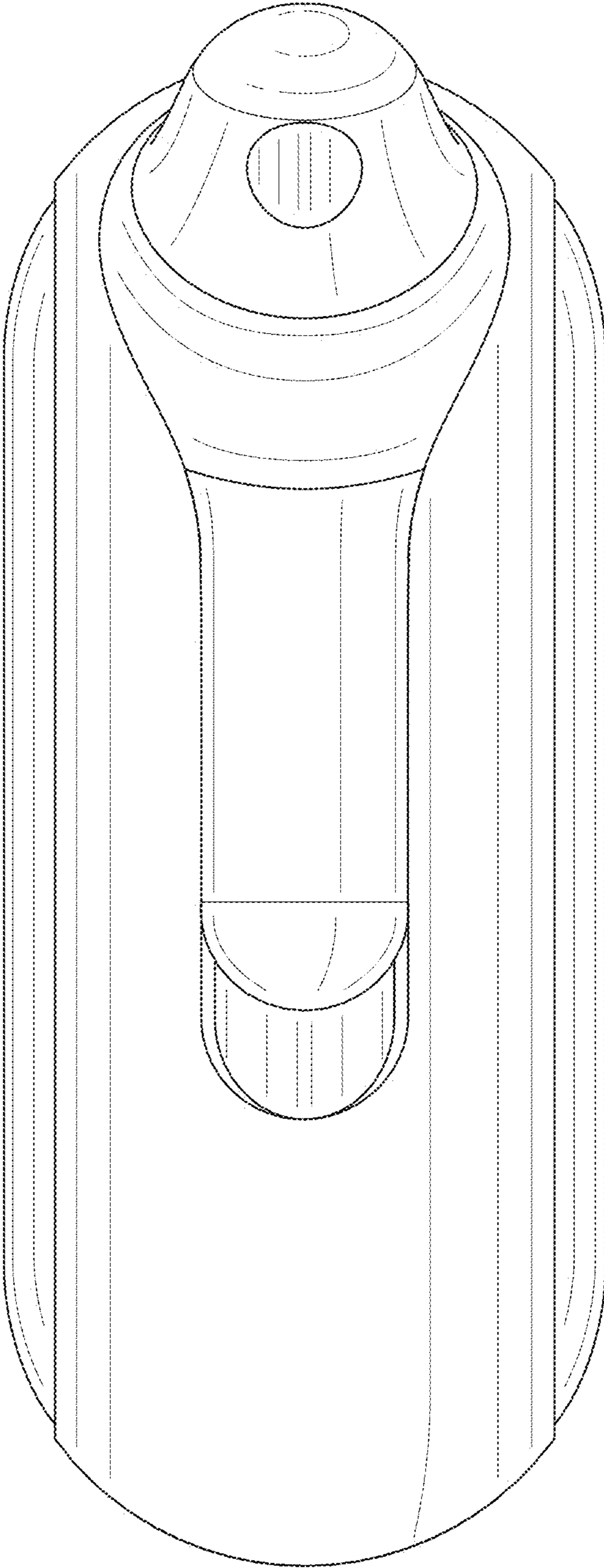


FIG. 40

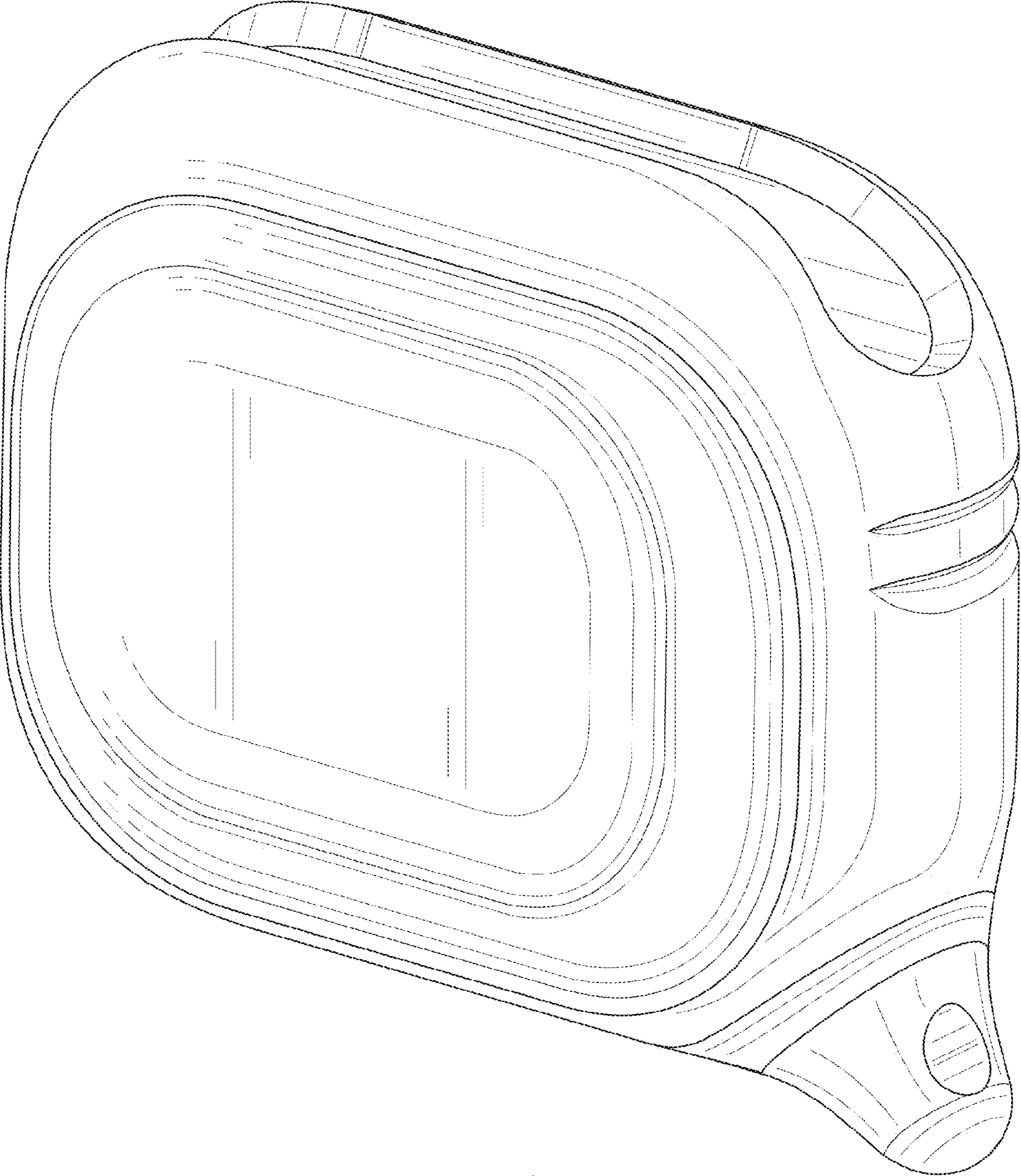


FIG. 41

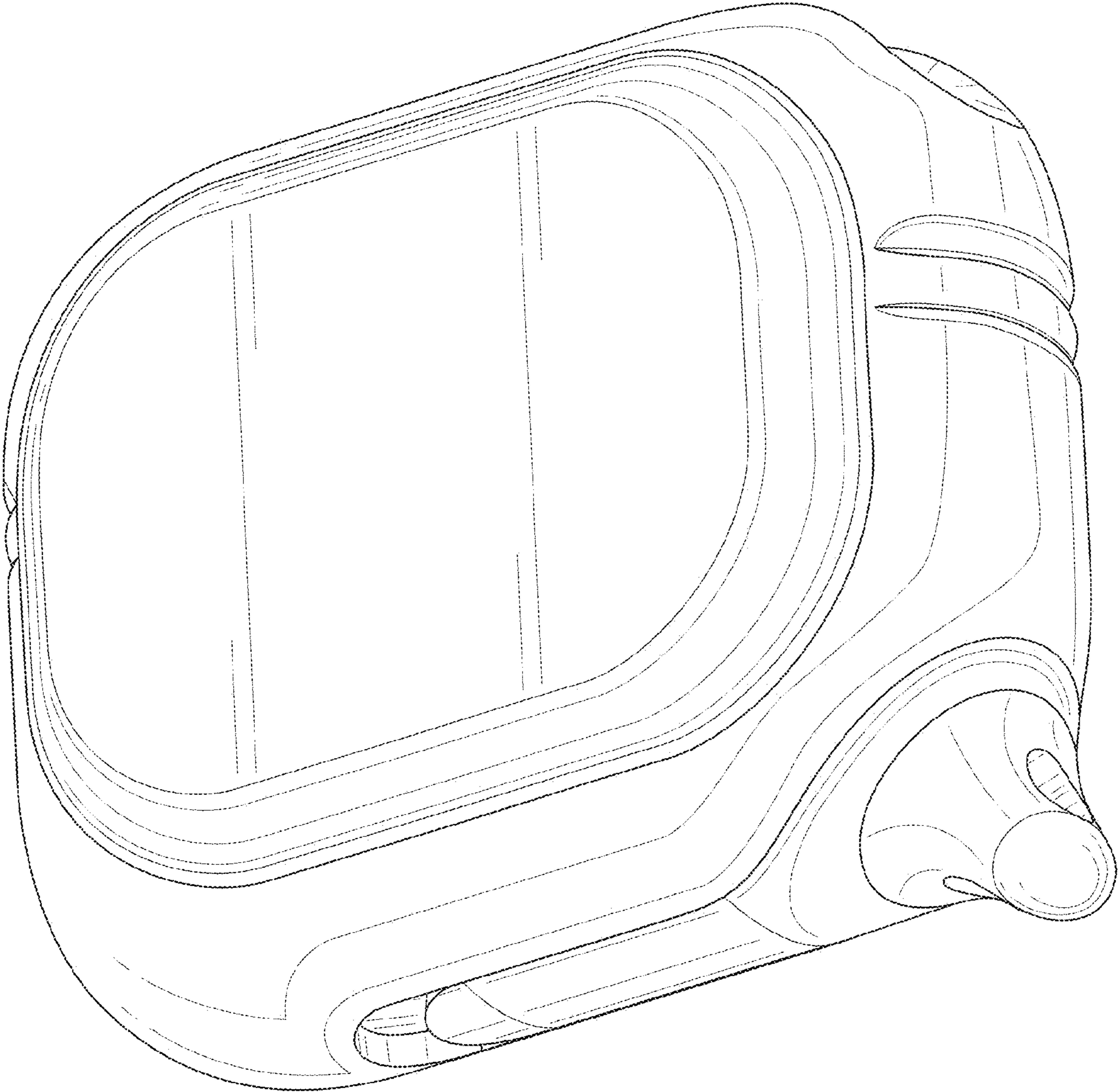


FIG. 42

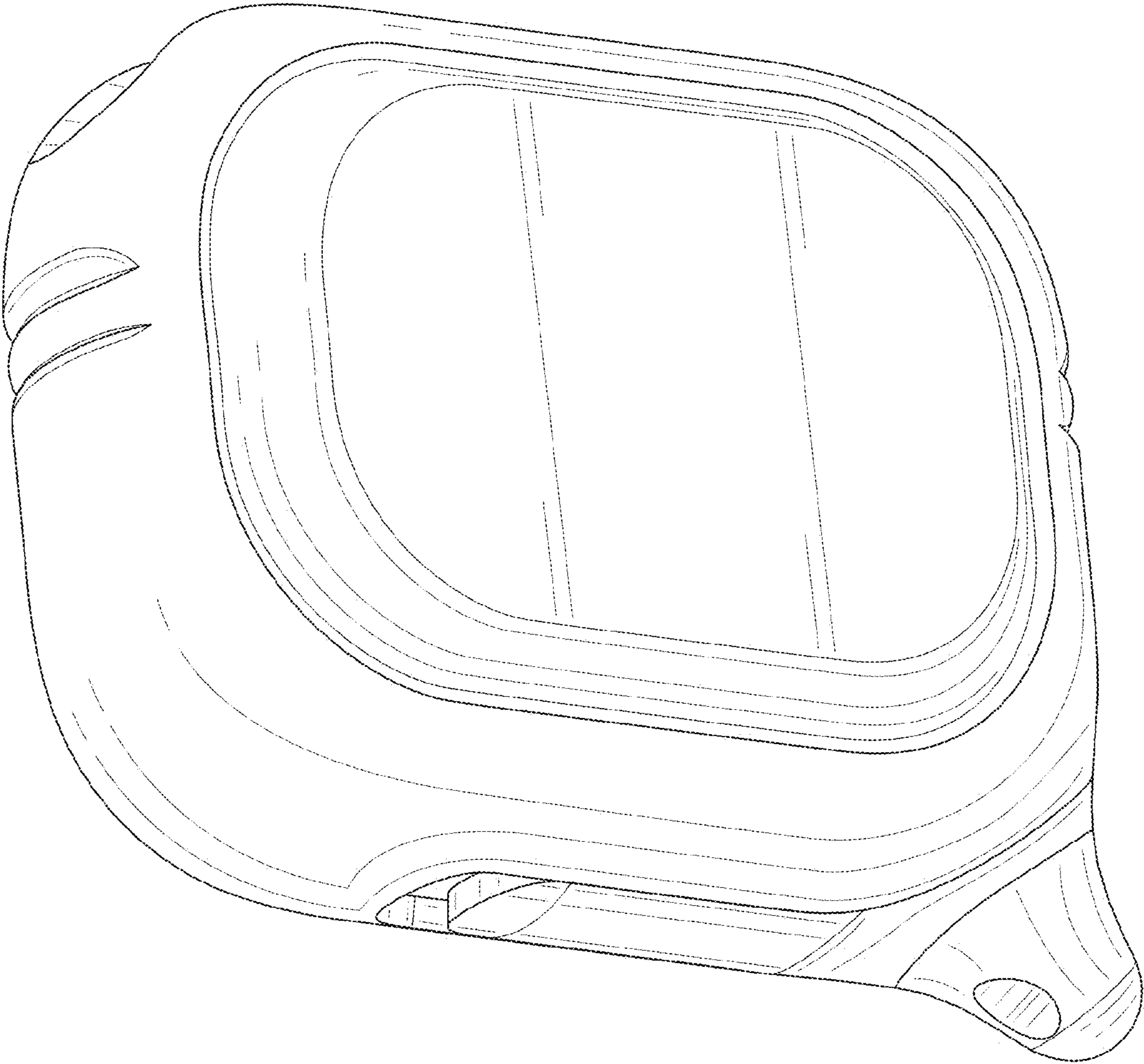


FIG. 43

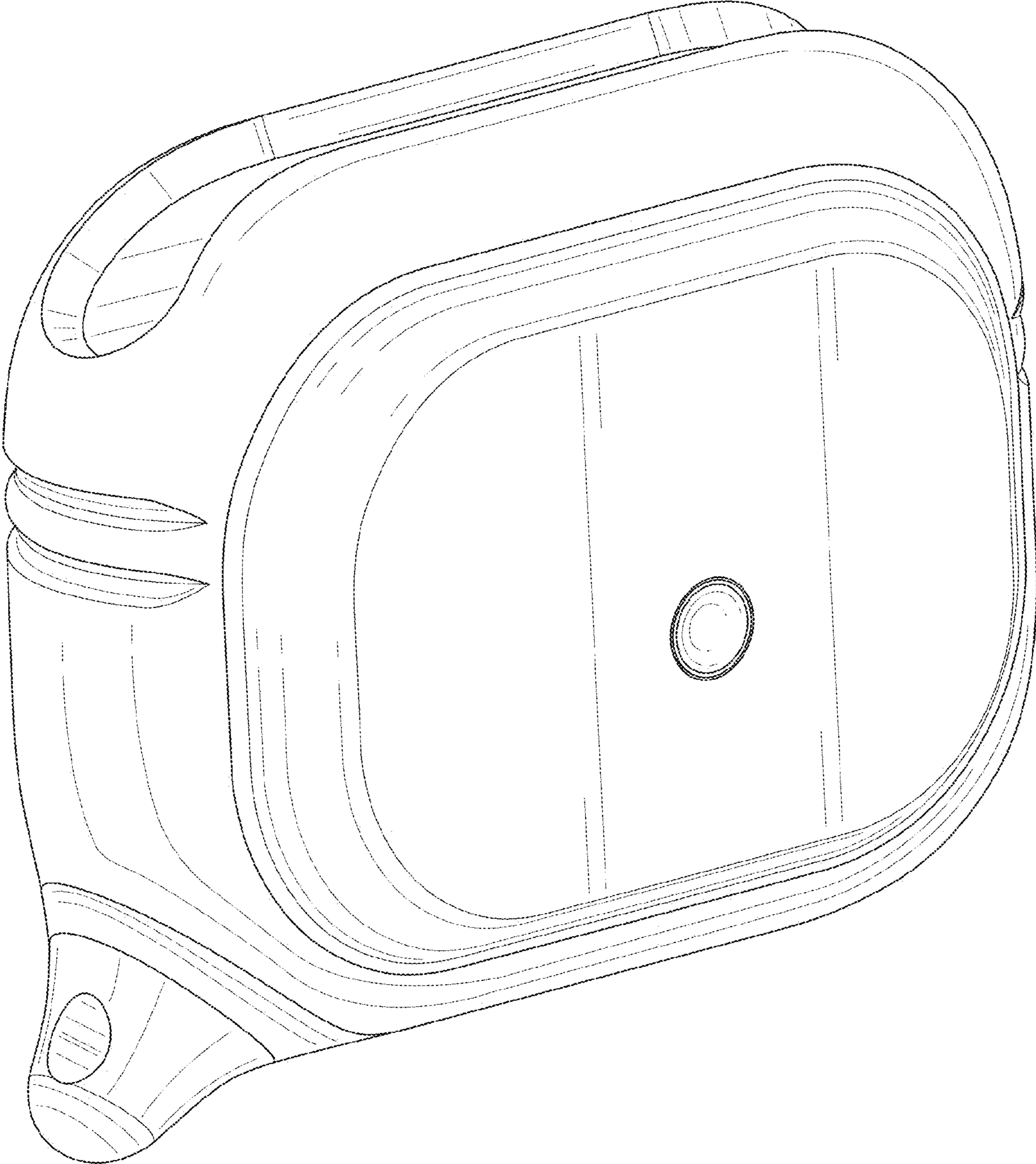


FIG. 44

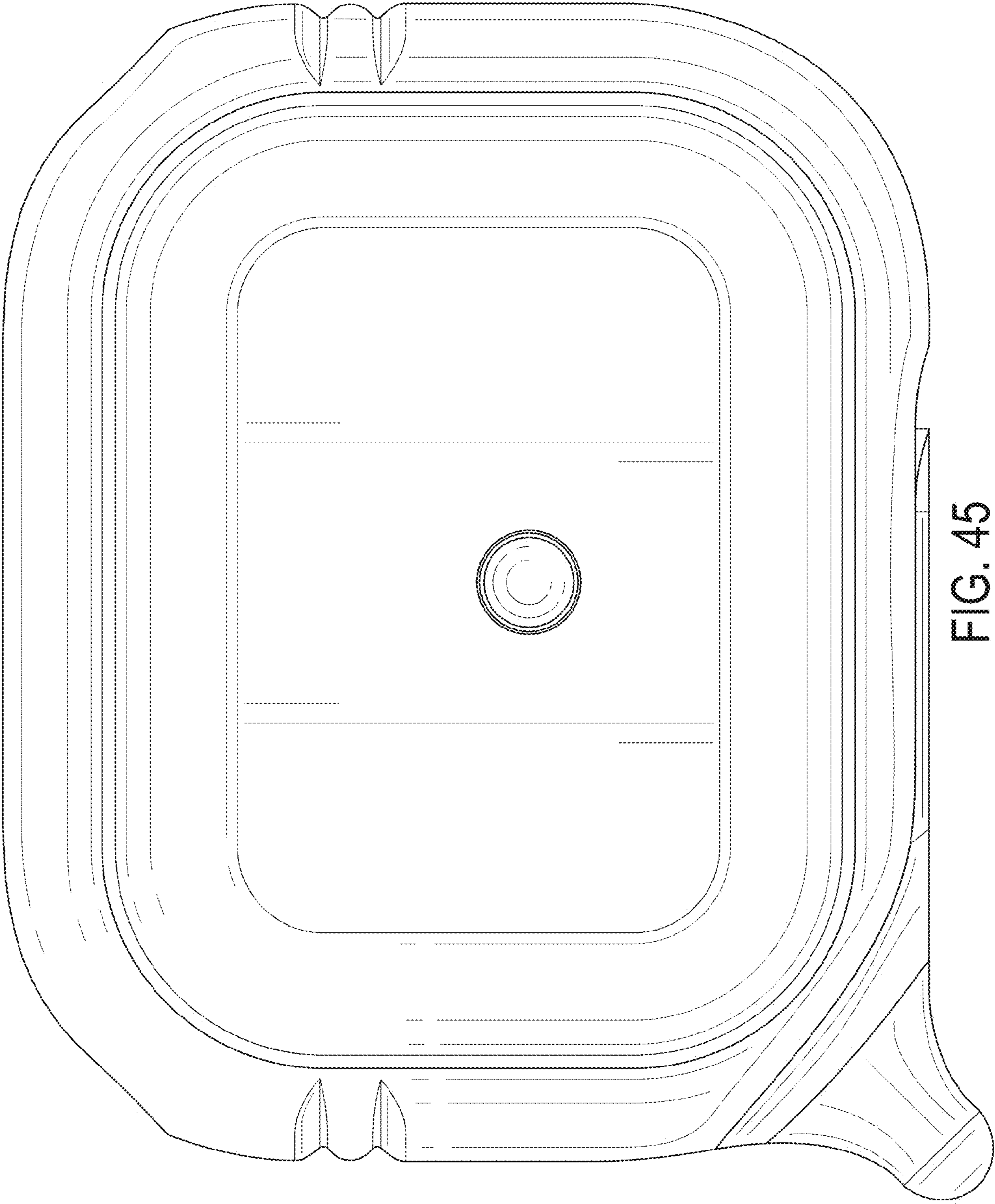


FIG. 45

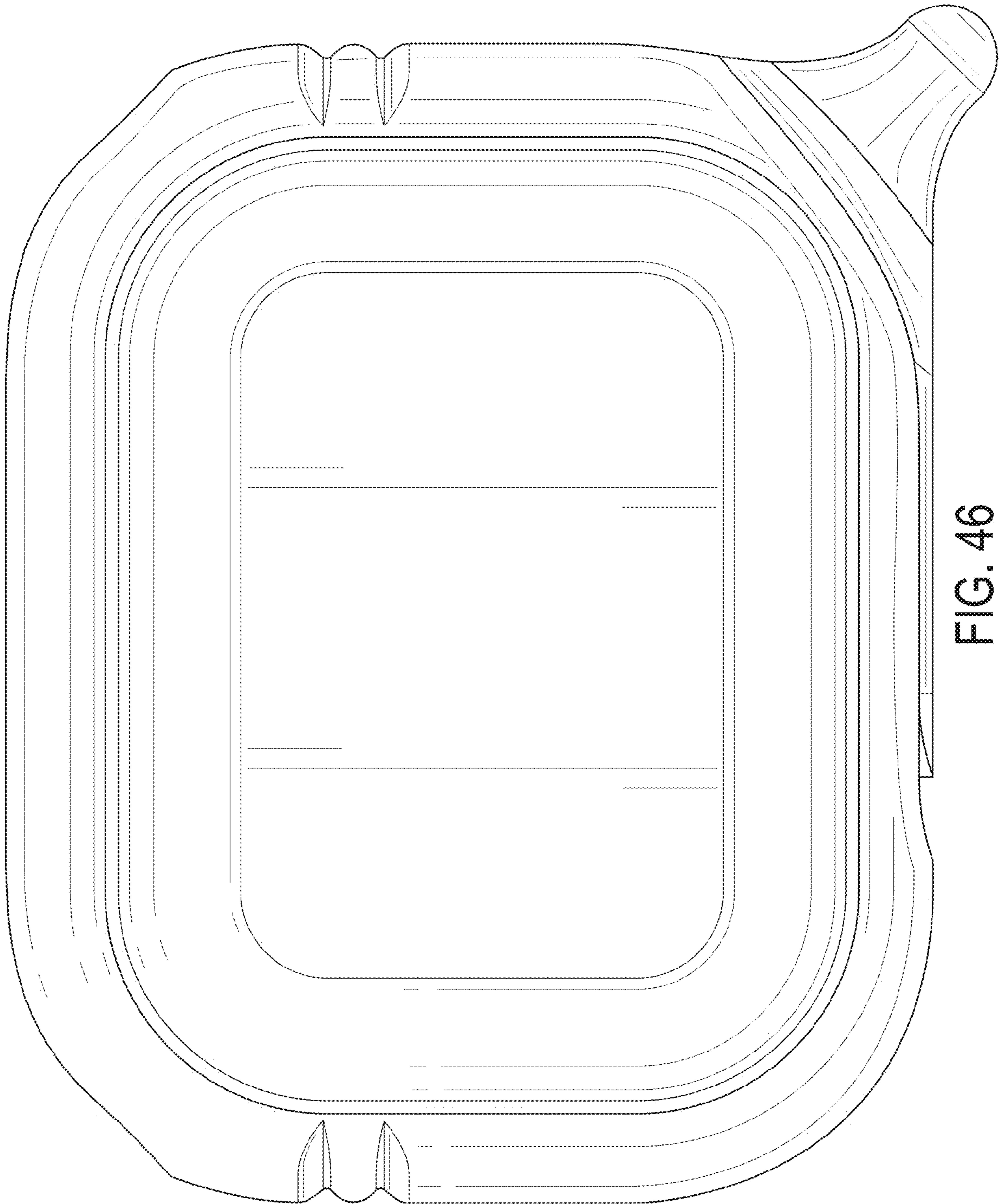


FIG. 46

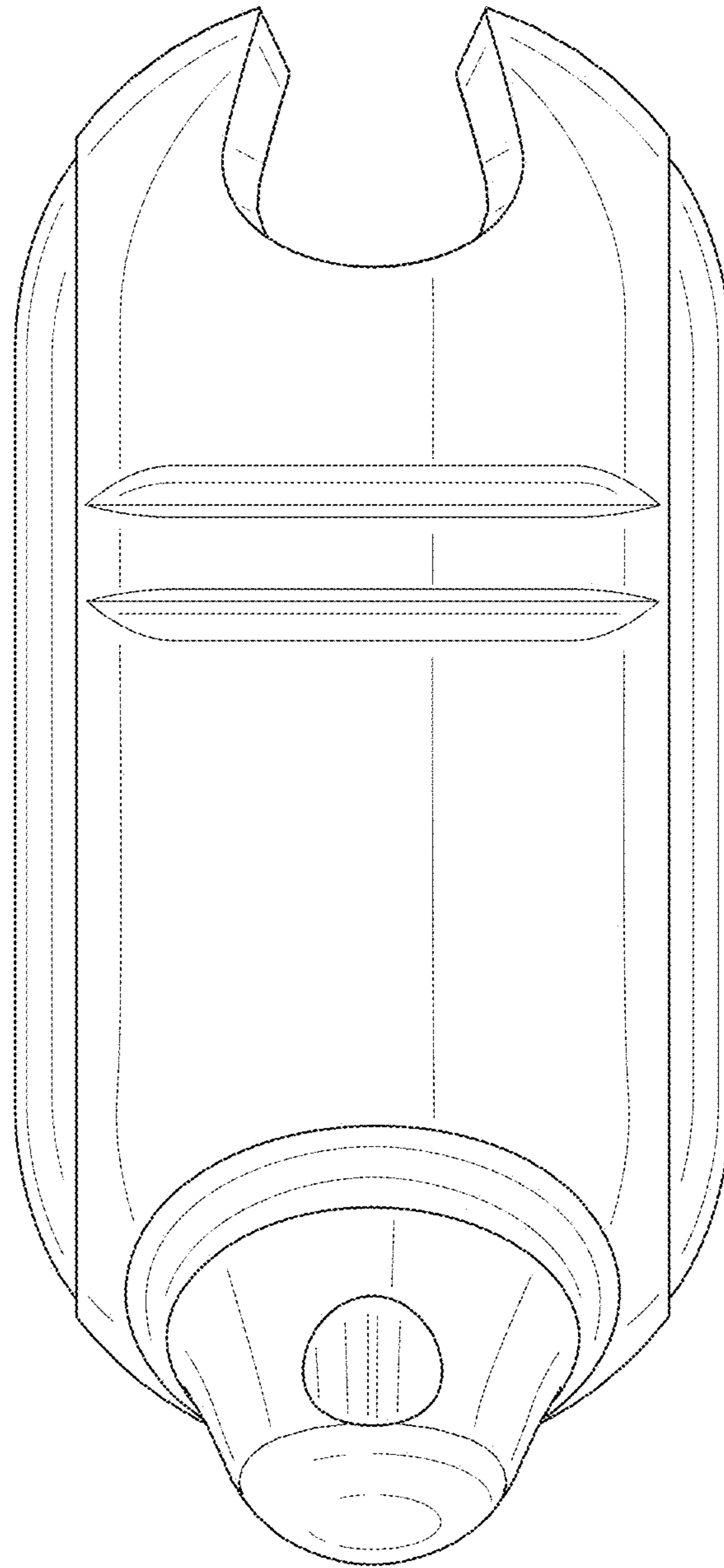


FIG. 47

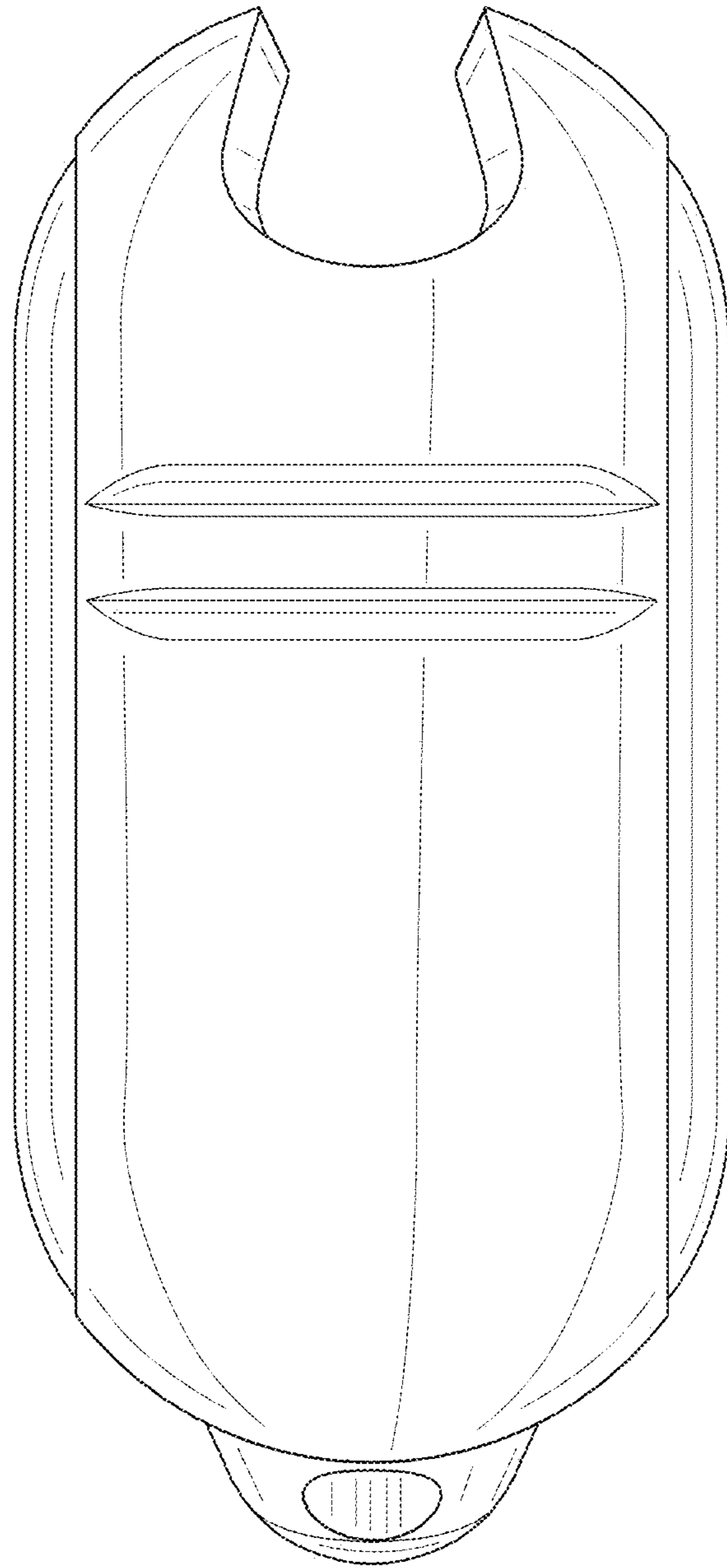


FIG. 48

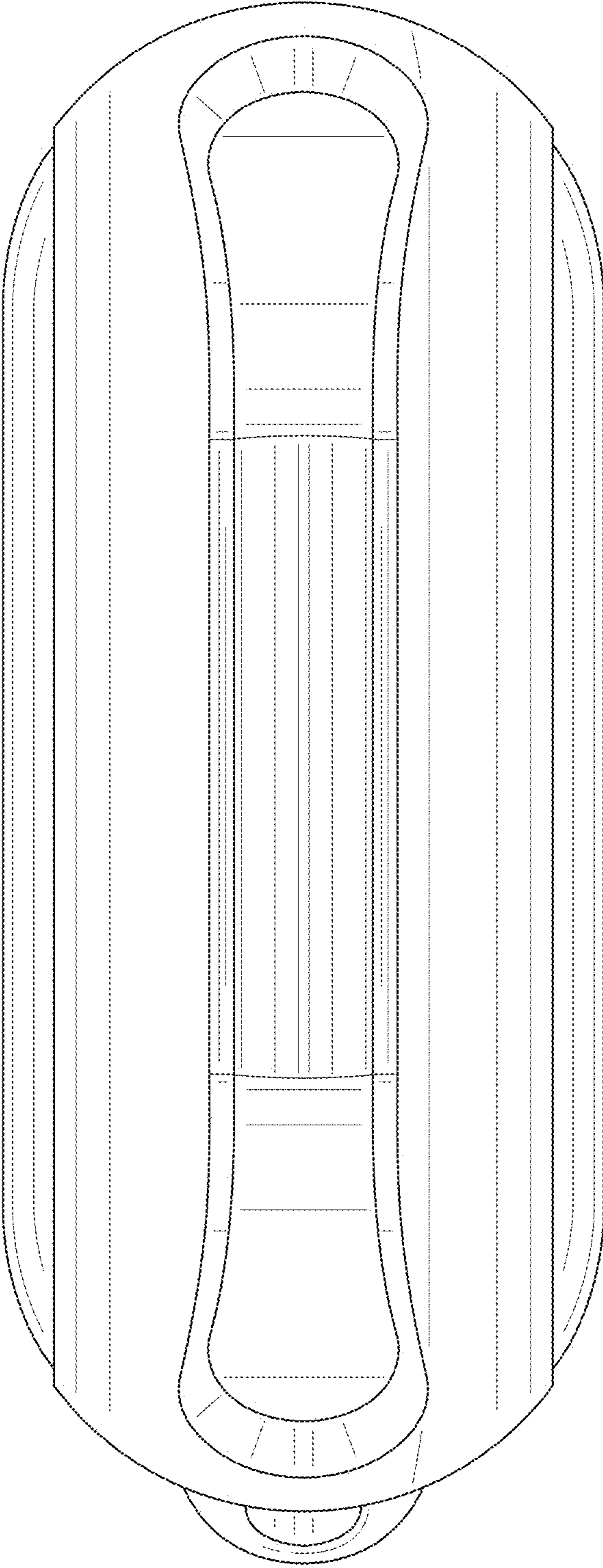


FIG. 49

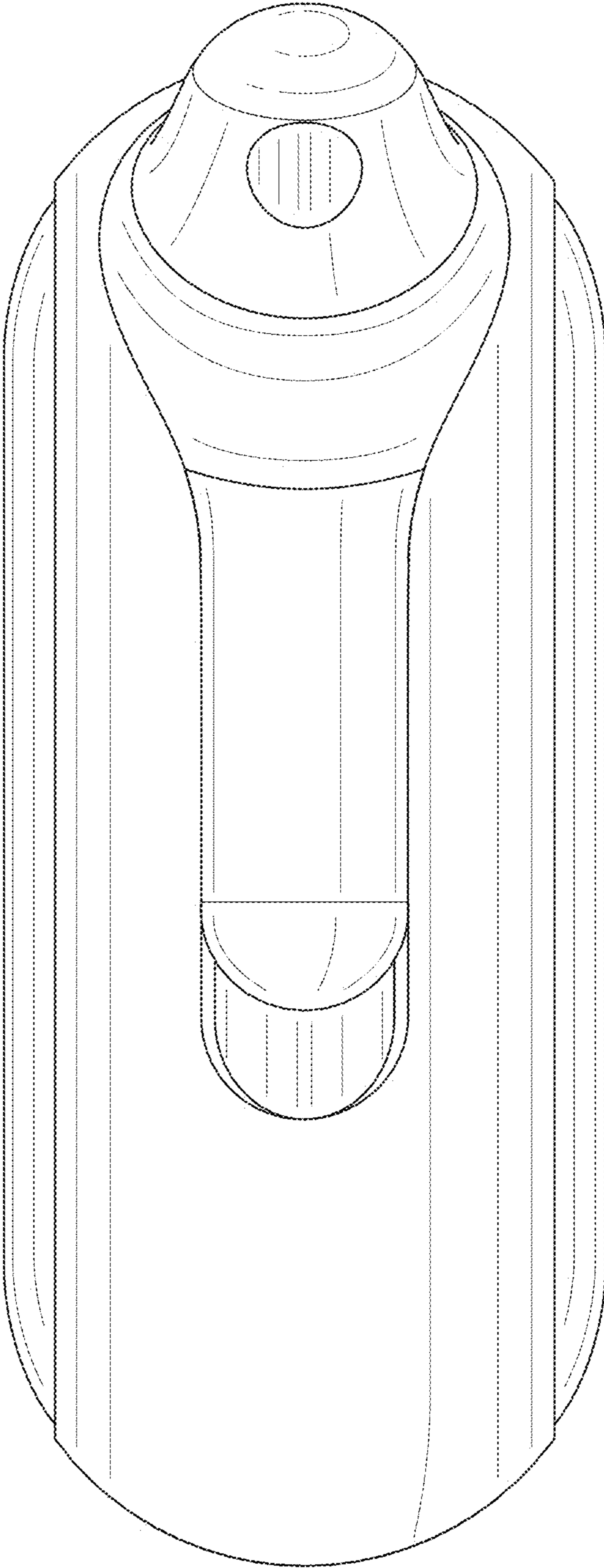


FIG. 50