



US00D934867S

(12) **United States Design Patent**
Wu

(10) **Patent No.:** **US D934,867 S**

(45) **Date of Patent:** **** Nov. 2, 2021**

(54) **USB C HUB**

(71) Applicant: **Shi hong Wu**, Guangxi (CN)

(72) Inventor: **Shi hong Wu**, Guangxi (CN)

(73) Assignee: **Dongguan Kingtron Electronics Technology Co., Ltd**, Dongguan (CN)

(**) Term: **15 Years**

(21) Appl. No.: **29/735,104**

(22) Filed: **May 18, 2020**

(51) **LOC (13) Cl.** **14-02**

(52) **U.S. Cl.**
USPC **D14/433**

(58) **Field of Classification Search**
USPC D14/240, 242, 356, 358, 363, 365, 367,
D14/370, 432-437, 439, 498, 125, 366,
D14/168, 496; D13/147, 164, 123, 133,
D13/146, 110, 199, 103, 162, 159, 160,
D13/184; 361/683, 684, 686, 724, 735,
361/737, 752; D18/40
CPC H01R 25/006; H01R 27/02; H01R 31/005;
G06F 13/4022; G06F 13/382; G06F
1/1632; G06F 1/1684; G06F 1/20; G06F
1/1607
See application file for complete search history.

(56) **References Cited**

U.S. PATENT DOCUMENTS

D421,962 S 3/2000 Varga
D864,205 S * 10/2019 Wang D14/433

D866,557 S * 11/2019 Xiong D14/433
D876,439 S * 2/2020 Turksu D14/433
D881,192 S * 4/2020 Ma D14/433
D883,288 S * 5/2020 Zhan D14/433
D886,824 S * 6/2020 Zhan D14/433
D886,825 S * 6/2020 Zhang D14/433
D889,469 S * 7/2020 Zhang D14/433
D889,470 S * 7/2020 Zhang D14/433

* cited by examiner

Primary Examiner — Austin Murphy

(74) *Attorney, Agent, or Firm* — Justin Lampel

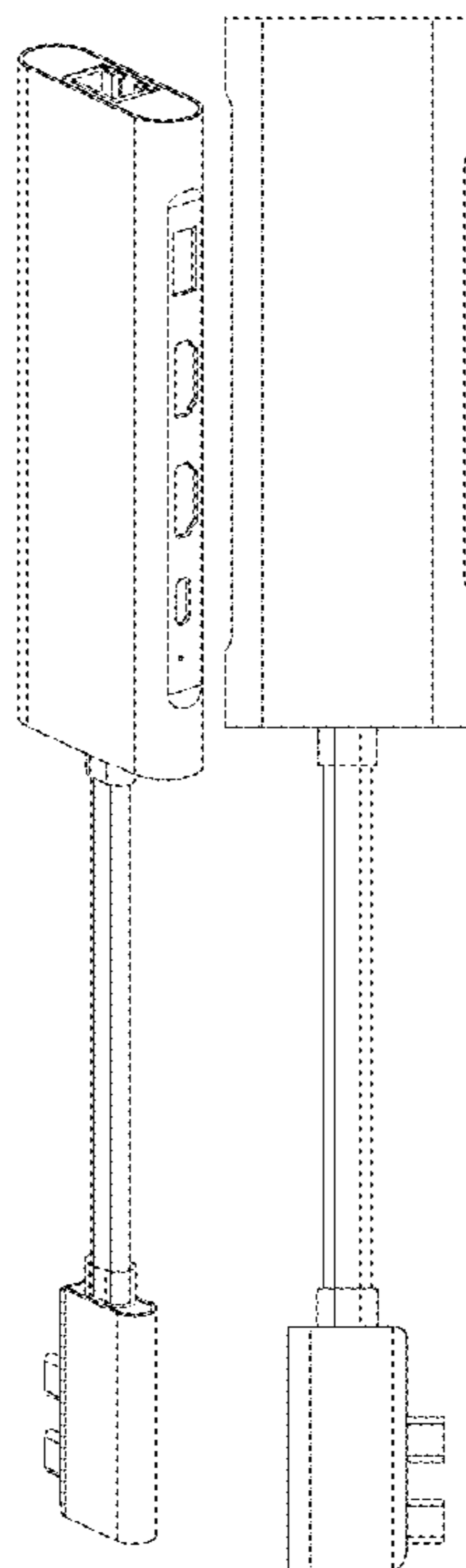
(57) **CLAIM**

The ornamental design for a USB C hub, as shown and described.

DESCRIPTION

FIG. 1 is a perspective view of a USB C hub, showing the claimed design;
FIG. 2 is a top plan view thereof;
FIG. 3 is a left side view thereof;
FIG. 4 is a front elevational view thereof;
FIG. 5 is a right side view thereof;
FIG. 6 is a rear elevational view thereof; and,
FIG. 7 is a bottom plan view thereof.

1 Claim, 7 Drawing Sheets



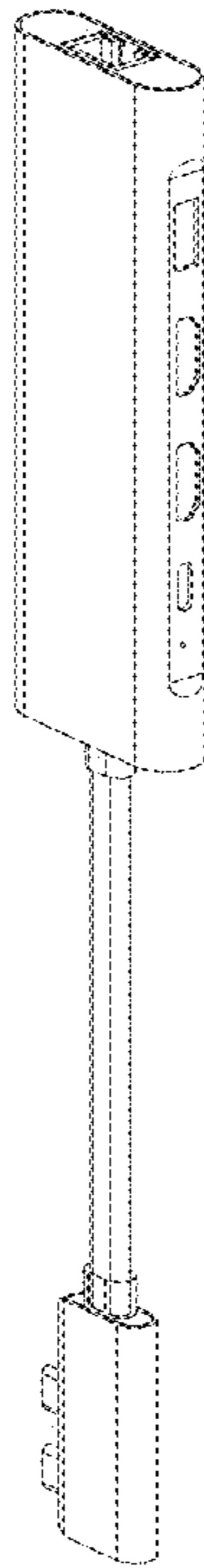


FIG. 1



FIG. 2

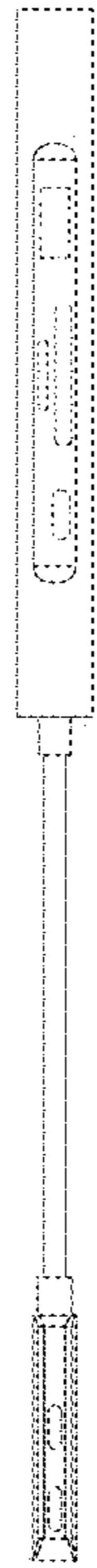


FIG. 3

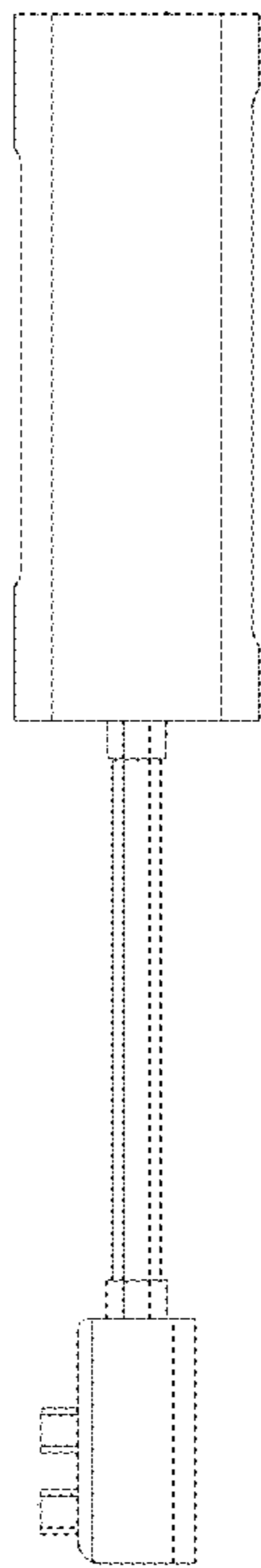


FIG. 4



FIG. 5

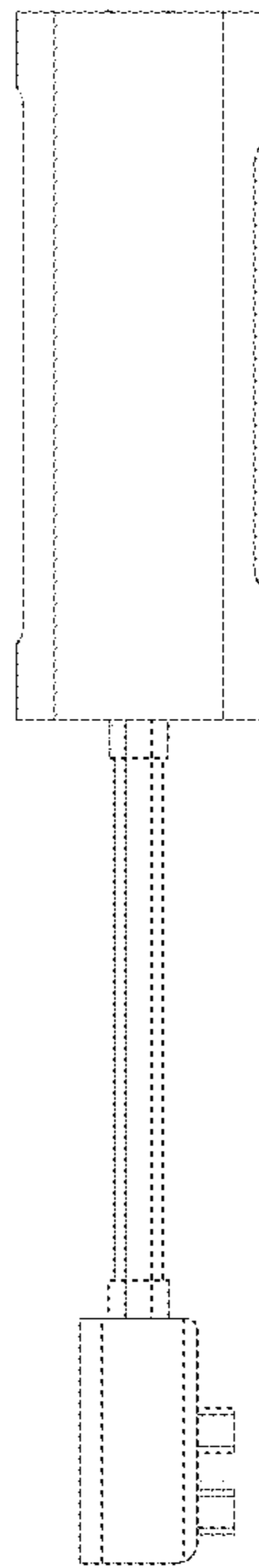


FIG. 6

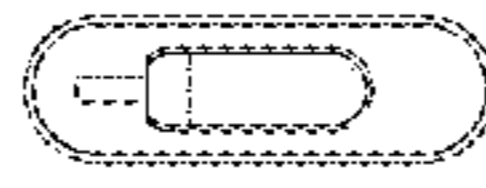


FIG. 7