



US00D934866S

(12) **United States Design Patent**
Ng et al.

(10) **Patent No.:** **US D934,866 S**
(45) **Date of Patent:** **** Nov. 2, 2021**

(54) **NETWORK DEVICE**

(71) Applicant: **TOAST, INC.**, Boston, MA (US)

(72) Inventors: **Boon Ping Ng**, Andover, MA (US);
Yueyue Wang, Boston, MA (US);
Jonathan Richard, Boston, MA (US)

(73) Assignee: **Toast, Inc.**, Boston, MA (US)

(**) Term: **15 Years**

(21) Appl. No.: **29/732,846**

(22) Filed: **Apr. 28, 2020**

(51) **LOC (13) Cl.** **14-02**

(52) **U.S. Cl.**
USPC **D14/433**

(58) **Field of Classification Search**
USPC D14/240, 242, 356, 358, 363, 365, 367,
D14/370, 432-437, 439, 498, 125, 366,
D14/168, 496; D13/147, 164, 123, 133,
D13/146, 110, 199, 103, 162, 159, 160,
D13/184; 361/683, 684, 686, 724, 735,
361/737, 752; D18/40
CPC H01R 25/006; H01R 27/02; H01R 31/005;
G06F 13/4022; G06F 13/382; G06F
1/1632; G06F 1/1684; G06F 1/20; G06F
1/1607

See application file for complete search history.

(56) **References Cited**

U.S. PATENT DOCUMENTS

D909,385 S * 2/2021 Kong D14/433
D909,386 S * 2/2021 Turksu D14/433
D911,346 S * 2/2021 Turksu D14/433
D912,056 S * 3/2021 Liao D14/433

D916,093 S * 4/2021 Liao D14/433
D916,094 S * 4/2021 Liao D14/433
D918,917 S * 5/2021 Wu D14/433
D918,918 S * 5/2021 Wu D14/433
D923,626 S * 6/2021 Zhang D14/433
D925,539 S * 7/2021 Wu D14/433
D925,540 S * 7/2021 Feng D14/433
D926,184 S * 7/2021 Zhang D14/357
D928,160 S * 8/2021 Liao D14/433

* cited by examiner

Primary Examiner — Austin Murphy

(74) *Attorney, Agent, or Firm* — Alan N. Herda; Richard K. Huffman; Huffman Patent Group, LLC

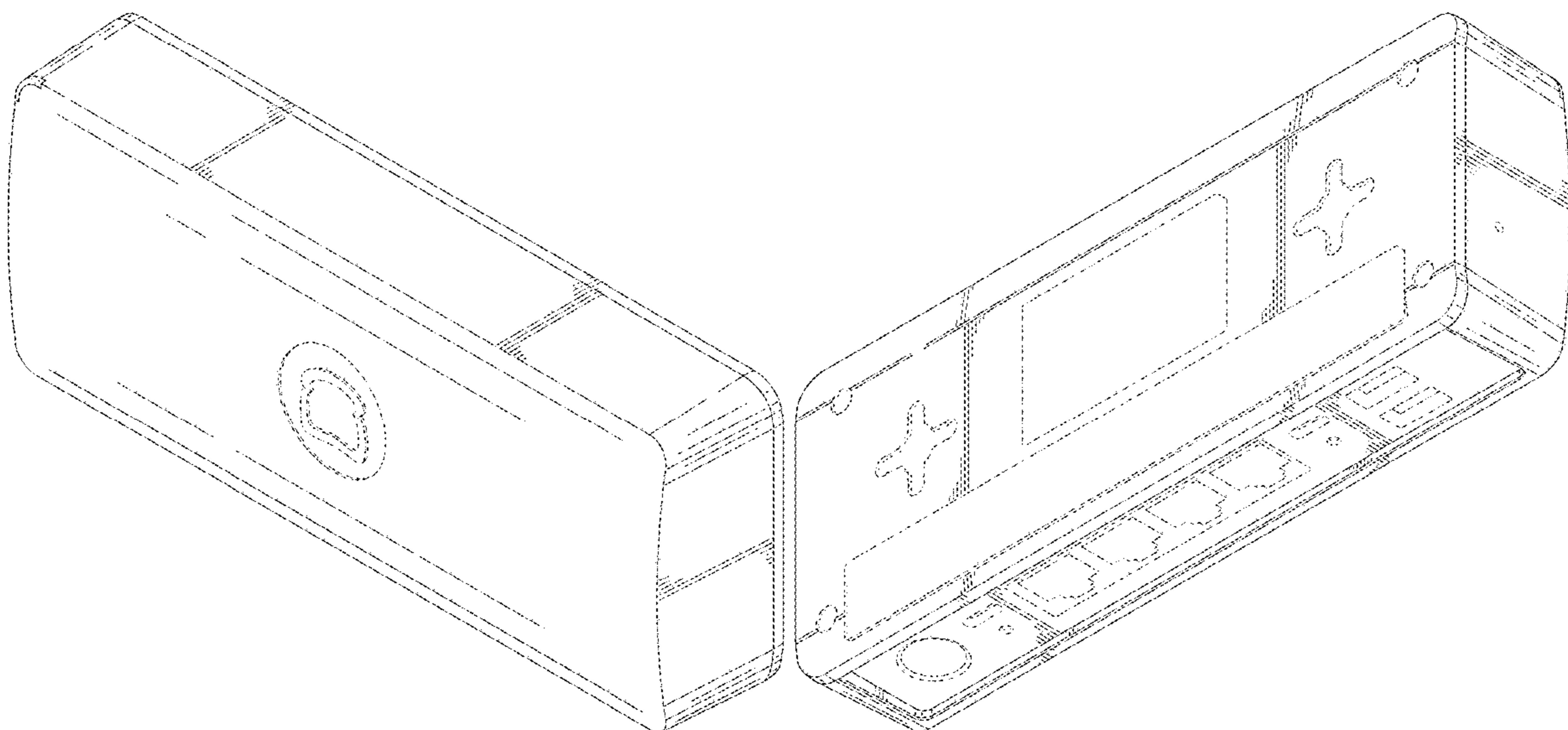
(57) **CLAIM**

The ornamental design for a network device, as shown and described.

DESCRIPTION

FIG. 1 is a perspective view of a network device showing our new design;
FIG. 2 is a front elevational view thereof;
FIG. 3 is a rear elevational view thereof;
FIG. 4 is a right side elevational view thereof;
FIG. 5 is a left side elevational view thereof;
FIG. 6 is a top plan view thereof;
FIG. 7 is a bottom plan view thereof; and,
FIG. 8 is another perspective view thereof.
The broken lines in each of FIGS. 1-8 show portions of the network device that form no part of the claimed design. The surface shading and contour lines shown in FIGS. 1-8 represent the three-dimensional character and contour of the network device, and are not intended to limit the network device to any particular material, color, or surface decoration.

1 Claim, 6 Drawing Sheets



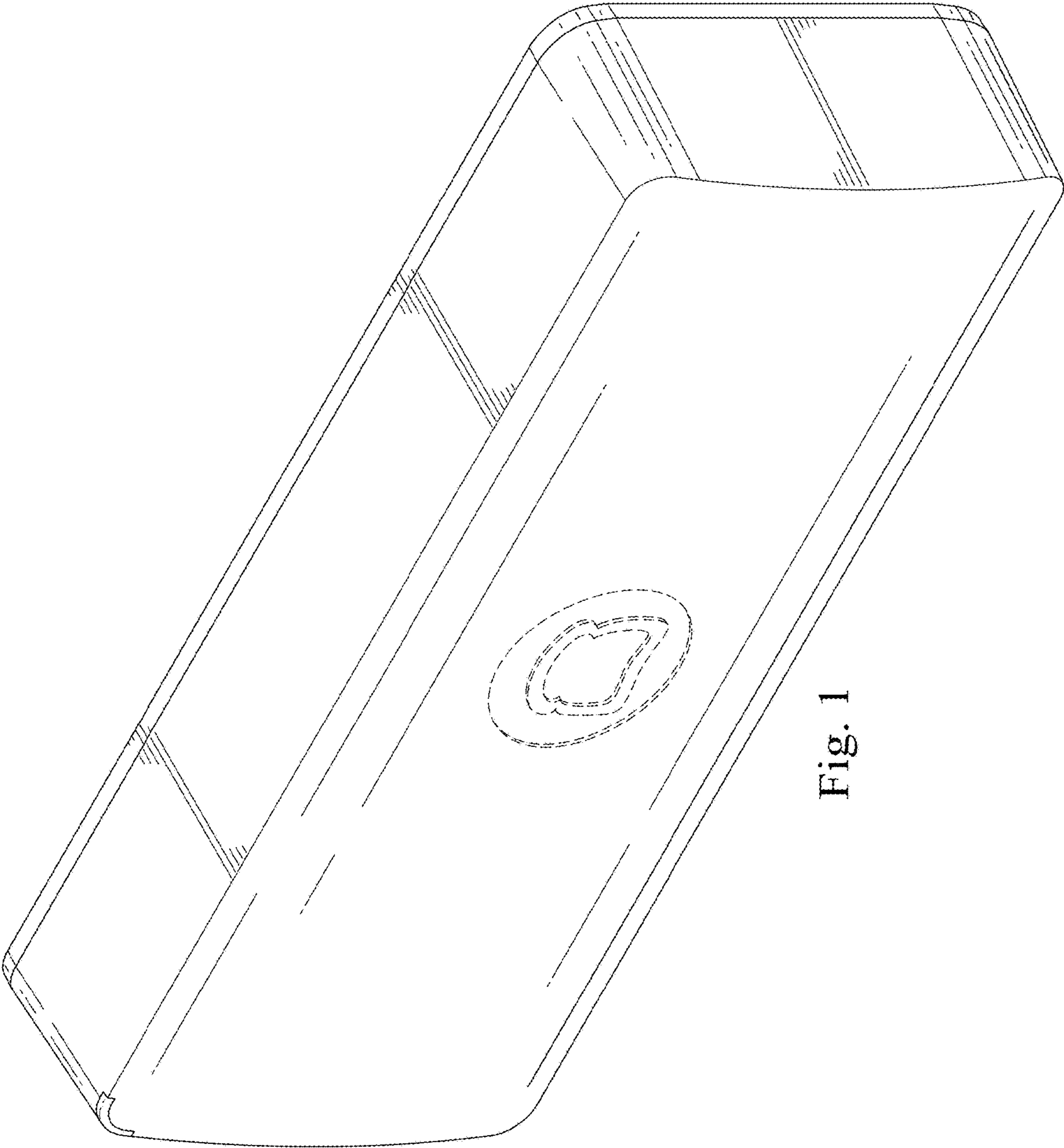


Fig. 1

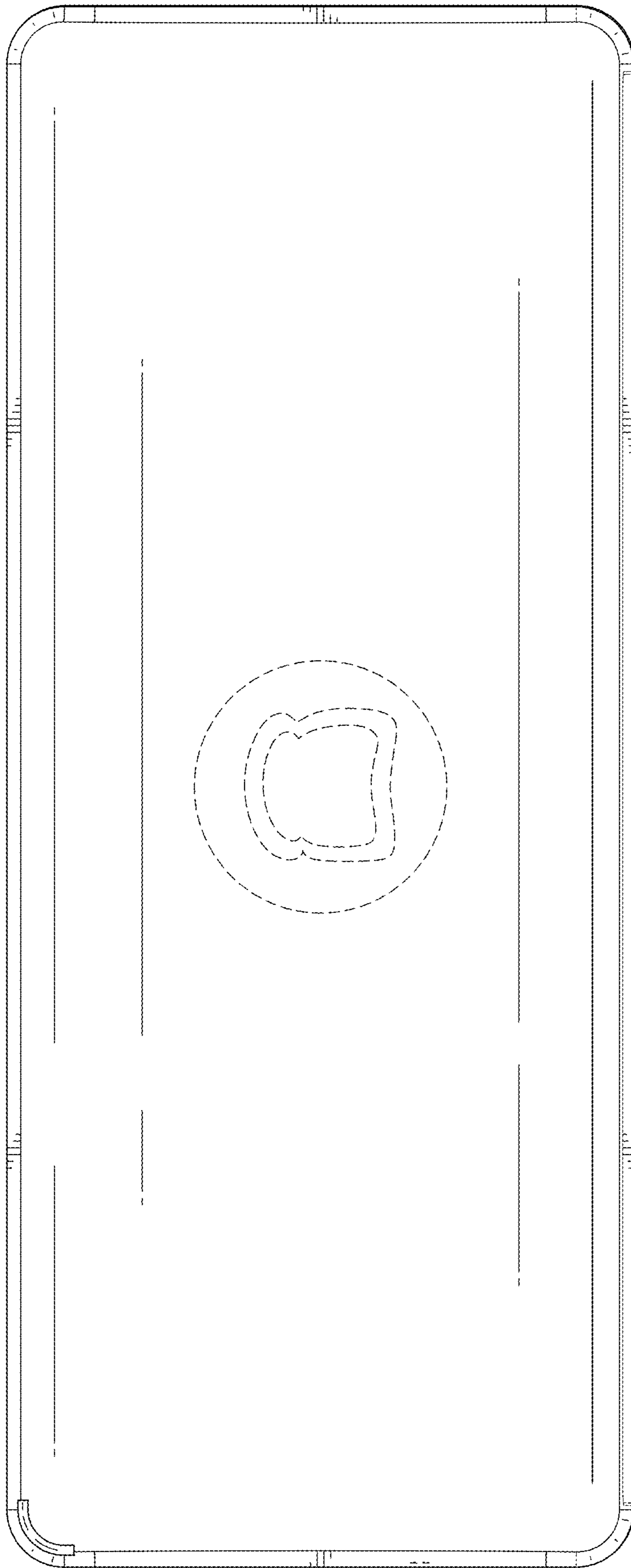


Fig. 2

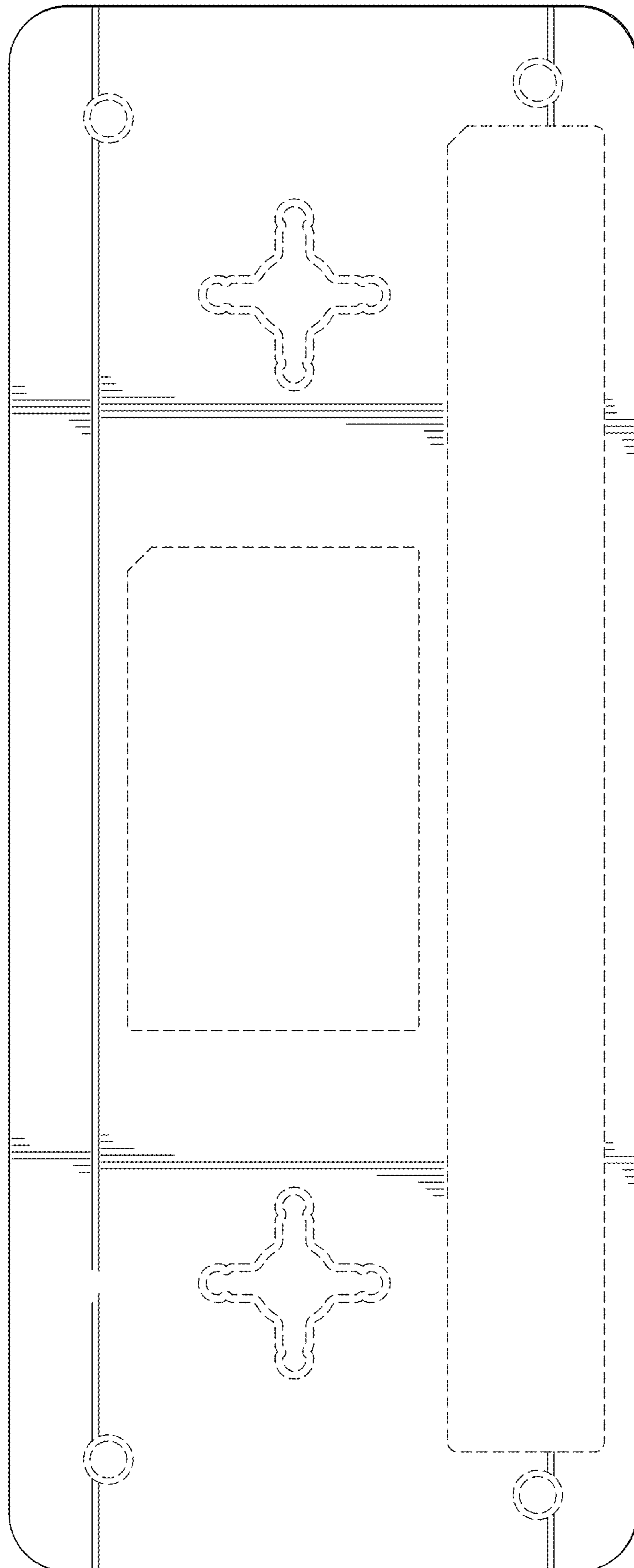


Fig. 3

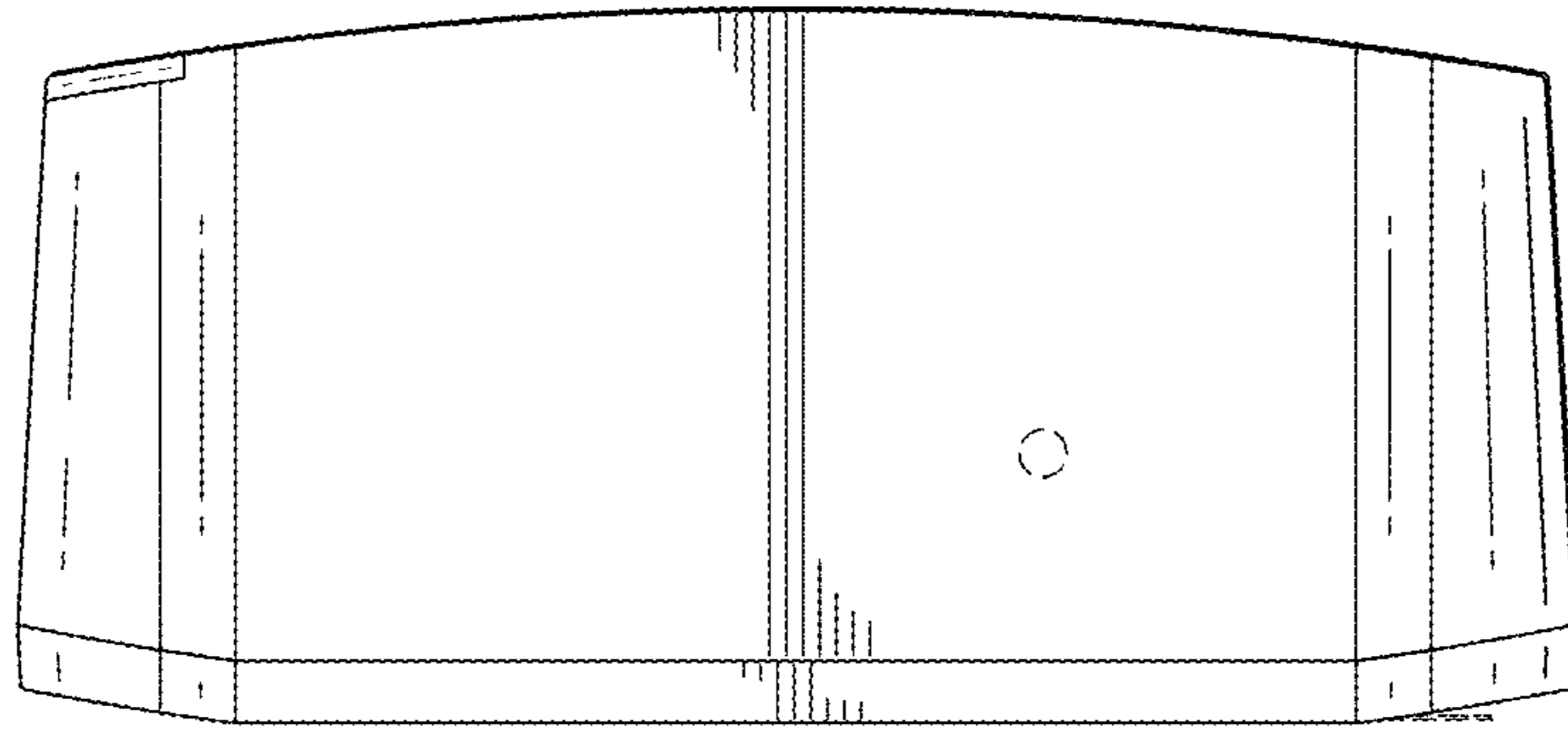


Fig. 5

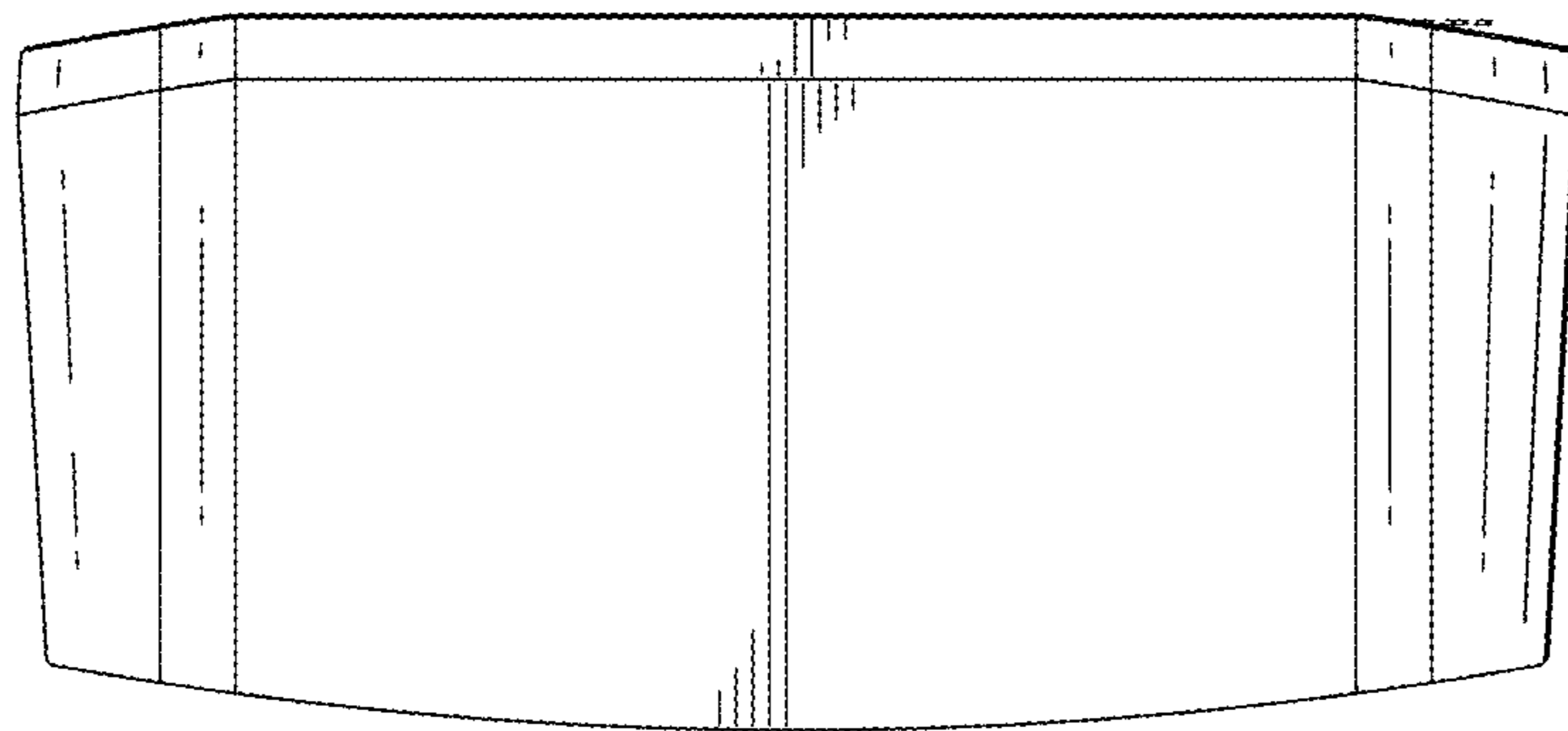


Fig. 4

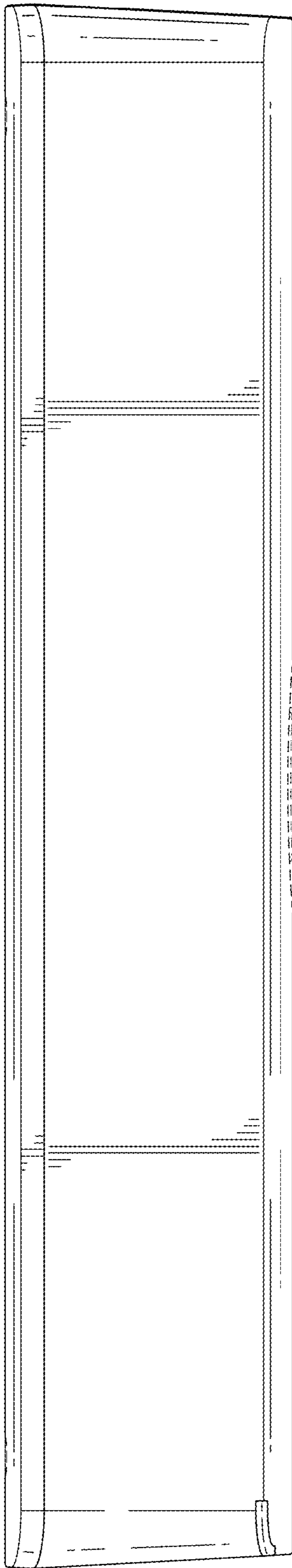


Fig. 6

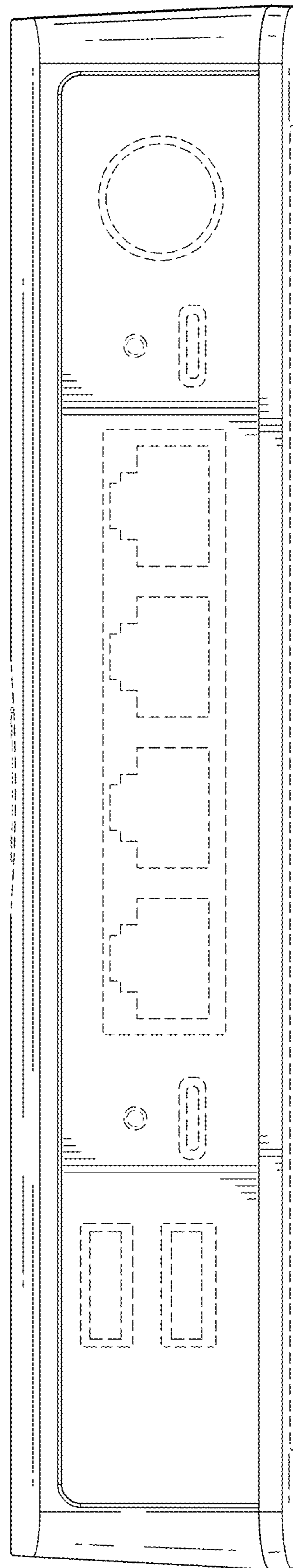


Fig. 7

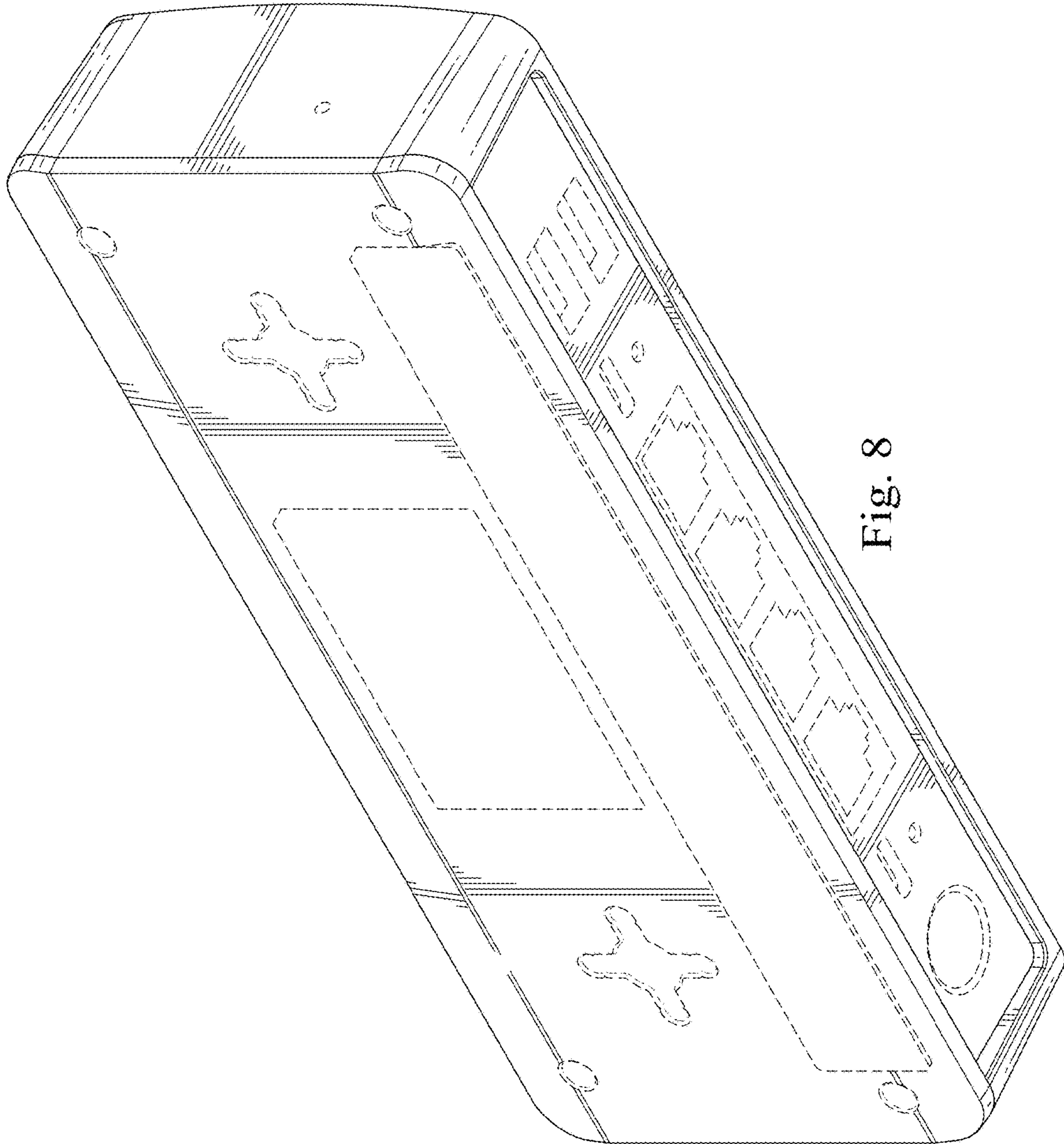


Fig. 8