



US00D934864S

(12) **United States Design Patent**
Lihsuan

(10) **Patent No.:** **US D934,864 S**

(45) **Date of Patent:** **** Nov. 2, 2021**

(54) **MOBILE COMPUTER**

(71) Applicant: **Dynabook Inc.**, Tokyo (JP)

(72) Inventor: **Chou Lihsuan**, Yokohama (JP)

(73) Assignee: **Dynabook Inc.**, Tokyo (JP)

(**) Term: **15 Years**

(21) Appl. No.: **29/701,106**

(22) Filed: **Aug. 8, 2019**

(30) **Foreign Application Priority Data**

Apr. 5, 2019 (JP) 2019-007476

(51) **LOC (13) Cl.** **14-02**

(52) **U.S. Cl.**
USPC **D14/393**

(58) **Field of Classification Search**
USPC D14/247, 315-327, 331-333, 338,
D14/345-347, 387, 390-401, 406, 429,
(Continued)

(56) **References Cited**

U.S. PATENT DOCUMENTS

5,712,760 A * 1/1998 Coulon G06F 1/1616
361/679.15
5,943,041 A * 8/1999 Allison G06F 1/1666
345/156

(Continued)

FOREIGN PATENT DOCUMENTS

CN 302518139 * 7/2013
CN 303403677 S 10/2015

(Continued)

OTHER PUBLICATIONS

Bluetooth Folding Keyboard, Matias, cnet.com, published by Justin Yu on Jul. 19, 2010 © 2020 CNET, online, site visited Dec. 9, 2020.

Available from Internet, URL: <https://www.cnet.com/reviews/matias-bluetooth-folding-keyboard-for-mac-review/> (Year: 2010).*

(Continued)

Primary Examiner — Lakiya G Rogers

Assistant Examiner — Altaira J Swangin

(74) *Attorney, Agent, or Firm* — Banner & Witcoff, Ltd.

(57) **CLAIM**

The ornamental design for a mobile computer, as shown and described.

DESCRIPTION

FIG. 1 is a perspective view of a mobile computer showing my new design,

FIG. 2 is a perspective view of the mobile computer of FIG. 1 shown in an alternative configuration of use thereof,

FIG. 3 is a perspective view of the mobile computer of FIG. 1 shown in an alternative configuration of use thereof,

FIG. 4 is a rear elevational view thereof,

FIG. 5 is a front elevational view thereof,

FIG. 6 is a top plan view thereof,

FIG. 7 is a bottom plan view thereof,

FIG. 8 is a left side elevational view thereof,

FIG. 9 is a right side elevational view thereof,

FIG. 10 is a top plan view of the mobile computer of FIG. 1 shown in an alternative configuration of use thereof,

FIG. 11 is a front elevational view of the mobile computer of FIG. 1 shown in another alternative configuration of use thereof,

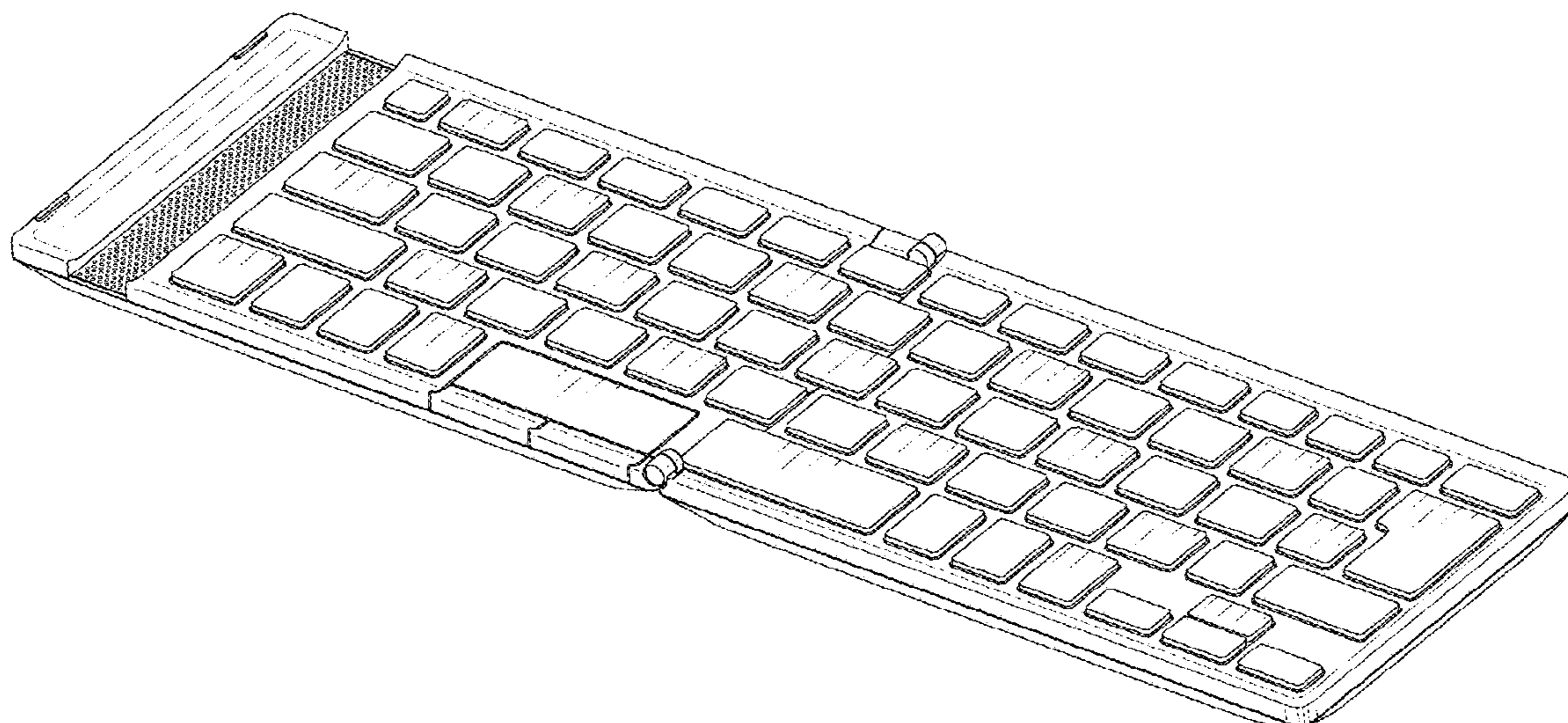
FIG. 12 is a top plan view in the state of being folded thereof,

FIG. 13 is a left side elevational view in the state of being folded thereof; and,

FIG. 14 is a right side elevational view in the state of being folded thereof.

The broken lines in the drawings depict portions of the mobile computer that form no part of the claimed design.

1 Claim, 7 Drawing Sheets



(58) **Field of Classification Search**

USPC D14/455-457, 460-461, 447; D18/1-2, D18/4.1-4.6, 7, 11, 12.2, 52; D21/324, D21/409; 341/22-23, 26; 345/168-173; 361/679.08, 679.09, 679.11, 679.14, 361/679.17, 679.26, 679.27, 786; 708/142-146; 235/8, 12, 15, 26-27, 235/145 A, 145 R, 146, 61 PE
 CPC B41J 5/00; B41J 5/10; B41J 5/12; G06F 3/021; G06F 3/0216; G06F 3/0219; G06F 3/02

See application file for complete search history.

(56) **References Cited**

U.S. PATENT DOCUMENTS

6,174,097 B1 * 1/2001 Daniel G06F 3/0221
 400/472
 D444,133 S * 6/2001 Katz D14/331
 D457,525 S * 5/2002 Olodort D14/396
 6,390,699 B1 * 5/2002 Lam G06F 3/0202
 400/472
 6,793,421 B1 * 9/2004 Baldwin G06F 3/0221
 361/679.14
 6,803,904 B2 * 10/2004 Furuki G06F 1/1632
 345/156
 D563,407 S * 3/2008 Jawerth D14/391
 D745,520 S * 12/2015 Jiang D14/392
 D795,873 S * 8/2017 Jiang D14/393
 D799,484 S * 10/2017 Tamillow D14/391
 2002/0001498 A1 * 1/2002 Li H01H 13/86
 400/472
 2002/0021935 A1 * 2/2002 Li H01H 13/86
 403/119
 2002/0033761 A1 * 3/2002 Katakami H01H 13/86
 341/22
 2002/0050934 A1 * 5/2002 Olodort G06F 3/0221
 341/22
 2002/0164187 A1 * 11/2002 Huang G06F 3/0221
 400/472
 2003/0002900 A1 * 1/2003 Lin G06F 3/0221
 400/472
 2003/0026638 A1 * 2/2003 Huang G06F 3/0221
 400/472
 2004/0052044 A1 * 3/2004 Mochizuki G06F 1/1679
 361/679.15
 2004/0067086 A1 * 4/2004 Olodort G06F 1/1632
 400/472
 2004/0104897 A1 * 6/2004 Mochizuki G06F 3/0221
 345/168
 2005/0146446 A1 * 7/2005 Hsu G06F 1/1632
 341/22
 2005/0164752 A1 * 7/2005 Lau G06F 1/1666
 455/575.3

2006/0038775 A1 * 2/2006 Agata H01H 13/86
 345/156
 2006/0099023 A1 * 5/2006 Katz H01H 13/86
 400/472
 2008/0253822 A1 * 10/2008 Matias H01H 13/86
 400/472
 2009/0135554 A1 * 5/2009 Chien G06F 3/0202
 361/679.08
 2013/0063883 A1 * 3/2013 Yang G06F 3/0221
 361/679.15
 2013/0077228 A1 * 3/2013 Batio G06F 1/1641
 361/679.29
 2014/0240235 A1 * 8/2014 Norwalk G06F 3/0202
 345/168
 2019/0035573 A1 * 1/2019 Liu G06F 3/0221
 2019/0286248 A1 * 9/2019 McDermid G06F 3/0221

FOREIGN PATENT DOCUMENTS

CN 303691543 S 6/2016
 CN 303912325 S 11/2016
 CN 304014125 * 1/2017
 CN 304061861 S 3/2017
 CN 304220633 S 7/2017
 CN 304664757 S 6/2018
 CN 304664759 S 6/2018
 CN 304689467 S 6/2018
 JP 0982625 6/1997
 JP 1042006 6/1999
 JP 1128609 12/2001
 JP 1172121 4/2003
 JP 1177564 6/2003
 JP 1220049 10/2004
 JP 1242479 6/2005
 JP 1528489 7/2015
 JP 1570254 2/2017
 JP 1570255 2/2017
 JP 1570527 2/2017
 JP D1647381 * 12/2019
 JP D1650752 * 1/2020

OTHER PUBLICATIONS

PeriBoard-850L Bluetooth Foldable Keyboard, Perixx, amazon.com, published by Perixx, available on Mar. 14, 2013 © 1996-2020 Amazon.com, Inc., online, site visited Dec. 9, 2020. Available from Internet, URL: <https://www.amazon.com/Perixx-Periboard-805L-Bluetooth-Keyboard-Smartphone/dp/B00BU4OV50> (Year: 2013).* The corresponding Japanese Application No. 2019-25786, PiPO Technology, <http://www.gdm.or.jp/pressrelease/2016/0422/159787> [Apr. 22, 2016] 1 page.
 The corresponding Japanese Application No. 2019-25786, Apple, <http://www.youtube.com/watch?v=xAELr3pQSeY> [Mar. 6, 2018] 1 page.

* cited by examiner

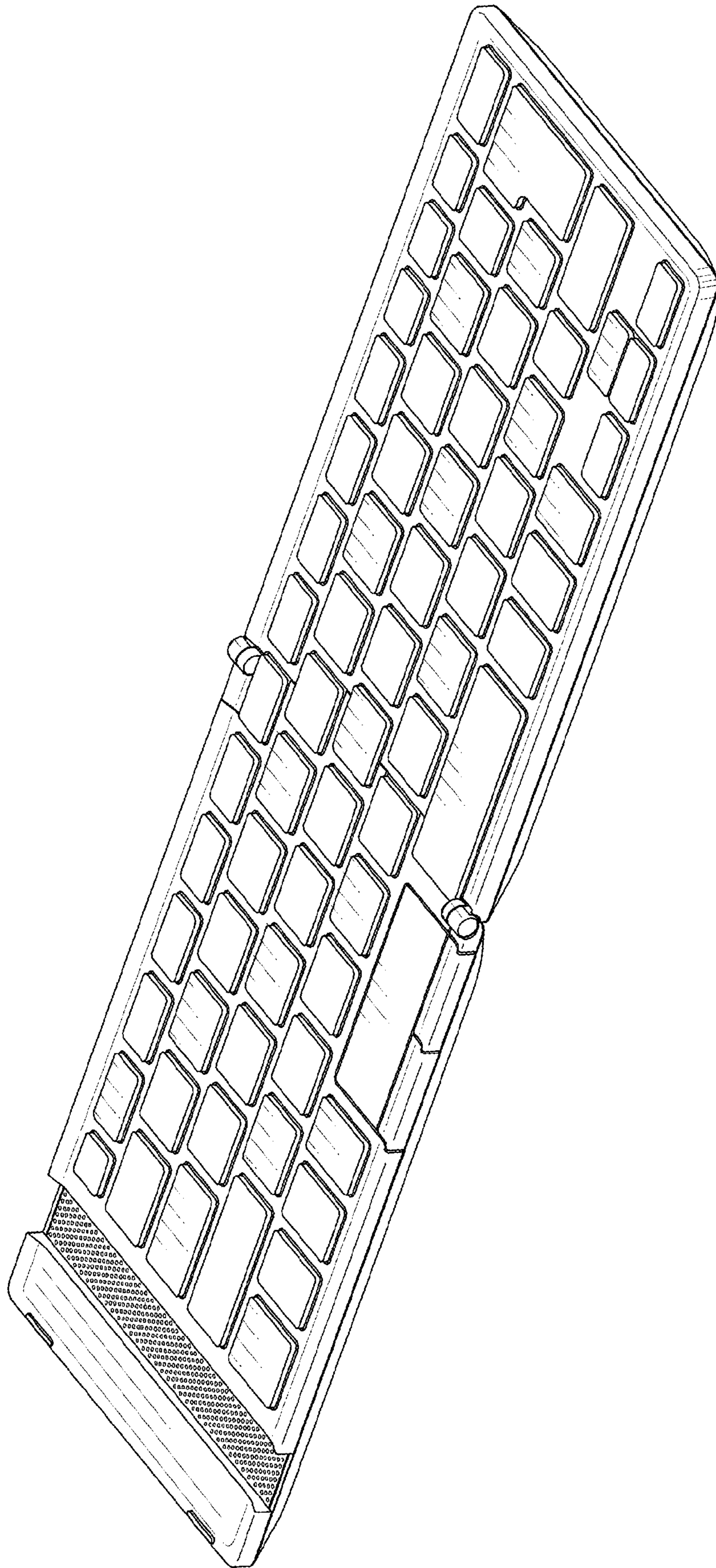


FIG. 1

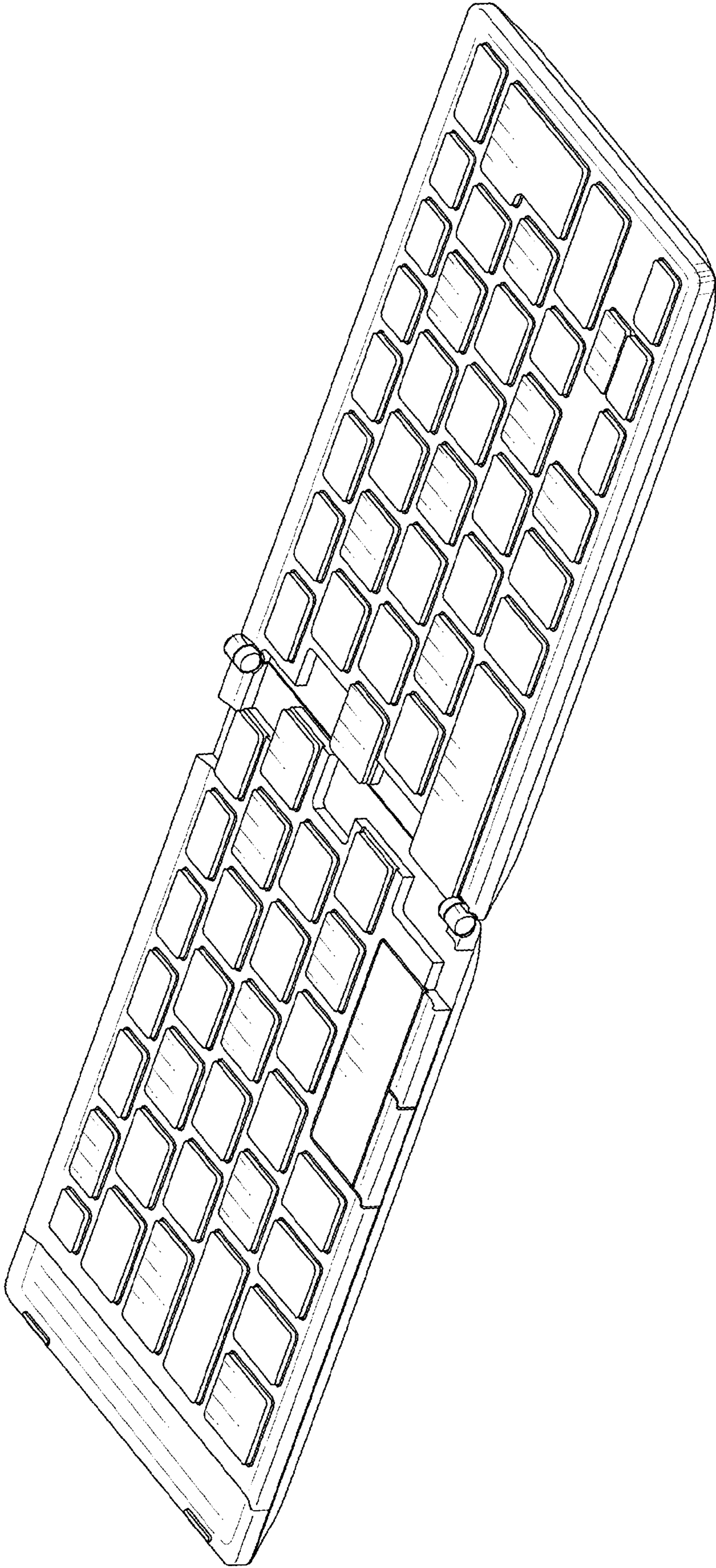


FIG. 2

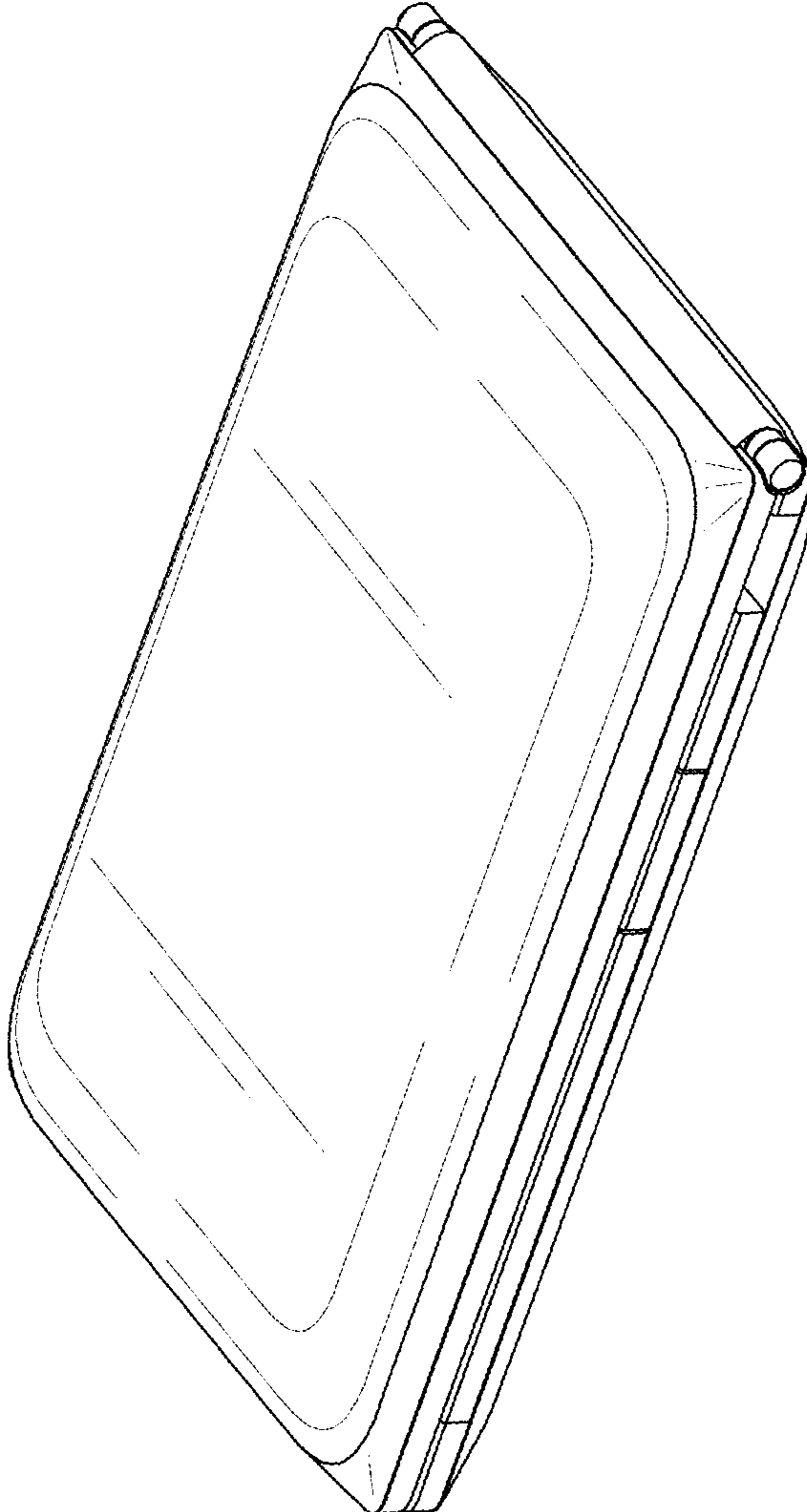


FIG. 3



FIG. 4



FIG. 5

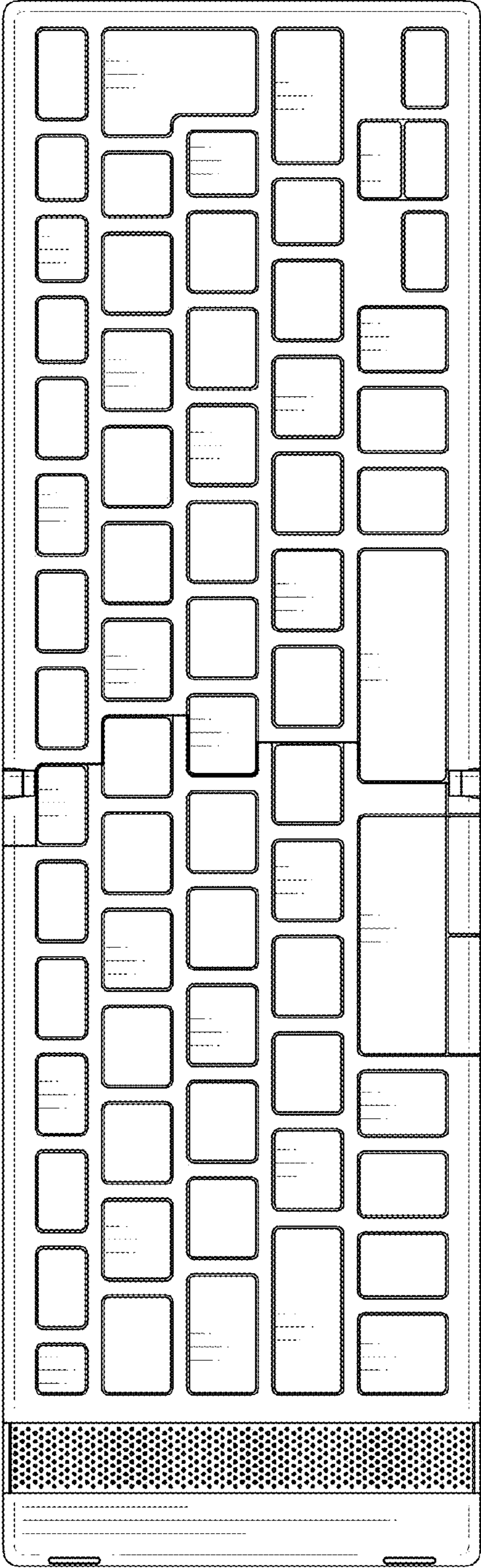


FIG. 6

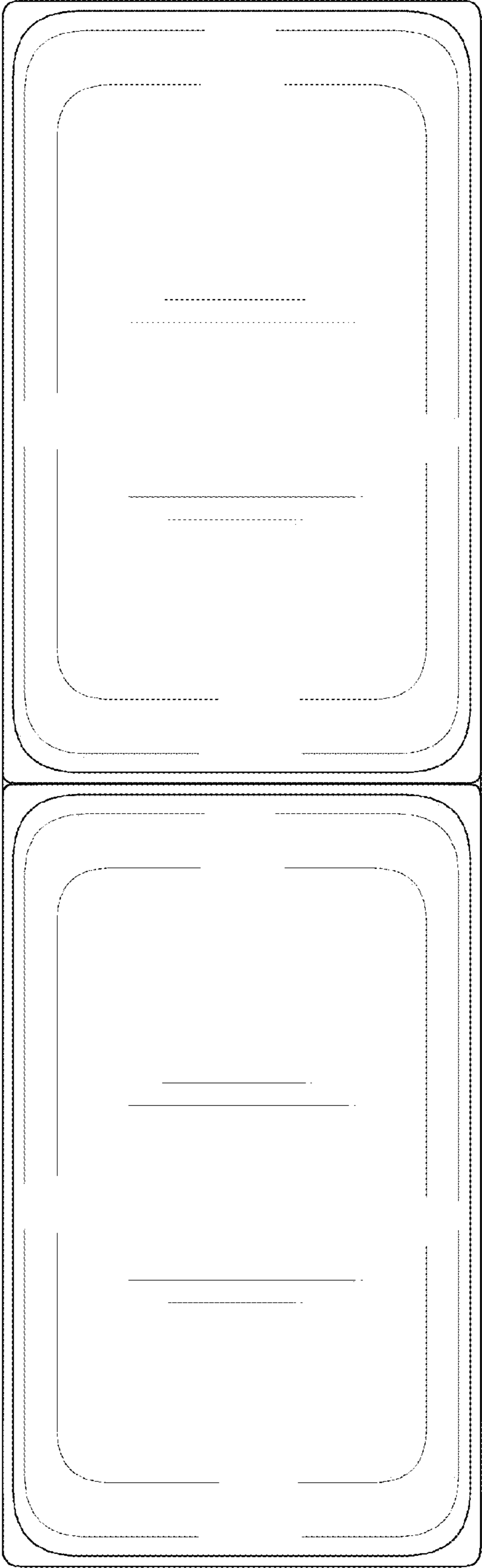


FIG. 7

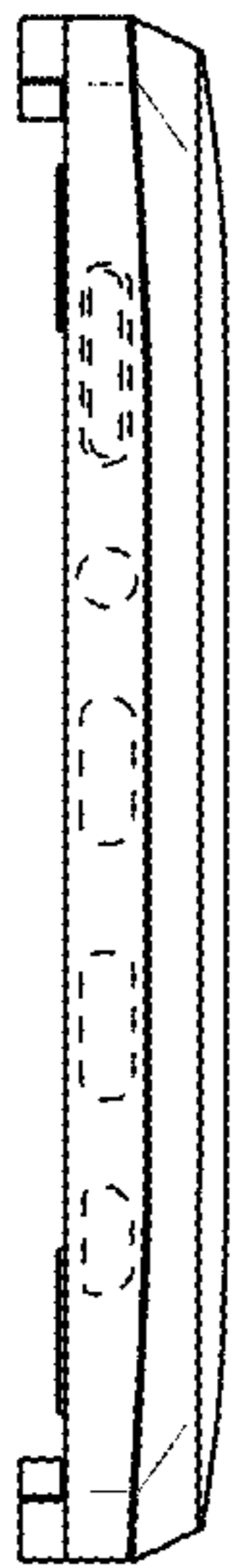
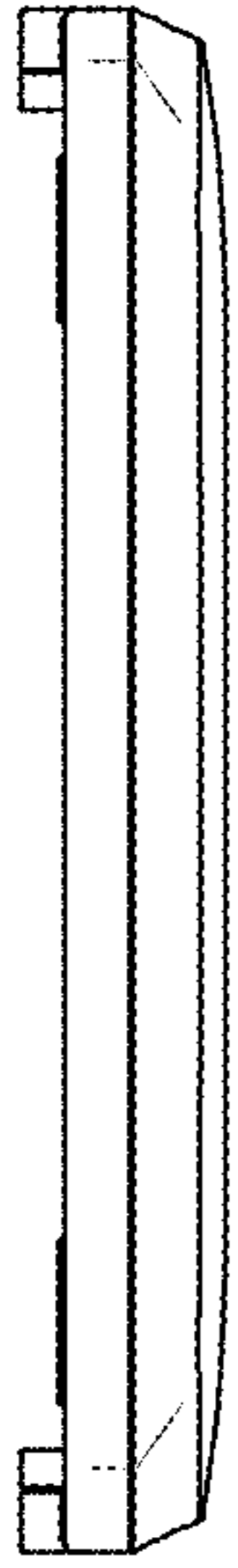


FIG. 8

FIG. 9

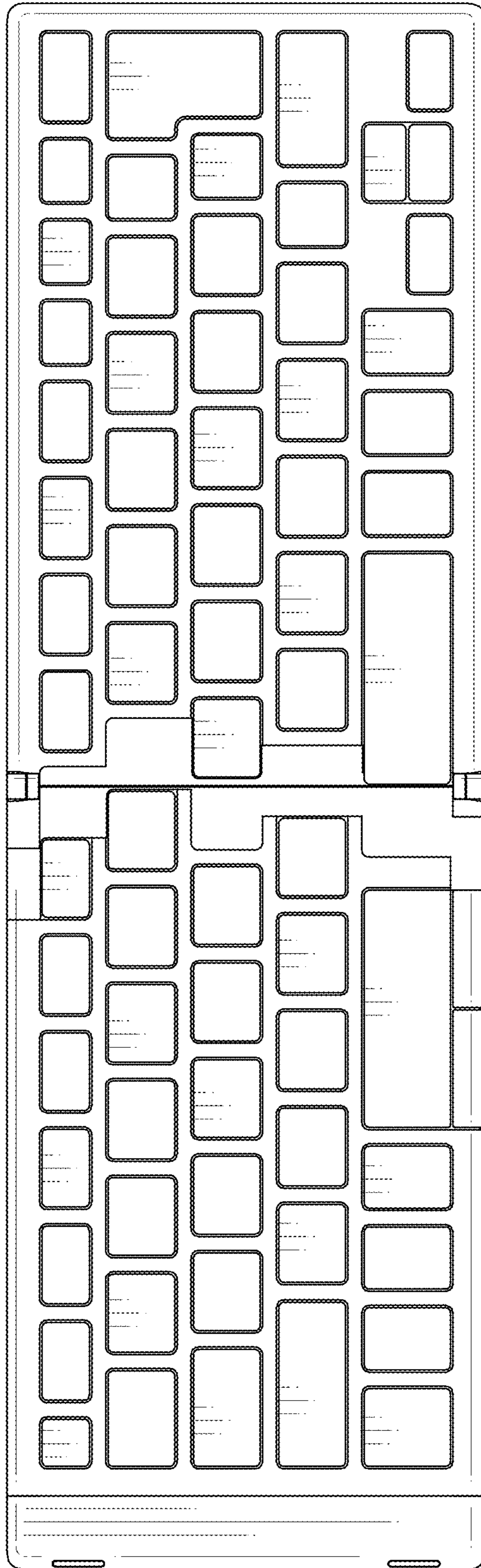


FIG. 10

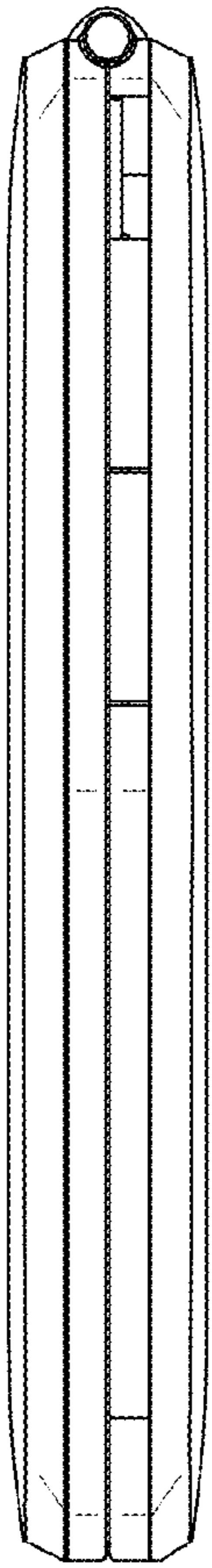


FIG. 11

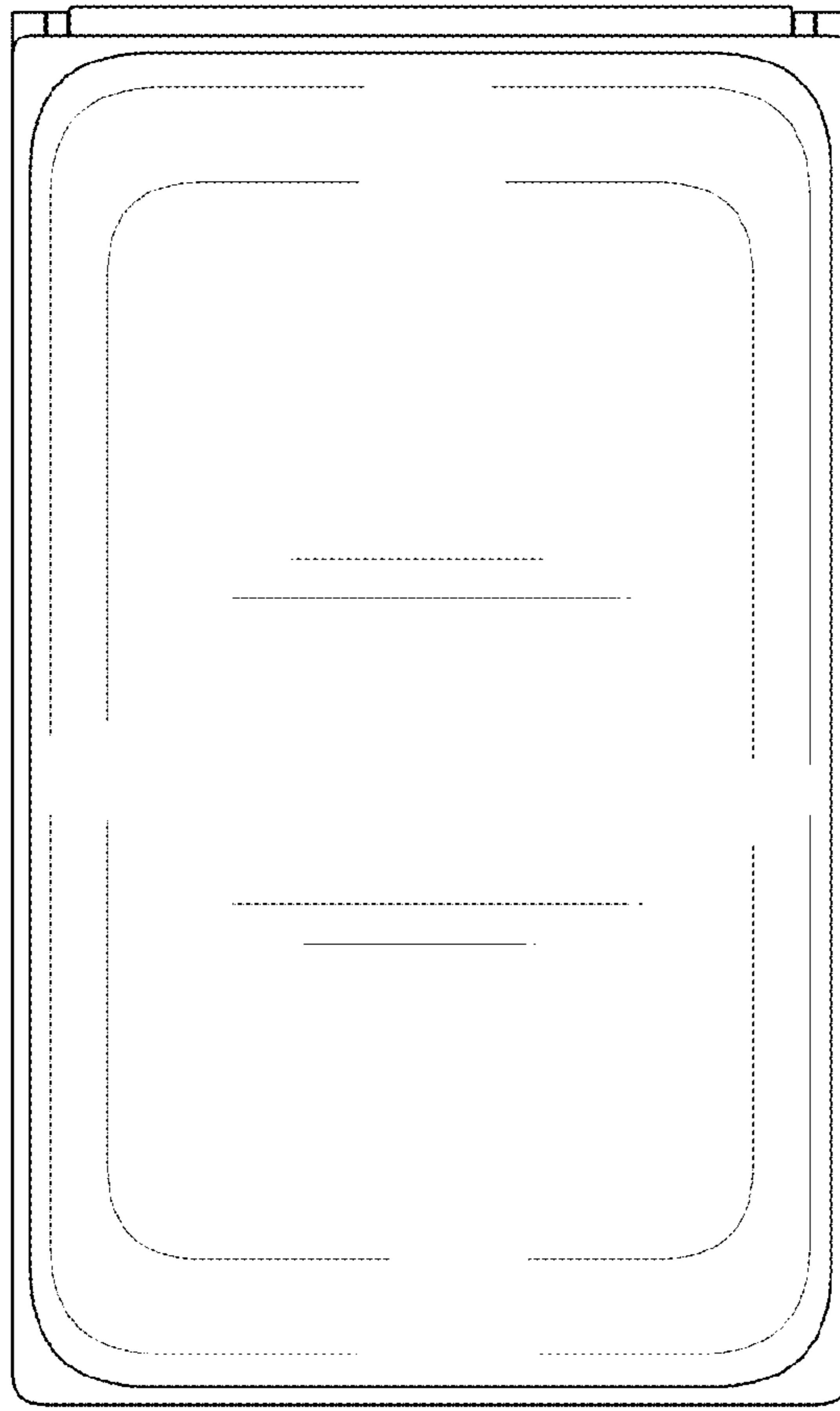


FIG. 12

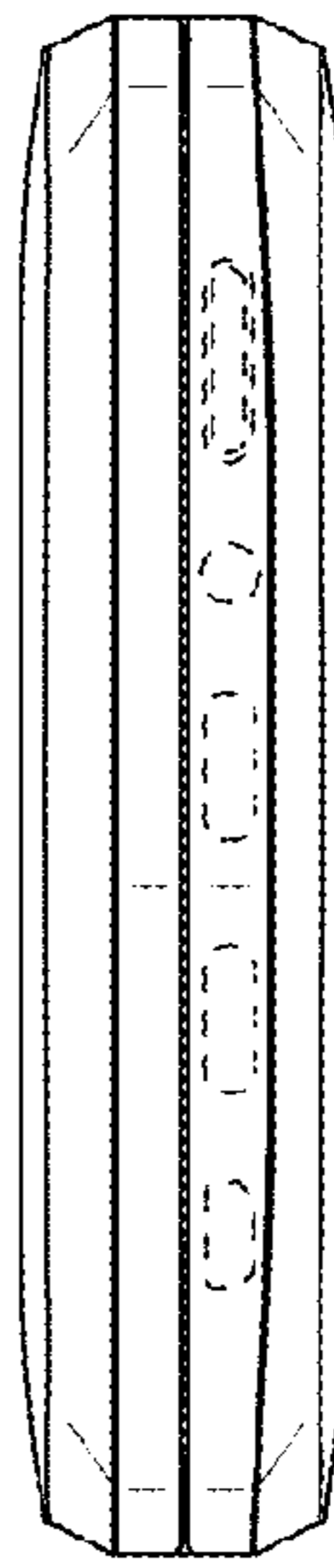


FIG. 13

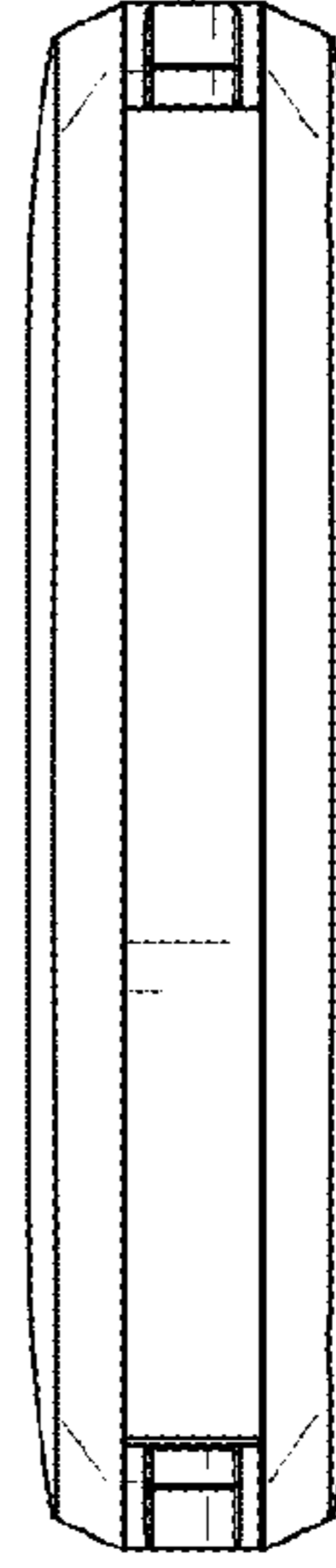


FIG. 14