



US00D934862S

(12) **United States Design Patent** (10) **Patent No.:** **US D934,862 S**  
**Choi et al.** (45) **Date of Patent:** **\*\* Nov. 2, 2021**

(54) **INFORMATION HANDLING SYSTEM**

(71) Applicant: **Dell Products L.P.**, Round Rock, TX (US)

(72) Inventors: **Dux Choi**, Austin, TX (US); **Kyu Sang Park**, Austin, TX (US)

(73) Assignee: **Dell Products, L.P.**, Round Rock, TX (US)

(\*\*) Term: **15 Years**

(21) Appl. No.: **29/712,383**

(22) Filed: **Nov. 7, 2019**

(51) **LOC (13) Cl.** ..... **14-02**

(52) **U.S. Cl.**  
USPC ..... **D14/354**

(58) **Field of Classification Search**  
USPC ..... D14/140.1, 140.2, 240, 242, 301-302,  
D14/308, 348-349, 351-359, 440-441,  
(Continued)

(56) **References Cited**

**U.S. PATENT DOCUMENTS**

D25,533 S \* 5/1896 Conway ..... D23/397  
D334,737 S \* 4/1993 Landry ..... D14/350  
(Continued)

**FOREIGN PATENT DOCUMENTS**

CN 302279294 \* 1/2013

**OTHER PUBLICATIONS**

Precision 5820 Desktop Workstation, Dell, dell.com, author unlisted various dates © 2020 Dell, online, site visited Dec. 26, 2020.

Available at URL: <https://www.dell.com/en-us/work/shop/workstations-isv-certified/precision-5820-desktop-workstation/spd/precision-5820-workstation> (Year: 2020).\*

(Continued)

*Primary Examiner* — Holly E Thurman  
*Assistant Examiner* — Altaira J Swangin

(74) *Attorney, Agent, or Firm* — Zagorin Cave LLP;  
Robert W. Holland

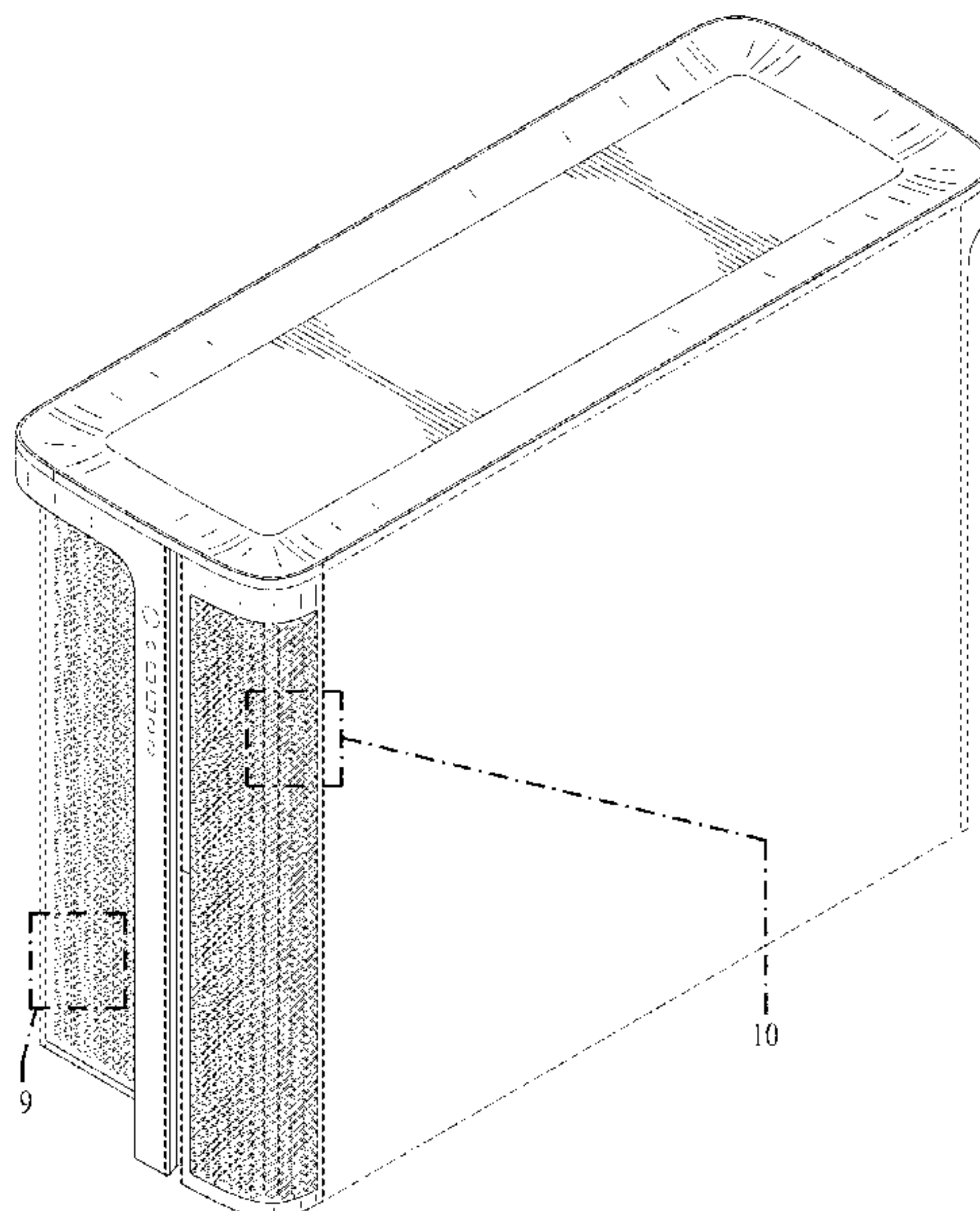
(57) **CLAIM**

We claim the ornamental design for an information handling system, as shown and described.

**DESCRIPTION**

FIG. 1 is a front perspective view of the information handling system comprising the present invention;  
FIG. 2 is a front elevation view thereof;  
FIG. 3 is a rear elevation view thereof;  
FIG. 4 is a right side view thereof;  
FIG. 5 is a left side view thereof;  
FIG. 6 is a top view thereof;  
FIG. 7 is a bottom view thereof;  
FIG. 8 is a front bottom left perspective view thereof;  
FIG. 9 is a detailed view as indicated by area '9' in FIG. 1;  
FIG. 10 is a detailed view as indicated by area '10' in FIG. 1;  
FIG. 11 is a detailed view as indicated by area '11' in FIG. 2;  
FIG. 12 is a detailed view as indicated by area '12' in FIG. 2;  
FIG. 13 is a detailed view as indicated by area '13' in FIG. 8; and,  
FIG. 14 is a detailed view as indicated by area '14' in FIG. 8.  
Broken lines shown in the drawings illustrate portions of the information handling system, and form no part of the claimed design. The additional set of broken lines showing enlarged detail views in FIGS. 1-2 and 8-14 are for annotative purposes only and form no part thereof.

**1 Claim, 10 Drawing Sheets**



(58) **Field of Classification Search**

USPC ..... D14/444–446; D9/424, 427, 430,  
D9/432–433; D13/103, 110–112, 122,  
D13/158–160, 184; D23/351, 354,  
D23/364–366, 270  
CPC .. G06F 1/18; G06F 1/181; G06F 1/20; H05K  
5/00; H05K 5/03; H05K 5/04; H05K  
5/0213

See application file for complete search history.

D790,539 S \* 6/2017 Lee ..... D14/358  
D814,461 S \* 4/2018 Latto ..... D14/349  
D816,648 S \* 5/2018 Kwak ..... D14/240  
D816,669 S \* 5/2018 Jasinski ..... D14/349  
D824,900 S \* 8/2018 Wu ..... D14/356  
D837,207 S \* 1/2019 Widiaman ..... D14/349  
D841,795 S \* 2/2019 Chen ..... D23/378  
D844,840 S \* 4/2019 Henke ..... D25/38.1  
D867,358 S \* 11/2019 Byrd ..... D14/301  
D891,408 S \* 7/2020 Kwak ..... D14/240

(56) **References Cited**

U.S. PATENT DOCUMENTS

D477,600 S \* 7/2003 Crisp ..... D14/354  
D489,719 S \* 5/2004 Crisp ..... D14/351  
D495,701 S \* 9/2004 Murakami ..... D14/356  
D496,037 S \* 9/2004 Ooura ..... D14/356  
D496,359 S \* 9/2004 Ooura ..... D14/356  
D503,718 S \* 4/2005 Heinz ..... D14/444  
D602,580 S \* 10/2009 Sterpka ..... D23/382  
D620,582 S \* 7/2010 Peterson ..... D23/382  
D689,854 S \* 9/2013 Morton ..... D14/300  
D689,855 S \* 9/2013 Morton ..... D14/300  
D691,126 S \* 10/2013 Morton ..... D14/300  
D728,539 S \* 5/2015 Dubrule ..... D14/240  
D763,246 S \* 8/2016 Jasinski ..... D14/300  
D783,583 S \* 4/2017 Moon ..... D14/240  
D787,656 S \* 5/2017 Yoo ..... D23/351

OTHER PUBLICATIONS

Precision T5810 Workstation, Dell, amazon.com, author unlisted, available Feb. 12, 2019 © 1996-2020 Amazon.com, Inc., online, site visited Dec. 26, 2020. Available at URL: [https://www.amazon.com/Dell-Precision-T5810-Workstation-E5-1620v3/dp/B07NP62VMX/ref=sr\\_1\\_1\\_sspa?dchild=1&keywords=dell](https://www.amazon.com/Dell-Precision-T5810-Workstation-E5-1620v3/dp/B07NP62VMX/ref=sr_1_1_sspa?dchild=1&keywords=dell) . . . (Year: 2019).\*

U.S. Appl. No. 29/526,997, filed May 14, 2015, entitled “Information Handling System,” by Jasinski et al.

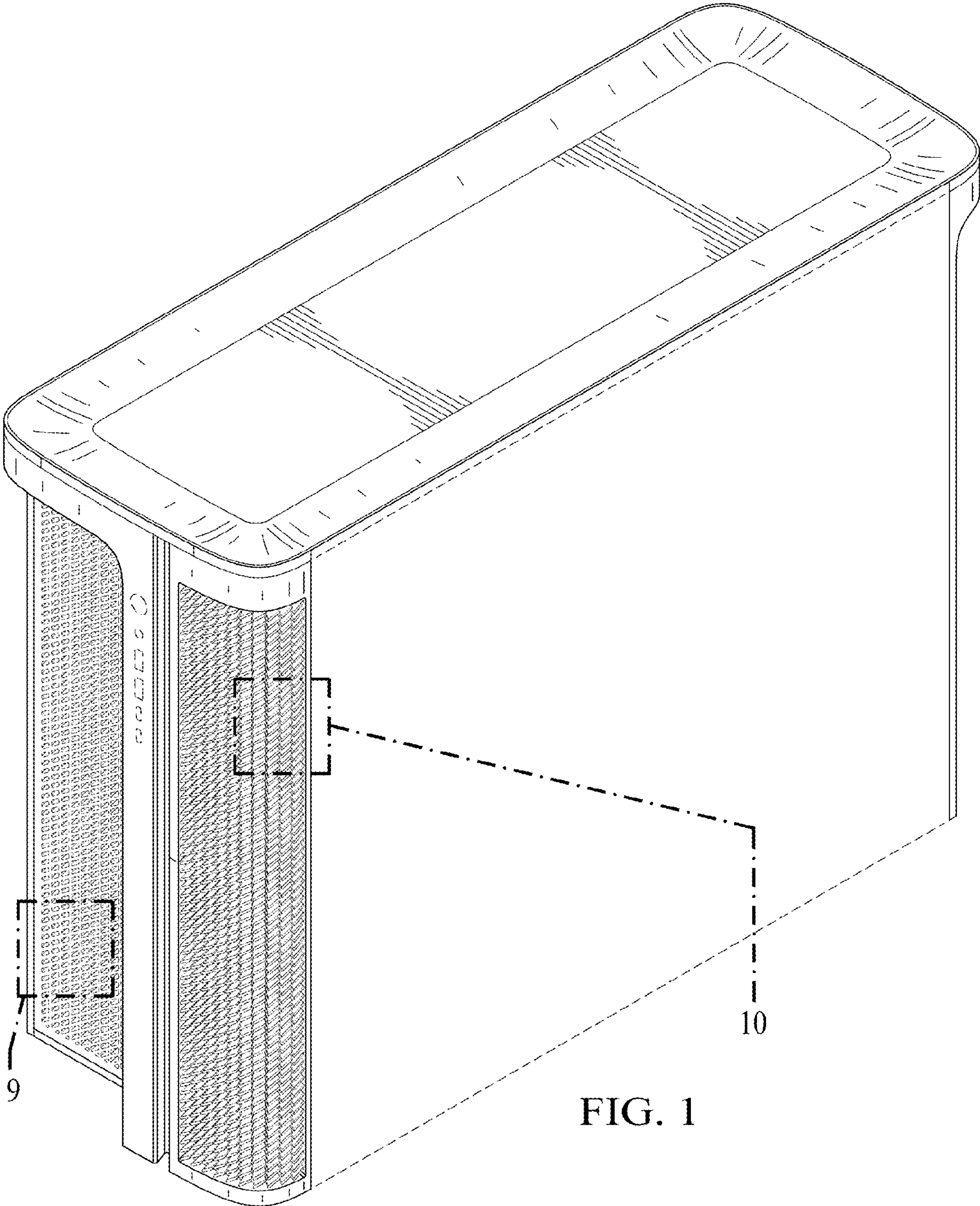
U.S. Appl. No. 29/690,147, filed May 6, 2019, entitled “Information Handling System Bezel,” by Kyu Sang Park et al.

U.S. Appl. No. 29/591,656, filed Jan. 23, 2017, entitled “Information Handling System Housing,” by Antonio T. Latto et al.

U.S. Appl. No. 29/432,208, filed Sep. 14, 2012, entitled “Information Handling System Housing,” by Michael Morton et al.

\* cited by examiner







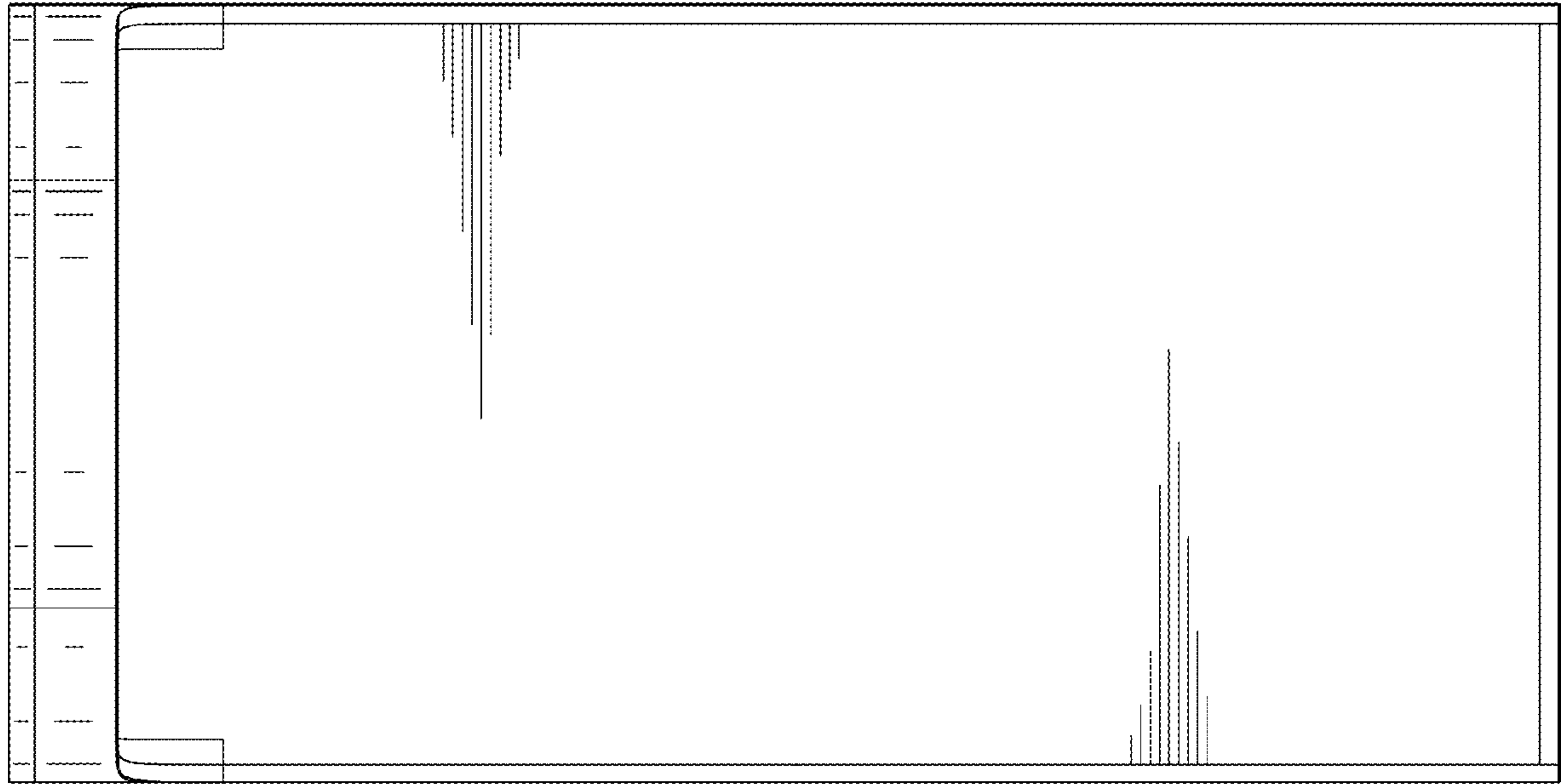


FIG. 3

FIG. 2

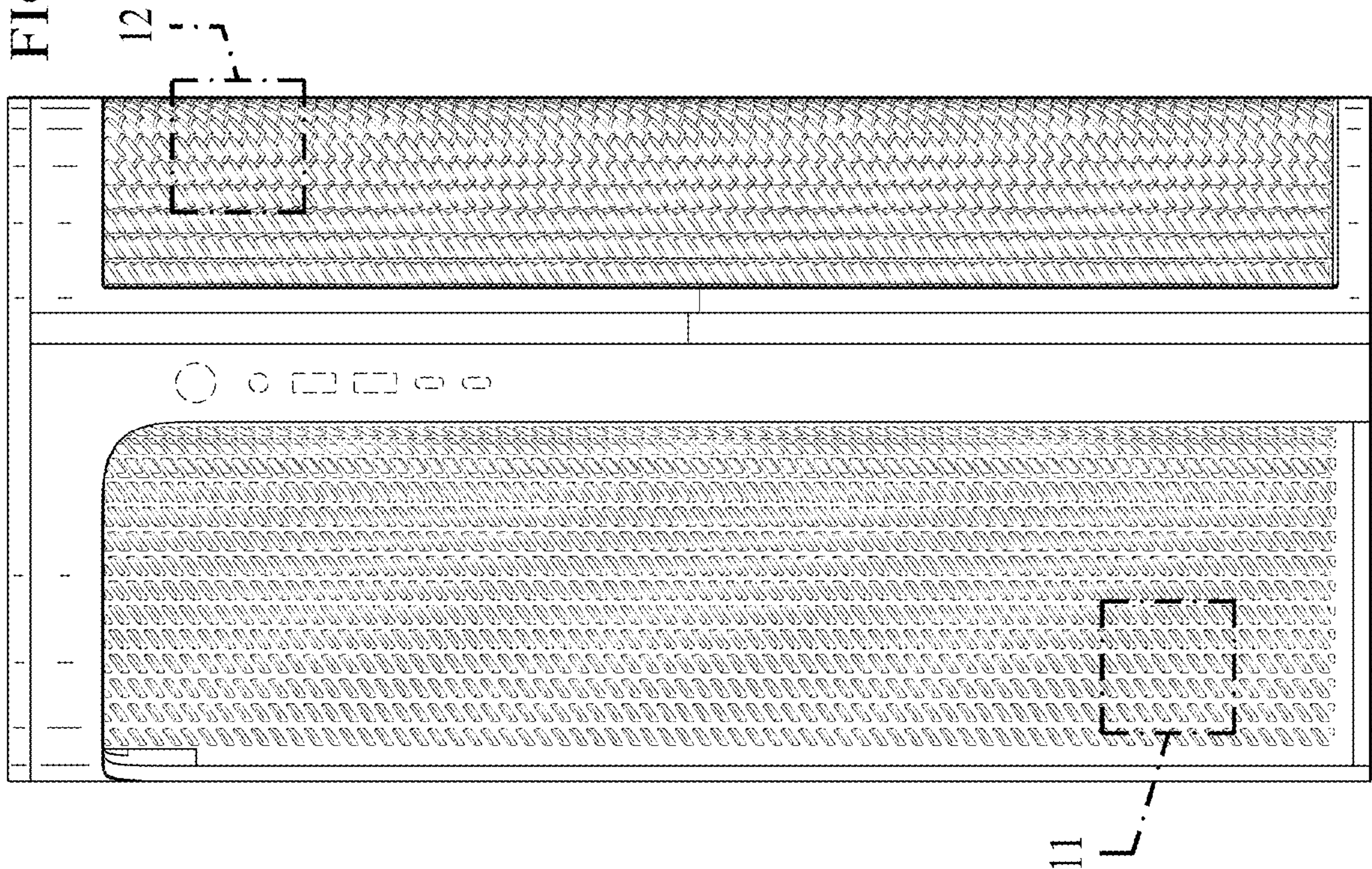
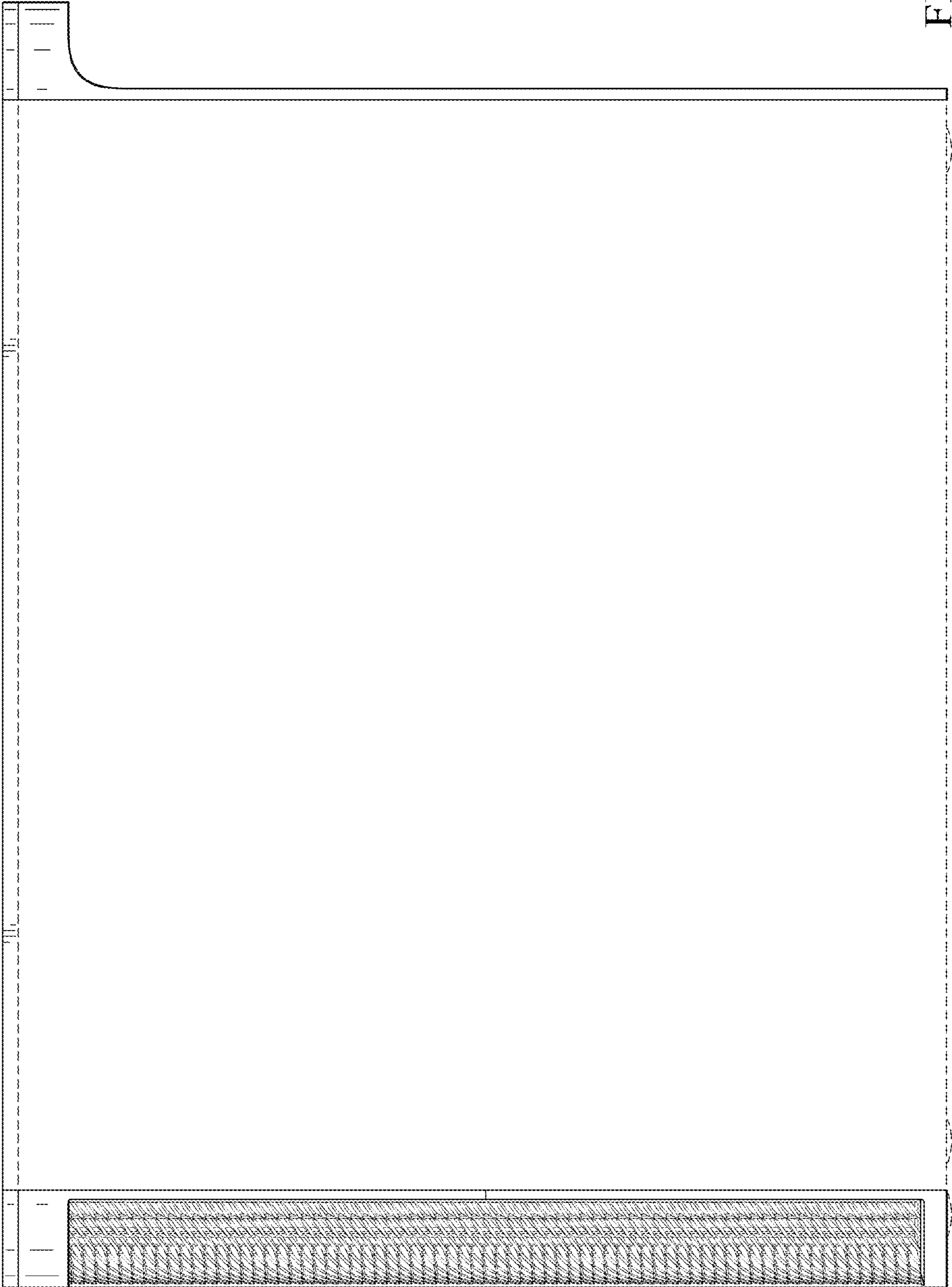


FIG. 4



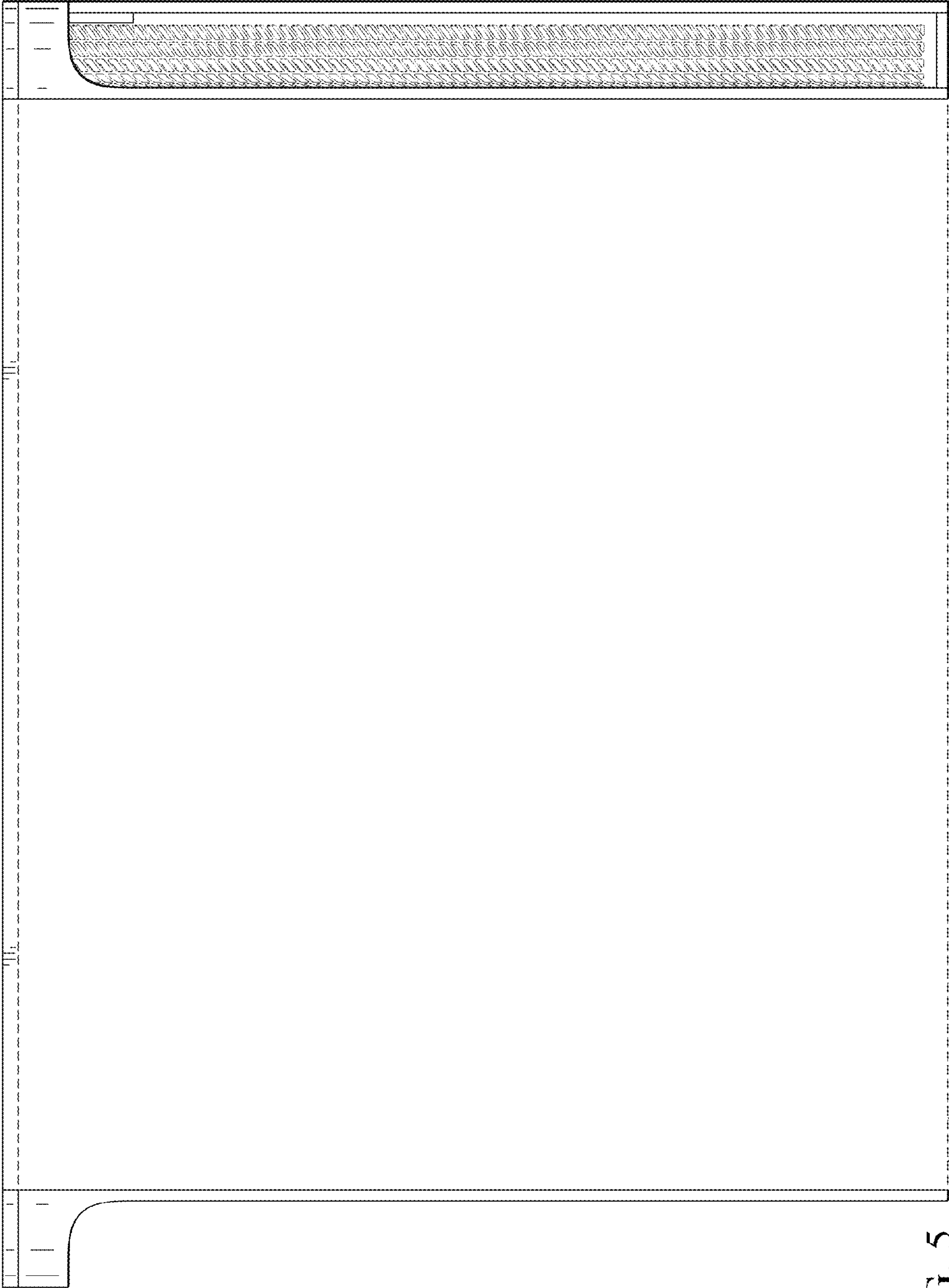


FIG. 5



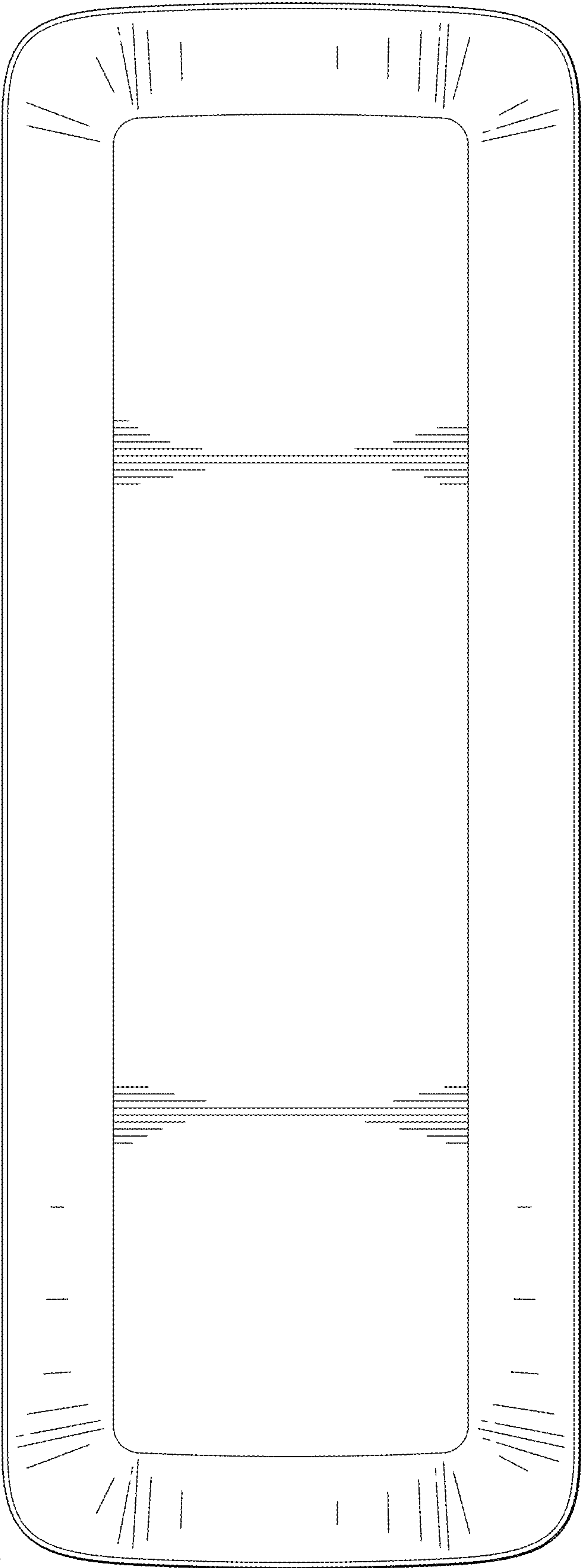


FIG. 6

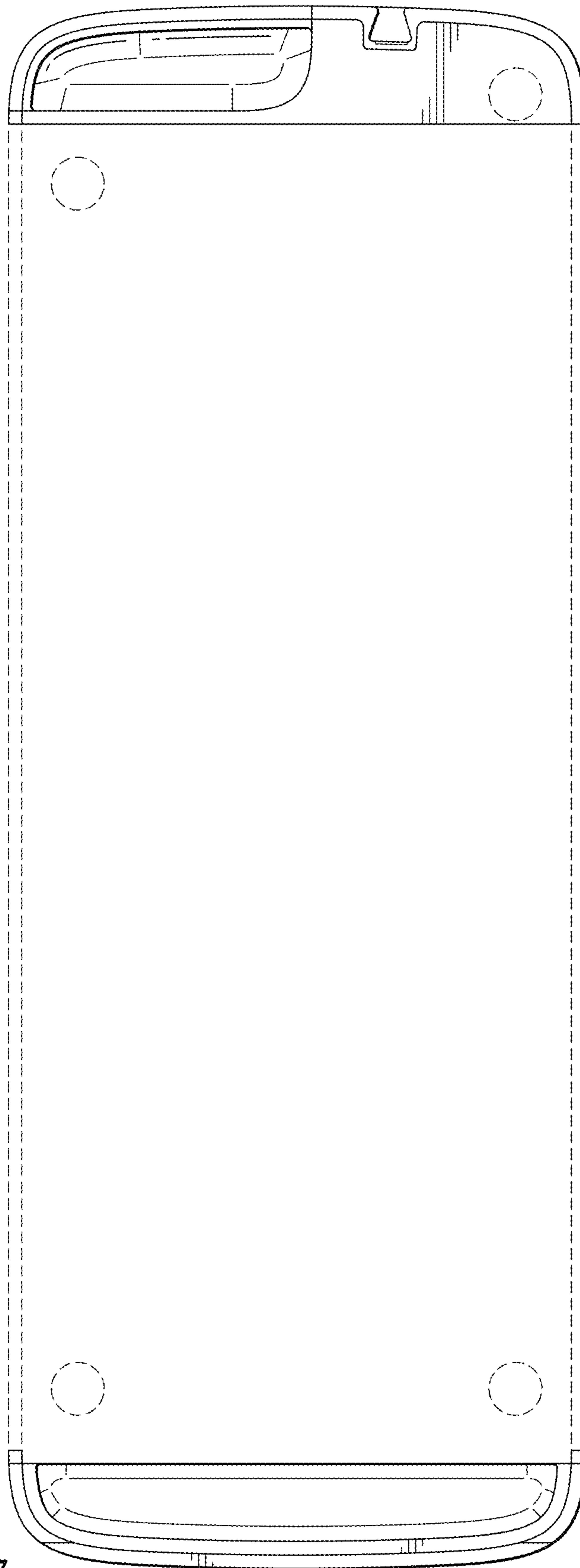


FIG. 7



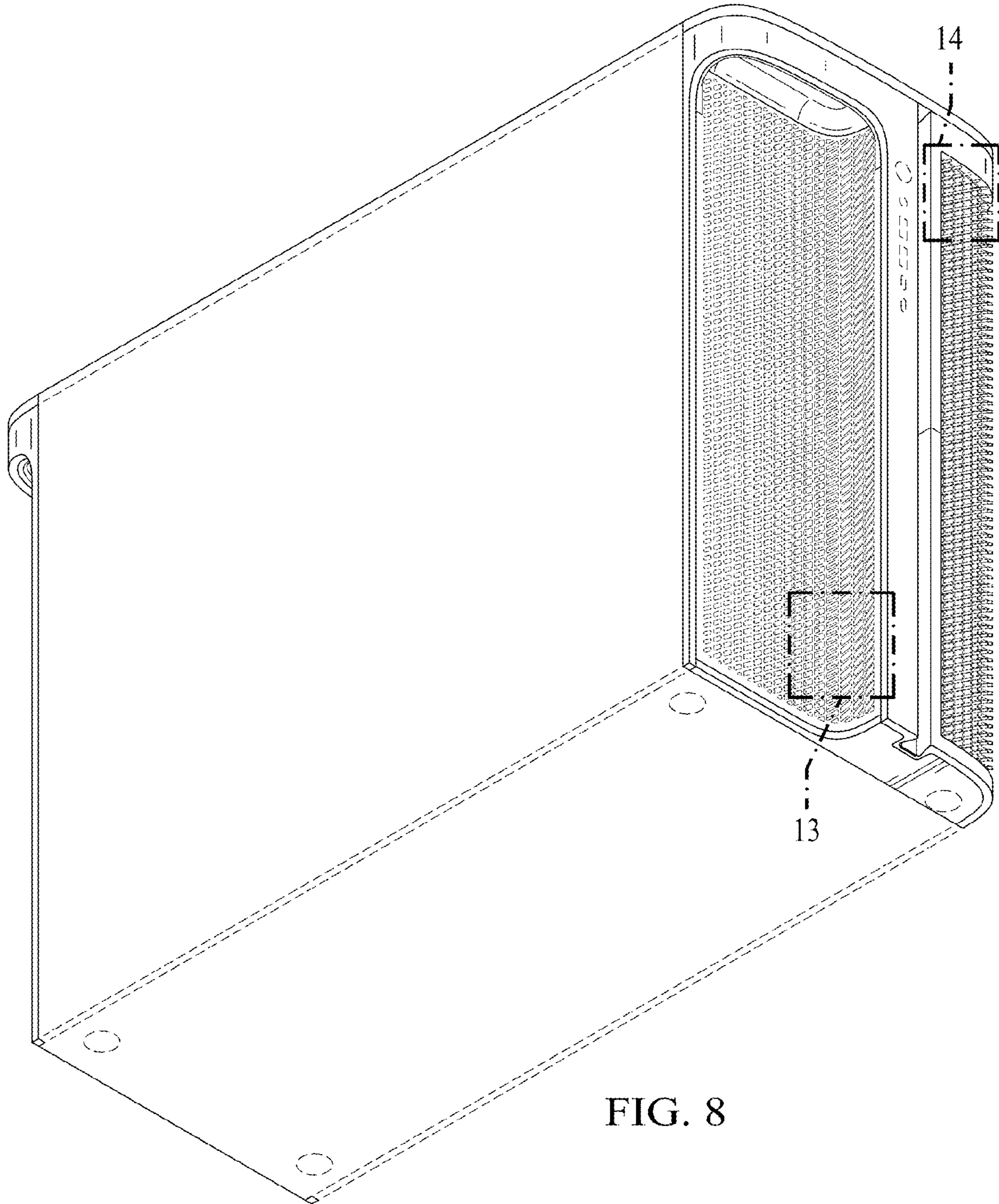


FIG. 8

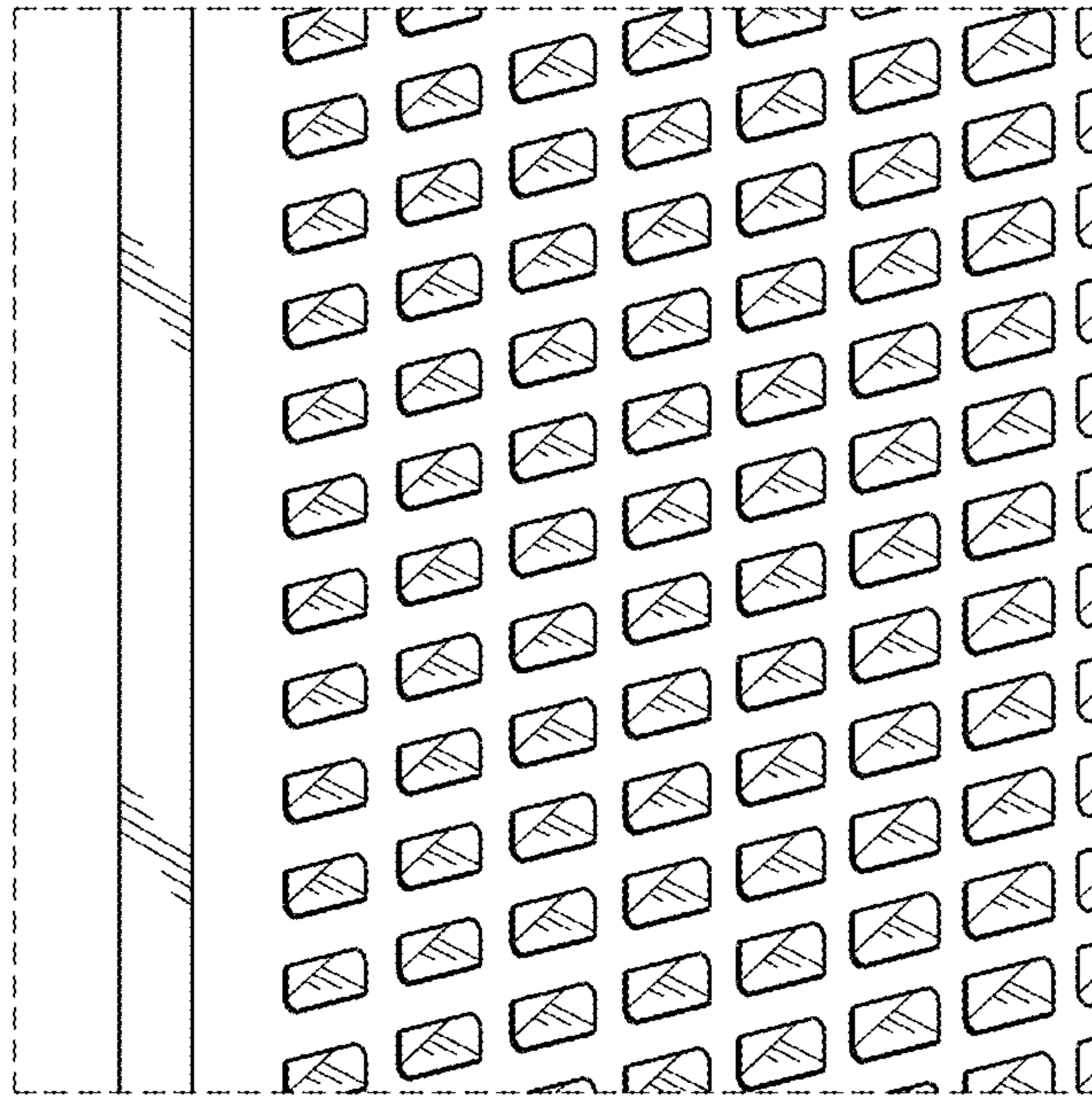


FIG. 9

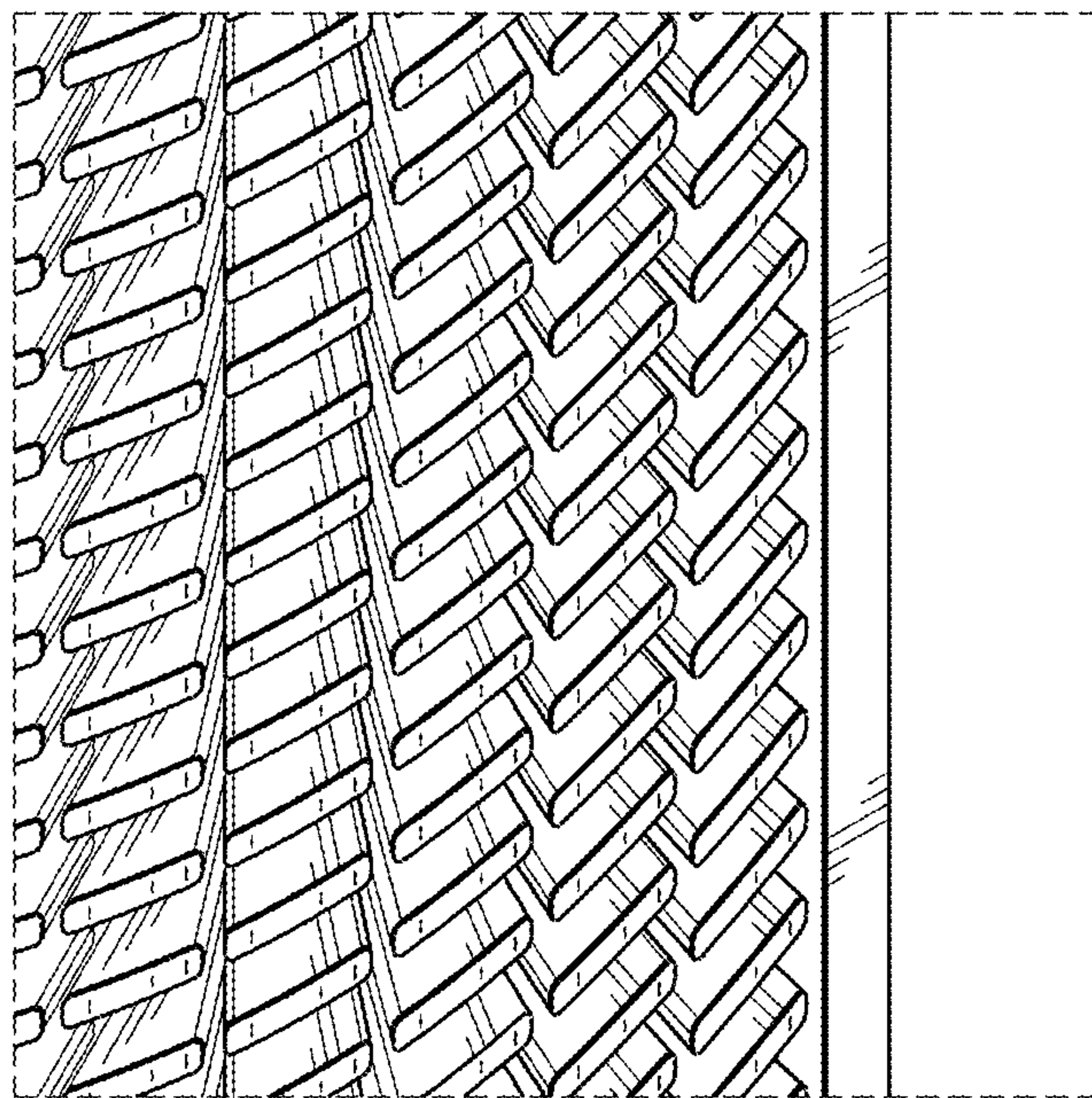


FIG. 10



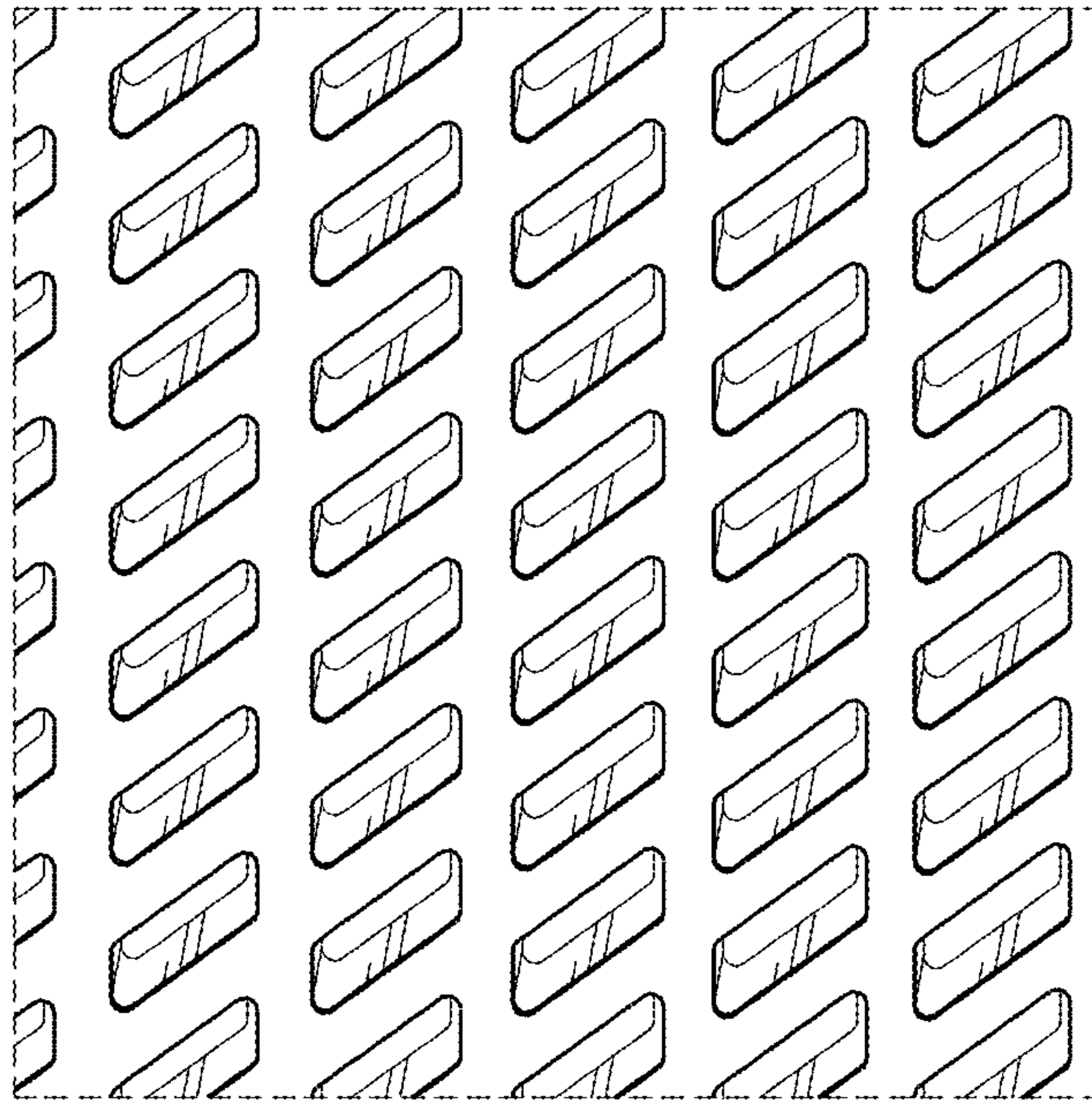


FIG. 11

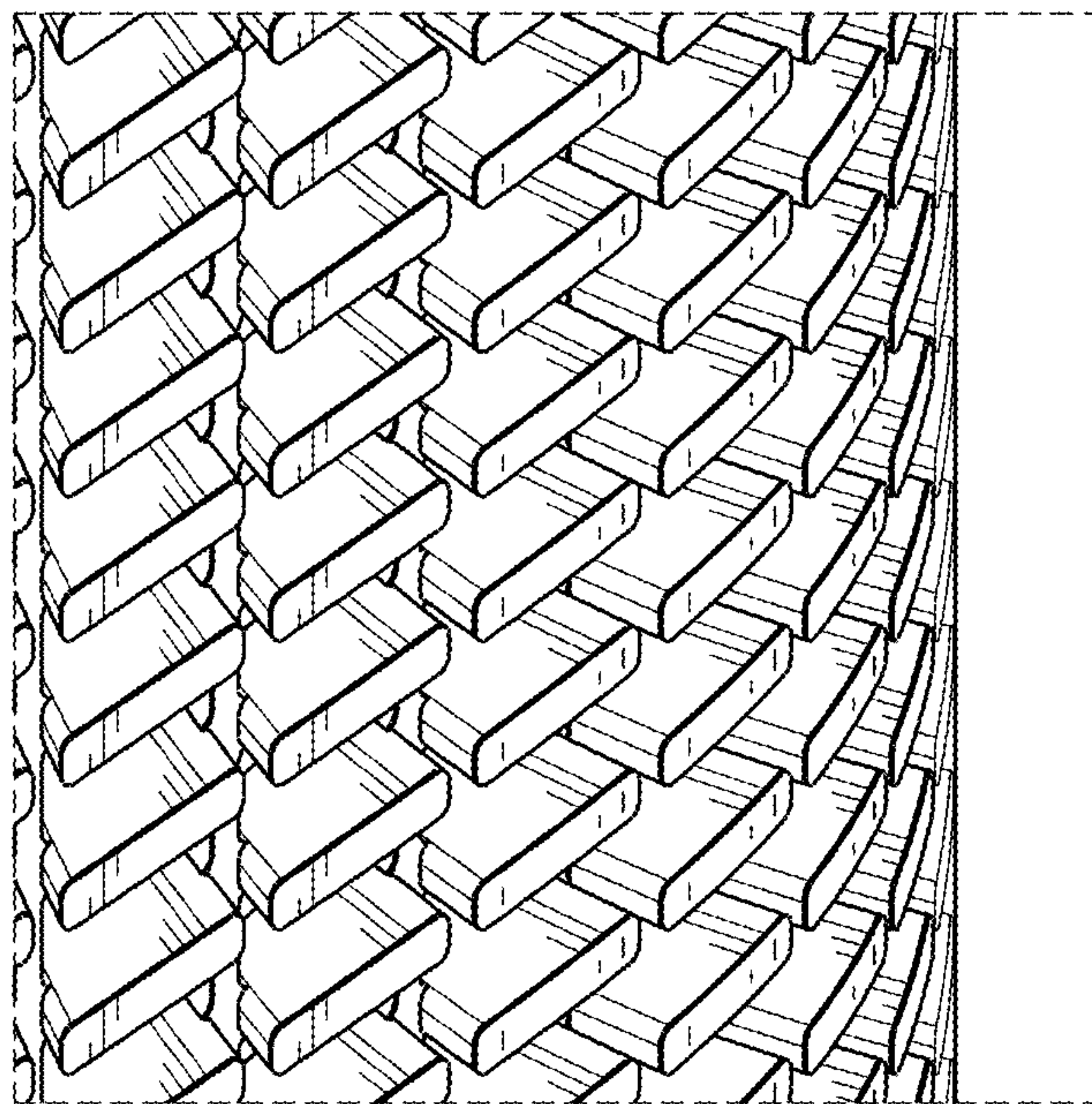


FIG. 12



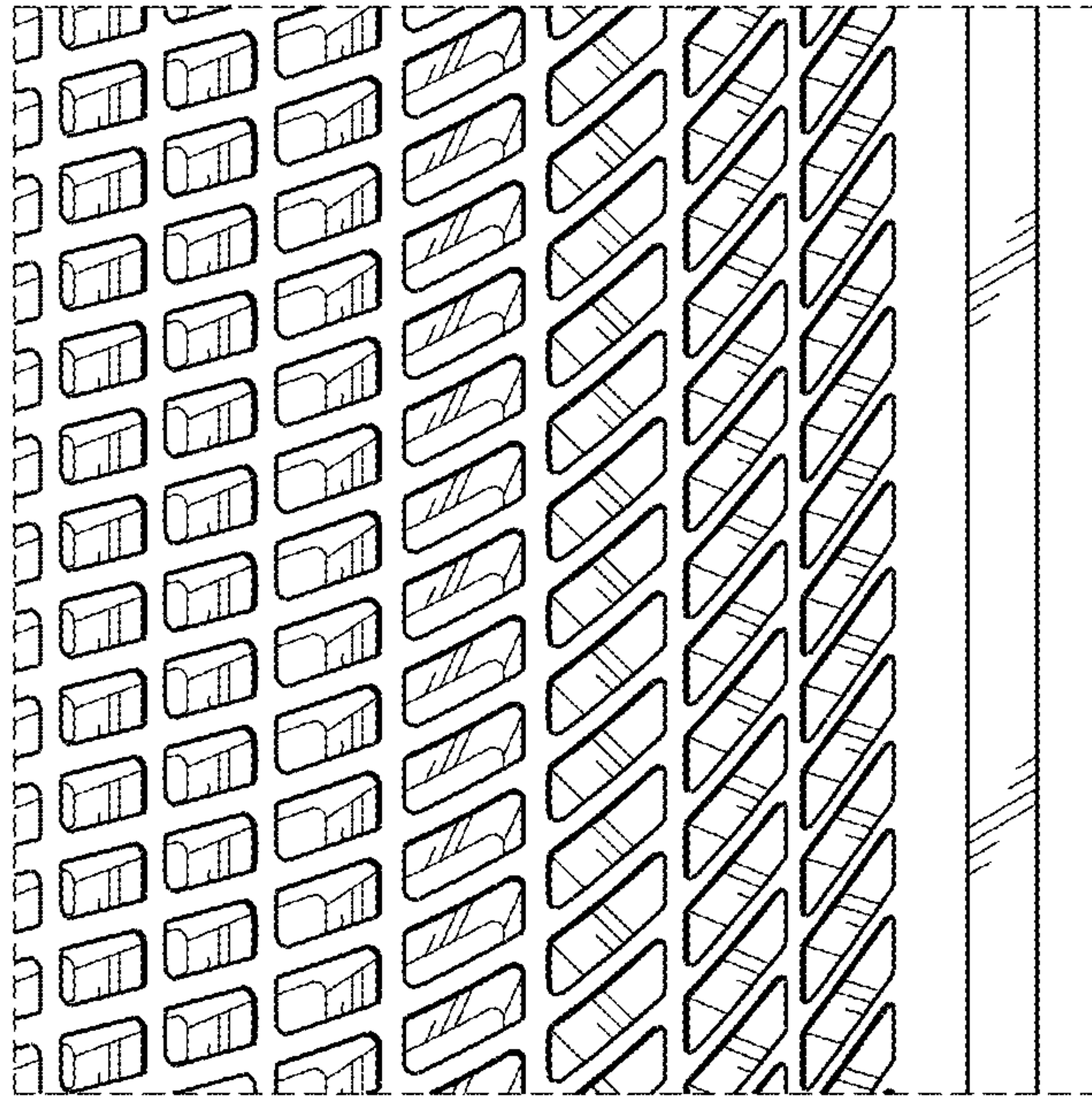


FIG. 13

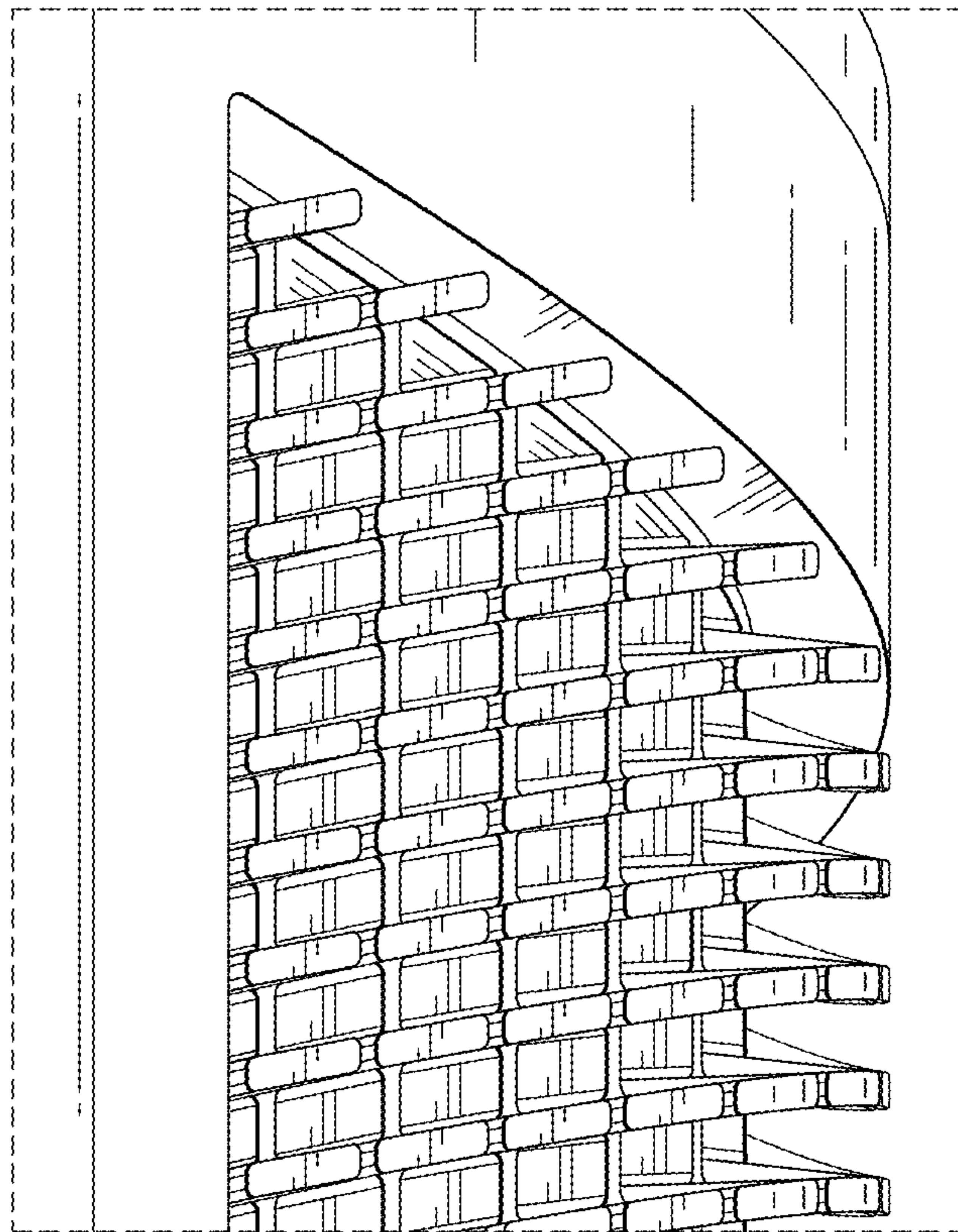


FIG. 14