



US00D934861S

(12) **United States Design Patent** (10) **Patent No.:** **US D934,861 S**
Tsao (45) **Date of Patent:** **** Nov. 2, 2021**

(54) **DESKTOP COMPUTER**
(71) Applicant: **Acer Incorporated**, New Taipei (TW)
(72) Inventor: **Jung-Wei Tsao**, New Taipei (TW)
(73) Assignee: **Acer Incorporated**, New Taipei (TW)
(**) Term: **15 Years**
(21) Appl. No.: **29/708,439**
(22) Filed: **Oct. 7, 2019**

(30) **Foreign Application Priority Data**

Jun. 25, 2019 (TW) 108303754
(51) **LOC (13) Cl.** **14-02**
(52) **U.S. Cl.**
USPC **D14/350**
(58) **Field of Classification Search**
USPC D14/300-304, 308-314, 328, 348-370,
D14/388, 432, 435, 439-446, 450,
D14/479-483, 140.1-140.4, 164, 193,
D14/500-502, 257-258, 265, 447;
D13/184; D8/375; D3/255, 259, 271.12,
D3/276, 279, 281, 315, 318; D34/24, 27
CPC G06F 1/16; G06F 1/1628; G06F 1/181;
H05K 7/00; H05K 7/18; H05K 7/14;
H05K 5/00; H05K 5/0004; H05K 5/0008;
H05K 5/0021; H05K 5/0213; H05K
5/012; H05K 5/0234; H05K 5/0243
See application file for complete search history.

(56) **References Cited**

U.S. PATENT DOCUMENTS

D241,513 S * 9/1976 Fontana D8/375
D272,870 S * 3/1984 Miles D3/279
D286,705 S * 11/1986 Miles D3/279
D293,111 S * 12/1987 Nezu D14/311
D310,450 S * 9/1990 Castelli D3/279

D314,760 S * 2/1991 Horie D14/350
D322,359 S * 12/1991 Diefenbach D3/279
D323,244 S * 1/1992 Dallaire D3/279
D327,170 S * 6/1992 Maloney D3/279
D337,434 S * 7/1993 Fukuda D3/279
D339,917 S * 10/1993 Pedlar D3/279
D344,072 S * 2/1994 Bates D14/311
D347,162 S * 5/1994 Simonsen D8/375
D358,132 S * 5/1995 Kimbrough D14/350
D372,464 S * 8/1996 Wetzel D14/364
D410,777 S * 6/1999 Pizzi D3/279
D410,899 S * 6/1999 Alo D14/350
D413,587 S * 9/1999 Alo D14/311

(Continued)

OTHER PUBLICATIONS

Lian Li PC-V1000 computer case, posted at Dan's Data, posting date Dec. 3, 2011. Site visited Jun. 14, 2021. URL: <<http://www.dansdata.com/pcv1000.htm>> (Year: 2011).*

(Continued)

Primary Examiner — Kathleen L Jones
(74) *Attorney, Agent, or Firm* — JCIPRNET

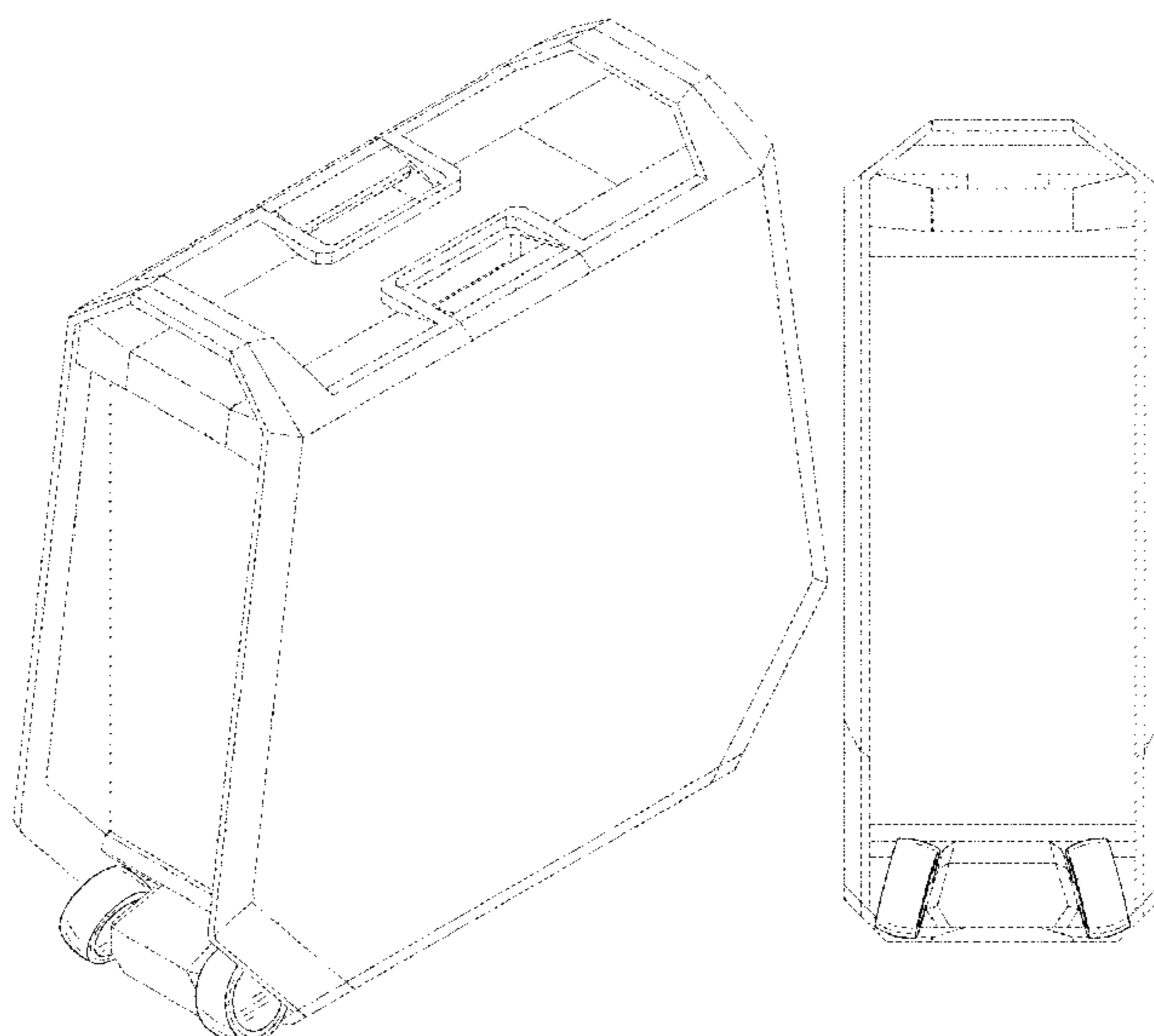
(57) **CLAIM**

The ornamental design for a desktop computer, as shown and described.

DESCRIPTION

FIG. 1 is a perspective view of a desktop computer showing my new design;
FIG. 2 is another perspective view thereof;
FIG. 3 is a front view thereof;
FIG. 4 is a rear view thereof;
FIG. 5 is a left side view thereof;
FIG. 6 is a right side view thereof;
FIG. 7 is a top view thereof; and,
FIG. 8 is a bottom view thereof.
The broken lines illustrating portions of the desktop computer form no part of the claimed design.

1 Claim, 6 Drawing Sheets



(56)

References Cited

U.S. PATENT DOCUMENTS

D432,098 S * 10/2000 Nelson D13/184
 6,178,086 B1 * 1/2001 Sim G06F 1/181
 312/223.2
 D468,308 S * 1/2003 Murphy D14/350
 D481,512 S * 10/2003 Lee B62B 1/12
 D34/24
 D483,943 S * 12/2003 Ferrara, Jr. D3/255
 D484,502 S * 12/2003 Umezawa D14/311
 D637,069 S * 5/2011 Venne D8/375
 D641,612 S * 7/2011 Magill D8/375
 D675,018 S * 1/2013 Roberts D3/279
 D710,101 S * 8/2014 Wu D3/279
 D731,297 S * 6/2015 Bitterlich D8/375
 D818,070 S * 5/2018 Pang D21/765
 D831,143 S * 10/2018 Sato D21/765
 D841,332 S * 2/2019 Karl D3/318

D846,267 S * 4/2019 Lian D3/217
 D863,298 S * 10/2019 Tu D14/350
 D864,571 S * 10/2019 Mei D3/318
 D873,001 S * 1/2020 Alvarez D3/274
 10,774,981 B1 * 9/2020 McCall F16M 11/42
 2008/0238013 A1 * 10/2008 Woodall A63C 17/226
 280/87.042
 2009/0256325 A1 * 10/2009 Dickie A63C 17/22
 280/87.042
 2018/0132822 A1 * 5/2018 Stankard A61B 8/4405

OTHER PUBLICATIONS

Syba Mobile Desktop Tower Computer Metal Floor Stand, posted at Amazon, posting date Dec. 9, 2011. Site visited Jun. 14, 2021. URL: <<https://www.amazon.com/Syba-Desktop-Computer-Ventilation-Adjustable/dp/B006V9AUMC>> (Year: 2011).*

* cited by examiner

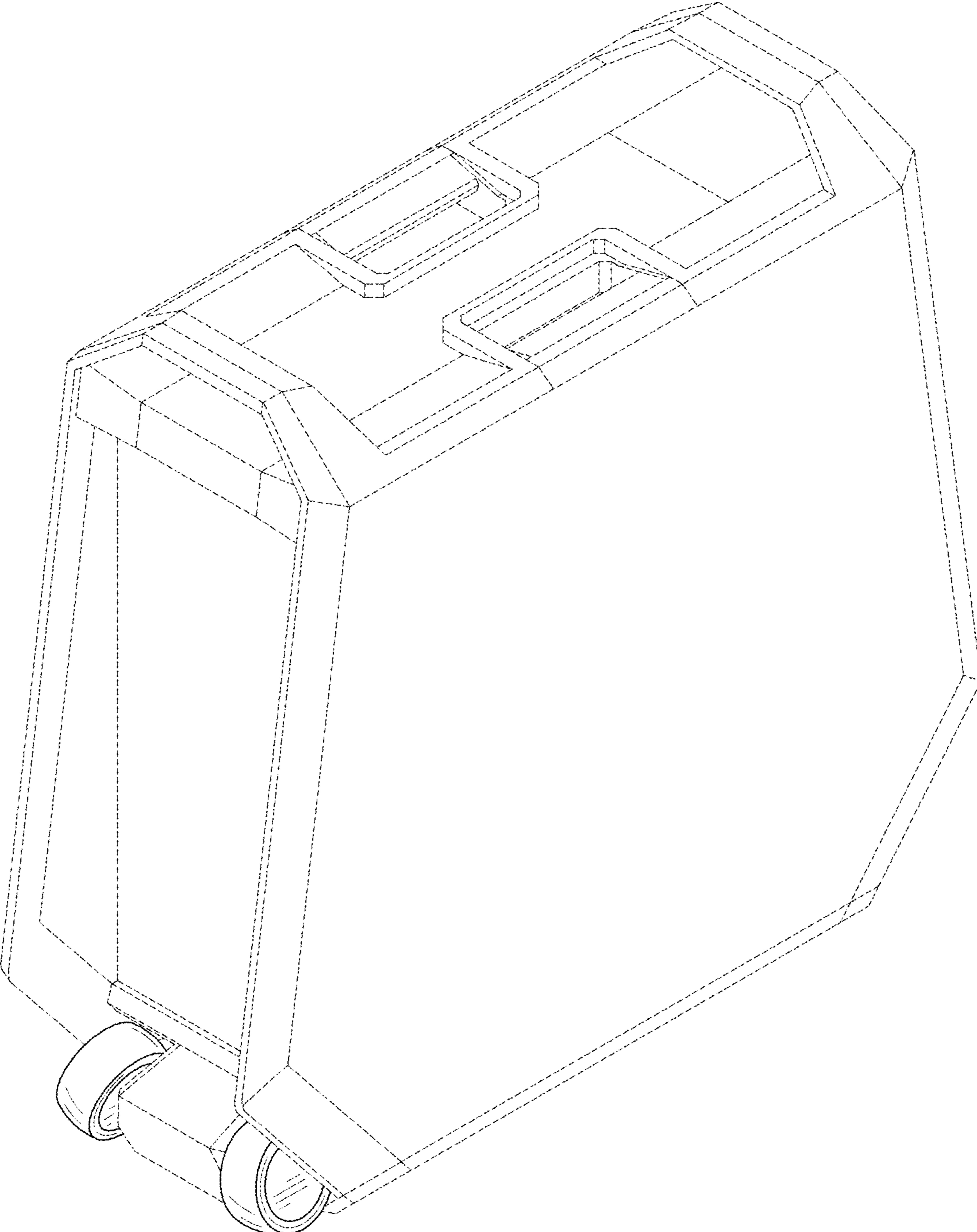


FIG. 1

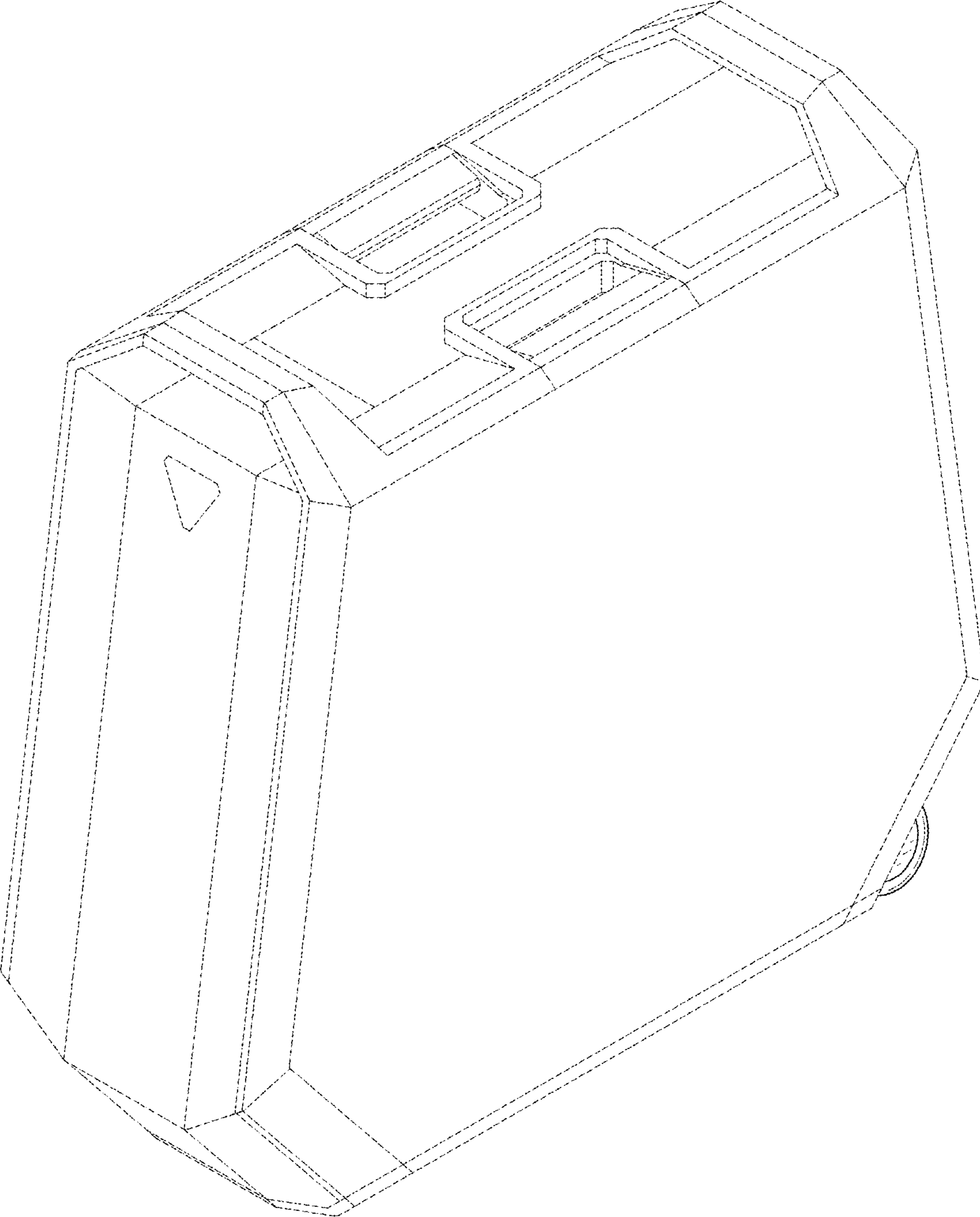


FIG. 2

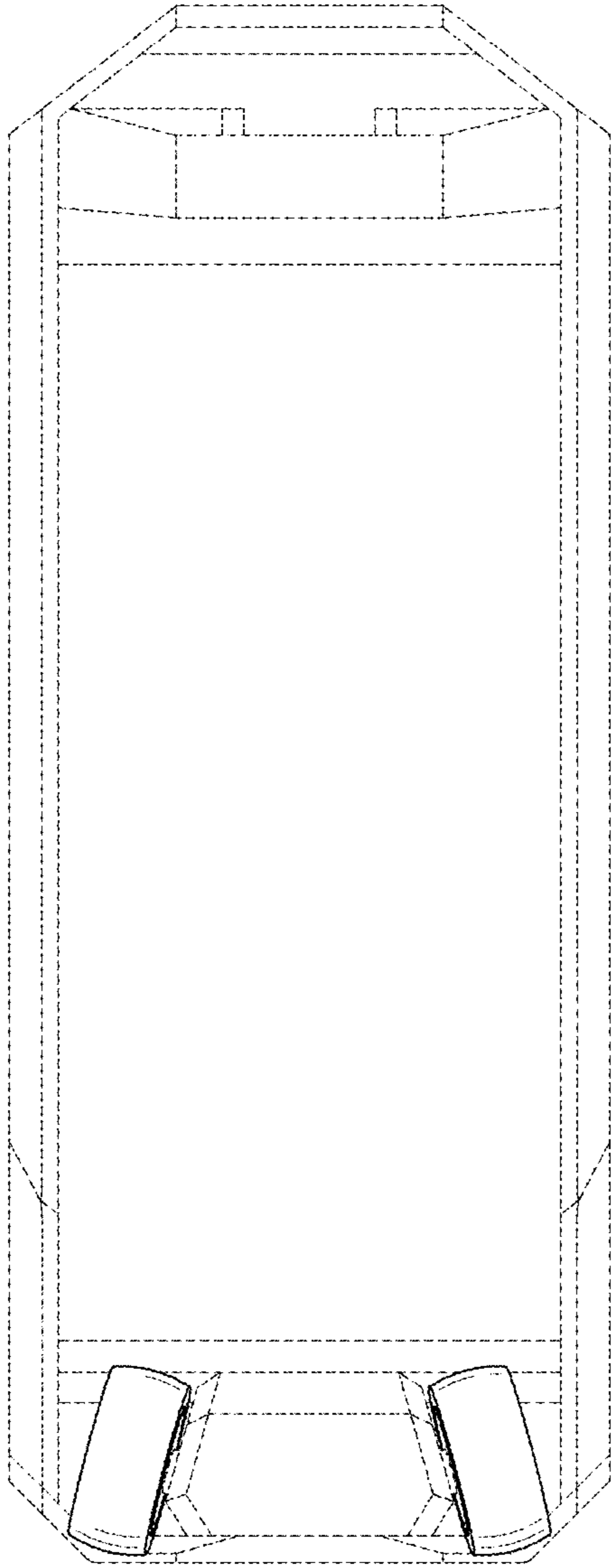


FIG. 3

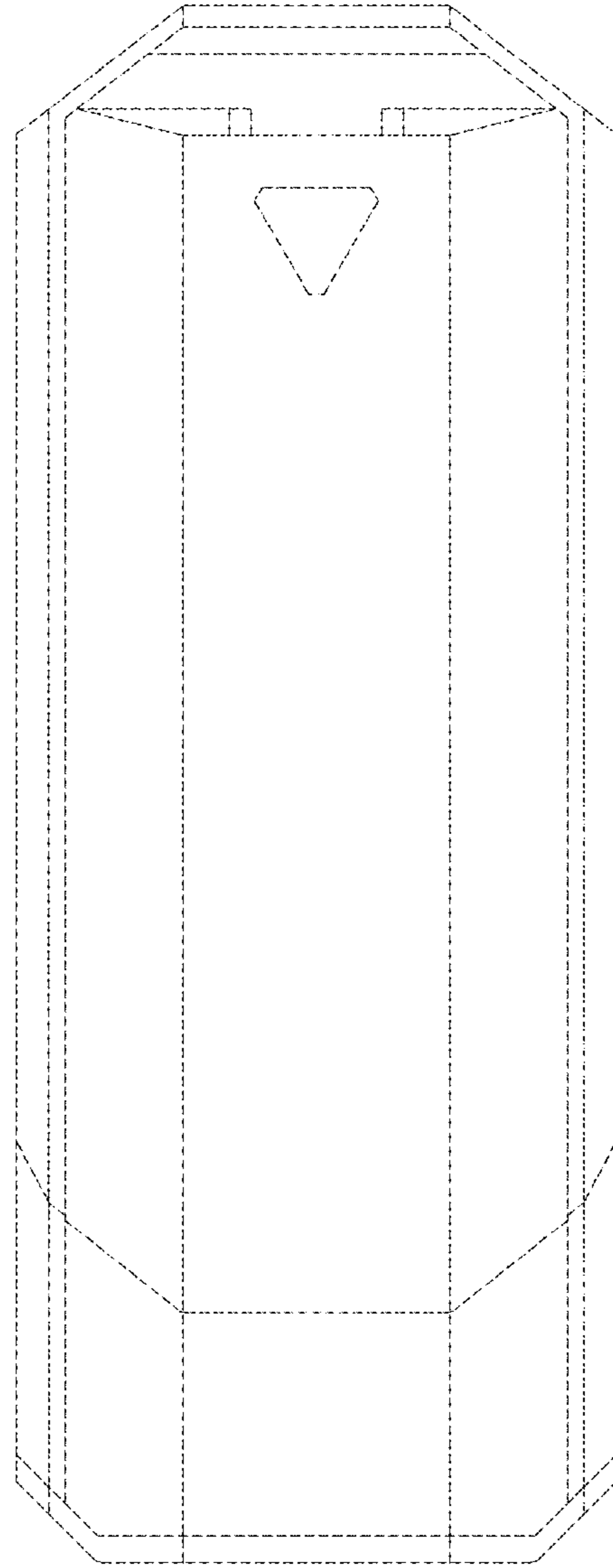


FIG. 4

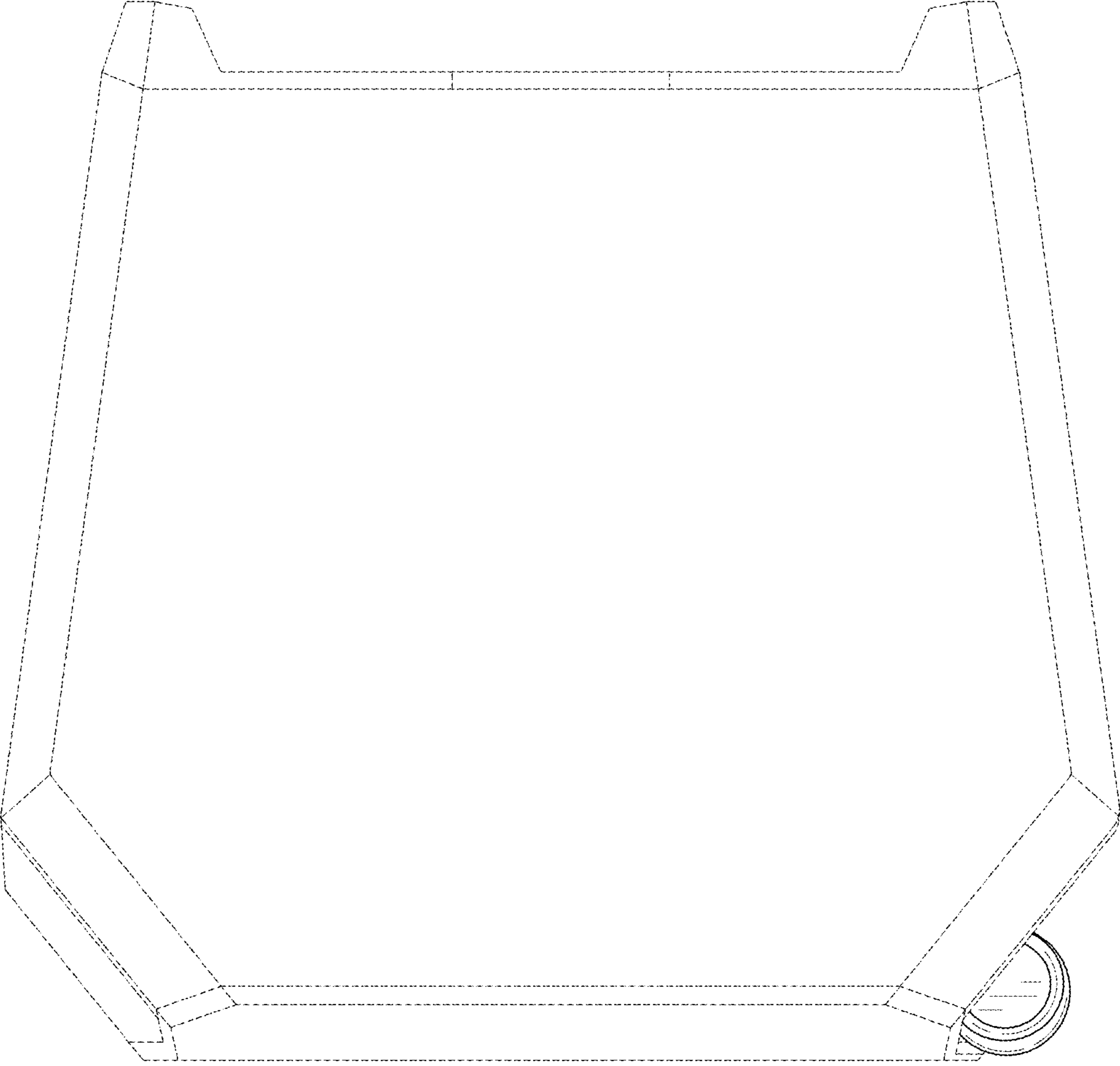


FIG. 5

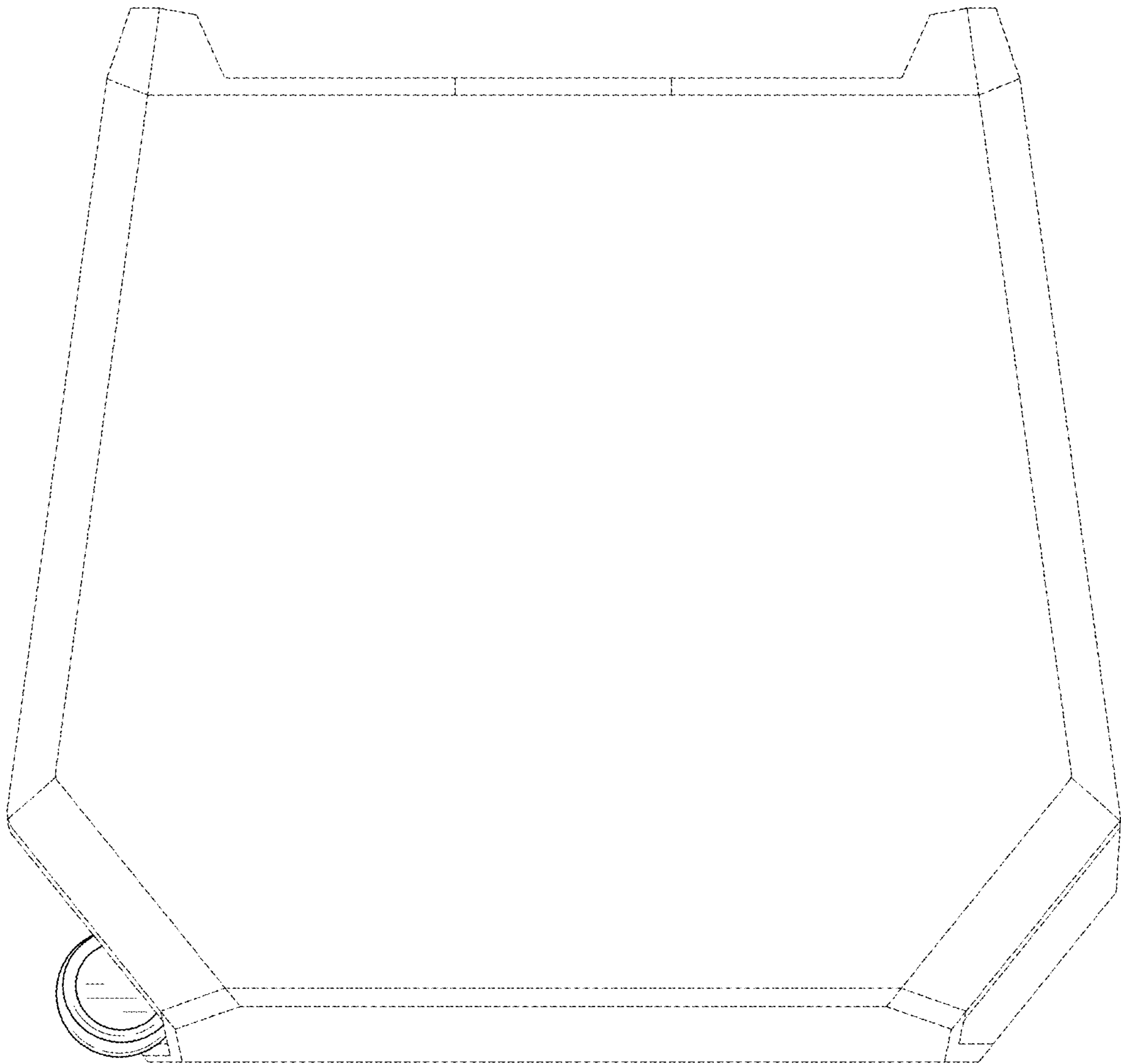


FIG. 6

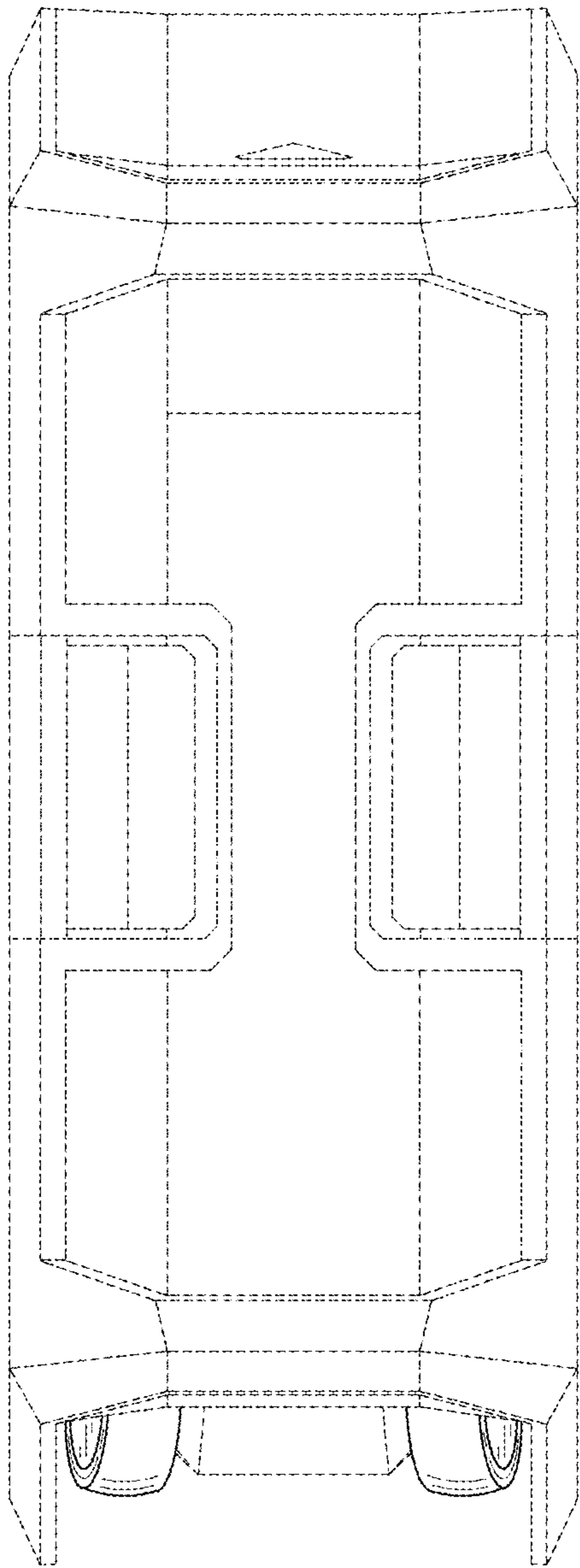


FIG. 7

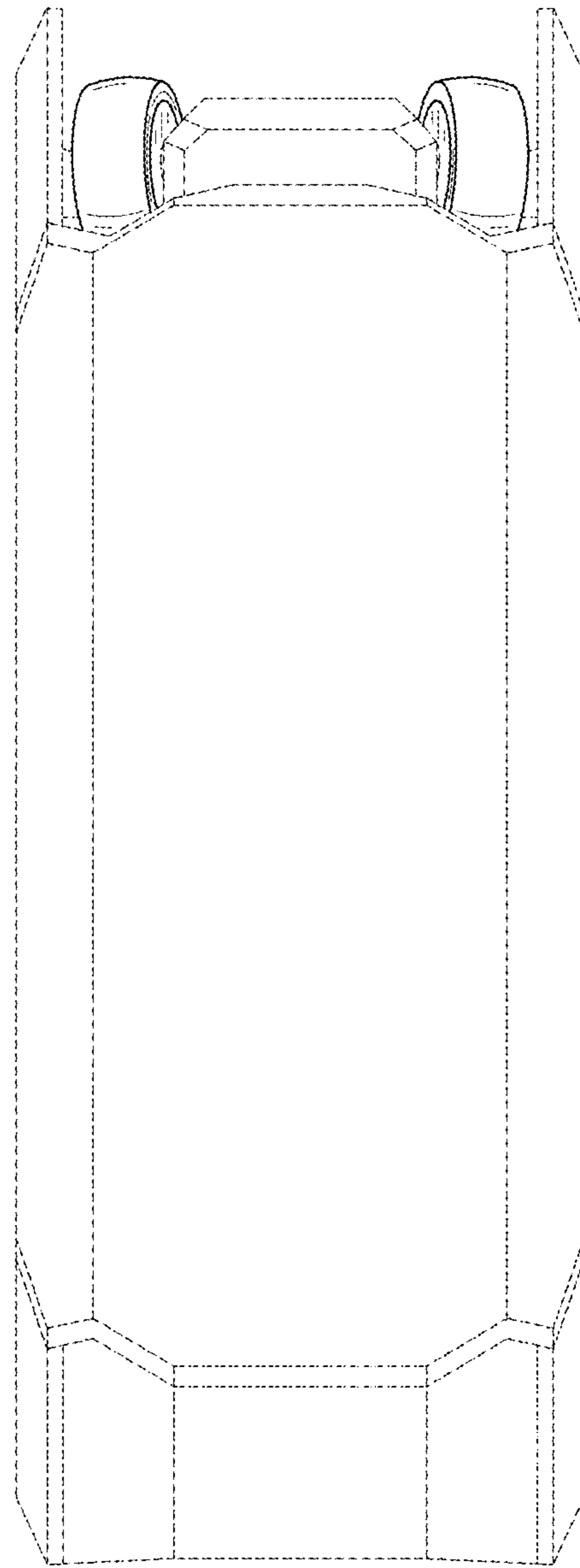


FIG. 8