



US00D934859S

(12) **United States Design Patent** (10) **Patent No.:** **US D934,859 S**
Christelis et al. (45) **Date of Patent:** **** Nov. 2, 2021**

(54) **CAR SHARE ELECTRONIC COMMUNICATION DEVICE**

(71) Applicant: **Geotab Inc.**, Oakville (CA)

(72) Inventors: **Marc James Christelis**, Mississauga (CA); **Sajjad Karimi**, Mississauga (CA); **David Bassem G E Saweris**, Mississauga (CA)

(73) Assignee: **Geotab Inc.**, Oakville (CA)

(**) Term: **15 Years**

(21) Appl. No.: **29/714,928**

(22) Filed: **Nov. 26, 2019**

(51) **LOC (13) Cl.** **14-02**

(52) **U.S. Cl.**
USPC **D14/341**

(58) **Field of Classification Search**
USPC 206/1.5, 307, 308.2, 387.11; 360/131, 360/134, 137, 132; 242/348, 354, 358, 242/388.1, 343.2, 345.2, 347, 376, 377, 242/382, 382.6, 385, 899, 262; D10/121, D10/132, 65, 70; D14/217, 299, 300, D14/315-327, 161-164, 214, 240, 250, D14/332, 336, 348, 385, 391-399, D14/447-448, 450, 474-478, 483, 496, D14/507, 239, 457, 451-452, 439-440, D14/434, 432, 341; D25/119; D8/330, D8/336, 346, 349, 363, 364, 303, 339; D18/1-2, 7; D6/632-634
CPC G06F 1/1601; G06F 1/1616; G06F 1/1633; G06F 1/1652; G06F 1/1681; G06F 1/1613; G06F 1/1628; G06F 1/1626; G06F 1/669; H05K 5/0004; H05K 5/0017; H05K 5/0021; H05K 5/0043; H05K 5/0047; H05K 5/0052; A47B 23/044; H04B 1/3888

See application file for complete search history.

(56) **References Cited**

U.S. PATENT DOCUMENTS

D253,281 S * 10/1979 Kim D10/121
D606,542 S * 12/2009 Lu D14/240
D616,773 S * 6/2010 Hou D10/65
D647,087 S * 10/2011 Chen D14/348

(Continued)

OTHER PUBLICATIONS

Geotab Keyless: Solution Overview, first available Oct. 15, 2020, youtube.com, [online], [site visited Apr. 28, 2021], Available from internet URL: <https://www.youtube.com/watch?v=Pr7YdjxvzFk> (Year: 2020).*

Geotab keyless integration with fleetster, fleetster.net, [online], [site visited Apr. 28, 2021], Available from internet URL: <https://www.fleetster.net/news/geotab-keyless-integrated-with-fleetster> (Year: 2021).*

(Continued)

Primary Examiner — Christian P. McLean
Assistant Examiner — Holly M Rodriguez
(74) *Attorney, Agent, or Firm* — Wolf, Greenfield & Sacks, P.C.

(57) **CLAIM**

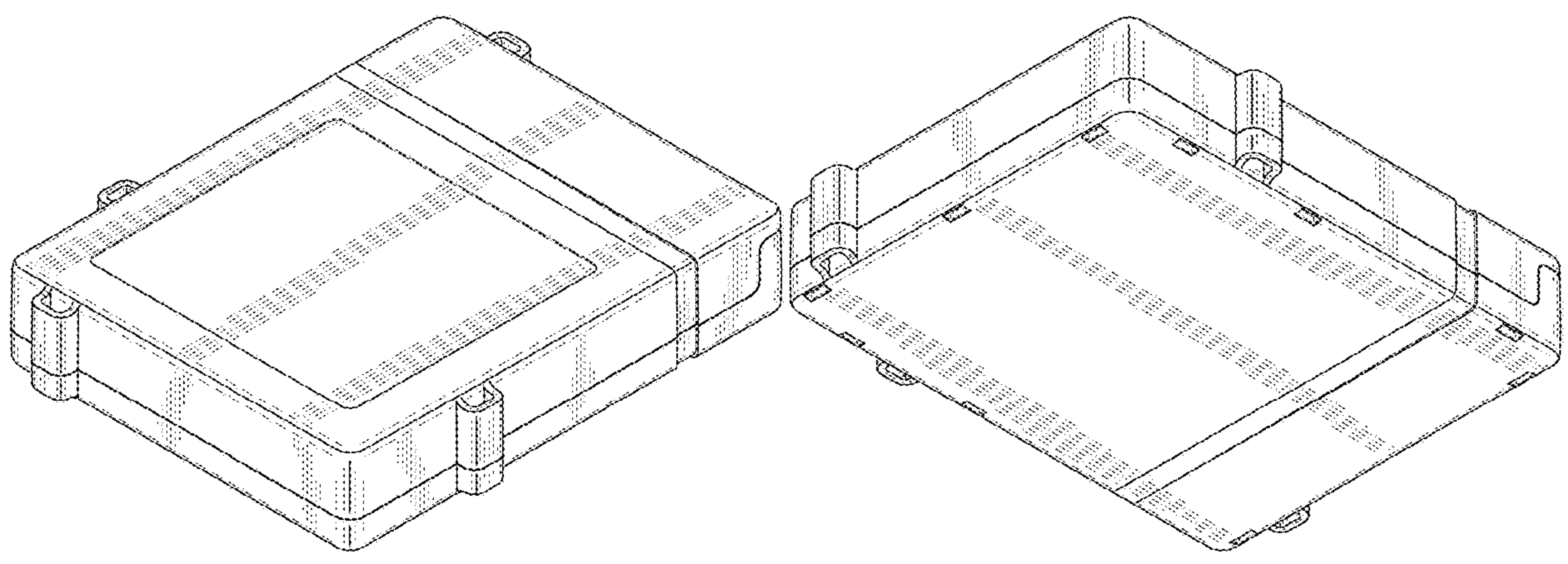
The ornamental design for a car share electronic communication device, as shown and described.

DESCRIPTION

FIG. 1 is a top, front, right side perspective view of a car share electronic communication device;
FIG. 2 is a bottom, front, left side perspective view thereof;
FIG. 3 is a bottom, rear, right side perspective view thereof;
FIG. 4 is a top, rear, left side perspective view thereof;
FIG. 5 is a top plan view thereof;
FIG. 6 is a bottom plan view thereof;
FIG. 7 is a left side elevation view thereof;
FIG. 8 is a right side elevation view thereof;
FIG. 9 is a rear elevation view thereof; and,
FIG. 10 is a front elevation view thereof.

The dash-dash broken lines show portions of the car share electronic communication device that form no part of the claimed design.

1 Claim, 4 Drawing Sheets



(56)

References Cited

U.S. PATENT DOCUMENTS

D718,752 S * 12/2014 Wang D14/240
D727,765 S * 4/2015 Hoshal D10/83
D750,605 S * 3/2016 Abdul-Hadi D14/240
D782,476 S * 3/2017 Yamazaki D14/358
D797,712 S * 9/2017 Chang D14/240
10,638,625 B2 * 4/2020 Jang G06F 1/187
2002/0171977 A1 * 11/2002 Rudi G11B 23/087
360/132
2010/0059617 A1 * 3/2010 Takenoshita G11B 23/027
242/348.3
2021/0052756 A1 * 2/2021 Kim F21V 33/0052

OTHER PUBLICATIONS

2020 Positive GPS Tracker—Rapid Tracking, first available Jan. 24, 2020, amazon.com, [online], [site visited May 6, 2021], Available from internet URL: https://www.amazon.com/New-Positive-Tracker-Super-Capacity-USB-Chargeable/dp/B08462J13P/ref=pd_di_sccai_3?pd_rd_w=2Luau&pf_rd_p=c944%E2%80%A6 (Year: 2020).*

TrackmateGPS BOLT LTE 4G Waterproof Magnet Mount GPS Tracker, first available Dec. 11, 2020, amazon.com, [online], [site visited May 6, 2021], Available from internet URL: https://www.amazon.com/TrackmateGPS-Waterproof-Equipment-Containers-contract/dp/B08QDKDFY9/ref=pd_di_sccai_33?pd_rd_w=2Luau&pf_rd_p% (Year: 2020).*

X1 Multi-functional Vehicle GPS Tracker, gpsoneplus.com [online], [site visited May 6, 2021], Available from internet URL: <https://www.gpsoneplus.com/product/x1-multi-functional-vehicle-gps-tracker> (Year: 2021).*

* cited by examiner

FIG. 1

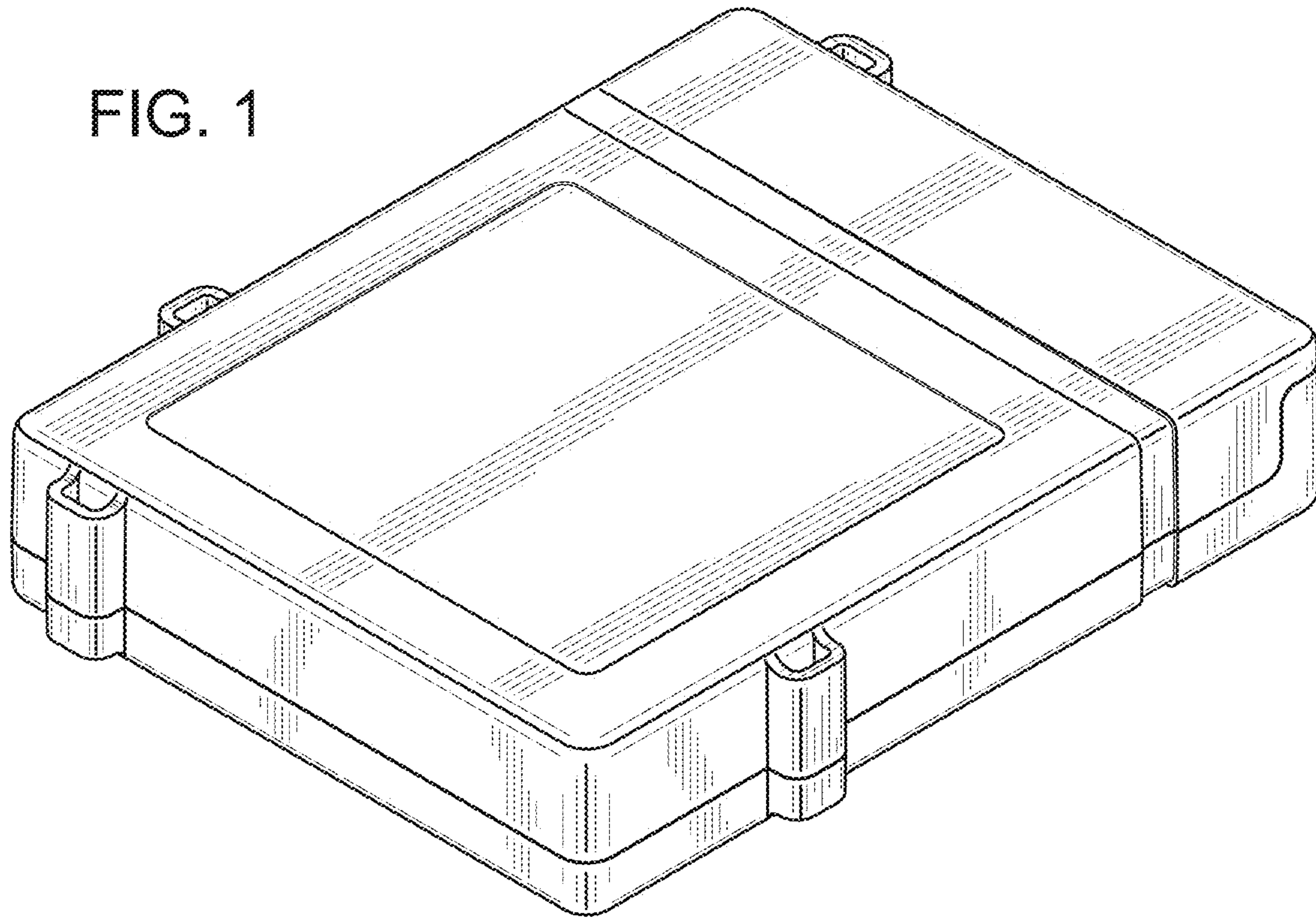


FIG. 2

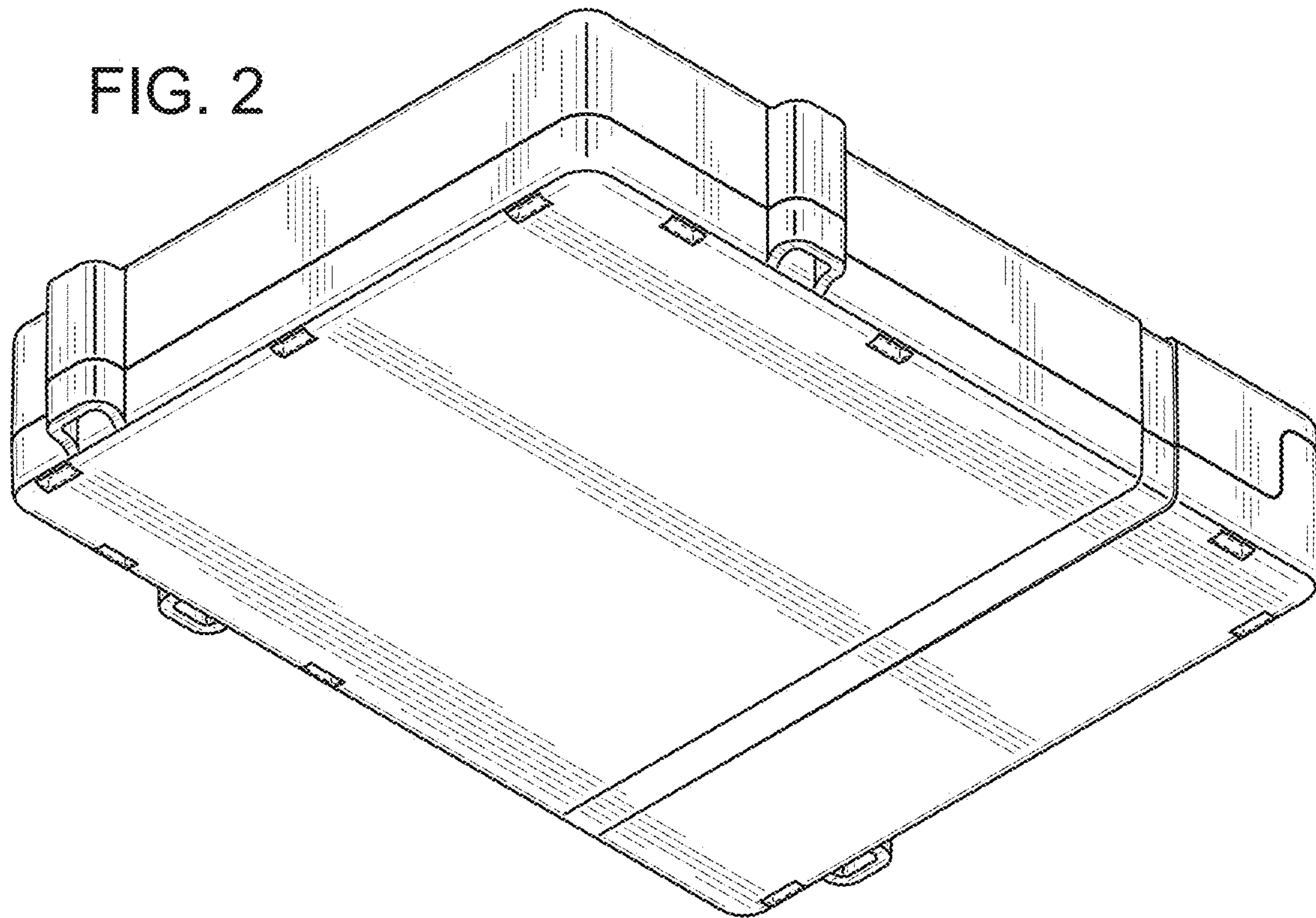


FIG. 3

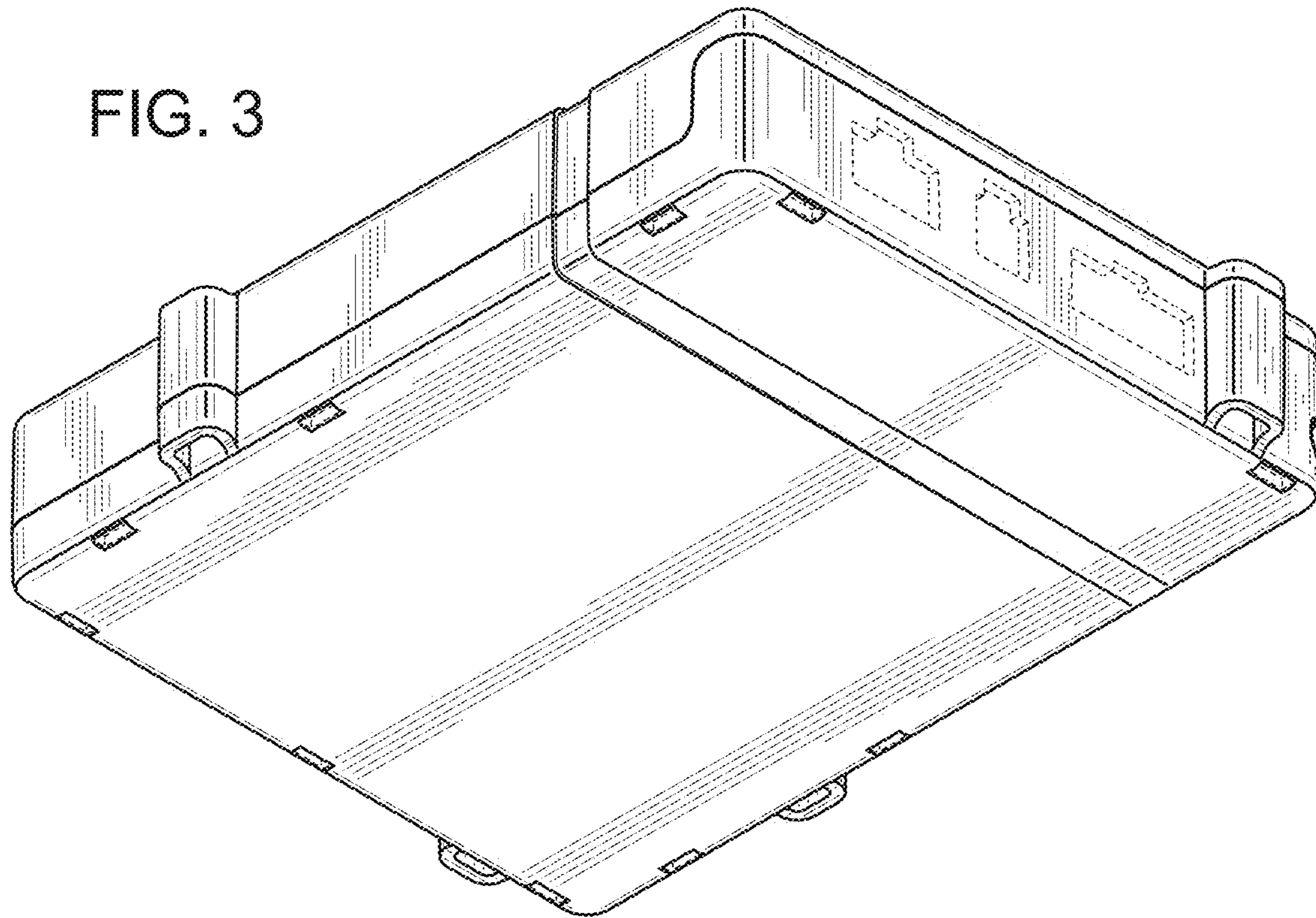


FIG. 4

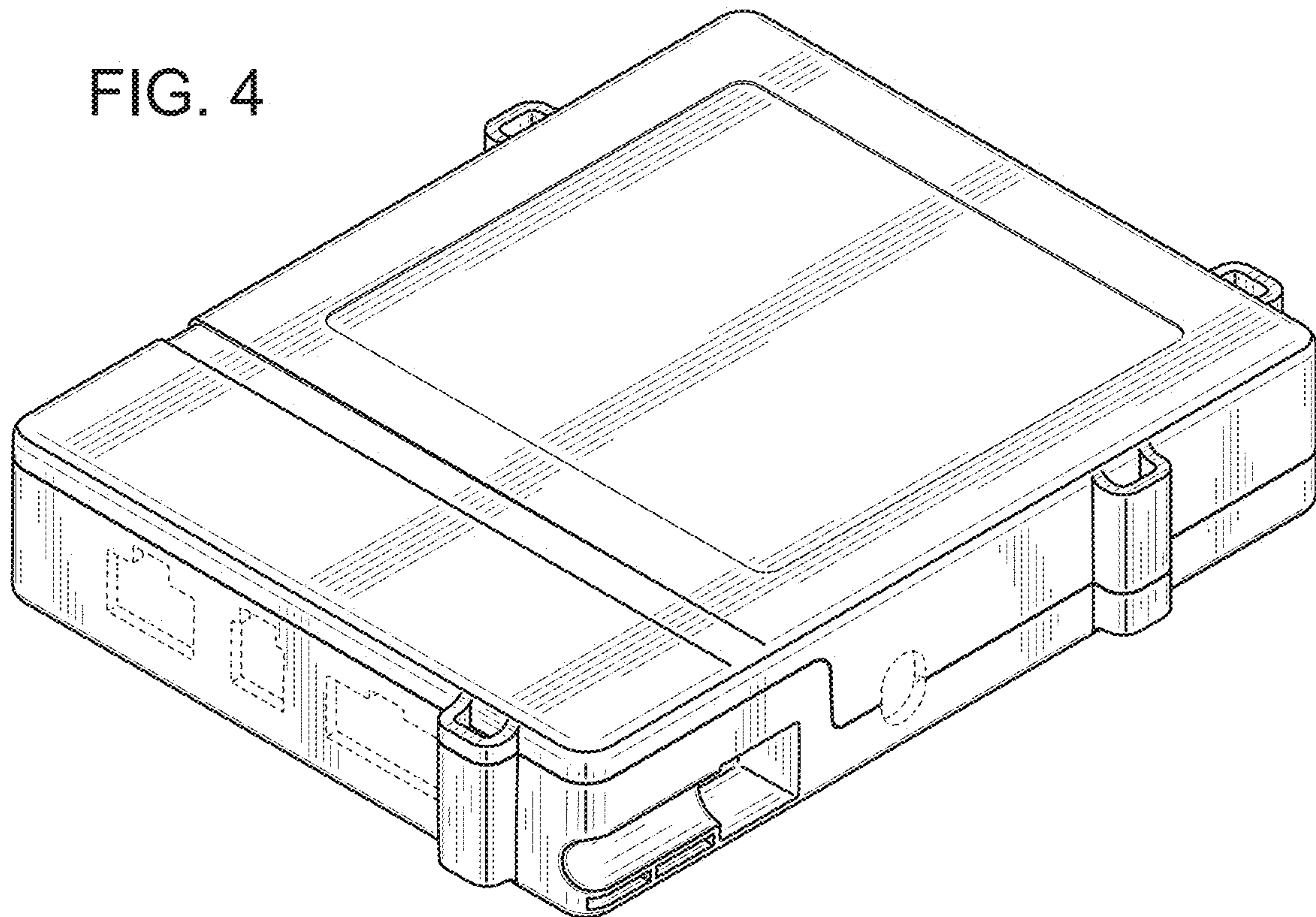


FIG. 6

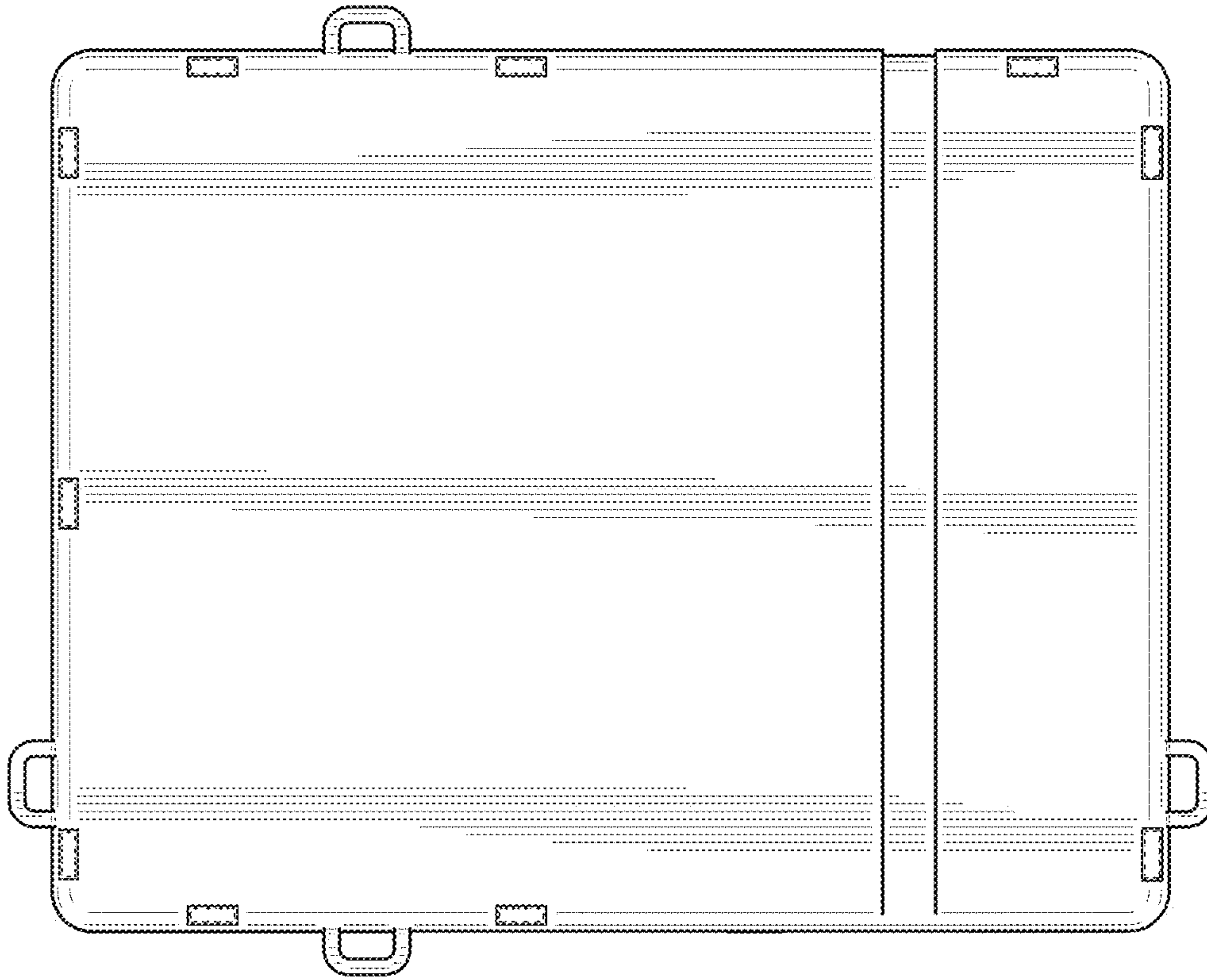


FIG. 5

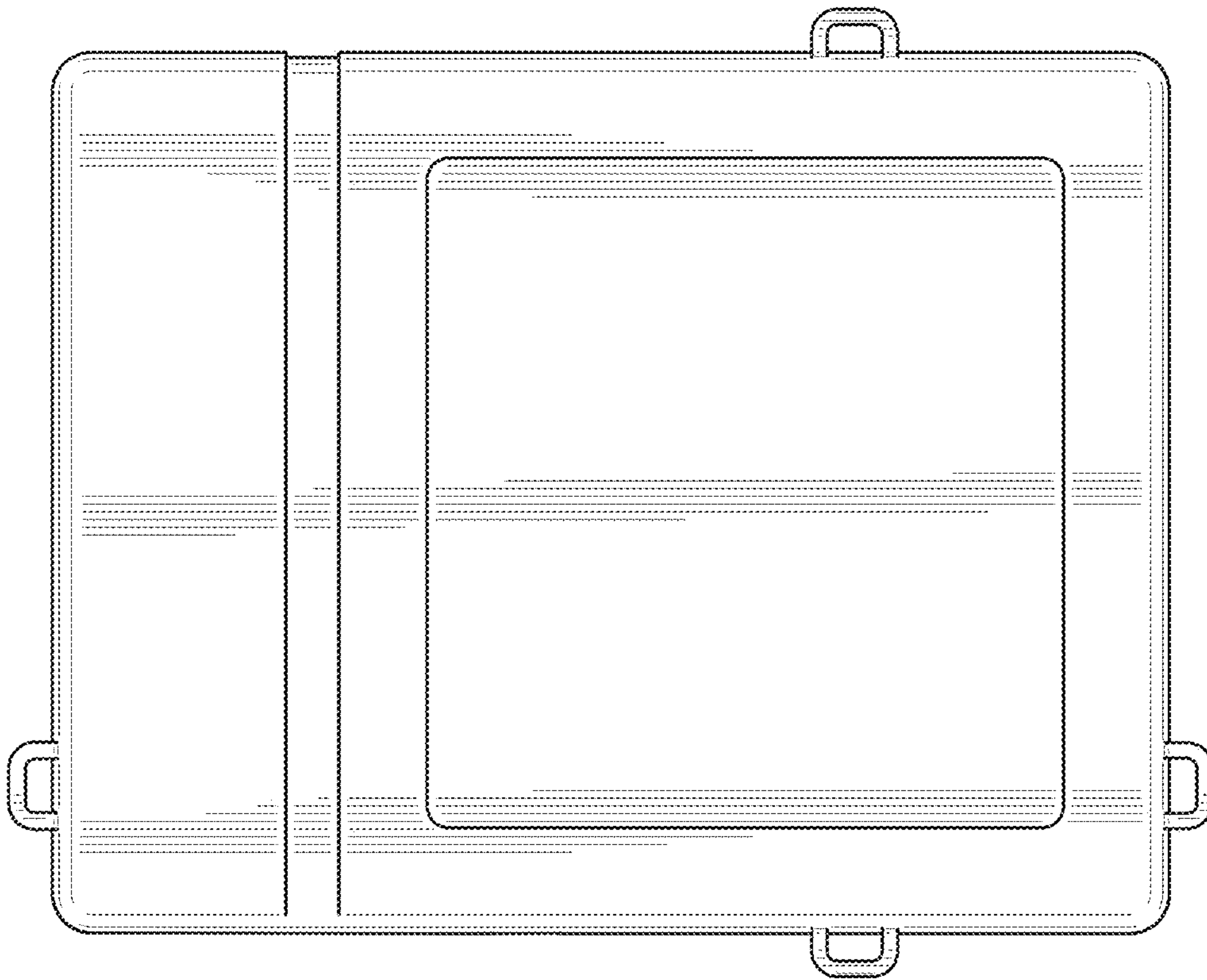


FIG. 7

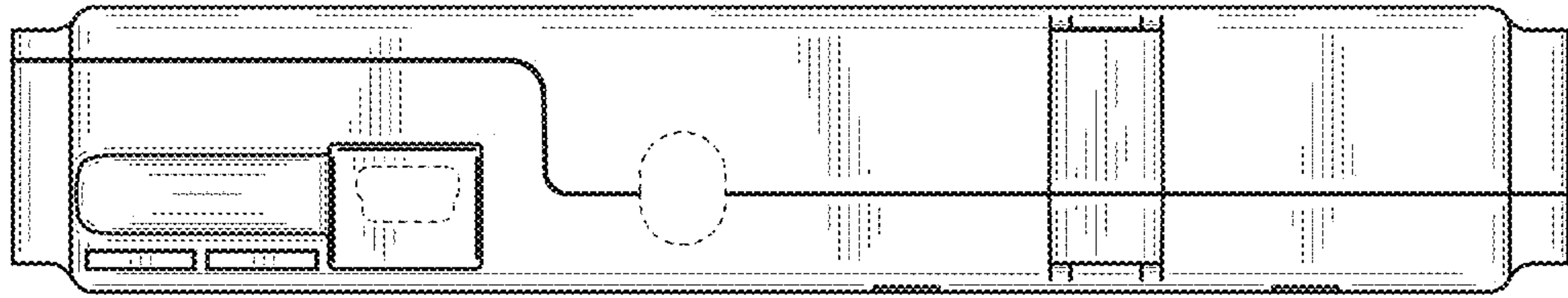


FIG. 8

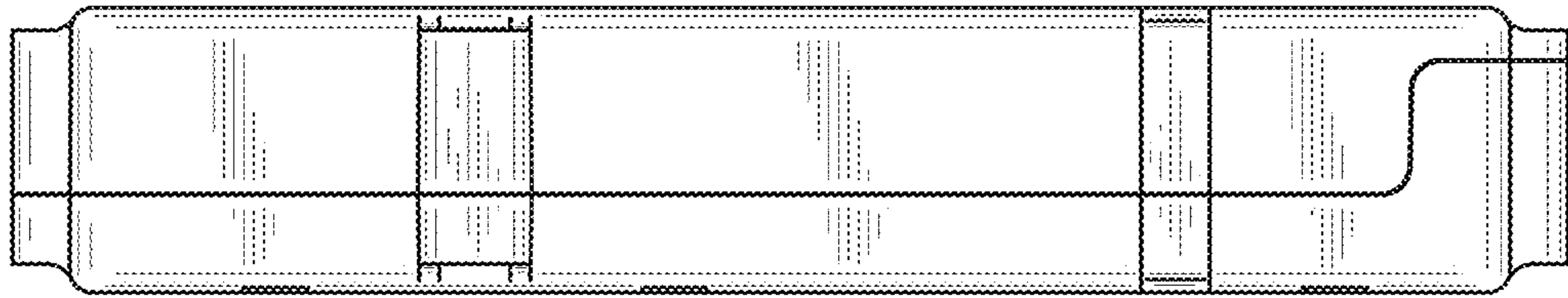


FIG. 9

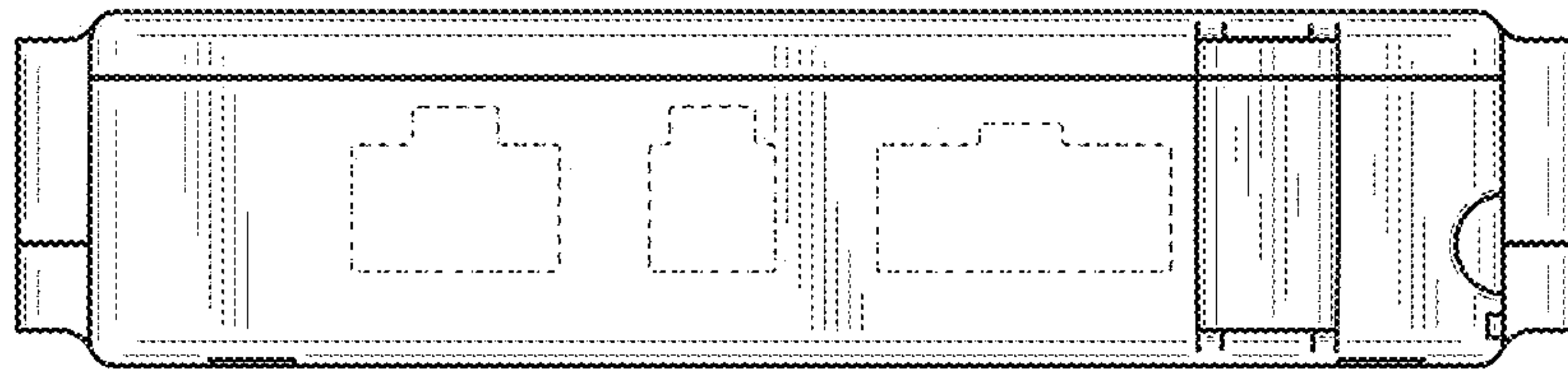


FIG. 10

