



US00D934857S

(12) **United States Design Patent**  
**Choi et al.**

(10) **Patent No.:** **US D934,857 S**  
(45) **Date of Patent:** **\*\* Nov. 2, 2021**

(54) **DISPLAY**

(71) Applicant: **Dell Products L.P.**, Round Rock, TX (US)  
(72) Inventors: **Duck Soo Choi**, Austin, TX (US); **Kyu Sang Park**, Austin, TX (US)  
(73) Assignee: **Dell Products, L.P.**, Round Rock, TX (US)  
(\*\*) Term: **15 Years**  
(21) Appl. No.: **29/736,639**

(22) Filed: **Jun. 2, 2020**  
(51) **LOC (13) Cl.** ..... **14-02**  
(52) **U.S. Cl.**  
USPC ..... **D14/336**  
(58) **Field of Classification Search**  
USPC ..... D14/336, 337, 373, 374, 375, 376, 377,  
D14/125, 128, 129, 126, 371, 372, 341;  
D24/185, 186  
CPC ..... G06F 1/1601; G06F 1/1605; G06F 1/162  
See application file for complete search history.

(56) **References Cited**

**U.S. PATENT DOCUMENTS**

D349,489 S \* 8/1994 Wang ..... D14/375  
D540,797 S \* 4/2007 Chen ..... D14/336  
D637,169 S \* 5/2011 Kim ..... D14/126  
D703,631 S \* 4/2014 Hallar ..... D14/129  
D724,040 S 3/2015 Chan  
D732,495 S \* 6/2015 Liao ..... D14/126  
D752,587 S \* 3/2016 Gong ..... D14/375  
D803,827 S \* 11/2017 Escolin ..... D14/336  
D826,879 S 8/2018 Sitoh et al.  
10,159,158 B2 \* 12/2018 Park ..... F16M 11/10

(Continued)

**FOREIGN PATENT DOCUMENTS**

EM 001160097-0001 \* 9/2009  
JP D1454534 \* 11/2012  
WO D206297-001 \* 3/2020

**OTHER PUBLICATIONS**

Amazon. Link: <https://www.amazon.com/Samsung-S32R750-32-Inch-Monitor-LS32R750UENXZA/dp/B07L9FNWSS?th=1>. Mar. 17, 2018. Samsung Space 32-Inch SR75 UHD 4K Computer Monitor (LS32R750UENXZA) (Year: 2018).\*

(Continued)

*Primary Examiner* — Lauren D McVey  
(74) *Attorney, Agent, or Firm* — Zagorin Cave LLP;  
Robert W. Holland

(57) **CLAIM**

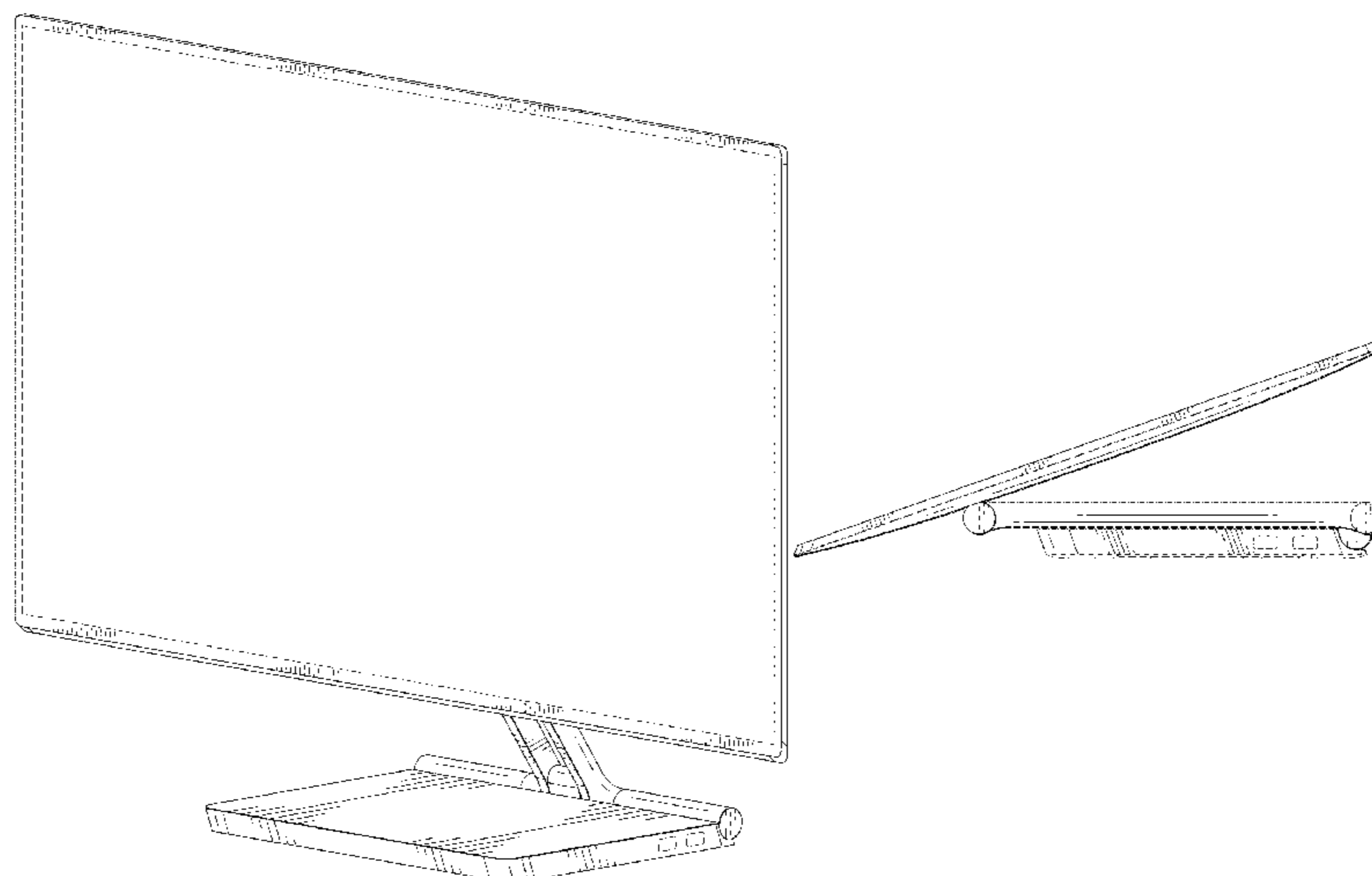
We claim the ornamental design for a display, as shown and described.

**DESCRIPTION**

FIG. 1 is a front perspective view of a display comprising the present invention in a first position;  
FIG. 2 is a front elevation view thereof;  
FIG. 3 is a rear elevation view thereof;  
FIG. 4 is a right side elevation view thereof;  
FIG. 5 is a left side elevation view thereof;  
FIG. 6 is a top plan view thereof;  
FIG. 7 is a bottom plan view thereof;  
FIG. 8 is a rear perspective view thereof;  
FIG. 9 is a right side elevation view thereof in a second position; and,  
FIG. 10 is a right side elevation view thereof in a third position.

The broken lines immediately adjacent to the shaded areas depict the bounds of the claimed design, while all other broken lines are directed to environment. In addition, the unshaded bottom surface that directly adjoins the claimed solid line edges forms no part of the claimed design. The broken lines form no part of the claimed design.

**1 Claim, 8 Drawing Sheets**



(56)

**References Cited**

U.S. PATENT DOCUMENTS

D920,324 S \* 5/2021 Warren ..... D14/336  
D924,867 S \* 7/2021 Chen ..... D14/336  
D925,520 S \* 7/2021 Chen ..... D14/336  
2012/0182680 A1\* 7/2012 Wetzel ..... F16M 11/105  
361/679.06  
2017/0300082 A1\* 10/2017 Park ..... G06F 1/1681

OTHER PUBLICATIONS

Windows Central. Link: <https://www.windowcentral.com/dell-s2418h-review>. Oct. 25, 2017. Dell S2418H monitor review: A great display at a reasonable price—but no ‘real’ HDR. (Year: 2017).\*

HP. Link: <https://www.hp.com/us-en/shop/pdp/hp-e24-g4-fhd-monitor>. Visited Aug. 2, 2021. HP E24 G4 FHD Monitor. (Year: 2021).\*

U.S. Appl. No. 29/734,254, filed May 11, 2020, entitled “Display,” by inventors Chun Long Goh et al.

U.S. Appl. No. 29/734,250, filed May 11, 2020, entitled “Display,” by inventors Tung Chen Wu et al.

U.S. Appl. No. 29/693,071, filed May 30, 2019, entitled “Display Stand,” by inventors Tung Chen Wu et al.

U.S. Appl. No. 29/635,927, filed Feb. 5, 2018, entitled “Monitor with Integrated Camera,” by inventors Tzu-Wei Tai et al.

U.S. Appl. No. 29/622,433, filed Oct. 17, 2017, entitled “Information Handling System Stand,” by inventors James H. Hallar et al.

\* cited by examiner

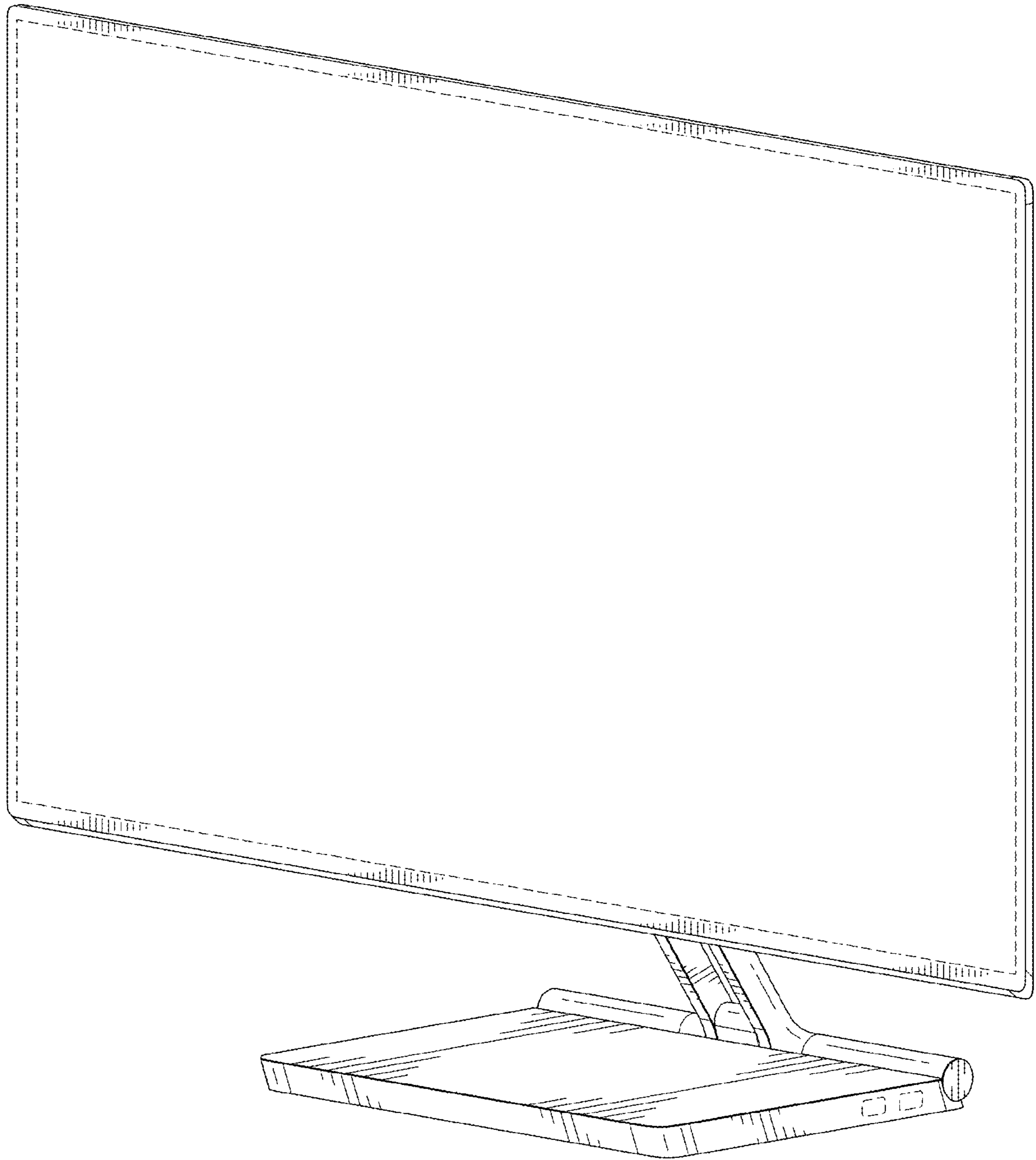


FIG. 1

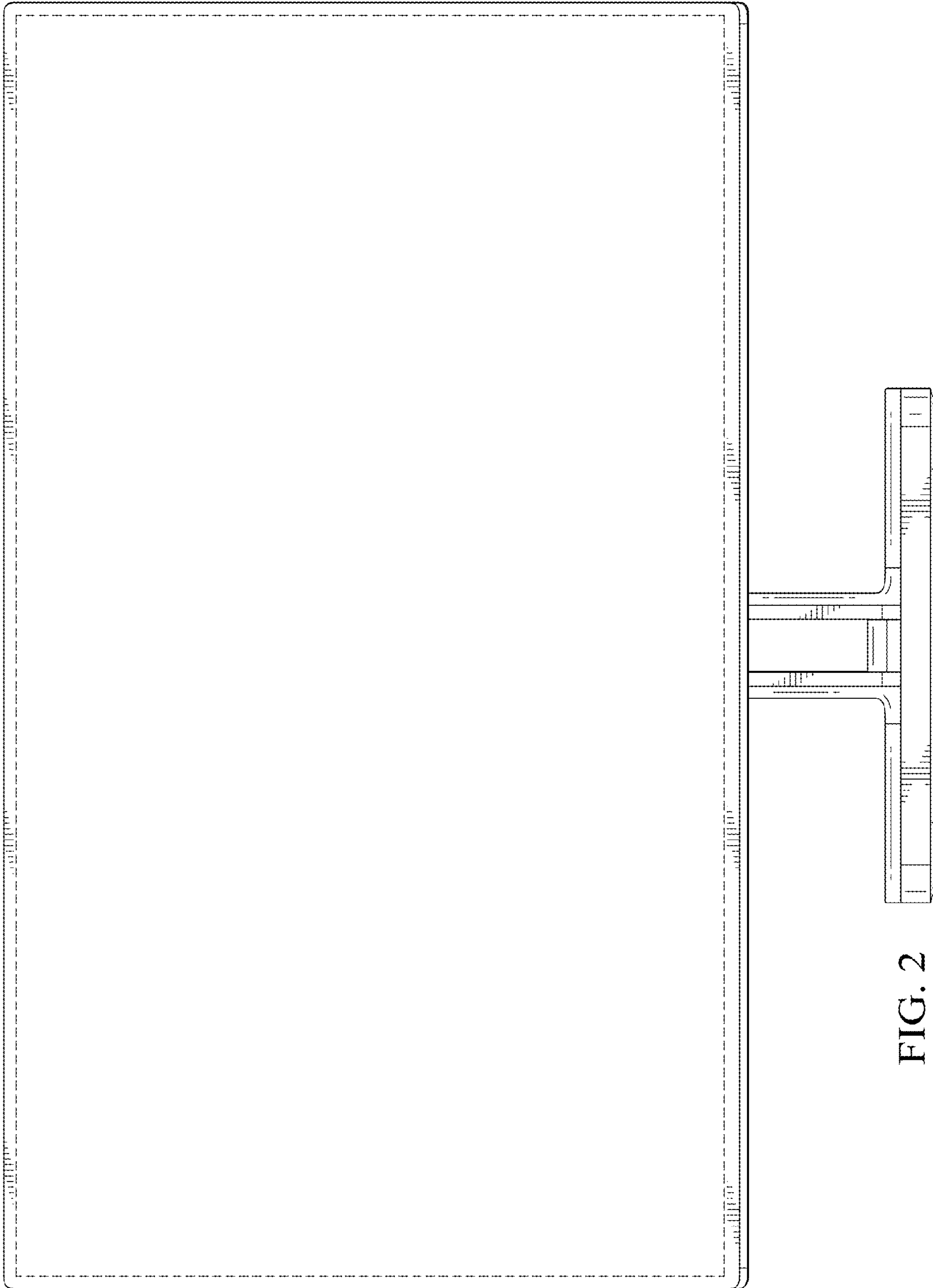


FIG. 2

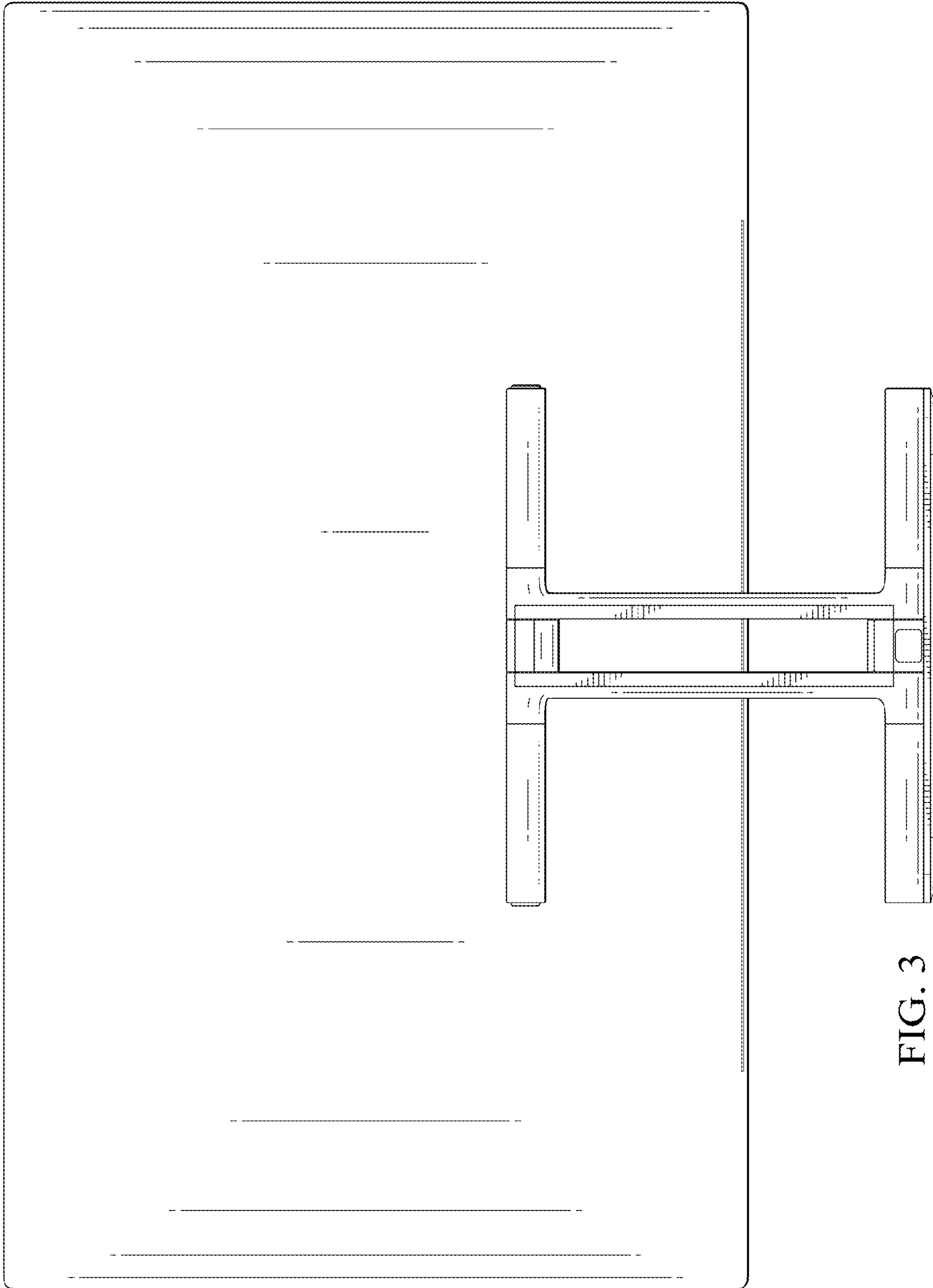


FIG. 3

FIG. 5

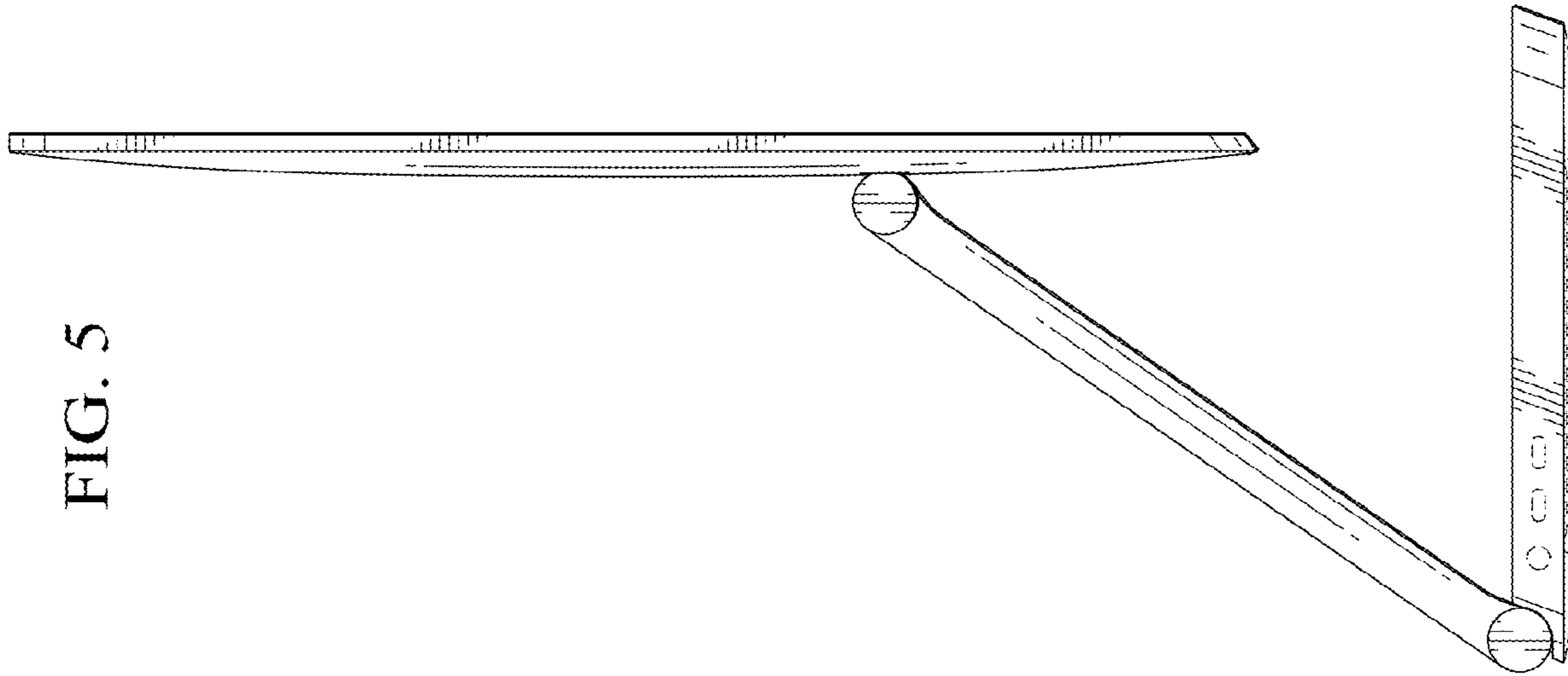
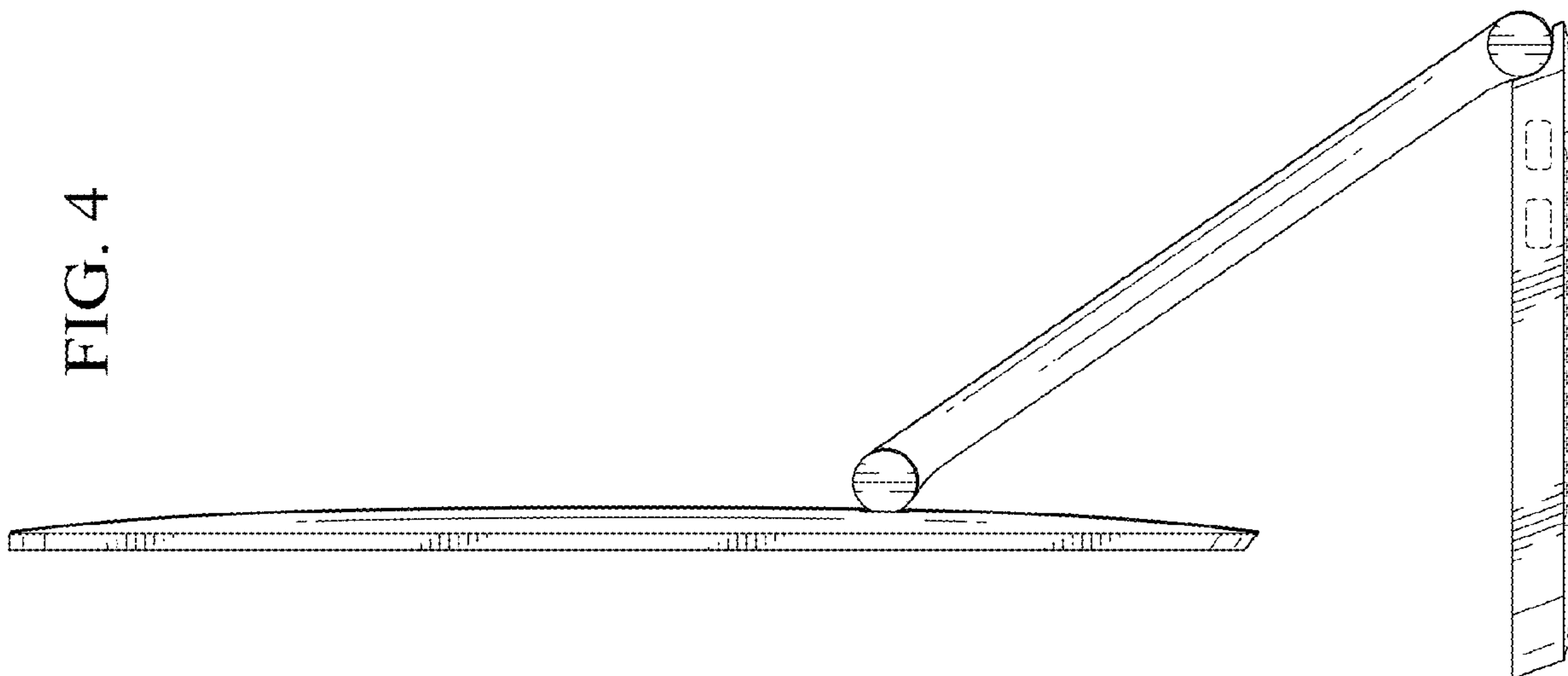


FIG. 4



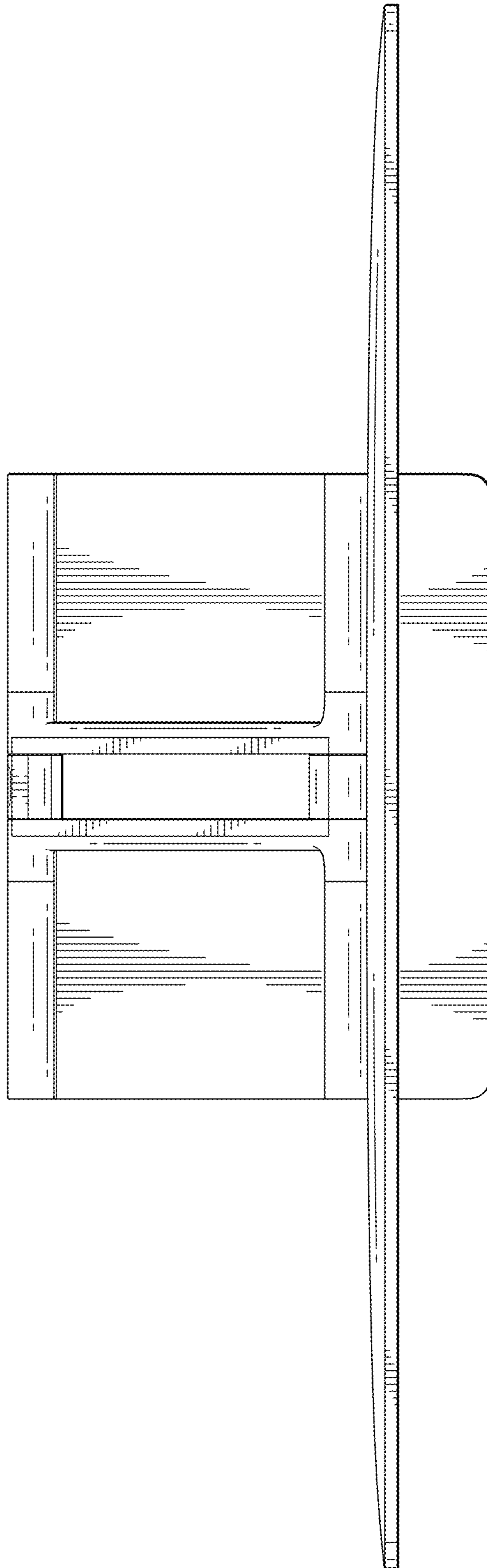


FIG. 6

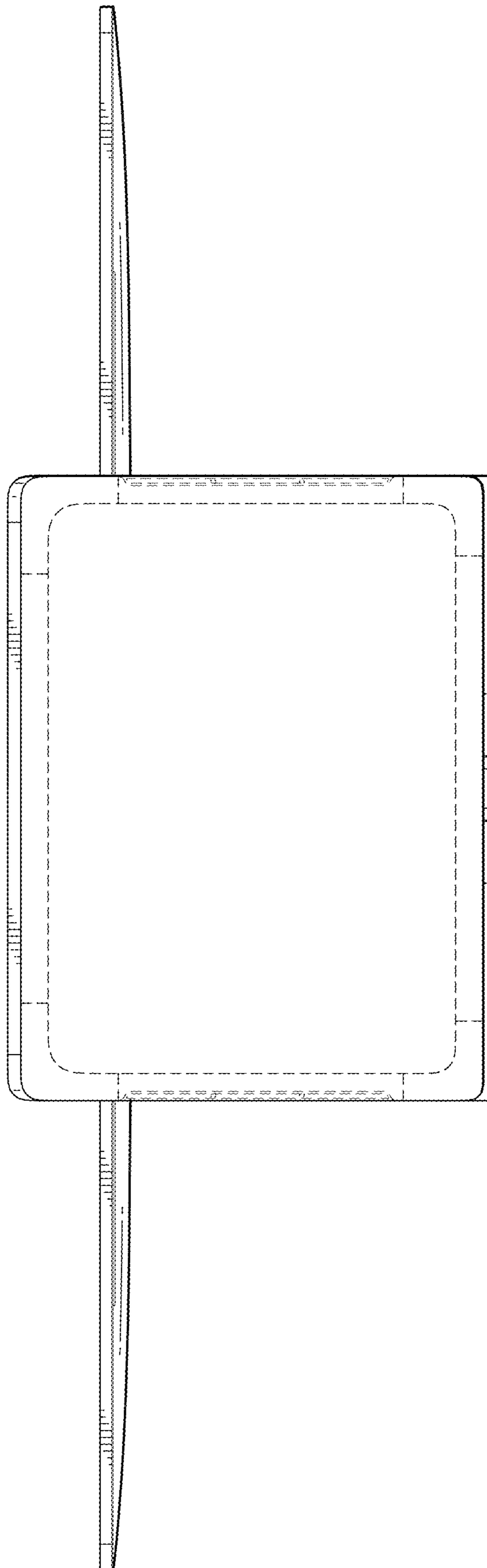


FIG. 7



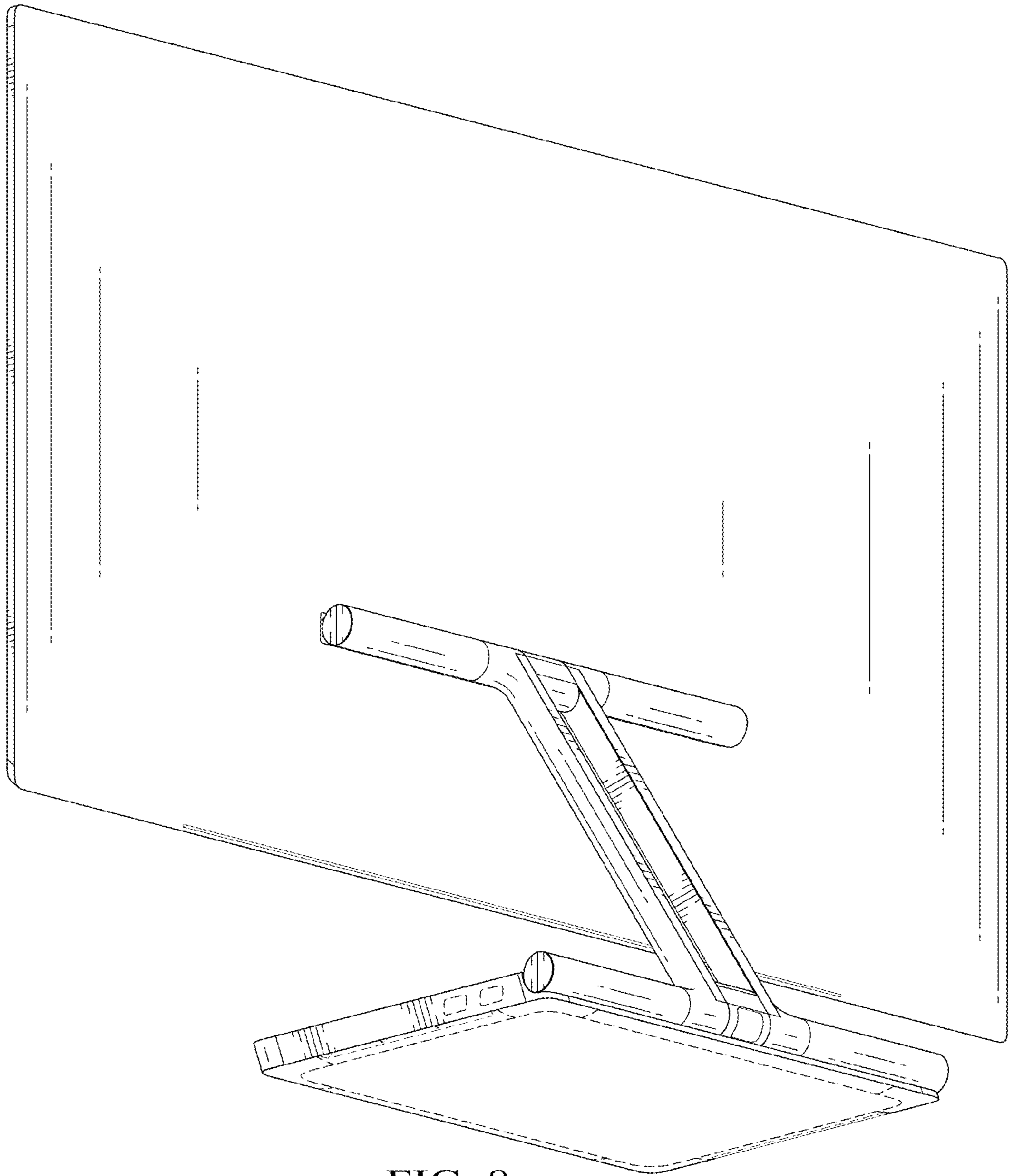


FIG. 8

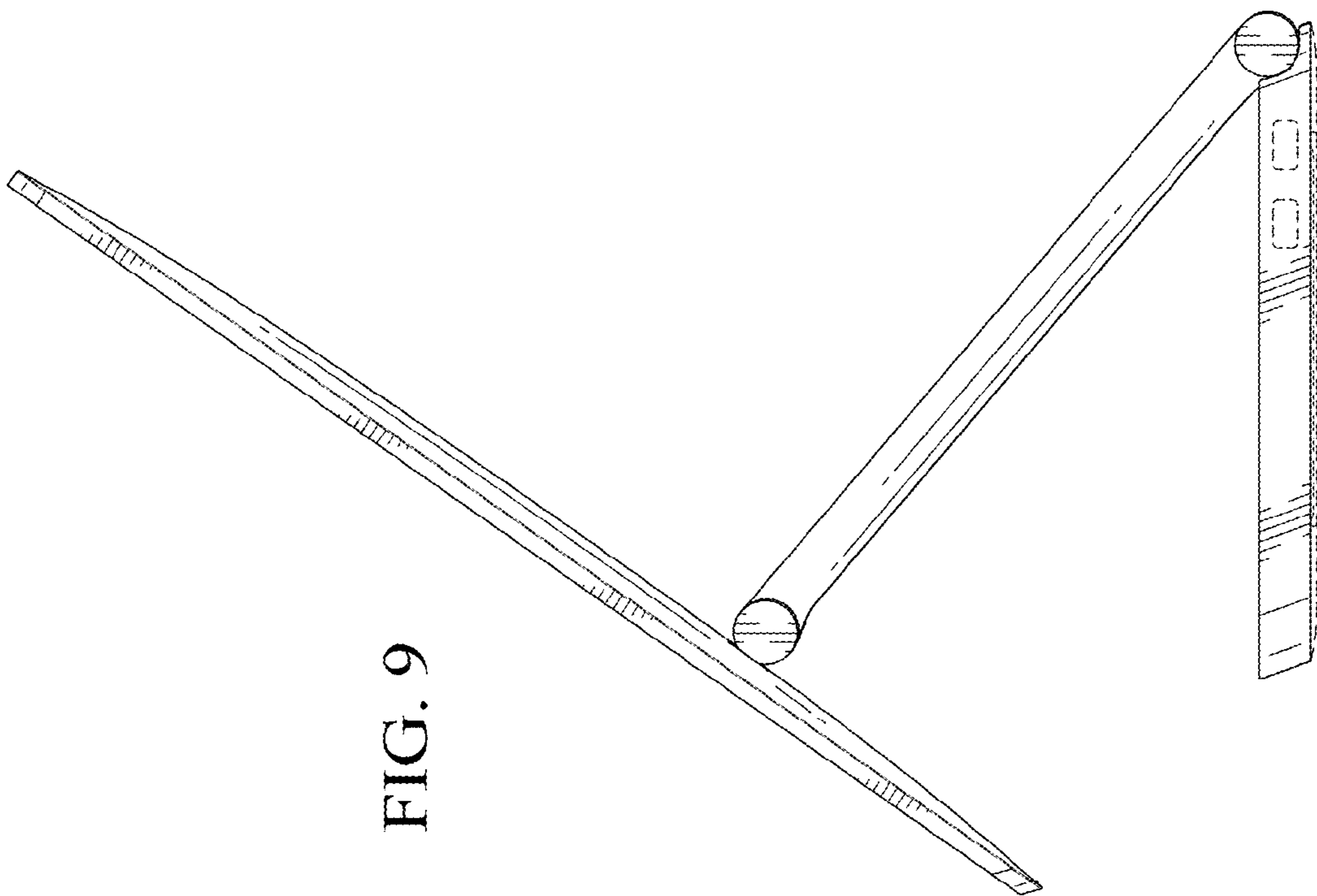


FIG. 9

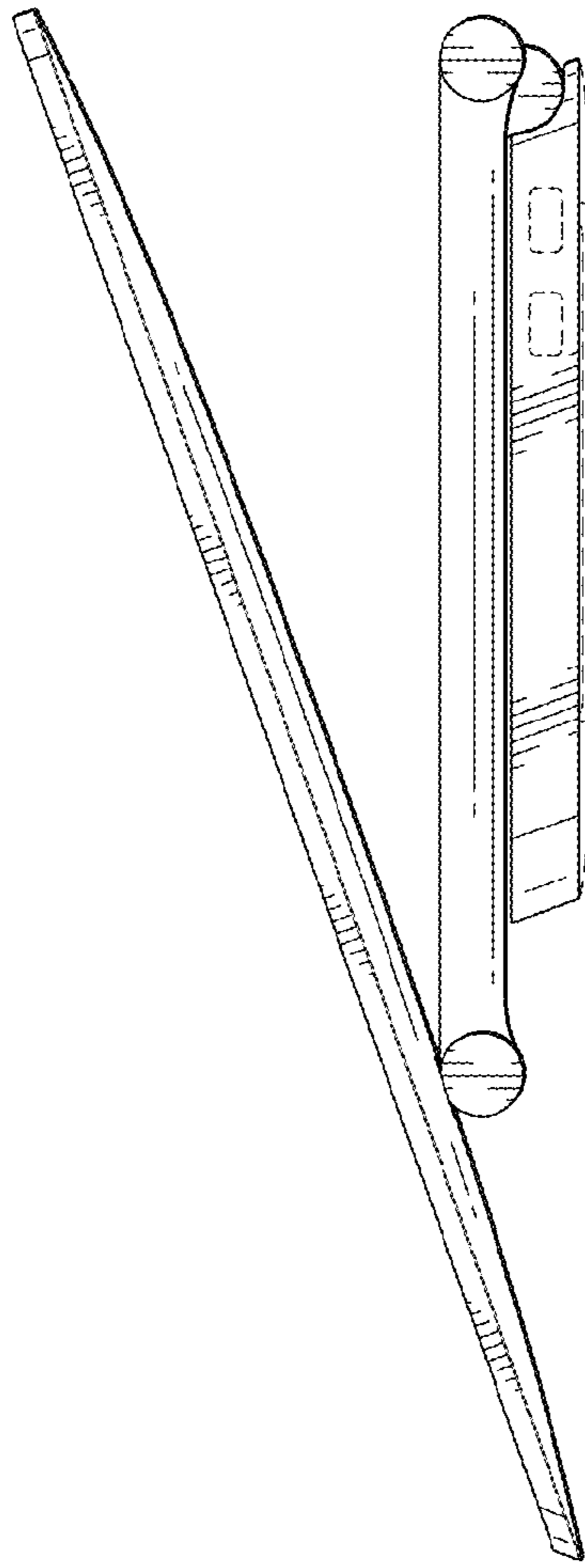


FIG. 10