



US00D934856S

(12) **United States Design Patent**  
**Yeh et al.**

(10) **Patent No.:** **US D934,856 S**  
(45) **Date of Patent:** **\*\* Nov. 2, 2021**

(54) **NOTEBOOK COMPUTER**

(71) Applicants: **Hsin Yeh**, Taipei (TW); **Jyh-Chyang Tzou**, Taipei (TW); **Han-Tsai Liu**, Taipei (TW); **Pai-Feng Chen**, Taipei (TW); **Yi-Hsun Liu**, Taipei (TW)

(72) Inventors: **Hsin Yeh**, Taipei (TW); **Jyh-Chyang Tzou**, Taipei (TW); **Han-Tsai Liu**, Taipei (TW); **Pai-Feng Chen**, Taipei (TW); **Yi-Hsun Liu**, Taipei (TW)

(73) Assignee: **COMPAL ELECTRONICS, INC.**, Taipei (TW)

(\*\*) Term: **15 Years**

(21) Appl. No.: **29/662,152**

(22) Filed: **Sep. 4, 2018**

(51) **LOC (13) Cl.** ..... **14-02**

(52) **U.S. Cl.**  
USPC ..... **D14/318**

(58) **Field of Classification Search**  
USPC ..... D14/315–328, 331, 334–335, 339–340;  
D18/1–2, 7, 11, 12.2–12.3; D19/26, 86,  
D19/90

CPC ..... G06F 1/166; G06F 1/1613; G06F 1/1616;  
G06F 1/1618; G06F 1/162; G06F 1/1622;  
G06F 1/1624; G06F 1/1633; G06F  
1/1615; G06F 1/1643; G06F 1/1654;  
G06F 1/1656; G06F 1/1669; G06F 1/203;  
G06F 1/1688; G06F 1/1601; G06F  
1/1637; G06F 1/181; G06F 1/1686; G06F  
1/1666; G06F 1/1664; G06F 1/1667;  
H05K 5/0047; H05K 5/0052

See application file for complete search history.

(56) **References Cited**

**U.S. PATENT DOCUMENTS**

3,314,089 A \* 4/1967 Margolis ..... B42C 7/00  
412/3  
D292,710 S \* 11/1987 Woods, Jr. .... 283/58

(Continued)

**FOREIGN PATENT DOCUMENTS**

JP 10312232 A \* 11/1998  
WO WO-2012021525 A1 \* 2/2012 ..... G06F 1/1679  
WO WO-2016049942 A1 \* 4/2016 ..... G06F 1/1618

**OTHER PUBLICATIONS**

Cho et al.; Samsung Electronics Ltd., KR Design No. 300728560,  
posted at Orbit, publication date Aug. 31, 2015. Site visited Mar. 23,  
2020. Available from Internet. (Year: 2015).\*

*Primary Examiner* — Kathleen L Jones

(74) *Attorney, Agent, or Firm* — JCIPRNET

(57) **CLAIM**

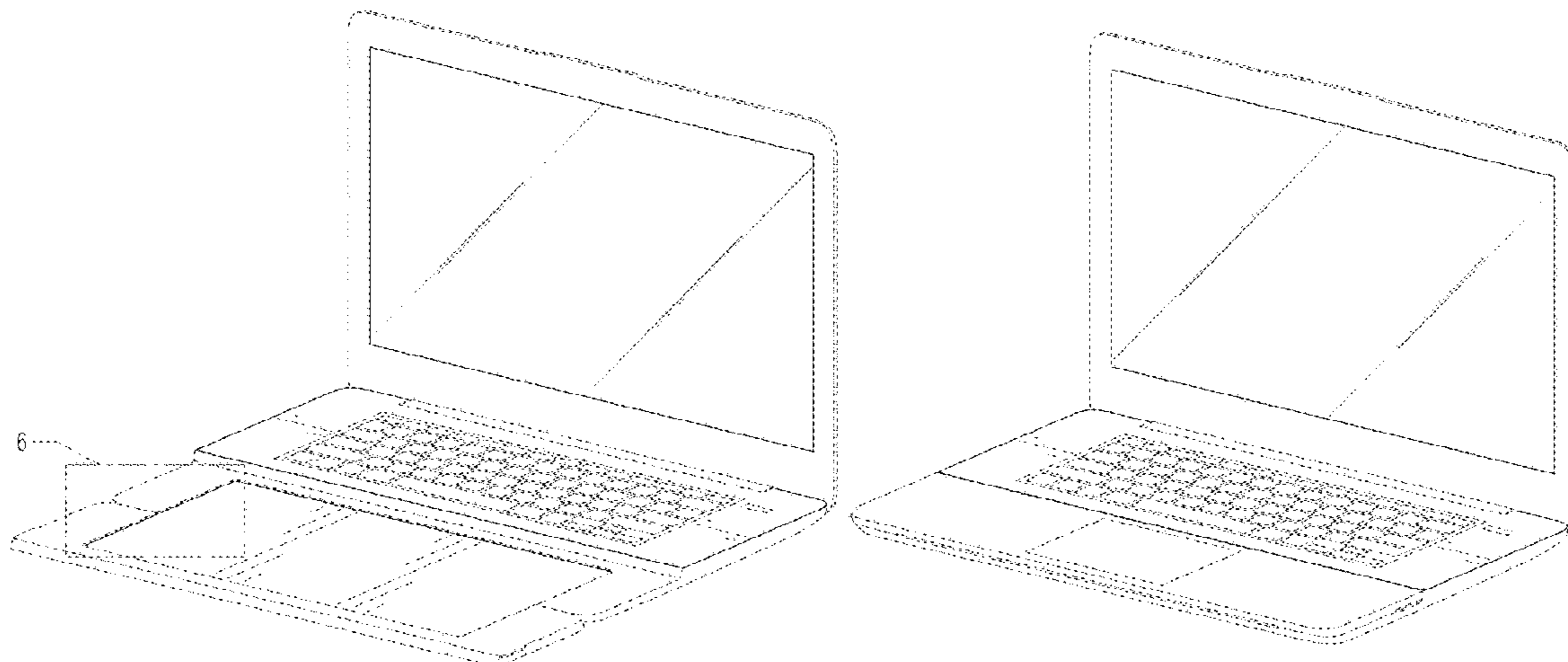
The ornamental design for a notebook computer, as shown  
and described.

**DESCRIPTION**

FIG. 1 is a perspective view of a notebook computer  
showing our new design;  
FIG. 2 is a front view thereof;  
FIG. 3 is a left side view thereof;  
FIG. 4 is a right side view thereof;  
FIG. 5 is a top view thereof;  
FIG. 6 is an enlarged view thereof the portion, labeled '6'  
of FIG. 1;  
FIG. 7 is a perspective view thereof showing the palmrest  
closed;  
FIG. 8 is a top view thereof showing the palmrest closed;  
FIG. 9 is a cross-sectional view taken along line 9-9 in FIG.  
8 with the internal parts being omitted; and,  
FIG. 10 is an enlarged view thereof the portion, labeled '10'  
of FIG. 9.

The rear and bottom views are omitted because they are  
unornamented and form no part of the claimed design. The  
broken lines illustrate portions of the notebook computer  
and form no part of the claimed design.

**1 Claim, 9 Drawing Sheets**



(56)

References Cited

U.S. PATENT DOCUMENTS

5,596,481	A *	1/1997	Liu	.....	G06F 1/1616	10,915,285	B2 *	2/2021	Dong	.....	G06F 1/1677
					248/118.1	10,983,570	B1 *	4/2021	Files	.....	G06F 1/1683
D438,868	S *	3/2001	Oba	.....	D14/455	D920,968	S *	6/2021	Tzou	.....	D14/315
D526,998	S *	8/2006	Kondo	.....	D14/327	11,023,016	B2 *	6/2021	Kim	.....	G06F 1/1669
D565,047	S *	3/2008	Jawerth	.....	D14/316	2003/0112590	A1 *	6/2003	Shimano	.....	G06F 1/1643
D565,048	S *	3/2008	Jawerth	.....	D14/316						361/679.06
D565,049	S *	3/2008	Jawerth	.....	D14/316	2007/0097087	A1 *	5/2007	Homer	.....	G06F 1/1656
D621,398	S *	8/2010	Loi	.....	D14/327						345/173
D681,627	S *	5/2013	Barton	.....	D14/315	2014/0160654	A1 *	6/2014	Yoo	.....	G06F 1/1681
D688,237	S *	8/2013	Paulhac	.....	D14/315						361/679.12
D689,870	S *	9/2013	Fong	.....	D14/447	2014/0375530	A1 *	12/2014	Delaporte	.....	G06F 1/1649
D695,286	S *	12/2013	Katz	.....	D14/306						345/1.3
D709,491	S *	7/2014	Kurimoto	.....	D14/320	2015/0186093	A1 *	7/2015	Kim	.....	G06F 1/1647
D719,564	S *	12/2014	Ji	.....	D14/315						345/174
D729,230	S *	5/2015	Kurimoto	.....	D14/320	2016/0026381	A1 *	1/2016	Kim	.....	G06F 1/1616
D753,648	S *	4/2016	Shyu	.....	D14/315						715/761
D755,782	S *	5/2016	Shyu	.....	D14/315	2016/0357489	A1 *	12/2016	Dong	.....	G06F 1/1641
D761,267	S *	7/2016	Chen	.....	D14/345	2017/0023972	A1 *	1/2017	Xin	.....	G06F 1/1652
D762,654	S *	8/2016	O'Sullivan	.....	D14/455	2017/0102740	A1 *	4/2017	Kuscher	.....	G06F 1/1618
D767,578	S *	9/2016	Wong	.....	D14/455	2017/0329370	A1 *	11/2017	Han	.....	G06F 1/1656
D768,621	S *	10/2016	Park	.....	D14/315	2019/0069451	A1 *	2/2019	Myers	.....	G06F 1/1618
D768,624	S *	10/2016	Bae	.....	D14/331	2019/0072999	A1 *	3/2019	Escamilla	.....	G06F 1/1615
D783,599	S *	4/2017	Bai	.....	D14/315	2019/0181364	A1 *	6/2019	Jeong	.....	G06F 1/1641
D789,376	S *	6/2017	Shyu	.....	D14/315	2019/0220061	A1 *	7/2019	Fujimoto	.....	G06F 1/1618
D790,531	S *	6/2017	Magi	.....	D14/315	2019/0258295	A1 *	8/2019	Fujimoto	.....	G06F 1/1643
D826,926	S *	8/2018	Lee	.....	D14/315	2019/0278322	A1 *	9/2019	Huang	.....	G06F 1/1662
10,599,183	B2 *	3/2020	Magi	.....	G06F 1/1652	2020/0159289	A1 *	5/2020	Seibert	.....	G06F 1/1647
10,656,714	B2 *	5/2020	Ligtenberg	.....	G06F 3/044	2020/0192540	A1 *	6/2020	Li	.....	G06F 3/0486
D890,163	S *	7/2020	Tzou	.....	D14/315	2020/0233465	A1 *	7/2020	Lim	.....	G06F 1/1673
D891,439	S *	7/2020	Lee	.....	D14/461	2020/0319679	A1 *	10/2020	Knoppert	.....	G06F 1/1641
10,754,390	B2 *	8/2020	Quinn	.....	G06F 1/1618	2020/0341515	A1 *	10/2020	Moser	.....	H05K 7/14
						2020/0364021	A1 *	11/2020	Park	.....	H04M 1/72516
						2021/0124396	A1 *	4/2021	Chen	.....	G06F 1/26

\* cited by examiner

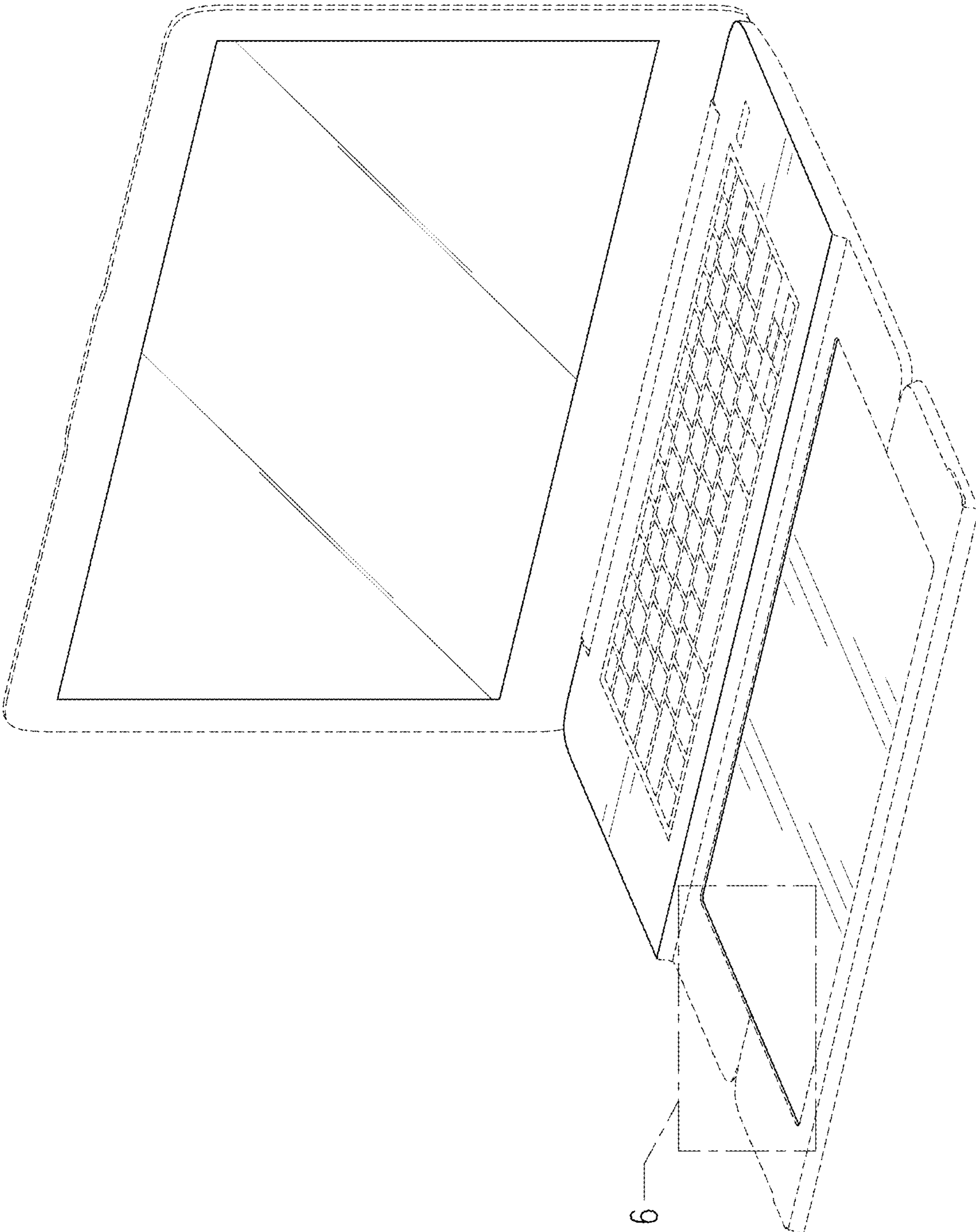


FIG. 1

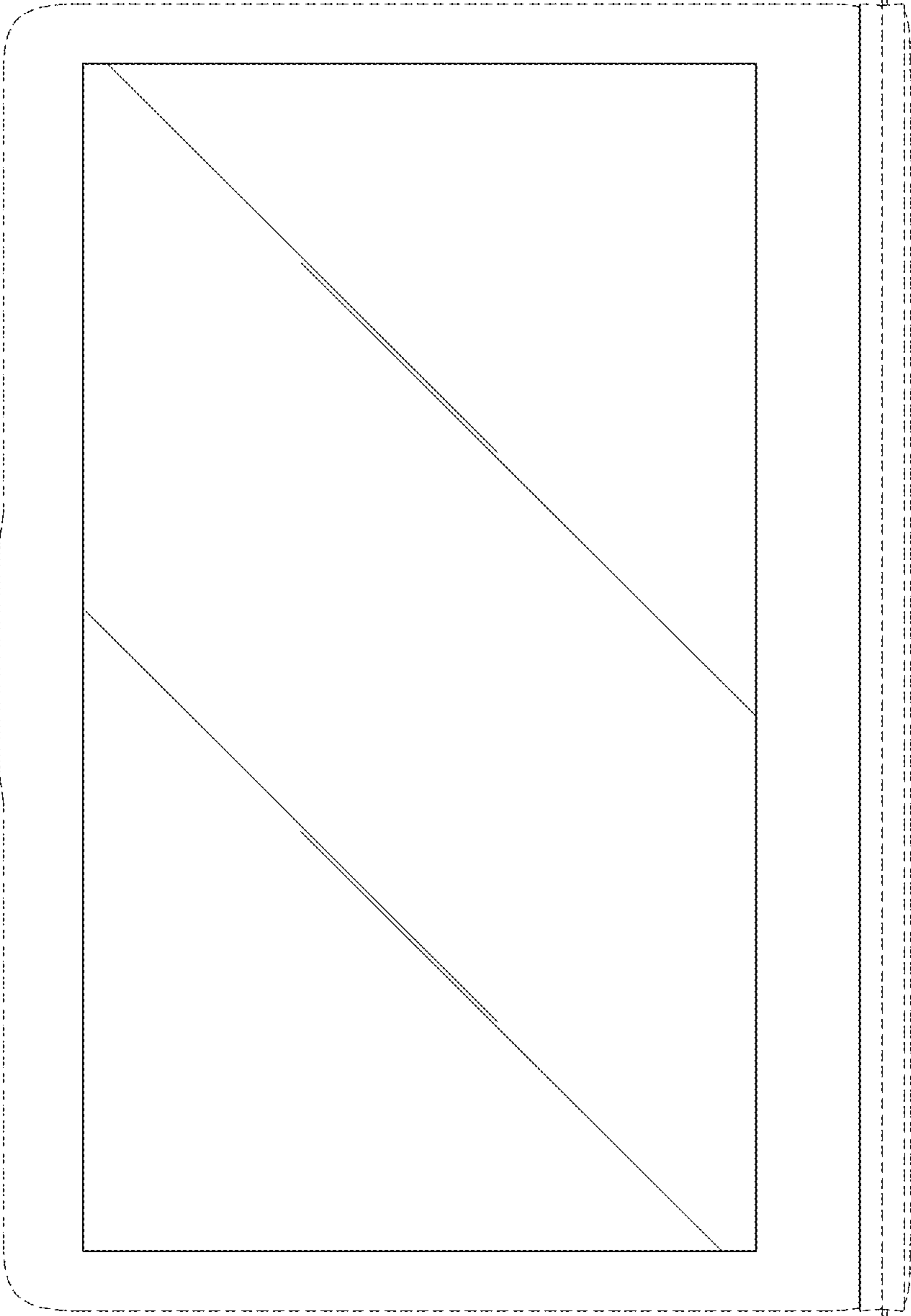


FIG. 2

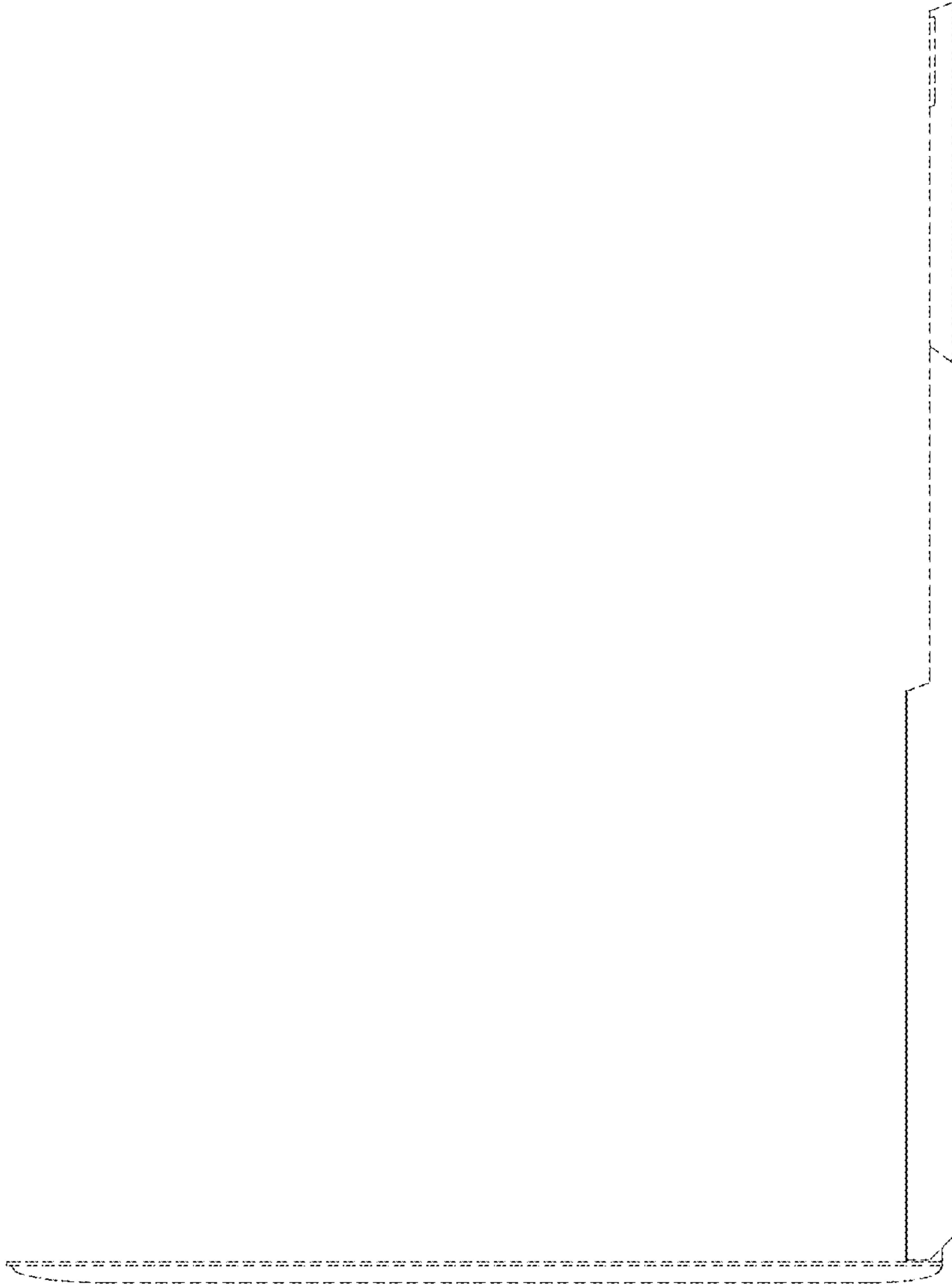


FIG. 3



FIG. 4

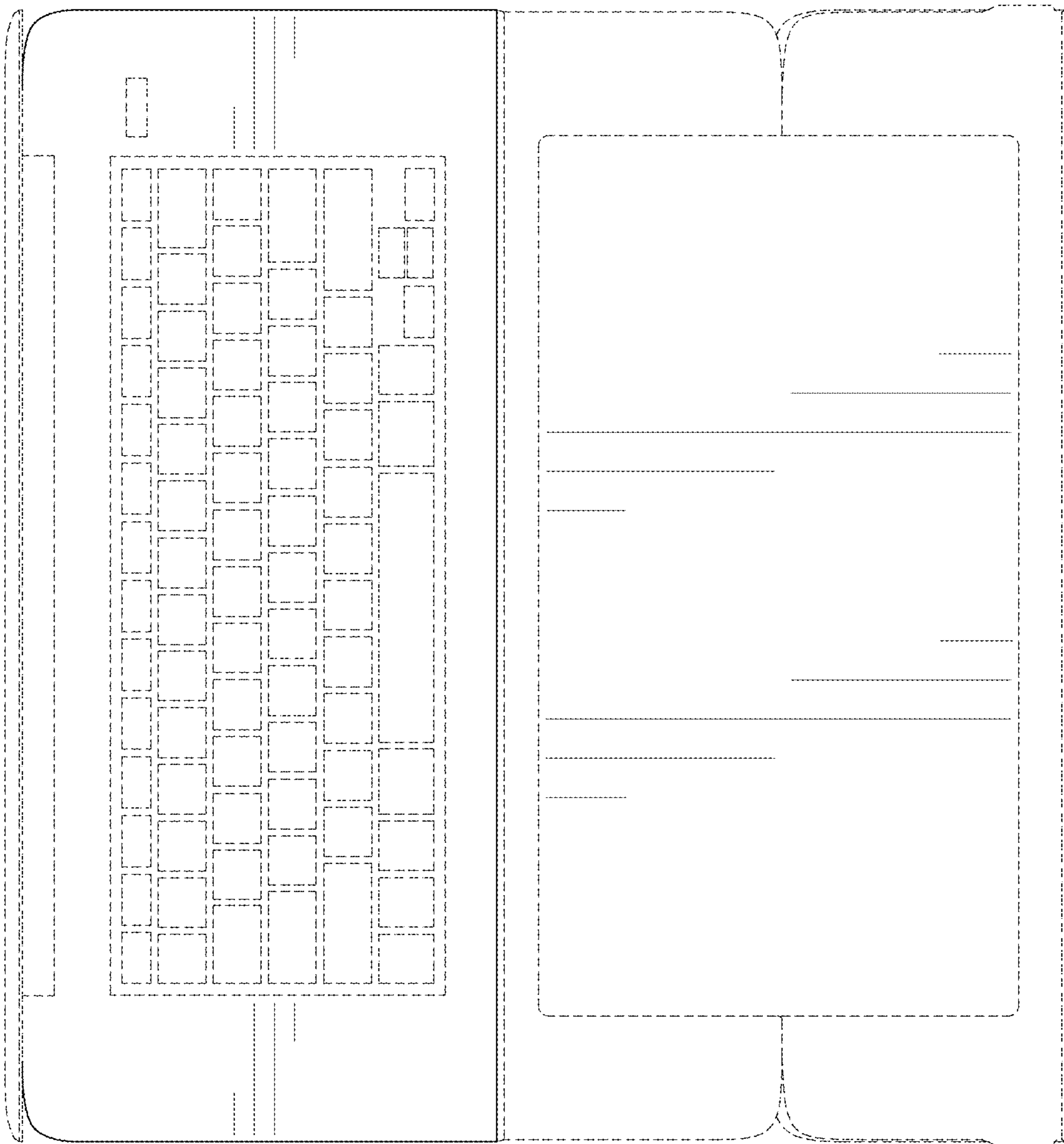


FIG. 5

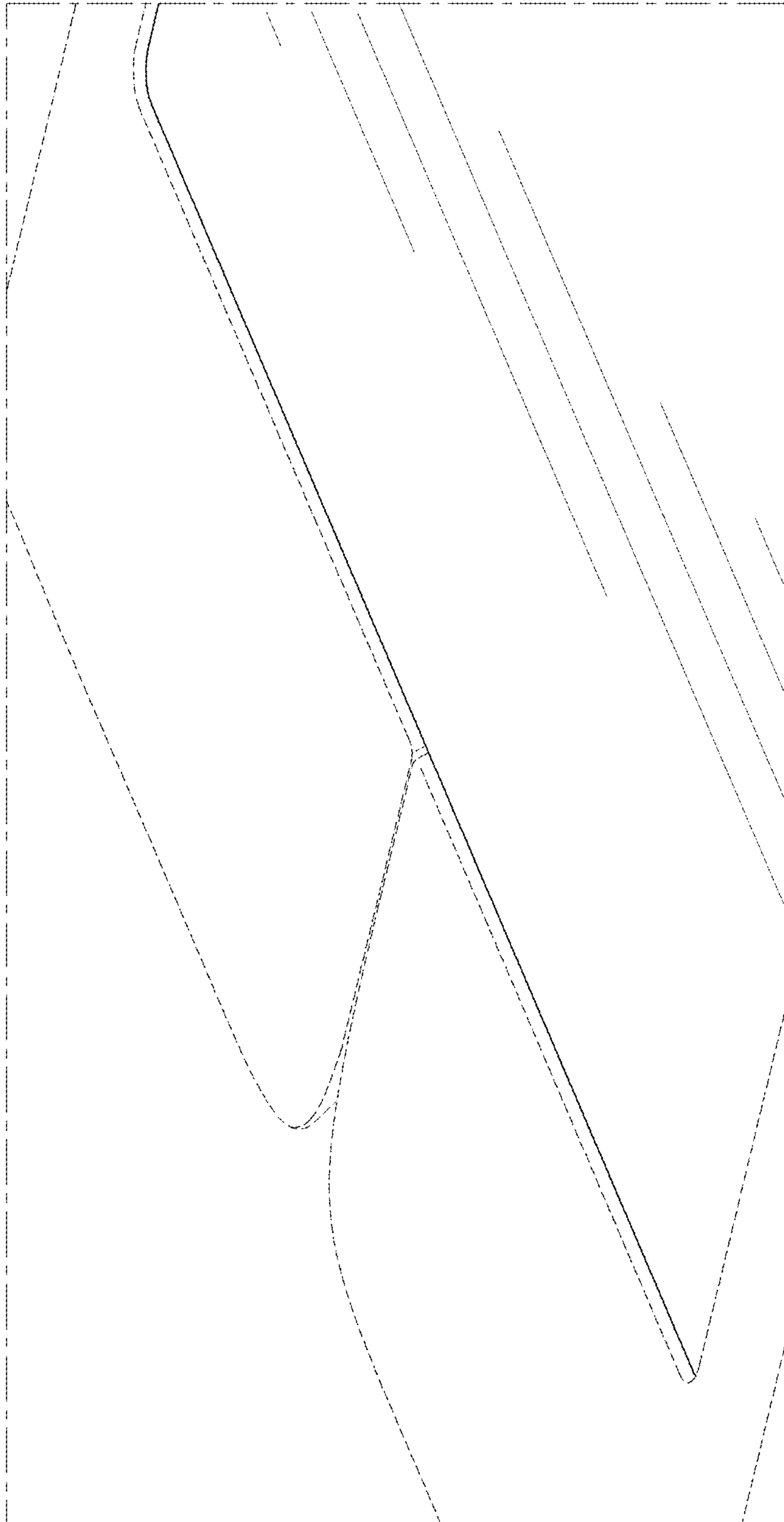


FIG. 6



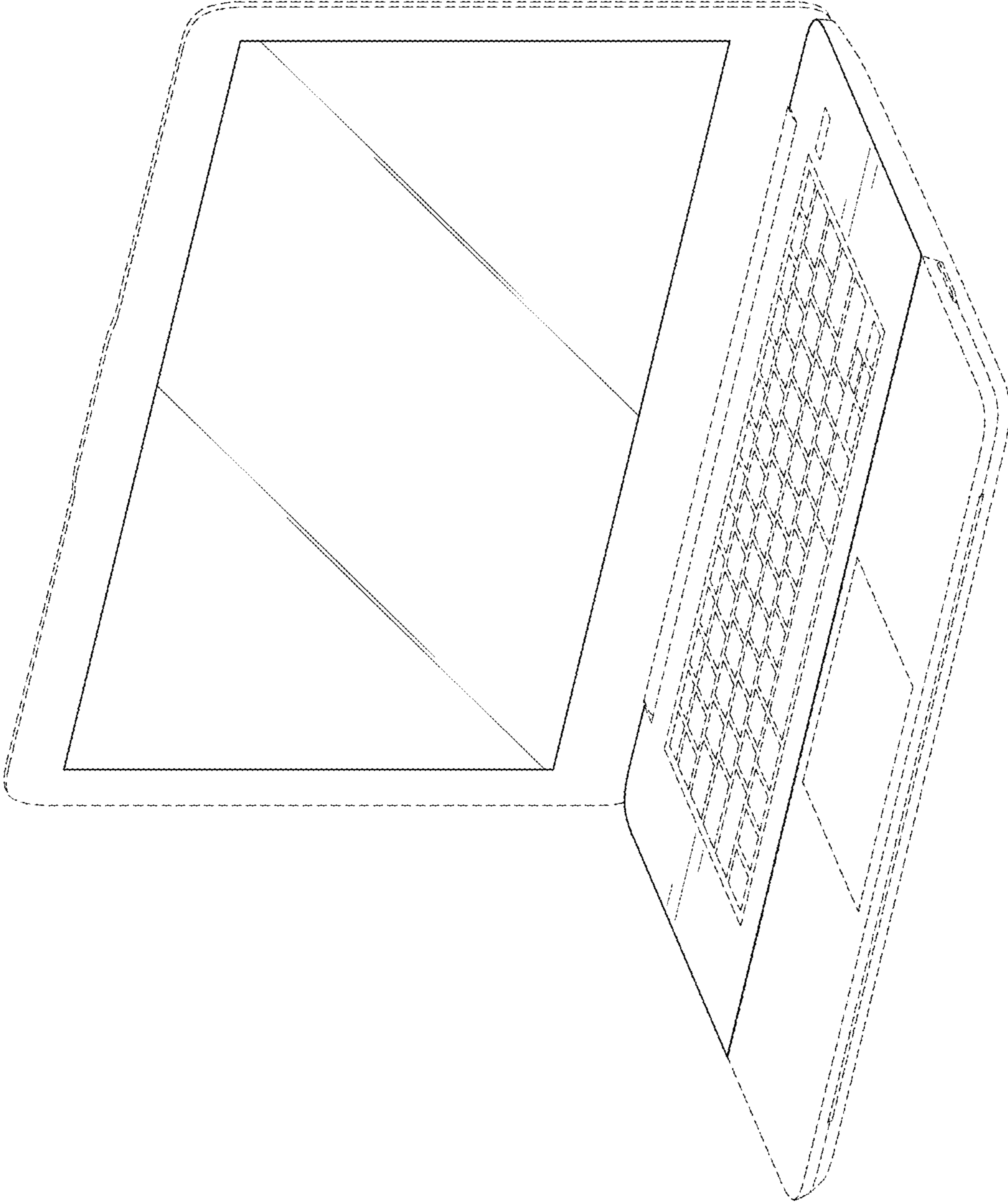


FIG. 7

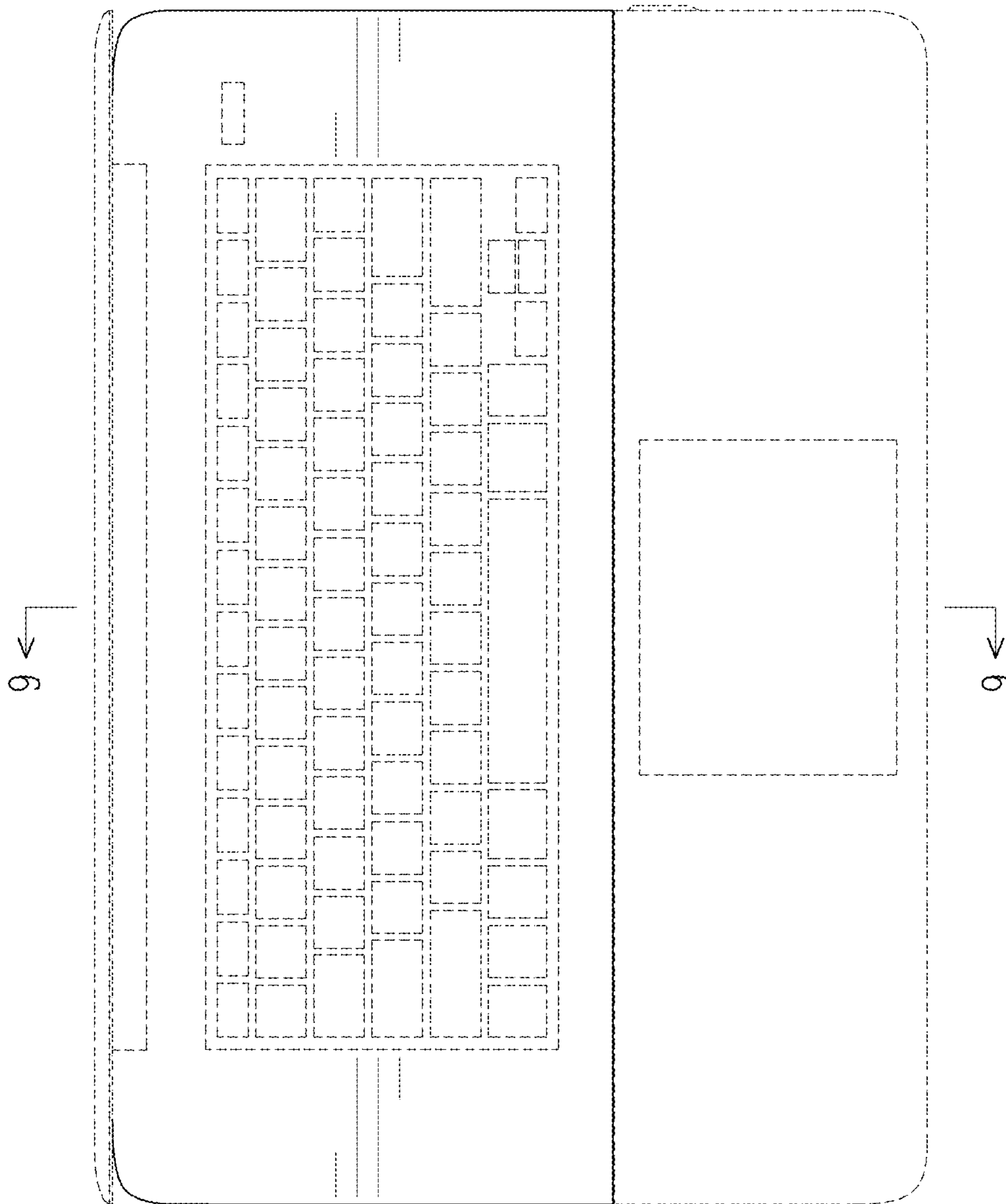


FIG. 8

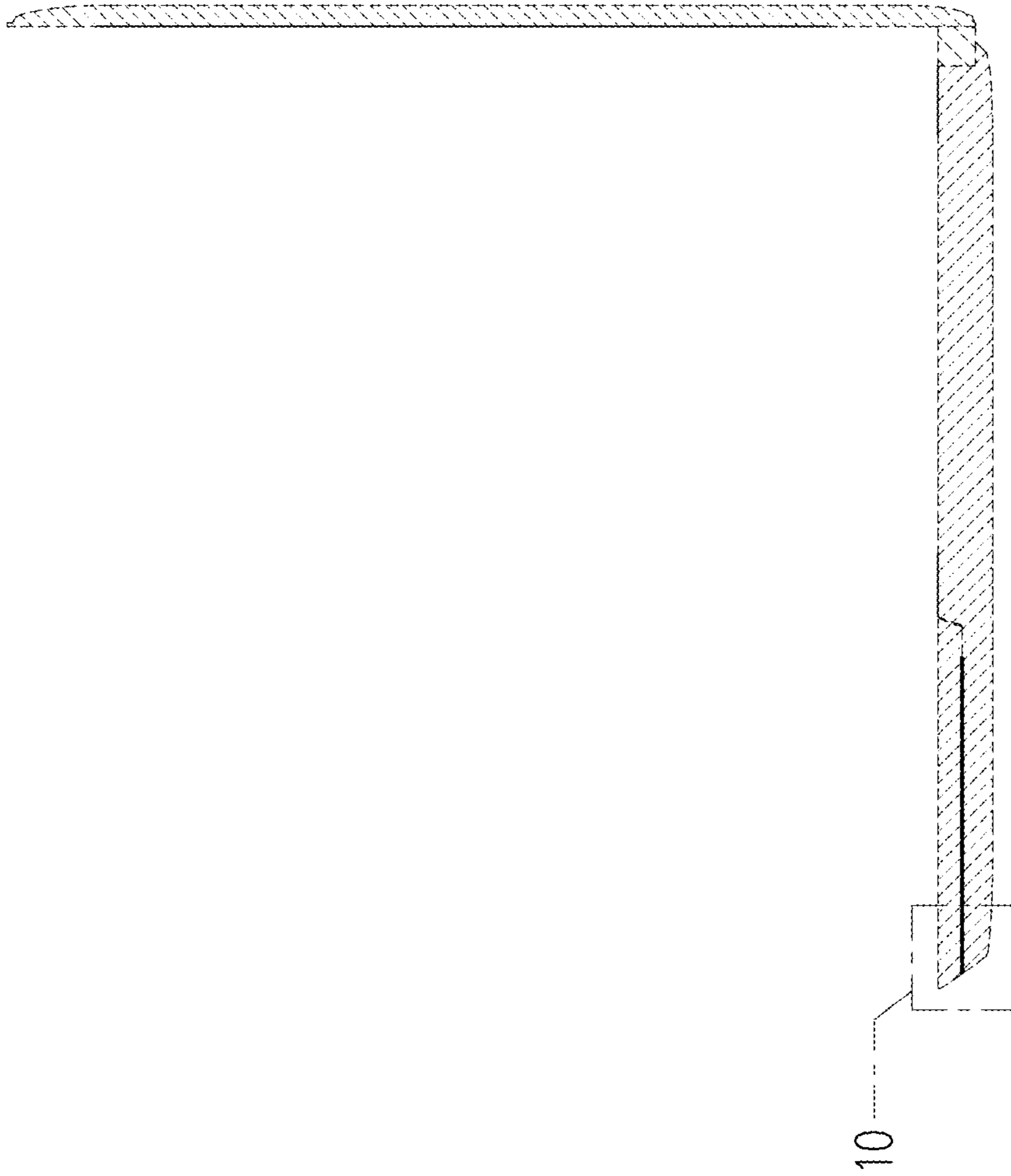


FIG. 9