



US00D934843S

(12) **United States Design Patent** (10) **Patent No.:** **US D934,843 S**
Wu (45) **Date of Patent:** **** Nov. 2, 2021**

(54) **TV ANTENNA**

(71) Applicant: **Fang Wu**, Guangdong (CN)

(72) Inventor: **Fang Wu**, Guangdong (CN)

(**) Term: **15 Years**

(21) Appl. No.: **29/730,598**

(22) Filed: **Apr. 6, 2020**

(51) **LOC (13) Cl.** **14-03**

(52) **U.S. Cl.**

USPC **D14/230**

(58) **Field of Classification Search**

USPC D14/230-238, 238.1, 243, 299, 358;
D13/182

CPC H01Q 1/243; H01Q 1/36; H01Q 1/38; H01Q
1/50; H01Q 7/00; H01Q 9/0407; H01Q
9/045; H01Q 9/285; H04B 1/034; H04B
1/0475; H04B 2001/0408; H05K 11/00

See application file for complete search history.

(56) **References Cited**

U.S. PATENT DOCUMENTS

D656,131 S *	3/2012	Suleiman	D14/230
D697,059 S *	1/2014	Miller	D14/230
D829,695 S *	10/2018	Wu	D14/230
D855,592 S *	8/2019	Wu	D14/230
D857,675 S *	8/2019	Wu	D14/230
D861,648 S *	10/2019	Wu	D14/230
2016/0149288 A1 *	5/2016	Wang	H01Q 1/38 343/906

OTHER PUBLICATIONS

200 Mile Range Antenna TV Digital HD Skylink, www.shopee.com, Apr. 11, 2019. <https://shopee.com.my/200-Mile-Range-Antenna-TV-Digital-HD-Skylink-4K-Antena-Digital-Indoor-HDTV-i.100086670.1810500241> (Year: 2019).*

* cited by examiner

Primary Examiner — Llorelys Martinez

Assistant Examiner — Kwabena A. Ankobiah

(57) **CLAIM**

The ornamental design for a TV antenna, as shown and described.

DESCRIPTION

FIG. 1 is a top, front and right side perspective view of a TV antenna showing my new design;

FIG. 2 is a bottom, rear and left side perspective view thereof;

FIG. 3 is a front elevational view thereof;

FIG. 4 is a rear elevational view thereof;

FIG. 5 is a left side view thereof;

FIG. 6 is a right side view thereof;

FIG. 7 is a top plan view thereof;

FIG. 8 is a bottom plan view thereof;

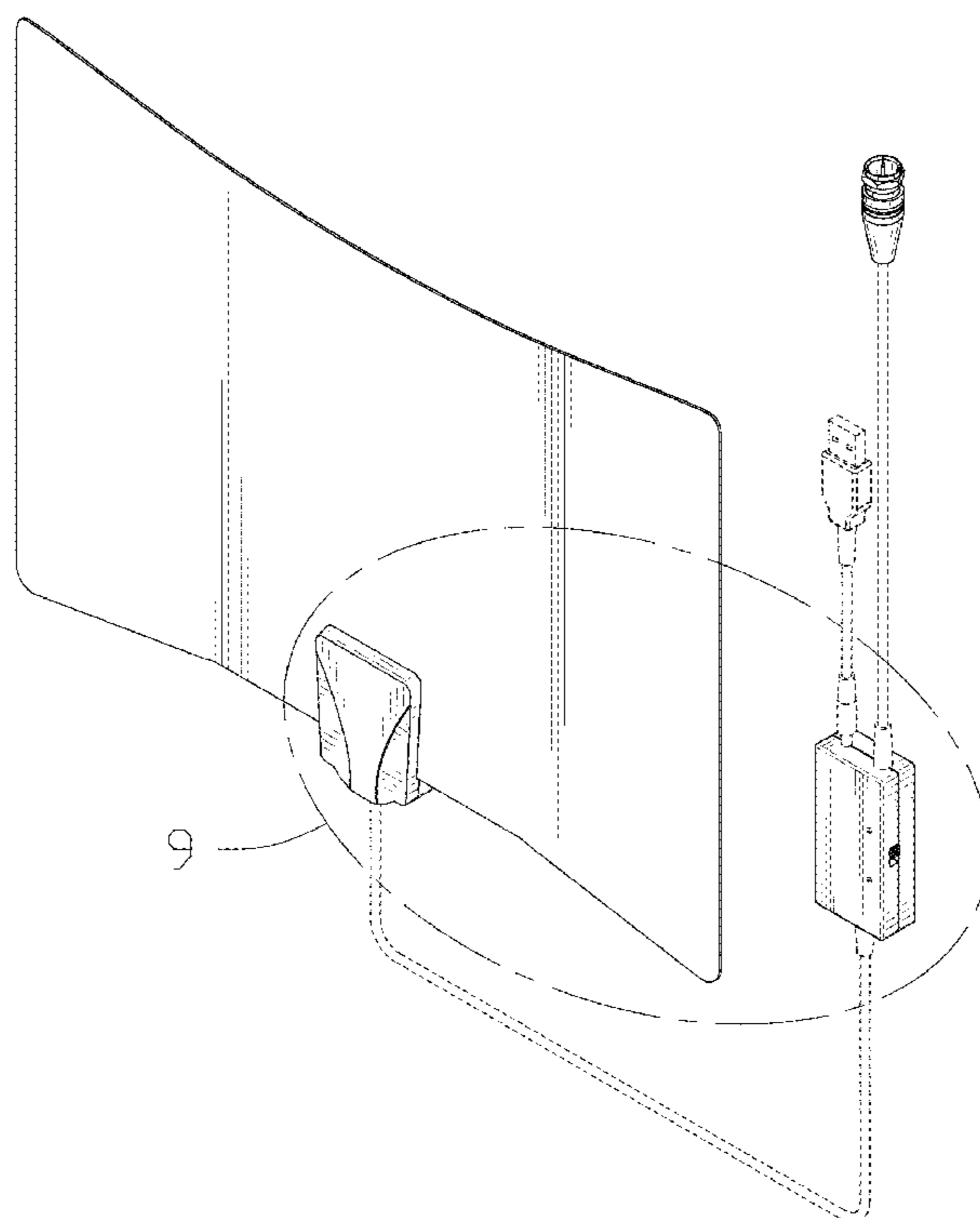
FIG. 9 is an enlarged view of portion 9 in FIG. 1; and,

FIG. 10 is an enlarged view of portion 10 in FIG. 2.

The broken lines in the drawings illustrate portions of the TV antenna which form no part of the claimed design.

The dot-dash broken lines in the drawings are included to show a partially enlarged view only and form no part of the claimed design.

1 Claim, 10 Drawing Sheets



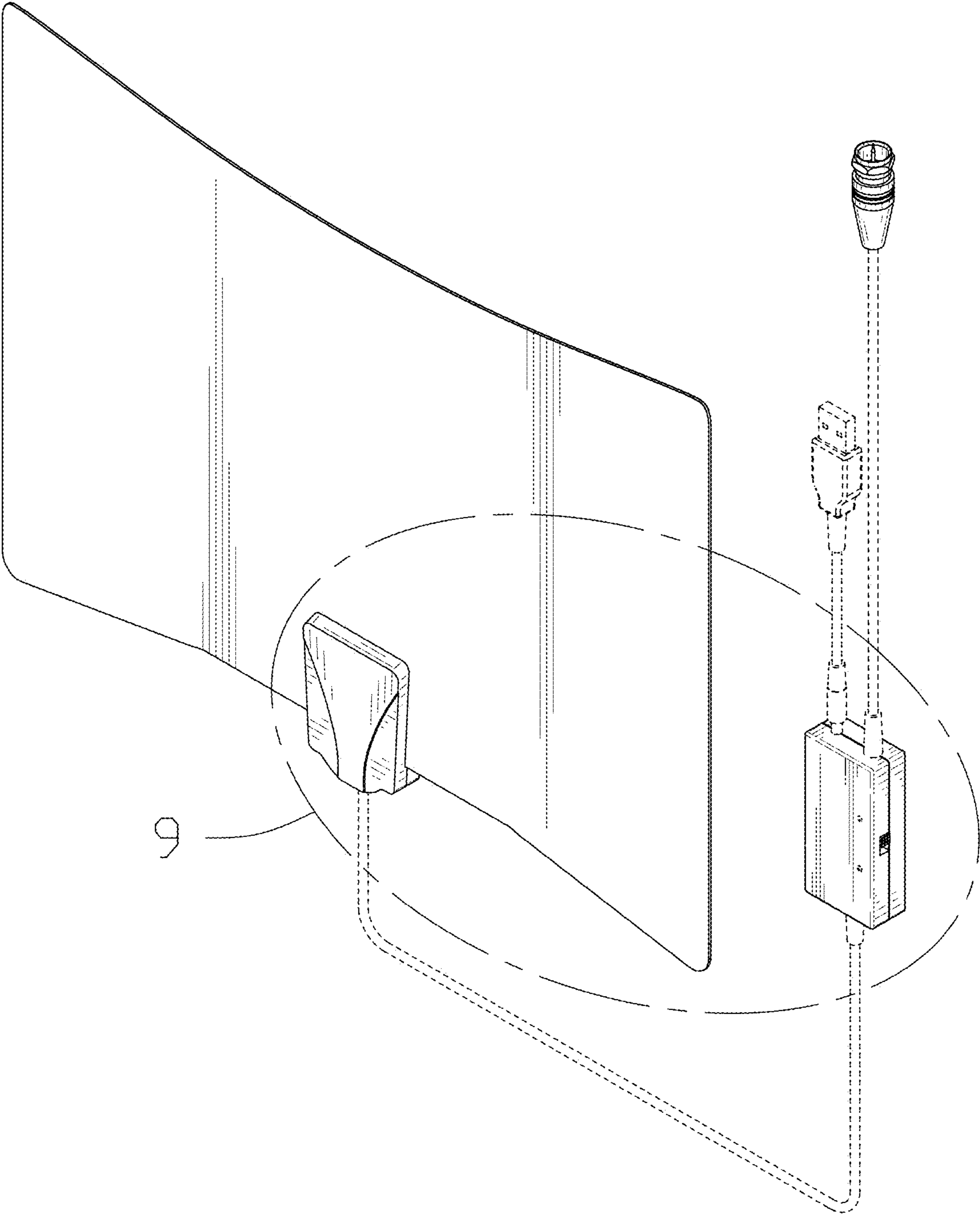


FIG. 1

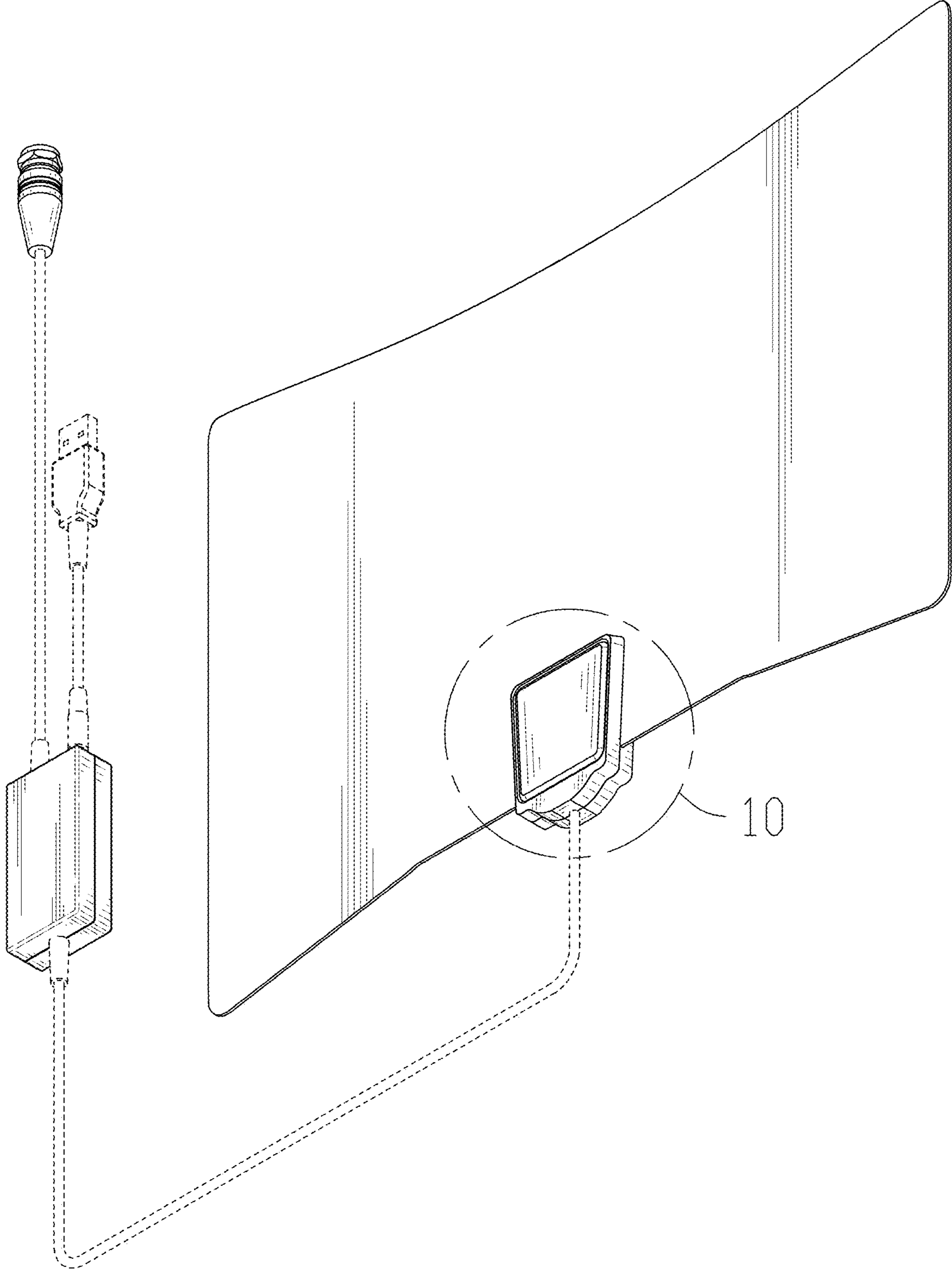


FIG. 2

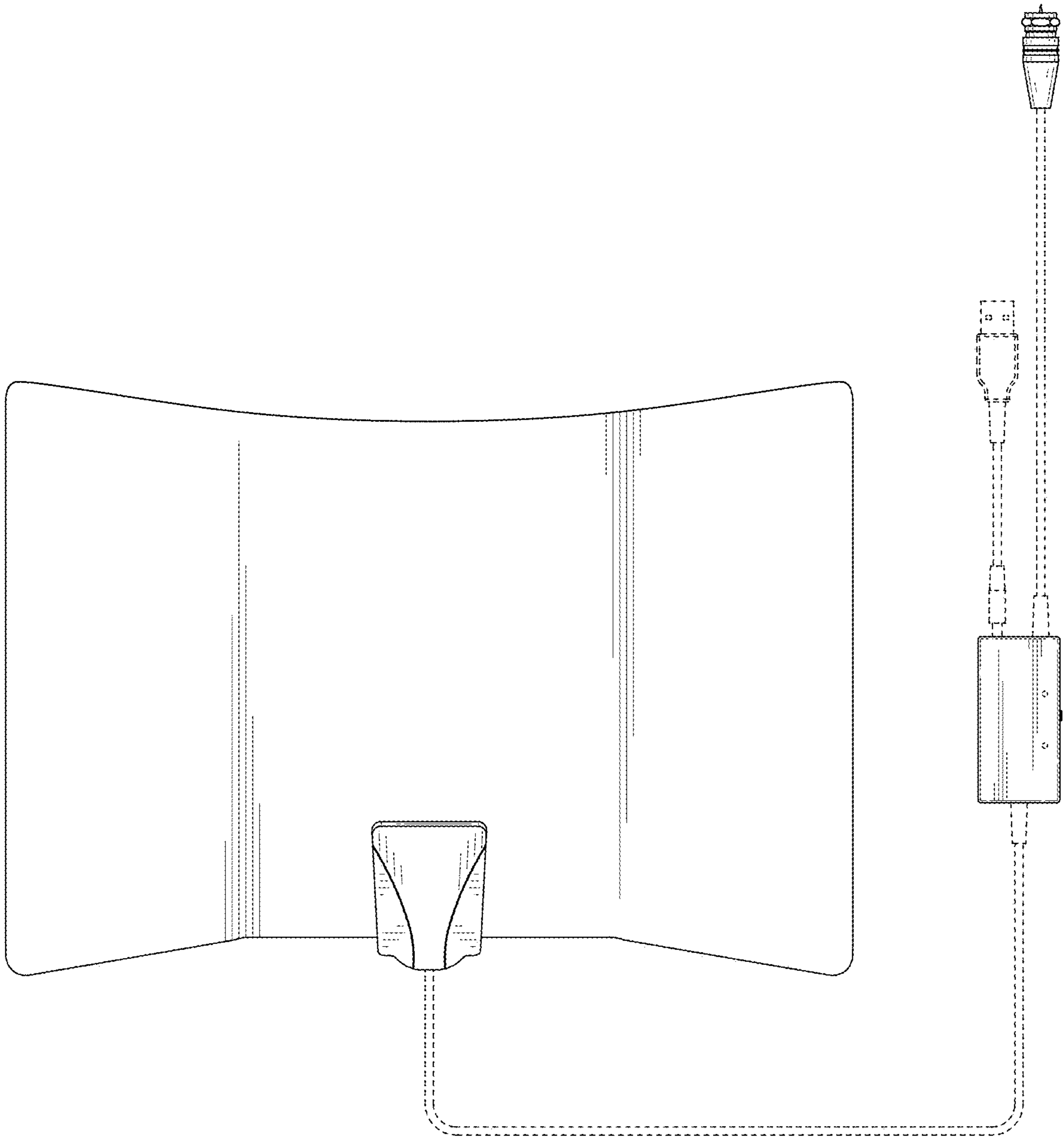


FIG. 3

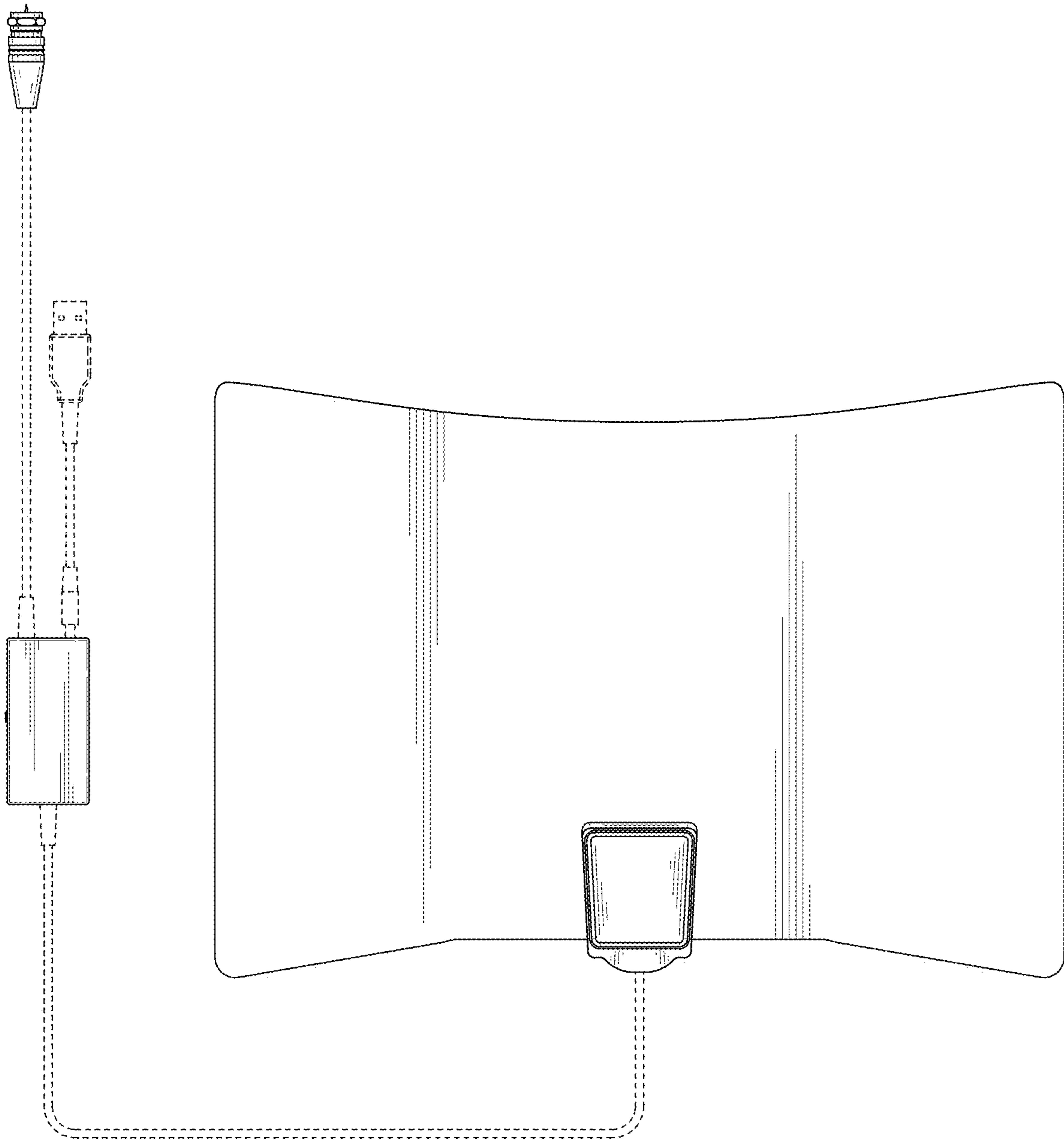


FIG. 4

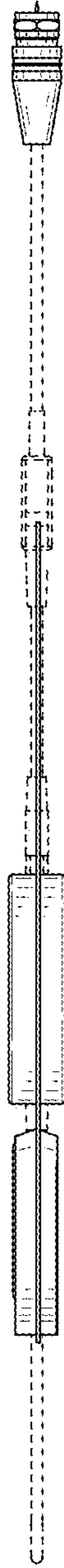


FIG. 5

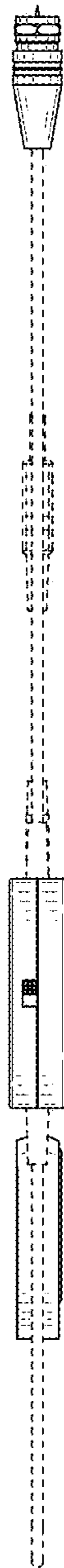


FIG. 6



FIG. 7

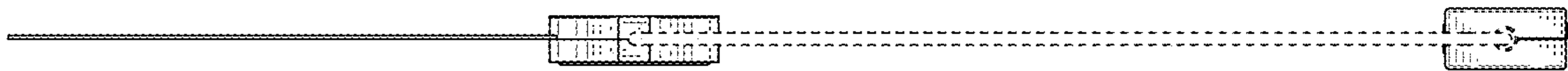


FIG. 8

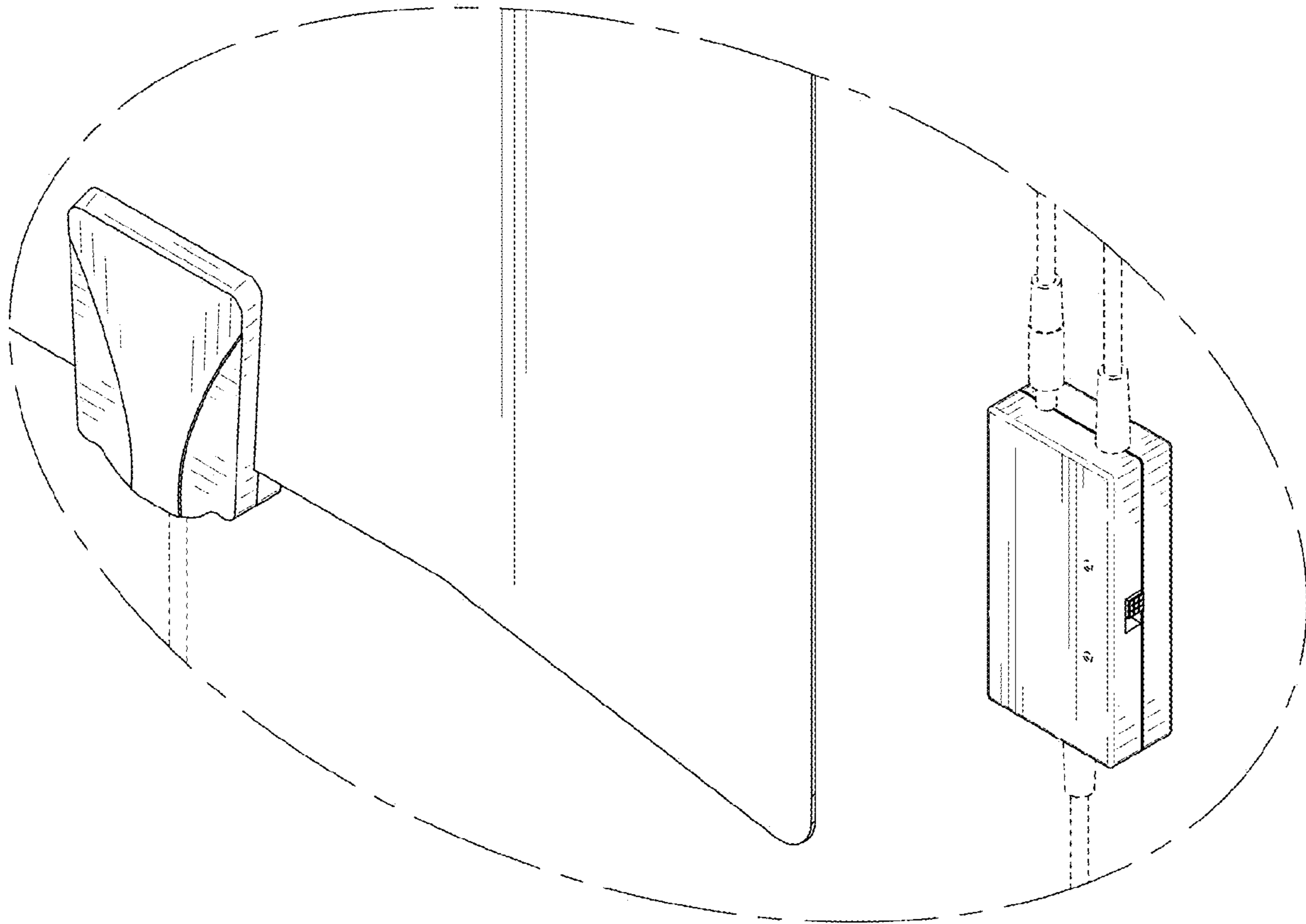


FIG. 9

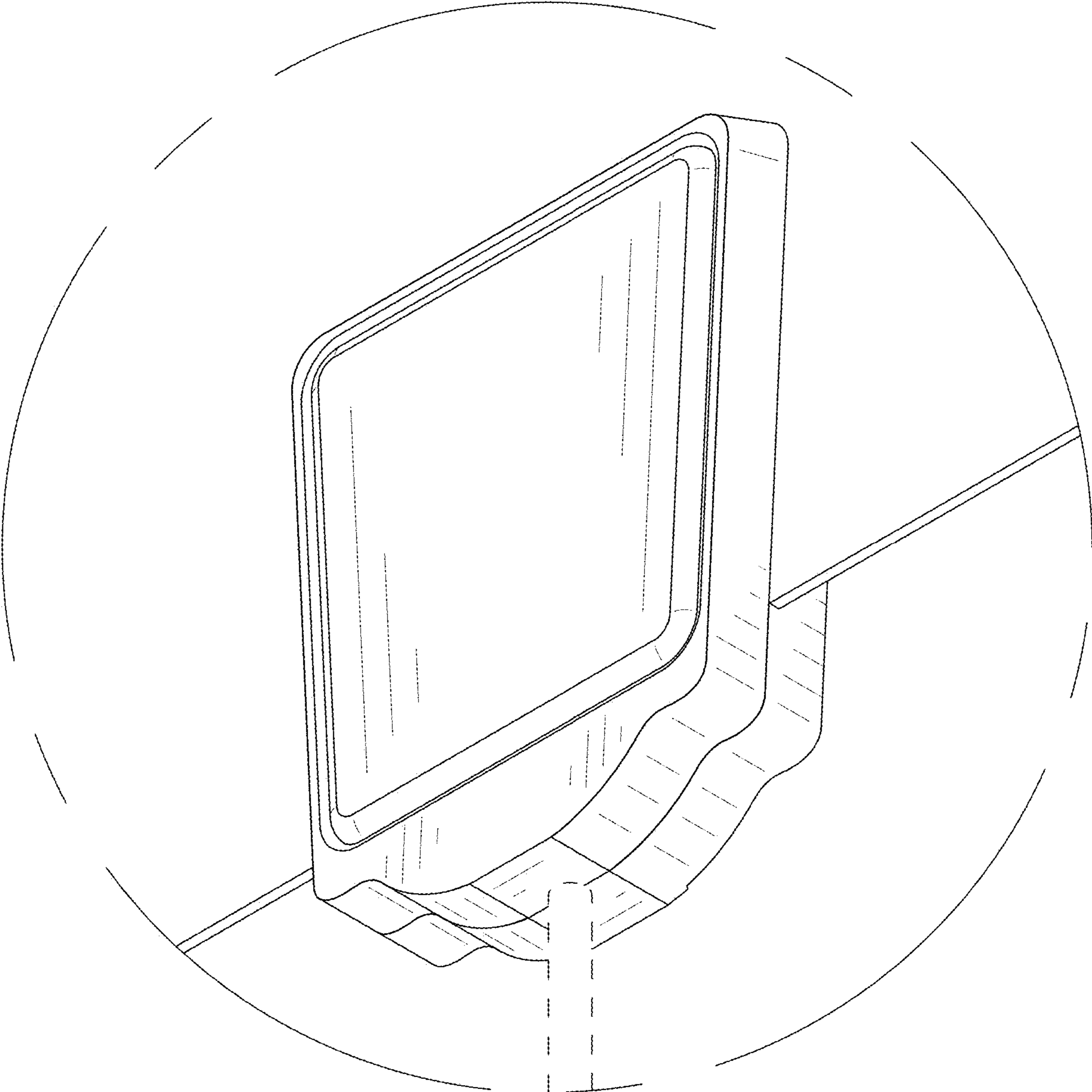


FIG. 10