



US00D934841S

(12) **United States Design Patent**
Takubo et al.

(10) **Patent No.:** **US D934,841 S**

(45) **Date of Patent:** **** *Nov. 2, 2021**

(54) **EARPHONE**

(71) Applicant: **Audio-Technica Corporation**, Tokyo (JP)

(72) Inventors: **Yosuke Takubo**, Kanagawa (JP);
Takashi Nara, Kanagawa (JP); **Jin Kuramoto**, Tokyo (JP)

(73) Assignee: **AUDIO-TECHNICA CORPORATION**, Tokyo (JP)

(*) Notice: This patent is subject to a terminal disclaimer.

(**) Term: **15 Years**

(21) Appl. No.: **29/742,053**

(22) Filed: **Oct. 24, 2019**

(30) **Foreign Application Priority Data**

Apr. 25, 2019 (JP) 2019-009309

(51) **LOC (13) Cl.** **14-01**

(52) **U.S. Cl.**
USPC **D14/223**

(58) **Field of Classification Search**
USPC D14/223, 205; D24/174; 128/864, 865,
128/866; 381/380, 381; 455/90.3, 575.1,
455/569.1
CPC H04R 1/10; H04R 25/00; H04R 25/02;
H04R 1/1066; H04R 1/1016; H04R
5/033; H04R 5/0335; H04R 1/1058;
H04R 1/1091

See application file for complete search history.

(56) **References Cited**

U.S. PATENT DOCUMENTS

2,377,739 A 6/1945 Wycoff
D184,840 S 4/1959 Veorlas

D266,271 S * 9/1982 Johanson D24/174
D287,280 S * 12/1986 Topholm D24/174
D287,764 S * 1/1987 Topholm D24/174
D287,765 S * 1/1987 Topholm D24/174
D300,528 S * 4/1989 Drane D13/171
D304,944 S * 12/1989 Behringer D14/188
D305,022 S * 12/1989 Hallgren D13/171
D321,881 S 11/1991 Hopewell
D374,658 S * 10/1996 Bever D13/171
D464,630 S * 10/2002 Woodworth D13/171
D469,411 S * 1/2003 Decosse D13/171
D481,709 S * 11/2003 Solderits D14/223
D482,022 S * 11/2003 Nakano D14/223
D505,411 S * 5/2005 Sakai D14/192

(Continued)

FOREIGN PATENT DOCUMENTS

EM 007080395-0001 * 4/2019
EM 007080395-0002 * 4/2019

(Continued)

Primary Examiner — Paula Allen Greene
(74) *Attorney, Agent, or Firm* — W&C IP

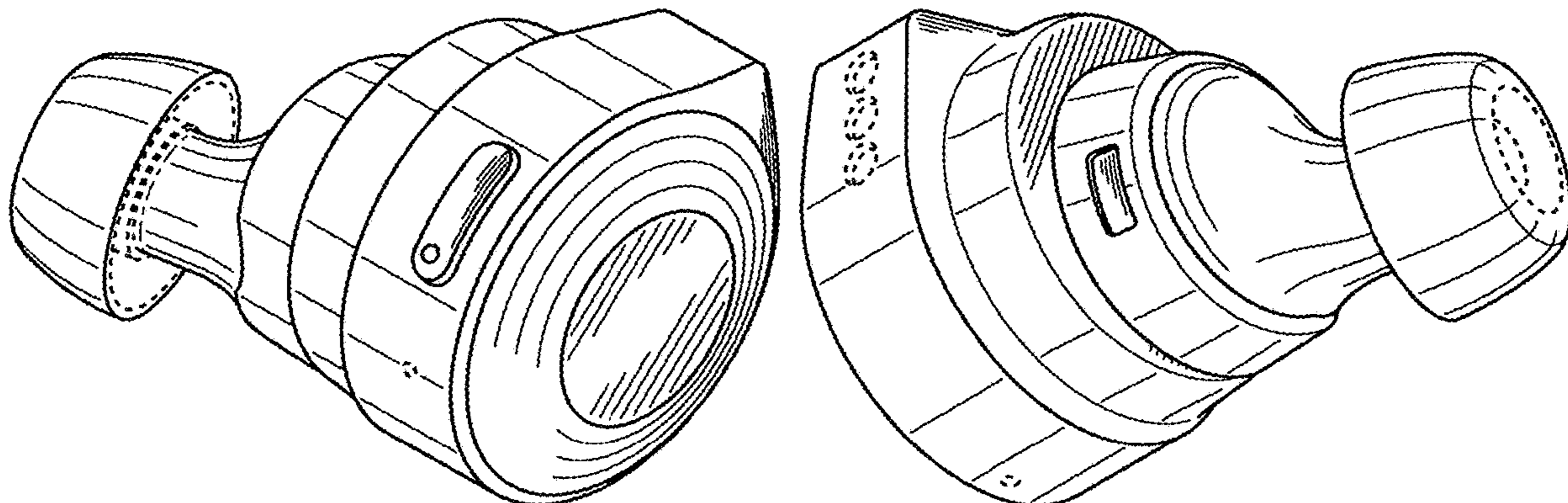
(57) **CLAIM**

The ornamental design for an earphone, as shown and described.

DESCRIPTION

FIG. 1 is a front elevational view of an earphone;
FIG. 2 is a rear elevational view of the earphone;
FIG. 3 is a top plan view of the earphone;
FIG. 4 is a bottom plan view of the earphone;
FIG. 5 is a right side elevational view of the earphone;
FIG. 6 is a left side elevational view of the earphone;
FIG. 7 is a front perspective view of the earphone; and,
FIG. 8 is a rear perspective view of the earphone.
Portions of the drawings shown in broken lines form no part of the claimed design.
The dot dash line represents a boundary of the claim and forms no part thereof.

1 Claim, 8 Drawing Sheets



(56)

References Cited

U.S. PATENT DOCUMENTS

D505,415 S * 5/2005 Han D14/223
 D511,768 S * 11/2005 Naito D14/205
 D512,417 S * 12/2005 Hirakawa D14/223
 D529,901 S 10/2006 Ohta
 D532,520 S * 11/2006 Kampmeier D24/174
 D542,282 S * 5/2007 Yoshiyama D14/223
 D543,972 S * 6/2007 Taylor D14/223
 D559,837 S * 1/2008 Nakano D14/223
 D568,290 S * 5/2008 Wikel D14/205
 D575,278 S * 8/2008 Guccione D14/223
 D579,006 S * 10/2008 Kim D14/223
 D588,111 S * 3/2009 Komiyama D14/223
 D603,380 S * 11/2009 Hutchieson D14/223
 D620,884 S * 8/2010 Lee D13/108
 D637,999 S * 5/2011 Brunner D14/205
 D642,163 S * 7/2011 Lee D14/223
 D643,414 S * 8/2011 Lee D14/223
 D666,580 S * 9/2012 Lee D14/223
 D694,182 S * 11/2013 Lee D13/108
 D699,215 S 2/2014 Koch et al.
 D705,757 S 5/2014 Yashiro
 8,737,669 B2 5/2014 Monahan et al.
 D711,858 S * 8/2014 Yang D14/223
 D718,236 S * 11/2014 Murray D13/108
 D735,131 S * 7/2015 Akana D13/108
 D773,437 S * 12/2016 Lee D14/223
 D777,710 S * 1/2017 Palmborg D14/223
 D781,269 S 3/2017 Choe et al.
 D789,909 S * 6/2017 Hung D14/223

D795,225 S * 8/2017 Sumii D14/223
 D799,452 S 10/2017 Lee
 D806,879 S * 1/2018 Horbinski D24/174
 D813,848 S * 3/2018 Palmborg D14/223
 D826,211 S * 8/2018 Kim D14/206
 D841,626 S * 2/2019 Tang D14/223
 D842,844 S 3/2019 Li
 D863,260 S * 10/2019 Zheng D14/223
 D883,958 S * 5/2020 Liu D14/223
 D892,085 S 8/2020 Kim
 D892,087 S * 8/2020 Briggs D14/223
 D897,318 S * 9/2020 Blundell D14/223
 D897,322 S * 9/2020 Wei D14/223
 10,827,249 B1 * 11/2020 Pine H04R 1/1016
 D904,349 S 12/2020 Saxton et al.
 D912,016 S * 3/2021 Ando D14/223
 2013/0163804 A1 6/2013 Hwang
 2014/0140565 A1 5/2014 Liu
 2016/0316292 A1 * 10/2016 Huang H04R 1/2834
 2018/0332379 A1 11/2018 McGarry et al.
 2018/0376236 A1 12/2018 Prevoir et al.
 2019/0014403 A1 * 1/2019 Lee H04R 1/1016
 2020/0177981 A1 6/2020 Ma
 2020/0186906 A1 6/2020 Birch
 2020/0219525 A1 7/2020 Moon et al.
 2021/0006890 A1 * 1/2021 Zhang H04R 1/1066

FOREIGN PATENT DOCUMENTS

EM 007729173-0001 9/2019
 JP 1644596 S 10/2019

* cited by examiner

FIG. 1

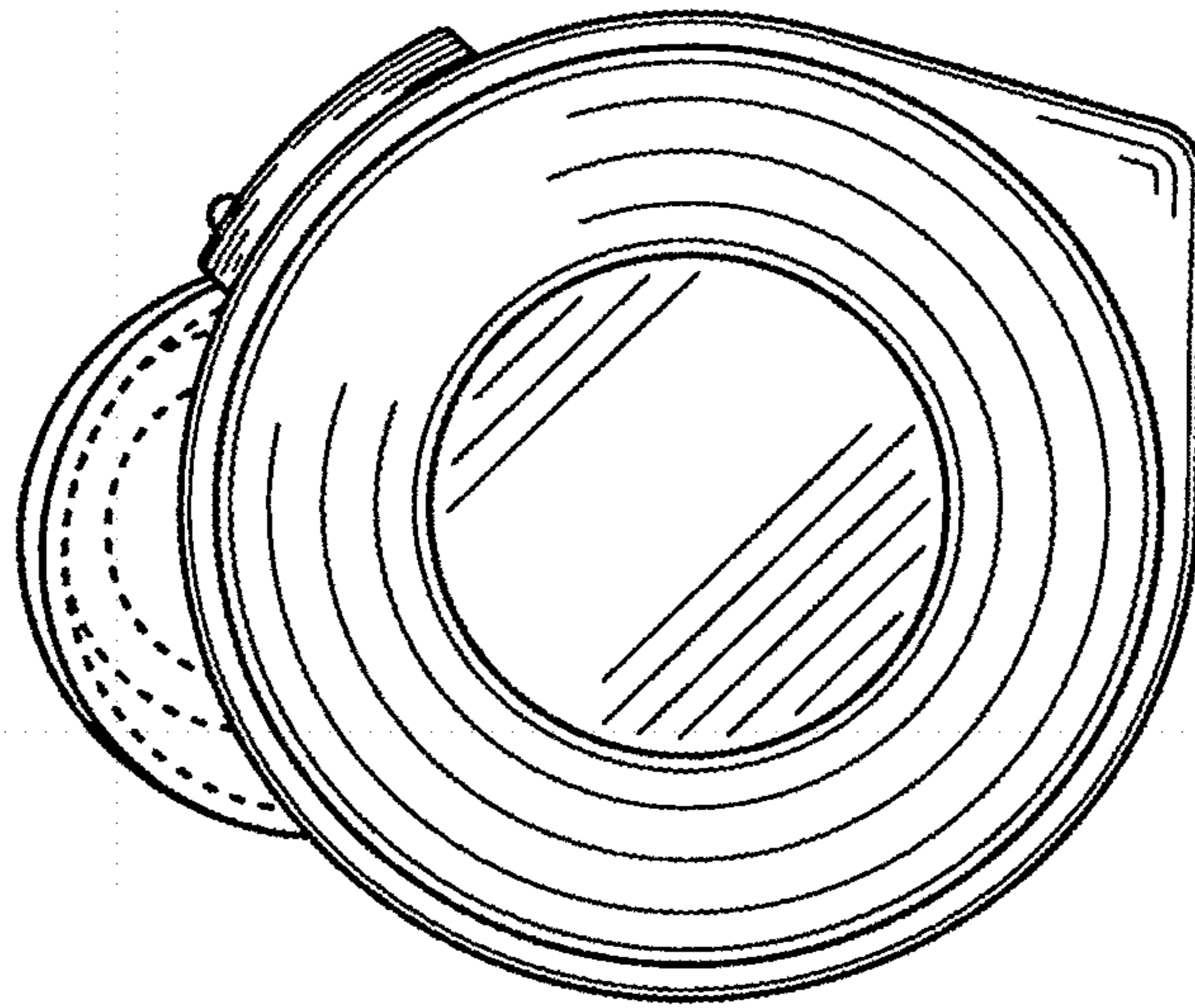


FIG. 2

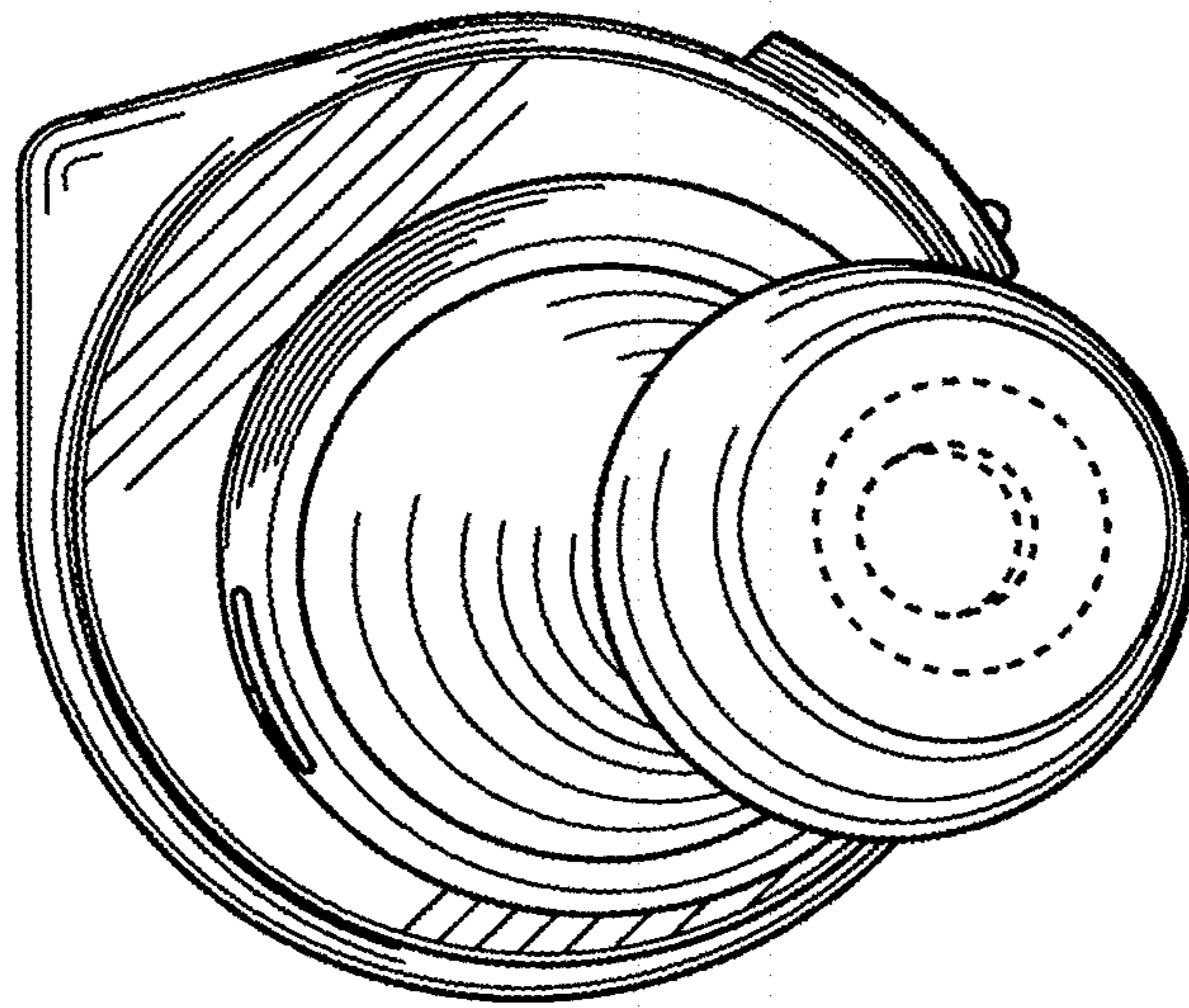


FIG. 3

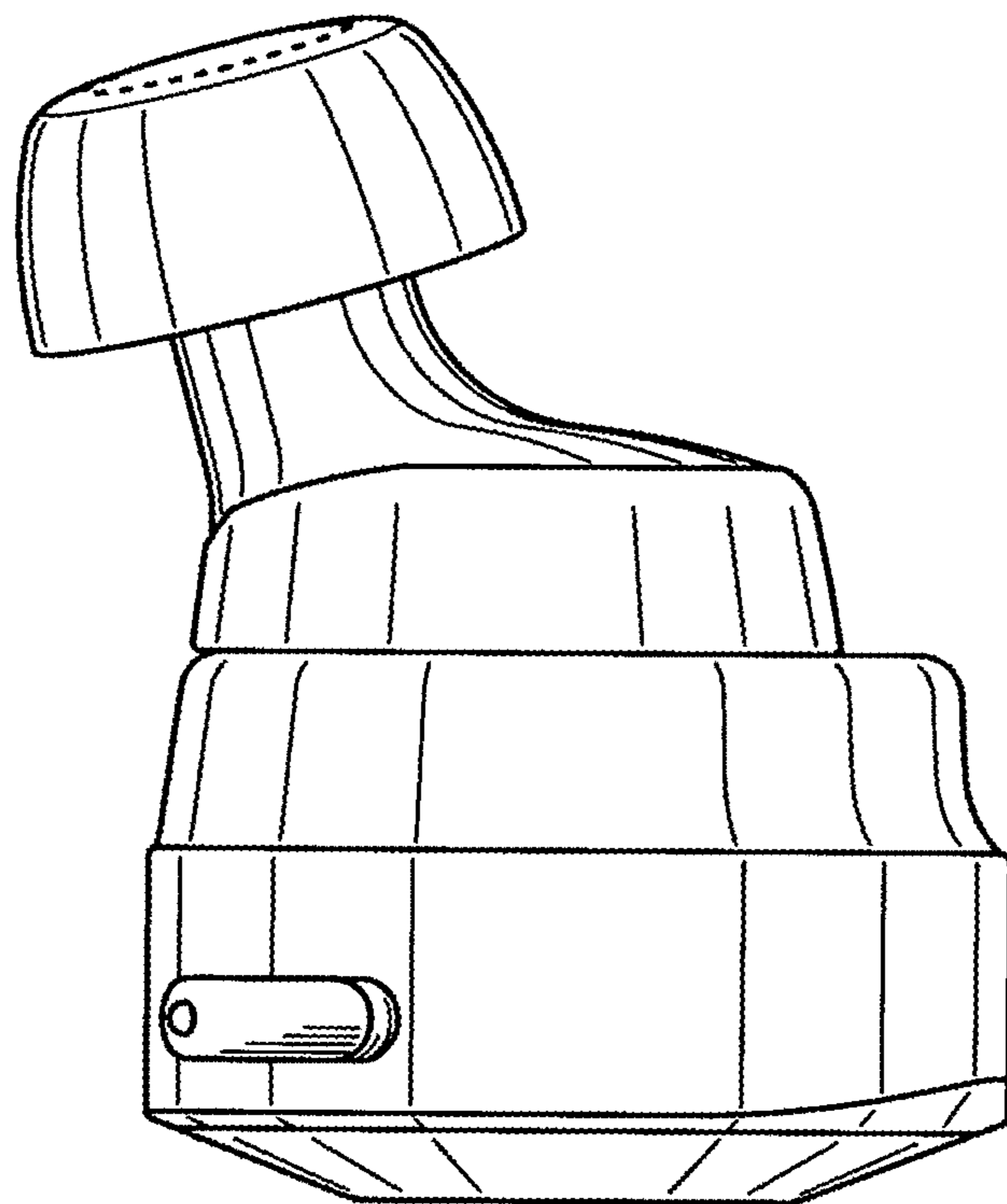


FIG. 4

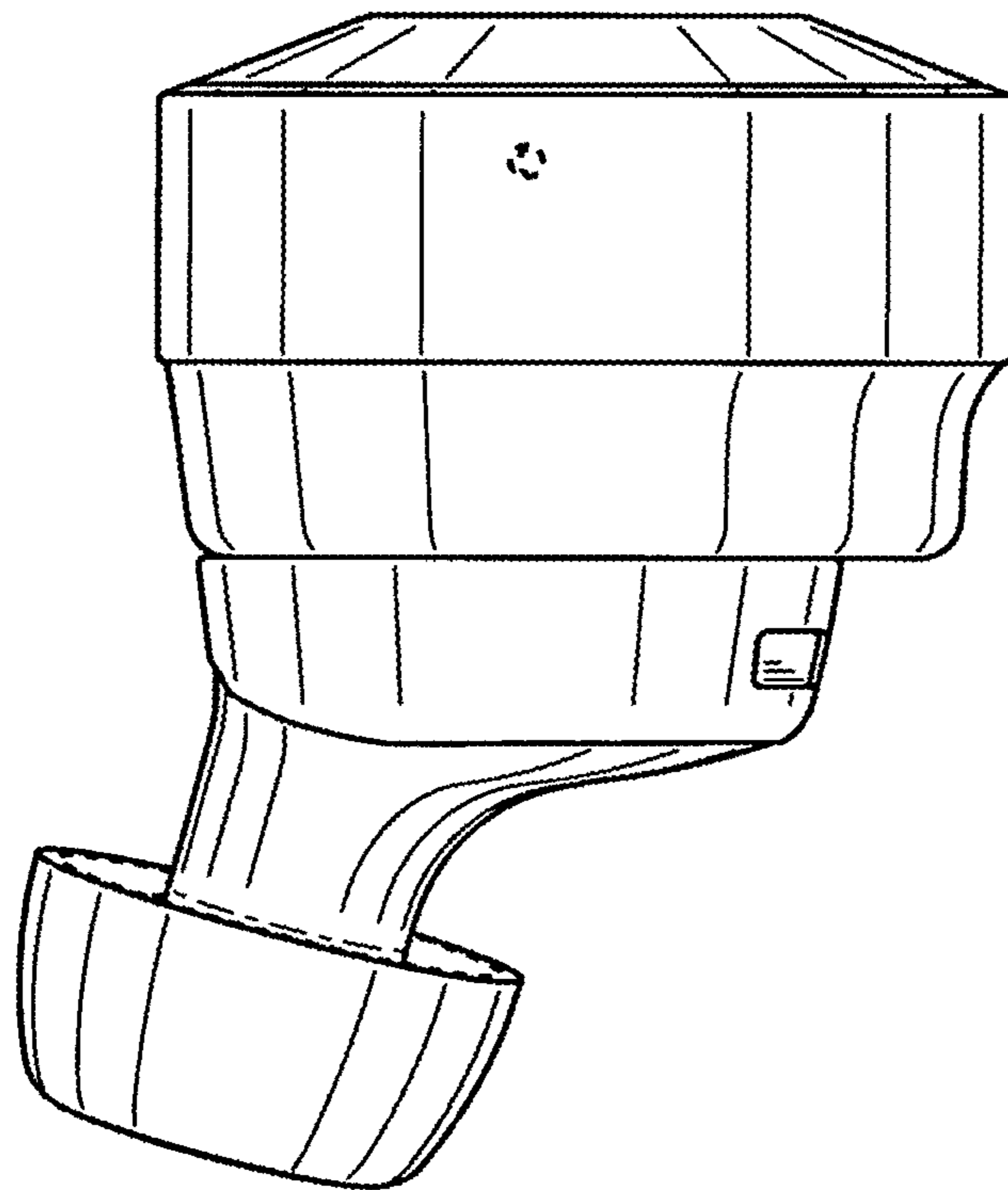


FIG. 5

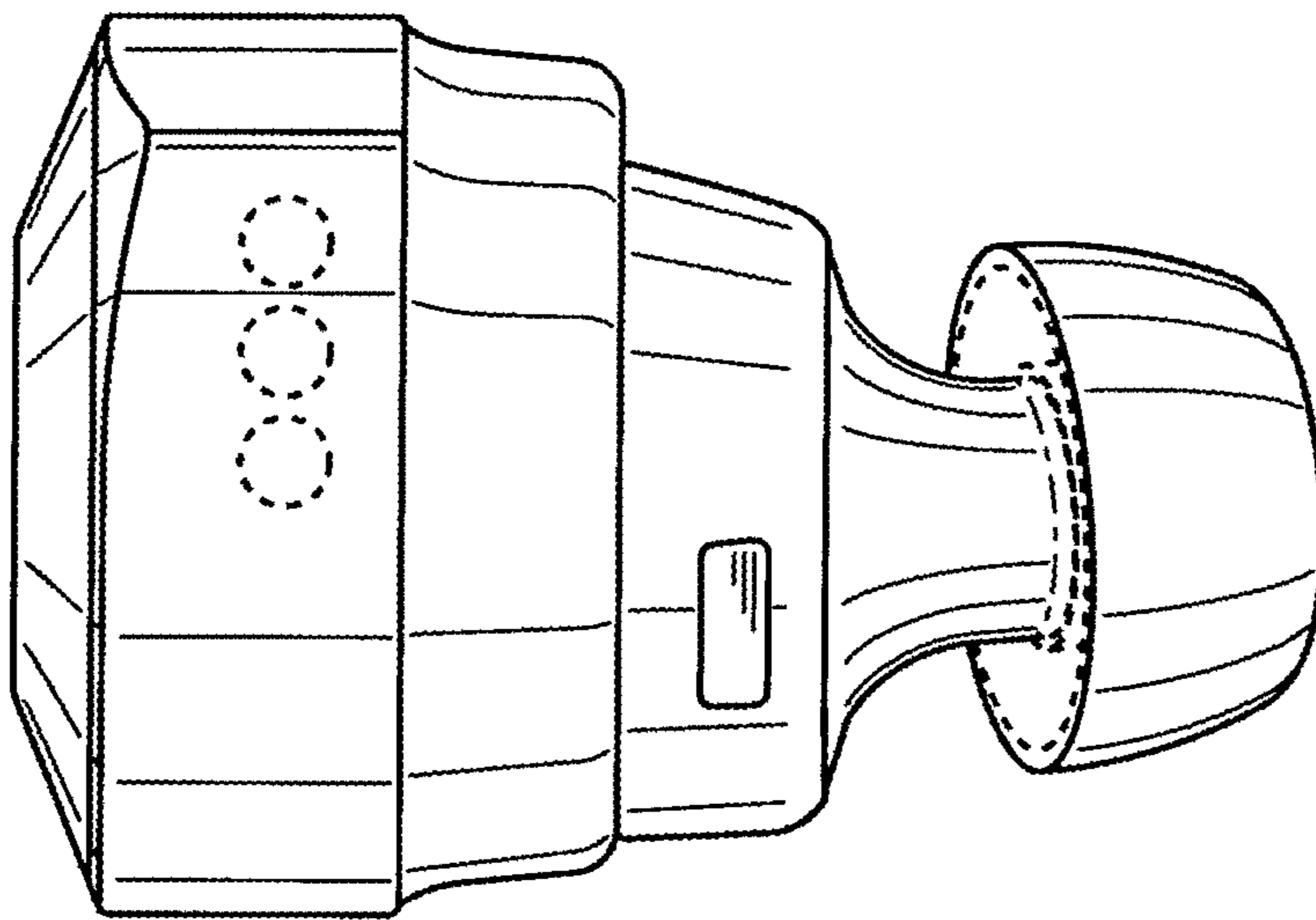


FIG. 6

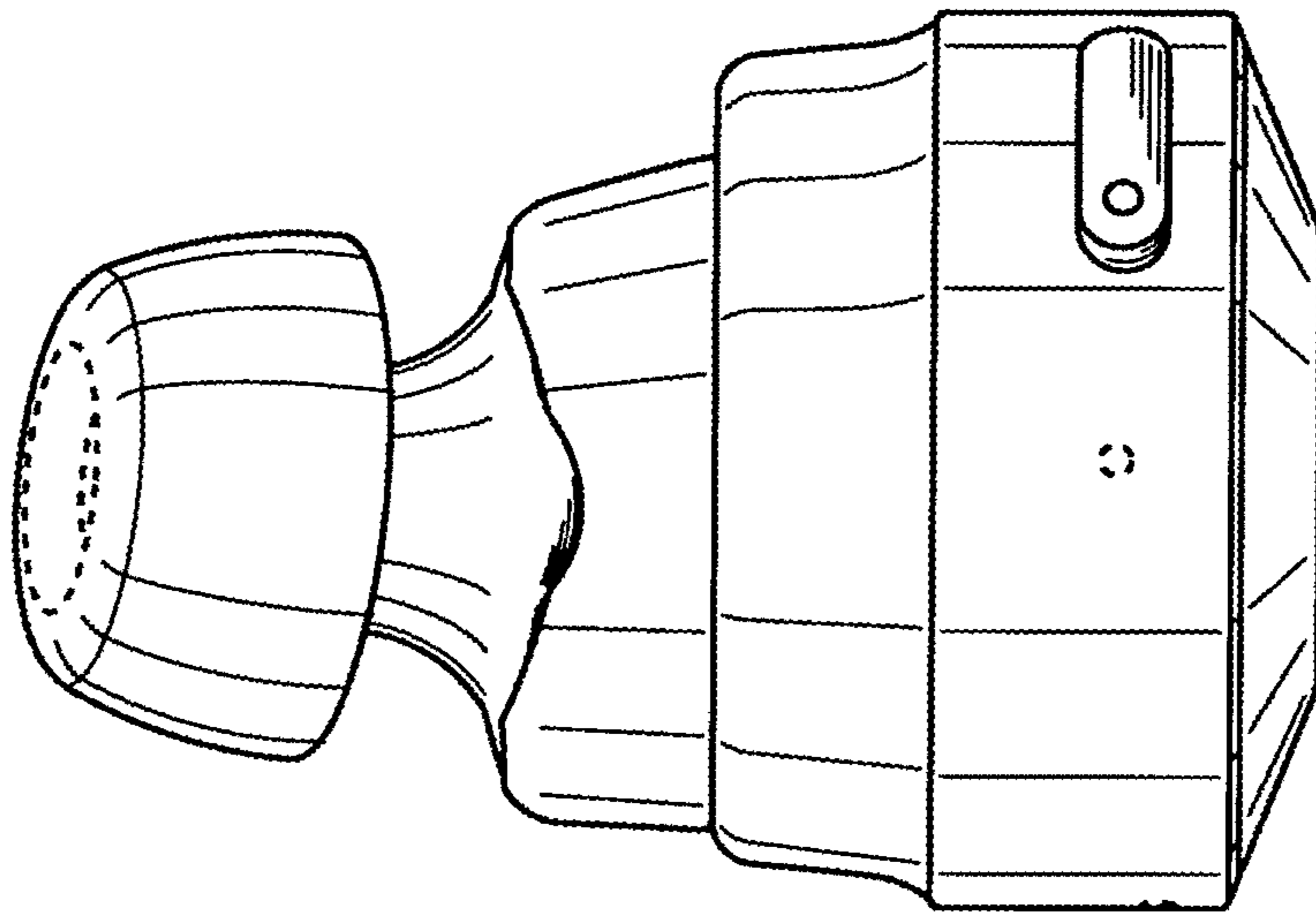


FIG. 7

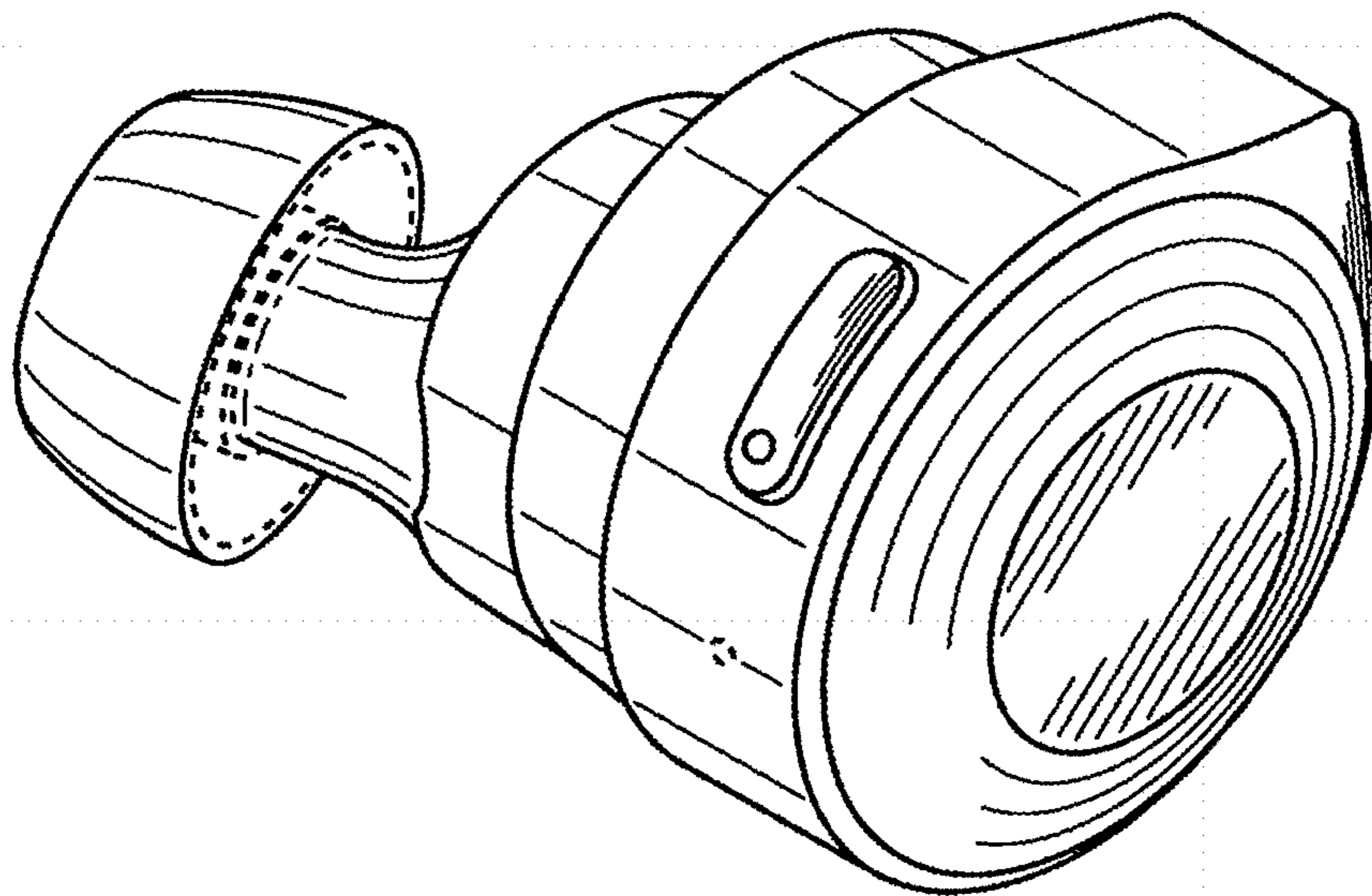


FIG. 8

