



US00D934840S

(12) **United States Design Patent**  
**Takubo et al.**

(10) **Patent No.:** **US D934,840 S**

(45) **Date of Patent:** **\*\* Nov. 2, 2021**

(54) **EARPHONE**

(71) Applicant: **Audio-Technica Corporation**, Tokyo (JP)

(72) Inventors: **Yosuke Takubo**, Kanagawa (JP); **Takashi Nara**, Kanagawa (JP); **Jin Kuramoto**, Tokyo (JP)

(73) Assignee: **Audio-Technica Corporation**, Tokyo (JP)

(\*\*) Term: **15 Years**

(21) Appl. No.: **29/742,052**

(22) Filed: **Oct. 24, 2019**

(30) **Foreign Application Priority Data**

Apr. 25, 2019 (JP) ..... 2019-009308

(51) **LOC (13) Cl.** ..... **14-01**

(52) **U.S. Cl.**  
USPC ..... **D14/223**

(58) **Field of Classification Search**  
USPC ..... D14/223, 205; D24/174; 128/864, 865, 128/866; 381/380, 381; 455/90.3, 575.1, 455/569.1  
CPC ..... H04R 1/10; H04R 25/00; H04R 25/02; H04R 1/1066; H04R 1/1016; H04R 5/033; H04R 5/0335; H04R 1/1058; H04R 1/1091  
See application file for complete search history.

(56) **References Cited**

**U.S. PATENT DOCUMENTS**

2,377,739	A	6/1945	Wycoff	
D184,840	S	4/1959	Veorlas	
D266,271	S *	9/1982	Johanson	D24/174
D287,280	S *	12/1986	Topholm	D24/174
D287,764	S *	1/1987	Topholm	D24/174

D287,765	S *	1/1987	Topholm	D24/174
D300,528	S *	4/1989	Drane	D13/171
D304,944	S *	12/1989	Behringer	D14/188
D305,022	S *	12/1989	Hallgren	D13/171
D321,881	S	11/1991	Hopewell	
D374,658	S *	10/1996	Bever	D13/171
D464,630	S *	10/2002	Woodworth	D13/171
D469,411	S *	1/2003	Decosse	D13/171
D481,709	S *	11/2003	Solderits	D14/223
D482,022	S *	11/2003	Nakano	D14/223
D505,411	S *	5/2005	Sakai	D14/192
D505,415	S *	5/2005	Han	D14/223
D511,768	S *	11/2005	Naito	D14/205

(Continued)

**FOREIGN PATENT DOCUMENTS**

EM	007080395-0001	*	4/2019
EM	007080395-0002	*	4/2019

(Continued)

*Primary Examiner* — Paula Allen Greene

(74) *Attorney, Agent, or Firm* — W&C IP

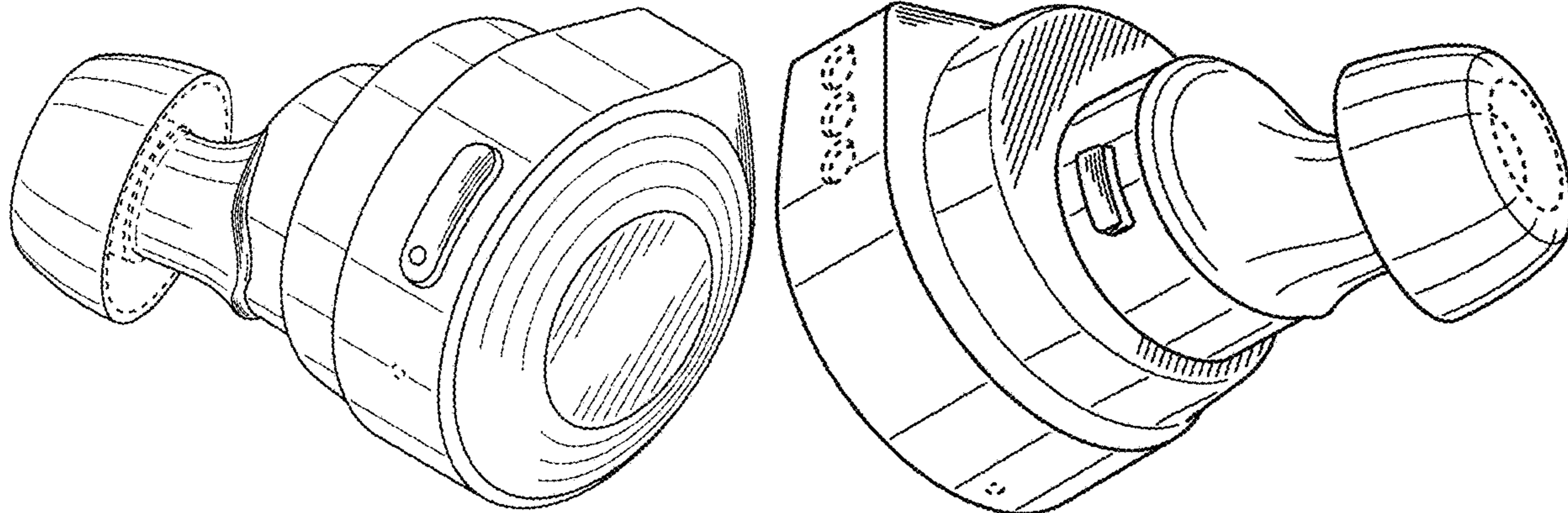
(57) **CLAIM**

The ornamental design for an earphone, as shown and described.

**DESCRIPTION**

FIG. 1 is a front elevational view of an earphone; FIG. 2 is a rear elevational view of the earphone; FIG. 3 is a top plan view of the earphone; FIG. 4 is a bottom plan view of the earphone; FIG. 5 is a right side elevational view of the earphone; FIG. 6 is a left side elevational view of the earphone; FIG. 7 is a front perspective view of the earphone; and, FIG. 8 is a rear perspective view of the earphone. Portions of the drawings shown in broken lines form no part of the claimed design. The dot dash line represents a boundary of the claim and forms no part thereof.

**1 Claim, 8 Drawing Sheets**



(56)

References Cited

U.S. PATENT DOCUMENTS

D512,417 S \* 12/2005 Hirakawa ..... D14/223  
 D529,901 S 10/2006 Ohta  
 D532,520 S \* 11/2006 Kampmeier ..... D24/174  
 D542,282 S \* 5/2007 Yoshiyama ..... D14/223  
 D543,972 S \* 6/2007 Taylor ..... D14/223  
 D559,837 S \* 1/2008 Nakano ..... D14/223  
 D568,290 S \* 5/2008 Wikel ..... D14/205  
 D575,278 S \* 8/2008 Guccione ..... D14/223  
 D579,006 S \* 10/2008 Kim ..... D14/223  
 D588,111 S \* 3/2009 Komiyama ..... D14/223  
 D603,380 S \* 11/2009 Hutchieson ..... D14/223  
 D620,884 S \* 8/2010 Lee ..... D13/108  
 D637,999 S \* 5/2011 Brunner ..... D14/205  
 D642,163 S \* 7/2011 Lee ..... D14/223  
 D643,414 S \* 8/2011 Lee ..... D14/223  
 D666,580 S \* 9/2012 Lee ..... D14/223  
 D694,182 S \* 11/2013 Lee ..... D13/108  
 D699,215 S 2/2014 Koch et al.  
 D705,757 S 5/2014 Yashiro  
 8,737,669 B2 5/2014 Monahan et al.  
 D711,858 S \* 8/2014 Yang ..... D14/223  
 D718,236 S \* 11/2014 Murray ..... D13/108  
 D735,131 S \* 7/2015 Akana ..... D13/108  
 D773,437 S \* 12/2016 Lee ..... D14/223  
 D777,710 S \* 1/2017 Palmborg ..... D14/223  
 D781,269 S 3/2017 Choe et al.  
 D789,909 S \* 6/2017 Hung ..... D14/223  
 D795,225 S \* 8/2017 Sumii ..... D14/223

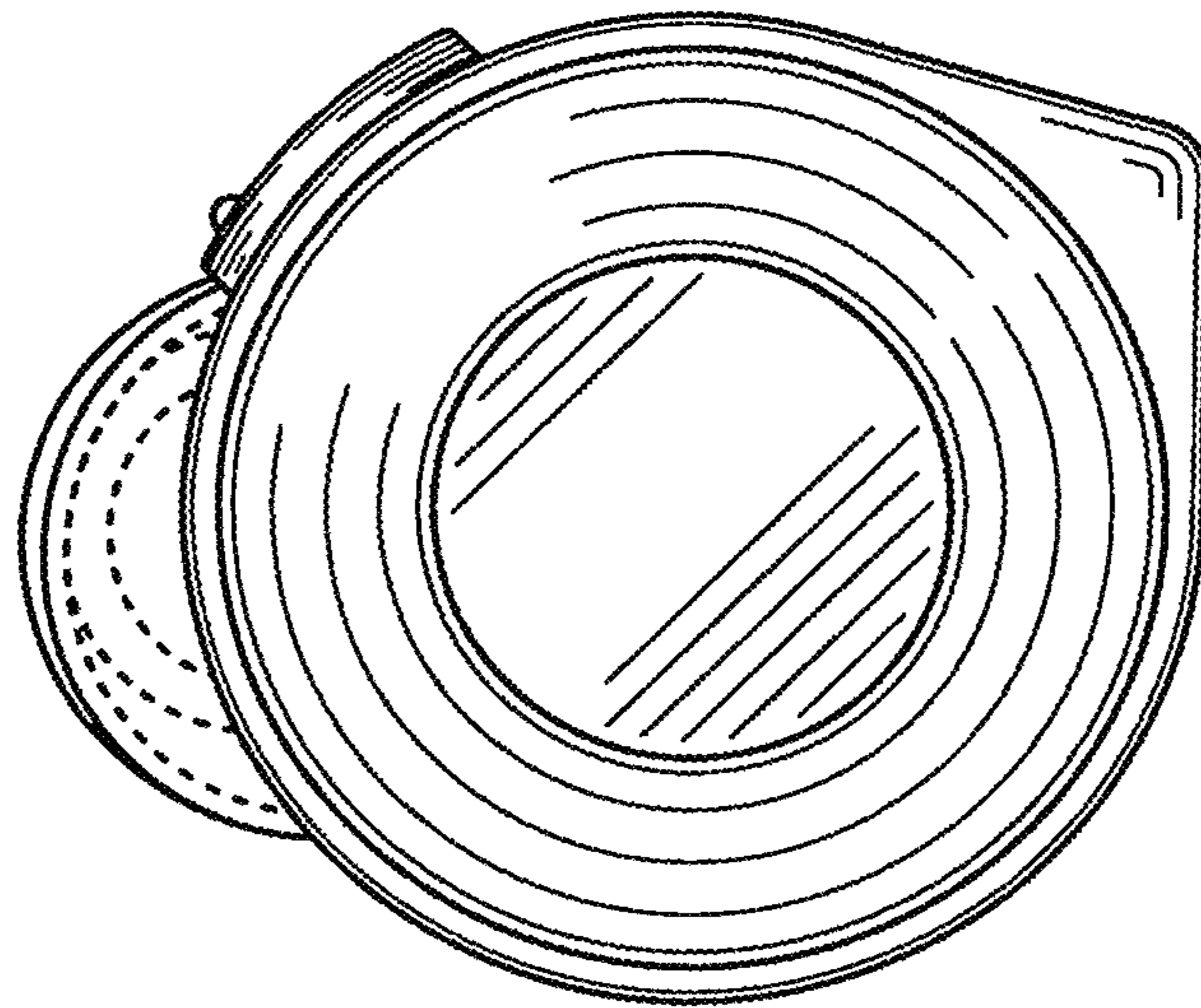
D799,452 S 10/2017 Lee  
 D806,879 S \* 1/2018 Horbinski ..... D24/174  
 D813,848 S \* 3/2018 Palmborg ..... D14/223  
 D826,211 S \* 8/2018 Kim ..... D14/206  
 D841,626 S \* 2/2019 Tang ..... D14/223  
 D842,844 S 3/2019 Li  
 D863,260 S \* 10/2019 Zheng ..... D14/223  
 D883,958 S \* 5/2020 Liu ..... D14/223  
 D892,085 S 8/2020 Kim  
 D892,087 S \* 8/2020 Briggs ..... D14/223  
 D897,318 S \* 9/2020 Blundell ..... D14/223  
 D897,322 S \* 9/2020 Wei ..... D14/223  
 10,827,249 B1 \* 11/2020 Pine ..... H04R 1/1016  
 D904,349 S 12/2020 Saxton et al.  
 D912,016 S \* 3/2021 Ando ..... D14/223  
 2013/0163804 A1 6/2013 Hwang  
 2014/0140565 A1 5/2014 Liu  
 2016/0316292 A1 \* 10/2016 Huang ..... H04R 1/2834  
 2018/0332379 A1 11/2018 McGarry et al.  
 2018/0376236 A1 12/2018 Prevoir et al.  
 2019/0014403 A1 \* 1/2019 Lee ..... H04R 1/1016  
 2020/0177981 A1 6/2020 Ma  
 2020/0186906 A1 6/2020 Birch  
 2020/0219525 A1 7/2020 Moon et al.  
 2021/0006890 A1 \* 1/2021 Zhang ..... H04R 1/1066

FOREIGN PATENT DOCUMENTS

EM 007729173-0001 9/2019  
 JP 1644596 S 10/2019

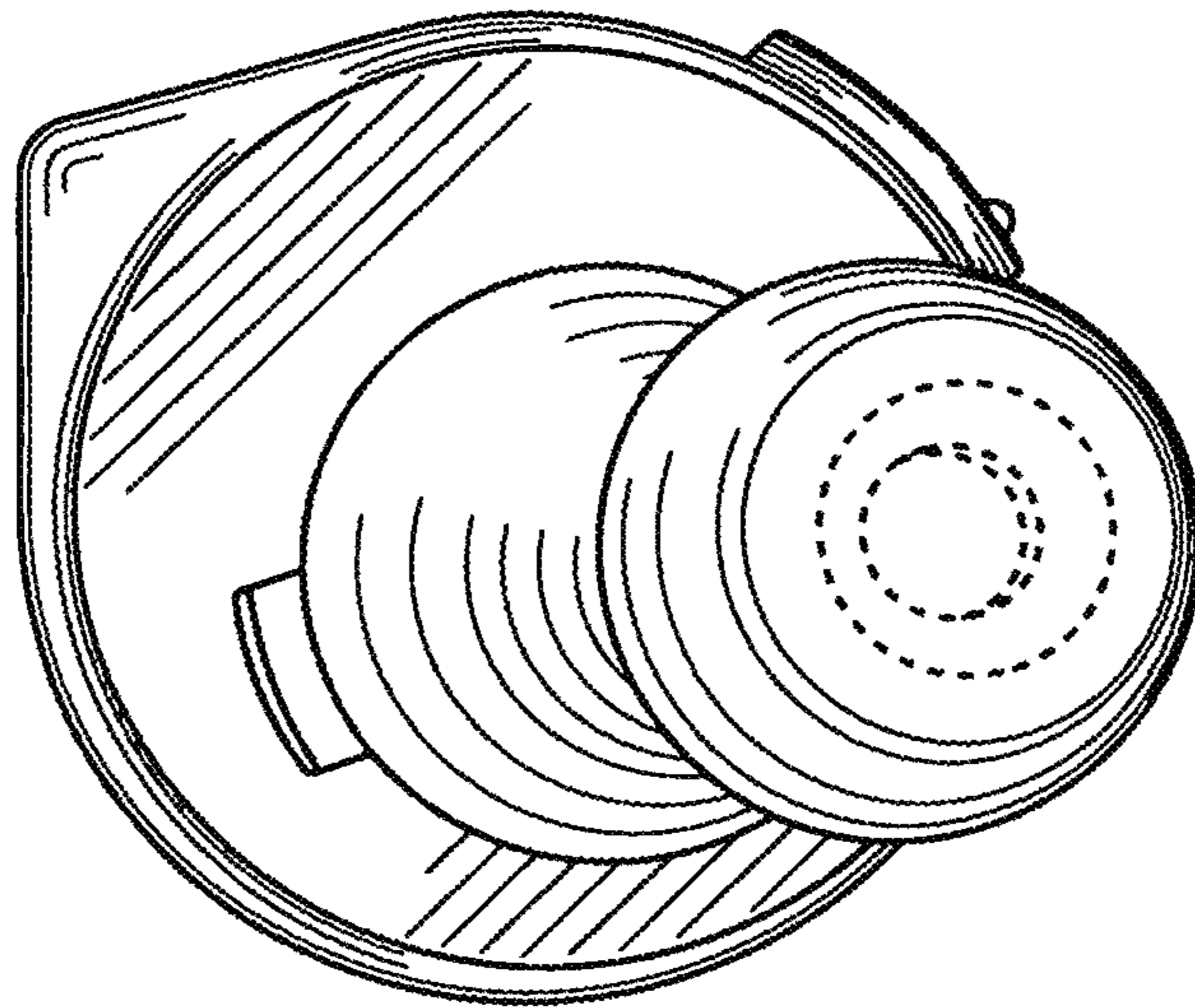
\* cited by examiner

*FIG. 1*

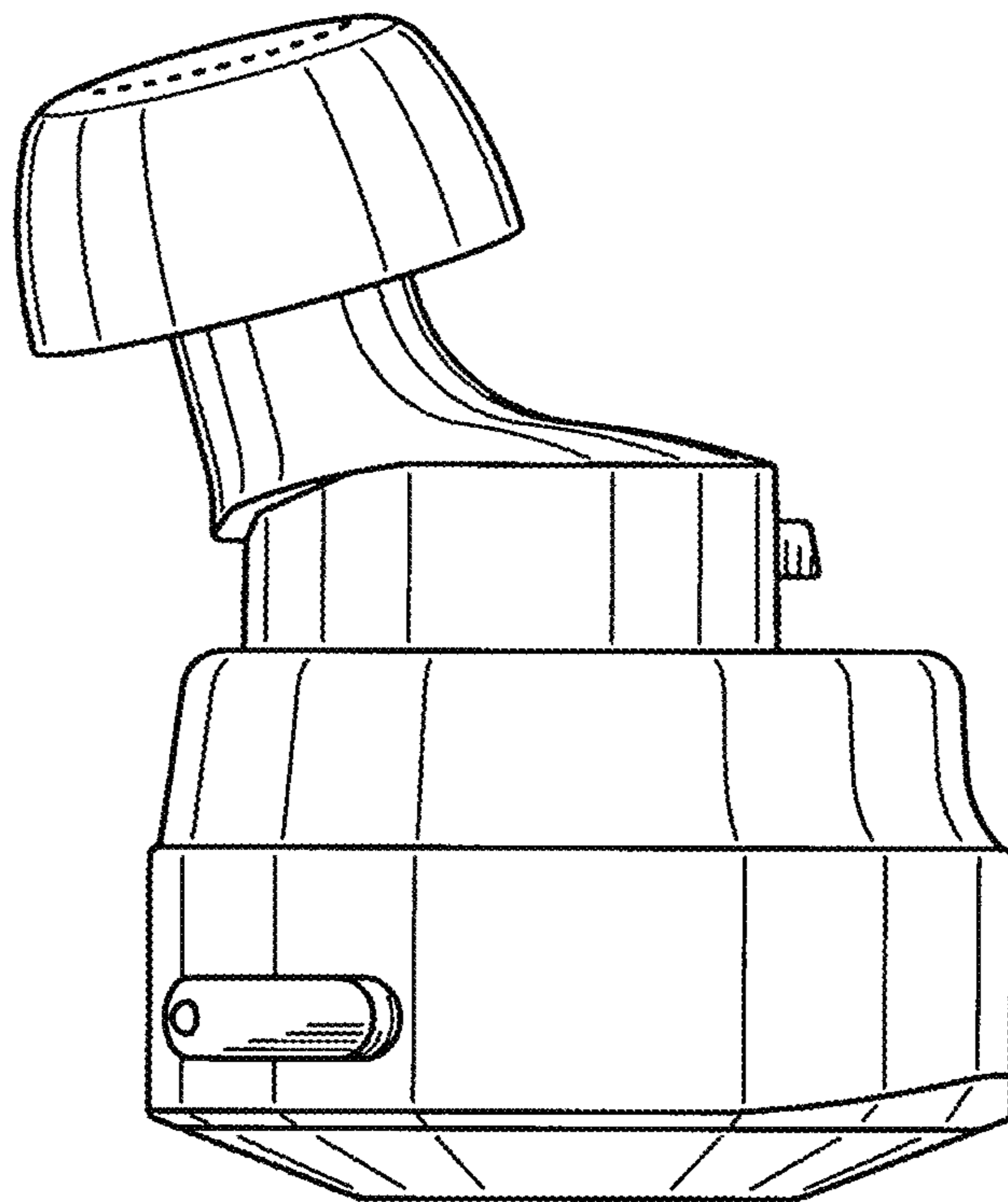




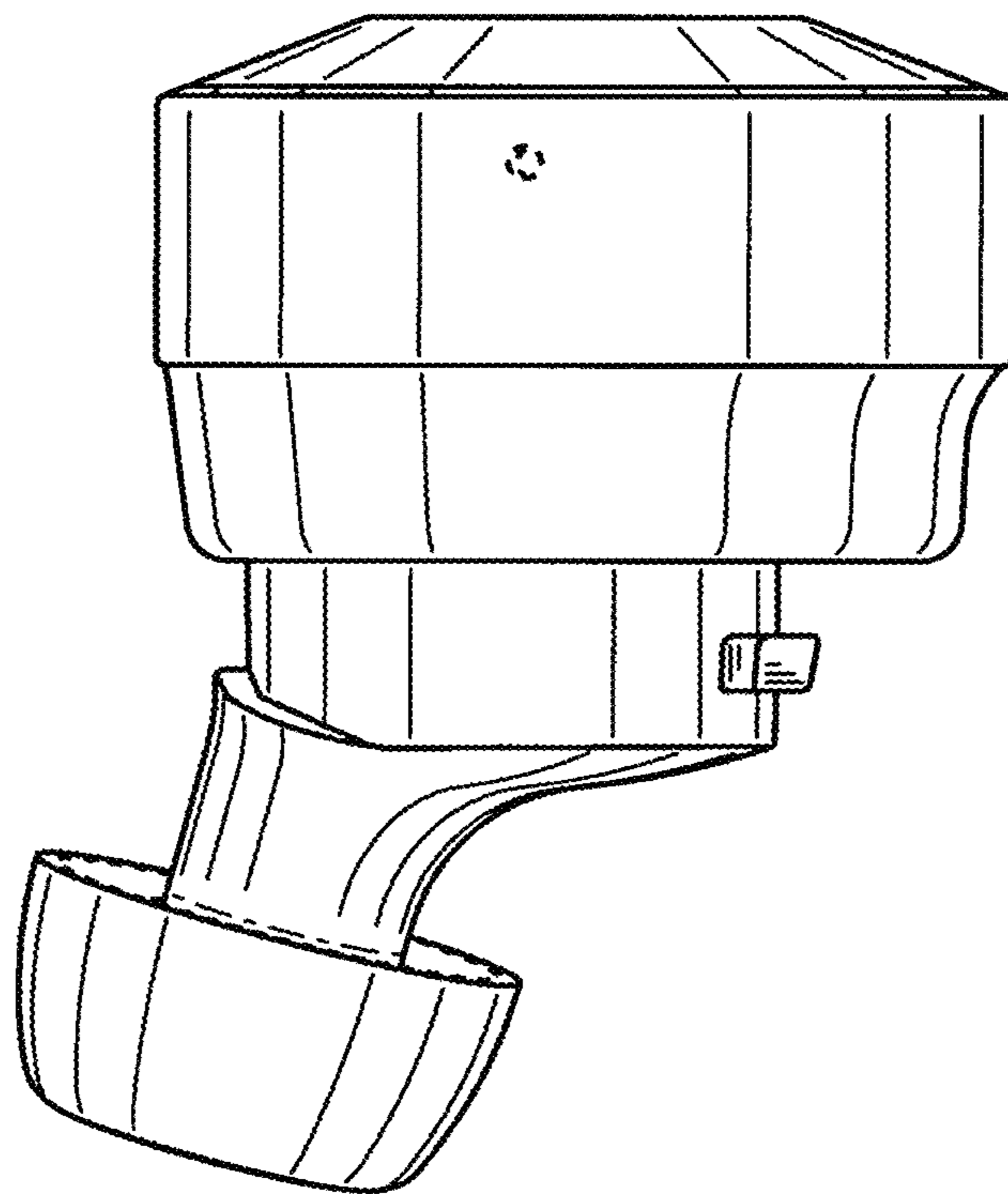
*FIG. 2*



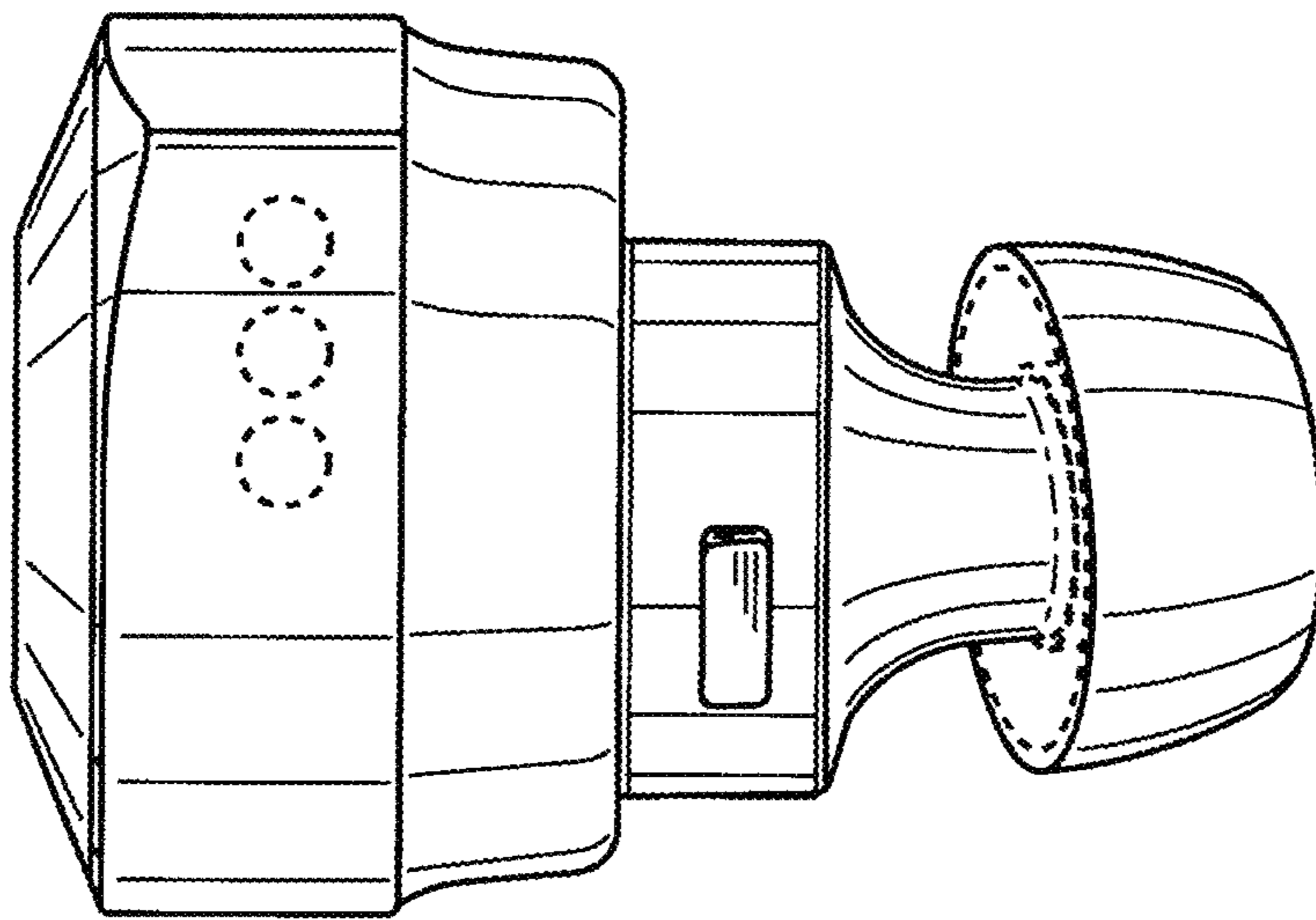
*FIG. 3*



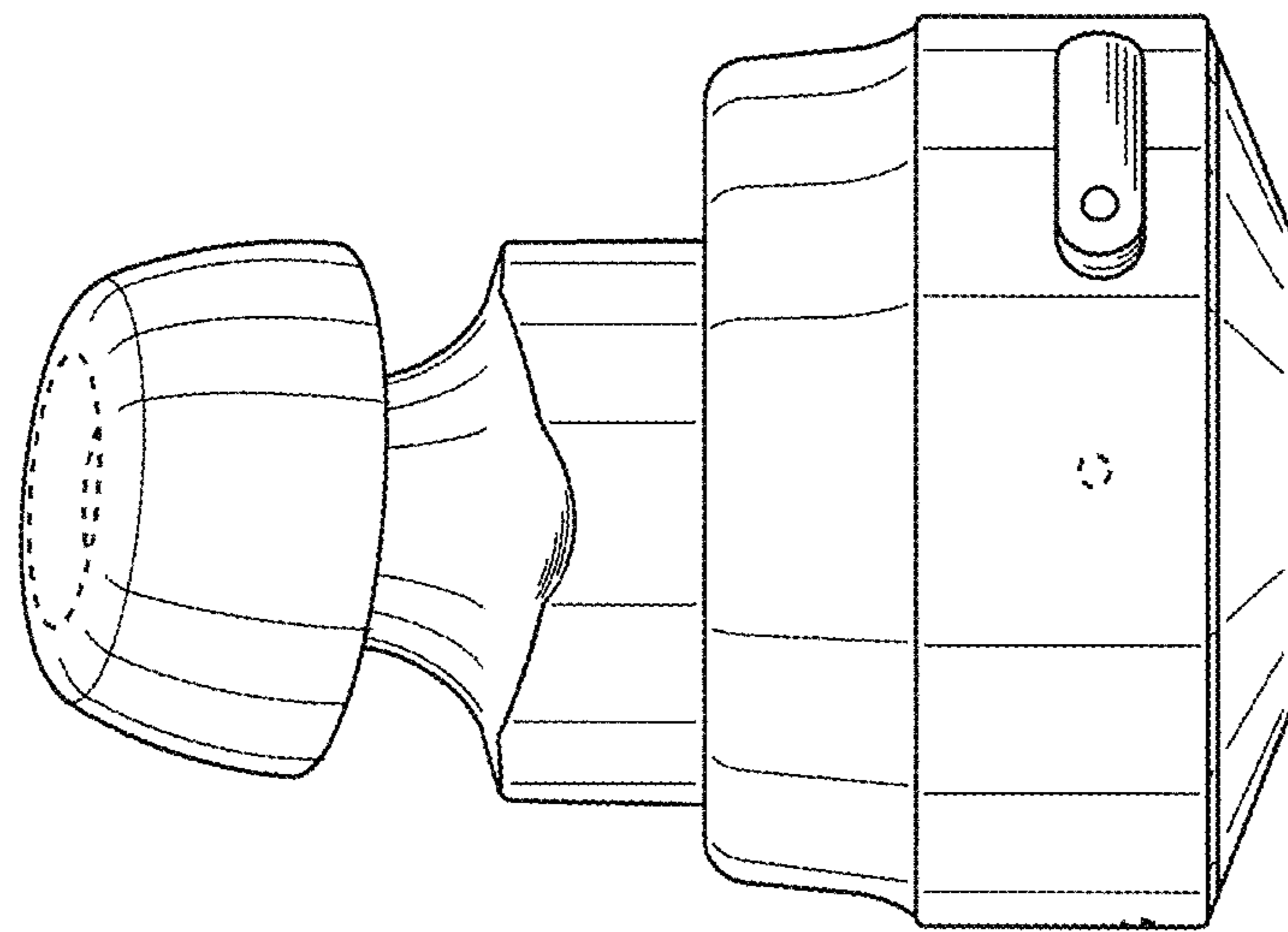
*FIG. 4*



*FIG. 5*

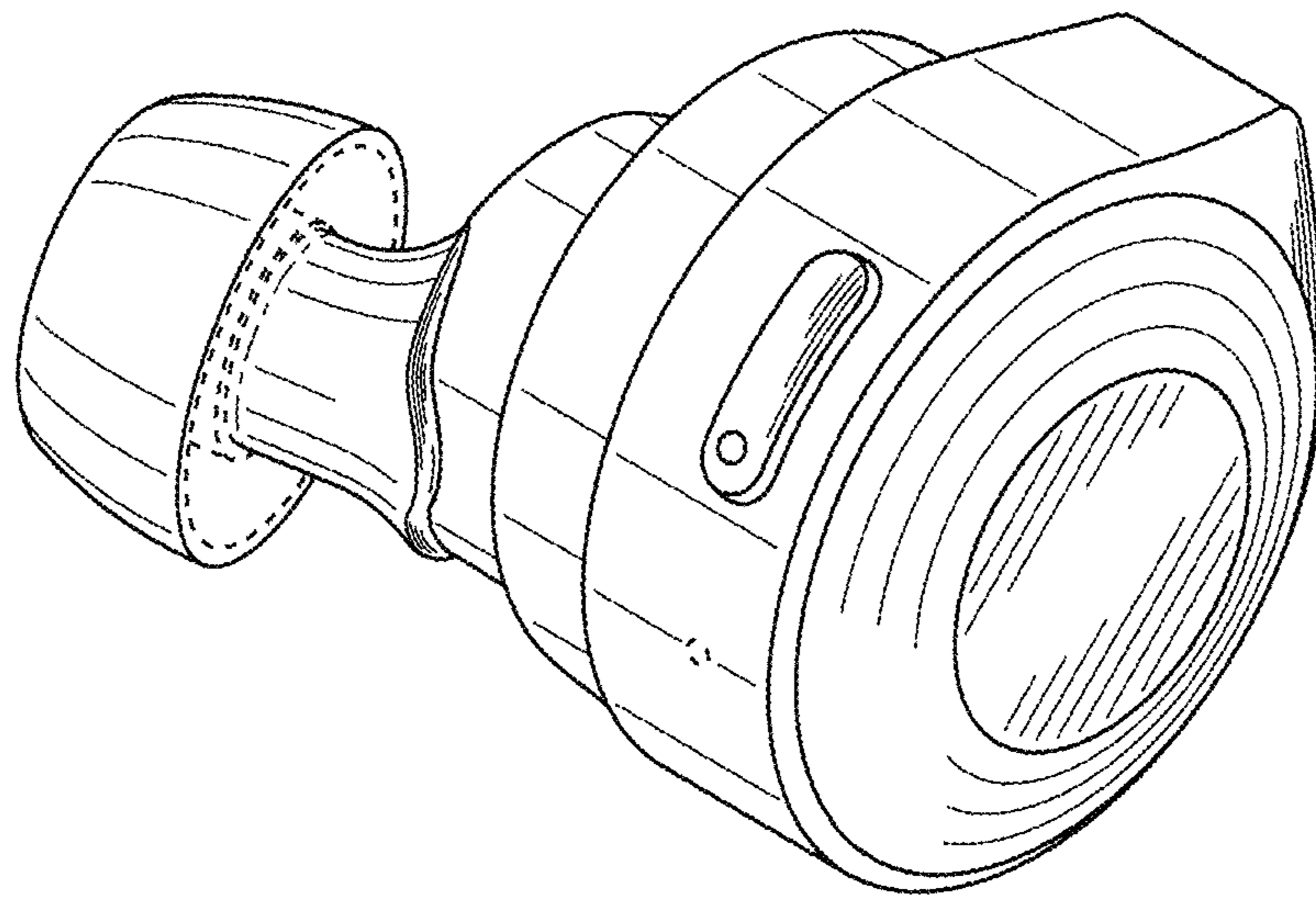


*FIG. 6*





*FIG. 7*



*FIG. 8*

