



US00D934835S

(12) **United States Design Patent** (10) **Patent No.:** **US D934,835 S**  
**Su** (45) **Date of Patent:** **\*\* Nov. 2, 2021**

(54) **COMMUNICATION EQUIPMENT**  
(71) Applicant: **YEALINK (XIAMEN) NETWORK TECHNOLOGY CO., LTD.**, Fujian (CN)  
(72) Inventor: **Jingfeng Su**, Fujian (CN)  
(73) Assignee: **YEALINK (XIAMEN) NETWORK TECHNOLOGY CO., LTD.**, Xiamen (CN)  
(\*\*) Term: **15 Years**  
(21) Appl. No.: **29/732,804**  
(22) Filed: **Apr. 28, 2020**  
(30) **Foreign Application Priority Data**  
Mar. 27, 2020 (CN) ..... 202030111831.2  
(51) **LOC (13) Cl.** ..... **14-03**  
(52) **U.S. Cl.**  
USPC ..... **D14/151**  
(58) **Field of Classification Search**  
USPC ..... D14/432-343, 357, 344, 140, 496, 401, D14/435, 474, 483, 209.1, 137, 138, D14/158-160, 168, 356, 203.1-203.8, D14/507, 155, 160-172, 212-218, 257, D14/258, 341, 346, 299, 266, 358, D14/454-445, 192, 221, 127-130, 211, D14/240, 243, 247-249, 251, 329, 455, D14/206, 204, 188, 147-151, 144, 142, D14/141.1, 138 R, 138 AA, 138 AB, D14/138 G, 138 AD; D3/215, 218, 904; D21/517, 333, 331, 566; D24/165, 185, D24/186; D18/1, 7; D10/104, 104.1, D10/106, 65, 78, 104.2, 70, 31-32, D10/38-38, 106.1, 106.3, 106.5;  
(Continued)

(56) **References Cited**  
U.S. PATENT DOCUMENTS  
D405,447 S \* 2/1999 Landry ..... D14/151  
D530,303 S \* 10/2006 Tang ..... D14/151  
(Continued)

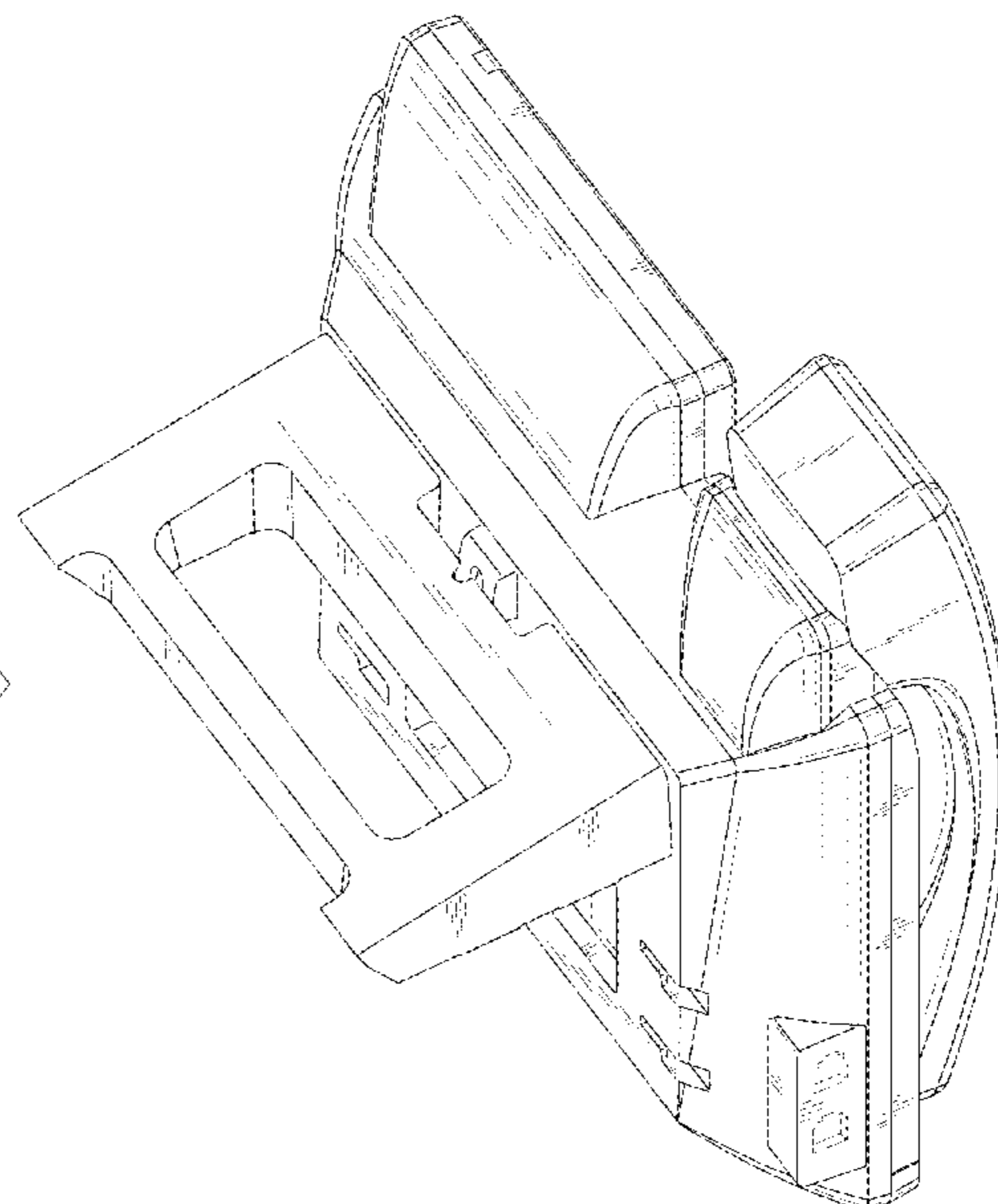
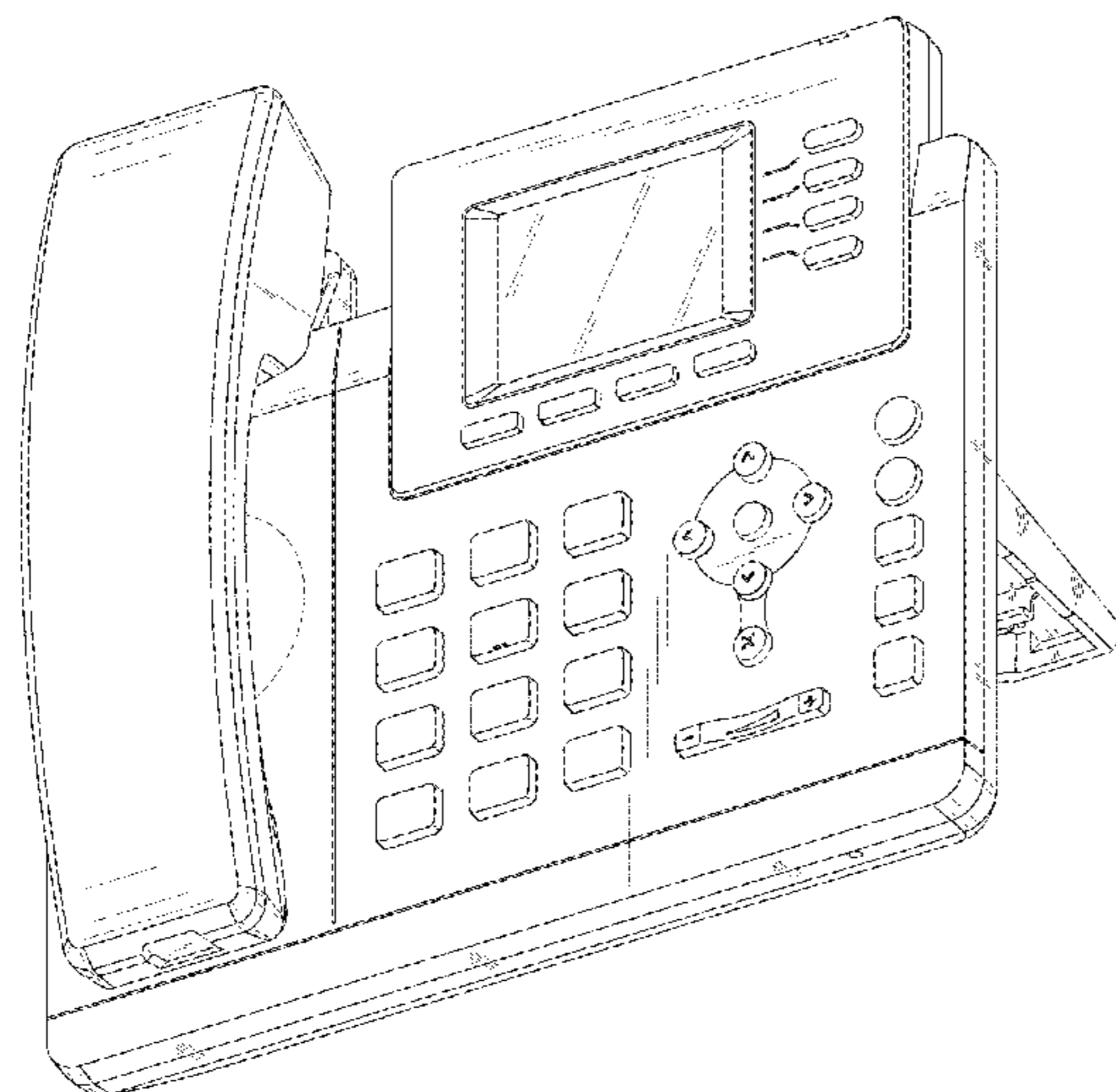
**OTHER PUBLICATIONS**  
Yealink SIP-T40G POE IP Phone Desk IP Phone, first available Dec. 13, 2017, amazon.in, [online], [site visited Jul. 26, 2021], Available from internet URL: [https://www.amazon.in/Yealink-SIP-T40G-Phone-DESK-PHONE/dp/B071GRMF7Z/ref=sr\\_1\\_36?dchild=1&keywords=Yealink&qid=1627311763&sr=8-36](https://www.amazon.in/Yealink-SIP-T40G-Phone-DESK-PHONE/dp/B071GRMF7Z/ref=sr_1_36?dchild=1&keywords=Yealink&qid=1627311763&sr=8-36) (Year: 2017).\*  
(Continued)

*Primary Examiner* — Samantha Q Lawrence  
*Assistant Examiner* — Holly M Rodriguez

(57) **CLAIM**  
The ornamental design for a communication equipment, as shown and described.

**DESCRIPTION**  
FIG. 1 is a front elevational view of a communication equipment showing my new design; FIG. 2 is a rear elevational view thereof; FIG. 3 is a left side view thereof; FIG. 4 is a right side view thereof; FIG. 5 is a top plan view thereof; FIG. 6 is a bottom plan view thereof; FIG. 7 is a bottom, front and right side perspective view thereof; FIG. 8 is a top, rear and left side perspective view thereof; and, FIG. 9 is a bottom, rear and right side perspective view thereof.  
The broken lines in the drawings illustrate portions of the communication equipment which form no part of the claimed design.

**1 Claim, 9 Drawing Sheets**



(58) **Field of Classification Search**

USPC ..... D13/168; D11/3-5, 12, 19, 25;  
D30/151-152  
CPC ..... H04M 1/00; H04M 1/026; H04M 1/04;  
H04M 1/6033; H04M 1/6041; H04M  
3/02; H04M 3/005; H04M 3/56; H04M  
3/564; H04M 3/568; H04M 9/02; H04M  
9/022; H04M 9/08; H04M 1/003; H04M  
1/02; H04M 1/03; H04M 1/0202; H04M  
1/0295; H04M 1/0297; H04M 1/20;  
H04M 1/21; H04M 1/22; H04M 1/23;  
H04M 1/233; H04M 1/236; H04M  
1/0289; H04M 1/0214; H04M 1/253;  
H04M 1/2535; H04M 7/006; H04R 1/00;  
H04R 1/02; H04R 1/403; H04R 1/406;  
H04N 7/14; H04N 7/142; H04N 7/147;  
A63H 33/30; A63H 33/3016

See application file for complete search history.

(56)

**References Cited**

U.S. PATENT DOCUMENTS

D664,519	S	*	7/2012	Akatsu	.....	D14/142
D782,994	S	*	4/2017	Schwarz	.....	D14/151
D835,060	S	*	12/2018	Peng	.....	D14/151
D848,391	S	*	5/2019	Li	.....	D14/151
D891,388	S	*	7/2020	Zhang	.....	D14/151
D891,389	S	*	7/2020	Zhang	.....	D14/151
D906,997	S	*	1/2021	Tani	.....	D14/151
D911,301	S	*	2/2021	Taniguchi	.....	D14/151

OTHER PUBLICATIONS

Yealink SIP-T33G, yealink.com, [online], [site visited Jul. 28, 2021], Available from internet URL: <https://www.yealink.com/product/voice-communication-t33g> (Year: 2021).\*

\* cited by examiner

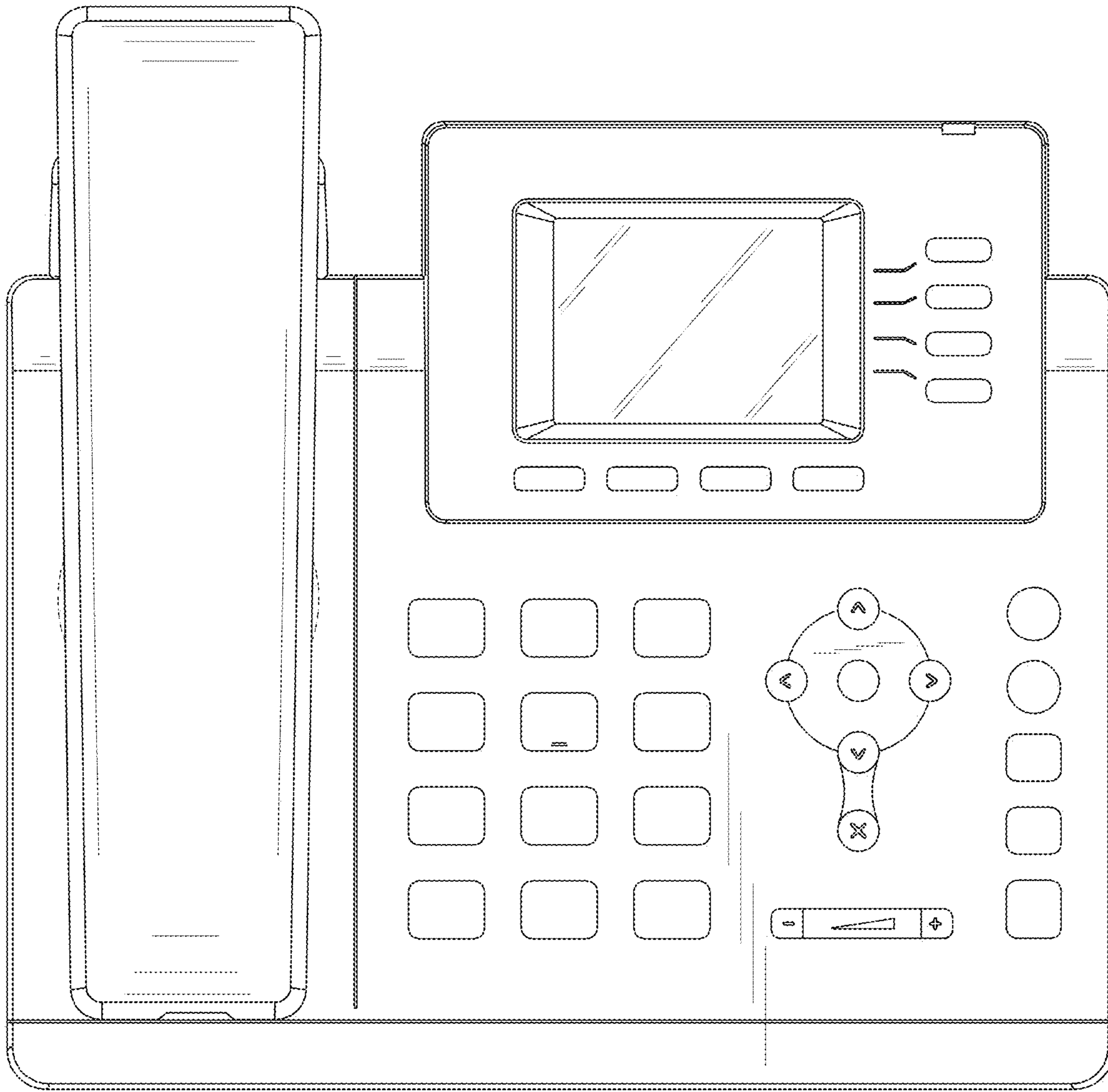


FIG. 1

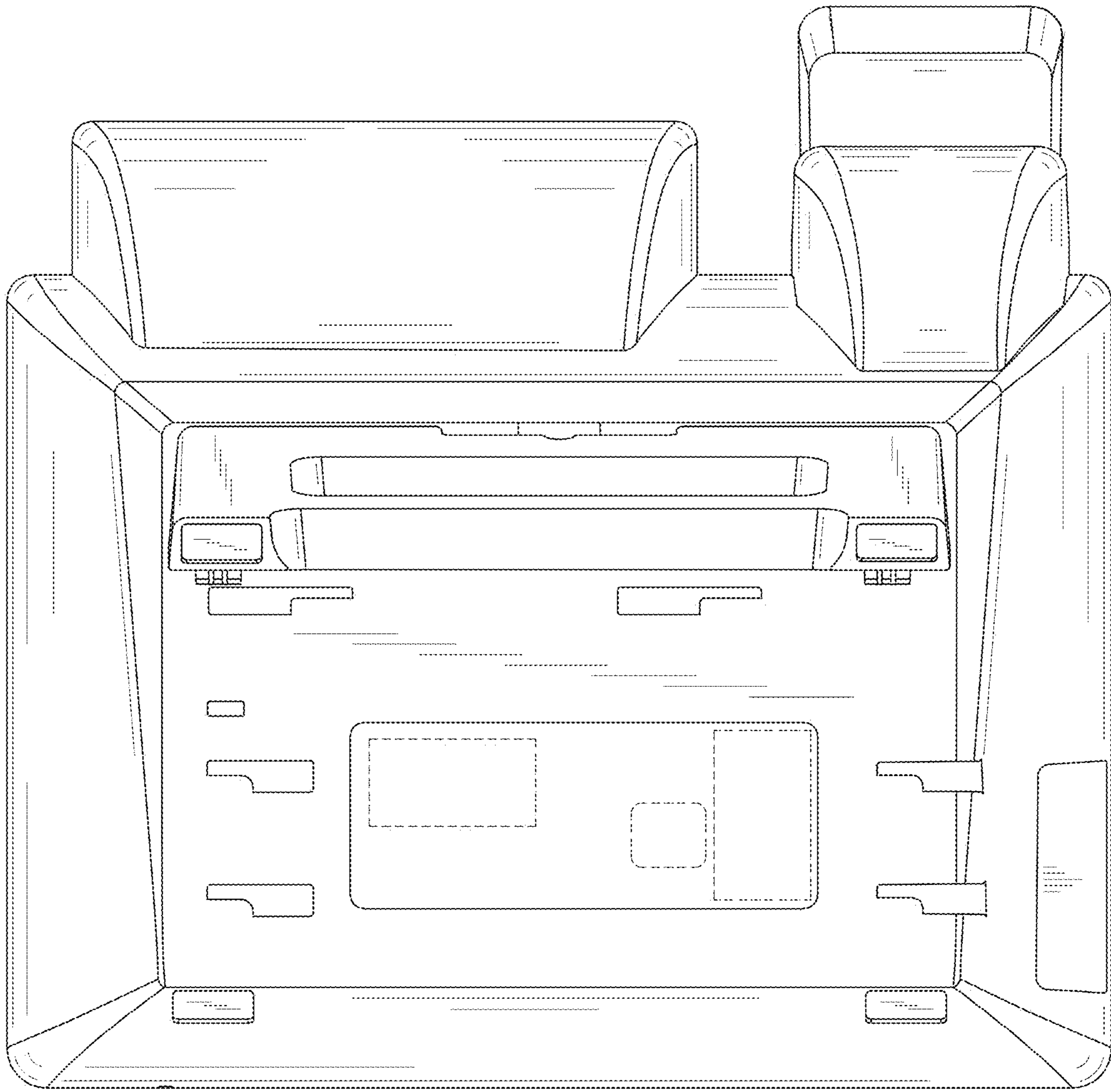


FIG.2



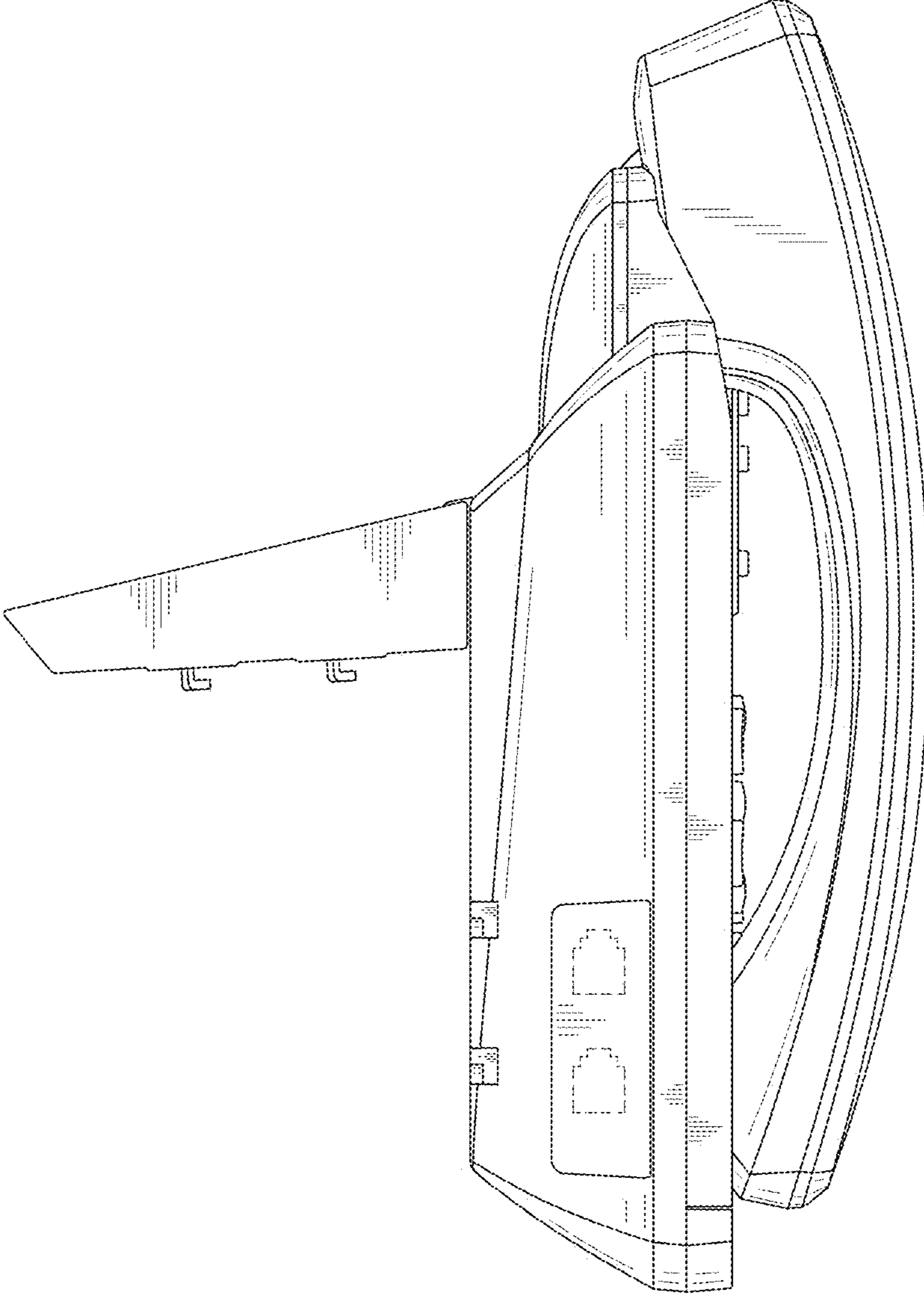


FIG.3

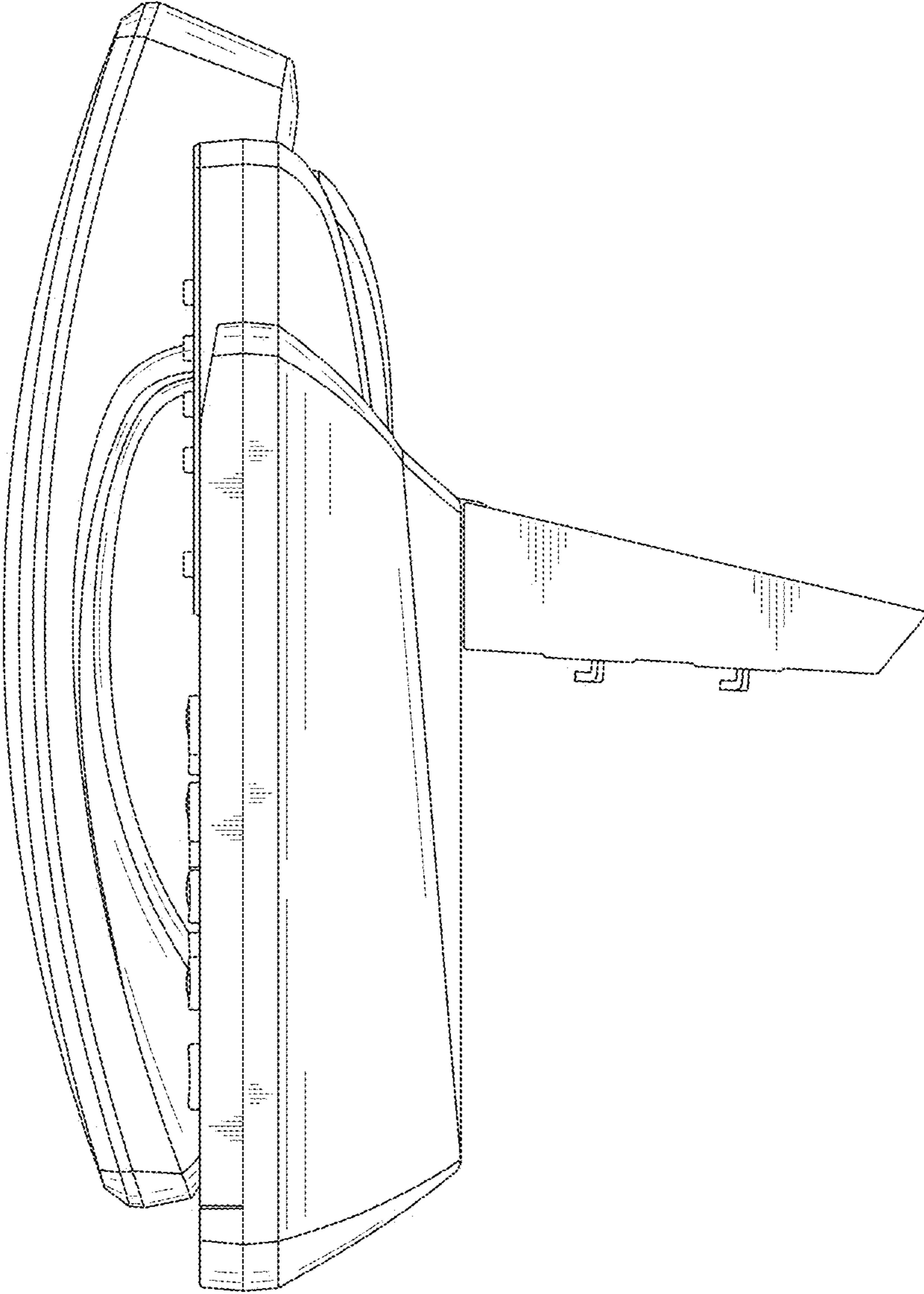


FIG.4

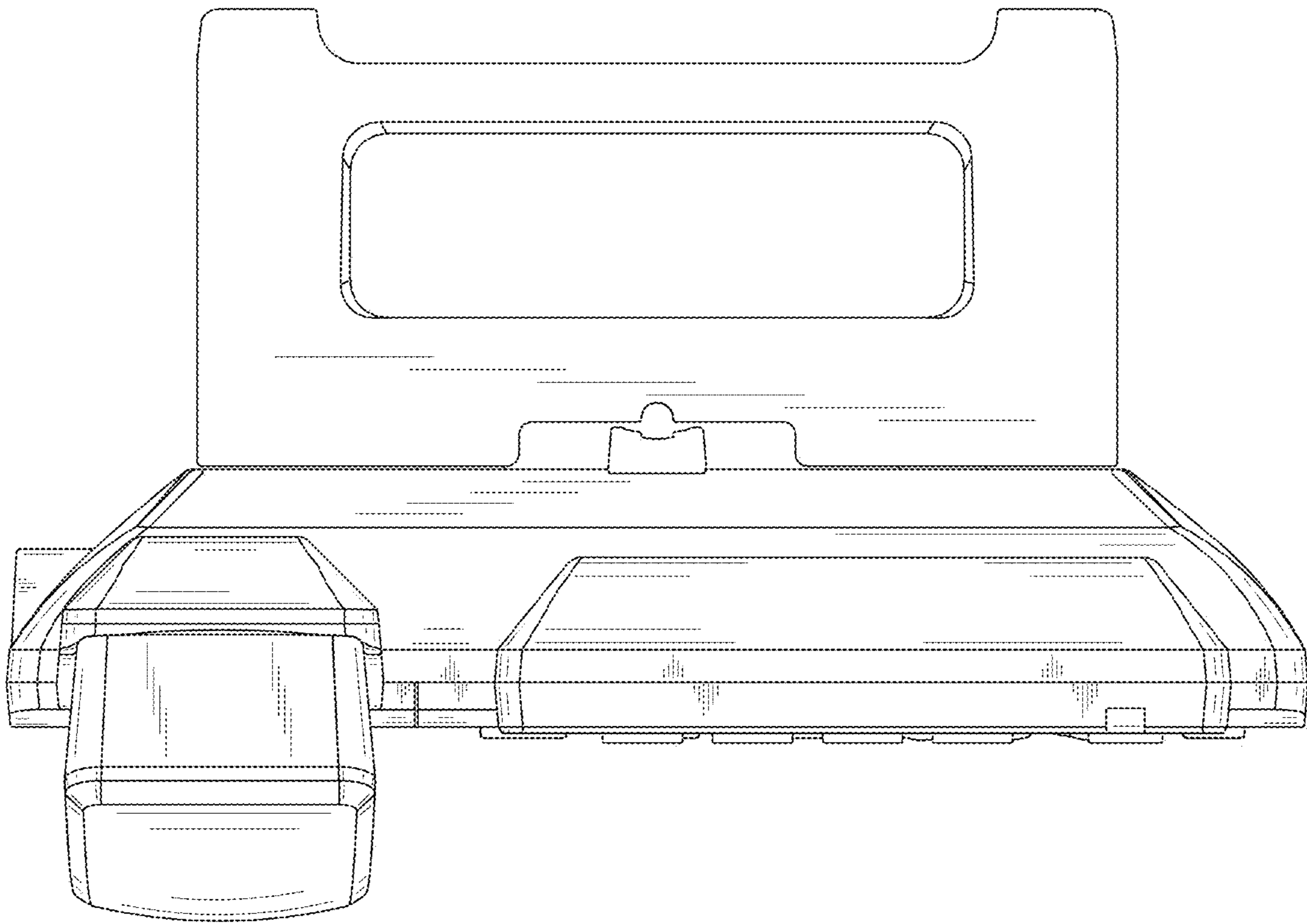


FIG.5

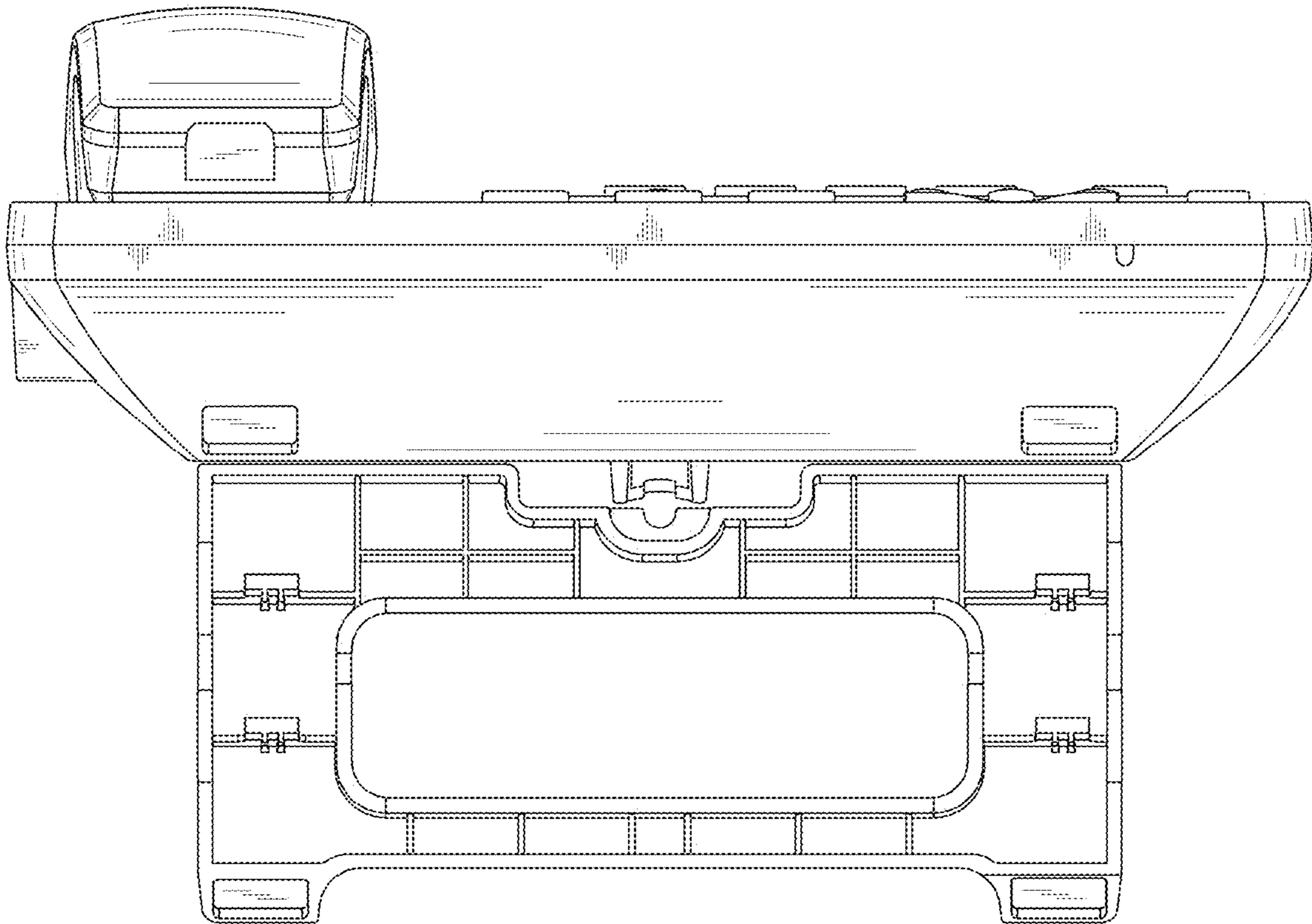


FIG.6



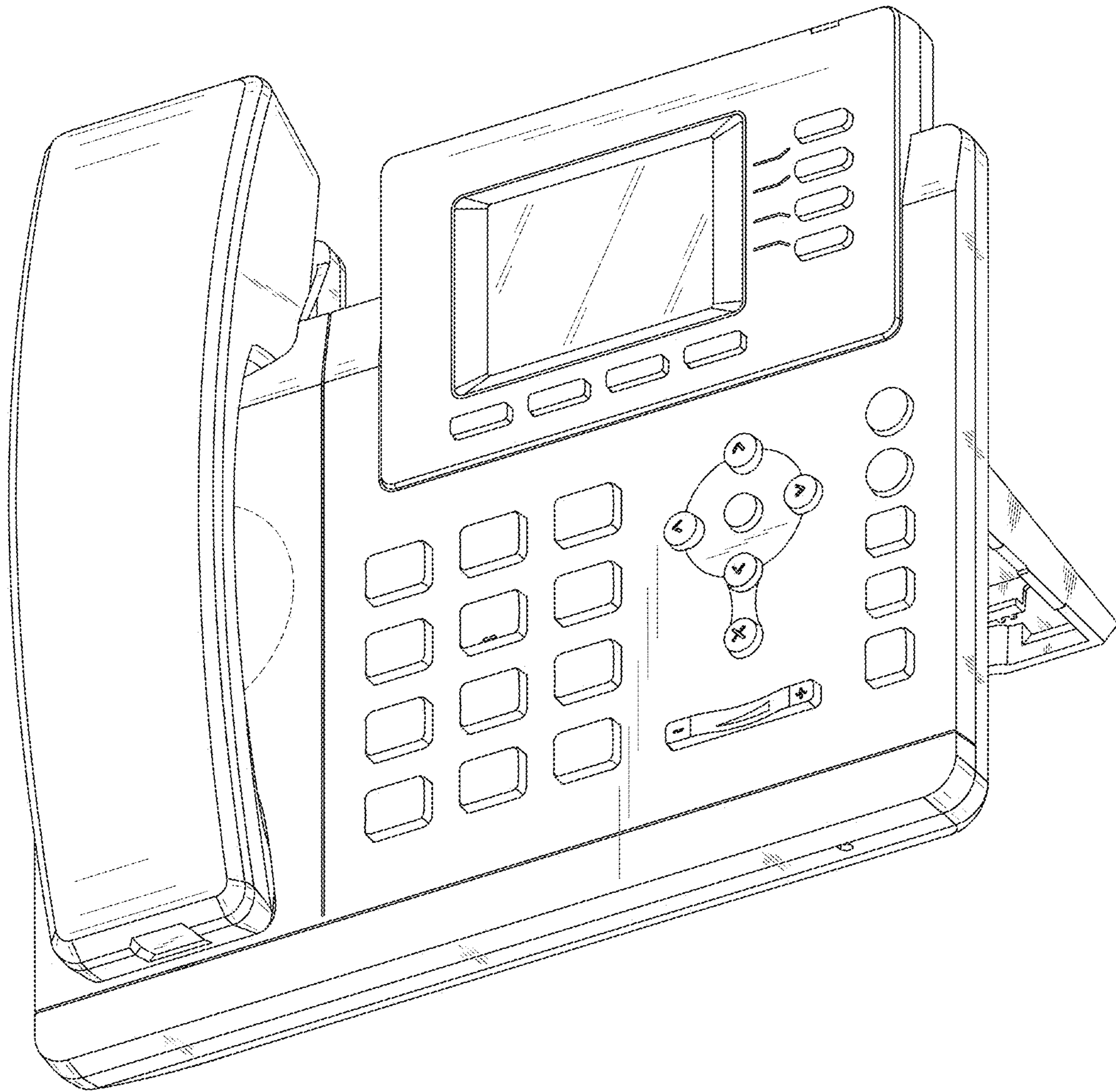


FIG. 7

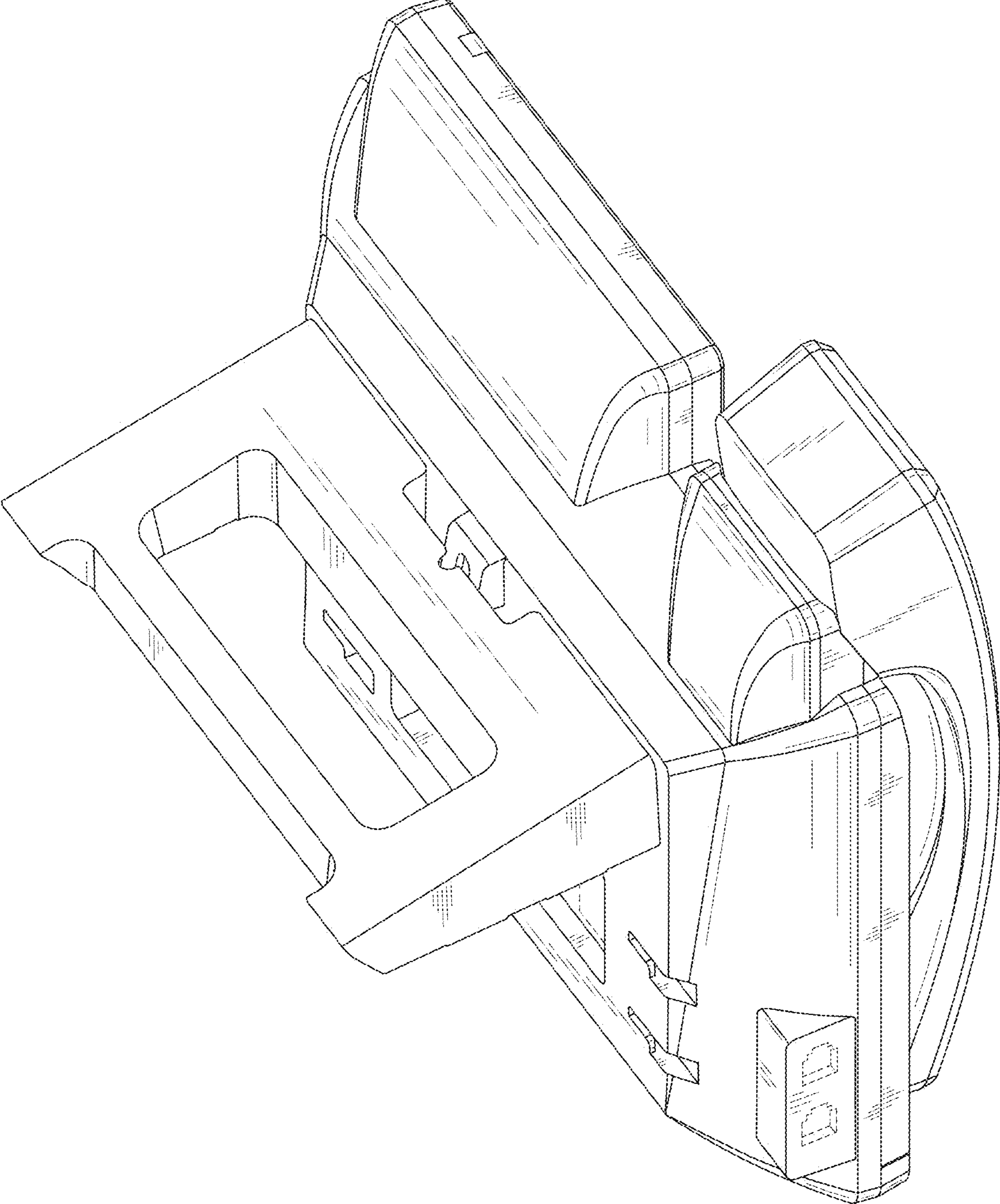


FIG.8

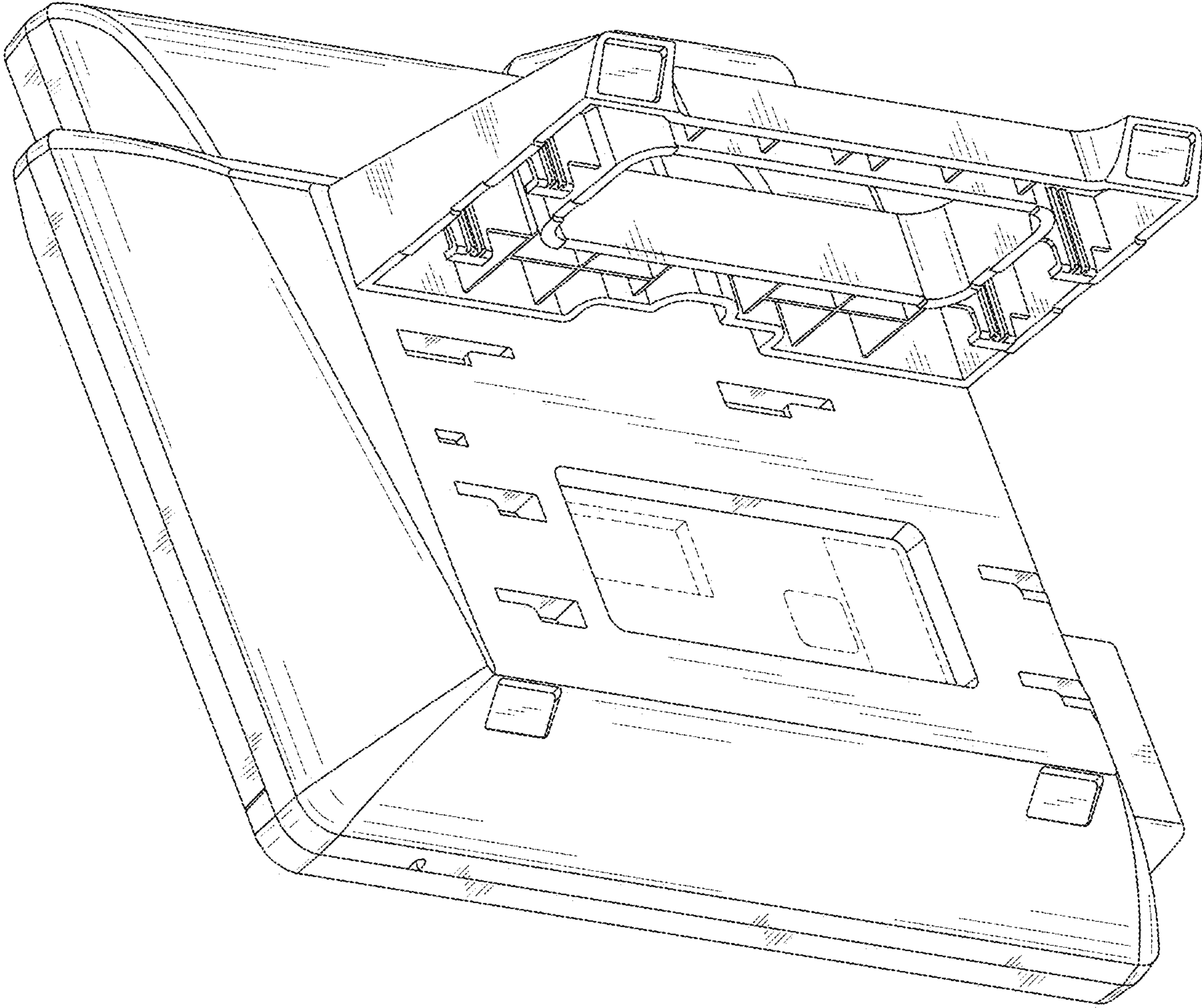


FIG.9