



US00D934834S

(12) **United States Design Patent** (10) **Patent No.:** **US D934,834 S**
Su (45) **Date of Patent:** **** Nov. 2, 2021**

(54) **COMMUNICATION EQUIPMENT**

(71) Applicant: **YEALINK (XIAMEN) NETWORK TECHNOLOGY CO., LTD.**, Fujian (CN)

(72) Inventor: **Jingfeng Su**, Fujian (CN)

(73) Assignee: **YEALINK (XIAMEN) NETWORK TECHNOLOGY CO., LTD.**, Xiamen (CN)

(**) Term: **15 Years**

(21) Appl. No.: **29/732,776**

(22) Filed: **Apr. 27, 2020**

(30) **Foreign Application Priority Data**

Mar. 27, 2020 (CN) 202030111852.4

(51) **LOC (13) Cl.** **14-03**

(52) **U.S. Cl.**
USPC **D14/151**

(58) **Field of Classification Search**

USPC D14/432-343, 357, 344, 140, 496, 401, D14/435, 474, 483, 209.1, 137, 138, D14/158-160, 168, 356, 203.1-203.8, D14/507, 155, 160-172, 212-218, 257, D14/258, 341, 346, 299, 266, 358, D14/454-445, 192, 221, 127-130, 211, D14/240, 243, 247-249, 251, 329, 455, D14/206, 204, 188, 147-151, 144, 142, D14/141.1, 138 R, 138 AA, 138 AB, D14/138 G, 138 AD; D3/215, 218, 904; D21/517, 333, 331, 566; D24/165, 185,

D24/186; D18/1, 7; D10/104, 104.1, D10/106, 65, 78, 104.2, 70, 31-32, D10/38-38, 106.1, 106.3, 106.5; (Continued)

(56) **References Cited**

U.S. PATENT DOCUMENTS

D555,143 S * 11/2007 Chou D14/151
D557,249 S * 12/2007 Weidinger D14/151
(Continued)

OTHER PUBLICATIONS

Yealink SIP T31, Non-PoE Dual Line Entry Level IP Phone, first available Jan. 4, 2021, amazon.in, [online], [site visited Jul. 26, 2021], Available from internet URL: https://www.amazon.in/Yealink-Non-Entry-Level-Phone/dp/B08LZ4FMVB/ref=psdc_1389492031_t3_B00A35WSEI (Year: 2021).*

(Continued)

Primary Examiner — Samantha Q Lawrence
Assistant Examiner — Holly M Rodriguez

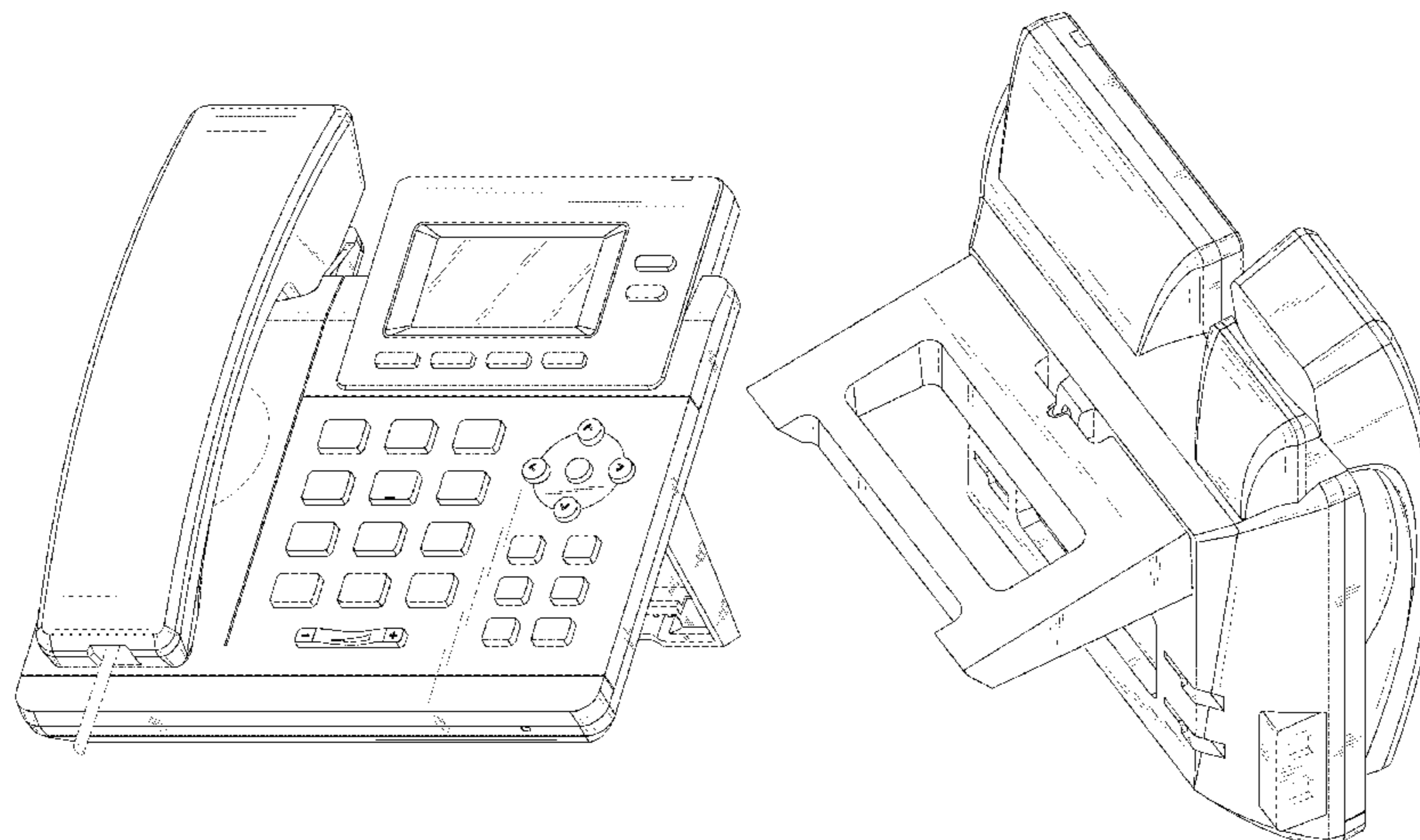
(57) **CLAIM**

The ornamental design for a communication equipment, as shown and described.

DESCRIPTION

FIG. 1 is a front elevational view of a communication equipment showing my new design; FIG. 2 is a rear elevational view thereof; FIG. 3 is a left side view thereof; FIG. 4 is a right side view thereof; FIG. 5 is a top plan view thereof; FIG. 6 is a bottom plan view thereof; FIG. 7 is a bottom, front and right side perspective view thereof; FIG. 8 is a top, rear and left side perspective view thereof; and, FIG. 9 is a bottom, rear and right side perspective view thereof.

(Continued)



The broken lines in the drawings illustrate portions of the communication equipment which form no part of the claimed design.

H04N 7/14; H04N 7/142; H04N 7/147;
A63H 33/30; A63H 33/3016

See application file for complete search history.

1 Claim, 9 Drawing Sheets

(56)

References Cited

U.S. PATENT DOCUMENTS

(58) **Field of Classification Search**

USPC D13/168; D11/3-5, 12, 19, 25;
D30/151-152
CPC H04M 1/00; H04M 1/026; H04M 1/04;
H04M 1/6033; H04M 1/6041; H04M
3/02; H04M 3/005; H04M 3/56; H04M
3/564; H04M 3/568; H04M 9/02; H04M
9/022; H04M 9/08; H04M 1/003; H04M
1/02; H04M 1/03; H04M 1/0202; H04M
1/0295; H04M 1/0297; H04M 1/20;
H04M 1/21; H04M 1/22; H04M 1/23;
H04M 1/233; H04M 1/236; H04M
1/0289; H04M 1/0214; H04M 1/253;
H04M 1/2535; H04M 7/006; H04R 1/00;
H04R 1/02; H04R 1/403; H04R 1/406;

D843,965	S	*	3/2019	Su	D14/151
D864,143	S	*	10/2019	Katori	D14/151
D891,388	S	*	7/2020	Zhang	D14/151
D891,389	S	*	7/2020	Zhang	D14/151
D906,997	S	*	1/2021	Tani	D14/151
D911,301	S	*	2/2021	Taniguchi	D14/151

OTHER PUBLICATIONS

10/100 Desktop IP phone, excludes PSU SIP-T31P, yealink.co.za, [online], [site visited Jul. 26, 2021], Available from internet URL: <https://www.yealink.co.za/products/voice/t3-series/10-100-desktop-ip-phone-excludes-psu/> (Year: 2021).*

* cited by examiner

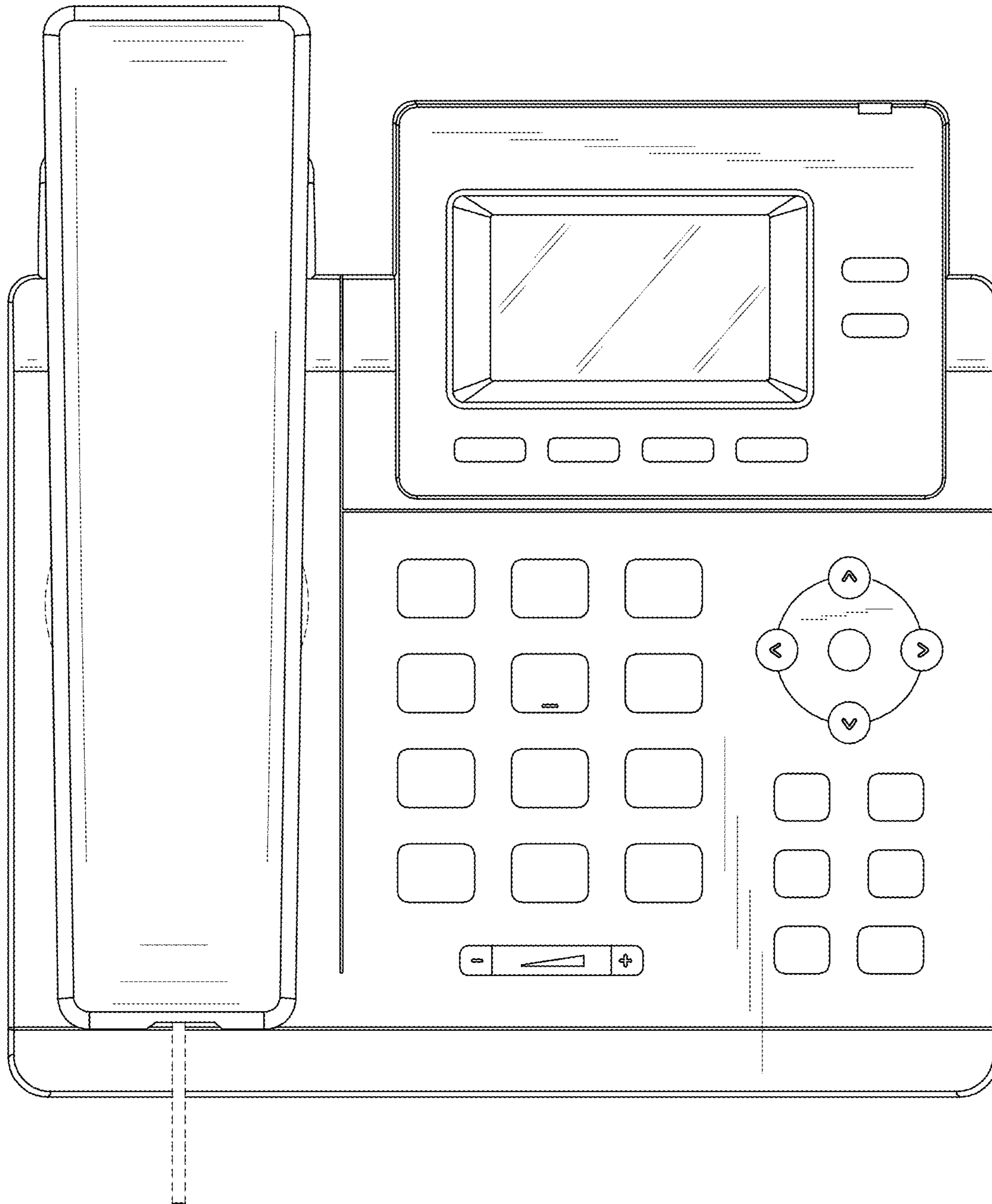


FIG.1

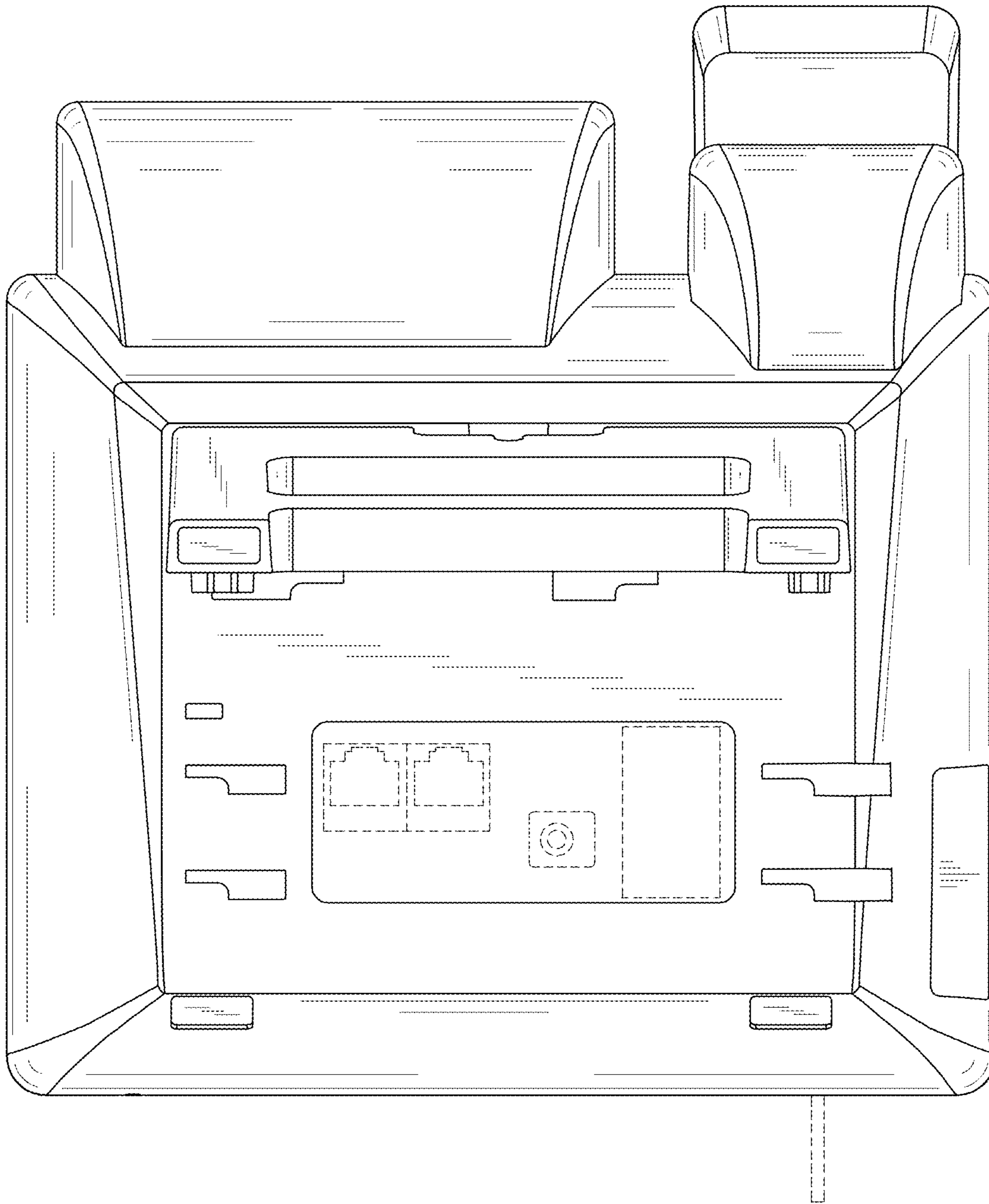


FIG.2

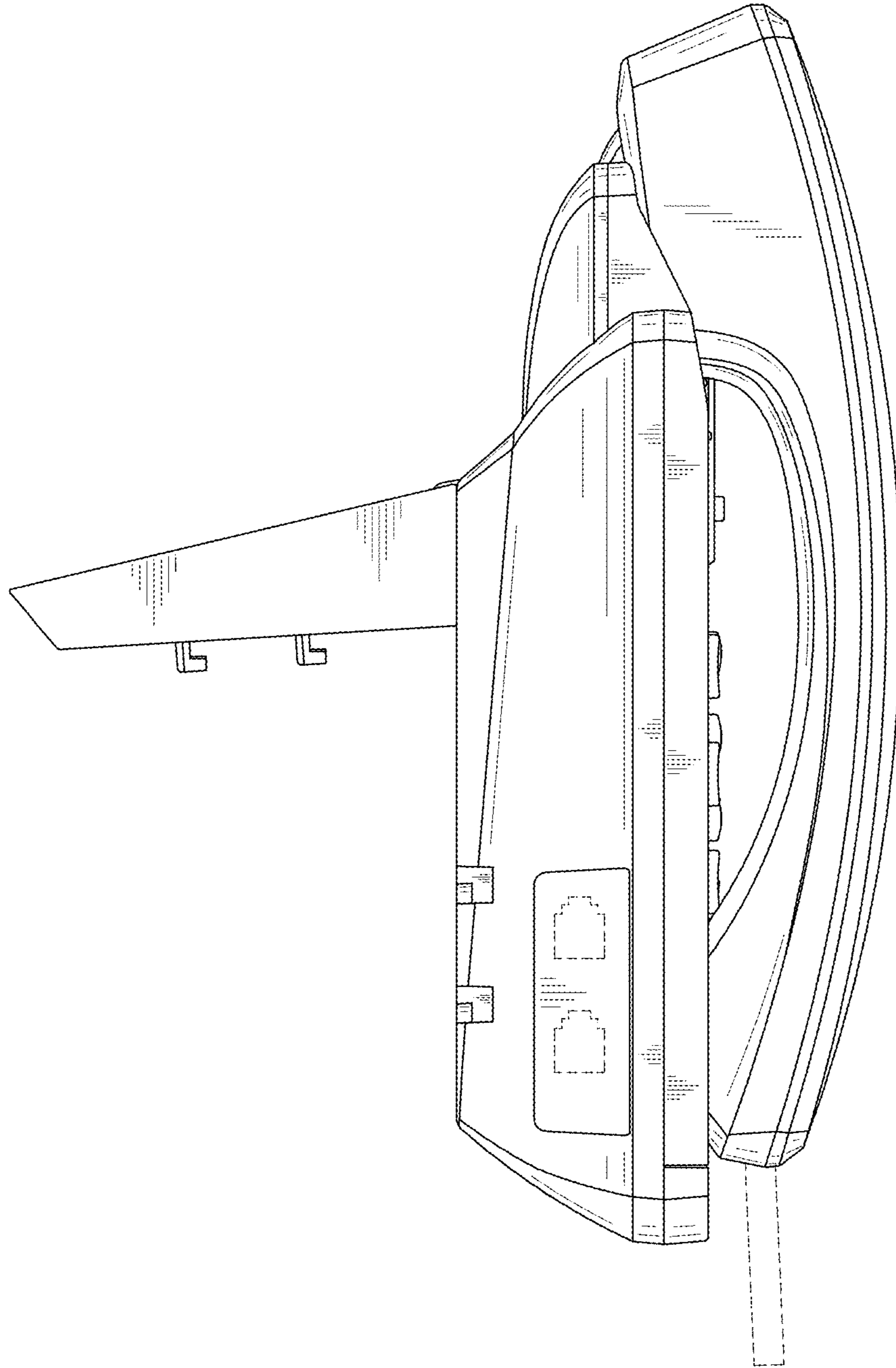


FIG.3

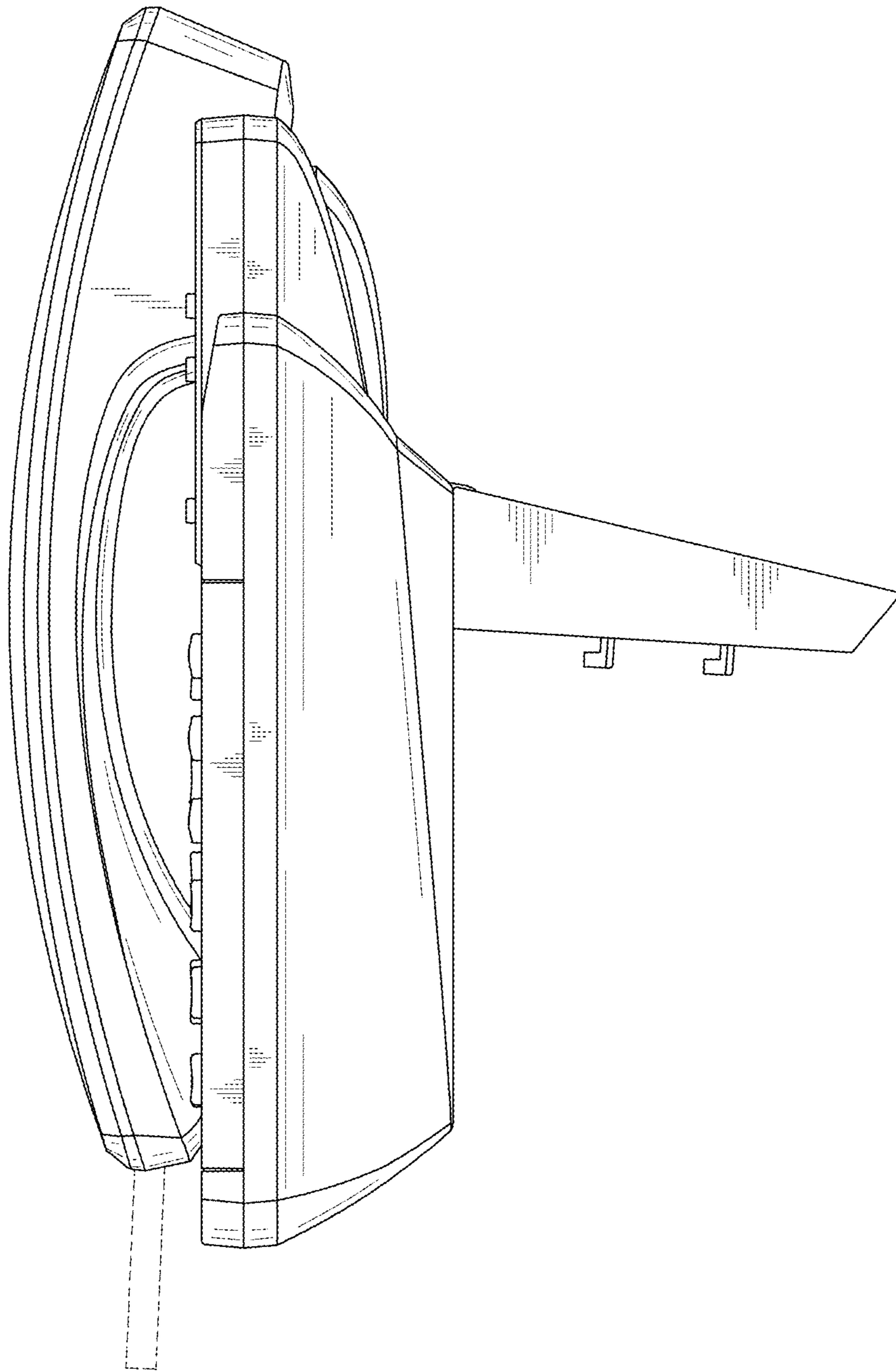


FIG.4

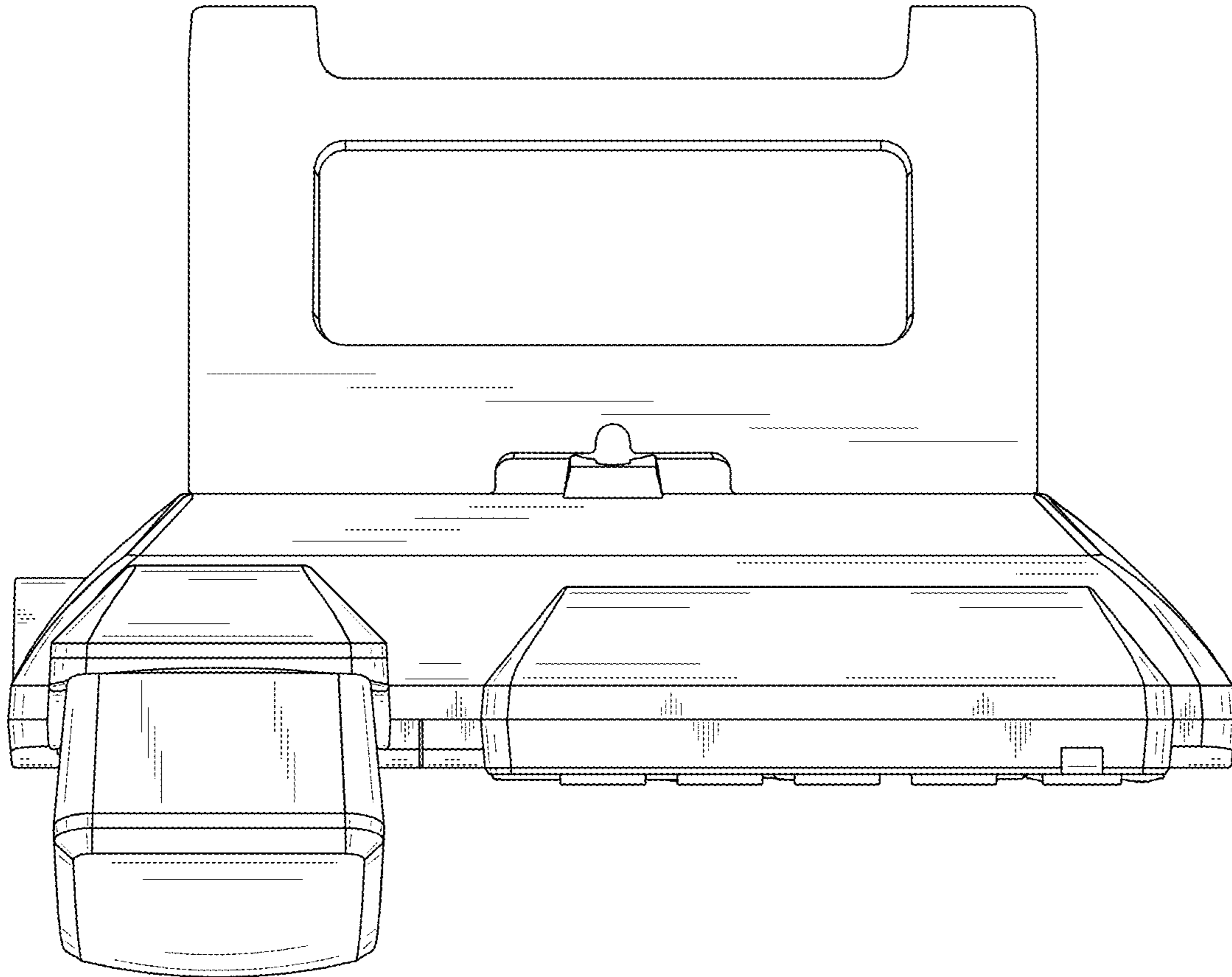


FIG.5

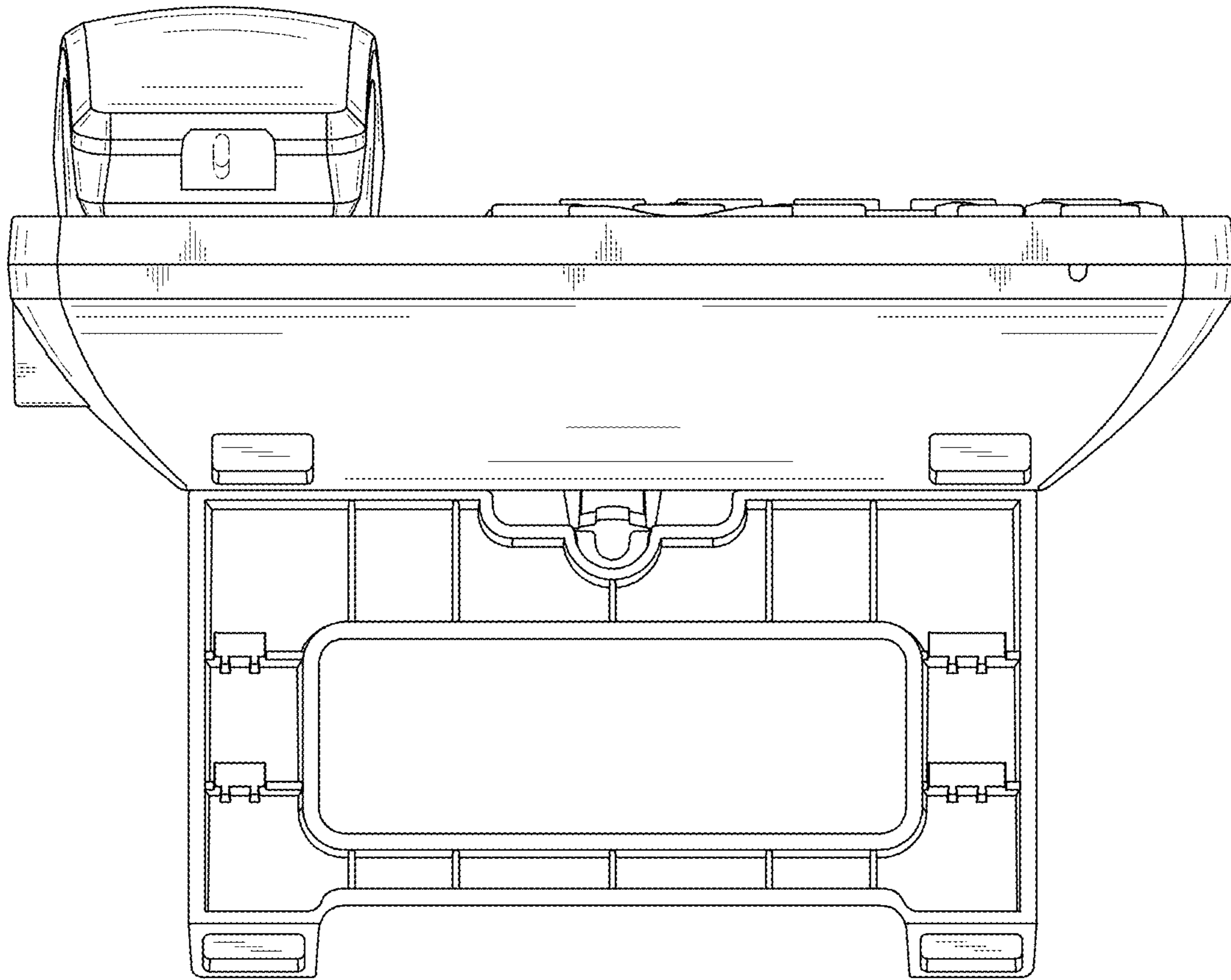


FIG.6

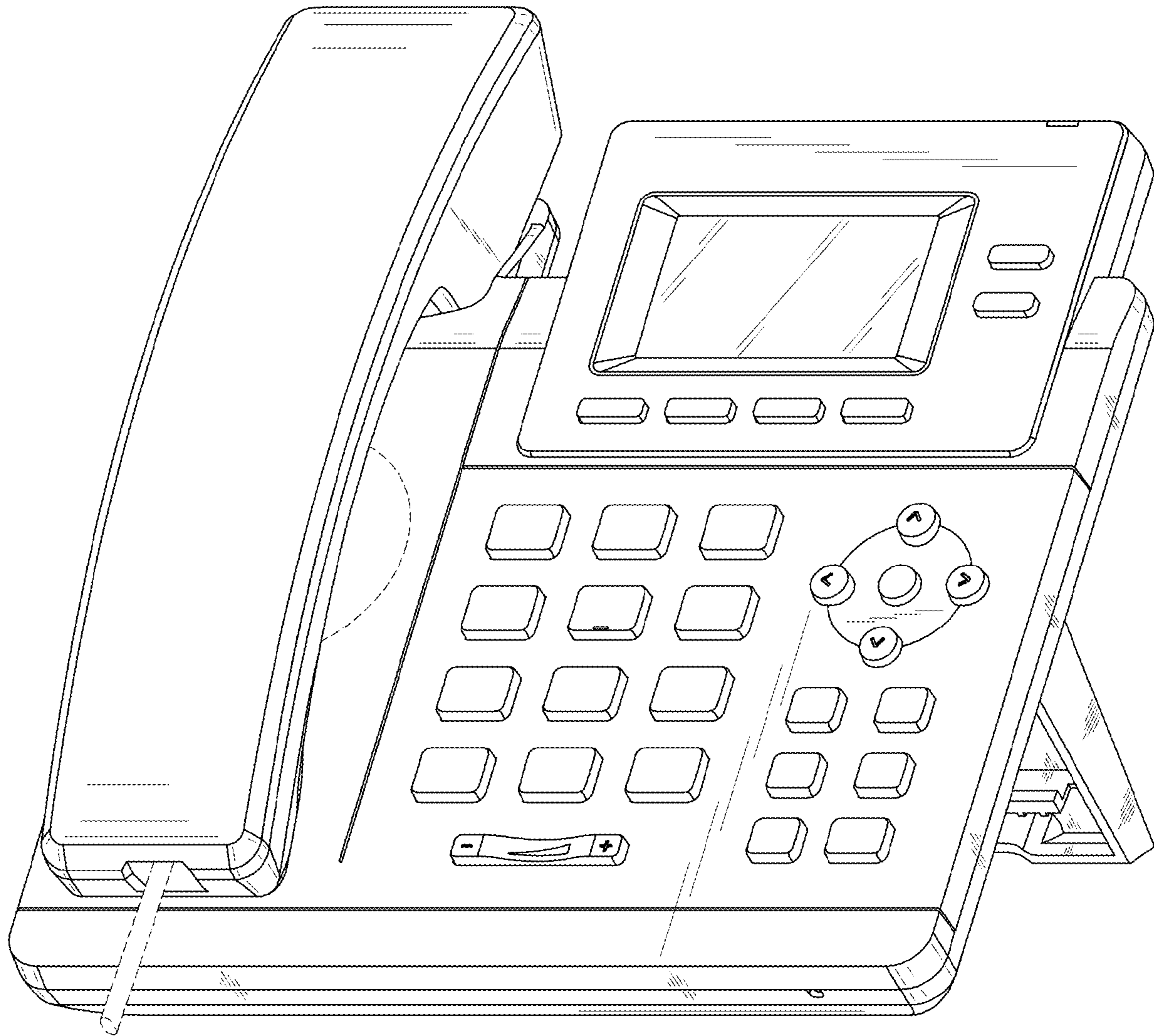


FIG.7

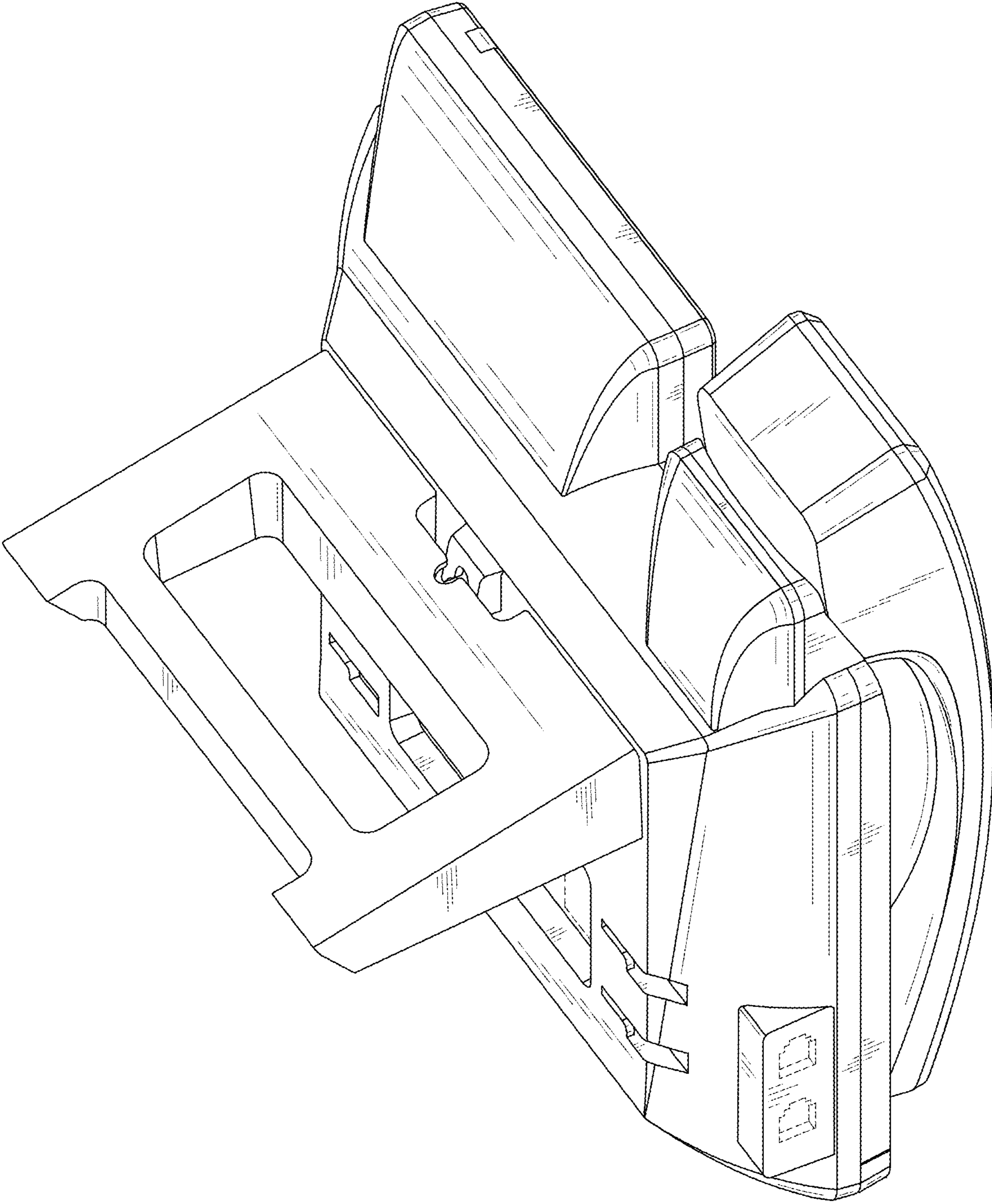


FIG.8

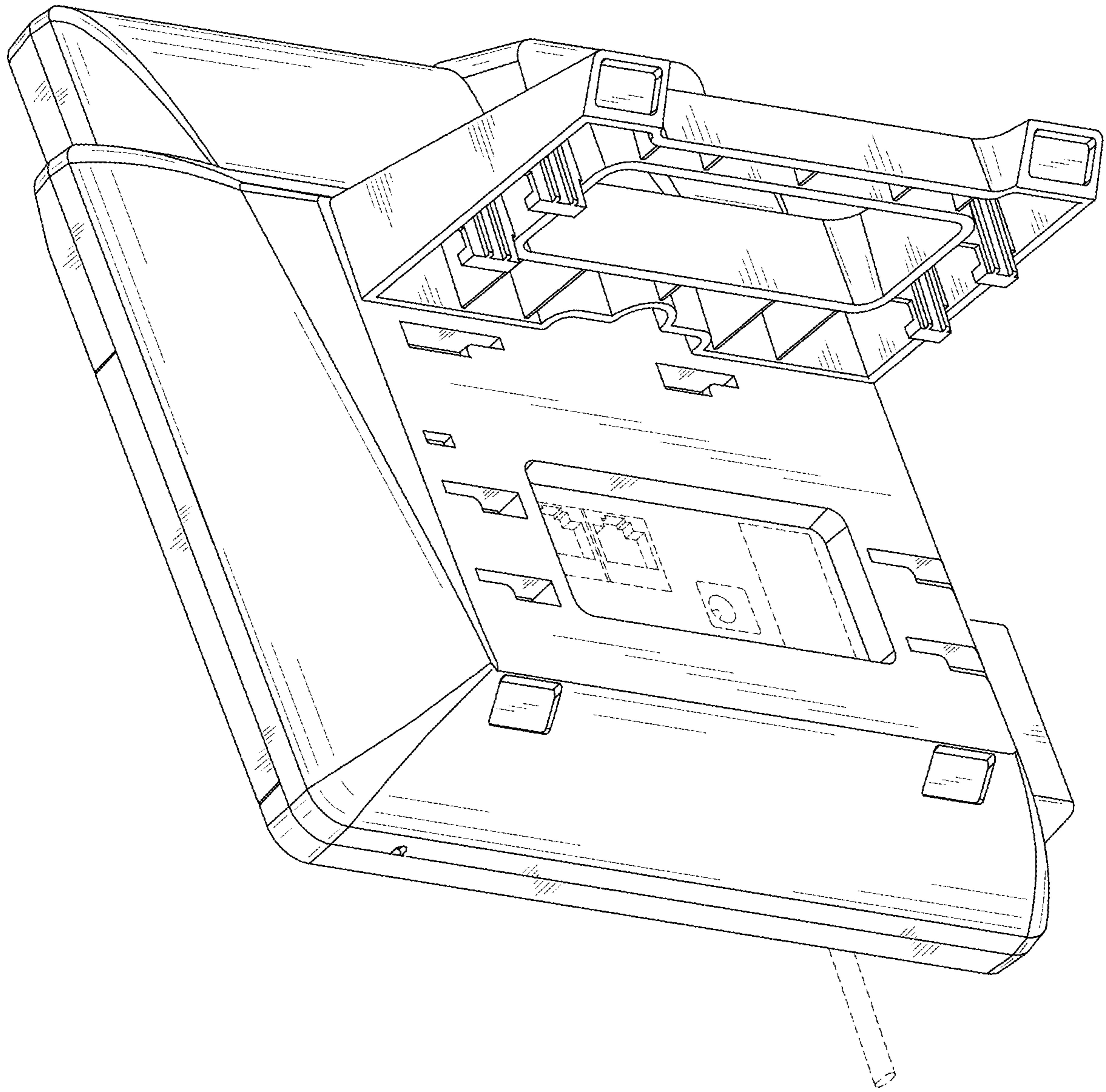


FIG.9