



US00D934833S

(12) **United States Design Patent** (10) **Patent No.:** **US D934,833 S**  
Su (45) **Date of Patent:** **\*\* Nov. 2, 2021**

(54) **COMMUNICATION EQUIPMENT**

D24/186; D18/1, 7; D10/104, 104.1,  
D10/106, 65, 78, 104.2, 70, 31-32,  
D10/38-38, 106.1, 106.3, 106.5;  
(Continued)

(71) Applicant: **YEALINK (XIAMEN) NETWORK  
TECHNOLOGY CO., LTD.**, Fujian  
(CN)

(56) **References Cited**

(72) Inventor: **Jingfeng Su**, Fujian (CN)

U.S. PATENT DOCUMENTS

(73) Assignee: **YEALINK (XIAMEN) NETWORK  
TECHNOLOGY CO., LTD.**, Xiamen  
(CN)

D513,412 S \* 1/2006 Kodera ..... D14/151  
D835,599 S \* 12/2018 Peng ..... D14/151  
D843,965 S \* 3/2019 Su ..... D14/151  
(Continued)

(\*\*) Term: **15 Years**

OTHER PUBLICATIONS

(21) Appl. No.: **29/732,775**

SIP-T19P E2, yealink.com/, [online], [site visited Jul. 26, 2021],  
Available from internet URL: <https://www.yealink.com/product/voice-communication-t19pe2> (Year: 2021).\*  
(Continued)

(22) Filed: **Apr. 27, 2020**

*Primary Examiner* — Samantha Q Lawrence  
*Assistant Examiner* — Holly M Rodriguez

(30) **Foreign Application Priority Data**

Mar. 27, 2020 (CN) ..... 202030111852.4

(57) **CLAIM**

(51) **LOC (13) Cl.** ..... **14-03**

The ornamental design for a communication equipment, as shown and described.

(52) **U.S. Cl.**

USPC ..... **D14/151**

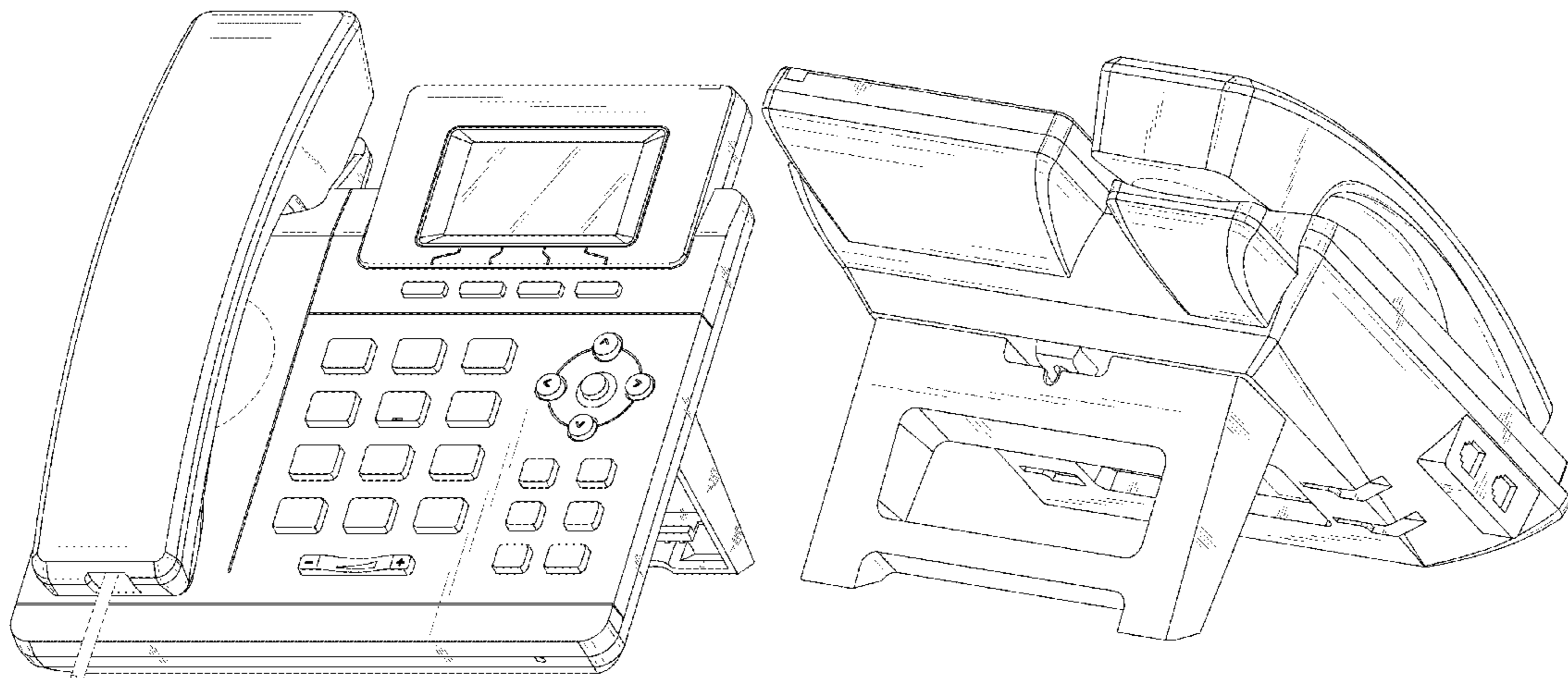
(58) **Field of Classification Search**

**DESCRIPTION**

USPC ..... D14/432-343, 357, 344, 144, 140, 496,  
D14/401, 435, 474, 483, 209.1, 137, 138,  
D14/158-160, 168, 356, 203.1-203.8,  
D14/507, 155, 160-172, 212-218, 257,  
D14/258, 341, 346, 299, 266, 358,  
D14/454-445, 192, 221, 127-130, 211,  
D14/240, 243, 247-249, 251, 329, 455,  
D14/206, 204, 188, 147-151, 142, 141.1,  
D14/138 R, 138 AA, 138 AB, 138 G,  
D14/138 AD; D3/215, 218, 904;  
D21/517, 333, 331, 566; D24/165, 185,

FIG. 1 is a front elevational view of a communication equipment showing my new design;  
FIG. 2 is a rear elevational view thereof;  
FIG. 3 is a left side view thereof;  
FIG. 4 is a right side view thereof;  
FIG. 5 is a top plan view thereof;  
FIG. 6 is a bottom plan view thereof;  
FIG. 7 is a bottom, front and right side perspective view thereof;  
FIG. 8 is a top, rear and left side perspective view thereof;  
and,  
FIG. 9 is a bottom, rear and right side perspective view thereof.

(Continued)



The broken lines in the drawings illustrate portions of the communication equipment which form no part of the claimed design.

**1 Claim, 9 Drawing Sheets**

(58) **Field of Classification Search**

USPC ..... D13/168; D11/3-5, 12, 19, 25;  
D30/151-152  
CPC ..... H04M 1/00; H04M 1/026; H04M 1/04;  
H04M 1/6033; H04M 1/6041; H04M  
3/02; H04M 3/005; H04M 3/56; H04M  
3/564; H04M 3/568; H04M 9/02; H04M  
9/022; H04M 9/08; H04M 1/003; H04M  
1/02; H04M 1/03; H04M 1/0202; H04M  
1/0295; H04M 1/0297; H04M 1/20;  
H04M 1/21; H04M 1/22; H04M 1/23;  
H04M 1/233; H04M 1/236; H04M  
1/0289; H04M 1/0214; H04M 1/253;  
H04M 1/2535; H04M 7/006; H04R 1/00;  
H04R 1/02; H04R 1/403; H04R 1/406;  
H04N 7/14; H04N 7/142; H04N 7/147;

A63H 33/30; A63H 33/3016

See application file for complete search history.

(56)

**References Cited**

U.S. PATENT DOCUMENTS

D865,701 S \* 11/2019 Tani ..... D14/151  
D911,301 S \* 2/2021 Taniguchi ..... D14/151  
D912,004 S \* 3/2021 Tani ..... D14/151

OTHER PUBLICATIONS

Yealink YEA-SIP-T19P-E2 Voice Conferencing Device, first available Feb. 19, 2021, newegg.com, [online], [site visited 027/26/2021], Available from internet URL: <https://www.newegg.com/yealink-yea-sip-t19p-e2-voice-conferencing-device/p/N82E16876761002> (Year: 2021).\*

Yealink Entry-level IP Phone with 1 Line, first available Jul. 6, 2016, amazon.in, [online], [site visited Jul. 26, 2021], Available from internet URL: [https://www.amazon.in/Yealink-SIP-T19P-E2-Entry-level-Phone/dp/B013GUGP7M/ref=sr\\_1\\_3?dchild=1&keywords=Yealink&qid=1627311601&sr=8-3](https://www.amazon.in/Yealink-SIP-T19P-E2-Entry-level-Phone/dp/B013GUGP7M/ref=sr_1_3?dchild=1&keywords=Yealink&qid=1627311601&sr=8-3) (Year: 2016).\*

\* cited by examiner

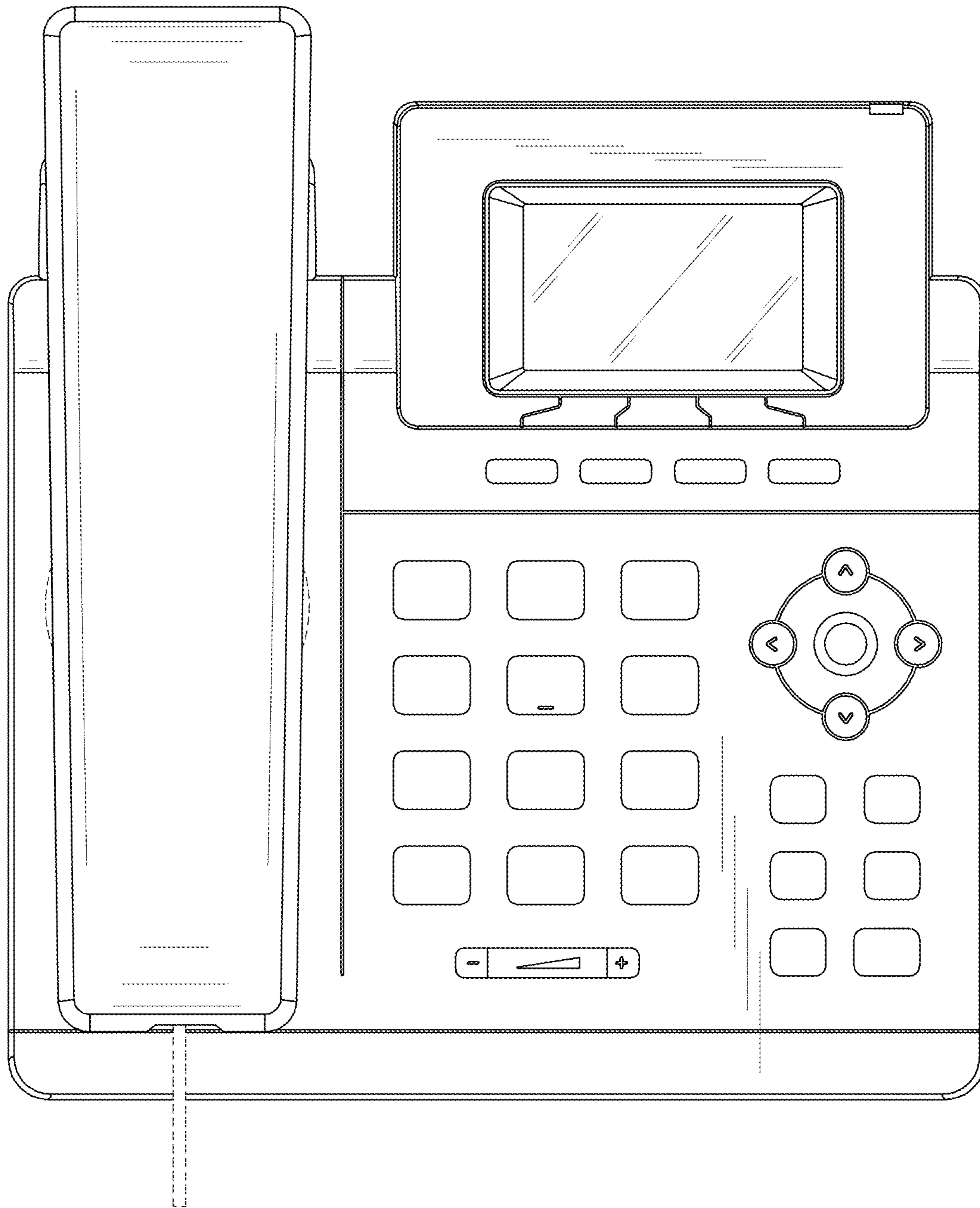


FIG.1

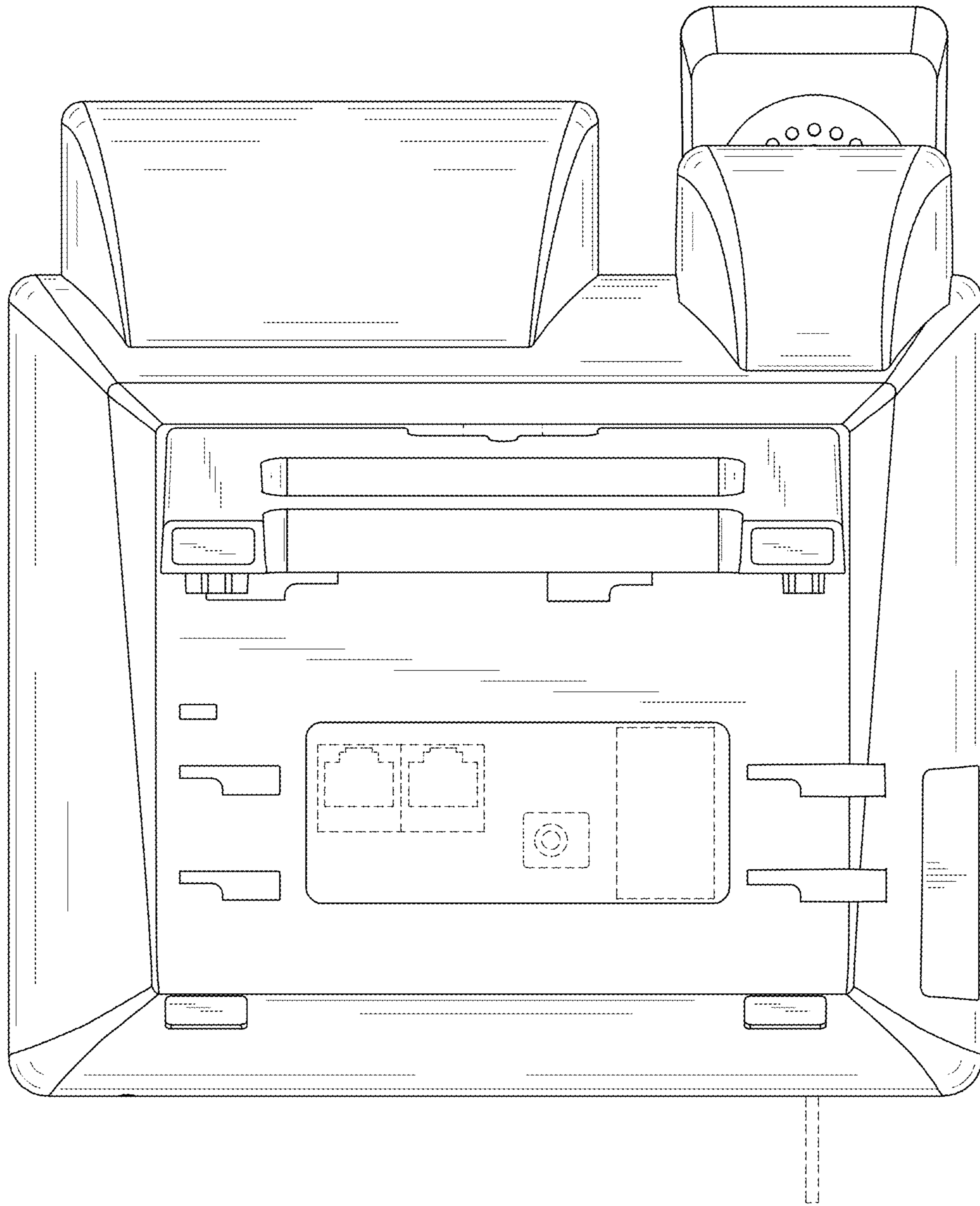


FIG.2

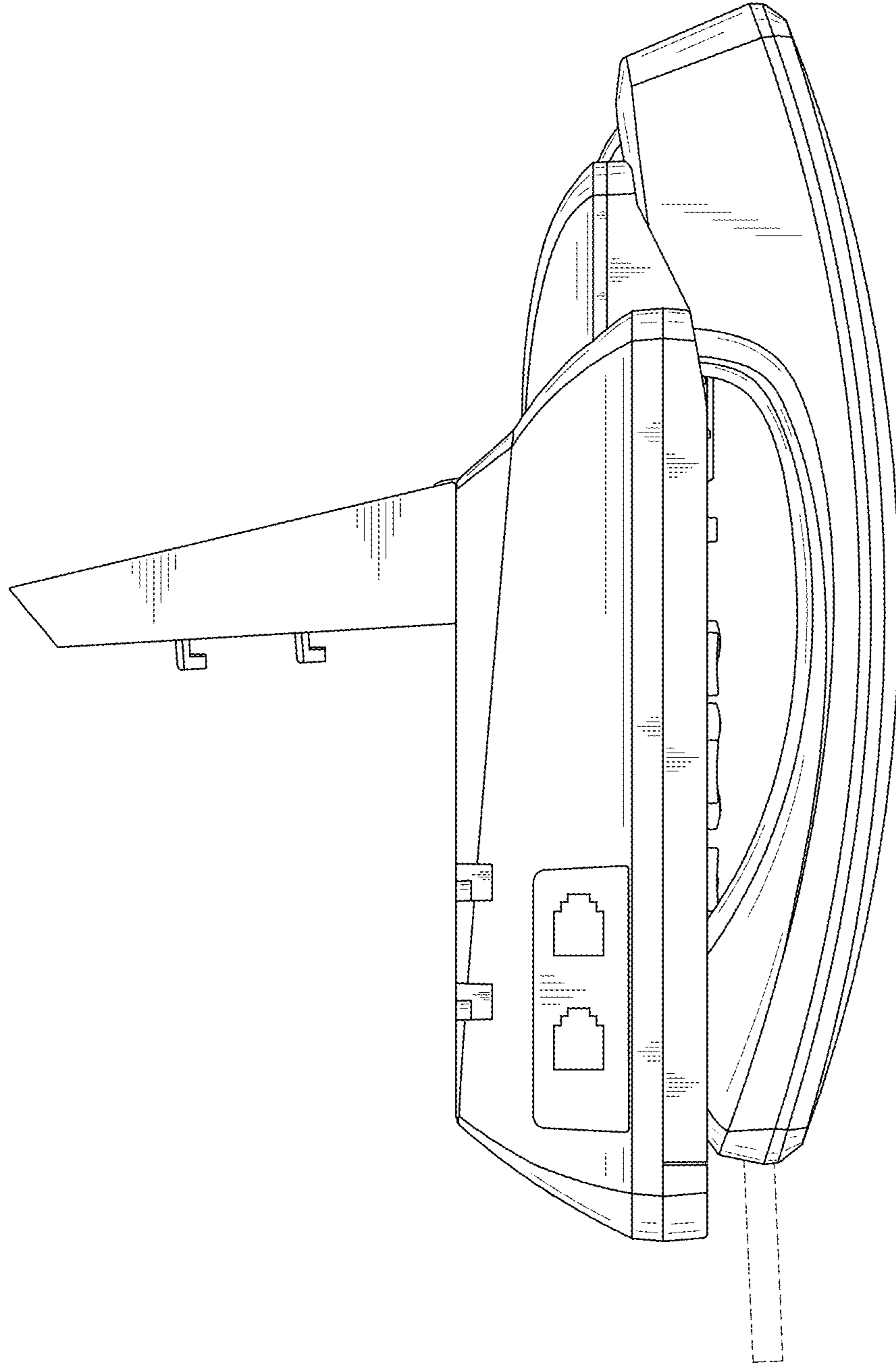


FIG.3

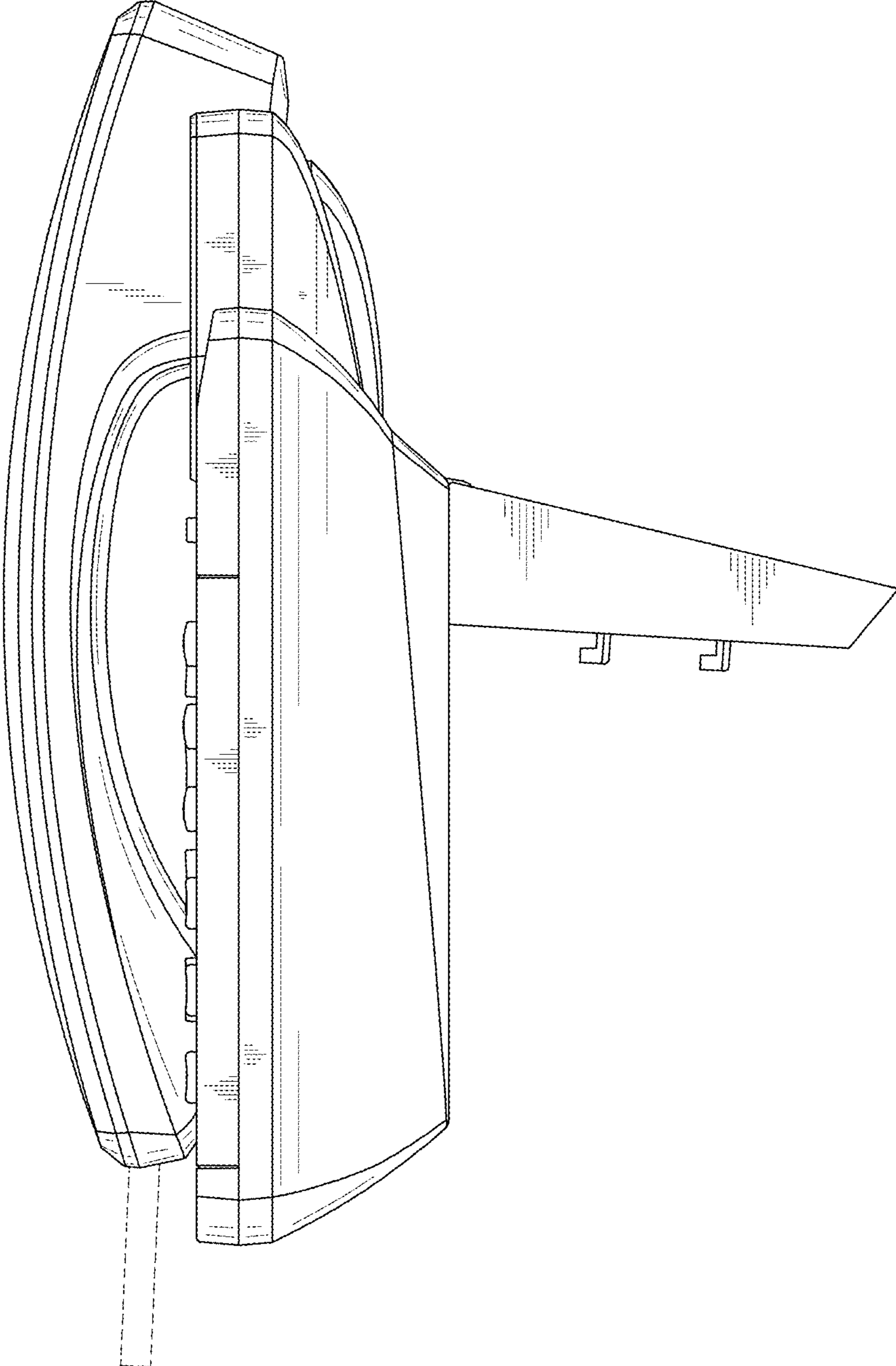


FIG.4

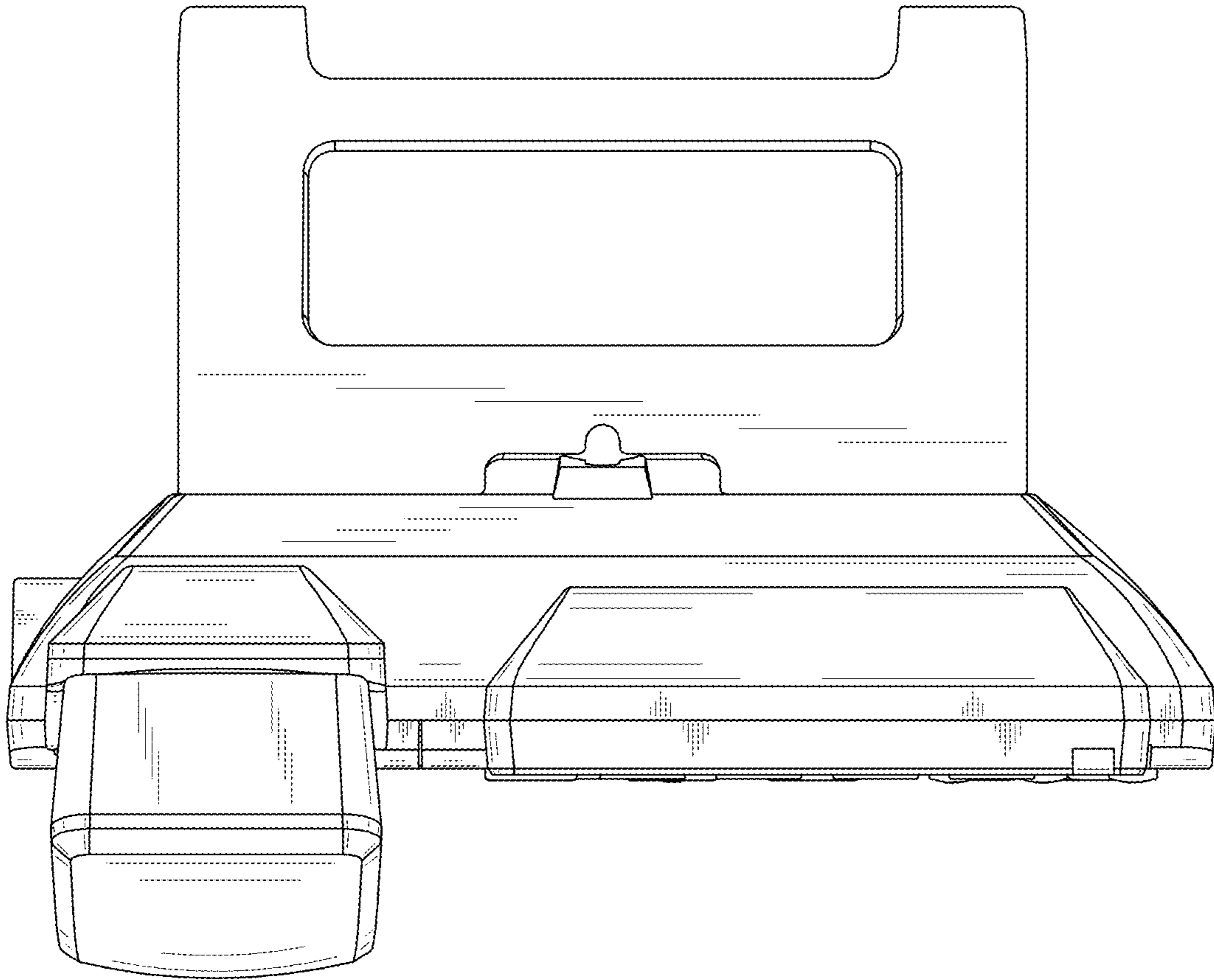


FIG.5

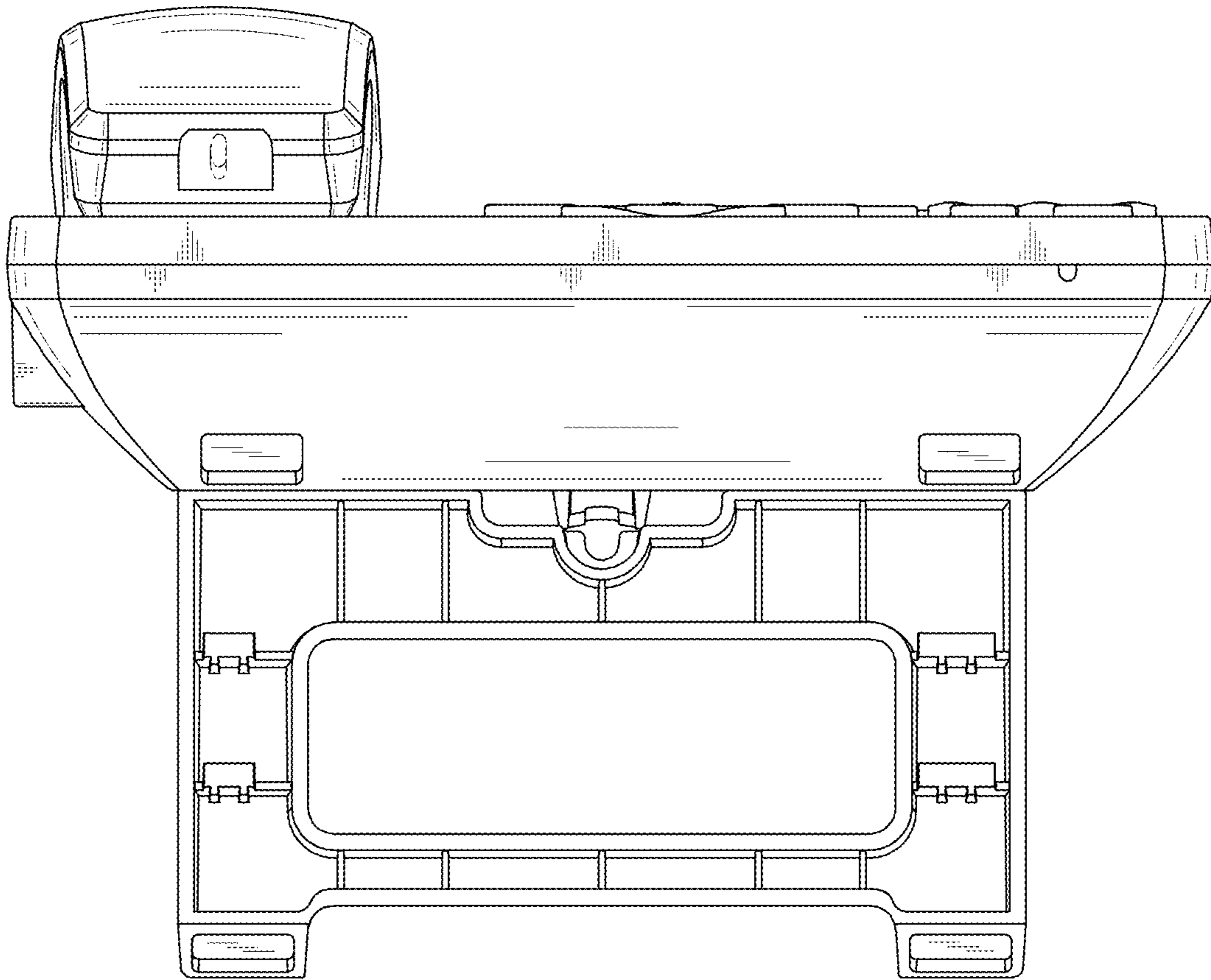


FIG.6



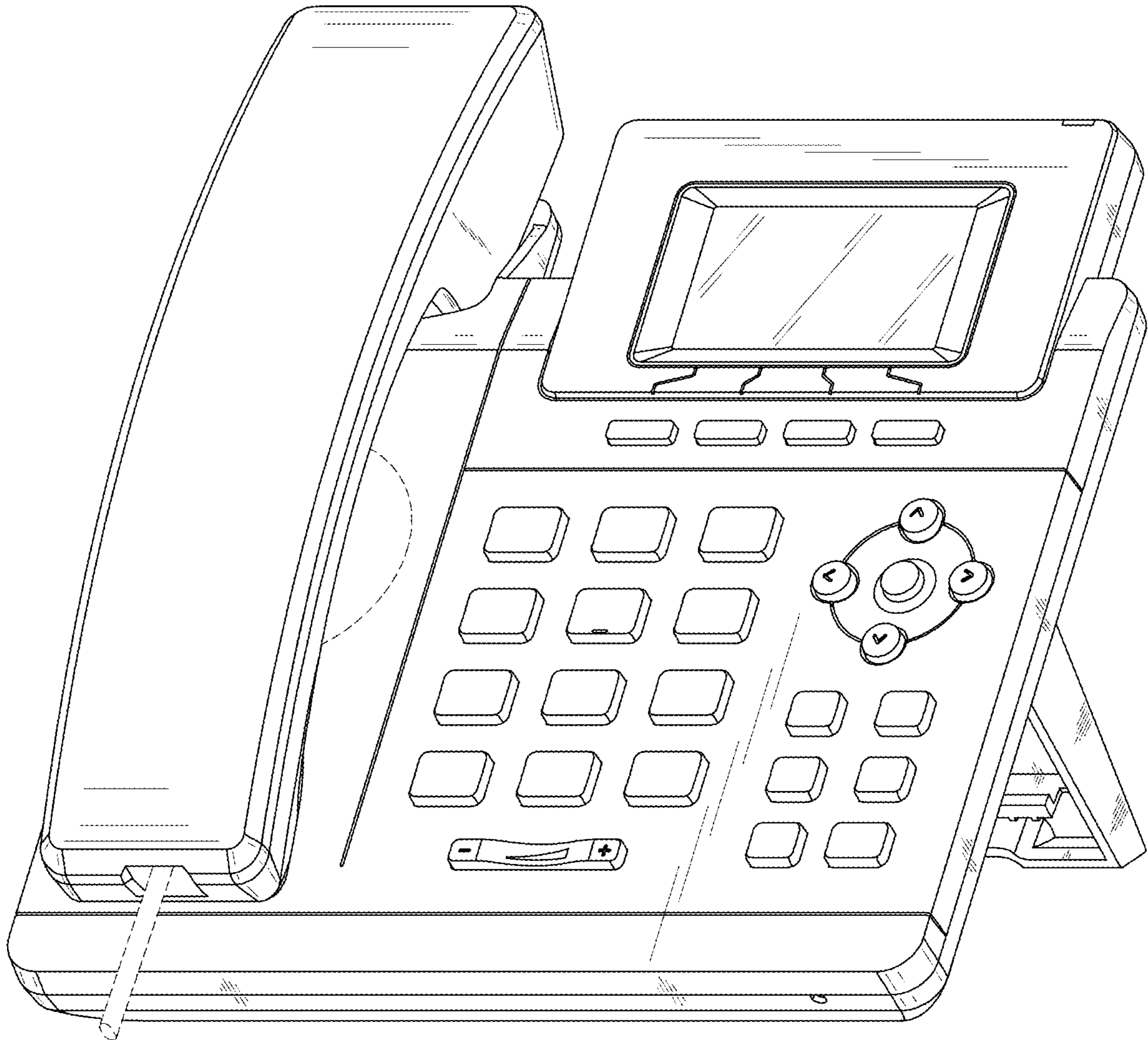


FIG. 7

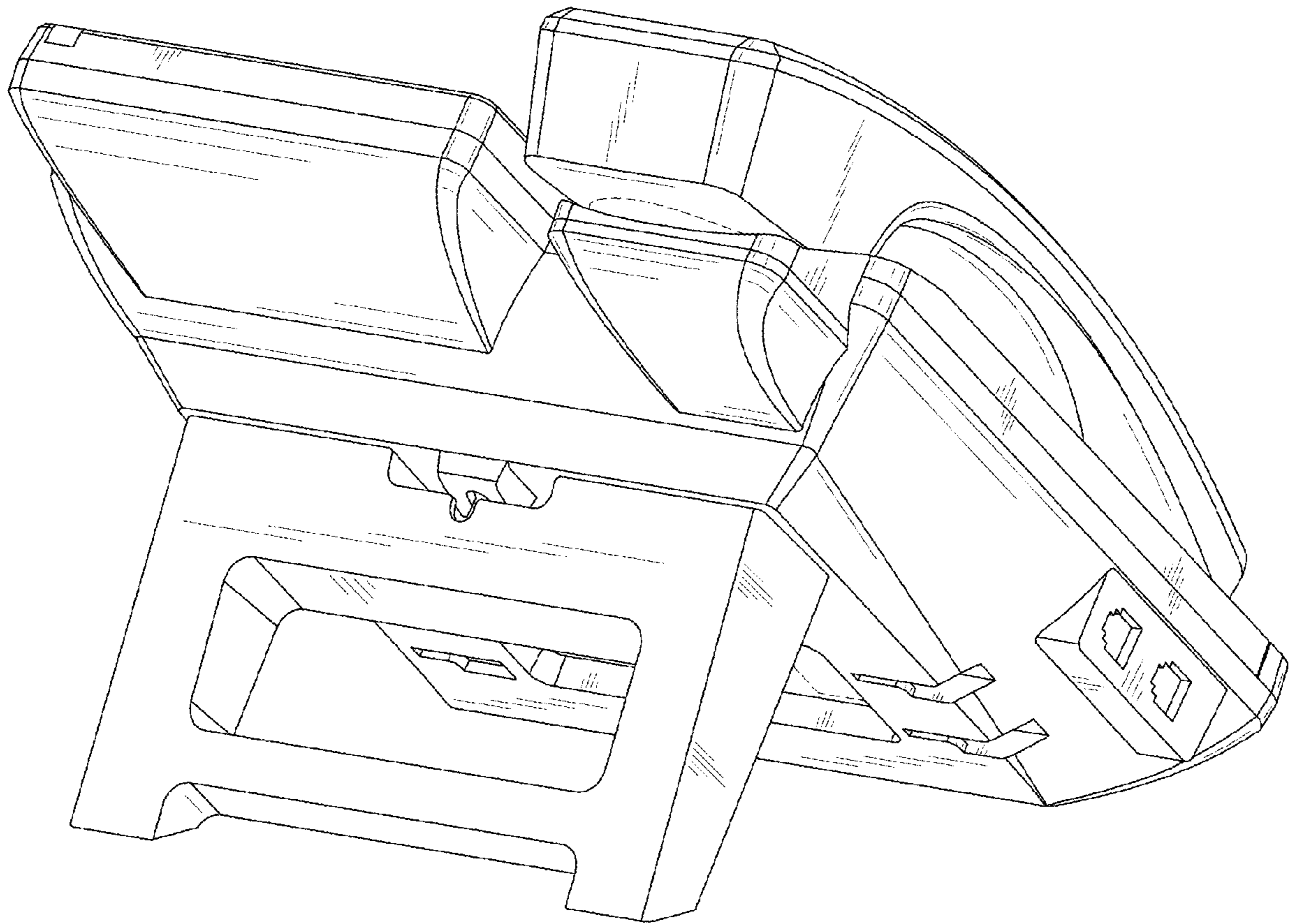


FIG.8

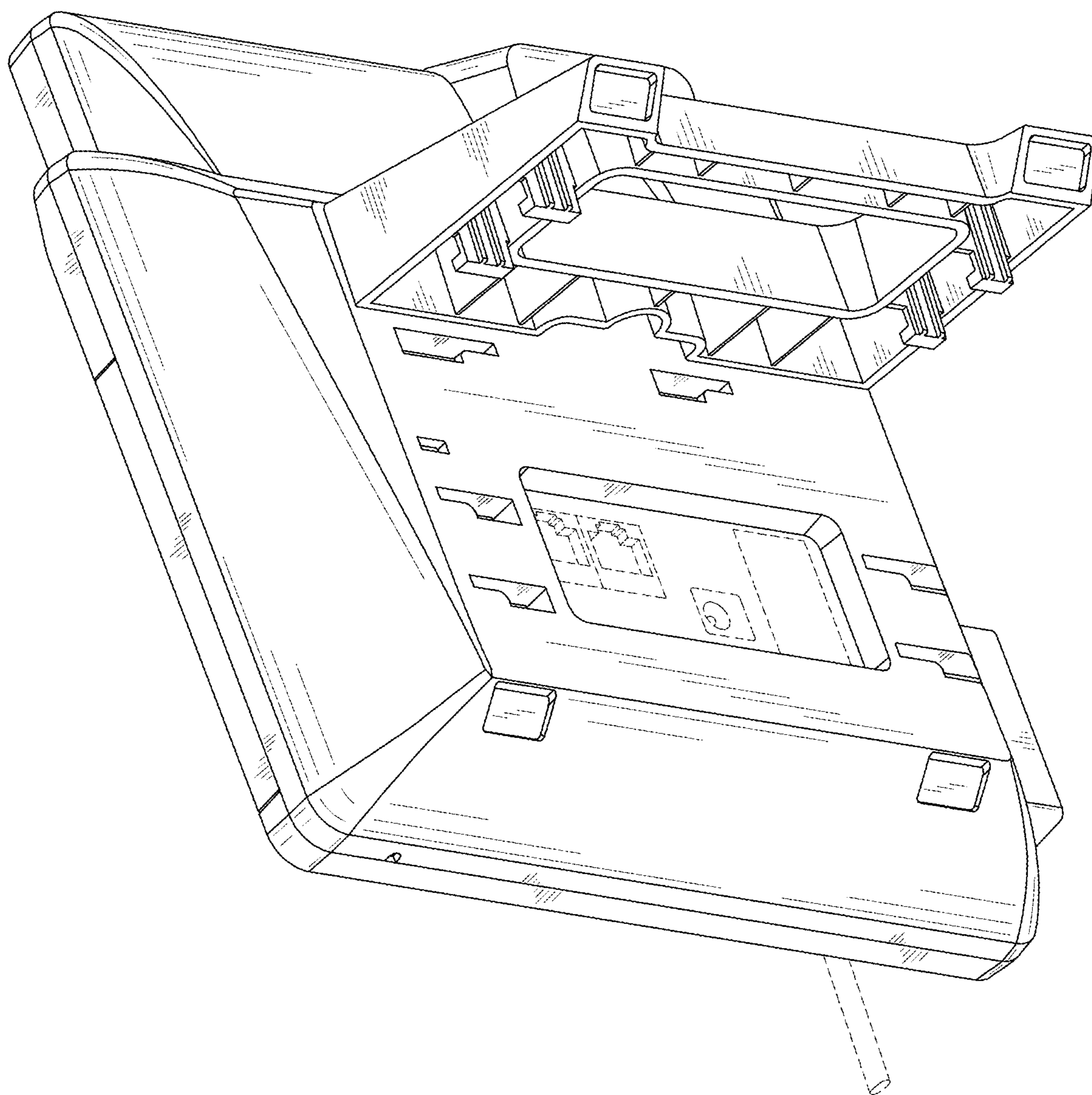


FIG.9