



US00D934832S

(12) **United States Design Patent** (10) **Patent No.:** **US D934,832 S**
Su (45) **Date of Patent:** **** Nov. 2, 2021**

(54) **COMMUNICATION EQUIPMENT**
(71) Applicant: **YEALINK (XIAMEN) NETWORK TECHNOLOGY CO., LTD.**, Fujian (CN)
(72) Inventor: **Jingfeng Su**, Fujian (CN)
(73) Assignee: **YEALINK (XIAMEN) NETWORK TECHNOLOGY CO., LTD.**, Xiamen (CN)
(**) Term: **15 Years**
(21) Appl. No.: **29/730,719**
(22) Filed: **Apr. 7, 2020**
(51) **LOC (13) Cl.** **14-03**
(52) **U.S. Cl.**
USPC **D14/151**
(58) **Field of Classification Search**
USPC D14/432-343, 357, 344, 140, 496, 401, D14/435, 474, 483, 209.1, 137, 138, D14/158-172, 356, 203.1-203.8, 507, D14/155, 212-218, 257, 258, 341, 346, D14/299, 266, 358, 454-445, 192, 221, D14/127-130, 211, 240, 243, 247-249, D14/251, 329, 455, 206, 204, 188, D14/147-151, 144, 142, 141.1, 138 R, D14/138 AA, 138 AB, 138 G, 138 AD; D3/215, 218, 904; D21/517, 333, 331, D21/566; D24/165, 185, 186; D18/1, 7; D10/104, 104.1, 106, 65, 78, 104.2, 70, D10/31-32, 38-38, 106.1, 106.3, 106.5; D13/168; D11/3-5, 12, 19, 25; D30/151-152
CPC H04M 1/00; H04M 1/026; H04M 1/04; H04M 1/6033; H04M 1/6041; H04M 3/02; H04M 3/005; H04M 3/56; H04M 3/564; H04M 3/568; H04M 9/02; H04M 9/022;

(Continued)

(56) **References Cited**
U.S. PATENT DOCUMENTS
5,369,700 A * 11/1994 Koura H04M 1/247
379/110.01
D616,843 S * 6/2010 Jones D14/130
(Continued)

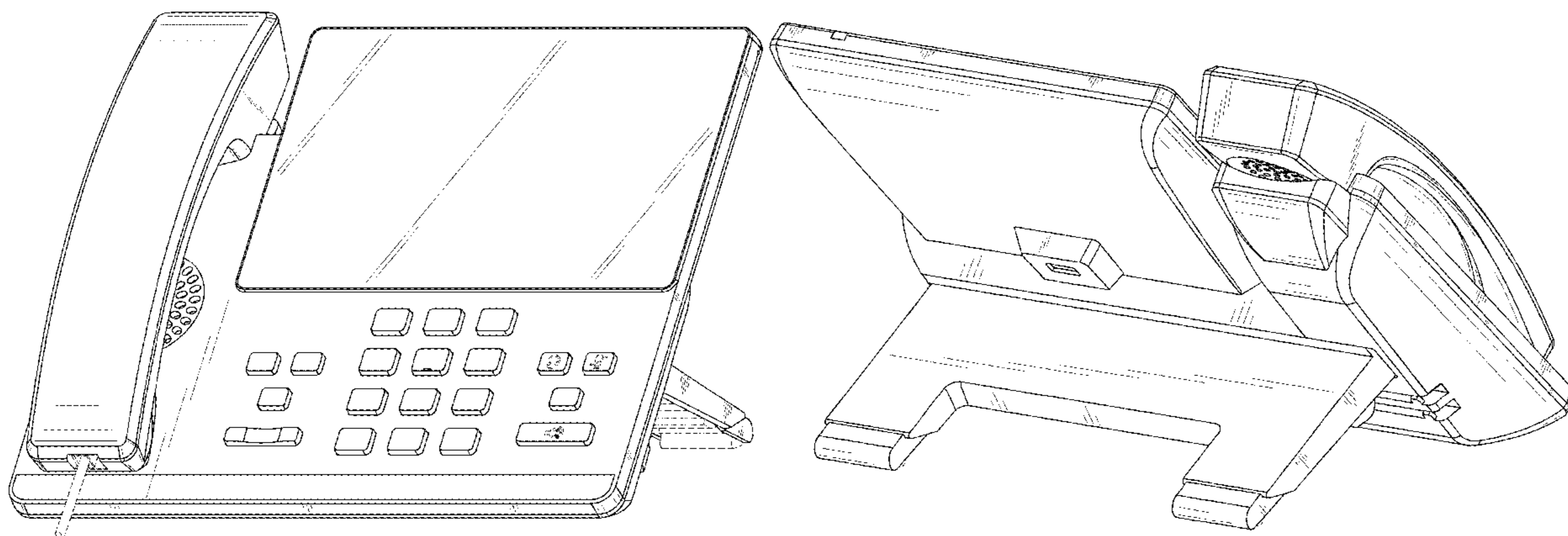
OTHER PUBLICATIONS
Multimedia Desktop IP Phone (with camera support) T58A, yealink.co.za, [online], [site visited Jul. 23, 2021], Available from internet URL: <https://www.yealink.co.za/products/voice/t5-series/multimedia-desktop-ip-phone-with-camera-support/> (Year: 2021).*
(Continued)

Primary Examiner — Samantha Q Lawrence
Assistant Examiner — Holly M Rodriguez

(57) **CLAIM**
The ornamental design for a communication equipment, as shown and described.

DESCRIPTION
FIG. 1 is a front elevational view of a communication equipment showing my new design;
FIG. 2 is a rear elevational view thereof;
FIG. 3 is a left side view thereof;
FIG. 4 is a right side view thereof;
FIG. 5 is a top plan view thereof;
FIG. 6 is a bottom plan view thereof;
FIG. 7 is a bottom, front and right side perspective view thereof;
FIG. 8 is a top, rear and left side perspective view thereof;
and,
FIG. 9 is a bottom, rear and right side perspective view thereof.
The broken lines in the drawings illustrate portions of the communication equipment which form no part of the claimed design.

1 Claim, 8 Drawing Sheets



(58) **Field of Classification Search**

CPC H04M 9/08; H04M 1/003; H04M 1/02;
H04M 1/03; H04M 1/0202; H04M
1/0295; H04M 1/20; H04M 1/21; H04M
1/22; H04M 1/23; H04M 1/233; H04M
1/236; H04M 1/0289; H04M 1/0297;
H04M 1/0214; H04M 1/253; H04M
1/2535; H04M 7/006; H04R 1/403; H04R
1/406; H04N 7/14; H04N 7/142; H04N
7/147; A63H 33/30; A63H 33/3016
See application file for complete search history.

(56)

References Cited

U.S. PATENT DOCUMENTS

D668,901 S * 10/2012 Jones D6/575
D784,283 S * 4/2017 Snyder D14/144
D829,683 S * 10/2018 Su D14/151

D851,617 S * 6/2019 Rodriguez D14/151
D852,770 S * 7/2019 Baskett D14/151
D893,443 S * 8/2020 Rodriguez D14/142
D911,994 S * 3/2021 Amarosa D14/130
2014/0064477 A1* 3/2014 Chiang H04M 1/06
379/436

OTHER PUBLICATIONS

Mitel Networks 50006770, first available Jul. 8, 2021, newegg.com, [online], [site visited Jul. 23, 2021], Available from internet URL: <https://www.newegg.com/p/0ZU-009V-00058> (Year: 2021).*

Yealink SIP-T48G Gbit VoIP Phone Ultra-Elegant Touch, first available Feb. 6, 2014, amazon.com, [online], [site visited Jul. 23, 2021], Available from internet URL: https://www.amazon.com/Yealink-SIP-T48G-Phone-Ultra-Elegant-Touchscreen/dp/B00IA8NFIS/ref=sr_1_328_sspa?dchild=1&keywords=Conference%E2%80%A6 (Year: 2014).*

* cited by examiner

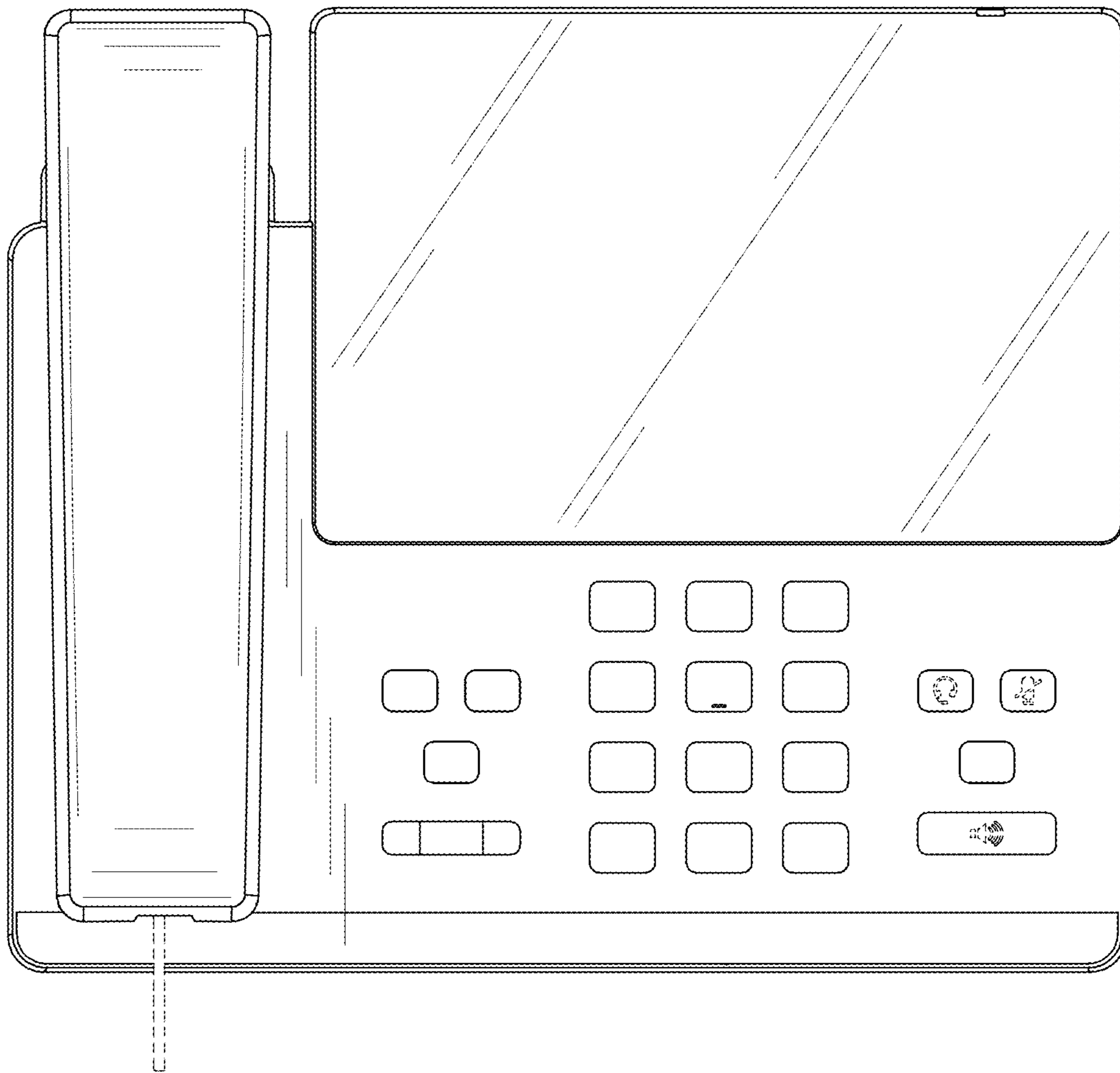


FIG.1

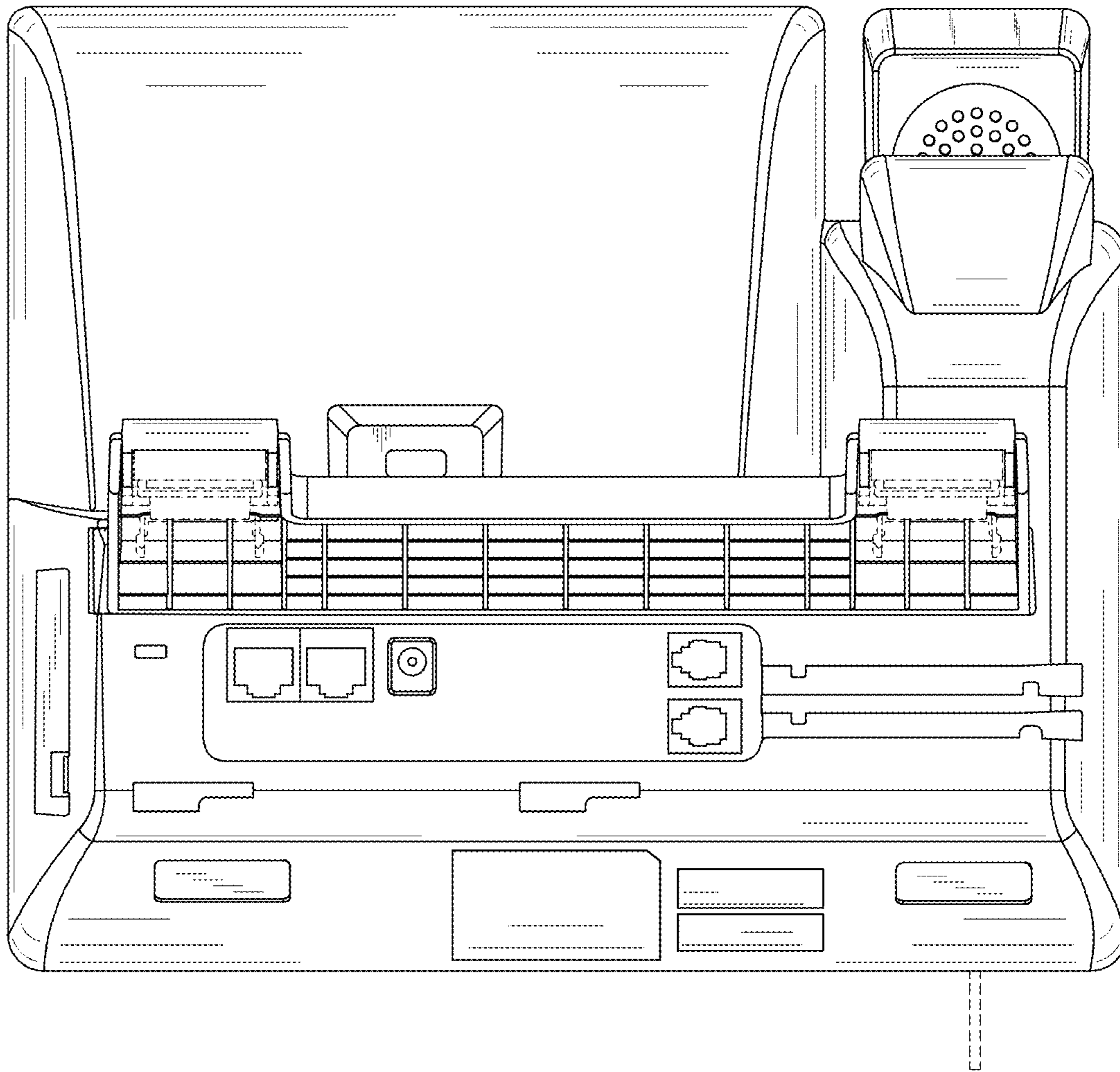


FIG.2

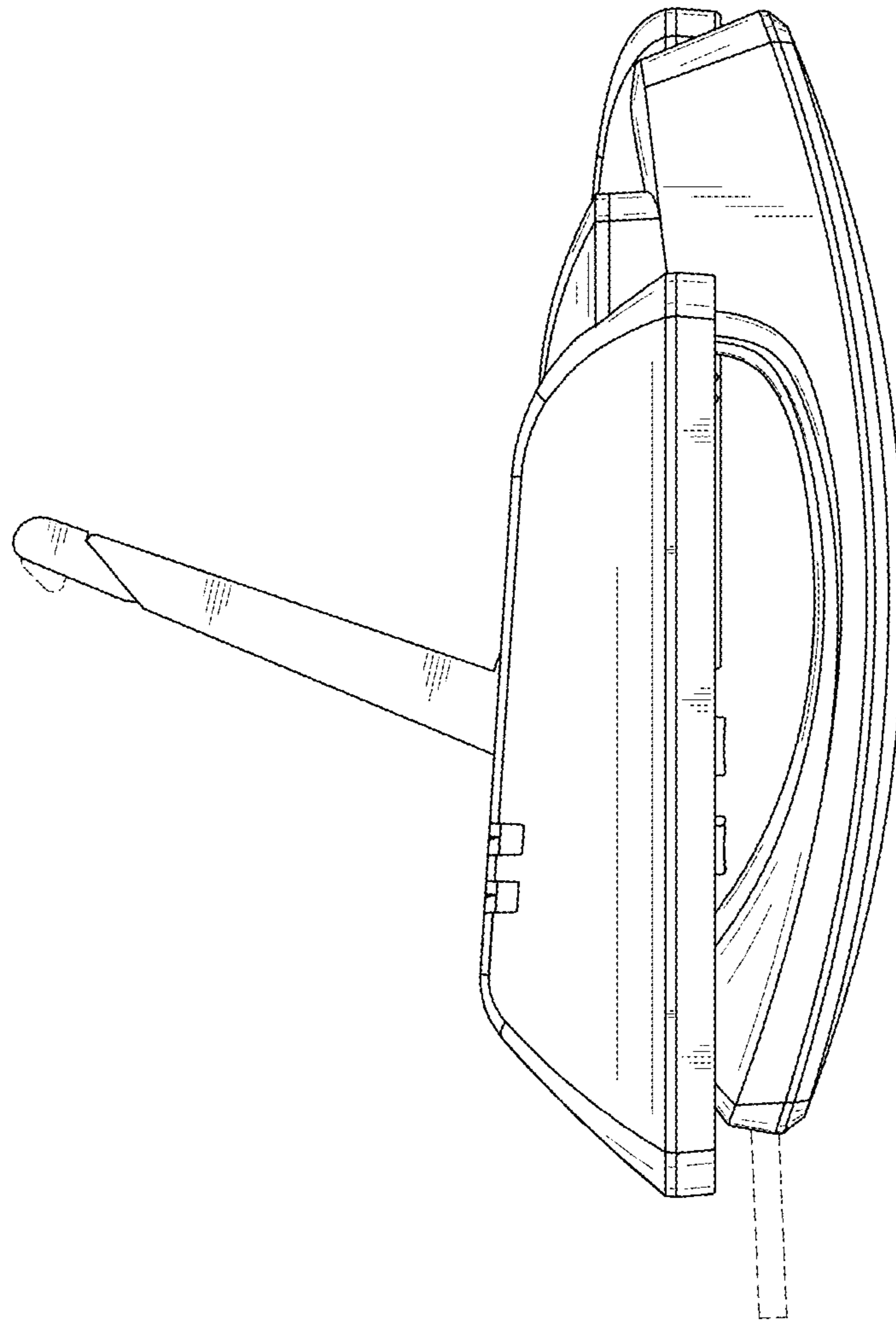


FIG.3

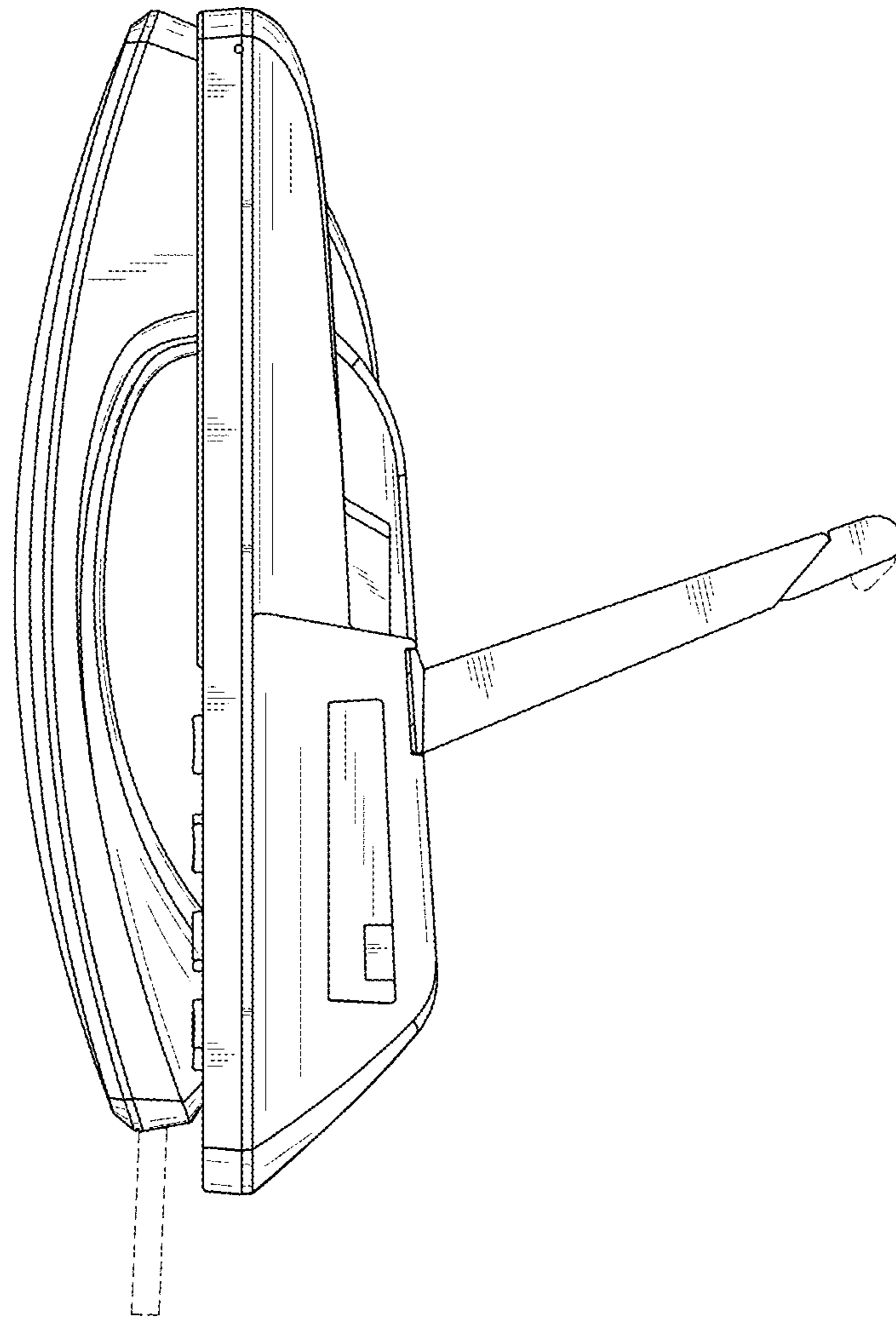


FIG.4

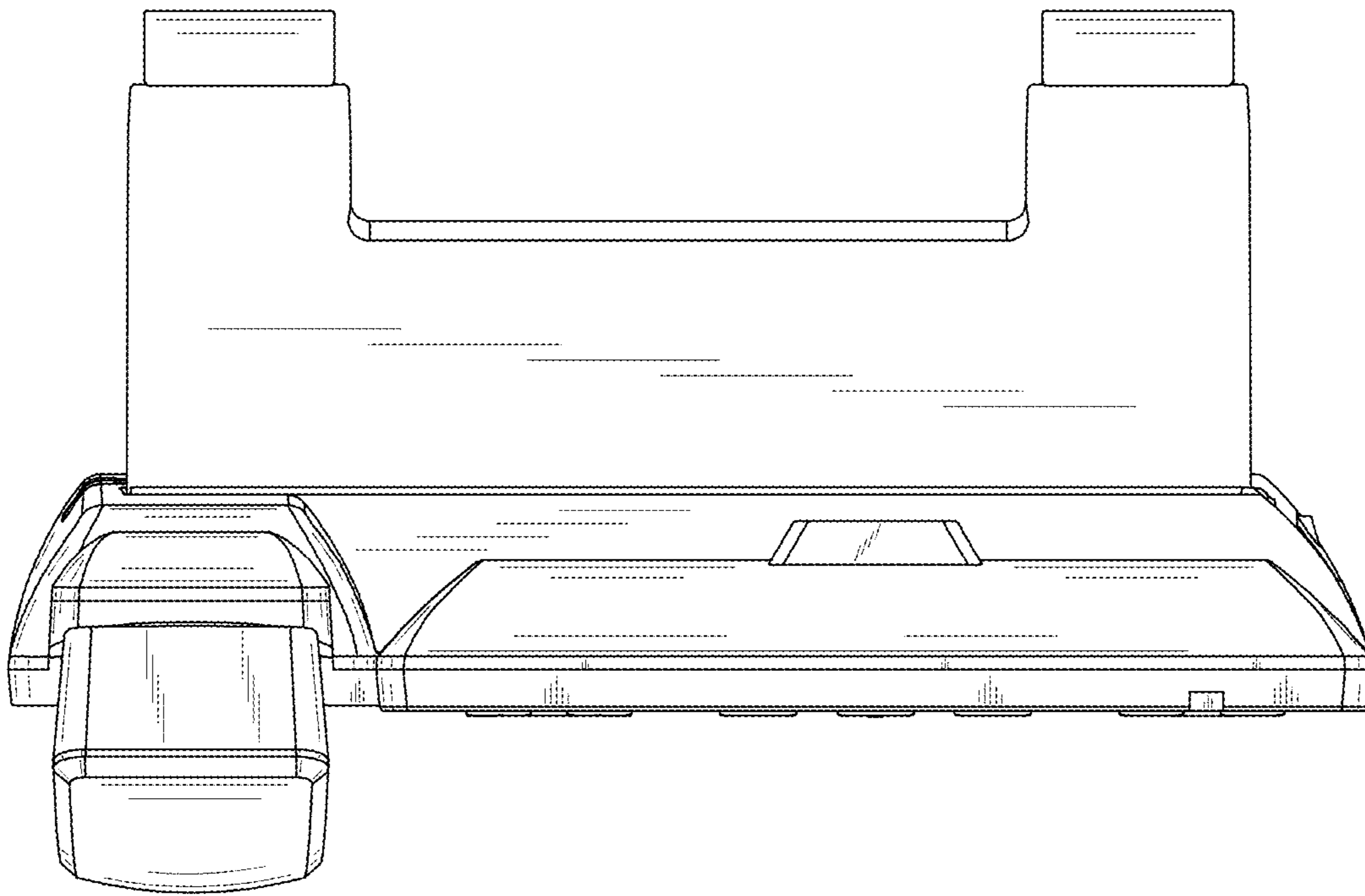


FIG.5

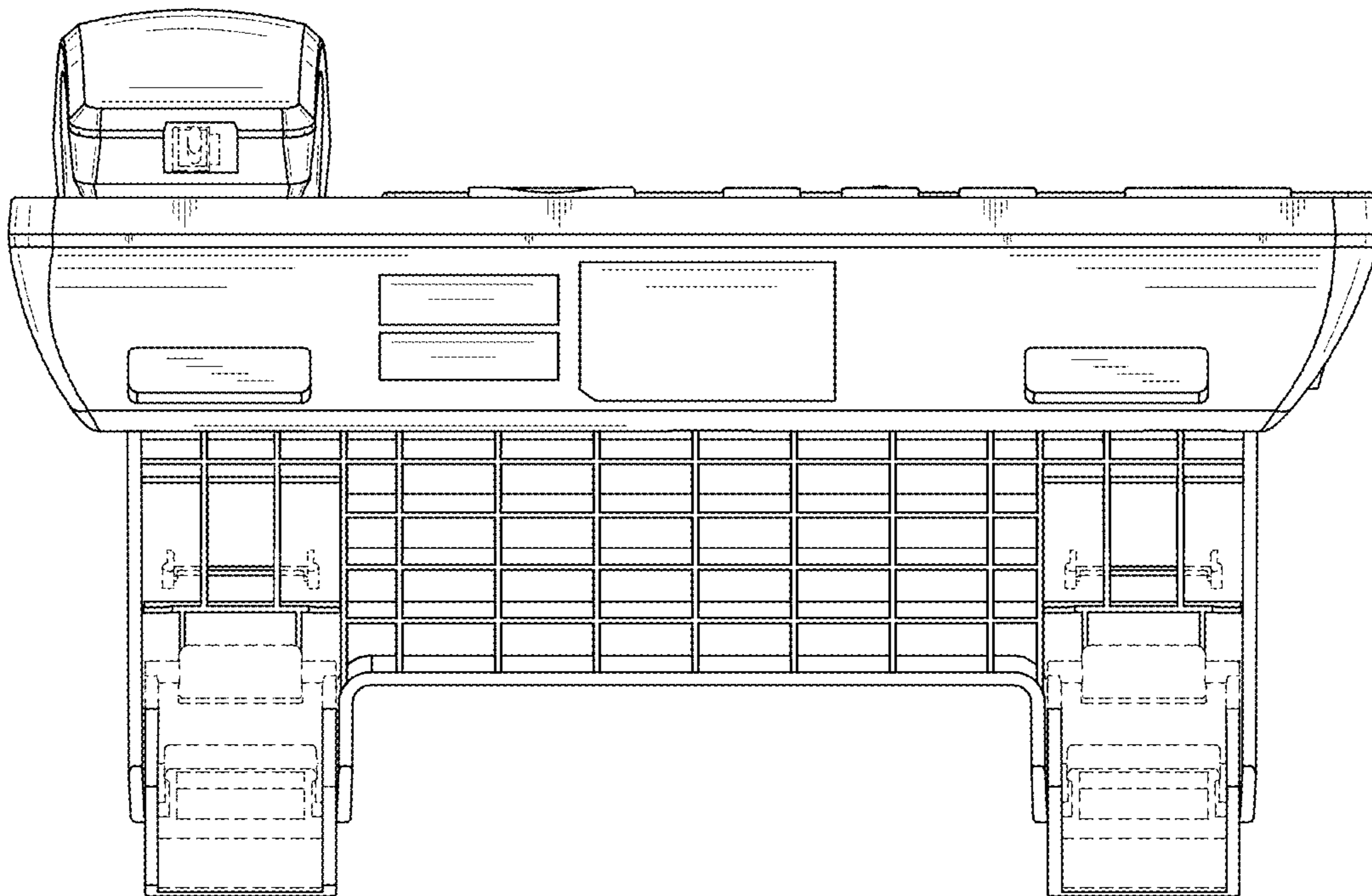


FIG.6

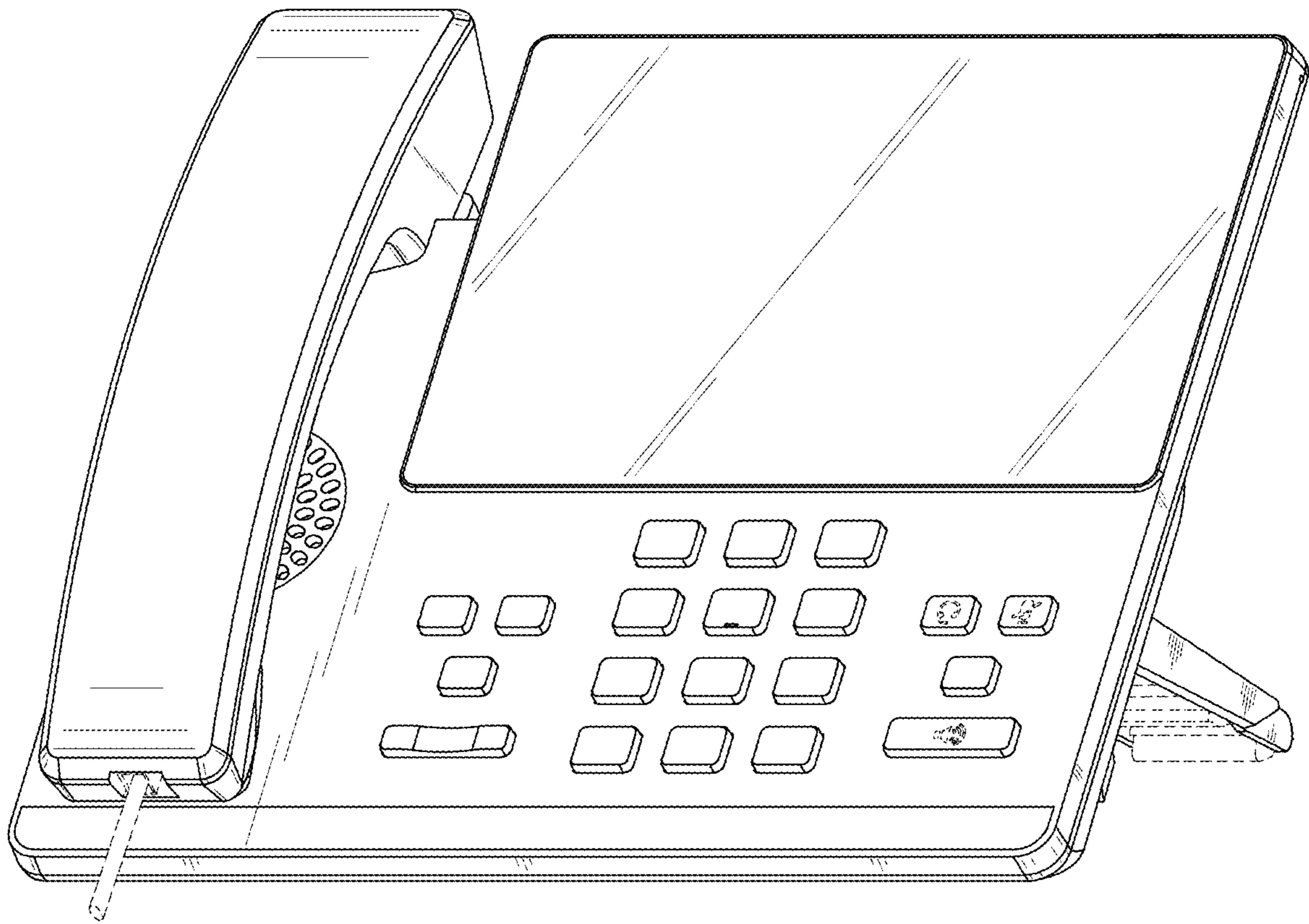


FIG.7

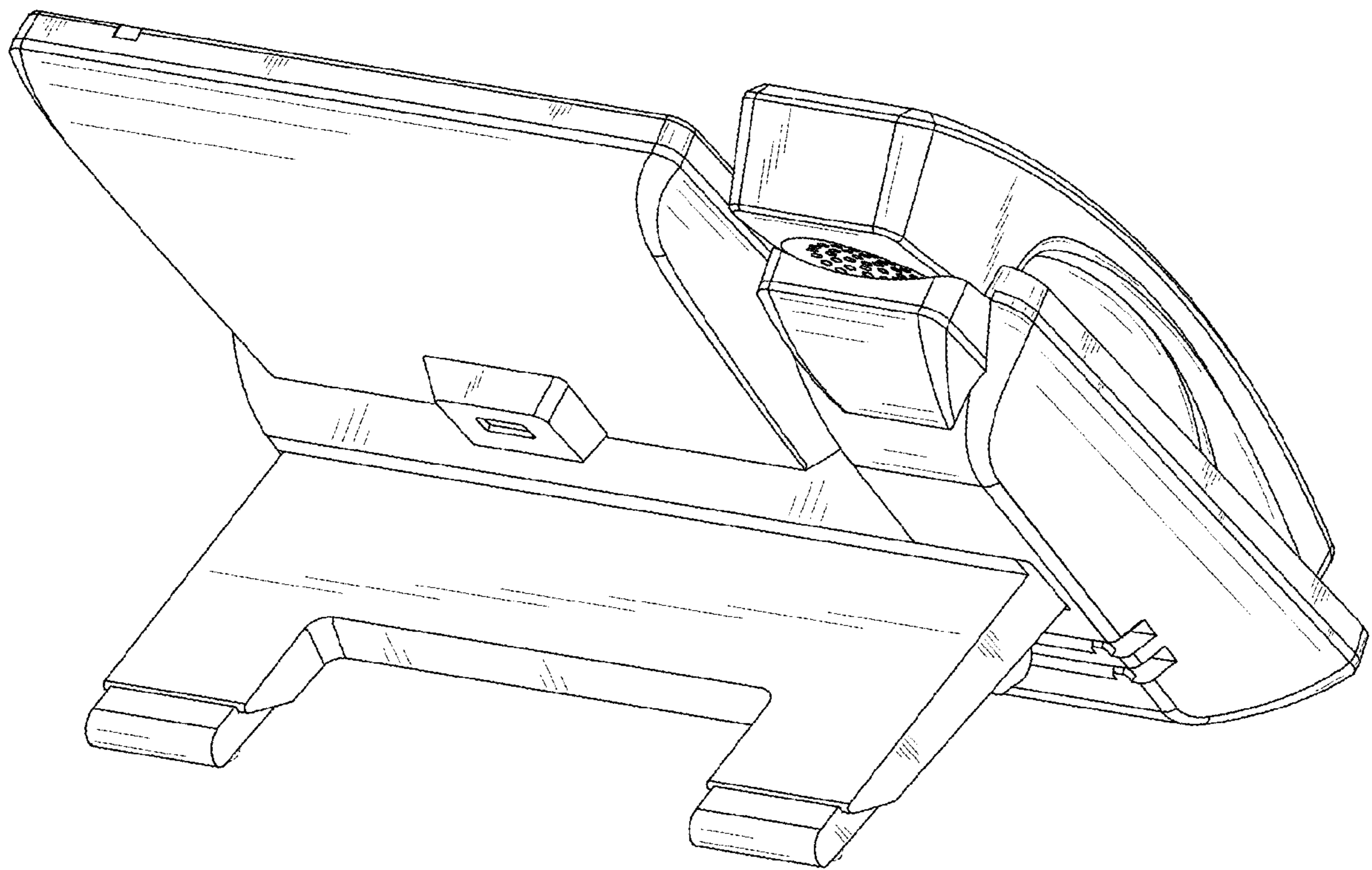


FIG.8

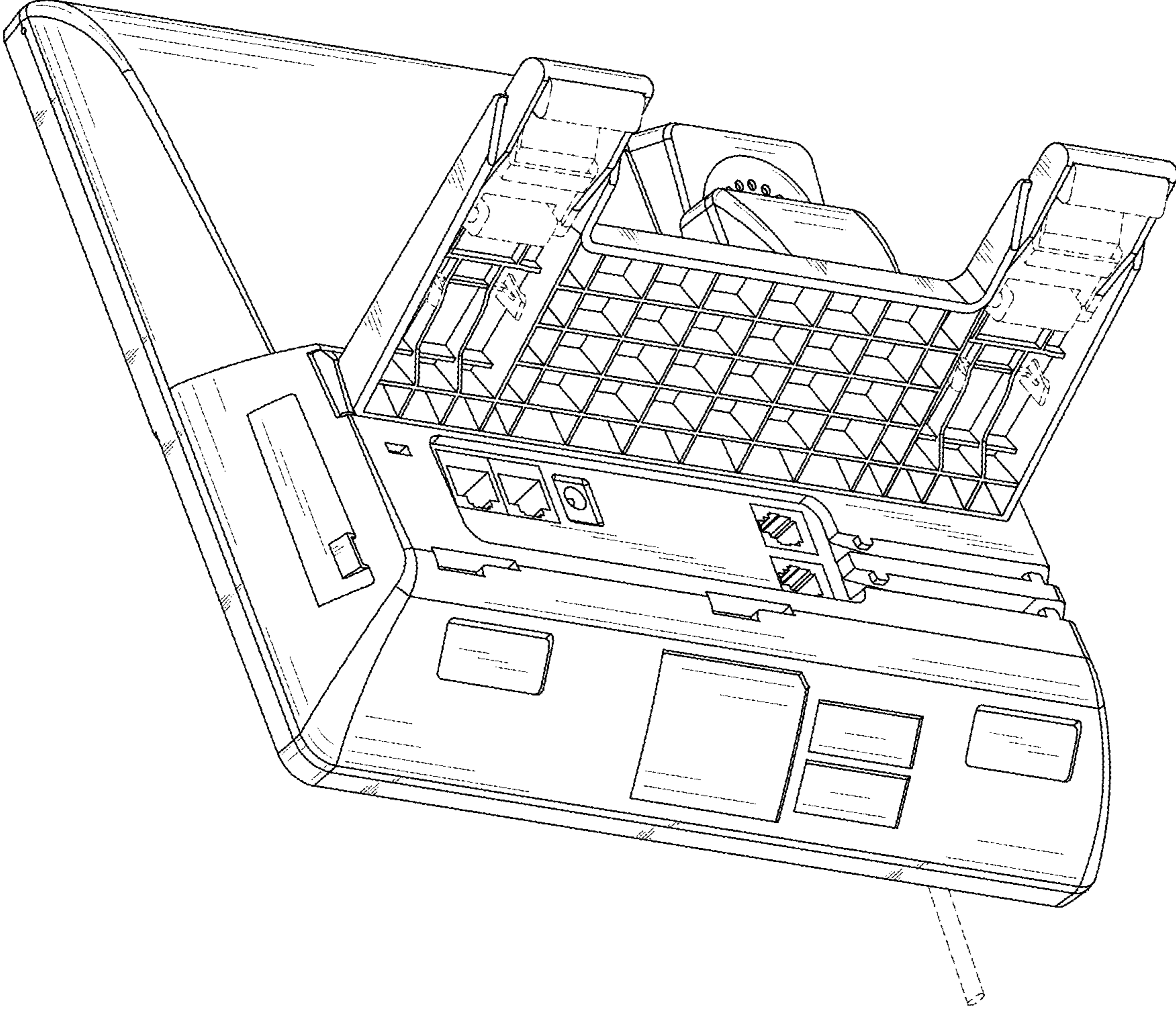


FIG.9