

US00D934831S

(12) **United States Design Patent** (10) **Patent No.:** **US D934,831 S**
Liu (45) **Date of Patent:** **** Nov. 2, 2021**

(54) **HANDHELD TRANSCEIVER**
(71) Applicant: **CHONGQING FICUU TECHNOLOGY CO., LTD.,**
Chongqing (CN)

(72) Inventor: **Keyang Liu,** Chongqing (CN)

(73) Assignee: **CHONGQING FICUU TECHNOLOGY CO., LTD.,**
Chongqing (CN)

(**) Term: **15 Years**

(21) Appl. No.: **29/682,644**

(22) Filed: **Mar. 6, 2019**

(30) **Foreign Application Priority Data**

Nov. 5, 2018 (CN) 201830622668.9

(51) **LOC (13) Cl.** **14-03**

(52) **U.S. Cl.**
USPC **D14/137**

(58) **Field of Classification Search**
USPC D14/137, 138 AA, 147, 148, 218, 155,
D14/159, 142, 225, 226, 191, 203.3,
D14/203.7, 203.1, 203.5, 188, 192,
D14/194-198, 214, 219, 221, 172;
D21/517, 566, 324, 329, 331; D10/104.1,
D10/104.2, 106.1, 65, 78, 38; D13/168;
D30/199; D6/308
CPC H04B 1/3833; H04B 1/3827; H04B
2001/3861; H04M 1/233; G08B 21/0202
See application file for complete search history.

(56) **References Cited**

U.S. PATENT DOCUMENTS

4,856,088 A * 8/1989 Oliwa G08B 5/225
455/349
D355,385 S * 2/1995 Abrams D14/159
D467,889 S * 12/2002 Cebe D14/137

D490,064 S * 5/2004 Yi D14/137
D500,486 S * 1/2005 Zeitman D14/188
D519,477 S * 4/2006 Liu D14/137
D558,068 S * 12/2007 Sirmakes D10/39

(Continued)

FOREIGN PATENT DOCUMENTS

CN 305286414 * 8/2019
CN 305347682 * 9/2019

OTHER PUBLICATIONS

Samsung T500 pictures, released 2003 Q1, [online], [site visited
Aug. 10, 2021]. Internet URL: https://www.gsmarena.com/samsung_t500-pictures-378.php (Year: 2003).*

(Continued)

Primary Examiner — Jeffrey D Asch

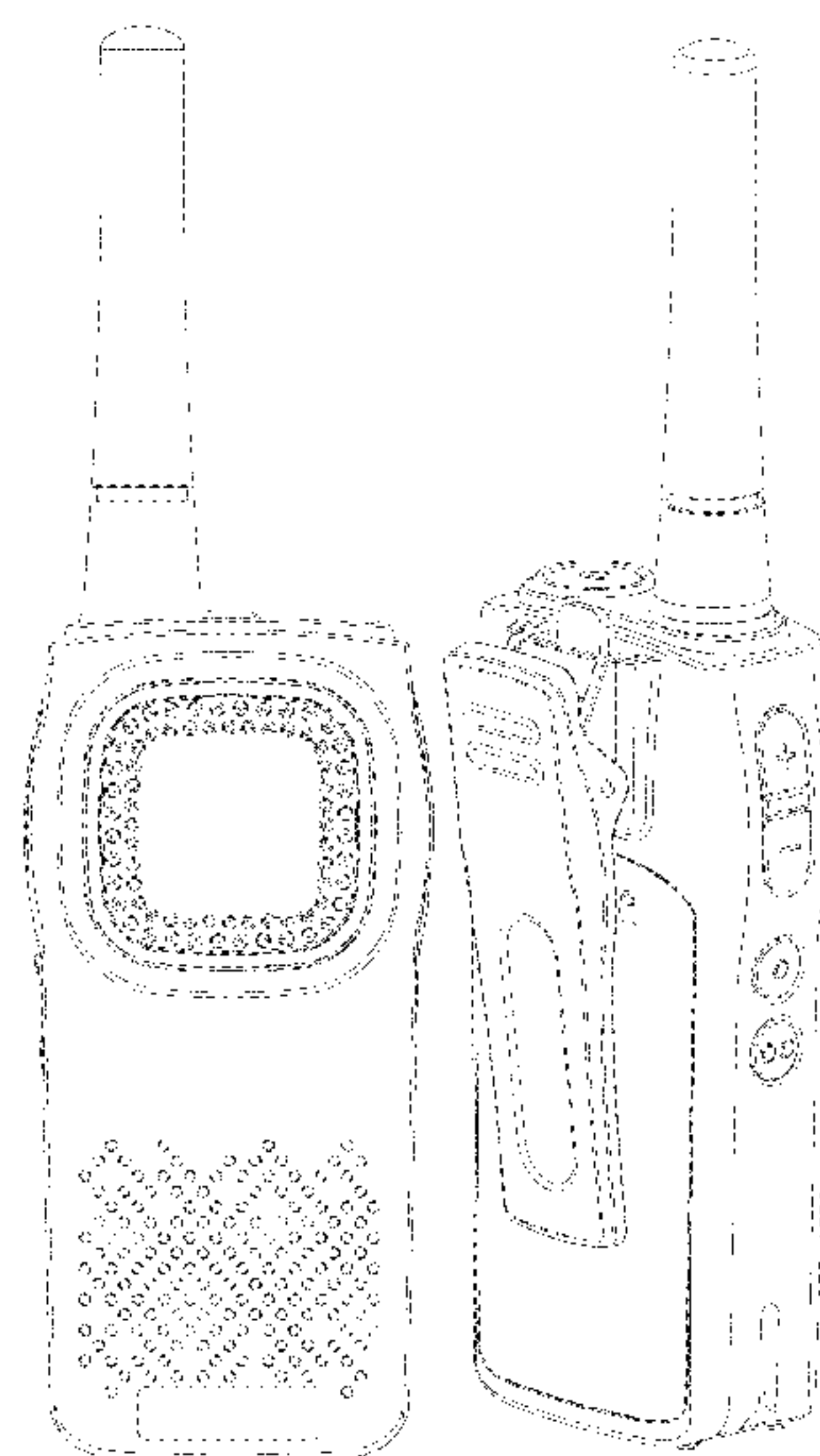
(57) **CLAIM**

The ornamental design for a handheld transceiver, as shown
and described.

DESCRIPTION

FIG. 1 is a front elevational view of a handheld transceiver
showing my new design;
FIG. 2 is a rear elevational view thereof;
FIG. 3 is a left side view thereof;
FIG. 4 is a right side view thereof;
FIG. 5 is a top plan view thereof;
FIG. 6 is a bottom plan view thereof;
FIG. 7 is a front and right side perspective view thereof;
FIG. 8 is a front and left side perspective view thereof;
FIG. 9 is a rear and left side perspective view thereof;
FIG. 10 is a rear and right side perspective view thereof;
FIG. 11 is a top, front and right side perspective view
thereof; and,
FIG. 12 is a bottom, rear and left side perspective view
thereof.

1 Claim, 12 Drawing Sheets



(56)

References Cited

U.S. PATENT DOCUMENTS

D635,545 S * 4/2011 Sakai D14/167
 D677,230 S * 3/2013 Ooi D14/137
 D685,753 S * 7/2013 Kang D14/137
 D711,346 S * 8/2014 Ismail D14/191
 D717,258 S * 11/2014 Garra D14/137
 D770,931 S * 11/2016 Parker D10/132
 D807,212 S * 1/2018 Chen D10/78
 D816,632 S * 5/2018 Yamamoto D14/137
 D831,601 S * 10/2018 Ooi D14/137
 D835,860 S * 12/2018 Li D30/199
 D838,611 S * 1/2019 Xie D10/78
 D842,147 S * 3/2019 Xie D10/78
 D856,990 S * 8/2019 Romano D14/250
 D879,062 S * 3/2020 Nishizawa D14/137
 D879,390 S * 3/2020 Cai D30/199
 D881,151 S * 4/2020 Gui D14/137
 10,651,880 B1 * 5/2020 Lee H04B 1/3888

D891,944 S * 8/2020 Stern D10/38
 D892,071 S * 8/2020 Zhang D14/137
 D896,771 S * 9/2020 Shen D14/158
 D915,319 S * 4/2021 Tschopp D14/137
 D917,411 S * 4/2021 Xiao D14/137
 D920,270 S * 5/2021 Xiao D14/137
 D925,385 S * 7/2021 Lin D10/132
 2013/0287213 A1 * 10/2013 Sekiyama H04M 1/18
 381/55
 2015/0133200 A1 * 5/2015 Qu H04M 1/6033
 455/569.1

OTHER PUBLICATIONS

GD800 Digital Portable Radio External Photos Ext Photos GOCOM
 Technology, available Jun. 22, 2020, [online], [site visited Aug. 11,
 2021]. Internet URL: [https://fccid.io/2ARRE-GD800/External-Photos/
 Ext-Photos-4774559](https://fccid.io/2ARRE-GD800/External-Photos/Ext-Photos-4774559) (Year: 2020).*

* cited by examiner

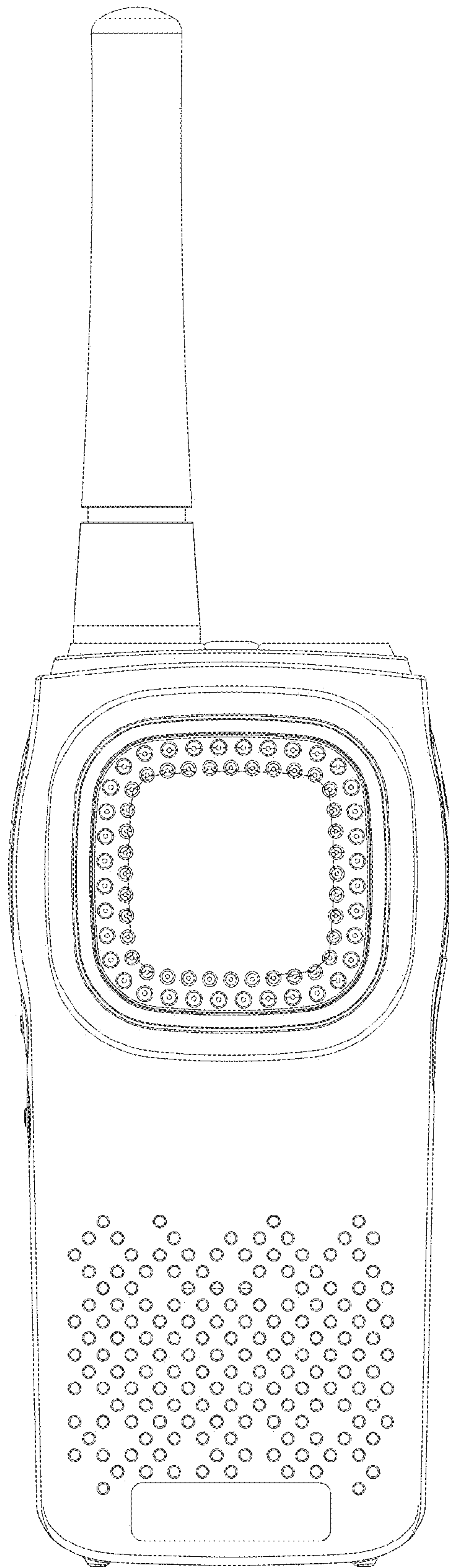


Fig. 1

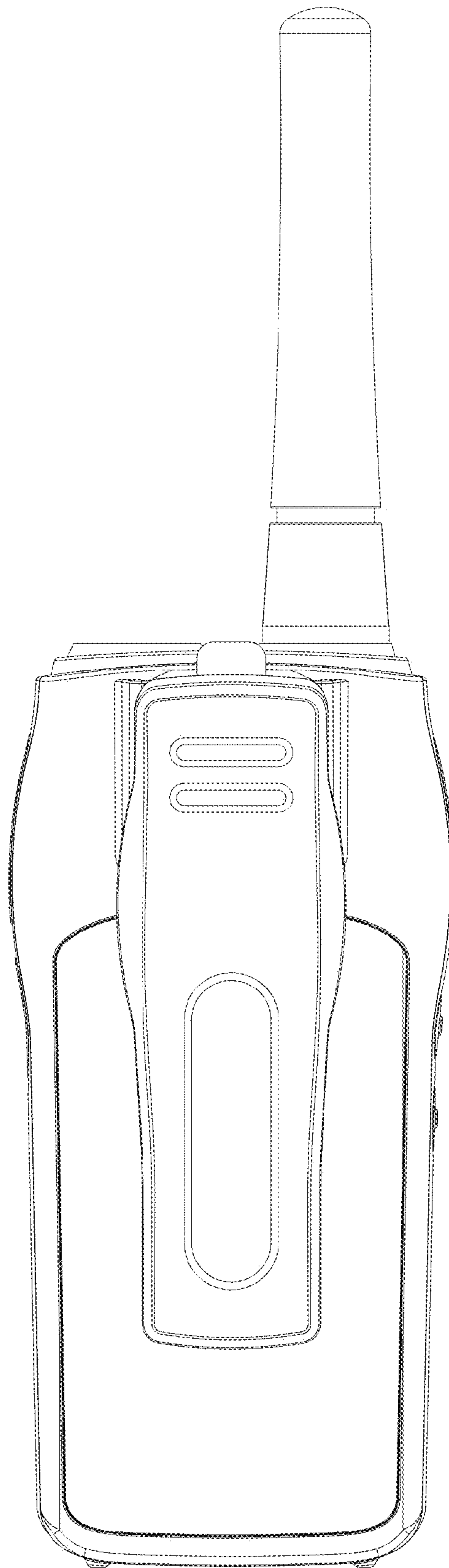


Fig. 2

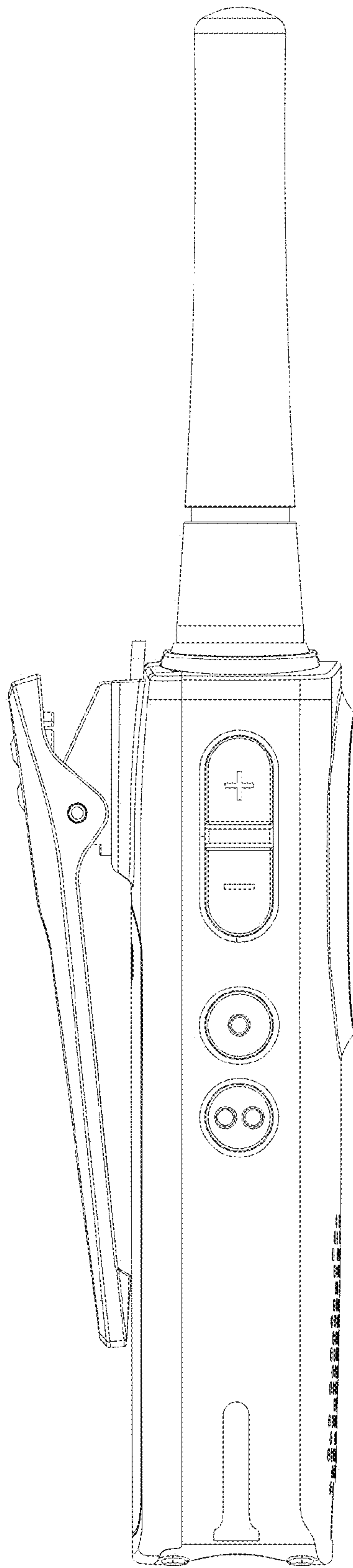


Fig. 3

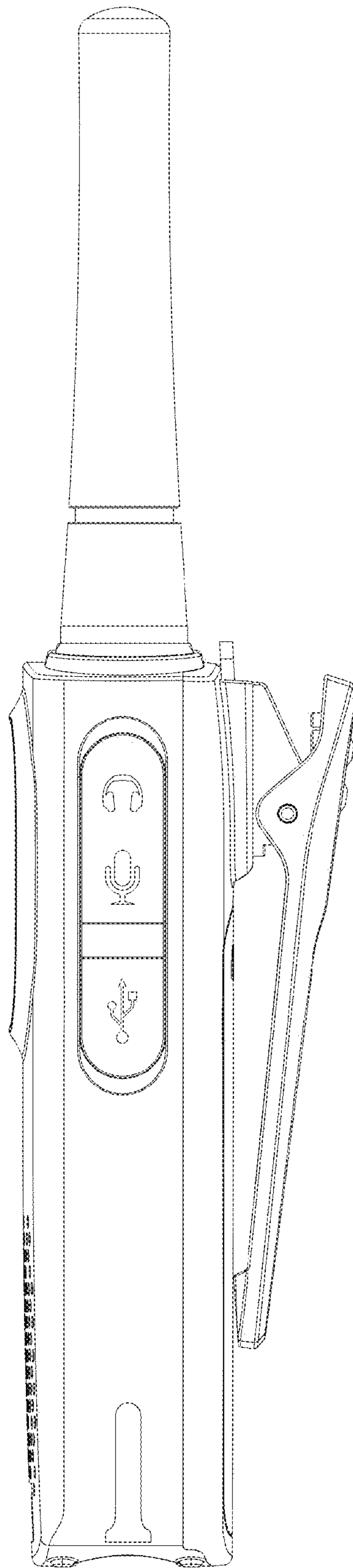


Fig. 4

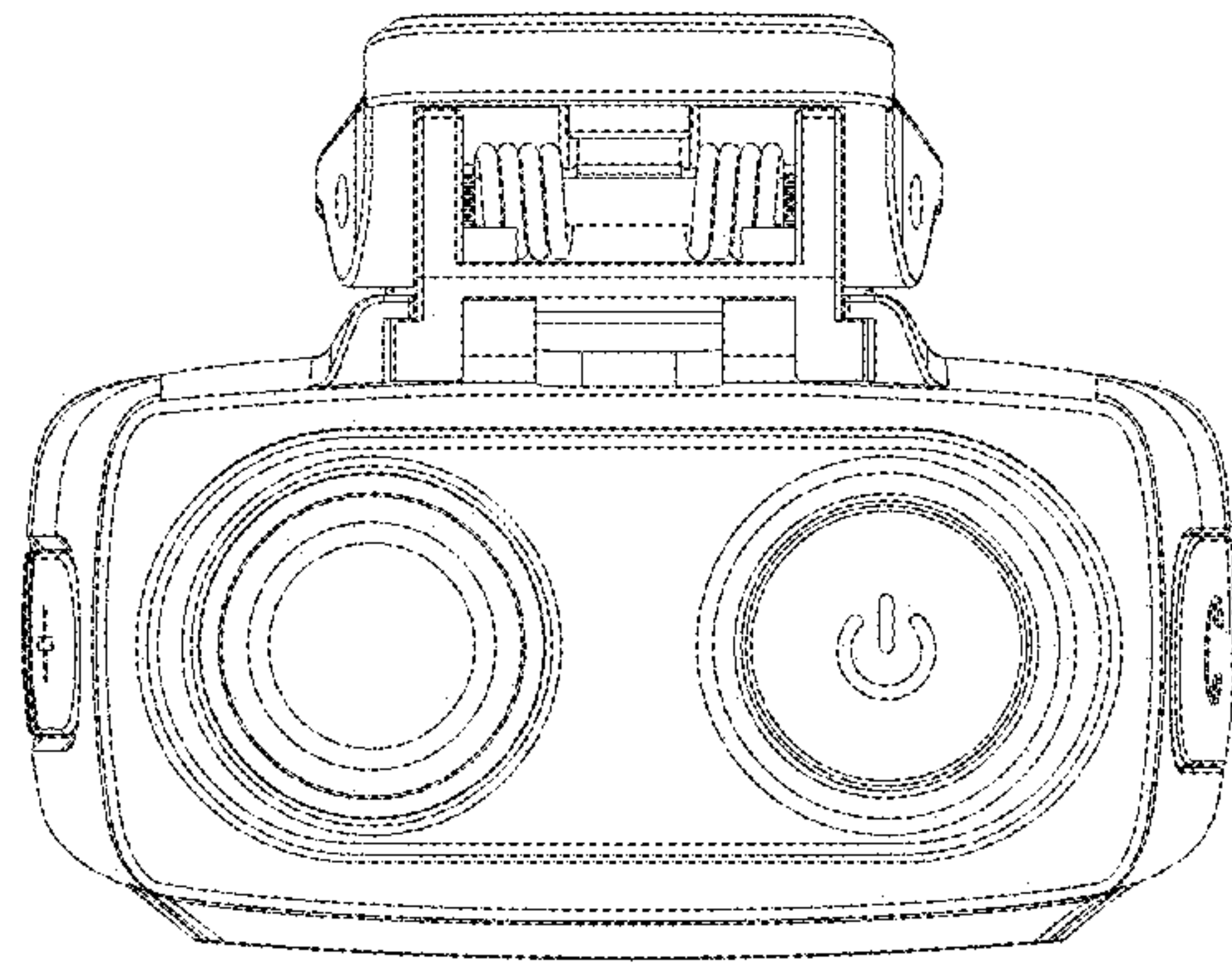


Fig. 5

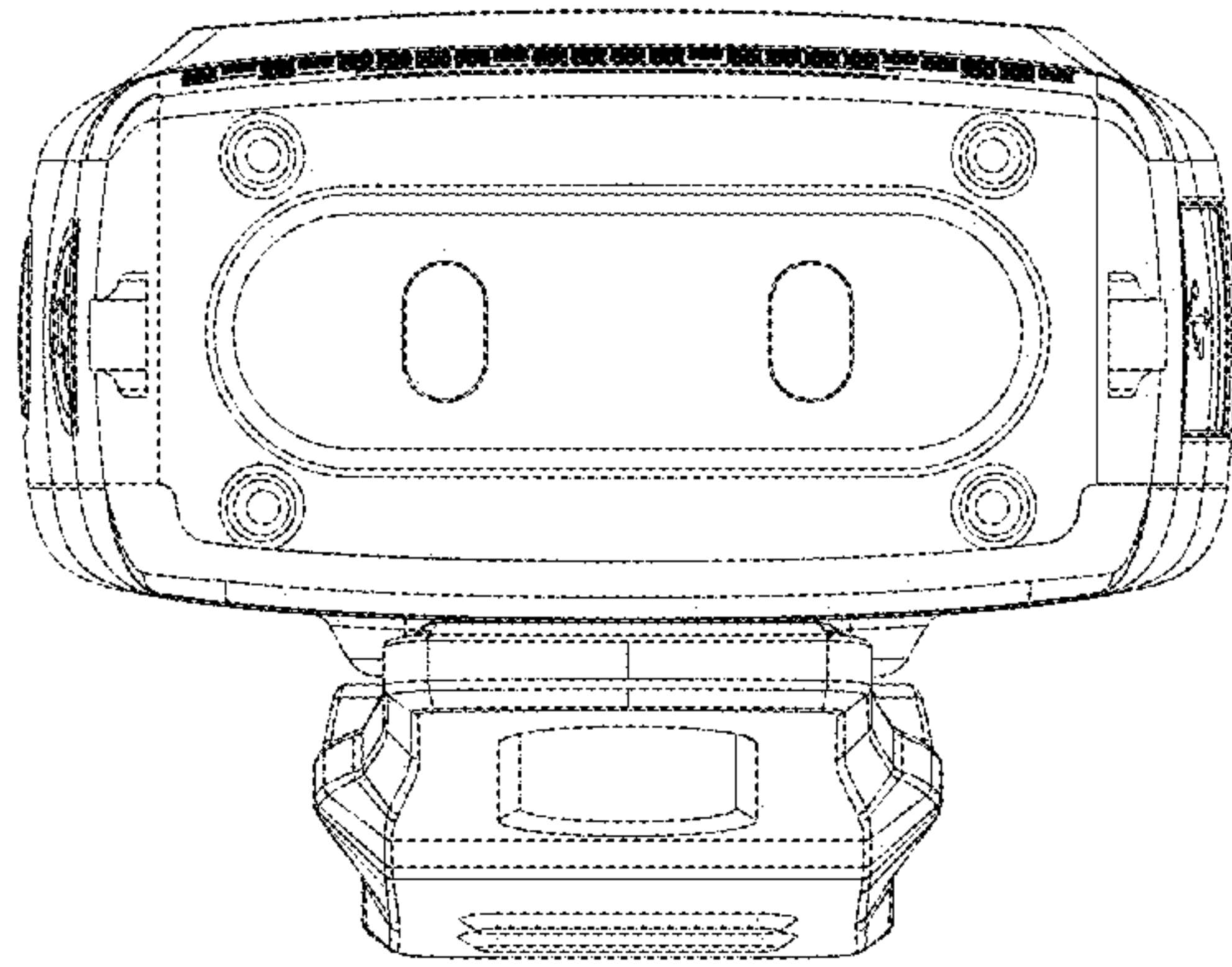


Fig. 6

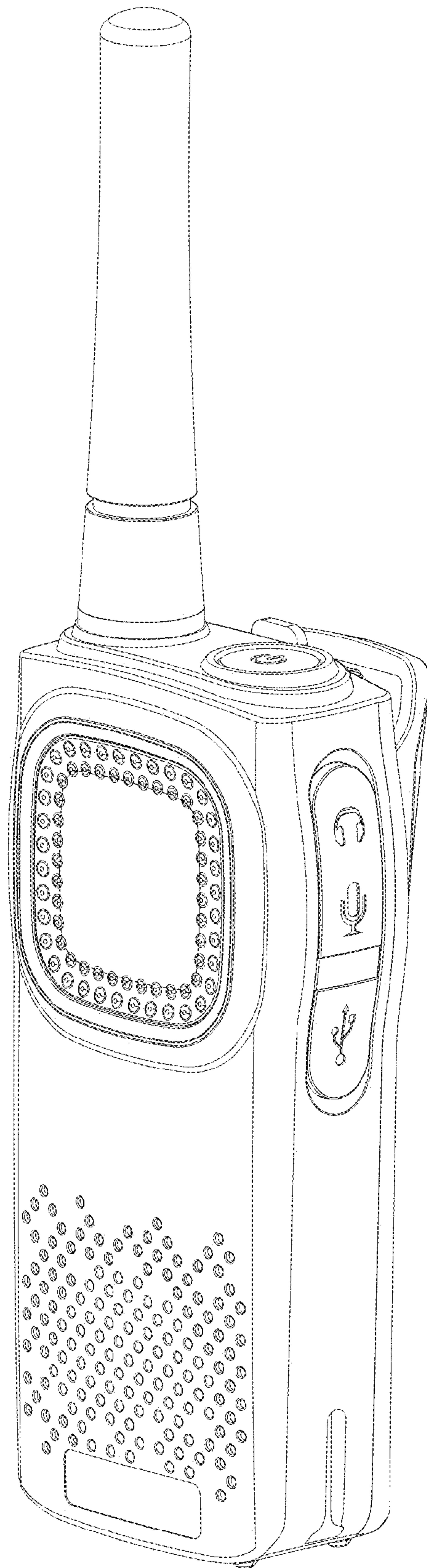


Fig. 7

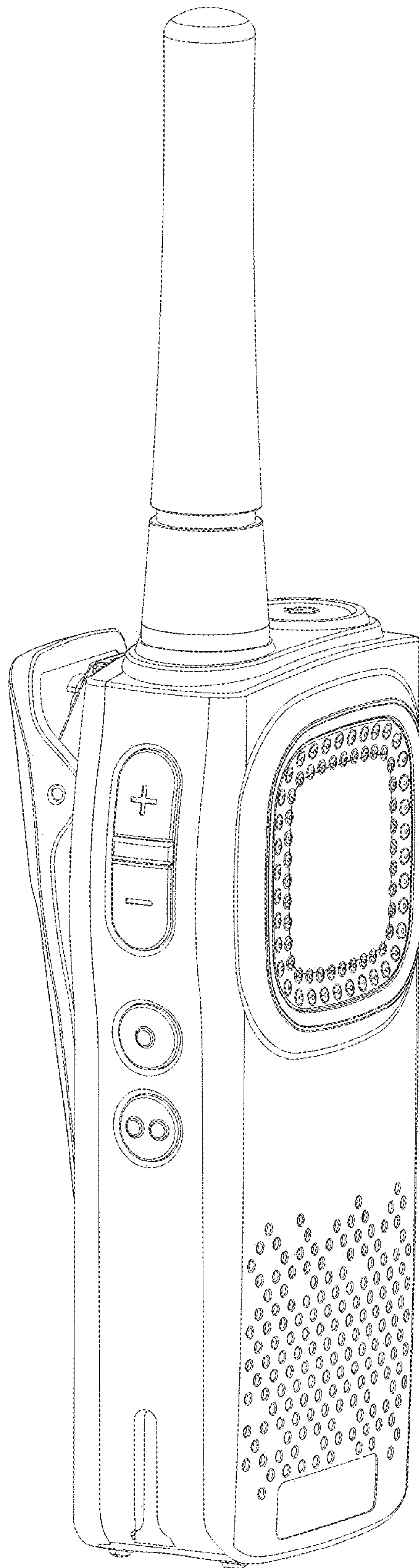


Fig. 8

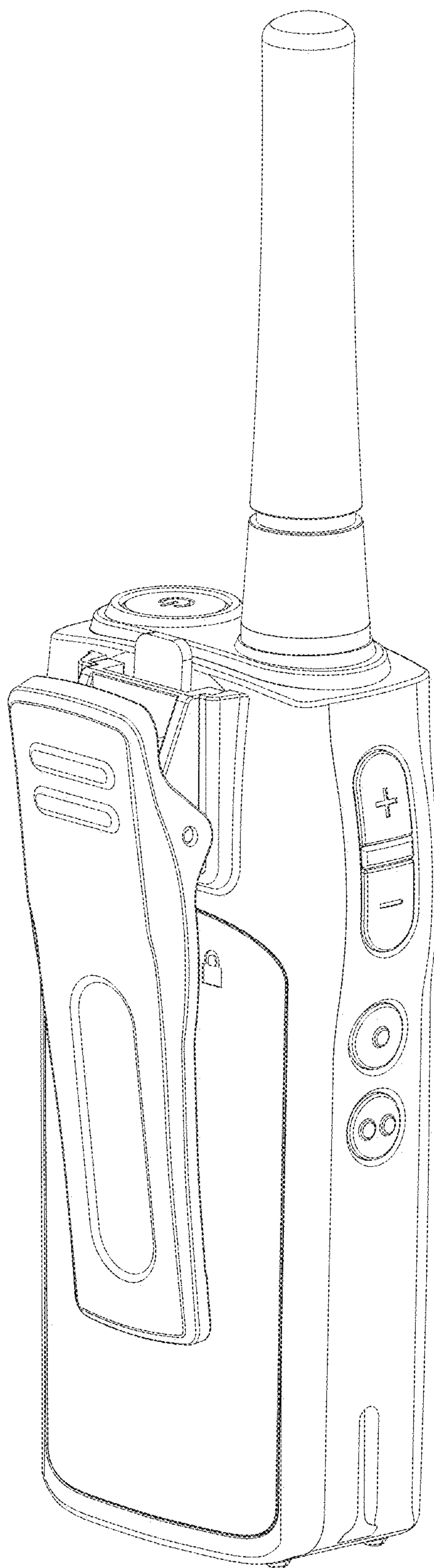


Fig. 9



Fig. 10

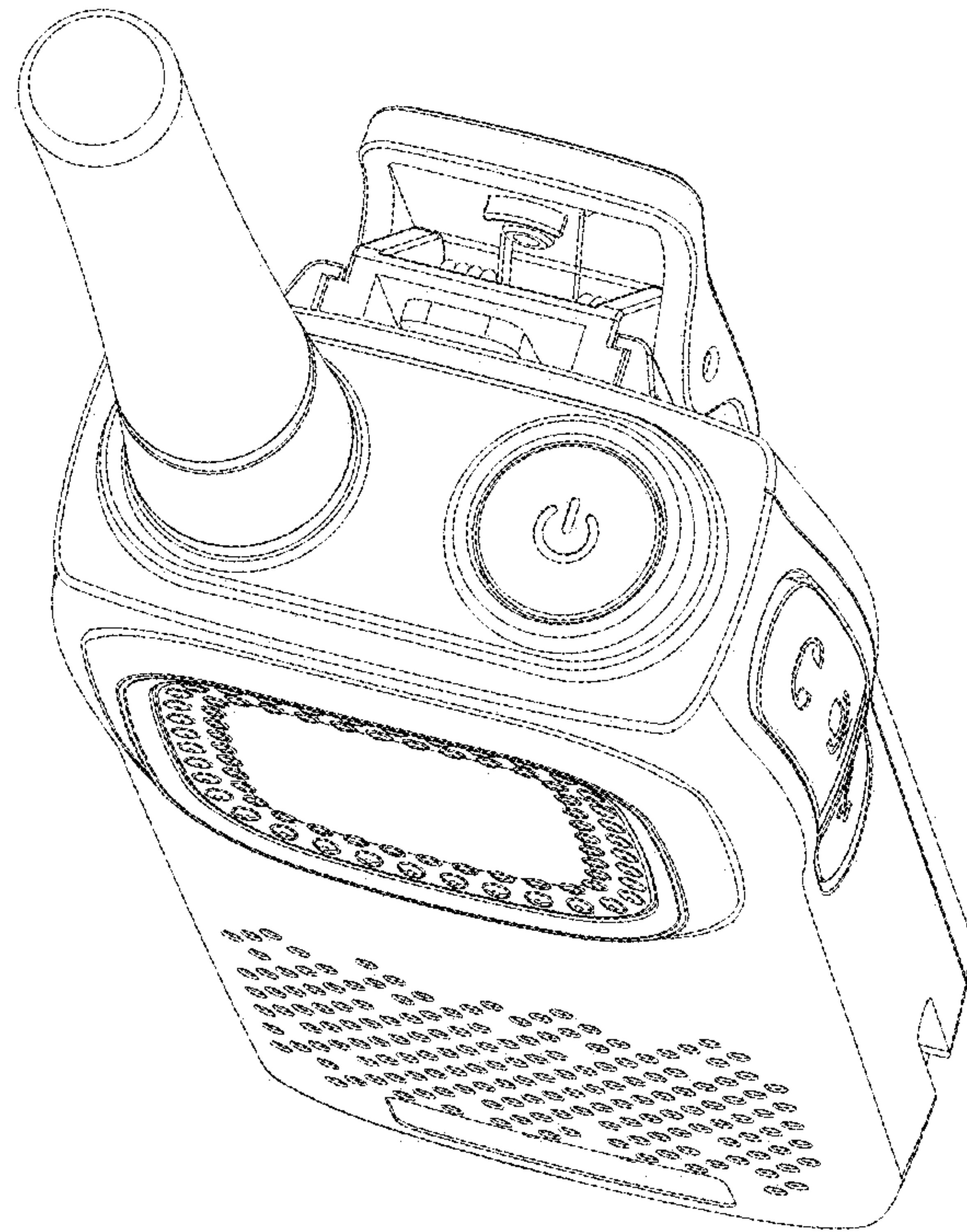


Fig. 11

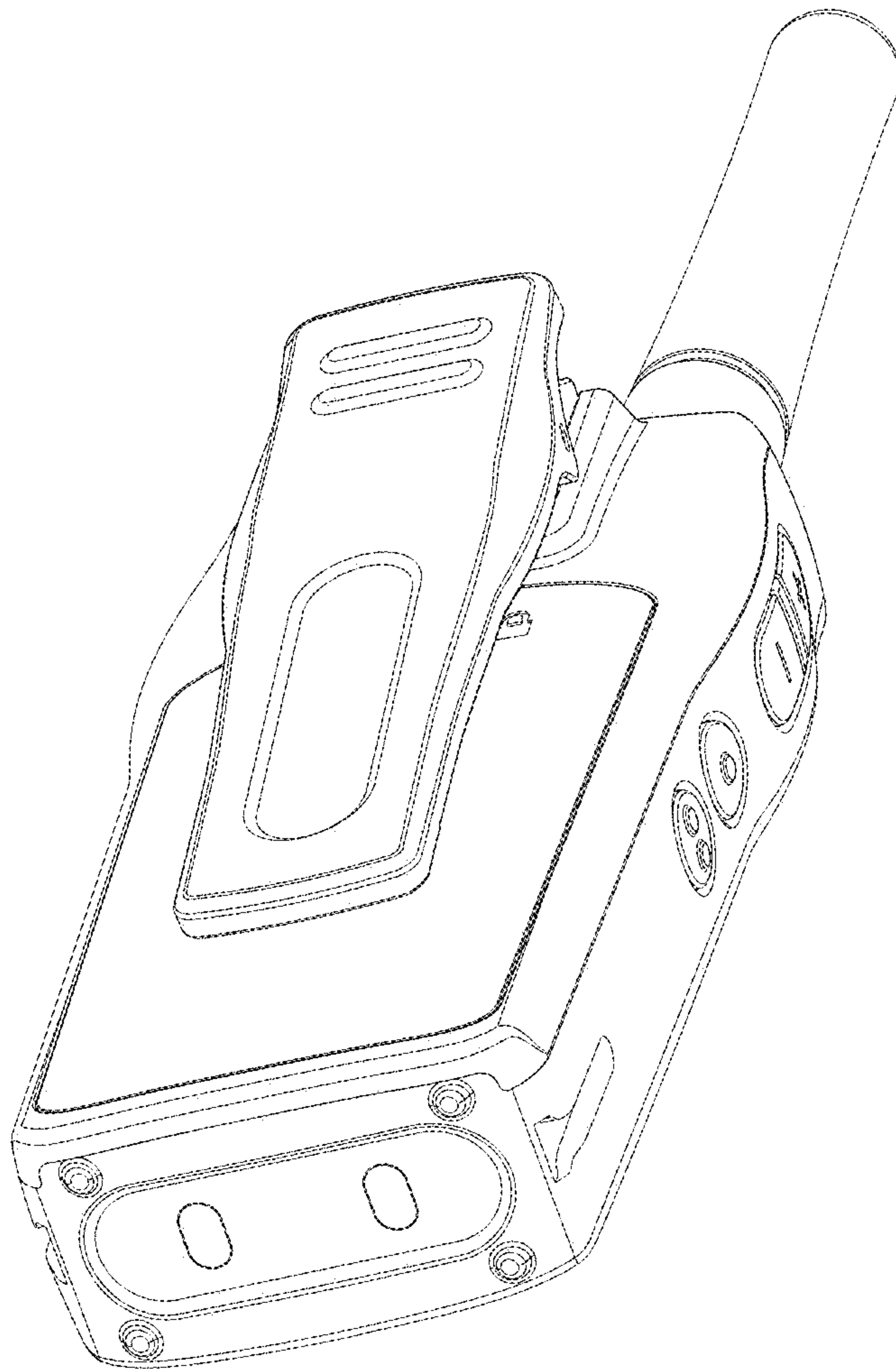


Fig. 12