



US00D934830S

(12) **United States Design Patent** (10) **Patent No.:** **US D934,830 S**
Liu (45) **Date of Patent:** **** Nov. 2, 2021**

(54) **HANDHELD TRANSCEIVER**

(71) Applicant: **CHONGQING FICUU TECHNOLOGY CO., LTD.**,
Chongqing (CN)

(72) Inventor: **Keyang Liu**, Chongqing (CN)

(73) Assignee: **CHONGQING FICUU TECHNOLOGY CO., LTD.**,
Chongqing (CN)

(**) Term: **15 Years**

(21) Appl. No.: **29/682,643**

(22) Filed: **Mar. 6, 2019**

(30) **Foreign Application Priority Data**

Nov. 5, 2018 (CN) 201830623046.8

(51) **LOC (13) Cl.** **14-03**

(52) **U.S. Cl.**
USPC **D14/137**

(58) **Field of Classification Search**
USPC D14/137, 138 AA, 147, 148, 218, 155,
D14/159, 142, 225, 226, 191, 203.3,
(Continued)

(56) **References Cited**

U.S. PATENT DOCUMENTS

D295,404 S * 4/1988 Tokiyama D14/137
D389,827 S * 1/1998 Oross D14/137
(Continued)

FOREIGN PATENT DOCUMENTS

CN 305286413 * 8/2019
CN 305492242 * 12/2019
CN 305581199 * 1/2020

OTHER PUBLICATIONS

2018G100 two way radio External Photos GOCOM Technology,
available Nov. 22, 2018, [online], [site visited Jul. 6, 2021]. Internet
URL:https://fccid.io/2ARRE-2018G100/External-Photos/External-
photos-4082082 (Year: 2018).*

(Continued)

Primary Examiner — Jeffrey D Asch

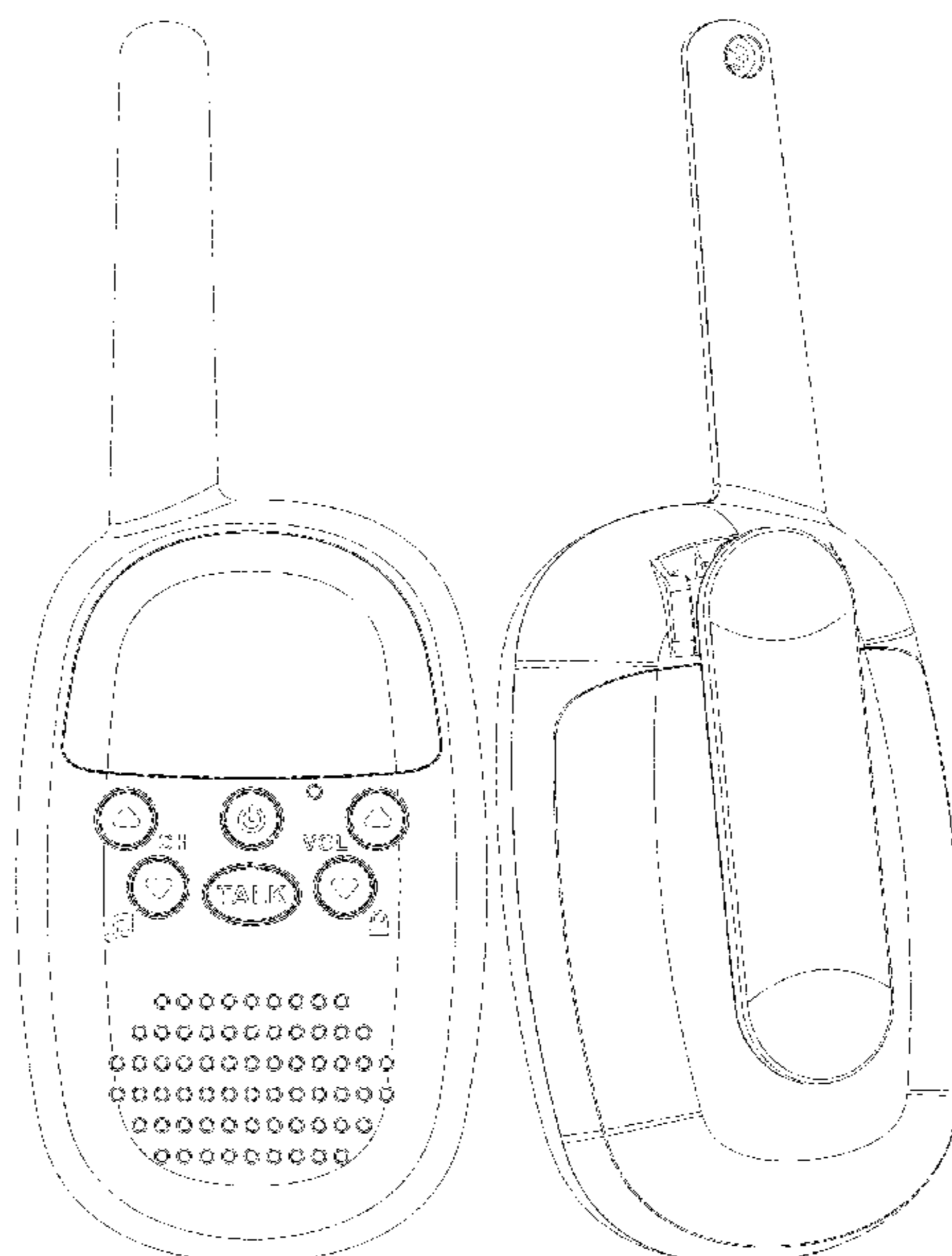
(57) **CLAIM**

The ornamental design for a handheld transceiver, as shown
and described.

DESCRIPTION

FIG. 1 is a front elevational view of a handheld transceiver
showing my new design;
FIG. 2 is a rear elevational view thereof;
FIG. 3 is a left side view thereof;
FIG. 4 is a right side view thereof;
FIG. 5 is a top plan view thereof;
FIG. 6 is a bottom plan view thereof;
FIG. 7 is a front and left side perspective view thereof;
FIG. 8 is a rear and right side perspective view thereof;
FIG. 9 is a bottom, front and right side perspective view
thereof;
FIG. 10 is a bottom, rear and right side perspective view
thereof;
FIG. 11 is a top, rear and right side perspective view thereof;
and,
FIG. 12 is a top, front and left side perspective view thereof.
The broken lines and the area where the broken lines occur,
within the innermost of the two closely spaced, solid line,
concentric circles at the top rear of the antenna, show
portions of the handheld transceiver that form no part of the
claimed design.

1 Claim, 12 Drawing Sheets



(58) **Field of Classification Search**

USPC D14/203.7, 203.1, 203.5, 188, 192,
 D14/194–198, 214, 219, 221, 172;
 D21/517, 566, 324, 329, 331; D10/104.1,
 D10/104.2, 106.1, 65, 78; D13/168;
 D30/199
 CPC H04B 1/3833; H04B 1/3827; H04B
 2001/3861; H04M 1/233; G08B 21/0202
 See application file for complete search history.

(56) **References Cited**

U.S. PATENT DOCUMENTS

D433,396 S * 11/2000 Wong D14/137
 D451,484 S * 12/2001 Page D14/137
 D467,565 S * 12/2002 Pesqueira D14/137
 D467,566 S * 12/2002 Mirabelli D14/137
 D467,888 S * 12/2002 Mirabelli D14/137
 D467,889 S * 12/2002 Cebe D14/137
 D479,710 S * 9/2003 Luminosu D14/137
 D480,374 S * 10/2003 Toor D14/138 AA
 D489,704 S * 5/2004 Kim D14/188
 D496,639 S * 9/2004 Deubler, Jr. D10/104.1
 D497,356 S * 10/2004 Jerome D14/188
 D497,898 S * 11/2004 Hirabayashi D14/191
 D500,486 S * 1/2005 Zeitman D14/188
 D509,812 S * 9/2005 Mack D10/104.1
 D540,764 S * 4/2007 Kaner D14/137
 D558,703 S * 1/2008 Kwong D14/137
 D604,779 S * 11/2009 Chan D14/192
 8,135,149 B2 * 3/2012 Yoshida H04R 3/007
 381/189
 D668,239 S * 10/2012 Marsh D14/159
 D677,230 S * 3/2013 Ooi D14/137

D721,050 S * 1/2015 Kaner D14/137
 D738,357 S * 9/2015 Khairudin D14/226
 D831,601 S * 10/2018 Ooi D14/137
 D842,830 S * 3/2019 Nishida D14/137
 D878,318 S * 3/2020 Sandberg D14/159
 D878,320 S * 3/2020 Sandberg D14/159
 D880,442 S * 4/2020 Wang D14/137
 10,651,880 B1 * 5/2020 Lee H04B 1/3888
 D891,385 S * 7/2020 Zhang D14/137
 D893,444 S * 8/2020 Sandberg D14/159
 D914,628 S * 3/2021 Wang D14/137
 D914,629 S * 3/2021 Wang D14/137
 D917,411 S * 4/2021 Xiao D14/137
 D925,485 S * 7/2021 Wang D14/137
 2005/0190041 A1 * 9/2005 Sahai B60R 25/1003
 340/5.72
 2010/0291883 A1 * 11/2010 Lim H04B 1/3833
 455/90.2
 2013/0287213 A1 * 10/2013 Sekiyama H04M 1/18
 381/55

OTHER PUBLICATIONS

Walkie Talkies for Kids, LITTLELOGIQ Two Way Radios . . . , first available Aug. 19, 2020, [online], [site visited Jul. 17, 2021]. Internet URL: https://www.amazon.com/LITTLELOGIQ-Walkie-Talkies-Channels-Anti-Fall/dp/B08G88VBQT/ref=sr_1_109?dchild=1&keywords=walkie+talkie&qid=1620096039&sr=8-109 (Year: 2020).*
https://www.amazon.com/Best-Walkie-Talkies-Kids-Flashlight/dp/B08HMQPMVJ/ref=sr_1_6?dchild=1&keywords=best-walkie-talkies-kids-flashlight%2Bwlvn&qid=1620309797&sr=8-6&th=1 (Year: 2020).*

* cited by examiner

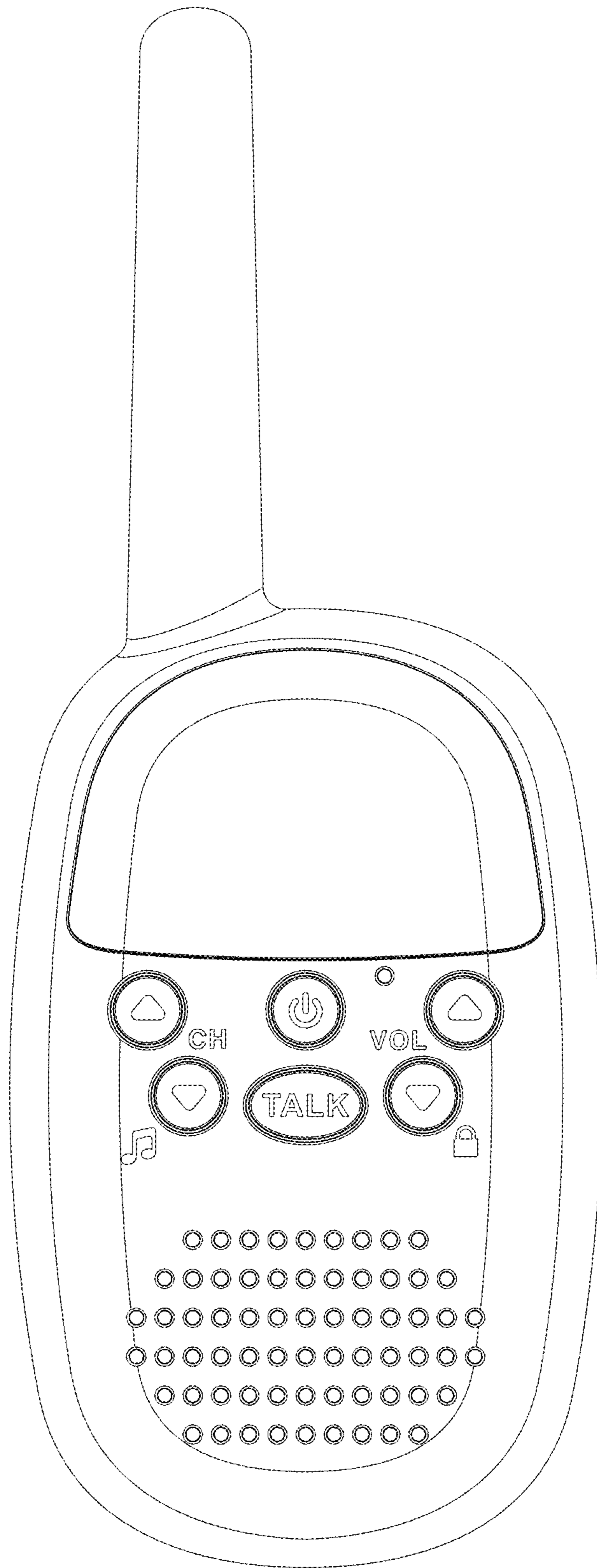


FIG. 1

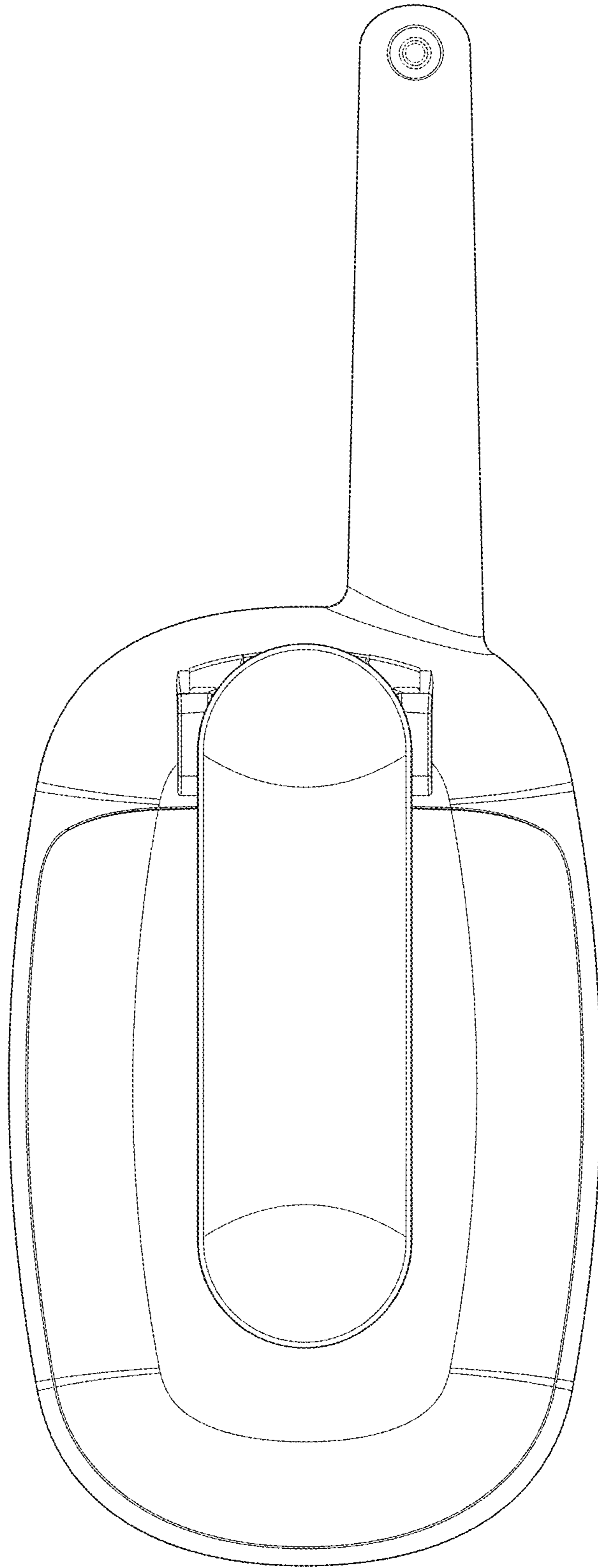


FIG. 2

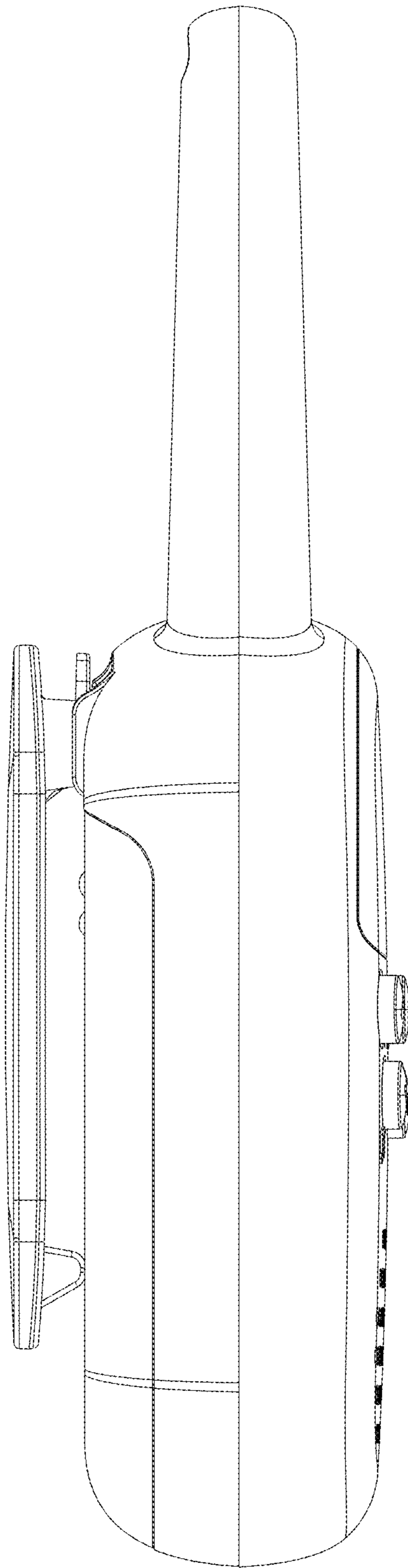


FIG. 3

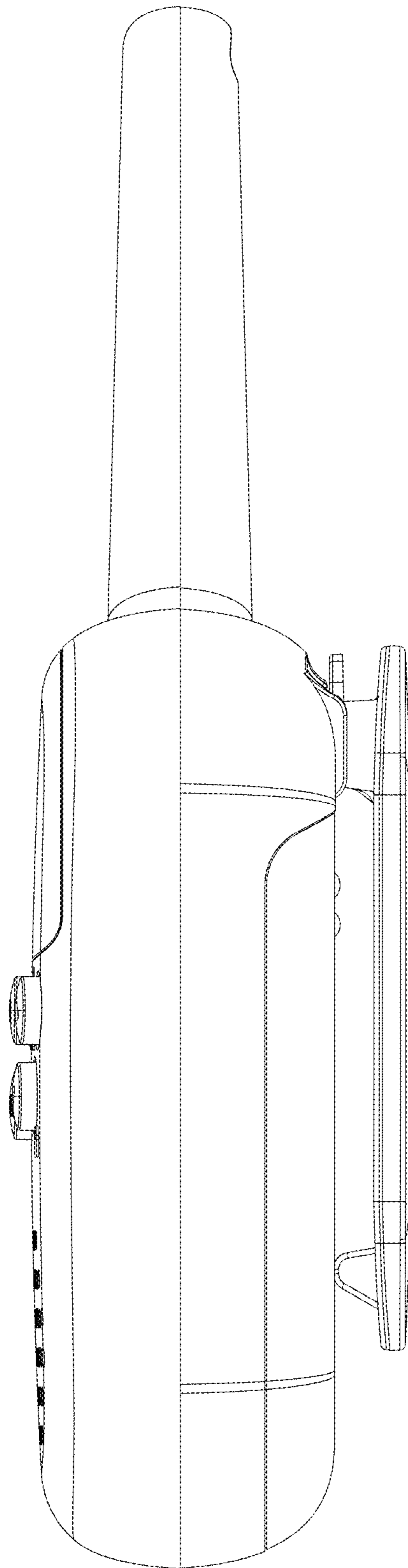


FIG. 4

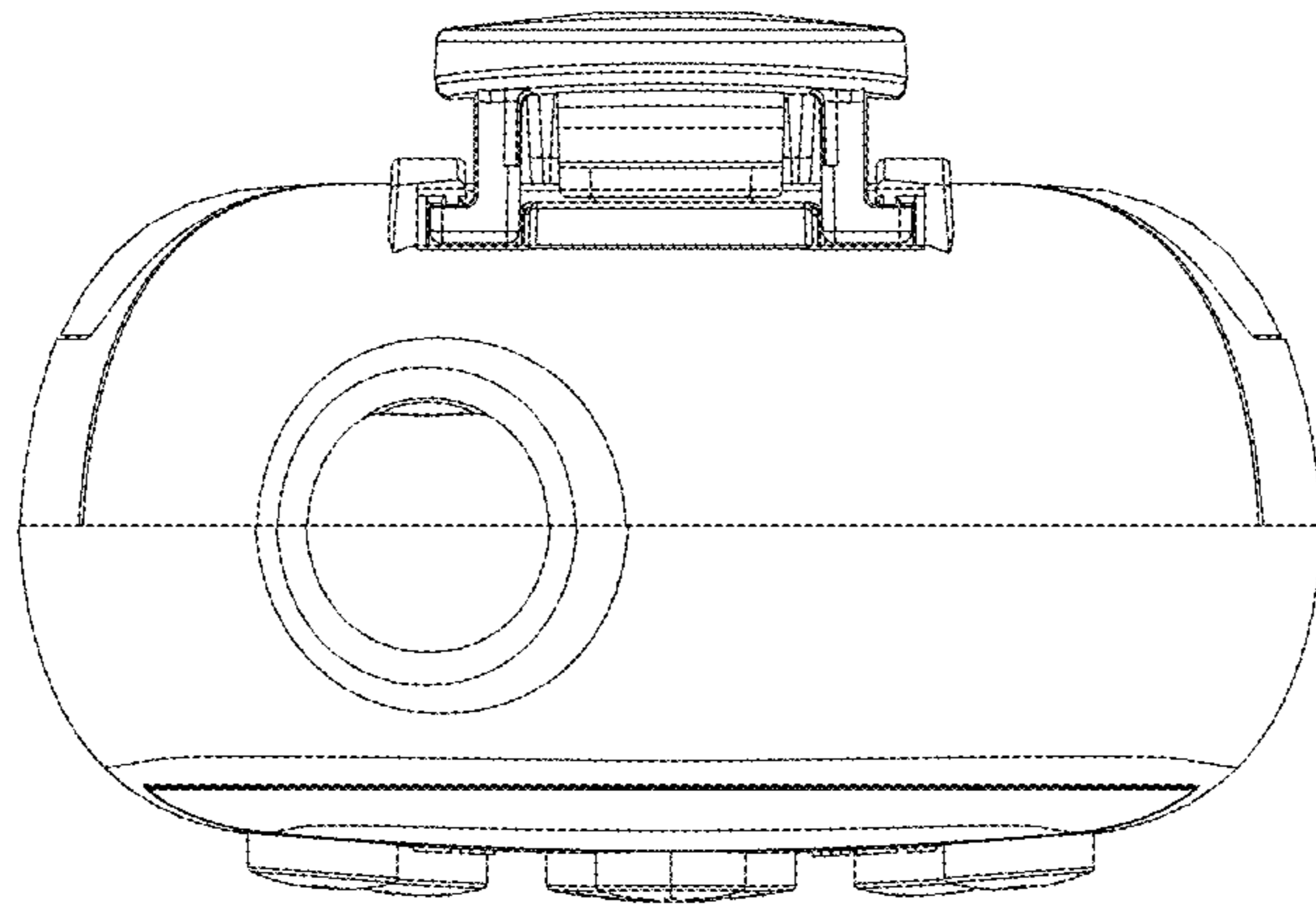


FIG. 5

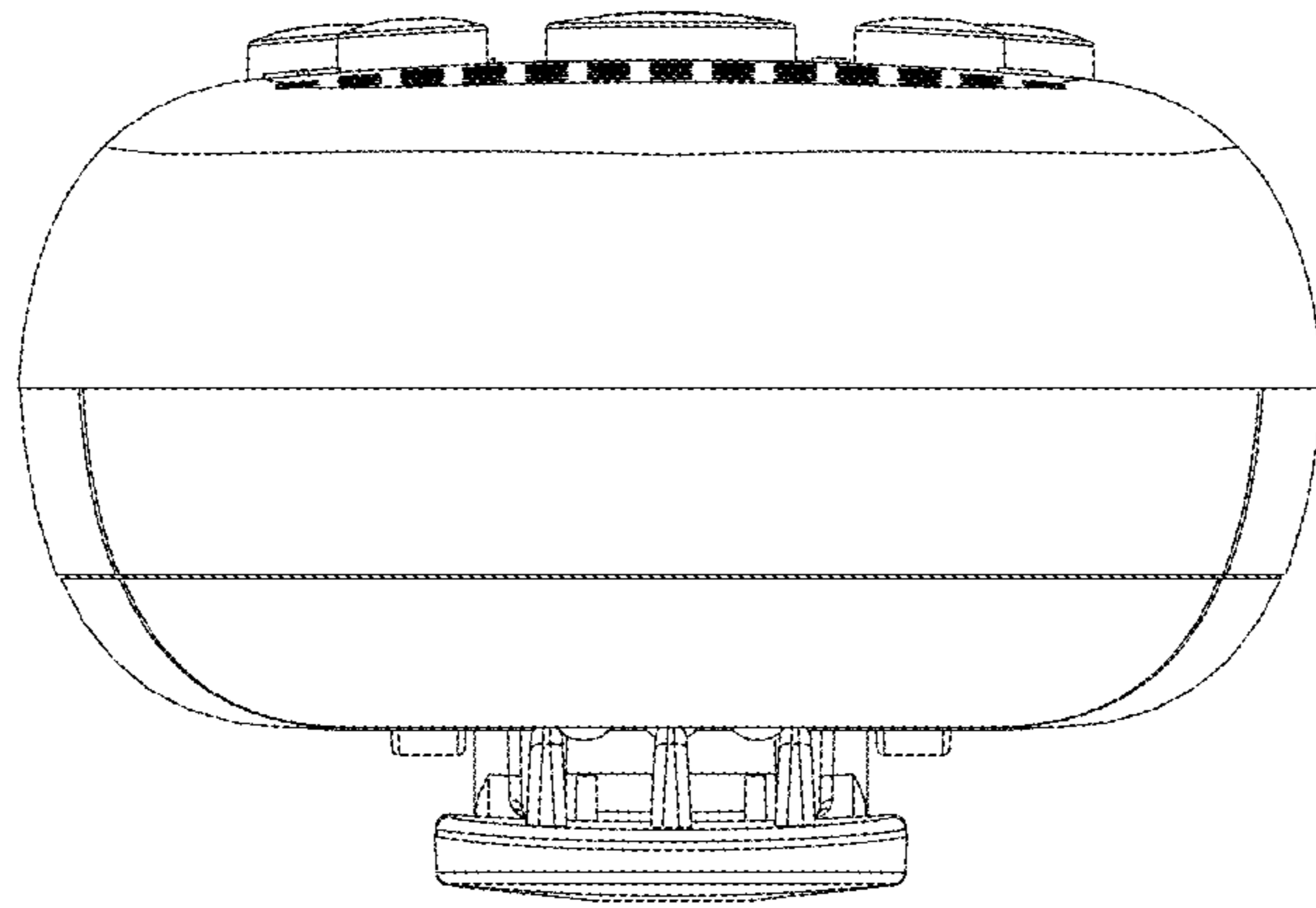


FIG. 6

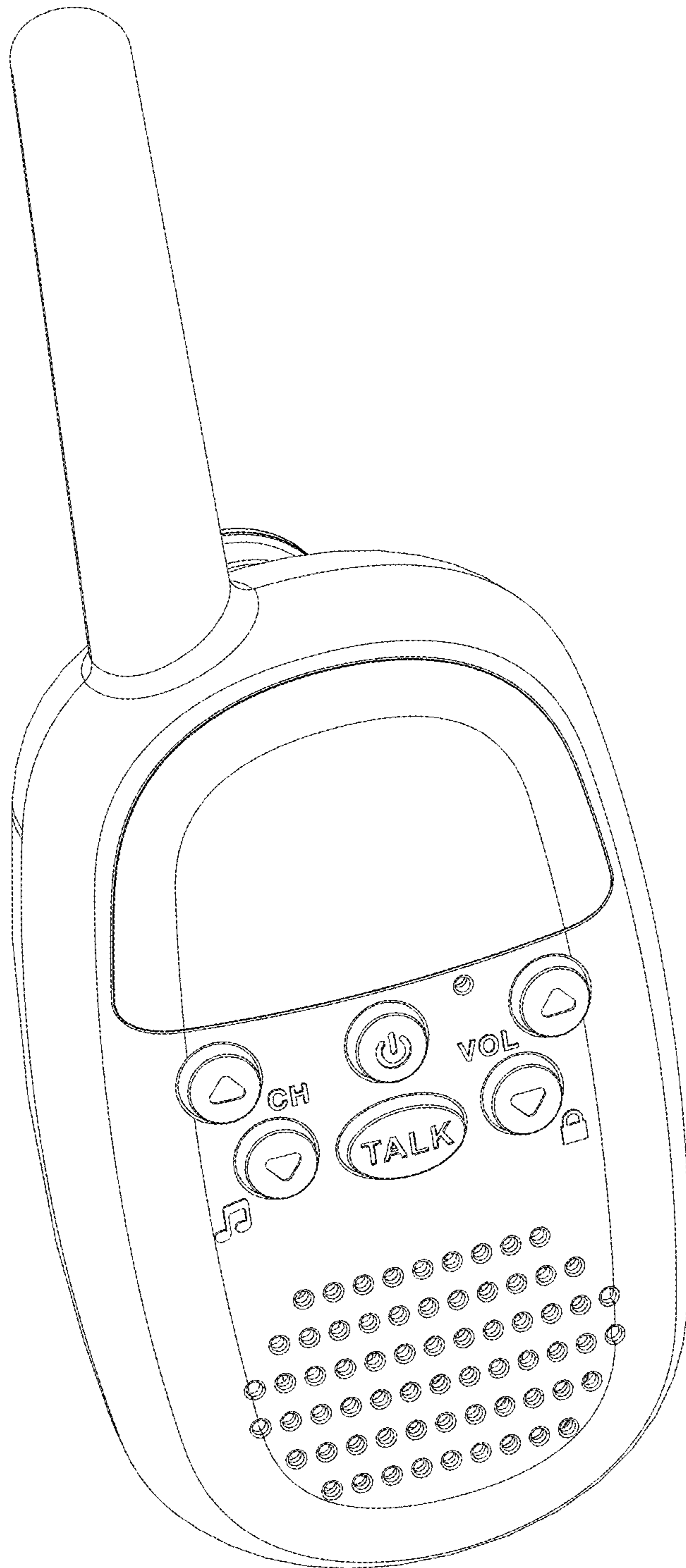


FIG. 7

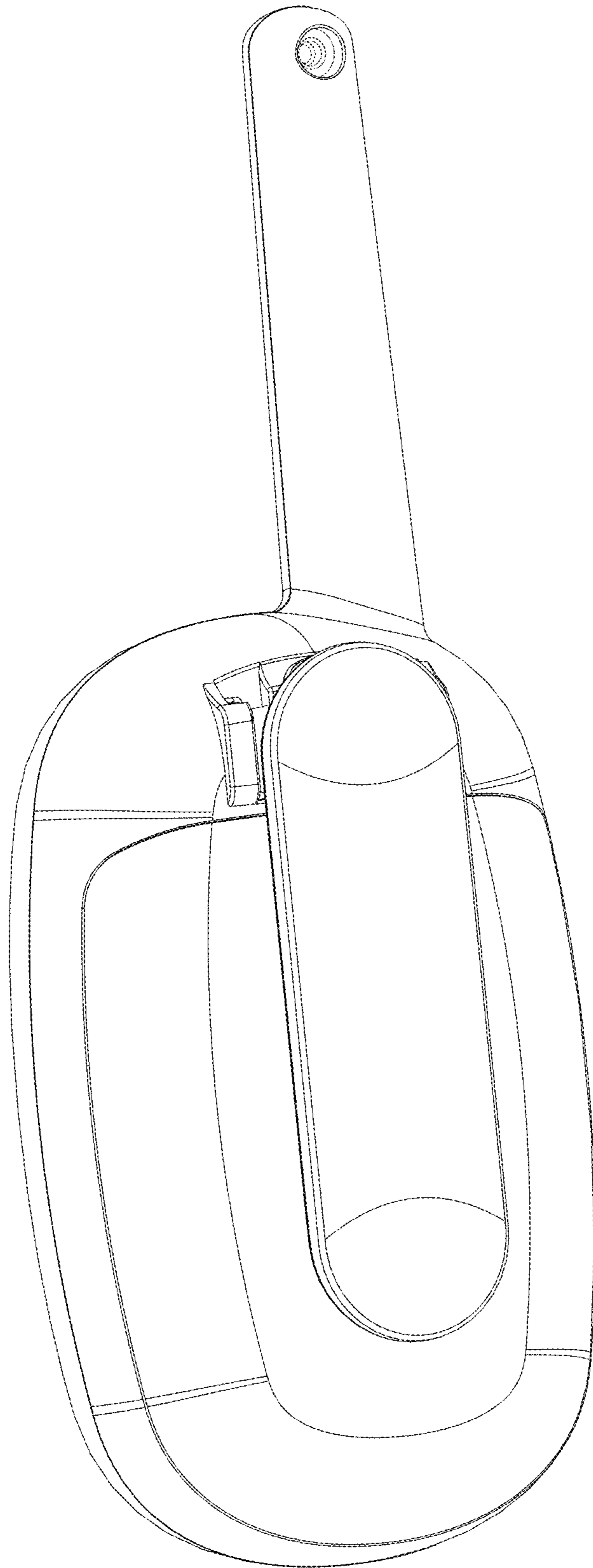


FIG. 8

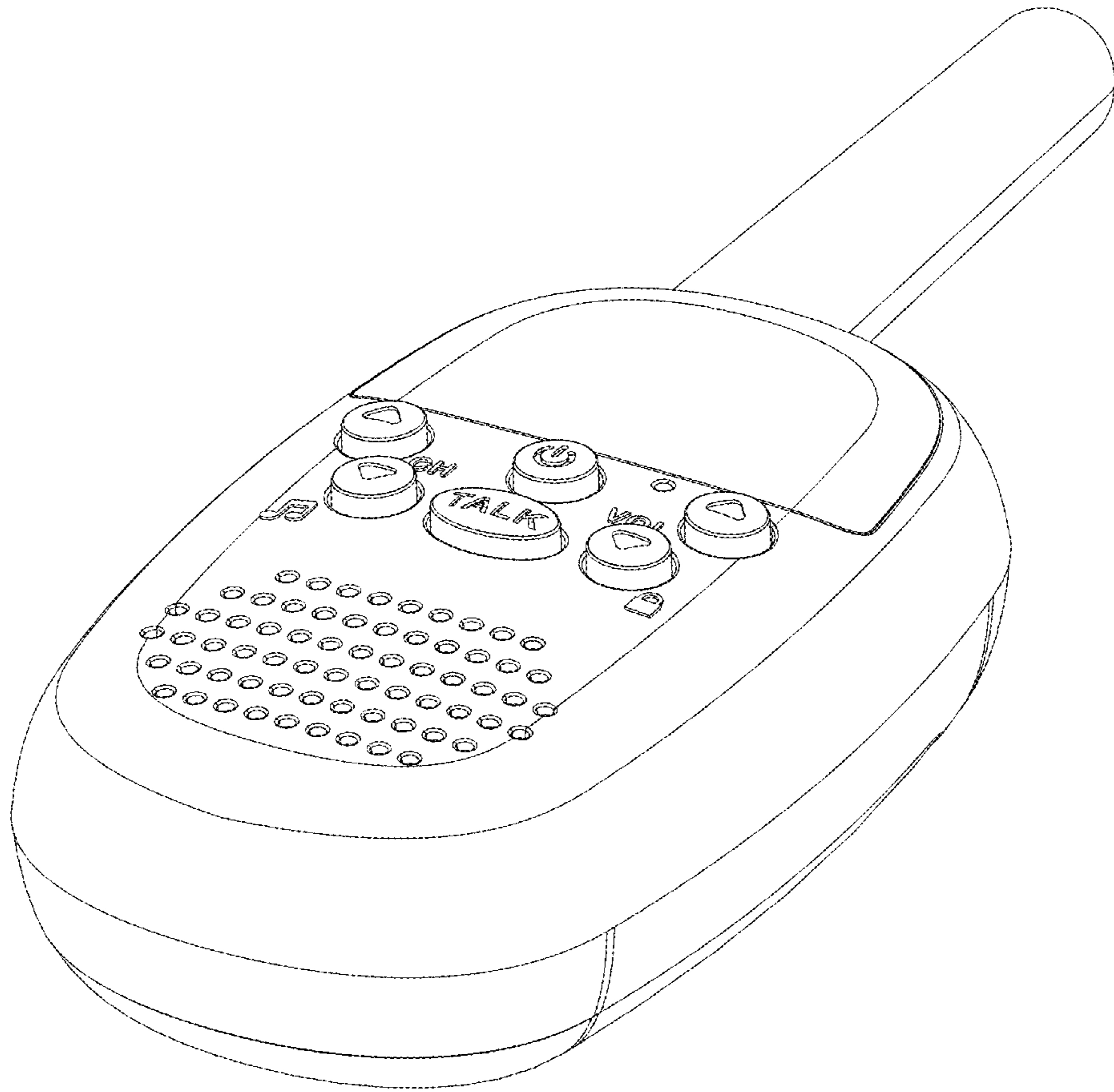


FIG. 9

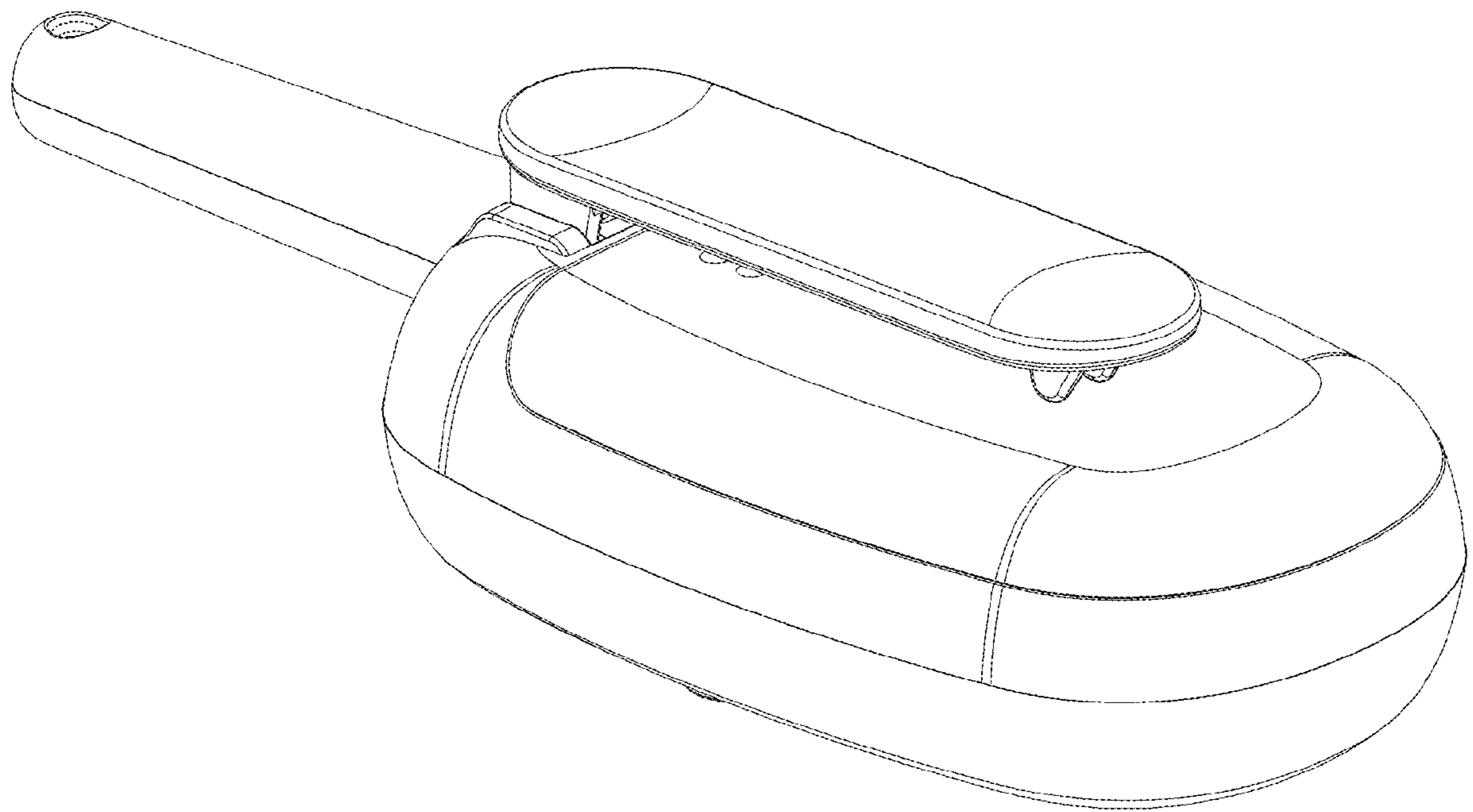


FIG. 10

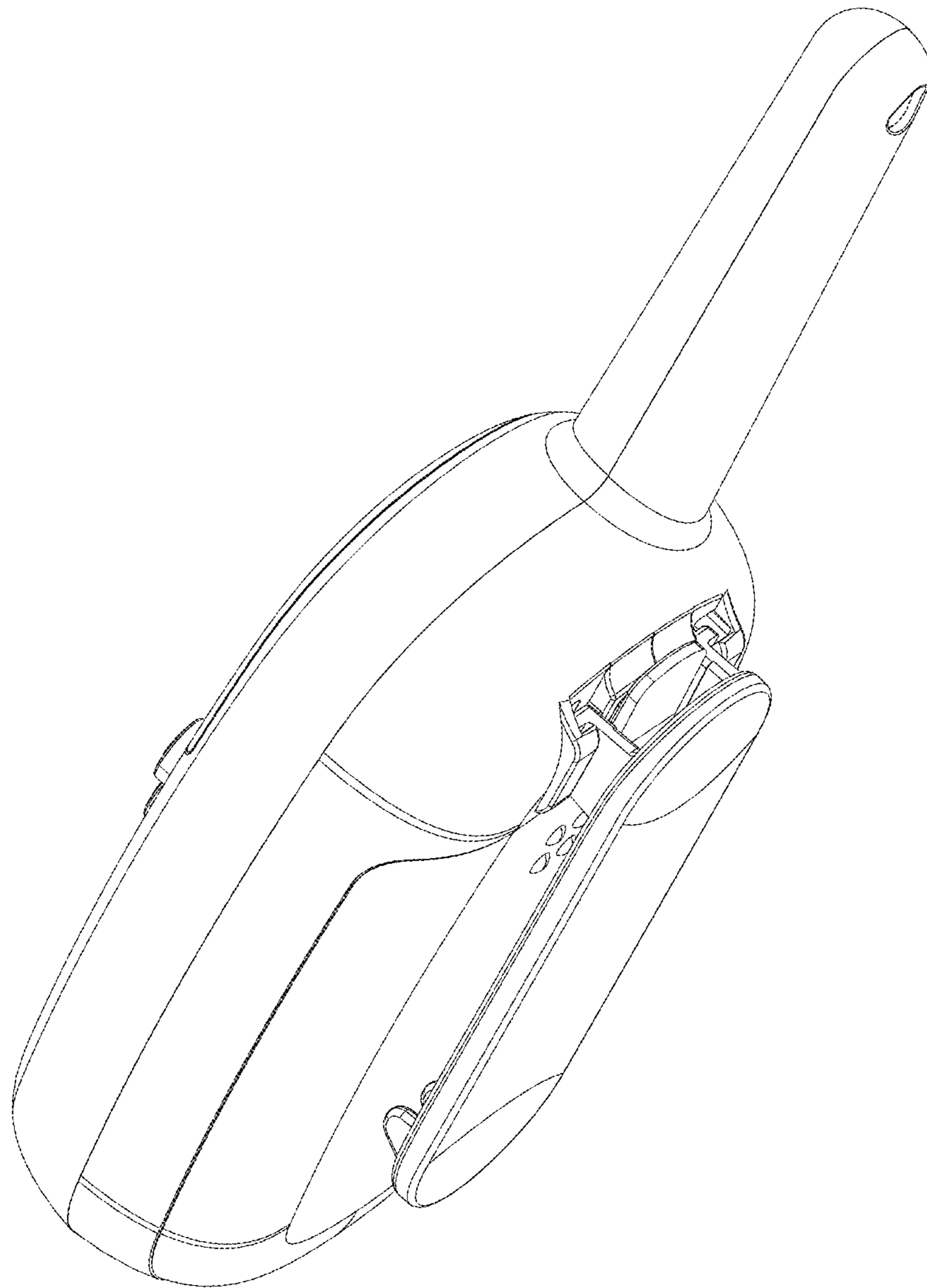


FIG. 11

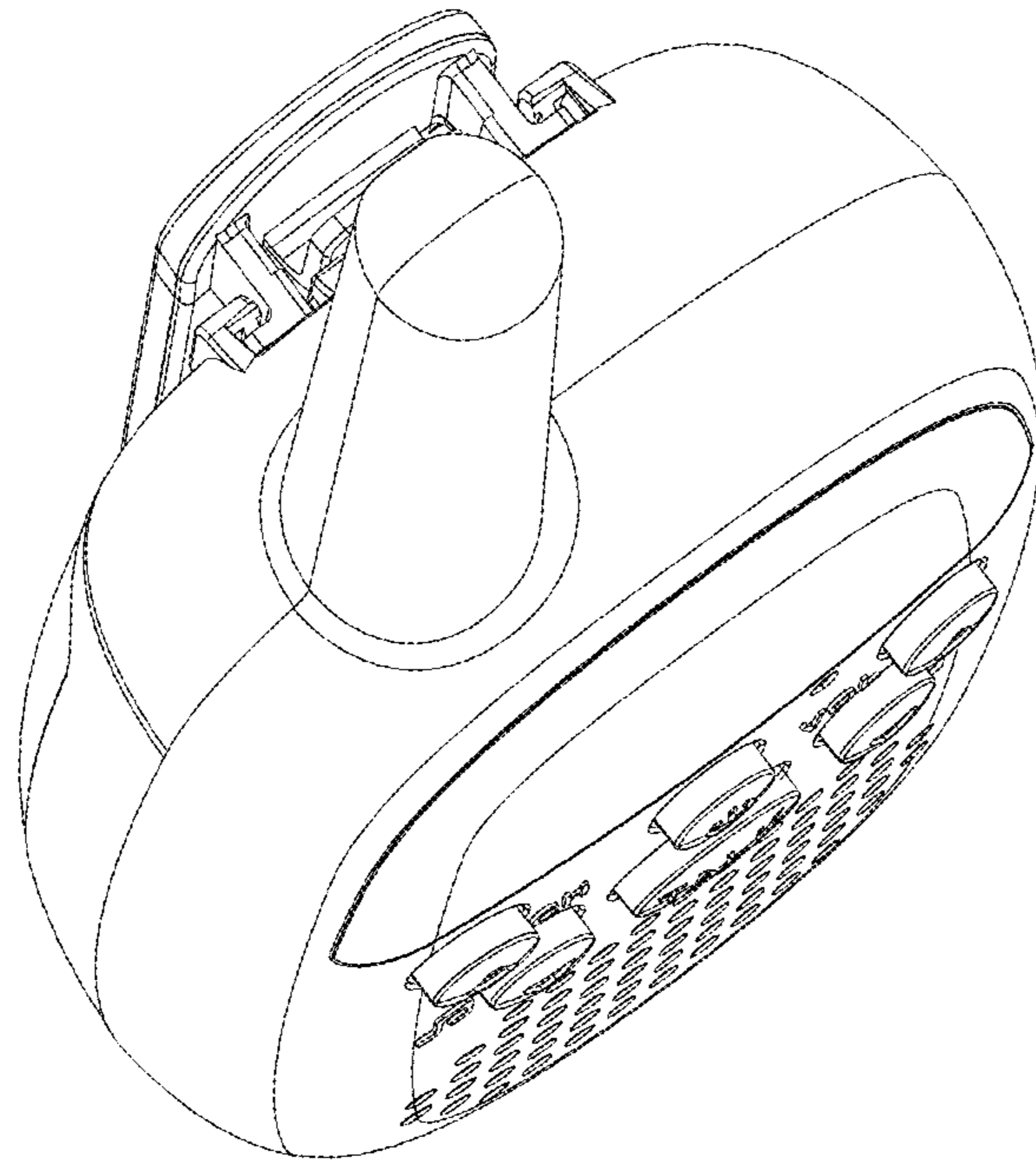


FIG. 12