



US00D934828S

(12) **United States Design Patent** (10) **Patent No.:** **US D934,828 S**  
**Zhao** (45) **Date of Patent:** **\*\* Nov. 2, 2021**

(54) **TOUCH SCREEN**

(71) Applicant: **YEALINK (XIAMEN) NETWORK TECHNOLOGY CO., LTD.**, Fujian (CN)

(72) Inventor: **Chengfei Zhao**, Fujian (CN)

(73) Assignee: **YEALINK (XIAMEN) NETWORK TECHNOLOGY CO., LTD.**, Xiamen (CN)

(\*\*) Term: **15 Years**

(21) Appl. No.: **29/730,720**

(22) Filed: **Apr. 7, 2020**

(51) **LOC (13) Cl.** ..... **14-03**

(52) **U.S. Cl.**  
USPC ..... **D14/129**

(58) **Field of Classification Search**  
USPC ..... D14/388-389, 371, 374, 420, 426, D14/129-130, 315-318, 341-347, 496, D14/126, 137, 147, 240, 336, 356, 400, D14/403, 412, 138 R, 138 AA, 138 C, D14/138 G, 117.1, 124-125; D21/324, D21/329, 330-333, 353, 383, 409, D21/575-579; D24/186; D10/104.4, 50, D10/65, 74, 61; D6/308, 310-311, 643; D20/10, 39, 40-42; D25/140-141; D19/75, 91, 20-24, 113-114, 26, 59, 60  
CPC ..... G06F 1/16; G06F 1/1632; G06F 1/1616; G06F 1/1626; G06F 1/1658; G06F 1/1688; G06F 1/1613; G06F 2200/1633; G06F 3/0488; G06F 3/04886; G06F 3/044; G06F 3/0412; G06F 3/0416; G06F 3/01; G06F 3/016; G06F 1/1664; G06F 1/1637; H01M 10/44; F16M 11/10; F16M 11/02; A45C 2011/002; A45C 2011/003; A63F 2300/00; A63H 2200/00; A47G 1/141; A47G 1/0605; A47G 1/142; H04B 1/3888; H04N 5/64; H04N 7/14; H04N 5/44; H04M 1/185; H05K 7/1465; B41J 5/00; B41J 5/10; B41J

(Continued)

(56) **References Cited**

U.S. PATENT DOCUMENTS

D667,399 S \* 9/2012 Koh ..... D14/341  
D678,875 S \* 3/2013 Chen ..... D14/341

(Continued)

OTHER PUBLICATIONS

Yealink CTP18 Collaboration Touch Panel, yealink.com [online], [site visited Jul. 15, 2021], Available from internet URL: https://www.yealink.com/product/video-conferencing-solutions-ctp18 (Year: 2021).\*

(Continued)

*Primary Examiner* — Samantha Q Lawrence

*Assistant Examiner* — Holly M Rodriguez

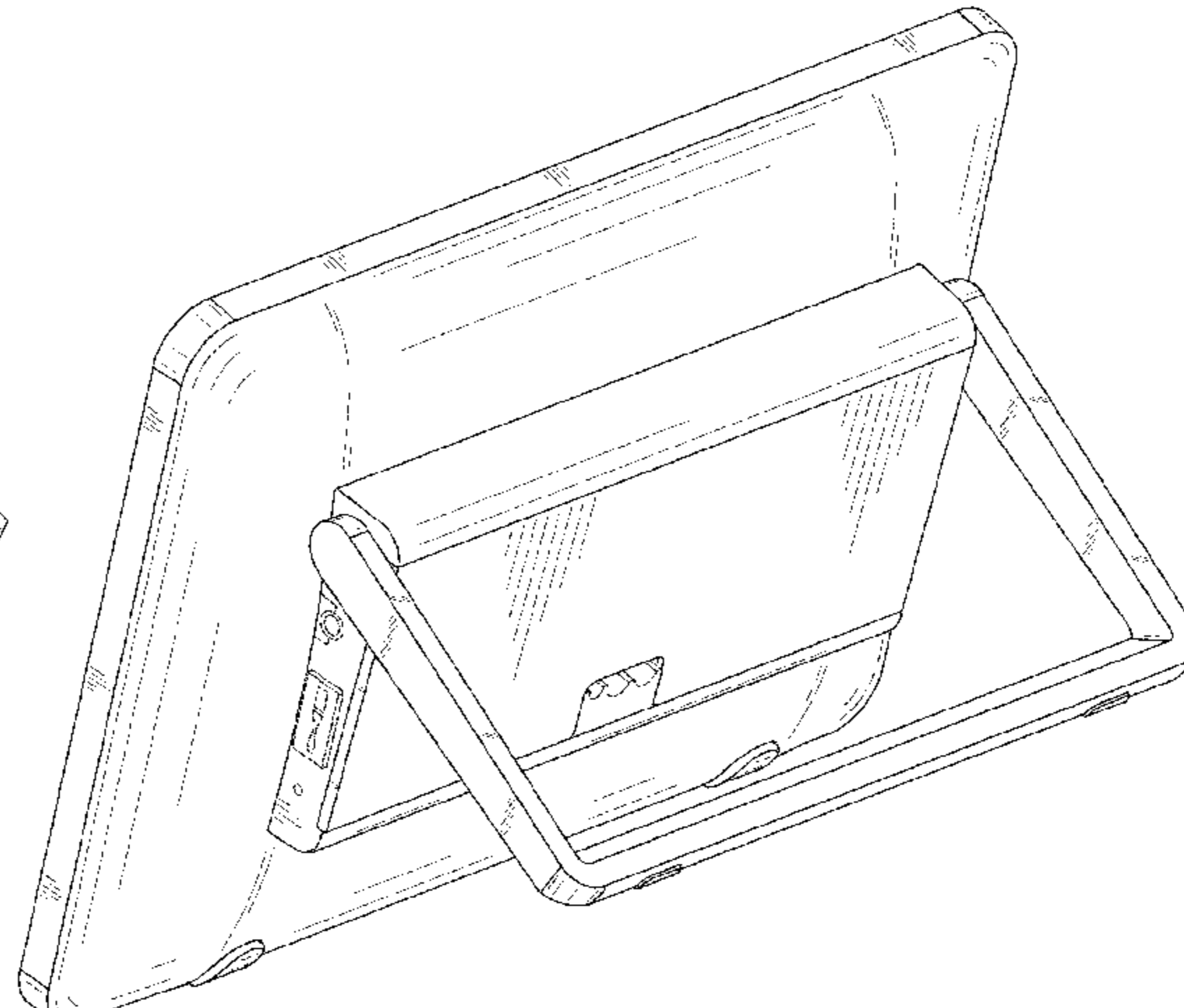
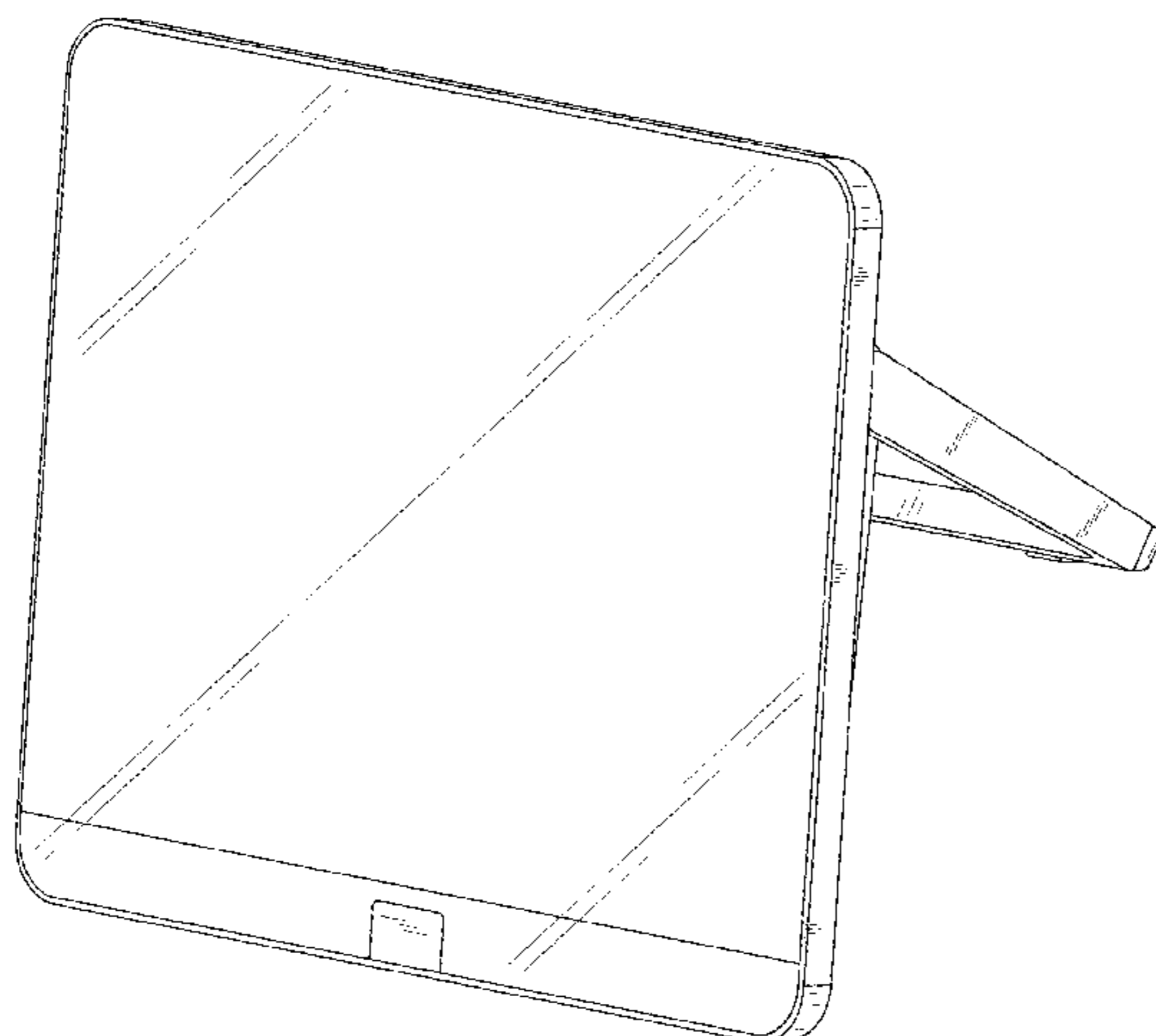
(57) **CLAIM**

The ornamental design for a touch screen, as shown and described.

**DESCRIPTION**

FIG. 1 is a front elevational view of a touch screen showing my new design;  
FIG. 2 is a rear elevational view thereof;  
FIG. 3 is a left side view thereof;  
FIG. 4 is a right side view thereof;  
FIG. 5 is a top plan view thereof;  
FIG. 6 is a bottom plan view thereof;  
FIG. 7 is a top, front and right side perspective view thereof;  
FIG. 8 is a top, rear and right side perspective view thereof;  
and,  
FIG. 9 is a bottom, rear and left side perspective view thereof.

(Continued)



The broken lines in the drawings illustrate portions of the touch screen which form no part of the claimed design.

1 Claim, 8 Drawing Sheets

(58) Field of Classification Search

CPC .... 5/12; B43L 1/00; B43L 1/008; B43L 1/08; B43L 1/04; B43L 5/00; B43L 5/02; G09F 15/00; G09F 15/0006; G09F 15/0068; G09F 15/0012; G09F 2007/1834; G09F 2007/1856

See application file for complete search history.

(56) References Cited

U.S. PATENT DOCUMENTS

D711,371 S	*	8/2014	Chen	.....	D14/341
D714,784 S	*	10/2014	Park	.....	D14/341
D733,126 S	*	6/2015	Sung	.....	D14/341
D740,804 S	*	10/2015	Hovdal	.....	D14/341

D747,308 S	*	1/2016	Myung	.....	D14/341
D794,630 S	*	8/2017	Pendse	.....	D14/341
D824,898 S	*	8/2018	Xu	.....	D14/341
D826,930 S	*	8/2018	Iida	.....	D14/341
D893,201 S	*	8/2020	Jiang	.....	D6/308
D912,049 S	*	3/2021	Zhang	.....	D14/375
D917,465 S	*	4/2021	Zhang	.....	D14/342
D920,325 S	*	5/2021	Andresen	.....	D14/336
2021/0006730 A1	*	1/2021	Solomon	.....	G06F 3/012

OTHER PUBLICATIONS

Cisco Touch 10 Data Sheet, cisco.com, [online], [site visited Jul. 15, 2021], Available from internet URL: [https://www.cisco.com/c/en/us/products/collateral/collaboration-endpoints/telepresence-touch/data\\_sheet\\_c78-646041.html](https://www.cisco.com/c/en/us/products/collateral/collaboration-endpoints/telepresence-touch/data_sheet_c78-646041.html) (Year: 2021).\*

HP Elite Slice for Meeting Rooms G2, first available Apr. 10, 2012, amazon.com, [online], [site visited Jul. 15, 2021], Available from internet URL: [https://www.cdw.com/product/HP-Elite-Slice-for-Meeting-Rooms-G2-for-Skype-Room-Systems-USFF-Core-i5/5027837?cm\\_cat=google&cm\\_ite=5027%E2%80%A6](https://www.cdw.com/product/HP-Elite-Slice-for-Meeting-Rooms-G2-for-Skype-Room-Systems-USFF-Core-i5/5027837?cm_cat=google&cm_ite=5027%E2%80%A6) (Year: 2019).\*

\* cited by examiner

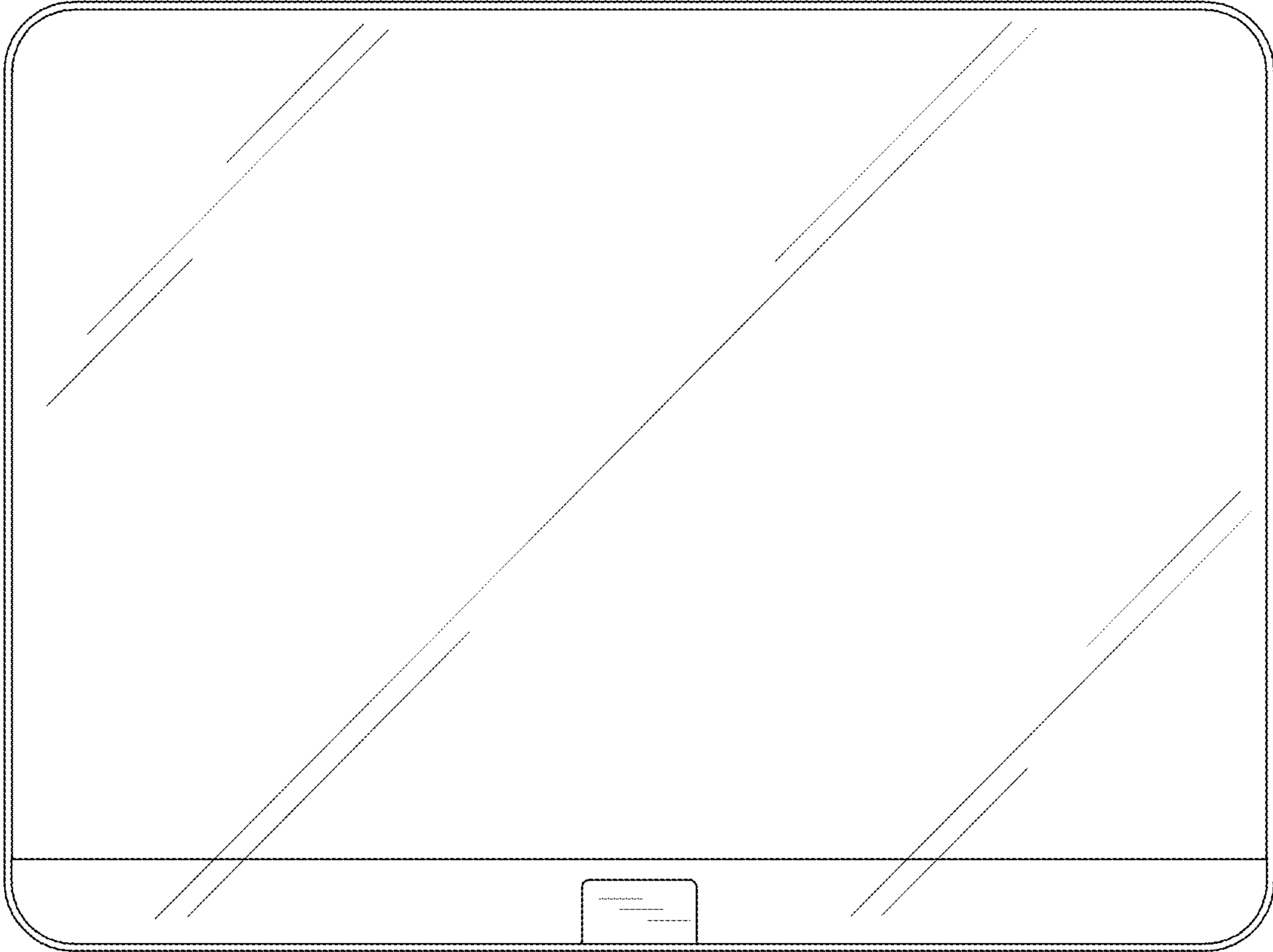


FIG.1

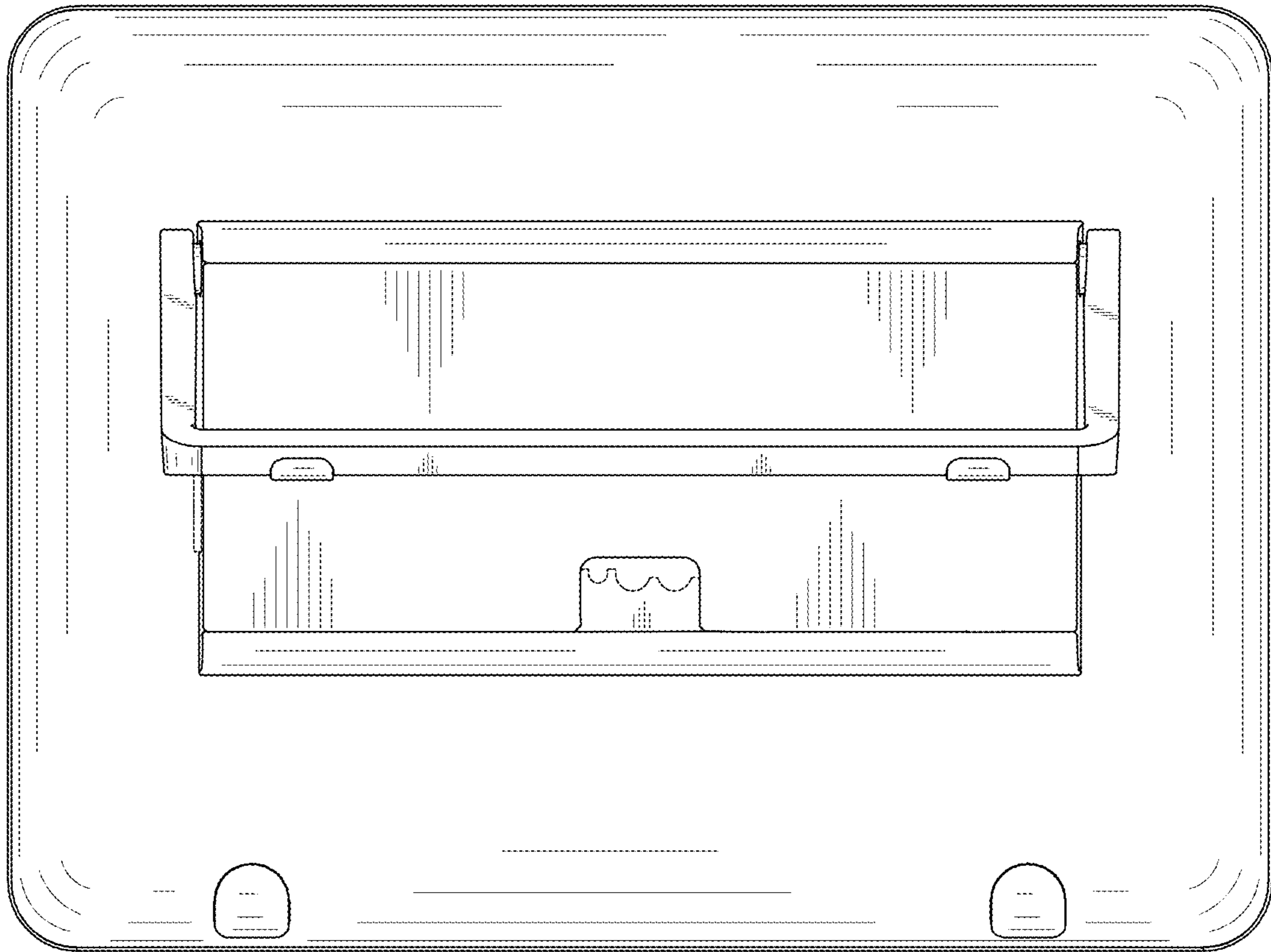


FIG. 2

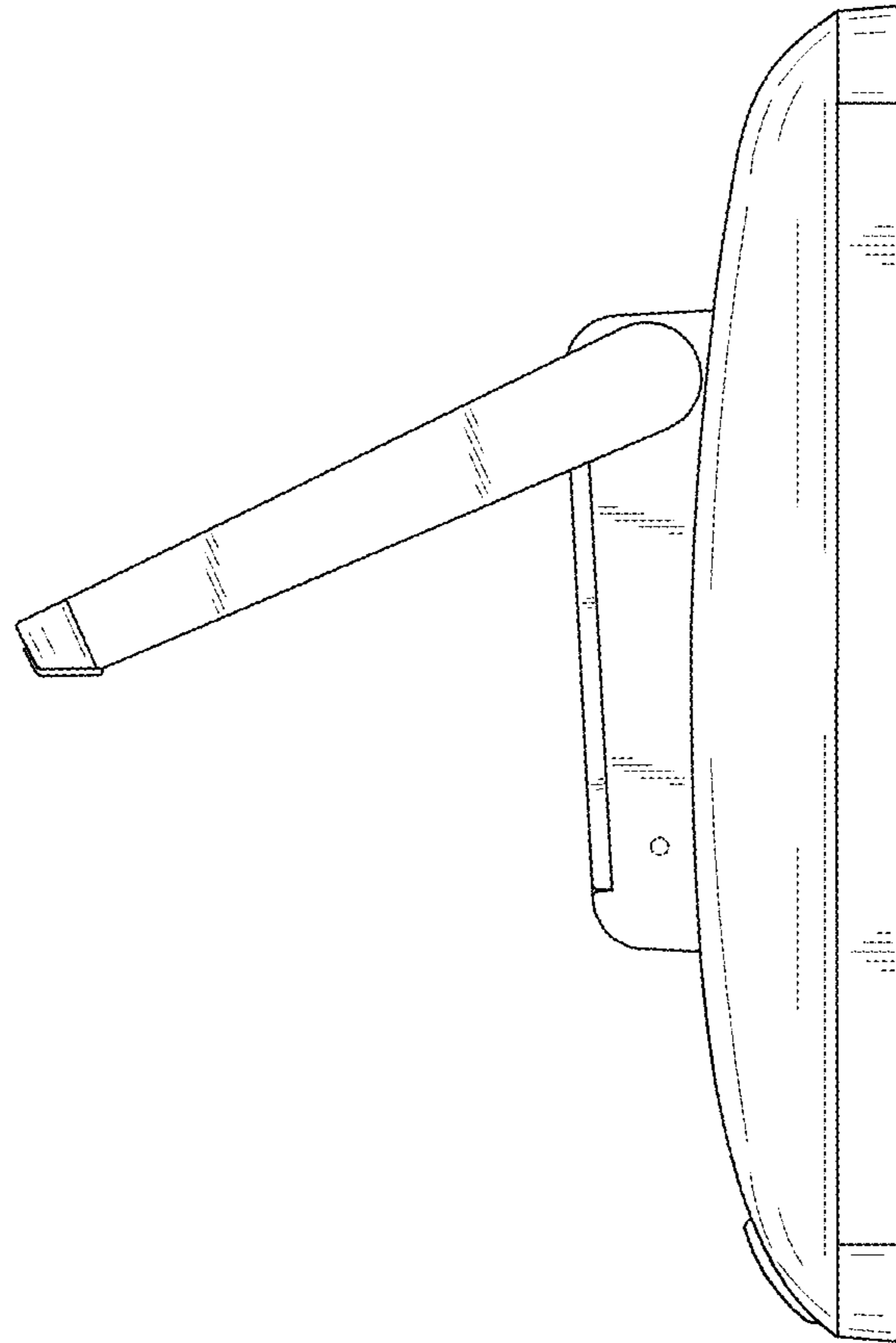


FIG.3

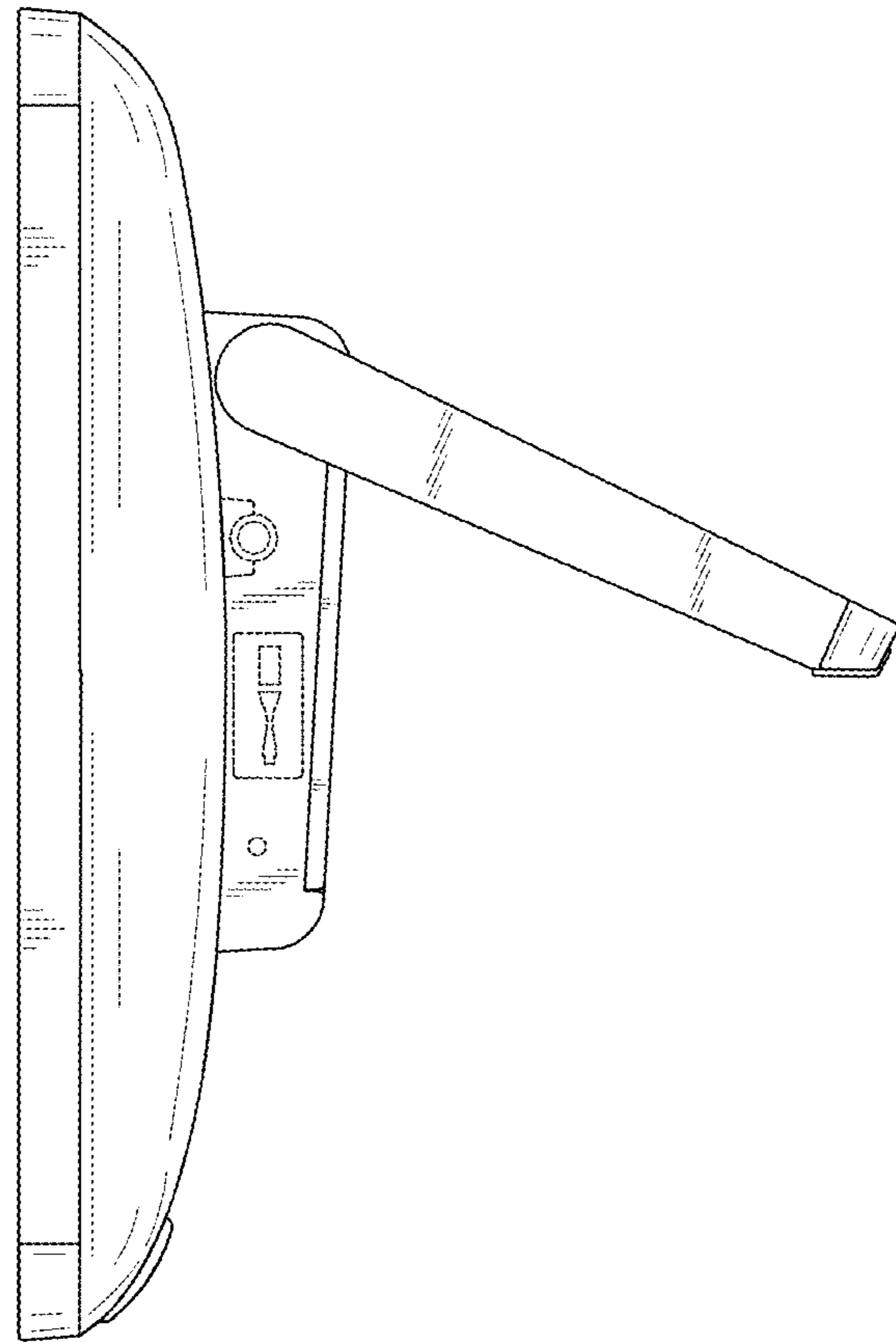


FIG.4

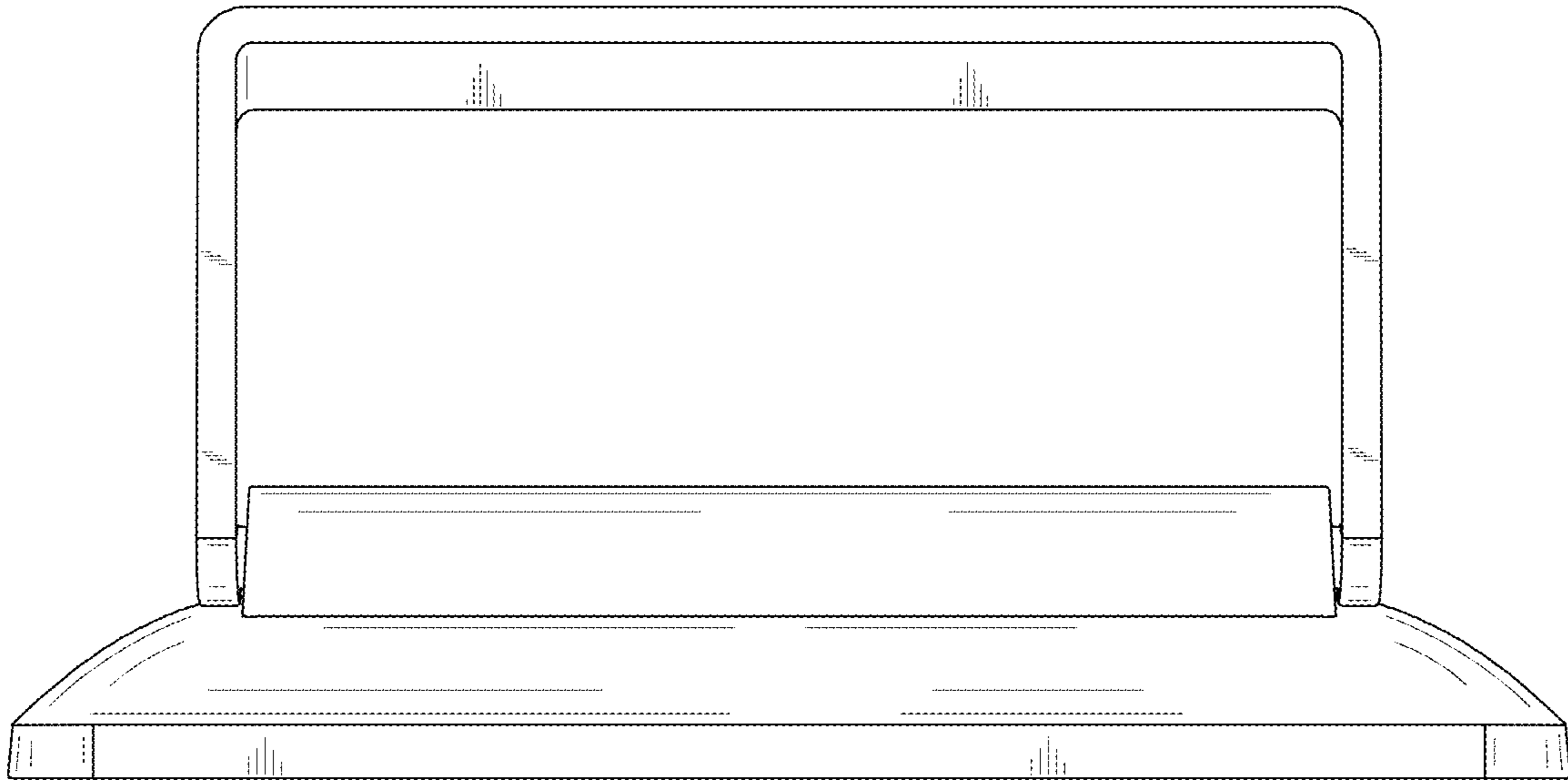


FIG. 5

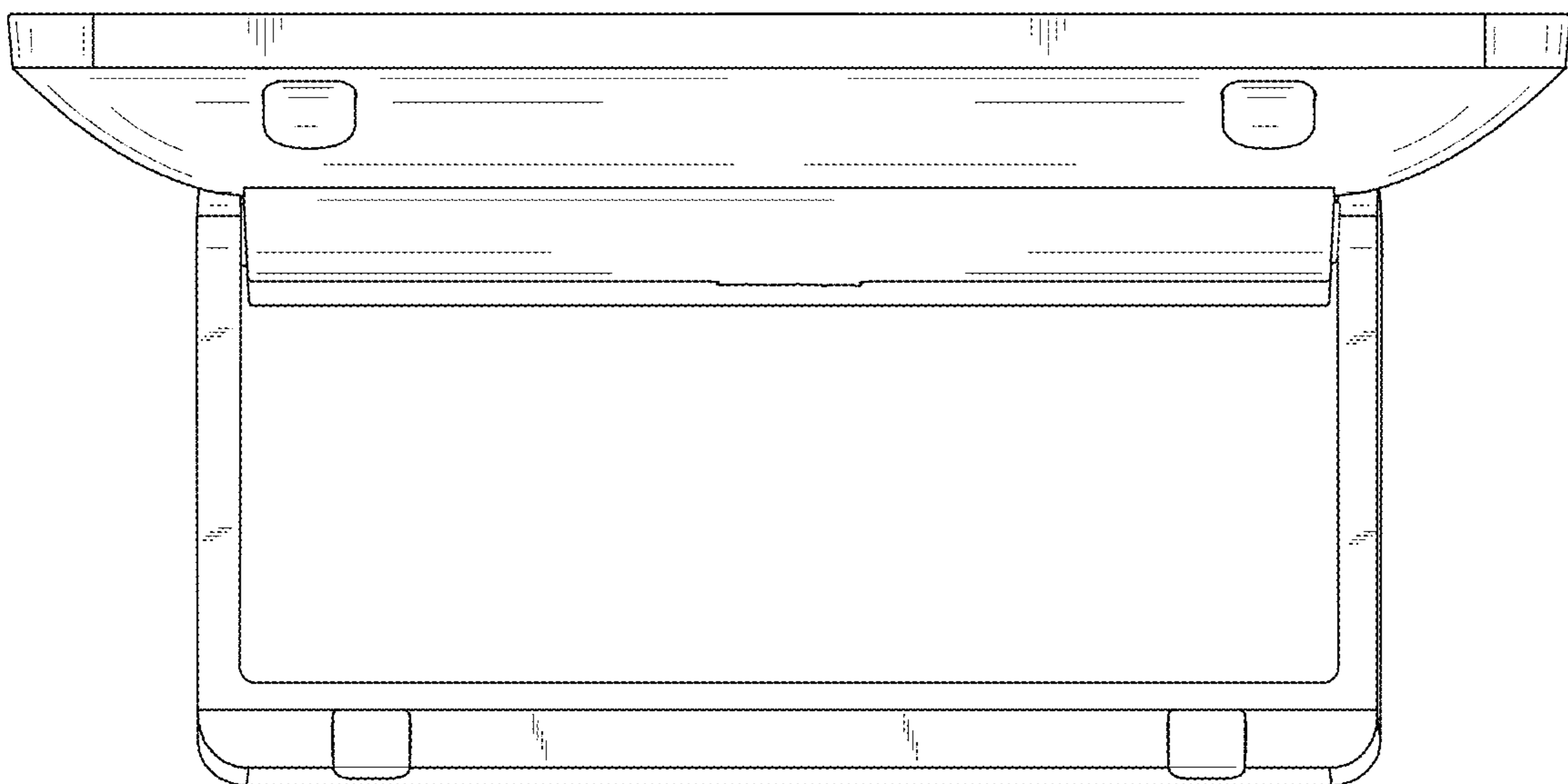


FIG. 6

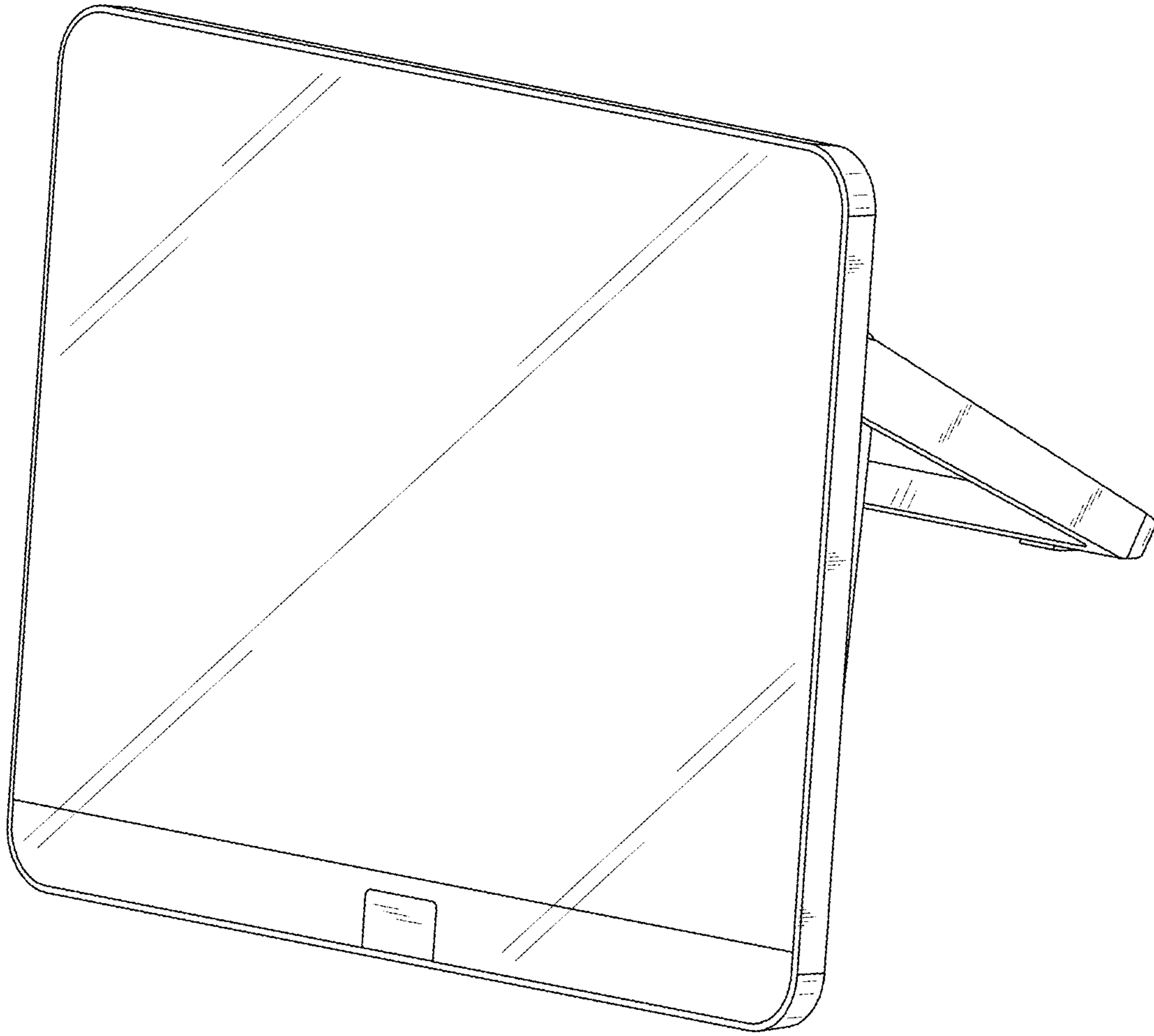


FIG.7



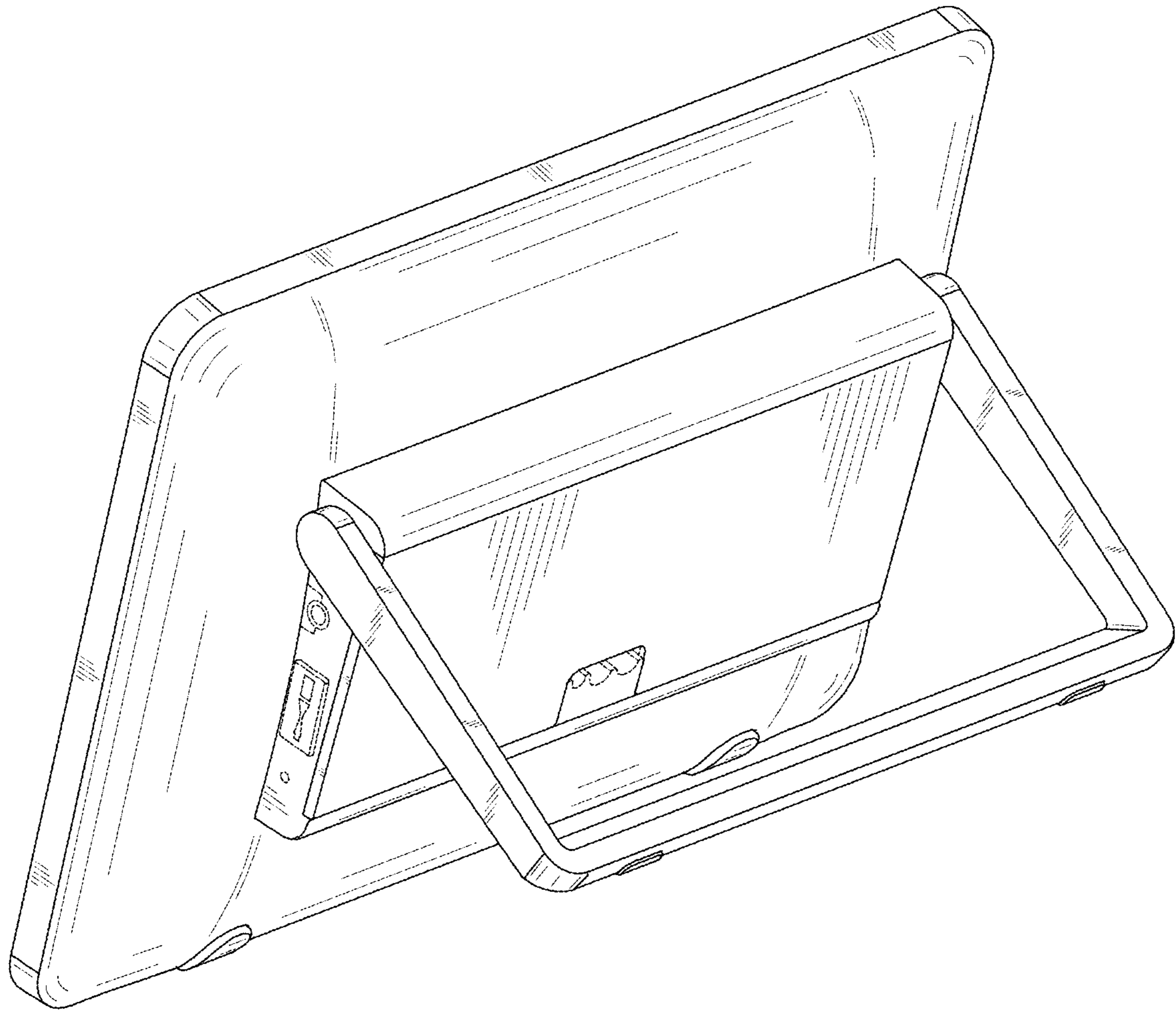


FIG.8

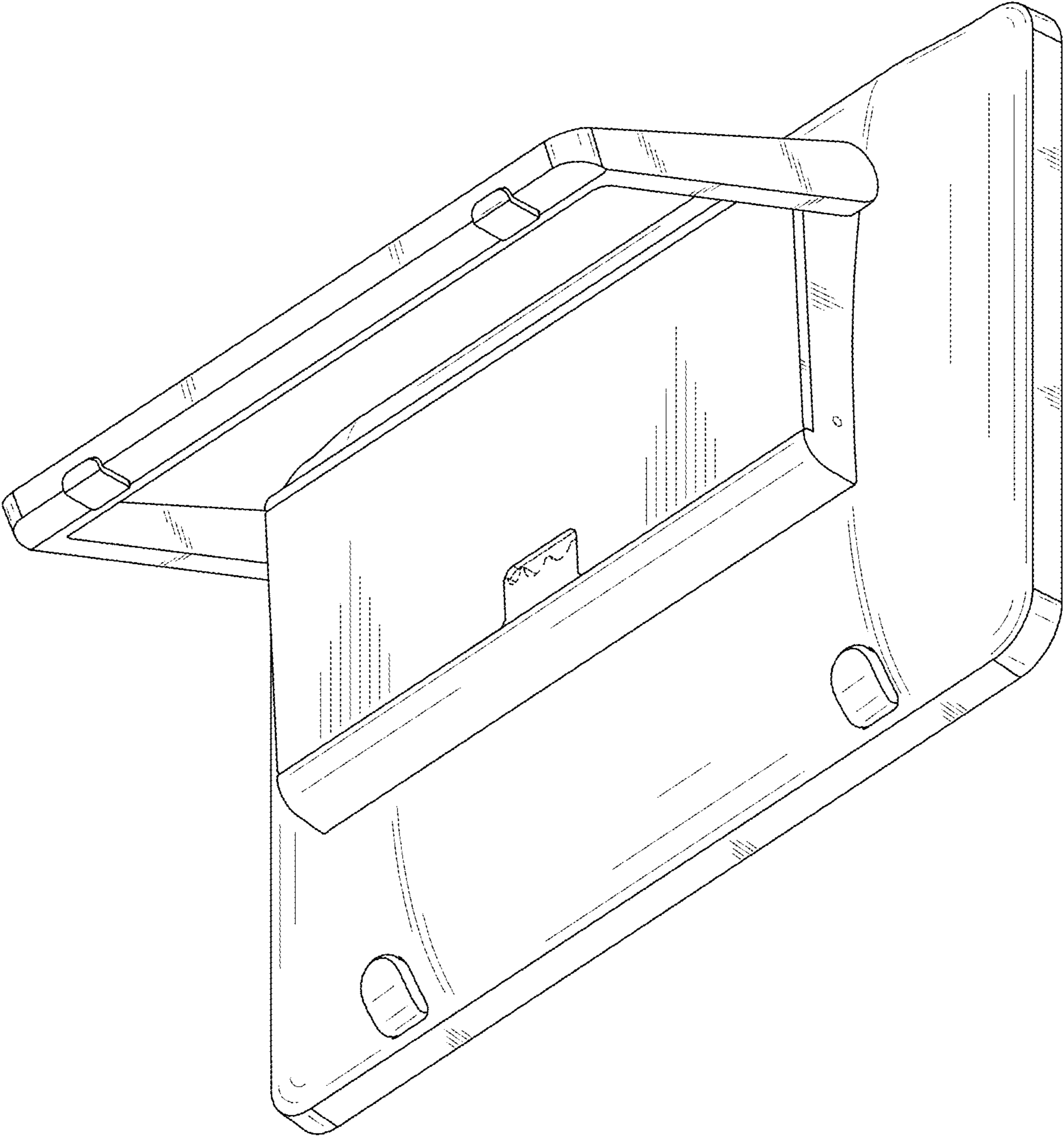


FIG.9