



US00D934826S

(12) **United States Design Patent** (10) **Patent No.:** **US D934,826 S**
Wang (45) **Date of Patent:** **** Nov. 2, 2021**

(54) **DISPLAY FOR MOBILE PHONE**

(71) Applicant: **Huailu Wang**, Guangdong (CN)

(72) Inventor: **Huailu Wang**, Guangdong (CN)

(73) Assignee: **Shenzhen Renmei Plastic Electronics Co., Ltd.**, Shenzhen (CN)

(**) Term: **15 Years**

(21) Appl. No.: **29/764,136**

(22) Filed: **Dec. 28, 2020**

(51) **LOC (13) Cl.** **14-03**

(52) **U.S. Cl.**
USPC **D14/126**; D14/341

(58) **Field of Classification Search**
USPC D14/341-347, 424, 425, 432-453, 464, D14/468, 469, 471, 496, 511, 138 AA, D14/138 AD, 138 C, 138 G, 203.1-203.8, D14/217, 238.1, 248, 250, 257, 299
CPC H04B 1/3833; H04B 1/385; H04B 1/3888
See application file for complete search history.

(56) **References Cited**

U.S. PATENT DOCUMENTS

D639,296 S *	6/2011	Tseng	D14/345
D679,278 S *	4/2013	Cho	D14/440
D859,396 S *	9/2019	Lee	D14/328
D872,077 S *	1/2020	Raken	D14/341
D878,376 S *	3/2020	Claudepierre	D14/440
D892,805 S *	8/2020	Piper	D14/440
D898,737 S *	10/2020	Chen	D14/345
D901,508 S	11/2020	Akana et al.		
D903,643 S	12/2020	Akana et al.		
D905,695 S	12/2020	Akana et al.		
D912,062 S *	3/2021	Jones	D14/440
D913,281 S *	3/2021	Kang	D14/341
D914,677 S *	3/2021	Gerardi	D14/341
2012/0314359 A1 *	12/2012	Hsieh	G06F 1/1618 361/679.12
2015/0237979 A1 *	8/2015	Huang	A45C 11/00 206/45.25
2015/0296060 A1 *	10/2015	Gu	G06F 1/162 455/575.4

FOREIGN PATENT DOCUMENTS

CN	305947670	*	3/2020
CN	306382438	*	9/2020
CN	306391260	*	9/2020

OTHER PUBLICATIONS

Dragon Touch S1 Pro 4K Portable Monitor, first available Dec. 30, 2020, amazon.com, [online], [site visited Apr. 21, 2021], Available from internet URL: https://www.amazon.com/dp/B08RN6W9CZ/ref=sspa_dk_detail_3?psc=1&pd_rd_i=B08RN6W9CZ&pd_rd_w=o37v1&pf_rd_p=085568d9-3b13-4ac1-%E2%80%A6/11 (Year: 2020).*

(Continued)

Primary Examiner — Christian P. McLean
Assistant Examiner — Holly M Rodriguez

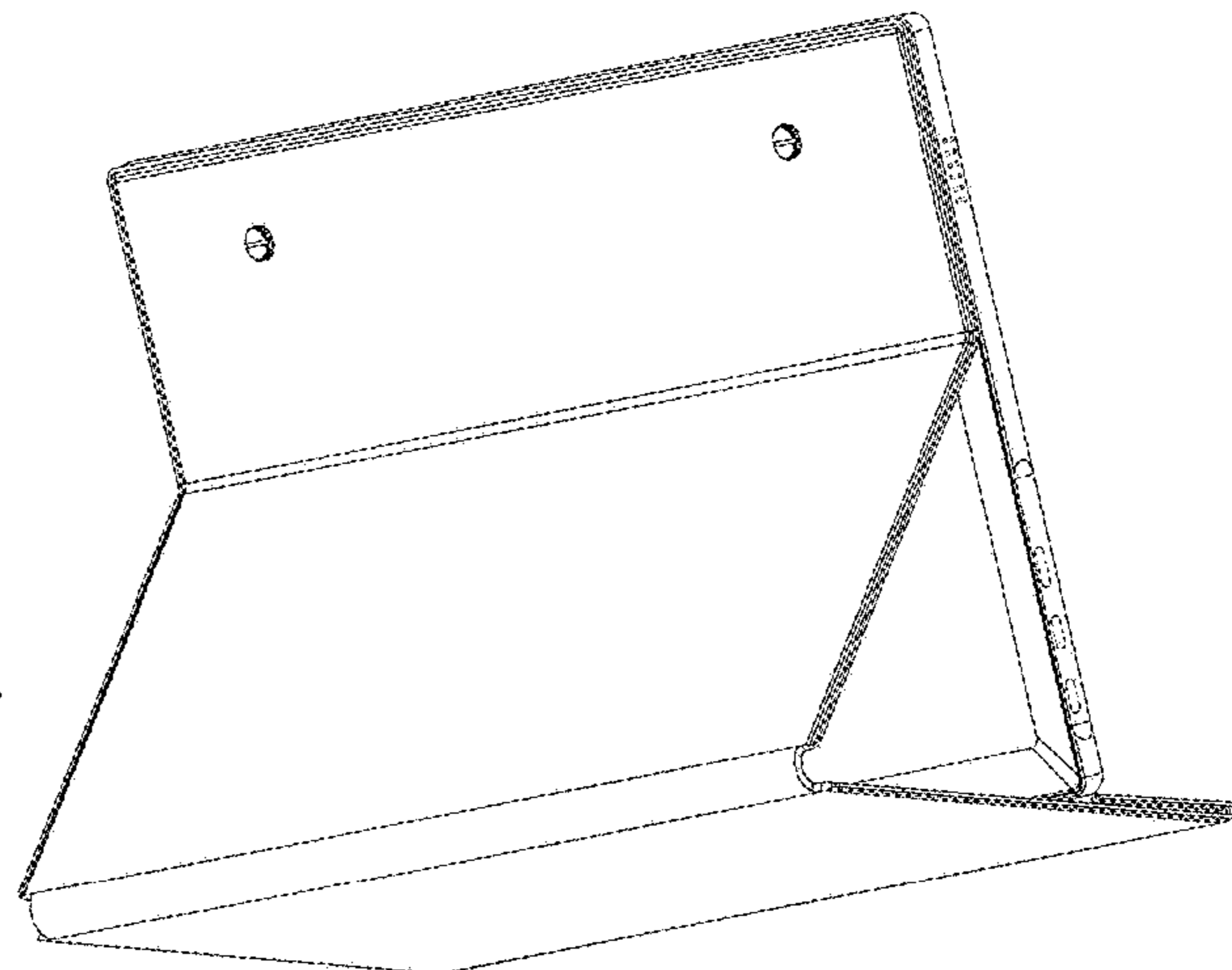
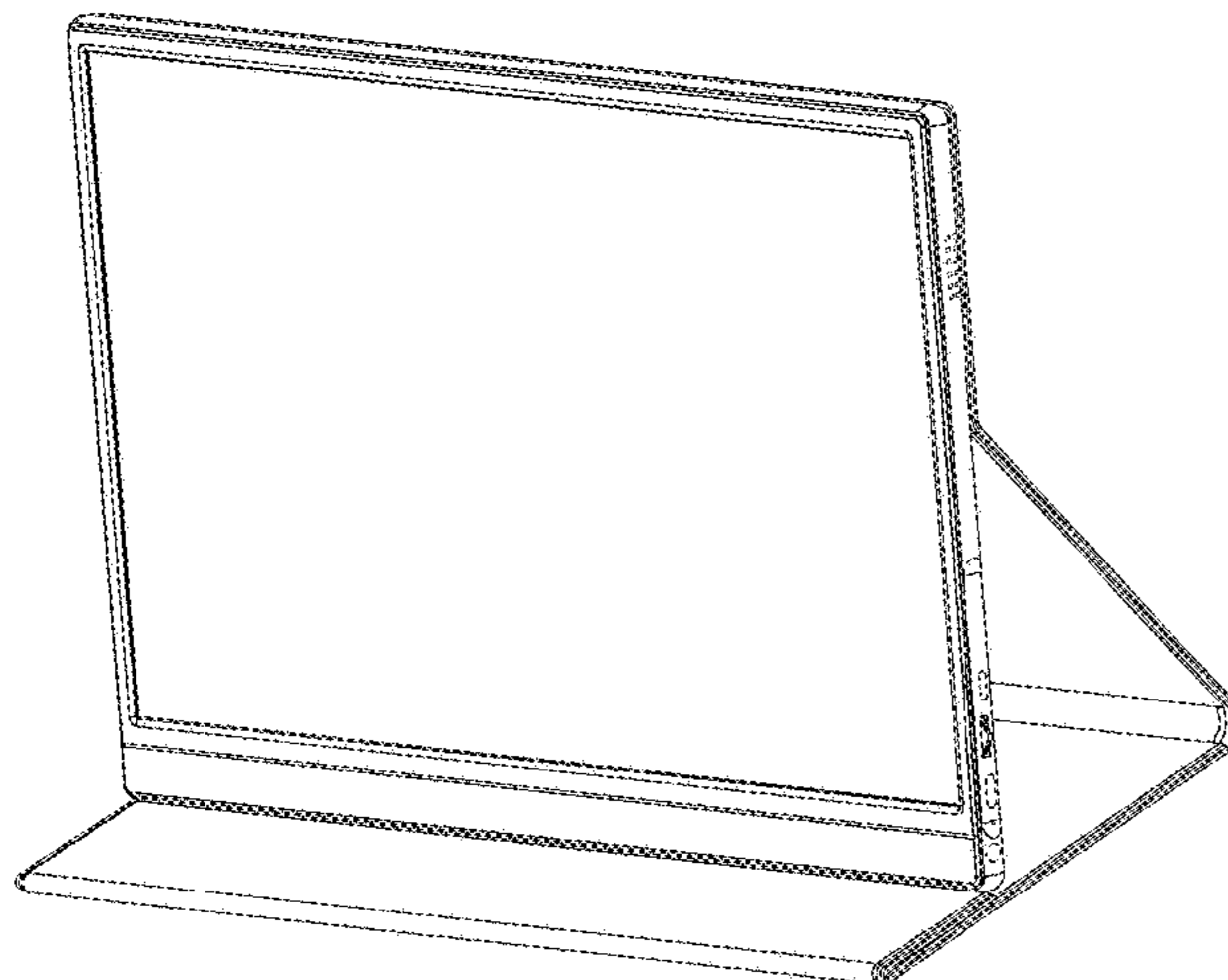
(57) **CLAIM**

The ornamental design for a display for mobile phone, as shown and described.

DESCRIPTION

FIG. 1 is a front, right side perspective view of a display for mobile phone showing my new design;
FIG. 2 is a rear, left side perspective view thereof;
FIG. 3 is a front elevation view thereof;
FIG. 4 is a rear elevation view thereof;
FIG. 5 is an enlarged left side elevation view thereof;
FIG. 6 is an enlarged right side elevation view thereof;
FIG. 7 is a top plan view thereof; and,
FIG. 8 is a bottom plan view thereof.
The broken lines in the drawings illustrate portions of the display for mobile phone that form no part of the claimed design.

1 Claim, 8 Drawing Sheets



(56)

References Cited

OTHER PUBLICATIONS

Portable Monitor—Lepow Z1-Gamut, first available Mar. 19, 2020, amazon.com, [online], [site visited Apr. 21, 2021], Available from internet URL: <https://www.amazon.com/Portable-Monitor-Z1-Gamut-Computer-Speakers/dp/B0863GM4YR> (Year: 2020).*

UPERFECT Truly 4K Computer Monitor, first available Apr. 29, 2019, amazon.com, [online], [site visited Apr. 21, 2021], Available from internet URL: https://www.amazon.com/dp/B07R7QH787/ref=sspa_dk_detail_6?psc=1&pd_rd_i=B07R7QH787&pd_rd_w=3IM0o&pf_rd_p=085568d9-3b13-4ac1-8%E2%80%A6 (Year: 2019).*

* cited by examiner

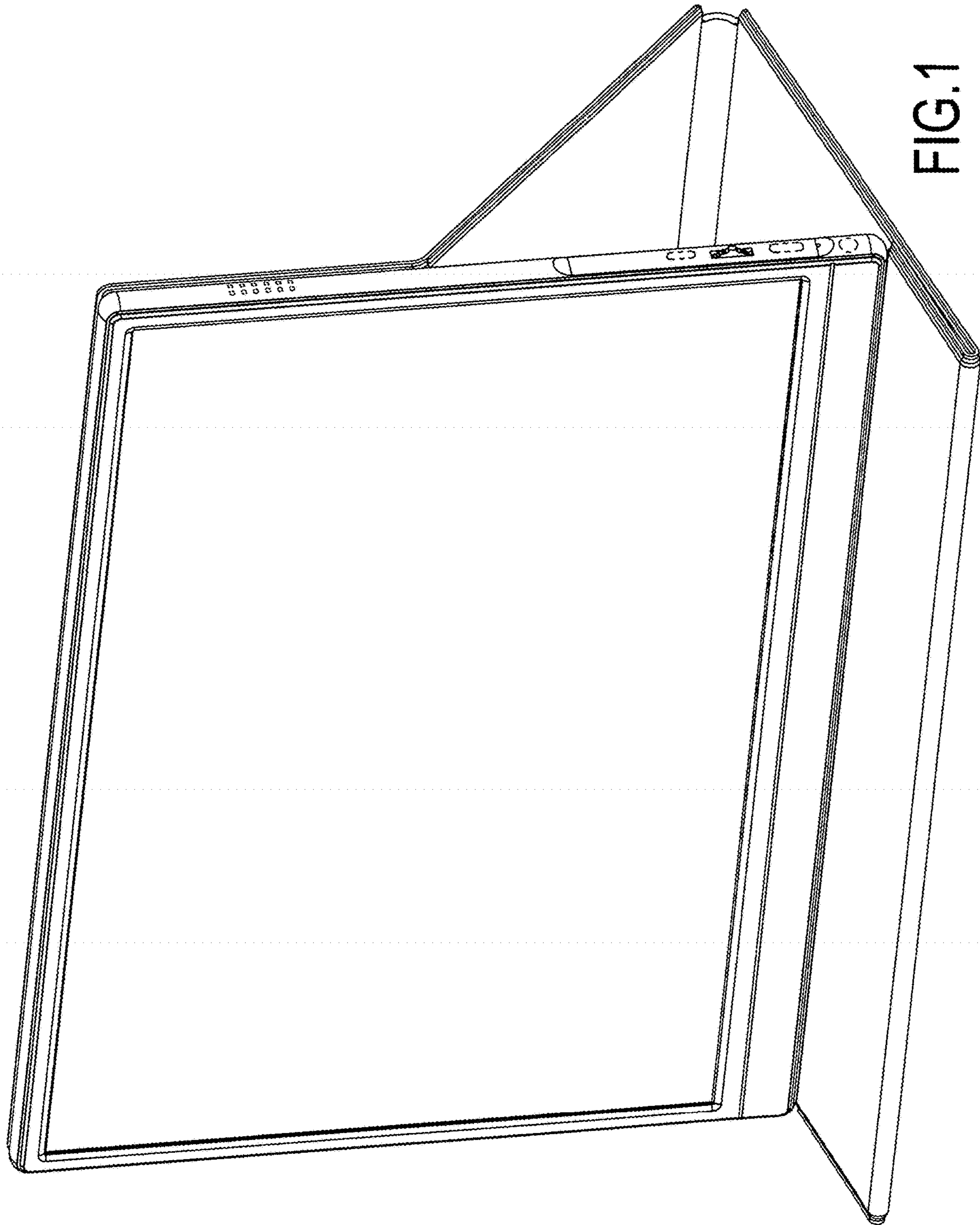


FIG. 1

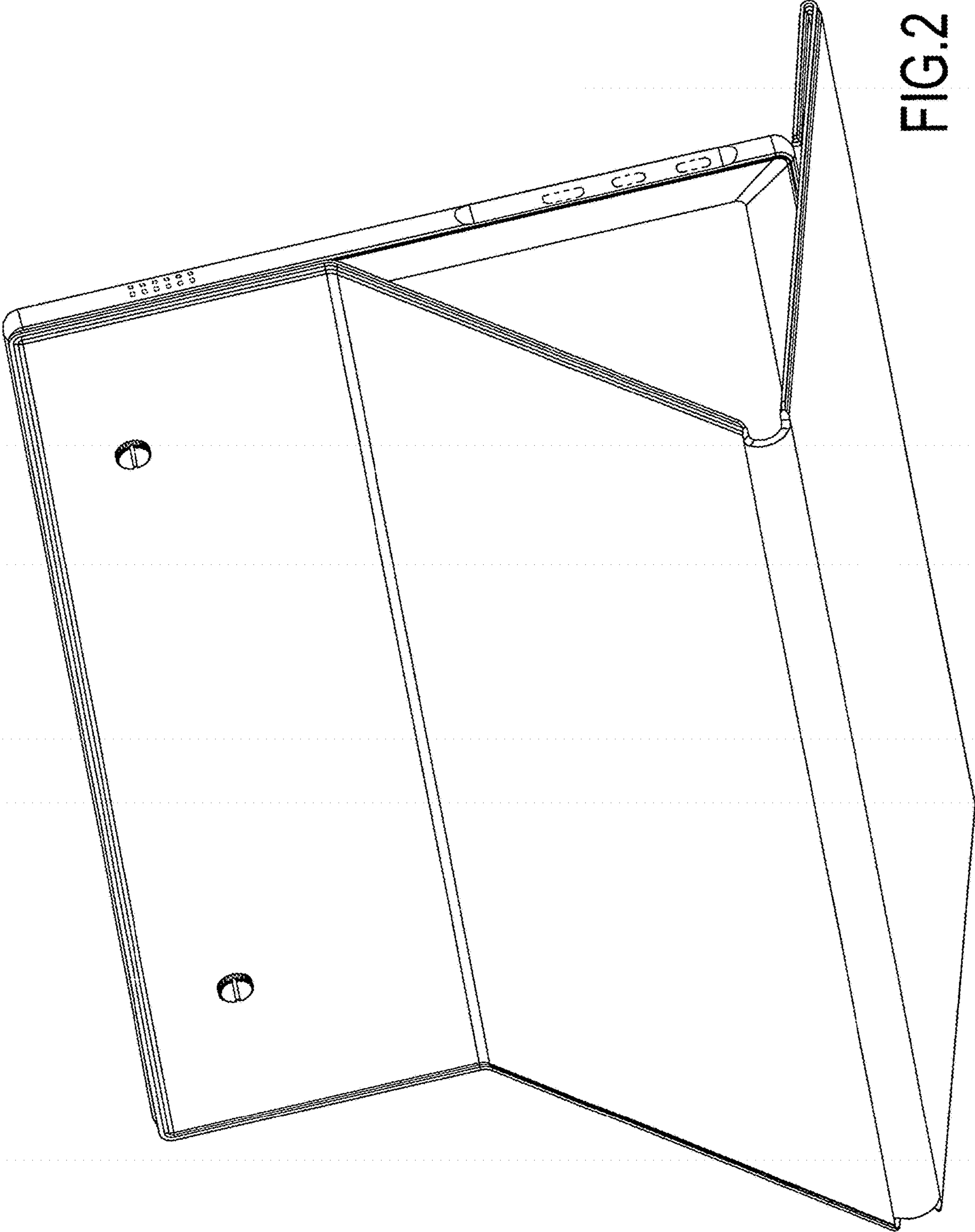


FIG.2

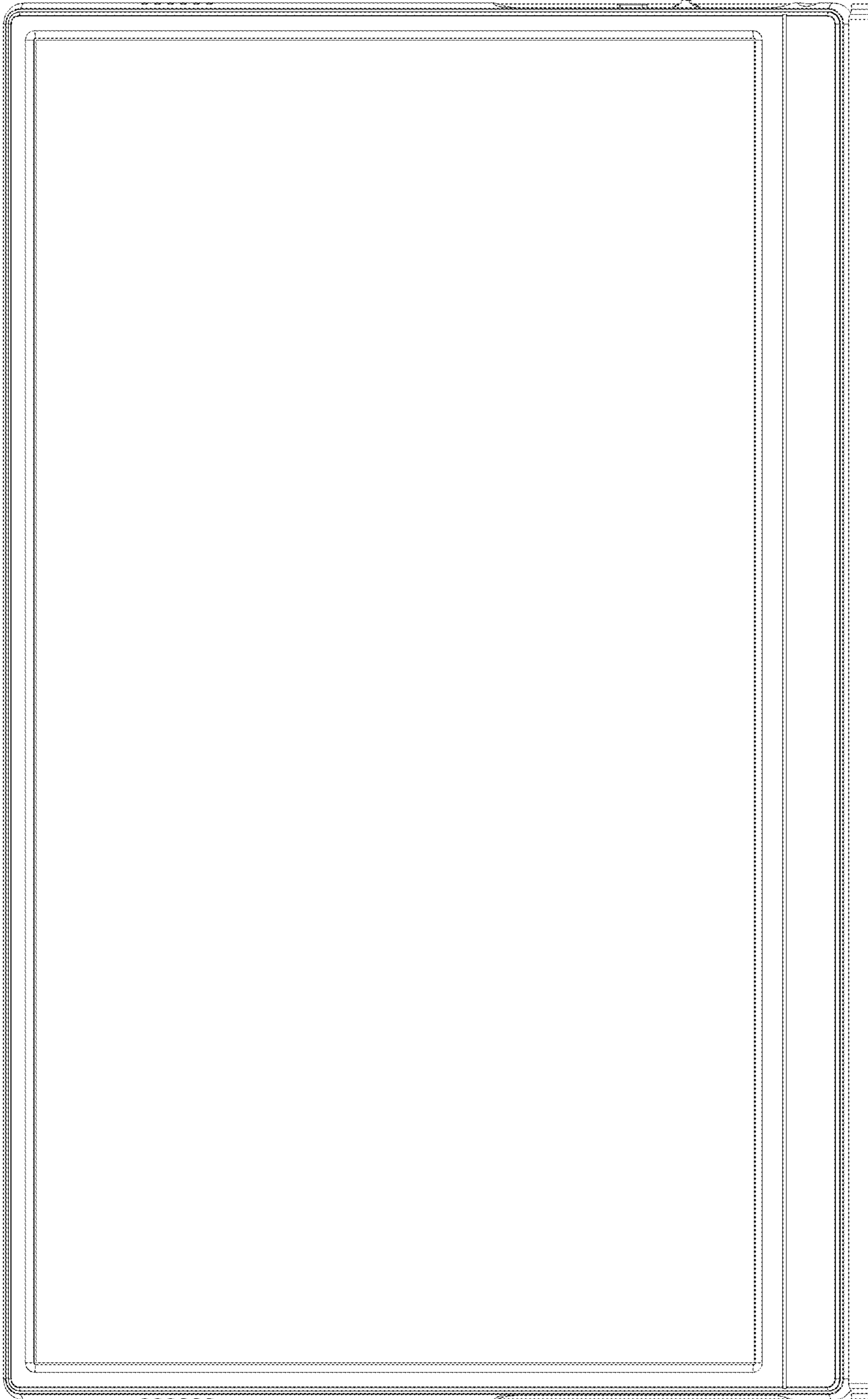


FIG.3

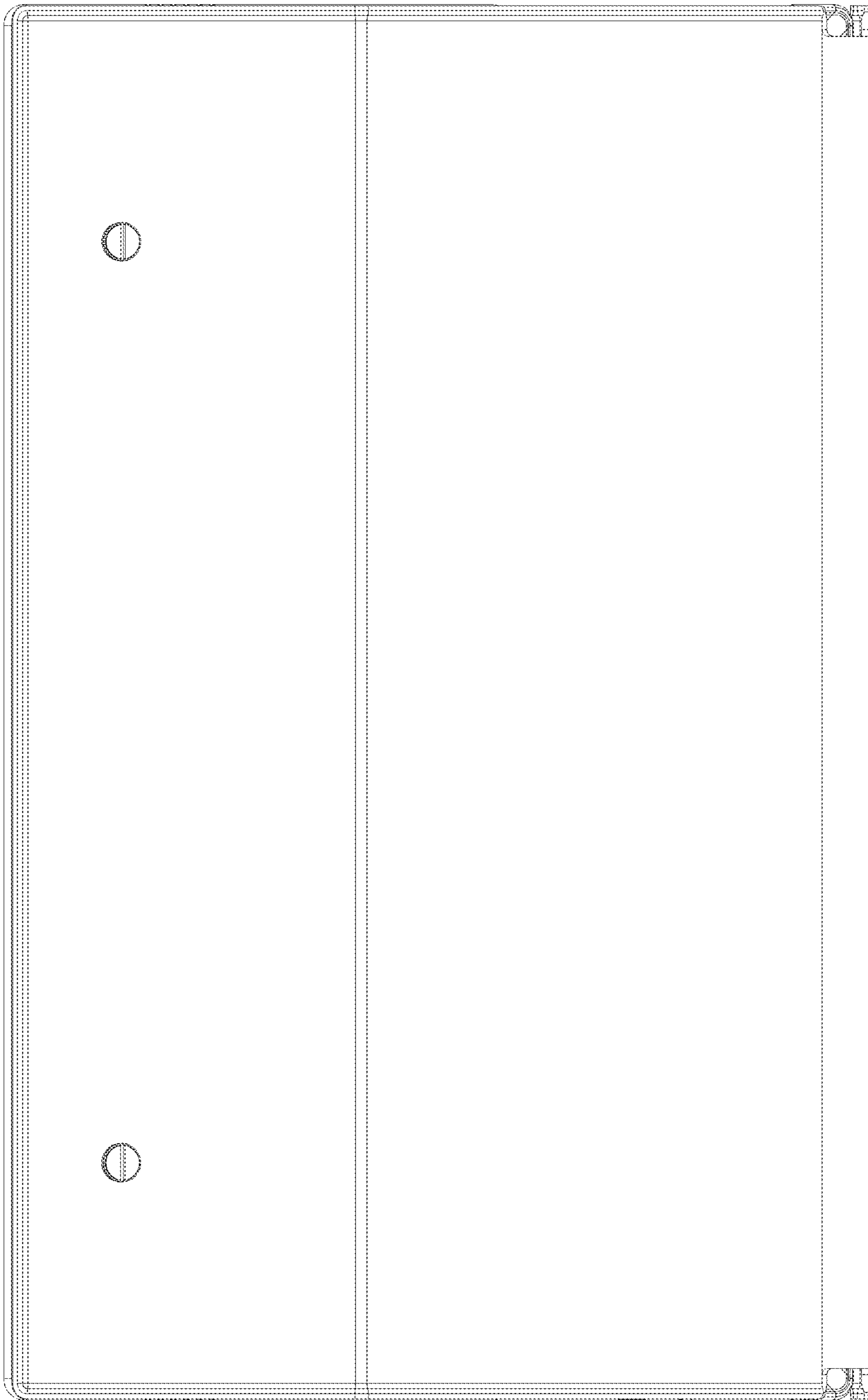


FIG.4

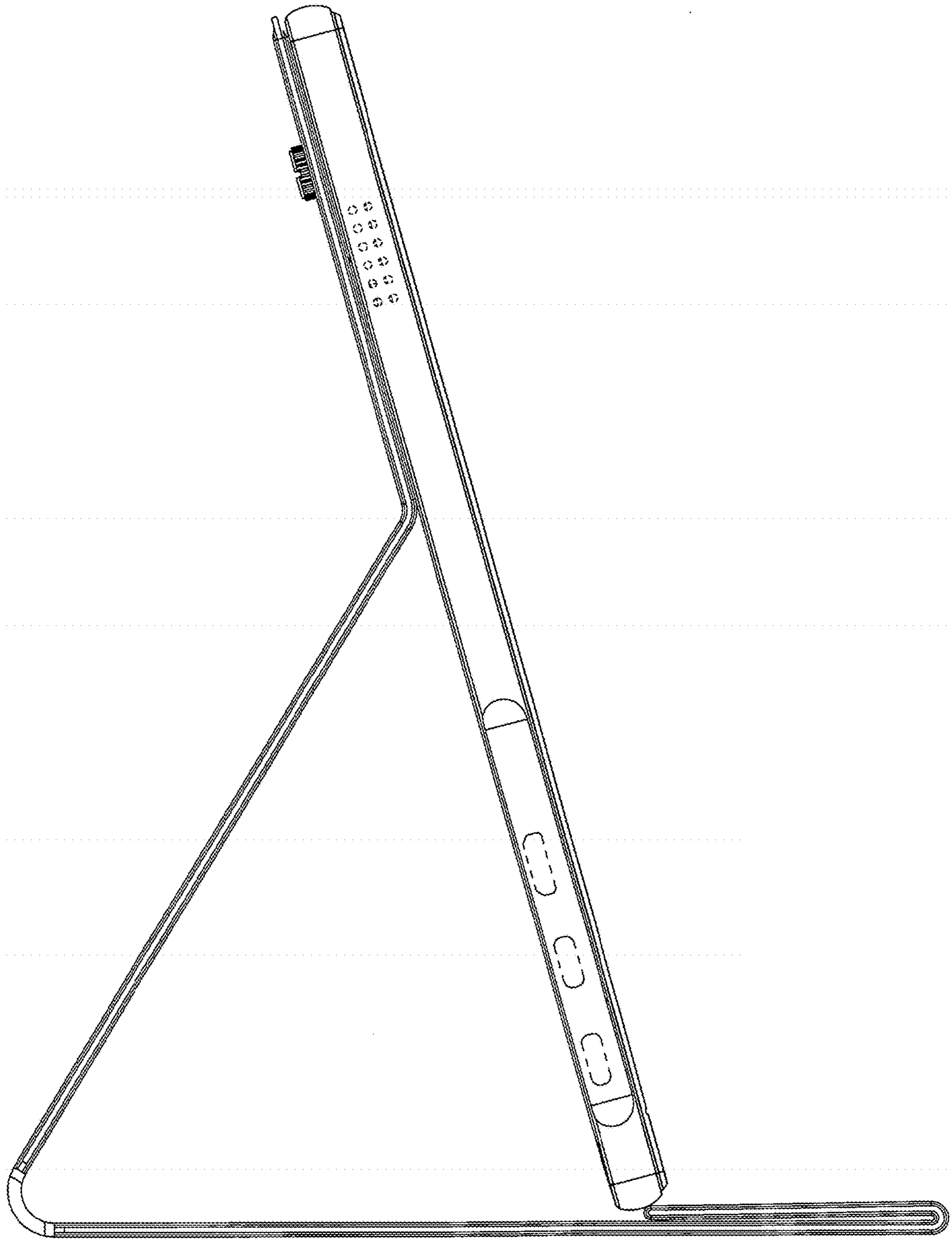


FIG.5

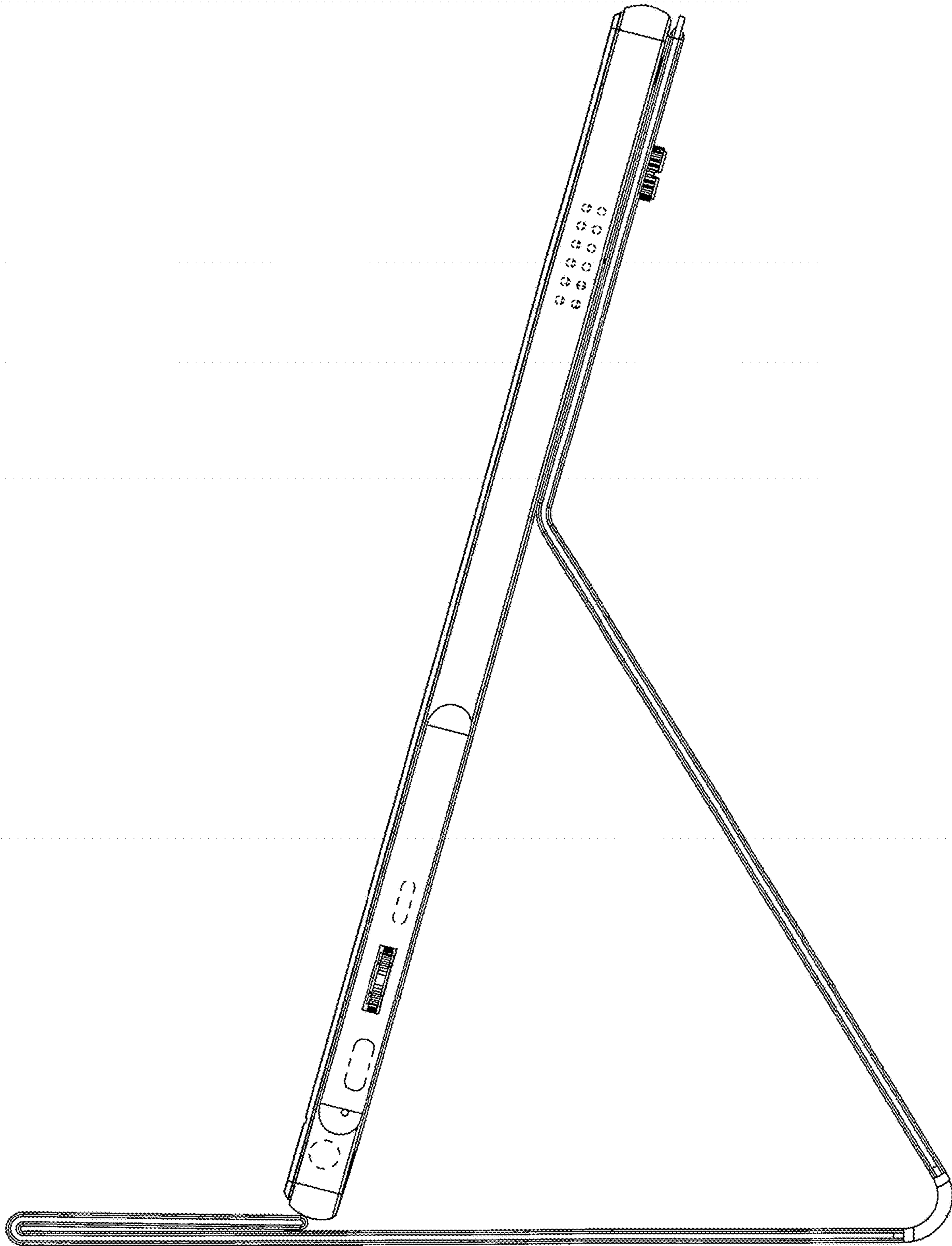


FIG.6

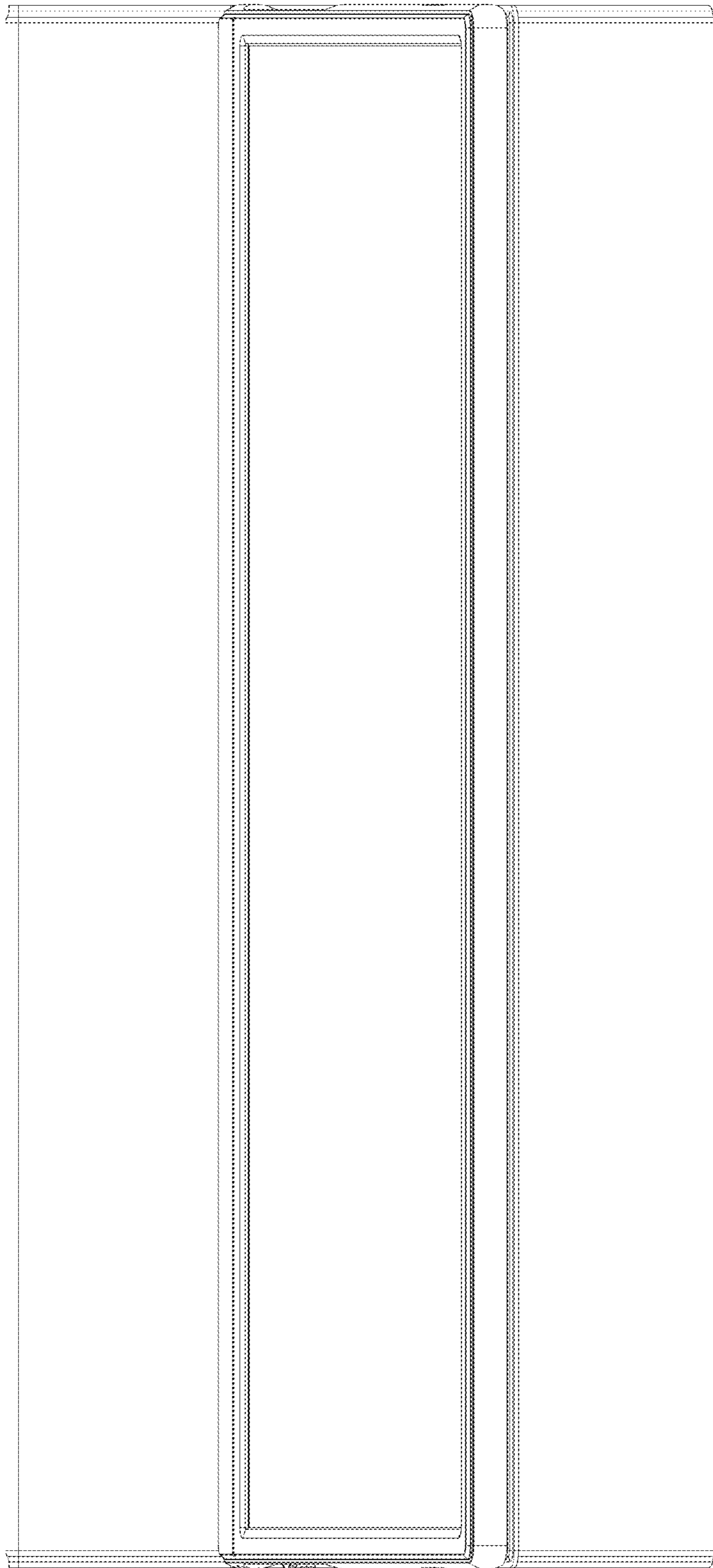


FIG.7

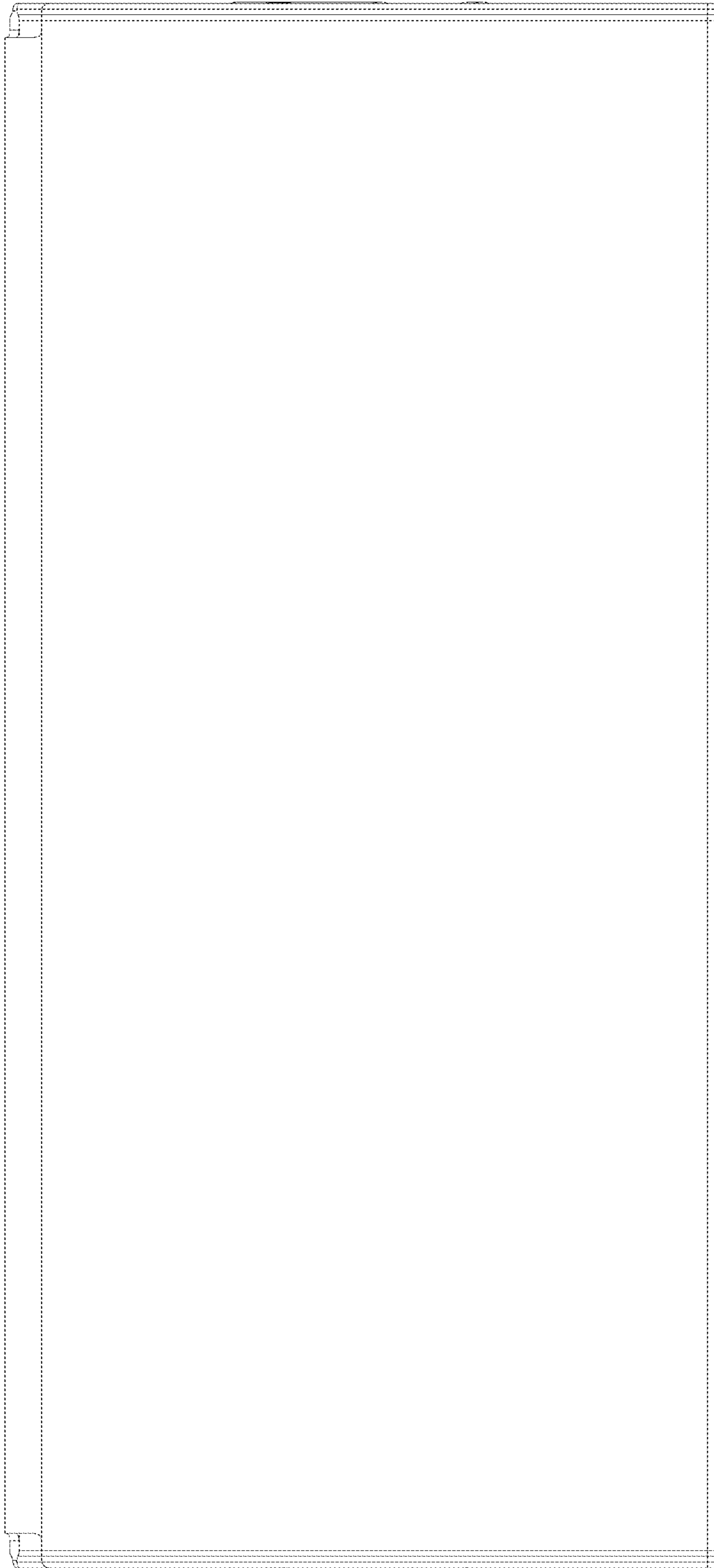


FIG. 8