



US00D934823S

(12) **United States Design Patent**
Kim et al.

(10) **Patent No.: US D934,823 S**

(45) **Date of Patent: ** Nov. 2, 2021**

(54) **TELEVISION RECEIVER**

(71) Applicant: **Samsung Electronics Co., Ltd.**,
Suwon-si (KR)

(72) Inventors: **Ji-Gwang Kim**, Seoul (KR);
Dongwook Kim, Seoul (KR);
Jeongwoo Park, Seoul (KR); **Sang**
Young Lee, Gwangmyeong-si (KR);
Su-An Choi, Seoul (KR)

(73) Assignee: **Samsung Electronics Co., Ltd.**,
Suwon-si (KR)

(**) Term: **15 Years**

(21) Appl. No.: **29/681,608**

(22) Filed: **Feb. 27, 2019**

(30) **Foreign Application Priority Data**

Aug. 29, 2018 (KR) 30-2018-0040293

(51) **LOC (13) Cl.** **14-03**

(52) **U.S. Cl.**
USPC **D14/126**

(58) **Field of Classification Search**
USPC ... D14/125, 126, 127-137, 138 G, 239, 240,
D14/248, 314-316, 322, 326, 334-336,
(Continued)

(56) **References Cited**

U.S. PATENT DOCUMENTS

D231,430 S * 4/1974 Steinhauser D8/382
4,547,986 A * 10/1985 Sherman A47G 1/101
40/785

(Continued)

FOREIGN PATENT DOCUMENTS

CN 305412897 * 11/2019
KR 301011334.0000 * 6/2019
WO WOD201596-010 * 8/2019

OTHER PUBLICATIONS

Transparent OLED Signage, date not available, [retrieved Jan. 15, 2021], Retrieved from Internet, URL: <https://www.lg.com/global/business/oled-signage/lg-55EW5F-A#> (Year: 2020).*

(Continued)

Primary Examiner — Barbara Fox

Assistant Examiner — Aram Kwon

(74) *Attorney, Agent, or Firm* — NSIP Law

(57) **CLAIM**

We claim the ornamental design for a television receiver, as shown and described.

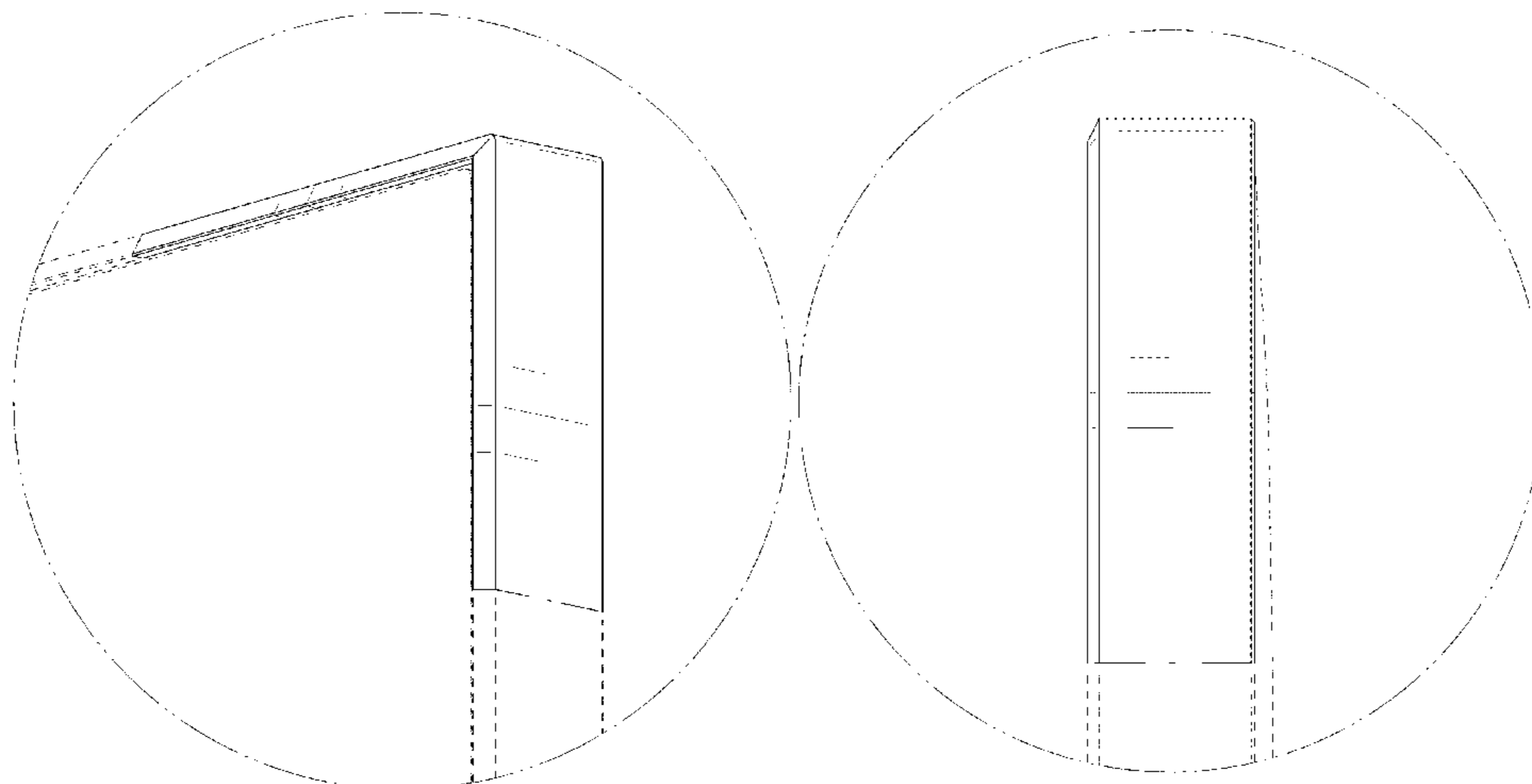
DESCRIPTION

FIG. 1 is a front perspective view of a television receiver showing our new design;
FIG. 2 is a front view thereof;
FIG. 3 is a rear view thereof;
FIG. 4 is a left-side view thereof;
FIG. 5 is a right-side view thereof;
FIG. 6 is a top view thereof;
FIG. 7 is a bottom view thereof;
FIG. 8 is a bottom front perspective view thereof;
FIG. 9 is a rear perspective view thereof;
FIG. 10 is an enlarged view of the encircled portion in FIG. 1;
FIG. 11 is an enlarged view of the encircled portion in FIG. 2;
FIG. 12 is an enlarged view of the encircled portion in FIG. 8;
FIG. 13 is an enlarged view of the encircled portion in FIG. 5; and,
FIG. 14 is an enlarged view of the encircled portion in FIG. 9.

The dash-dash broken lines in the figures depict portions of the television receiver that form no part of the claimed design.

The dot-dash broken lines in the figures represent a boundary line and form no part of the claimed design.

(Continued)



The dot-dot-dash broken lines encircling portions of the claimed design that are illustrated in enlargements form no part of the claimed design.

The unshaded surface in the figures that directly adjoins the claimed solid line edge forms no part of the claimed design.

1 Claim, 12 Drawing Sheets

(58) **Field of Classification Search**

USPC D14/339, 340, 356, 358, 371, 373-374,
D14/448, 450, 341-347; D6/300, 310,
D6/314, 320, 332, 553, 657; D21/324,
D21/329, 332, 515
CPC G06F 1/16; G06F 1/1601; G06F 1/1637;
G06F 3/041; G06F 3/0412; G06F 3/0416;
H04N 5/64; H05K 5/0204; H05K 5/0017;
H05K 5/0217; H04M 1/725; H04M
1/0202; H04M 1/0266

See application file for complete search history.

(56) **References Cited**

U.S. PATENT DOCUMENTS

D332,776 S * 1/1993 Kelly D14/346
D346,278 S * 4/1994 Pritchett D6/300
D395,454 S * 6/1998 Hayashi D14/374
D524,555 S * 7/2006 Mohundro D6/300
D559,557 S * 1/2008 Mischel, Jr. D6/300
D559,558 S * 1/2008 Mischel, Jr. D6/300
D639,568 S * 6/2011 Lee D6/308
D651,812 S * 1/2012 Lee D6/300

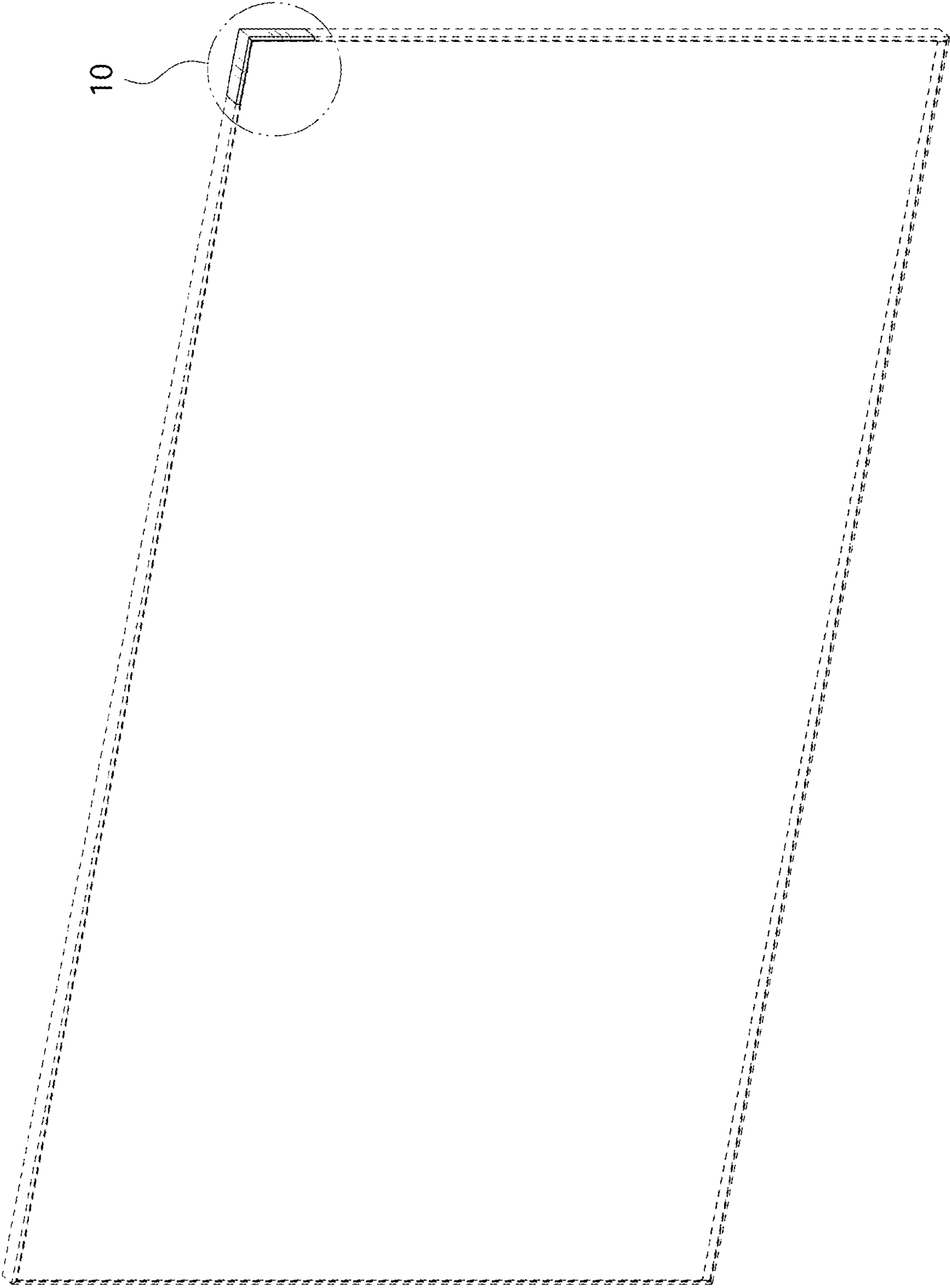
D652,015 S * 1/2012 Han D14/138 AA
D654,274 S * 2/2012 Krawczyk D6/300
D680,235 S * 4/2013 Vaes D25/136
D709,843 S * 7/2014 Inoue D14/126
D715,795 S * 10/2014 McManigal D14/341
D722,579 S * 2/2015 Yagi D14/126
D738,378 S * 9/2015 Kim D14/451
D749,534 S * 2/2016 Liu D14/138 G
D753,637 S * 4/2016 Shin D14/239
D761,226 S * 7/2016 Poulin D14/138 G
D769,837 S * 10/2016 Kim D14/126
D783,554 S * 4/2017 Kim D14/126
D786,877 S * 5/2017 Christie, II D14/434
D811,625 S * 2/2018 McGowan D25/119
D817,902 S * 5/2018 Lee D14/126
9,980,408 B2 * 5/2018 Byeon H05K 5/0004
D827,601 S * 9/2018 Kim D14/126
D864,136 S * 10/2019 Kim D14/126
D865,698 S * 11/2019 Seong D14/126
D878,314 S * 3/2020 Seong D14/126
D886,814 S * 6/2020 Cha D14/248
D886,815 S * 6/2020 Cha D14/248
D905,649 S * 12/2020 Kim D14/126
D918,163 S * 5/2021 Kim B64D 11/00154
D14/126
D924,188 S * 7/2021 Park D14/126
2010/0238128 A1 * 9/2010 Yu G06F 1/1601
345/173

OTHER PUBLICATIONS

This TV Is Also a Piece of Art, Sep. 15, 2017, [retrieved Aug. 21, 2020], Retrieved from Internet, URL: <<https://www.vogue.com/article/samsung-the-frame-tv-review>> (Year: 2017).*

* cited by examiner

FIG. 1



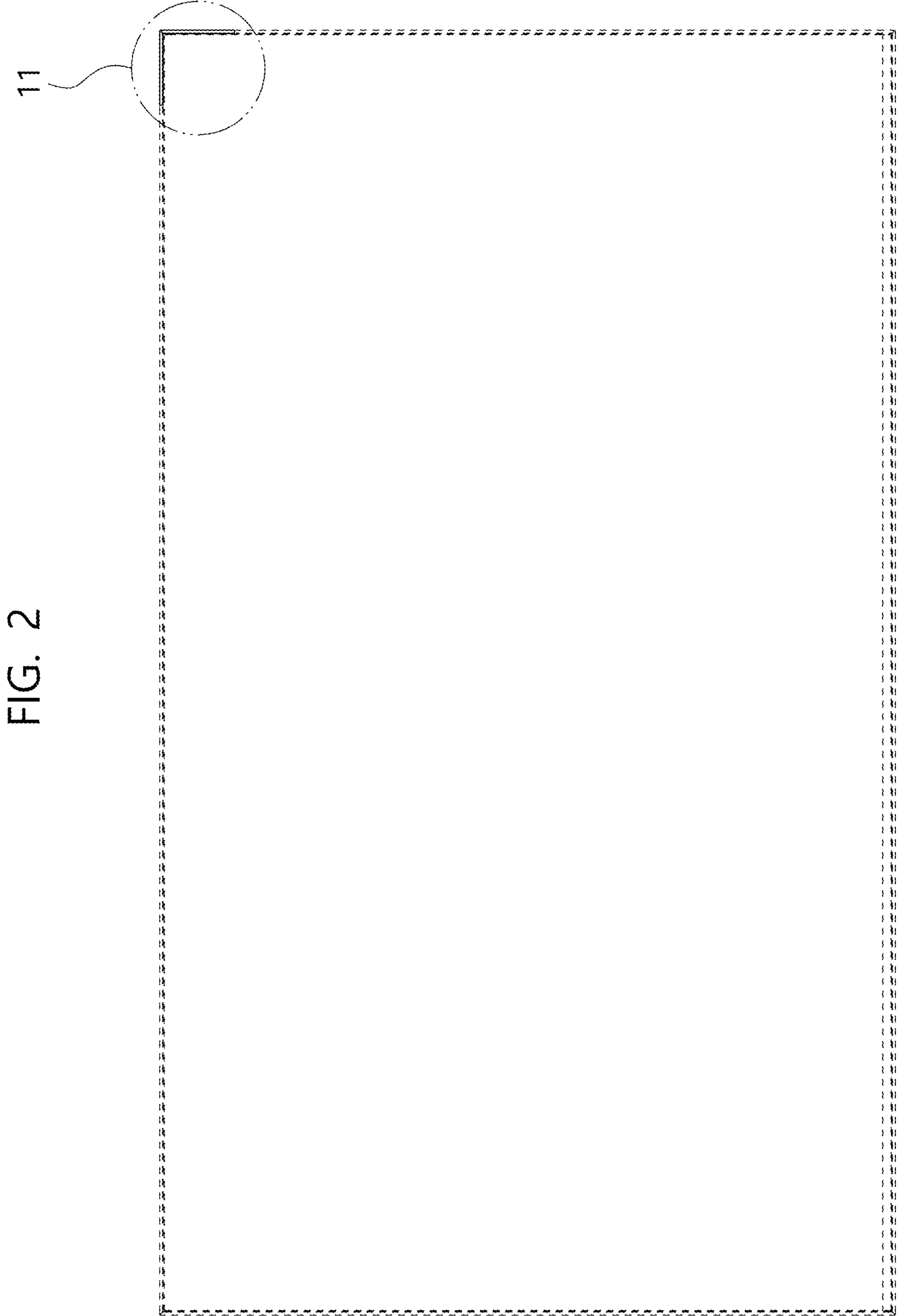


FIG. 2

FIG. 3

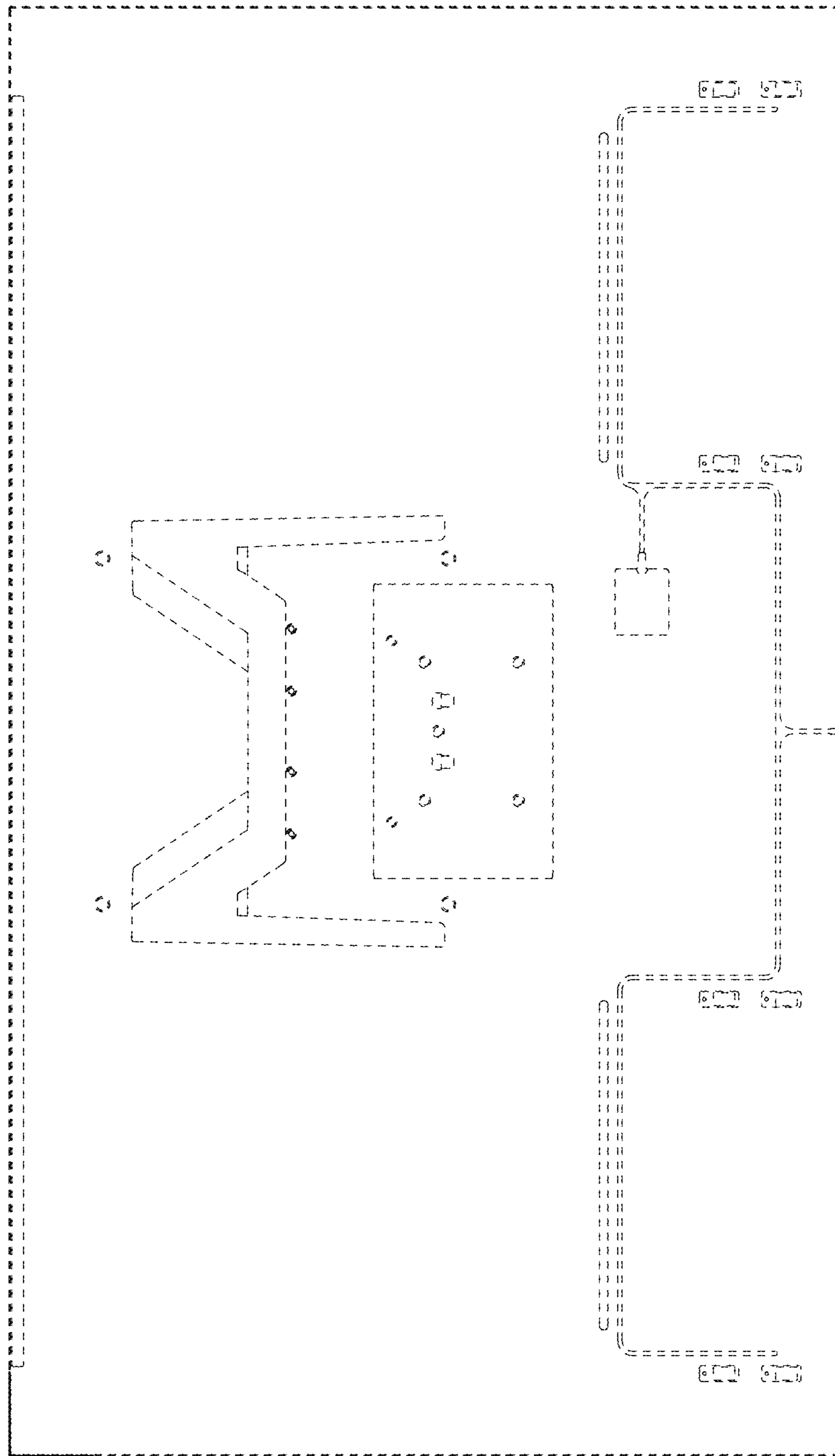


FIG. 5

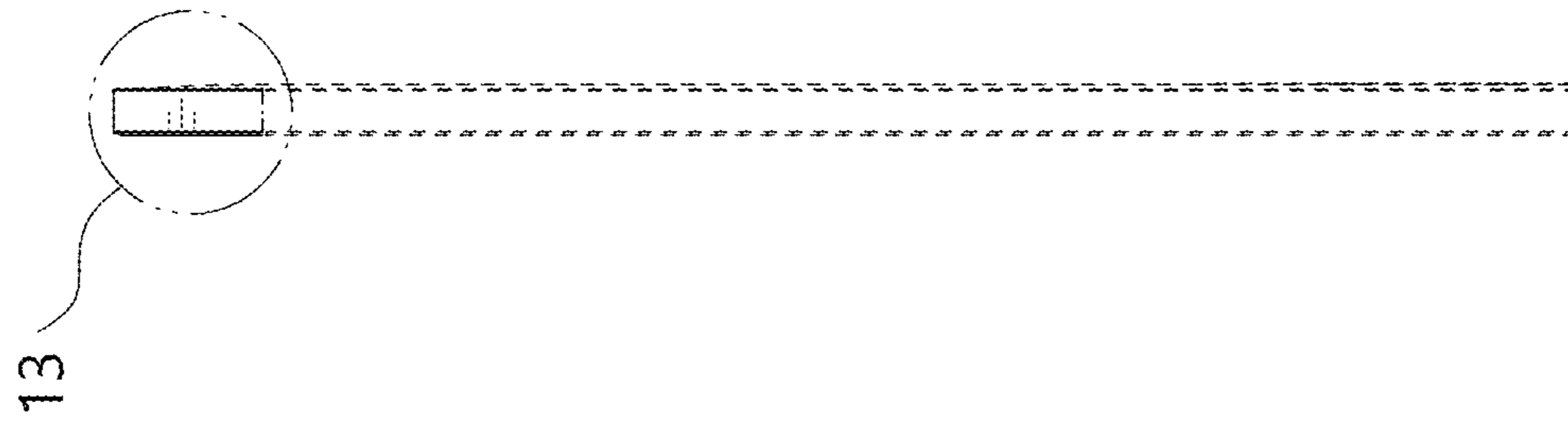


FIG. 4

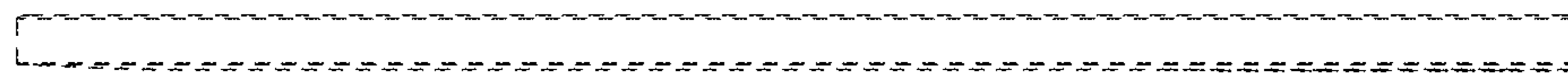


FIG. 6



FIG. 7



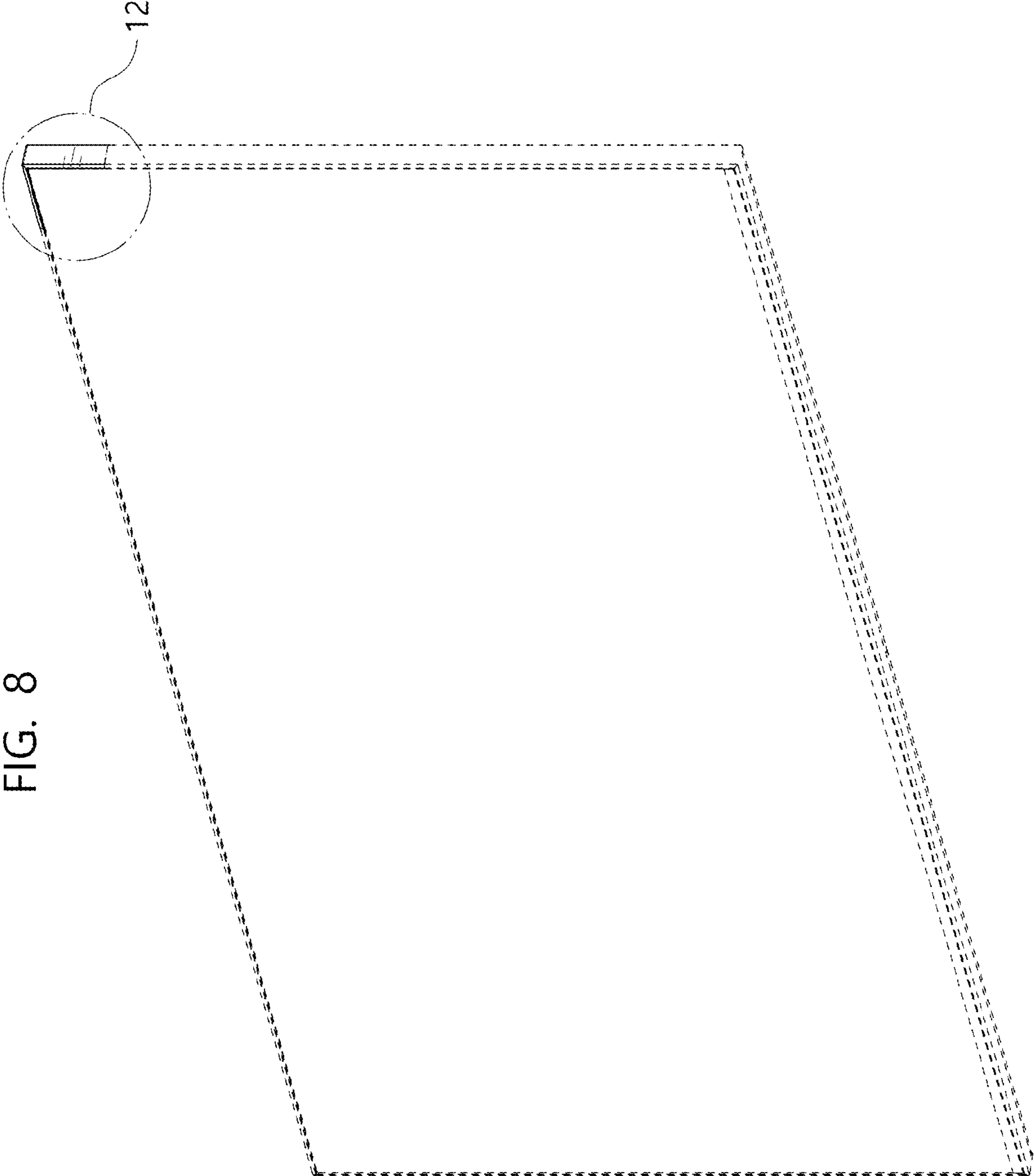


FIG. 8

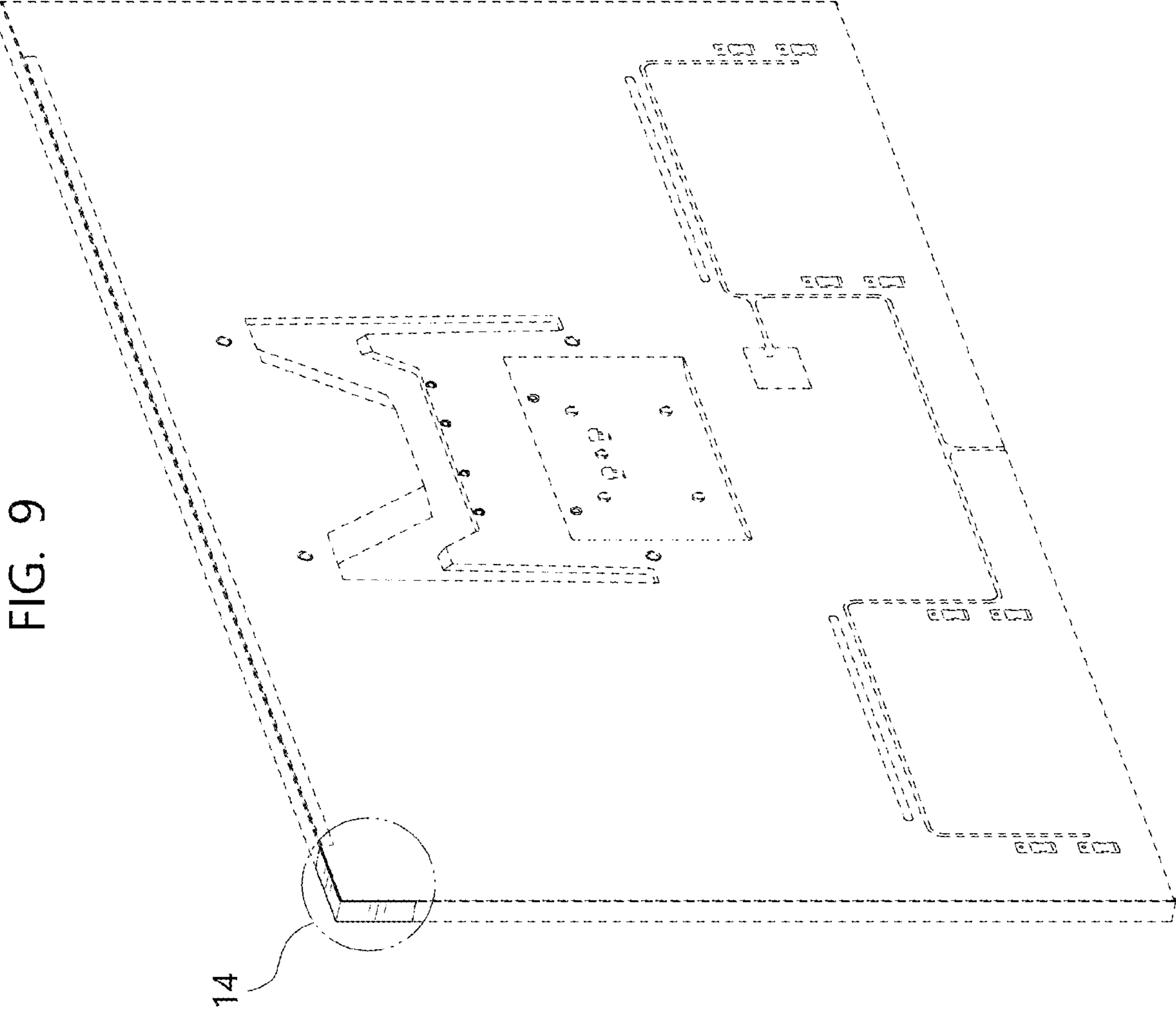
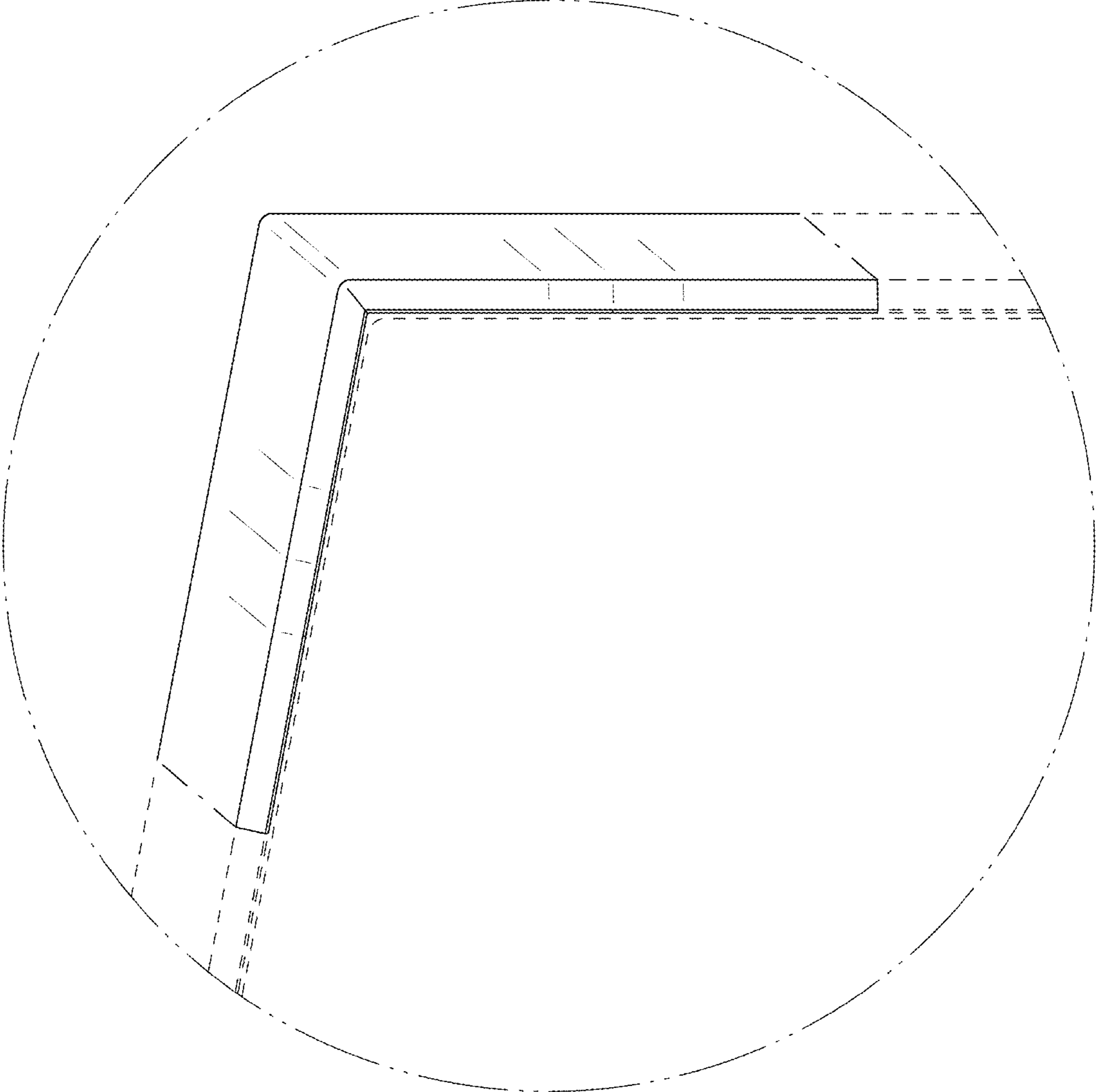


FIG. 9

14

FIG. 10



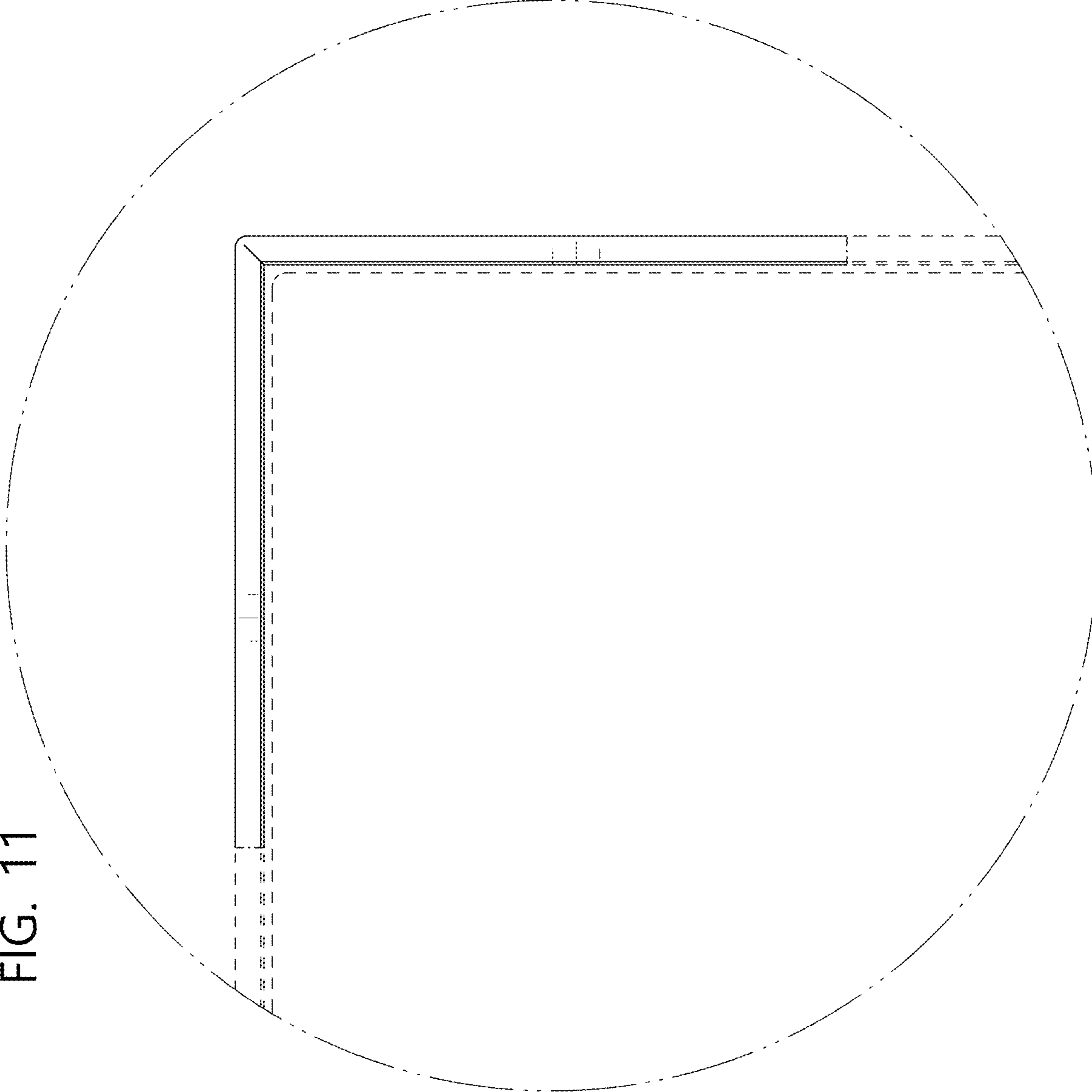


FIG. 11

FIG. 12

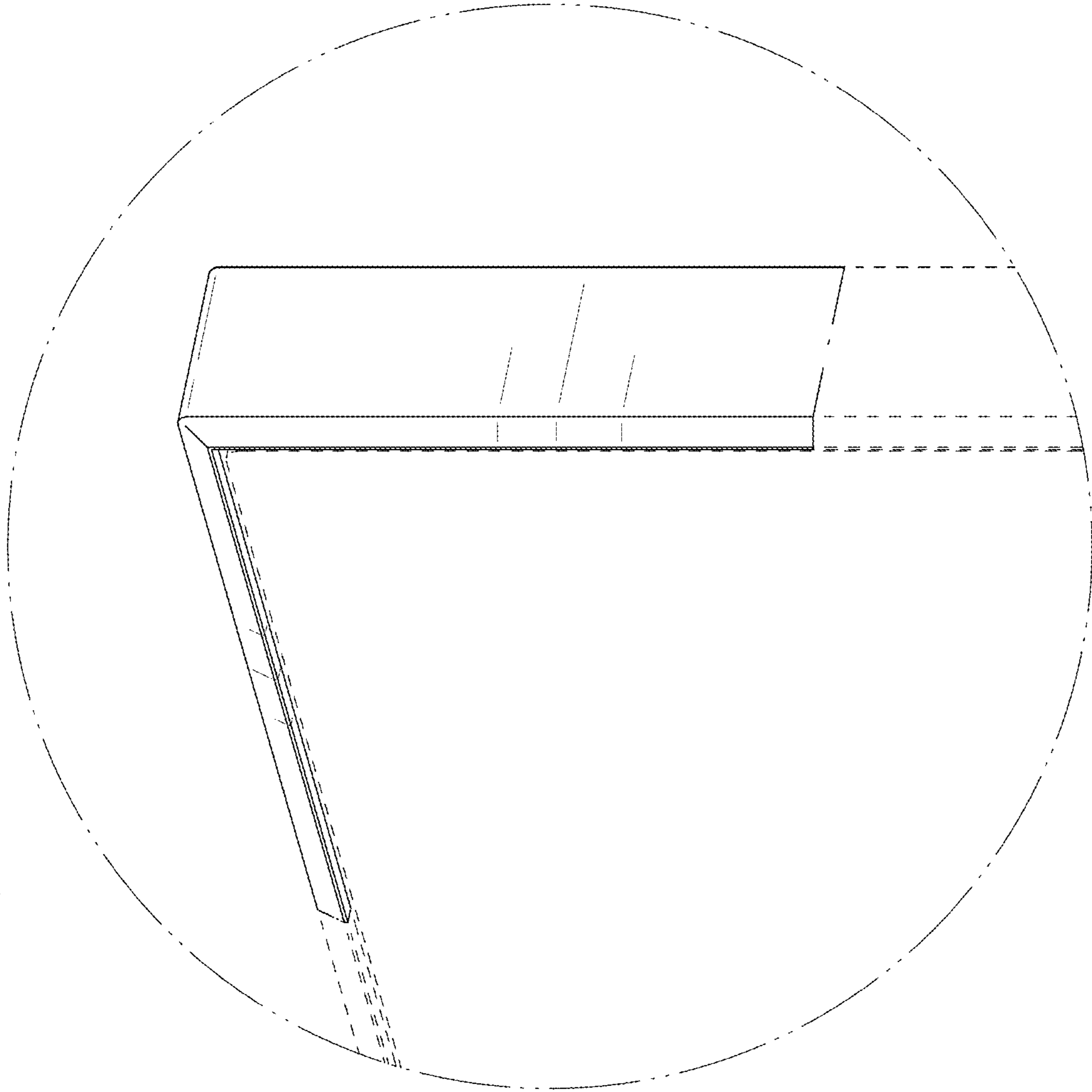


FIG. 13

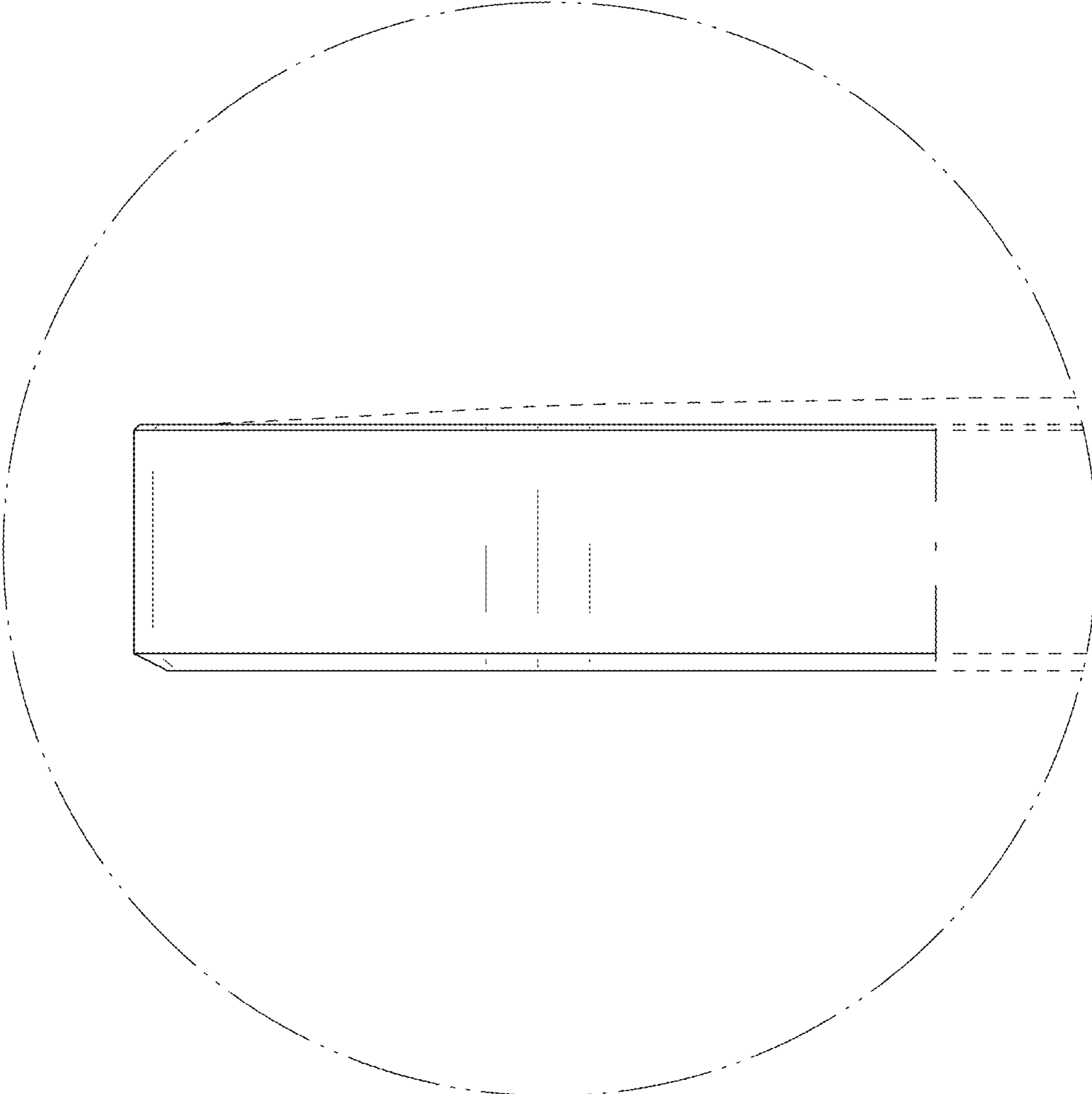


FIG. 14

