



US00D934819S

(12) **United States Design Patent** (10) **Patent No.:** **US D934,819 S**
Enger et al. (45) **Date of Patent:** **** Nov. 2, 2021**

(54) **LOCKOUT DEVICE**

(71) Applicant: **Brady Worldwide, Inc.**, Milwaukee, WI (US)

(72) Inventors: **Andrew N. Enger**, Muskego, WI (US);
Sohail Anwar, New Berlin, WI (US)

(73) Assignee: **Brady Worldwide, Inc.**, Milwaukee, WI (US)

(**) Term: **15 Years**

(21) Appl. No.: **29/634,006**

(22) Filed: **Jan. 17, 2018**

(51) **LOC (13) Cl.** **13-03**

(52) **U.S. Cl.**
USPC **D13/178; D8/331**

(58) **Field of Classification Search**
USPC **D13/156, 161, 169, 173, 175, 178;**
D8/330, 331, 394; 200/43.11-43.14
(Continued)

(56) **References Cited**

U.S. PATENT DOCUMENTS

D365,547 S * 12/1995 Steinwachs D13/178
6,649,851 B1 * 11/2003 Hennel H01H 9/283
200/43.13

(Continued)

FOREIGN PATENT DOCUMENTS

WO WO-2006105288 A2 * 10/2006 H01H 9/283

OTHER PUBLICATIONS

Brady, Brady Part: 51254; EZ Paneloc Clamp-On Breaker Lockouts; <https://www.bradyid.com/en-us/product/51254>, 5 pages.

Primary Examiner — Richard E Chilcot

(74) *Attorney, Agent, or Firm* — Quarles & Brady LLP

(57) **CLAIM**

The ornamental design for the lockout device, as shown and described.

DESCRIPTION

FIG. 1 is a top, rear, and right perspective view of a lockout device having an arm and a housing in a first open configuration, according to an embodiment of our new design; FIG. 2 is a top, rear, and left perspective view of the lockout device of FIG. 1;

FIG. 3 is a bottom, rear, and right perspective view of the lockout device of FIG. 1;

FIG. 4 is a bottom, rear, and left perspective view of the lockout device of FIG. 1;

FIG. 5 is a top, front, and right perspective view of the lockout device of FIG. 1;

FIG. 6 is top, front, and left perspective view of the lockout device of FIG. 1;

FIG. 7 is a bottom, front, and right perspective view of the lockout device of FIG. 1;

FIG. 8 is a bottom, front, and left perspective view of the lockout device of FIG. 1;

FIG. 9 is a bottom, front, and left perspective view of the lockout device of FIG. 1, taken at a different angle than FIG. 8;

FIG. 10 is a right plan view of the lockout device of FIG. 1;

FIG. 11 is a left plan view of the lockout device of FIG. 1;

FIG. 12 is a rear plan view of the lockout device of FIG. 1;

FIG. 13 is a front plan view of the lockout device of FIG. 1;

FIG. 14 is a top plan view of the lockout device of FIG. 1;

FIG. 15 is a bottom plan view of the lockout device of FIG. 1;

FIG. 16 is a top, rear, and right perspective view of the lockout device of FIG. 1, shown in a second closed configuration where the housing is moved axially relative to the arm, relative to the first open configuration.

FIG. 17 is a right plan view of the lockout device of FIG. 1 in the closed orientation;

FIG. 18 is a left plan view of the lockout device of FIG. 1 in the closed orientation;

FIG. 19 is a rear plan view of the lockout device of FIG. 1 in the closed orientation;

(Continued)

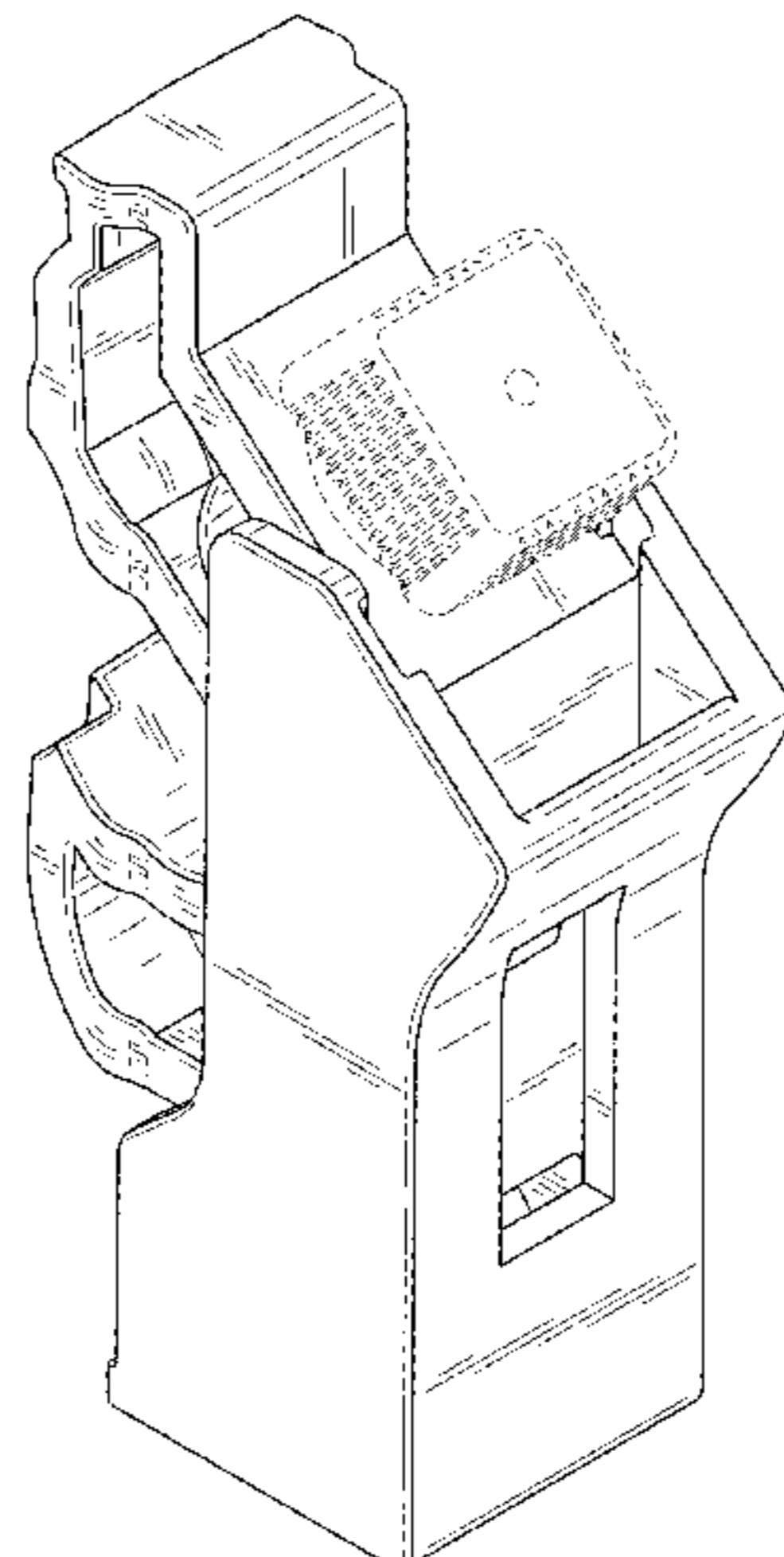


FIG. 20 is a front plan view of the lockout device of FIG. 1 in the closed orientation;

FIG. 21 is a top plan view of the lockout device of FIG. 1 in the closed orientation; and,

FIG. 22 is a bottom plan view of the lockout device of FIG. 1 in the closed orientation.

The broken line representations in the views are for illustrative purposes only and form no part of the claimed design. Instead, these broken lines illustrate elements or features that form no part of the design to be patented.

1 Claim, 18 Drawing Sheets

(52) **U.S. Cl.**

CPC *H01H 9/283* (2013.01)

(58) **Field of Classification Search**

CPC H01H 9/00; H01H 9/283; H01H 9/286;
H01H 85/02; H01H 85/0208; H01H
85/24; H01R 13/44; H01R 13/443; H01R
13/465

See application file for complete search history.

(56) **References Cited**

U.S. PATENT DOCUMENTS

6,703,572 B1 * 3/2004 Broghammer H01H 9/282
200/43.11
D535,629 S * 1/2007 Kalous D13/178

D562,266 S *	2/2008	Schnackenberg	D13/175
D564,337 S *	3/2008	Brojanac	D13/178
D564,859 S *	3/2008	Brojanac	D13/178
7,501,593 B2 *	3/2009	Brojanac	H01H 9/283 200/43.14
D615,393 S *	5/2010	Cunningham, Jr.	D8/394
D663,604 S *	7/2012	Rohde	D8/331
D663,605 S *	7/2012	Rohde	D8/331
8,629,359 B2 *	1/2014	Hackett	H01H 9/283 200/43.14
D708,152 S *	7/2014	Dixon	D13/169
D713,358 S *	9/2014	Gauchier	D13/156
D720,705 S *	1/2015	Gratz	D13/177
D721,045 S *	1/2015	Gratz	D13/173
D798,246 S *	9/2017	Benda	D13/178
D808,345 S *	1/2018	Benda	D13/178
D808,346 S *	1/2018	Benda	D13/178
D808,347 S *	1/2018	Benda	D13/178
D845,257 S *	4/2019	Benda	D13/178
10,354,812 B1 *	7/2019	Enger	H01H 9/283
D914,618 S *	3/2021	Neau	D13/178
2004/0040824 A1 *	3/2004	Benda	H01H 9/283 200/43.14
2006/0266631 A1 *	11/2006	Kalous	H01H 9/283 200/43.14
2014/0102865 A1 *	4/2014	Obenshain	H01H 9/283 200/43.11
2014/0165384 A1 *	6/2014	Dudgeon	H01H 9/283 29/622
2016/0336122 A1 *	11/2016	Benda	H01H 9/283
2019/0371541 A1 *	12/2019	Riepe	H01H 9/283

* cited by examiner

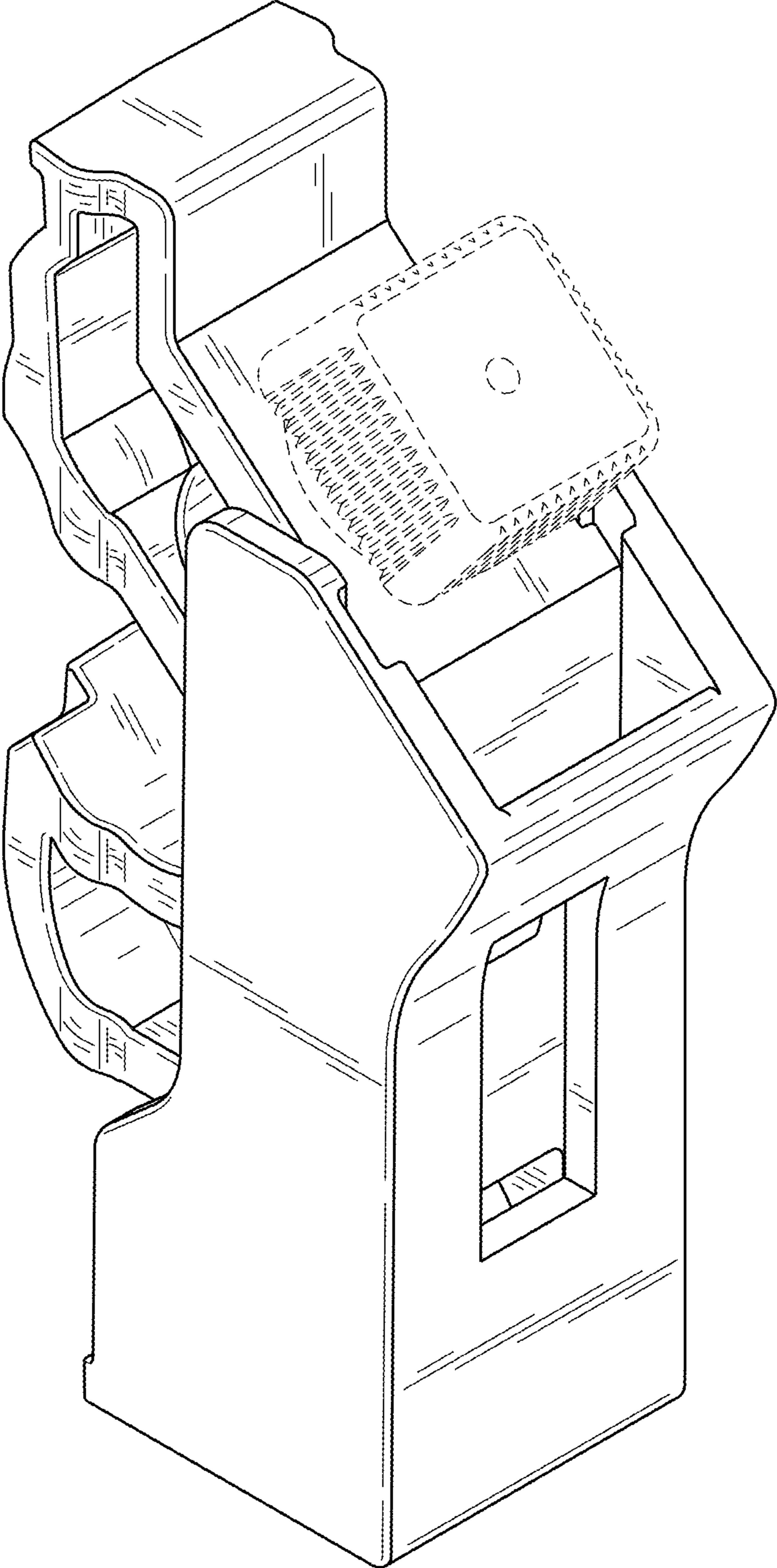


FIG. 1

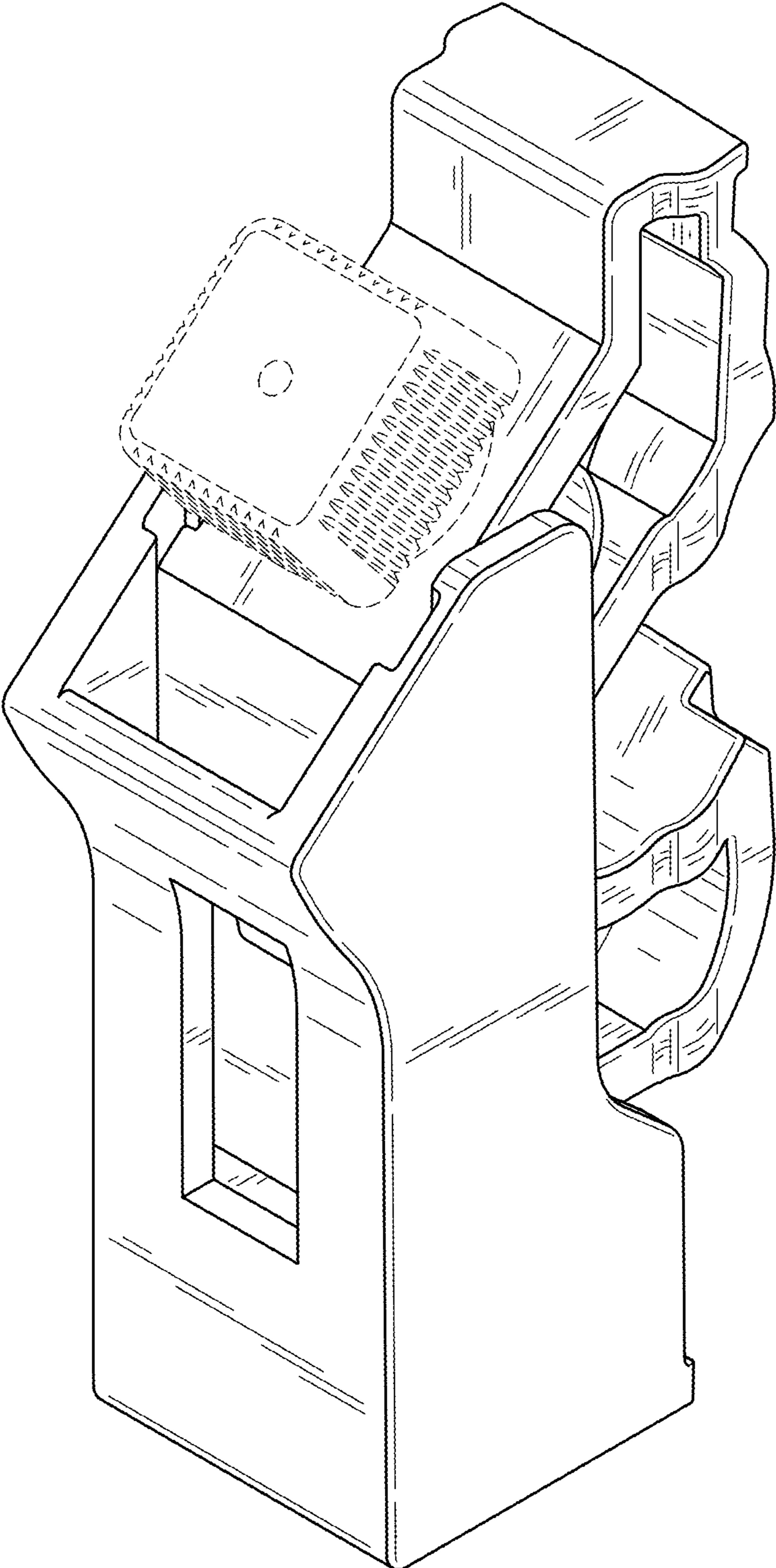


FIG. 2

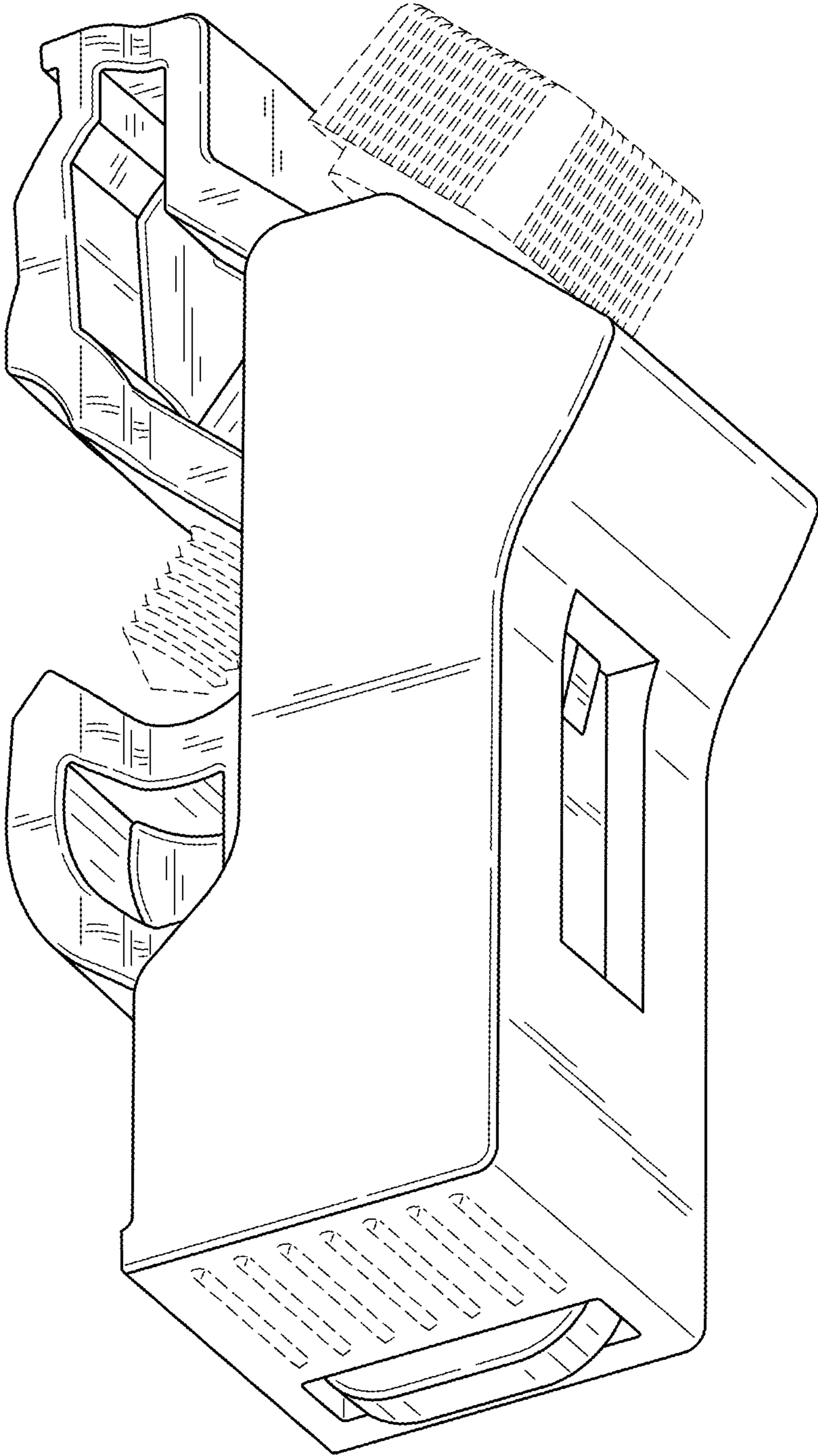


FIG. 3

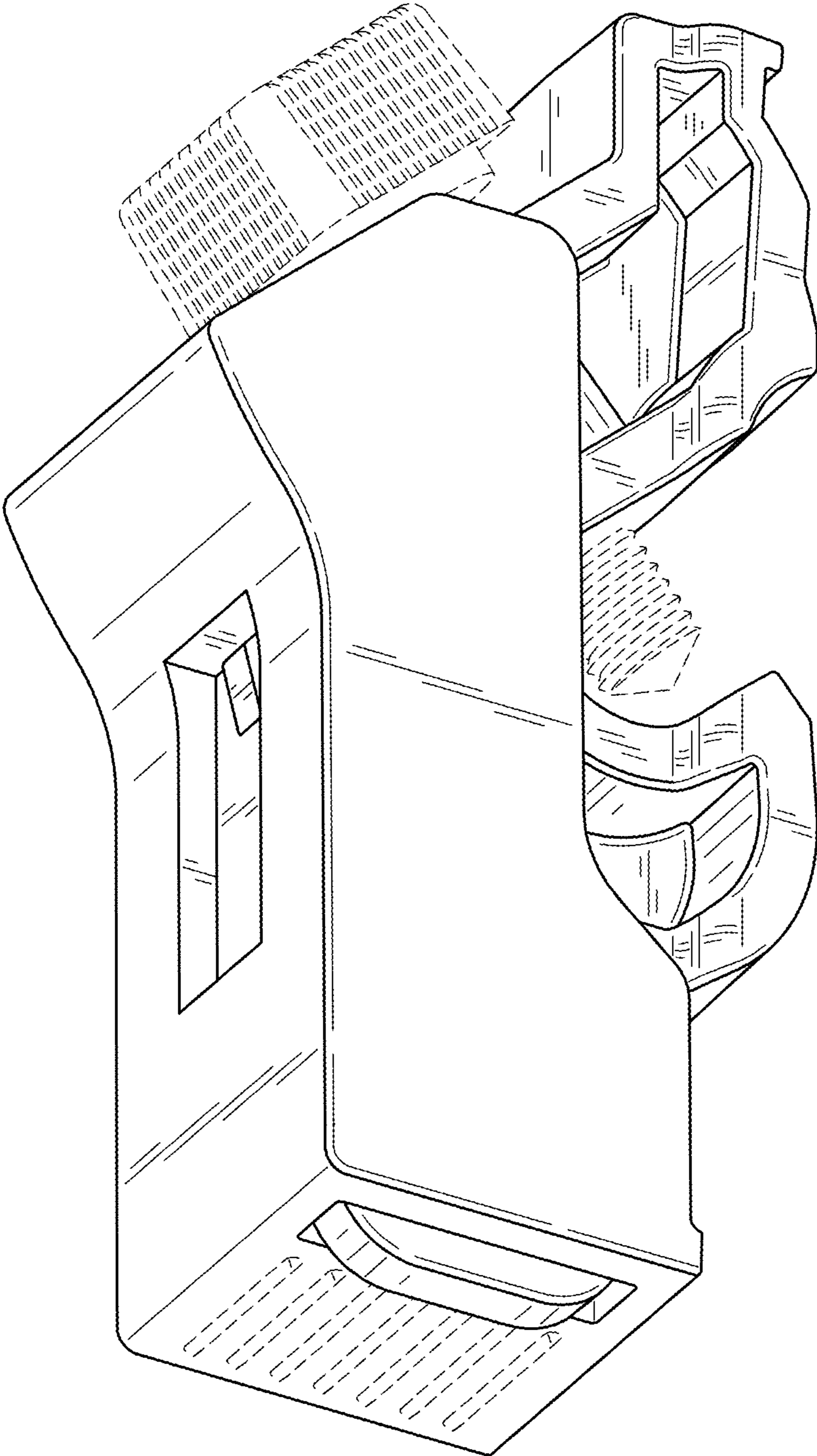


FIG. 4

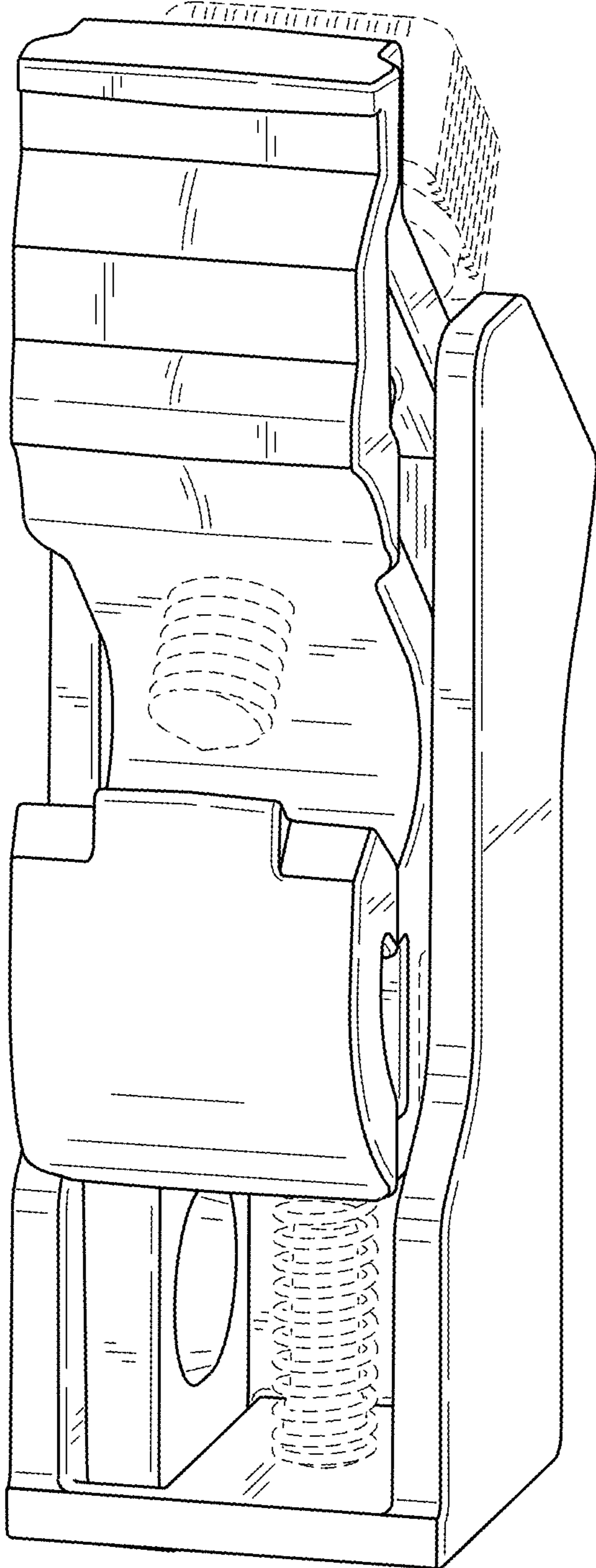


FIG. 5

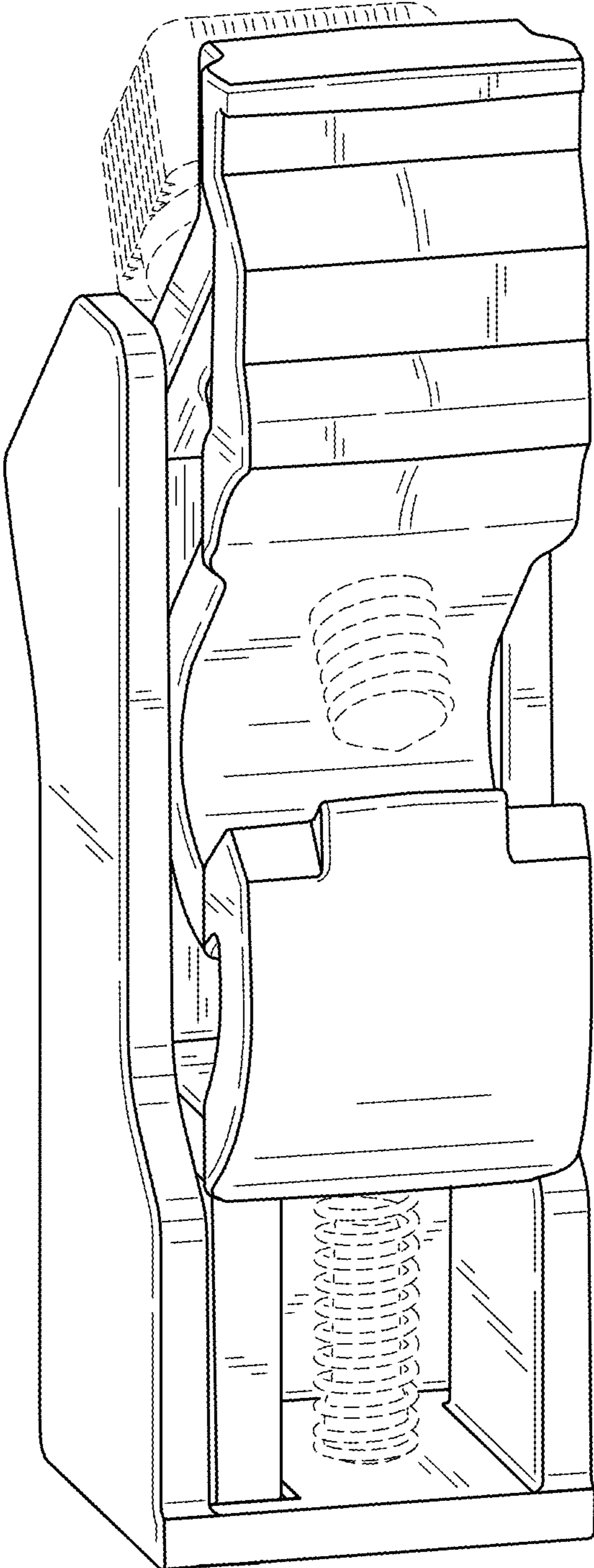


FIG. 6

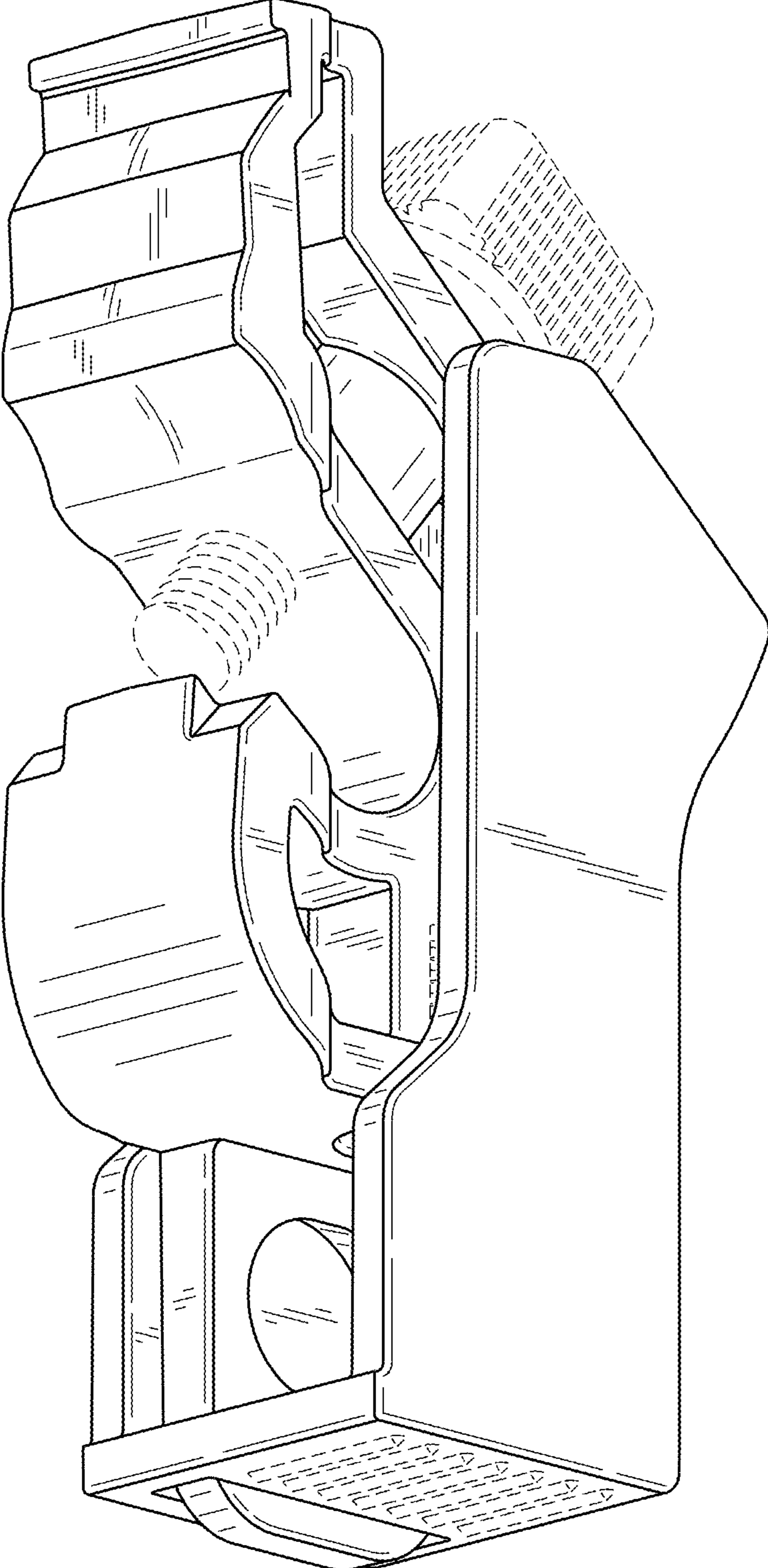


FIG. 7

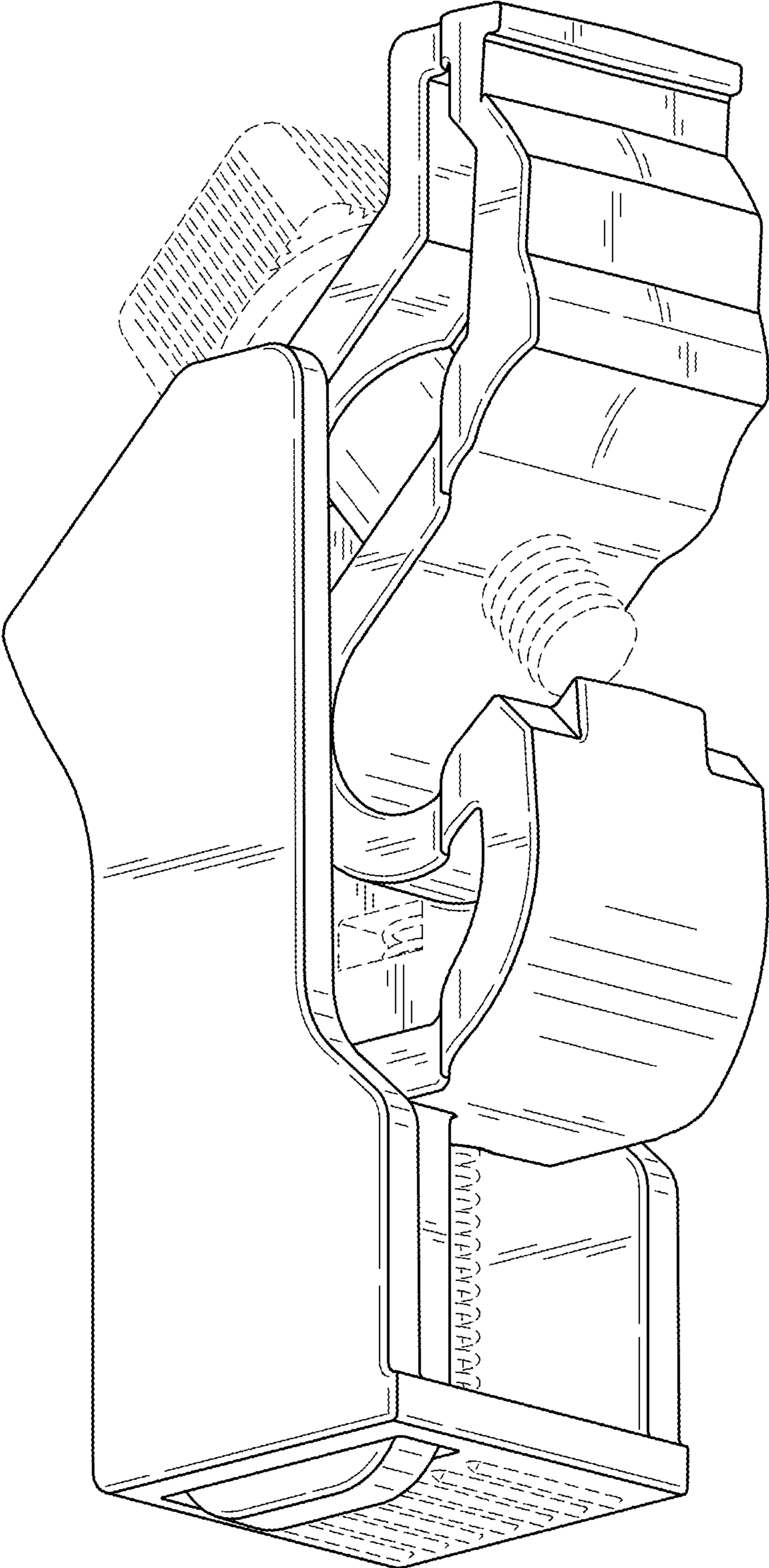


FIG. 8

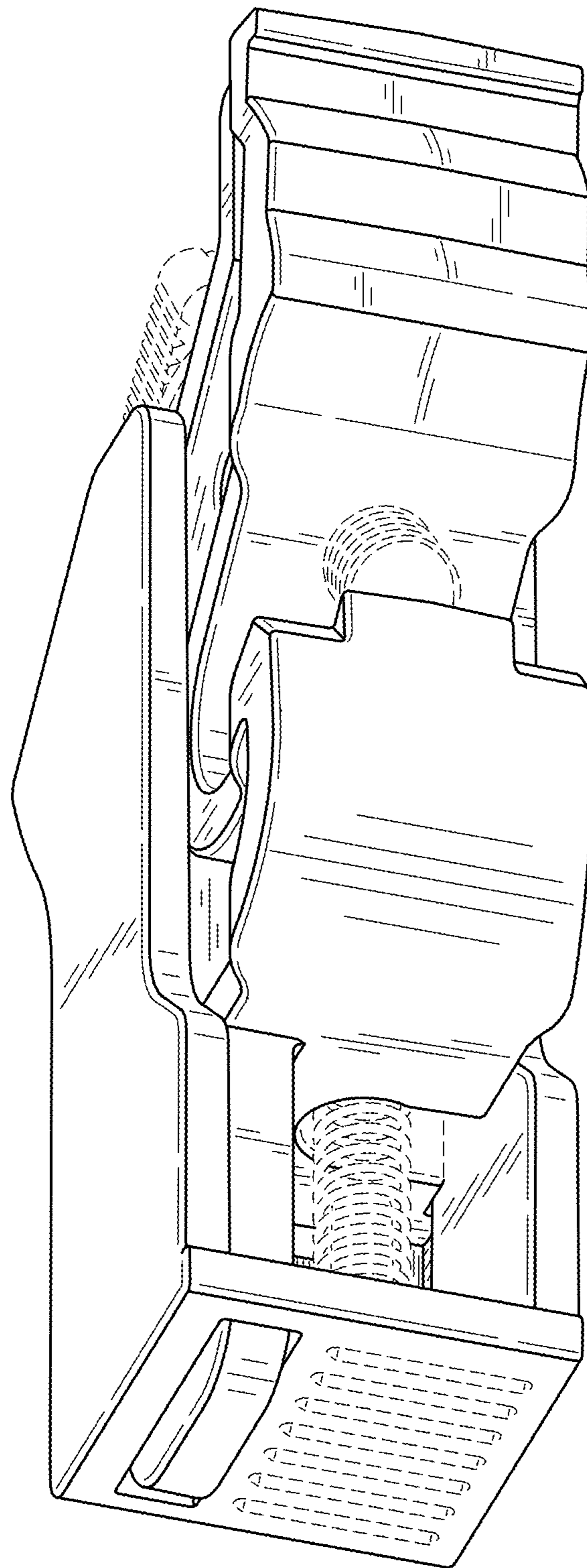


FIG. 9

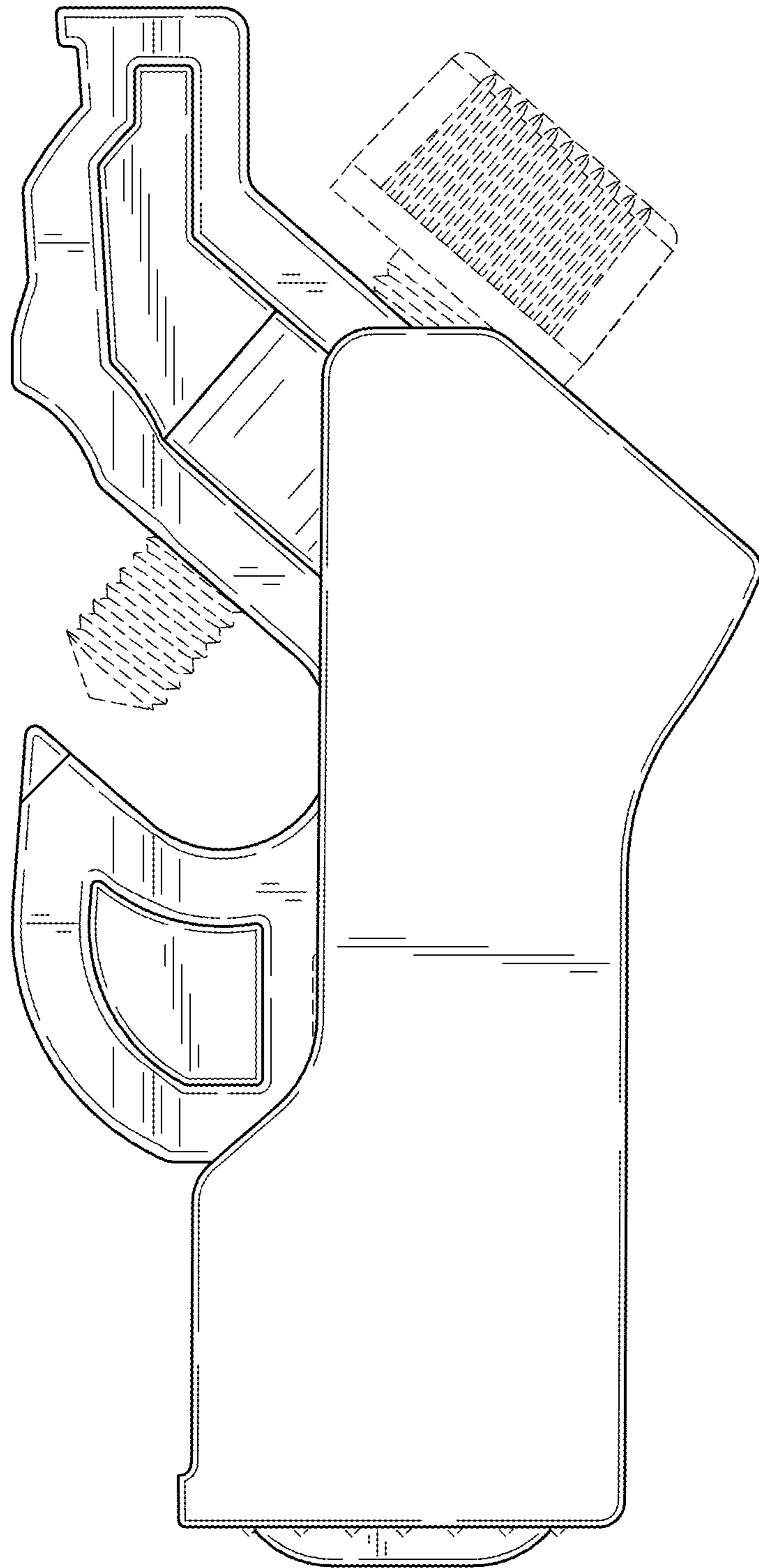


FIG. 10

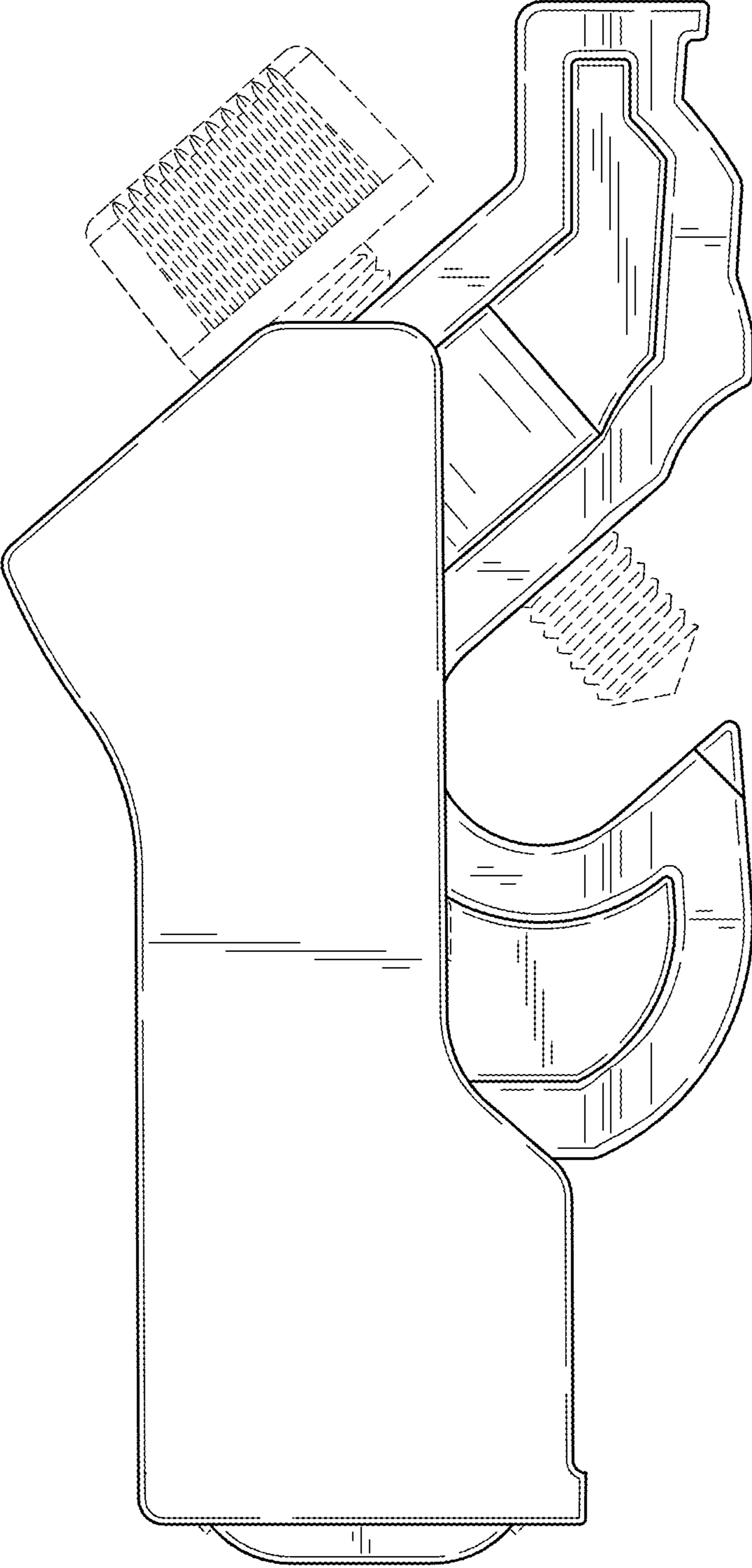


FIG. 11

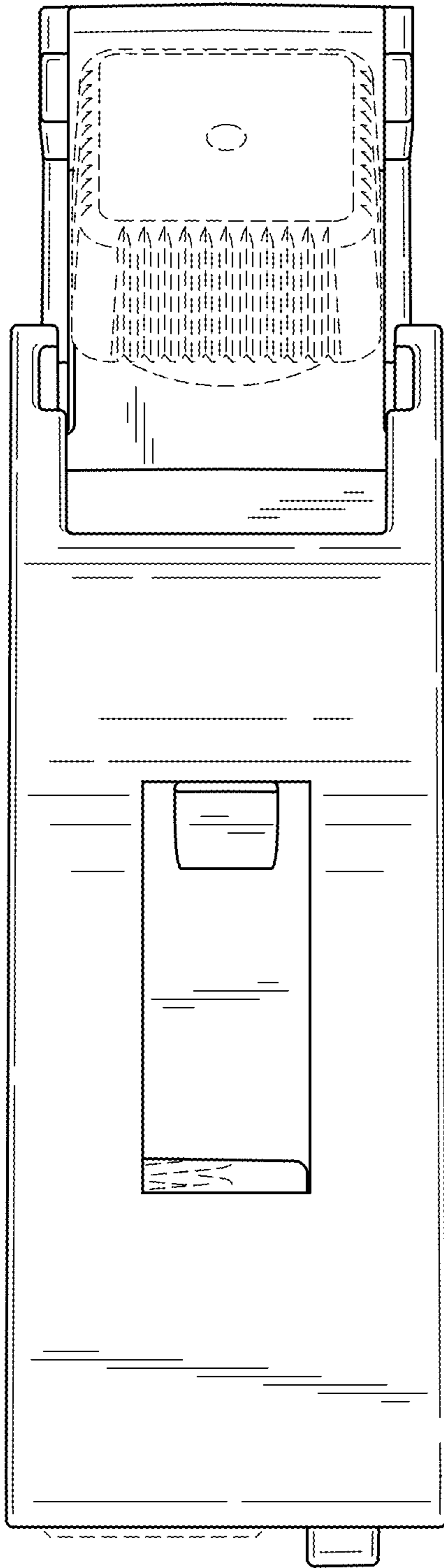


FIG. 12

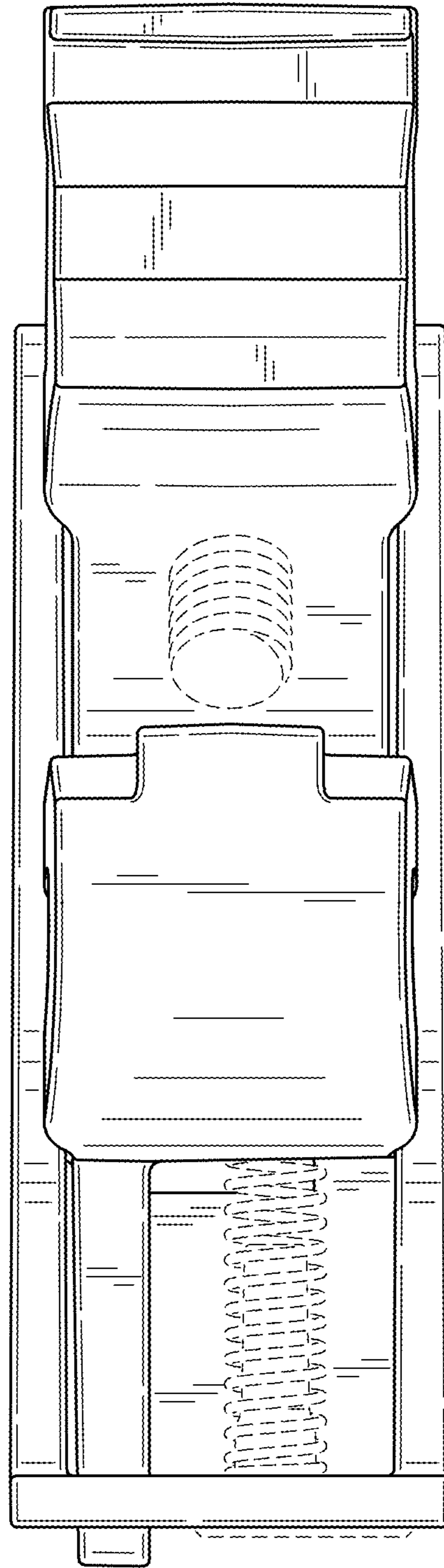


FIG. 13

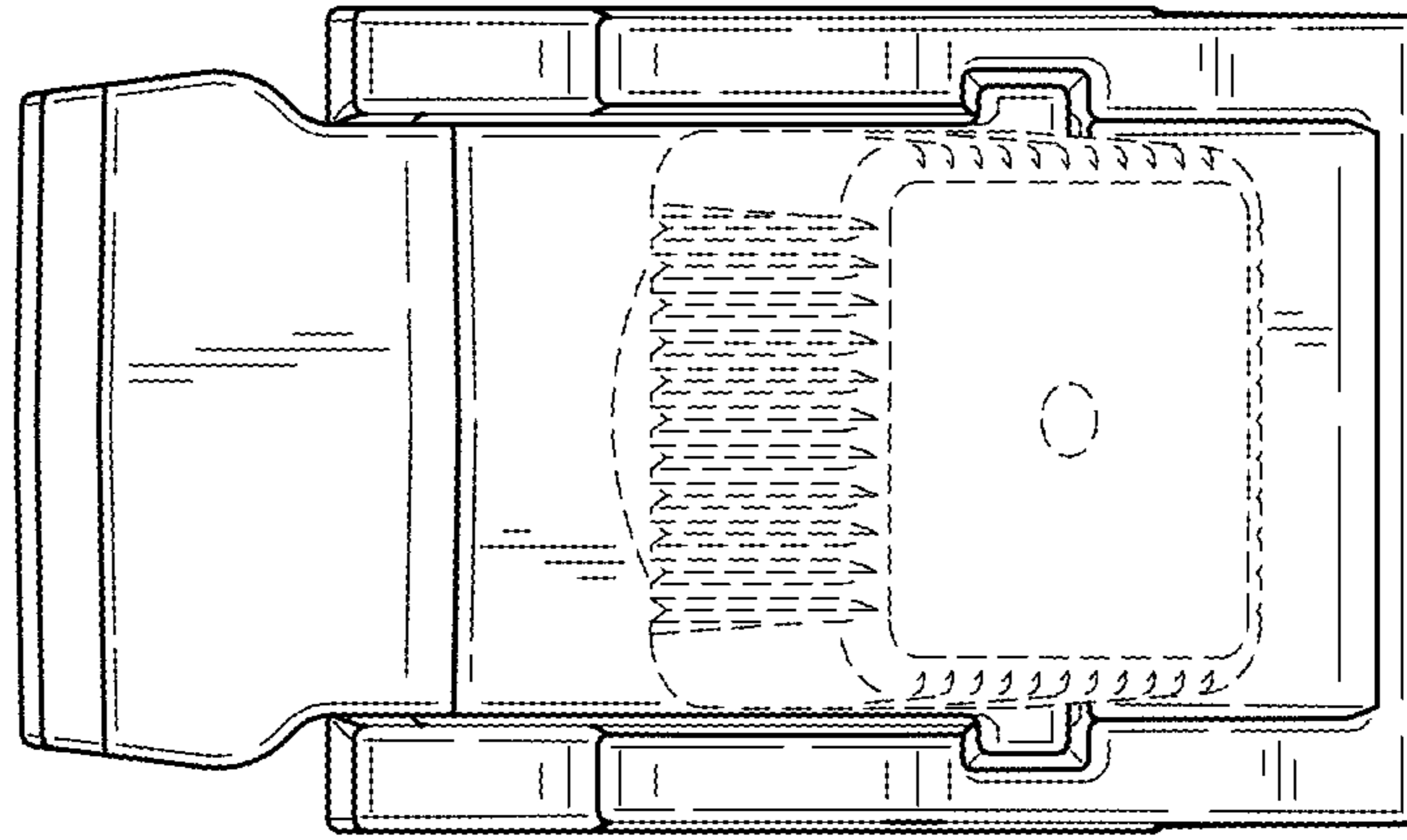


FIG. 14

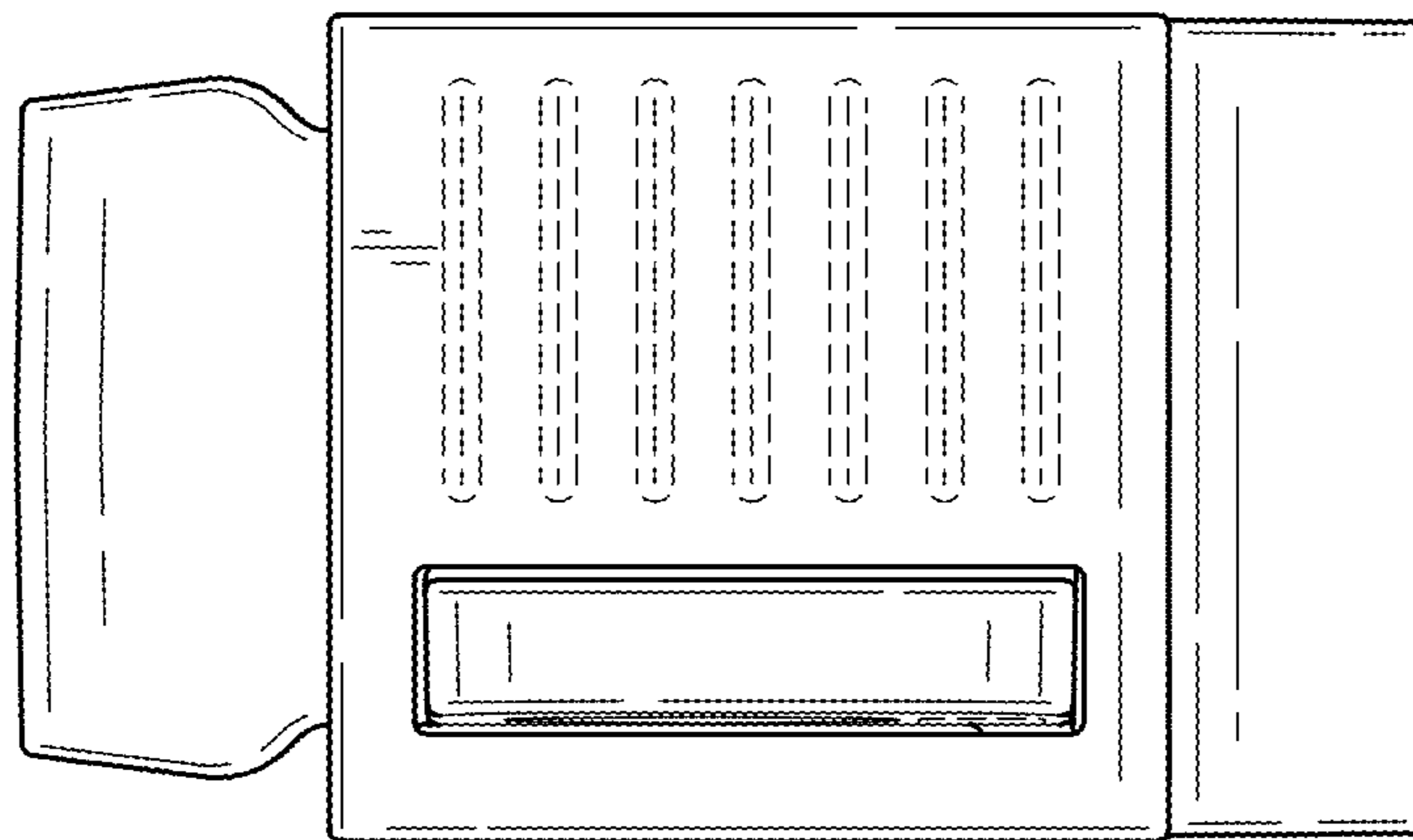


FIG. 15

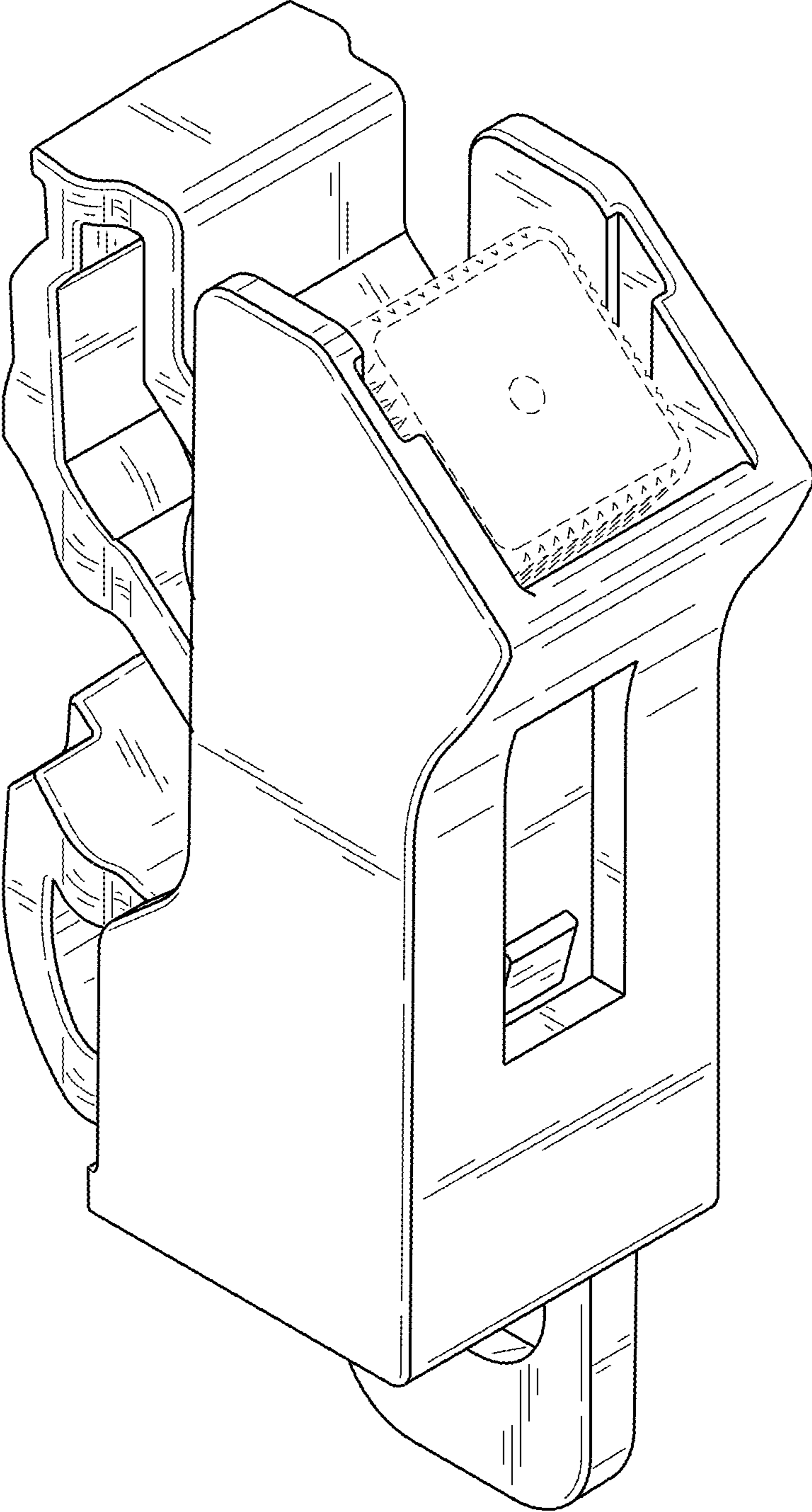


FIG. 16

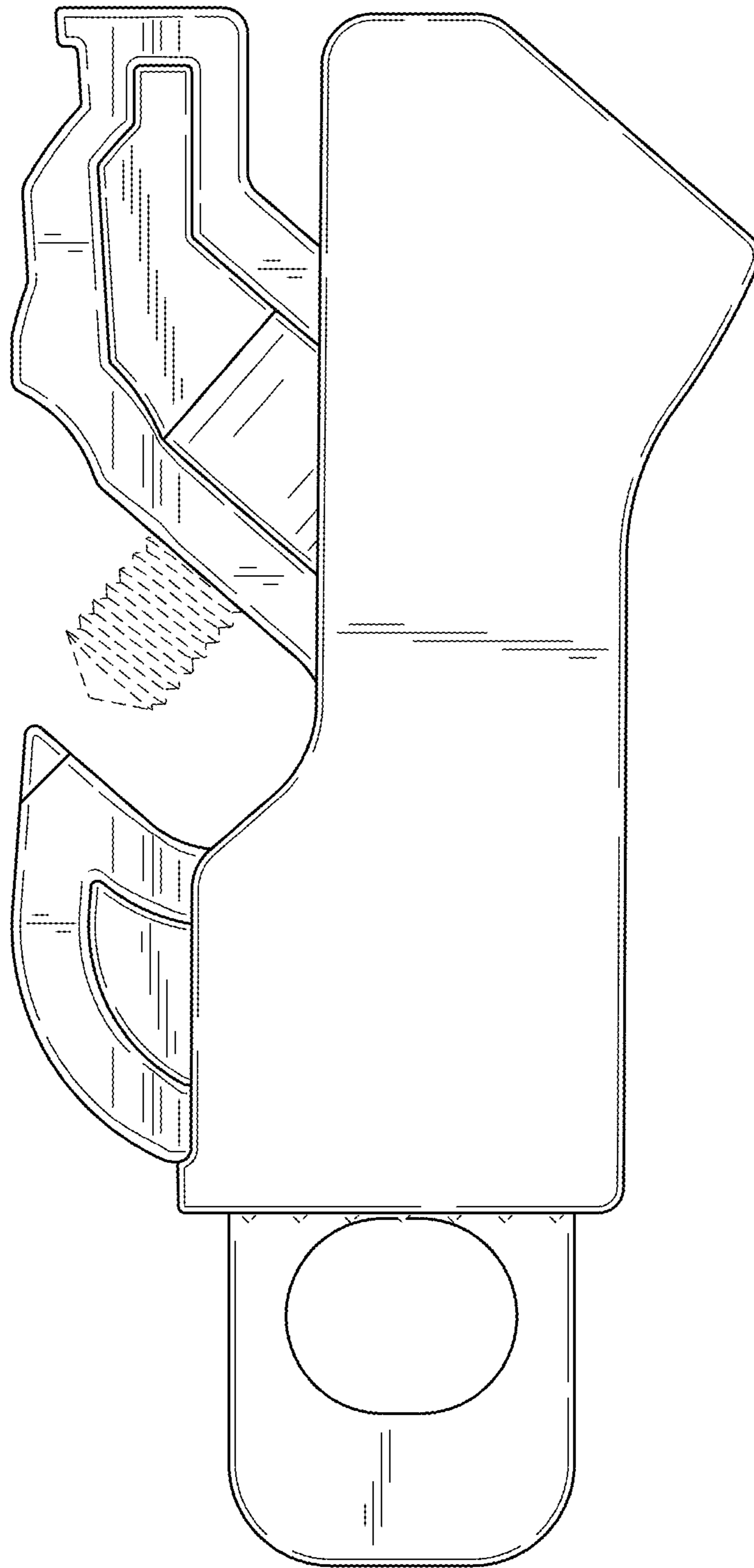


FIG. 17

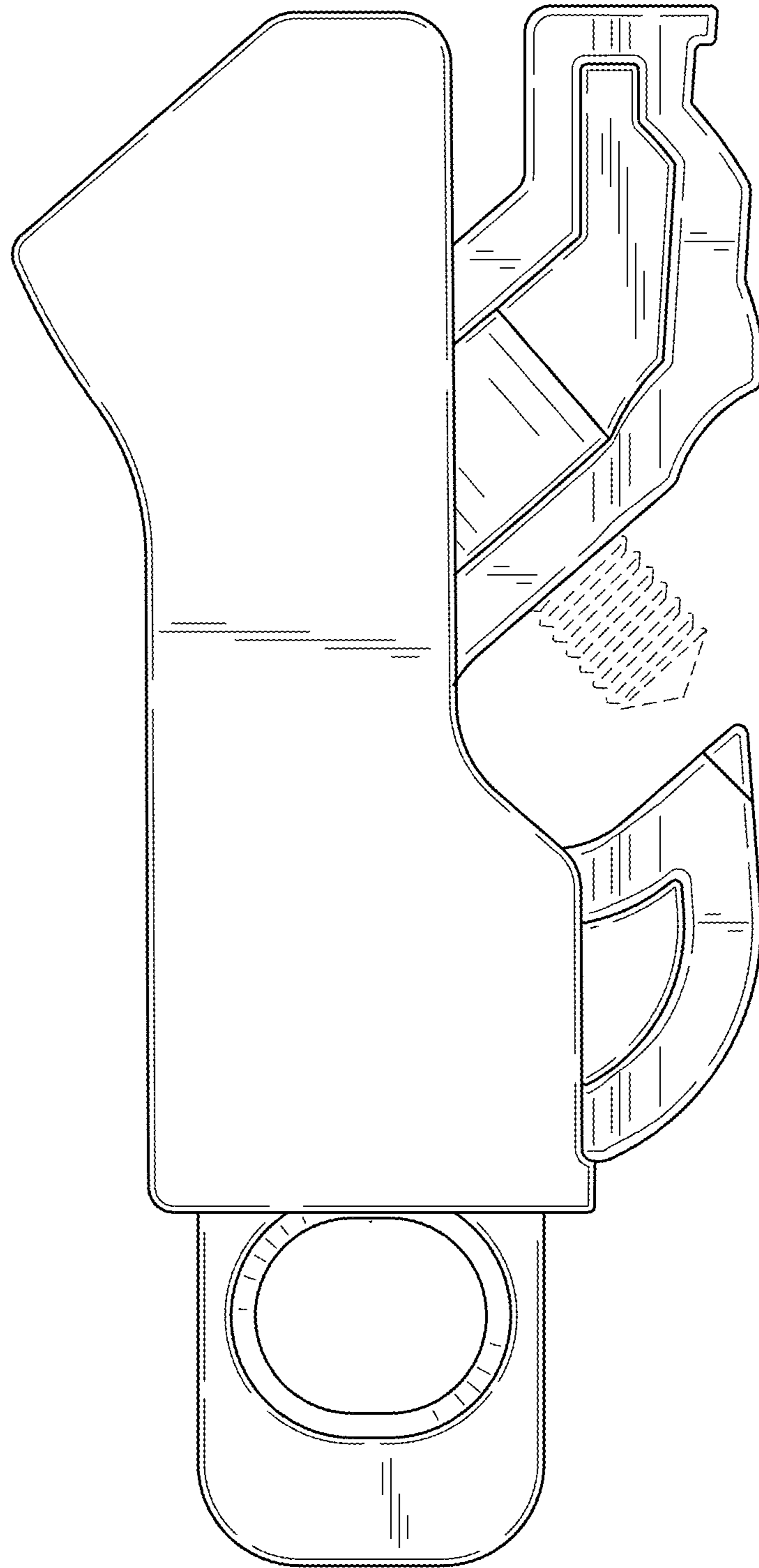


FIG. 18

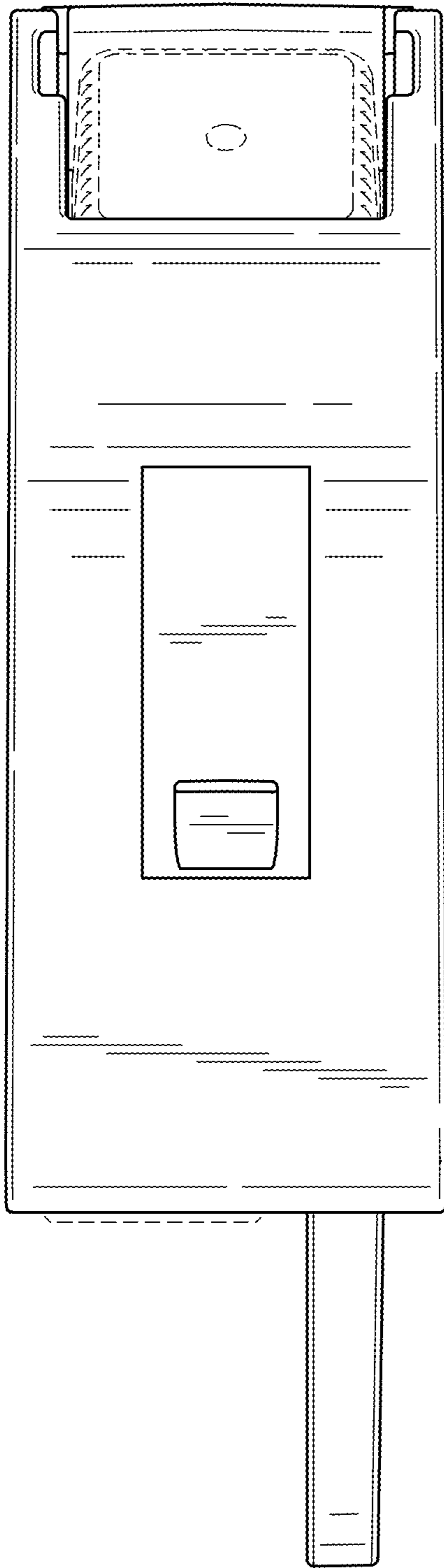


FIG. 19

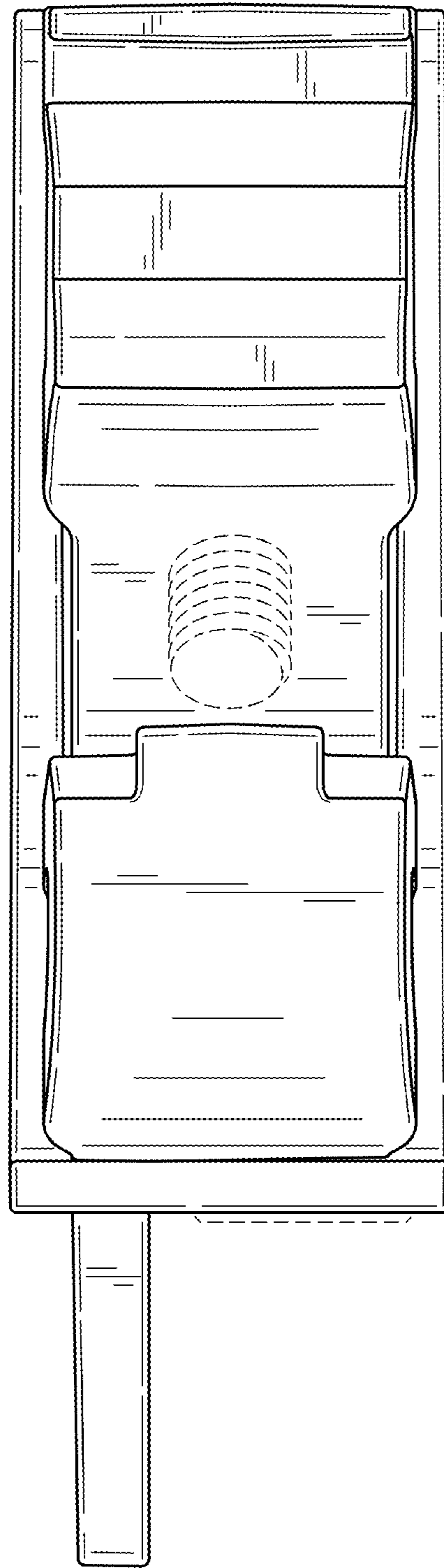


FIG. 20

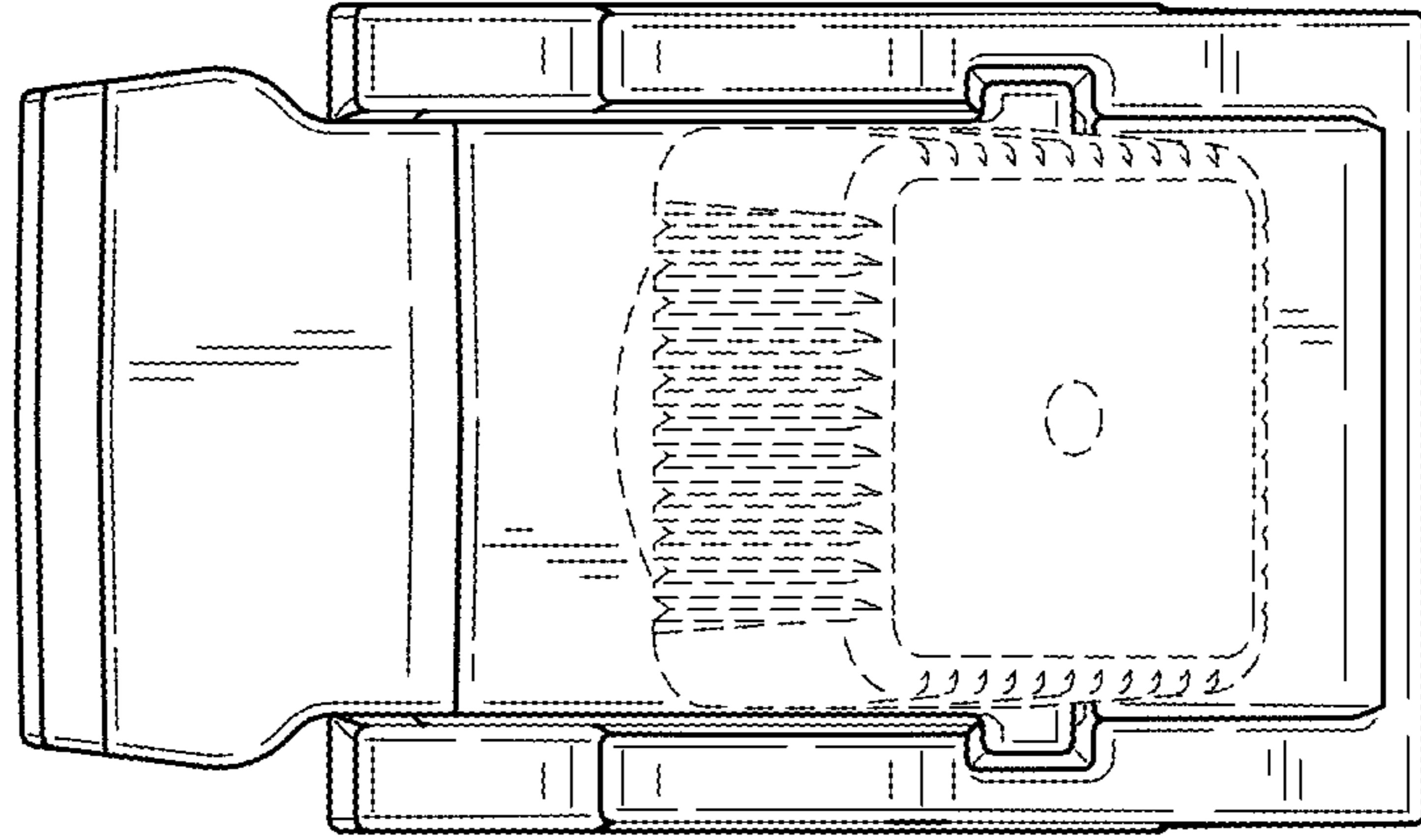


FIG. 21

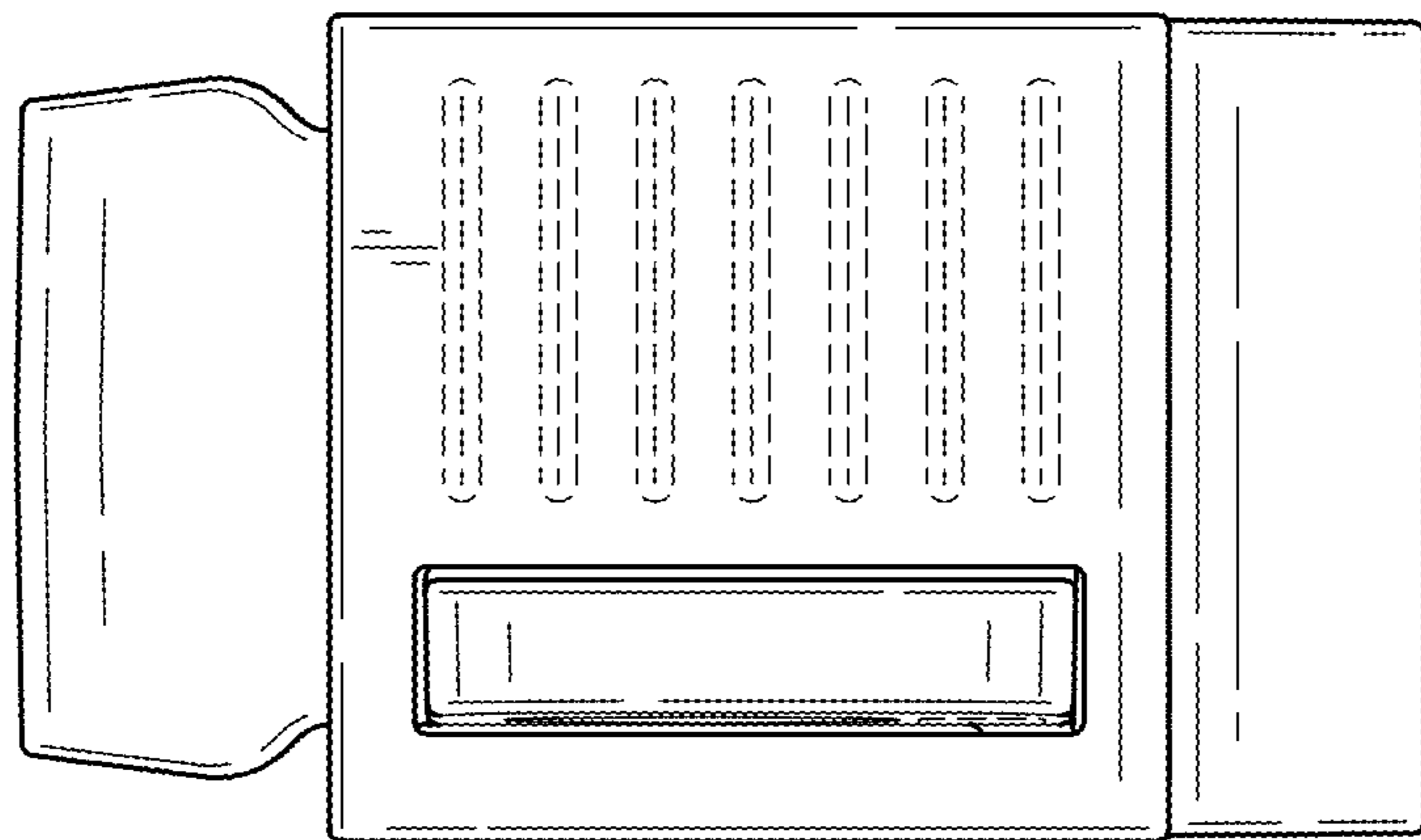


FIG. 22