



US00D934817S

(12) **United States Design Patent** (10) **Patent No.:** **US D934,817 S**
Svärd (45) **Date of Patent:** **** Nov. 2, 2021**

(54) **KEY**
(71) Applicant: **iLOQ Oy**, Oulu (FI)
(72) Inventor: **Kirsi Svärd**, Oulu (FI)
(73) Assignee: **ILOQ OY**, Oulu (FI)
(**) Term: **15 Years**
(21) Appl. No.: **35/508,758**
(22) Filed: **Aug. 19, 2019**

D692,796 S * 11/2013 Medsker D11/221
D780,436 S * 3/2017 Fraser D3/207
D881,162 S * 4/2020 Zhu D14/218
D888,410 S * 6/2020 Jacob D3/207
D892,493 S * 8/2020 Carson D3/207
D896,365 S * 9/2020 Sipe D24/108
D901,446 S * 11/2020 Lee D14/218
D902,505 S * 11/2020 Yeung D30/160
D907,007 S * 1/2021 Chen D14/218
D917,424 S * 4/2021 Liu D14/218
D918,176 S * 5/2021 Natsume D14/218
D922,760 S * 6/2021 Jacob D3/207
2015/0075235 A1 * 3/2015 Kananen E05B 47/0611
70/283.1

(80) **Hague Agreement Data**
Int. Filing Date: **Aug. 19, 2019**
Int. Reg. No.: **DM/206144**
Int. Reg. Date: **Aug. 19, 2019**
Int. Reg. Pub. Date: **Mar. 6, 2020**

* cited by examiner

Primary Examiner — Bao-Yen T Nguyen
(74) *Attorney, Agent, or Firm* — Nixon & Vanderhye PC

(30) **Foreign Application Priority Data**

Feb. 20, 2019 (EM) 006261798

(51) **LOC (13) Cl.** **14-03**
(52) **U.S. Cl.**
USPC **D13/168; D3/207**

(57) **CLAIM**

The ornamental design for a key, as shown and described.

(58) **Field of Classification Search**
USPC D3/207-212; D14/218; D13/168;
D10/104.1, 106.1, 106.9
CPC A44B 11/25; A47G 29/10; A45C 11/32;
F45F 5/02; G02C 5/008; A45F 5/00;
E05B 19/0085
See application file for complete search history.

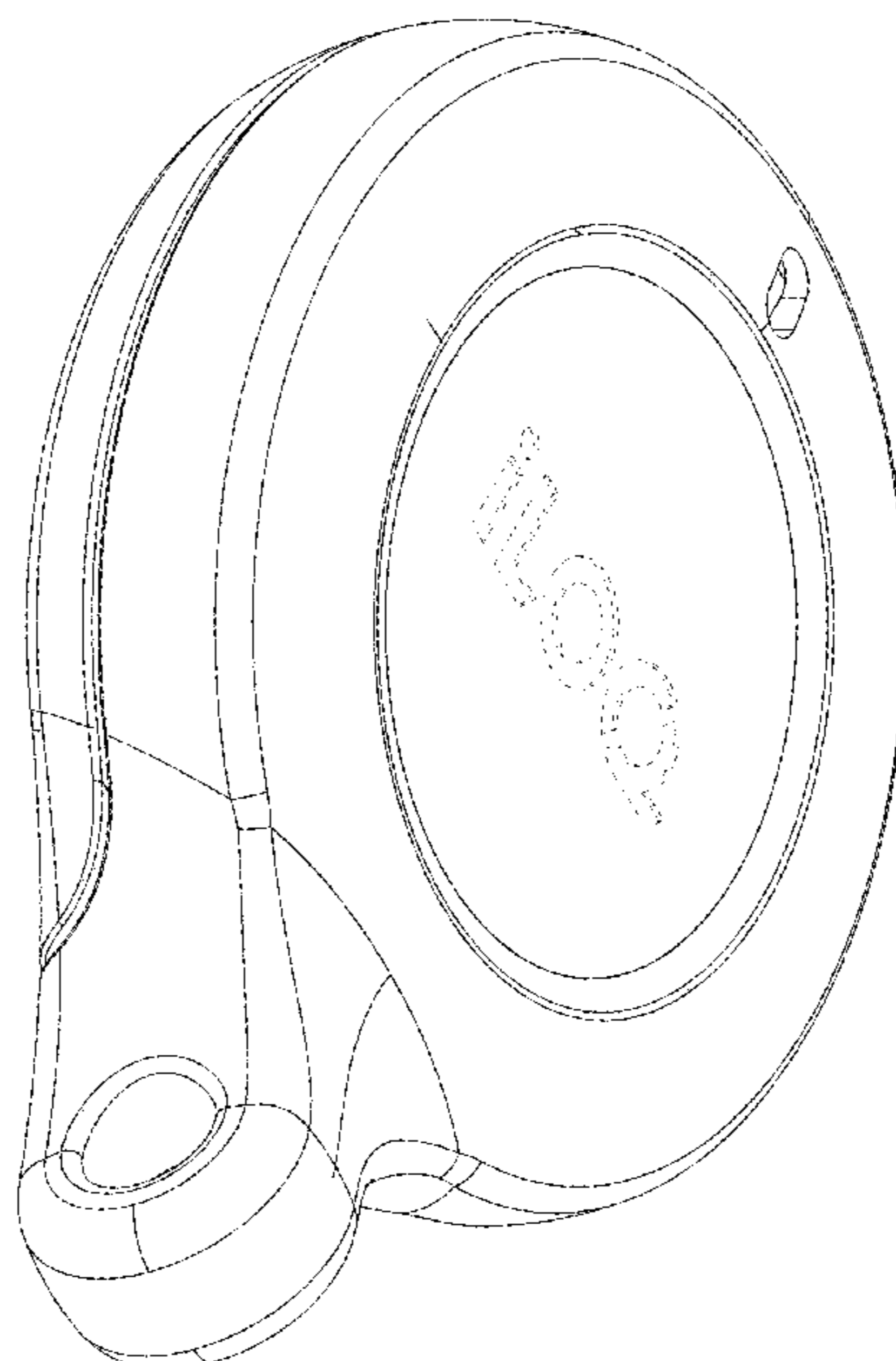
DESCRIPTION

Fig. 1.1 is a perspective view of a key according to my new design;
Fig. 1.2 is a front view thereof;
Fig. 1.3 is a rear view thereof;
Fig. 1.4 is a top plan view thereof;
Fig. 1.5 is a bottom plan view thereof;
Fig. 1.6 is a left side view thereof; and
Fig. 1.7 is a right side view thereof.
The broken lines show portions of the key that form no part of the claimed design.

(56) **References Cited**
U.S. PATENT DOCUMENTS

D657,229 S * 4/2012 Chang D8/347
8,228,030 B2 * 7/2012 Pukari G07C 9/00309
320/114

1 Claim, 7 Drawing Sheets



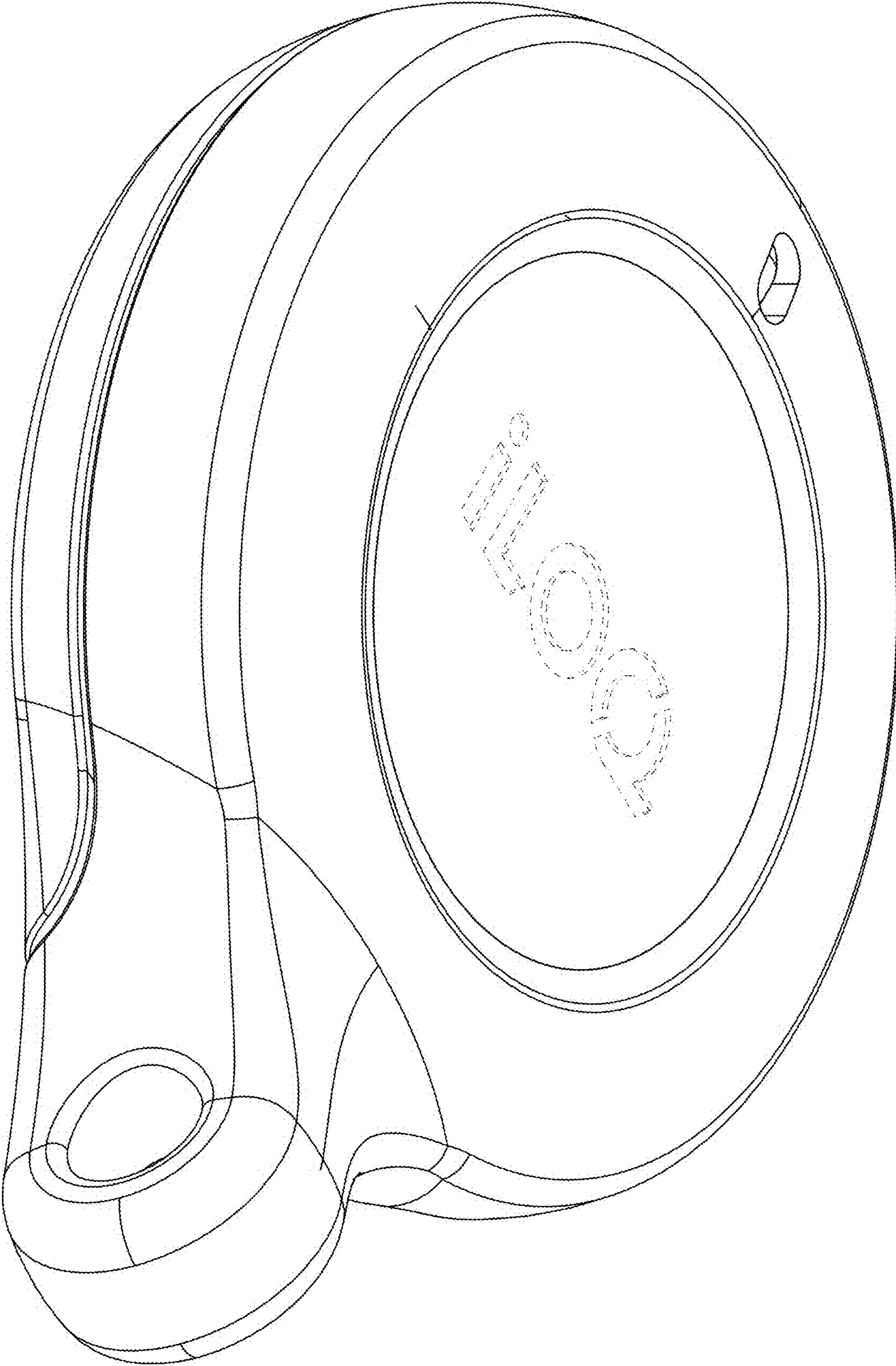


FIG. 1.1

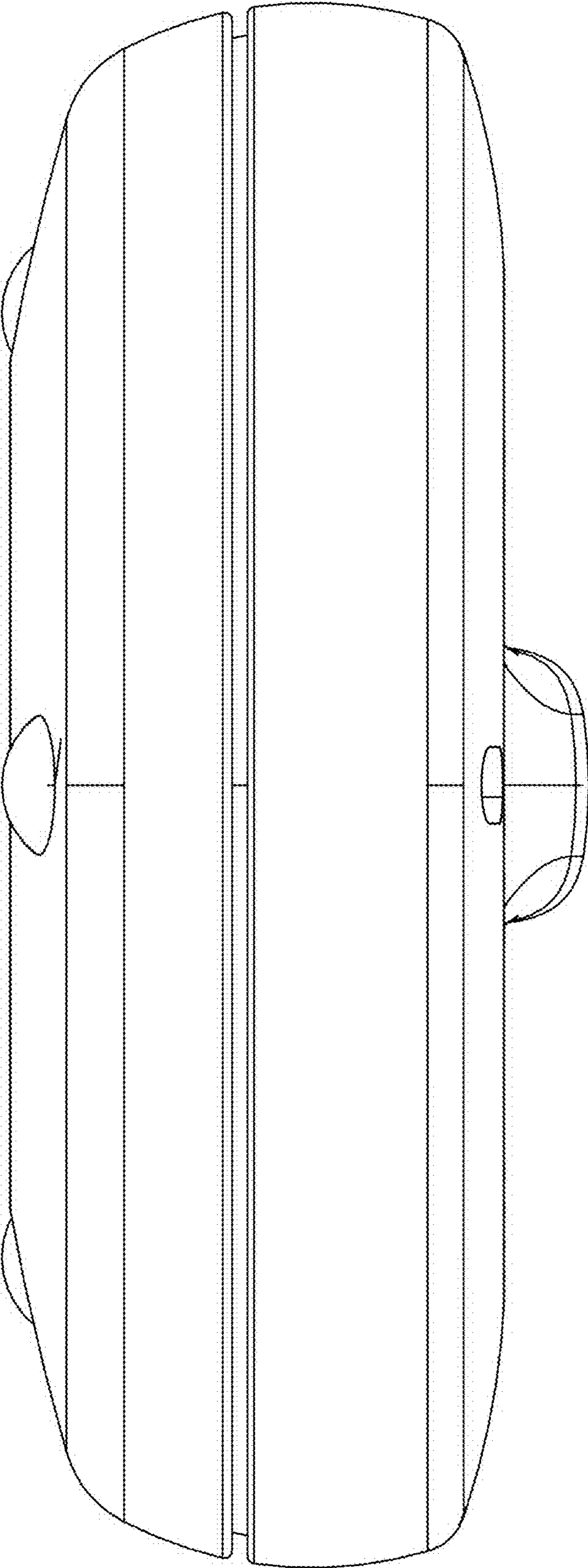


FIG. 1.2

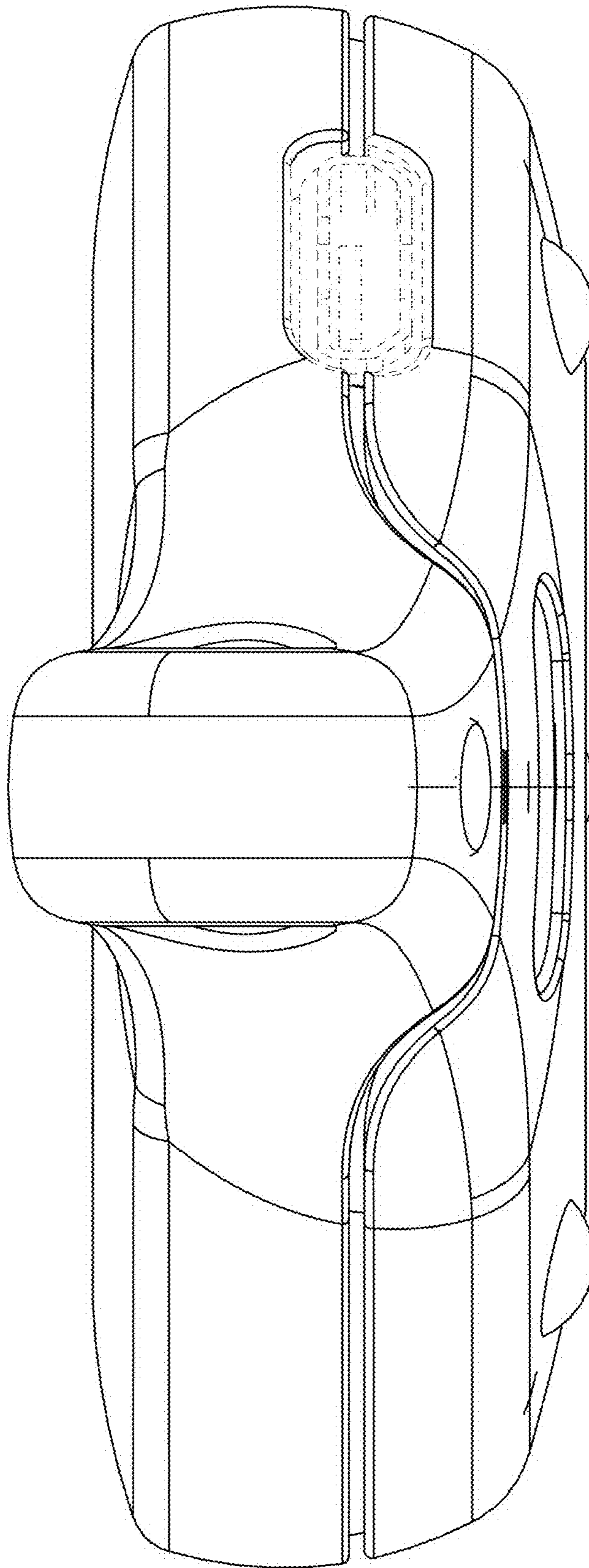


FIG. 1.3

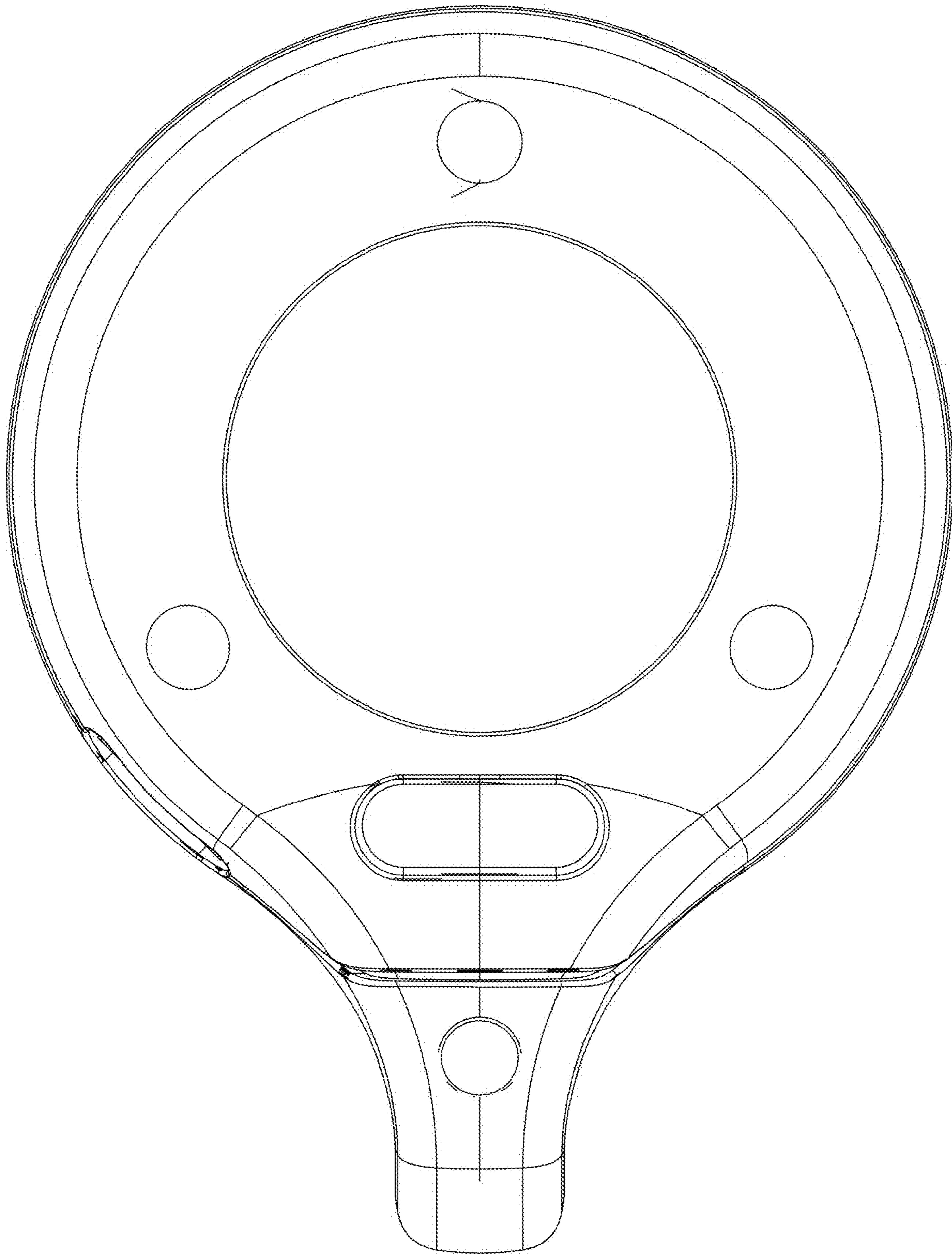


FIG. 1.4

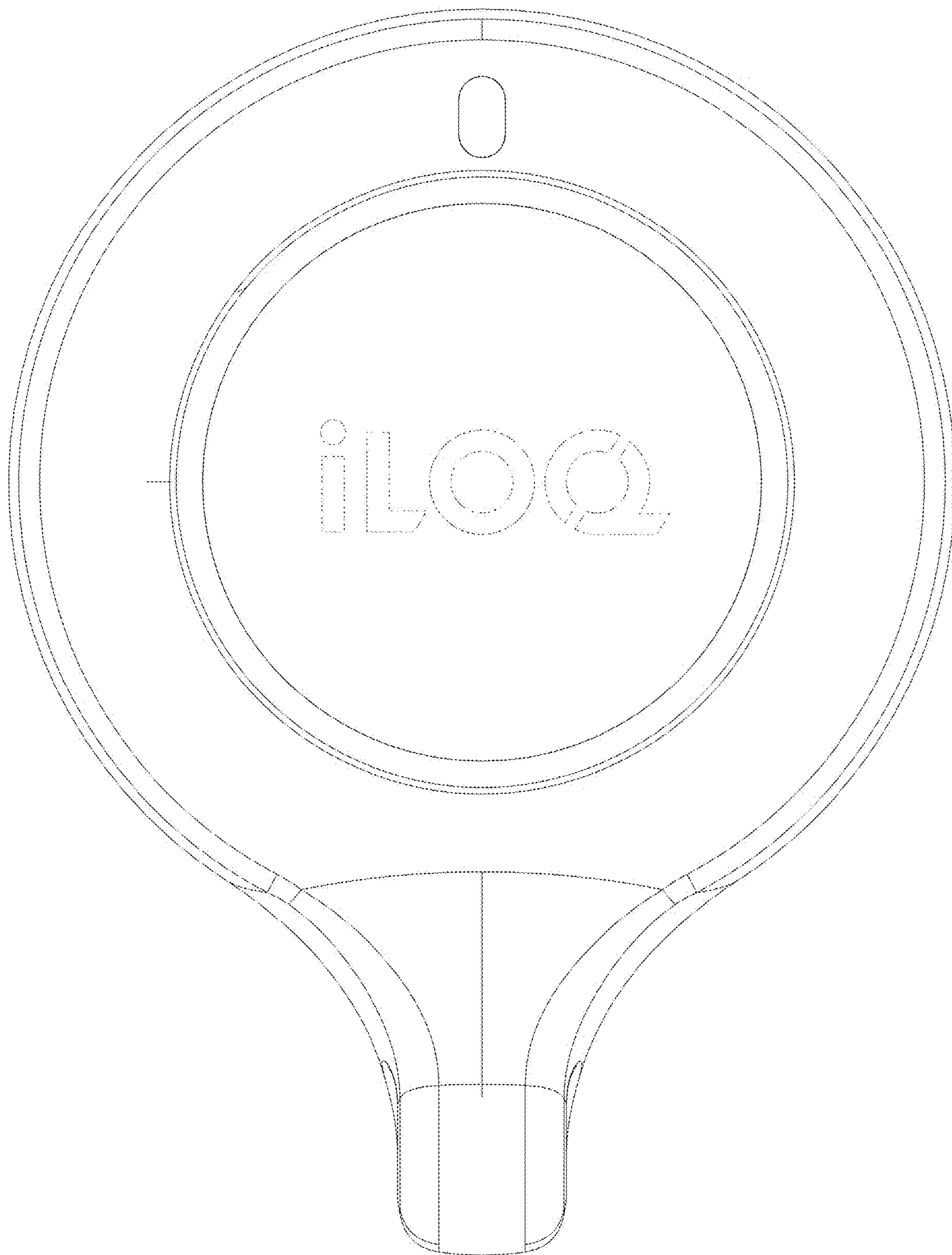


FIG. 1.5

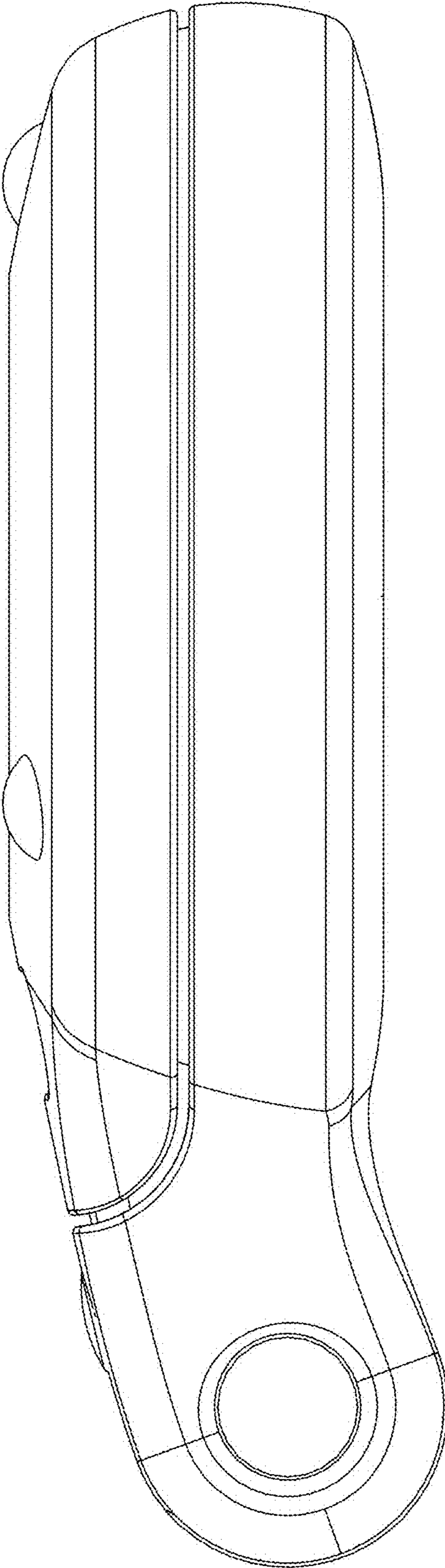


FIG. 1.6

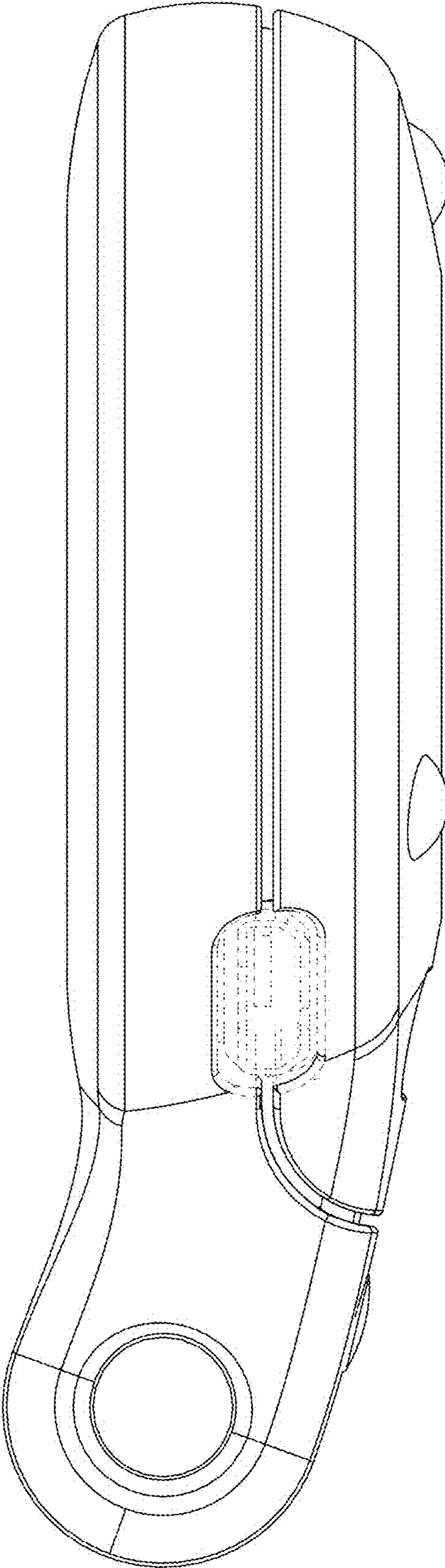


FIG. 1.7