



US00D934815S

(12) **United States Design Patent** (10) **Patent No.:** **US D934,815 S**
Burkell et al. (45) **Date of Patent:** **** Nov. 2, 2021**

- (54) **SYSTEM CONTROLLER ENCLOSURE** D358,365 S * 5/1995 Rodeffer D13/110
- (71) Applicant: **Transportation IP Holdings, LLC,** D425,483 S 5/2000 Bechtold et al.
Norwalk, CT (US) D443,586 S 6/2001 Sakasegawa
- (72) Inventors: **Neil William Burkell,** Lawrence Park, PA (US); **Wing Yeung Chung,** Erie, PA (US); **Neil Patrick Bradley,** Lawrence Park, PA (US); **Michael Kjelson,** Erie, PA (US); **Ronald Majewski,** Lawrence Park, PA (US) 6,257,599 B1 7/2001 Johnson et al.
6,634,910 B2 10/2003 Lieb et al.
6,802,737 B2 10/2004 Bergner et al.
D524,242 S * 7/2006 Adams D13/103
D544,836 S 6/2007 Sichner et al.
7,397,668 B2 7/2008 Sekine et al.
D576,562 S 9/2008 Kaluza
D593,962 S 6/2009 Ross et al.
7,619,898 B2 11/2009 Jensen
8,256,456 B2 9/2012 De Carolis et al.
D688,212 S 8/2013 Scheucher
D705,742 S 5/2014 Schneider et al.
D744,956 S 12/2015 Sekine et al.
D752,510 S * 3/2016 Lin D13/103
D763,201 S 8/2016 Burkell et al.
D785,574 S * 5/2017 Wu D13/162
- (73) Assignee: **Transportation IP Holdings, LLC,** Norwalk, CT (US)
- (**) Term: **15 Years**

(21) Appl. No.: **29/698,038**
(22) Filed: **Jul. 12, 2019**

Related U.S. Application Data

(62) Division of application No. 29/624,860, filed on Nov. 3, 2017, now Pat. No. Des. 859,324, which is a division of application No. 29/570,356, filed on Jul. 7, 2016, now Pat. No. Des. 804,432, which is a division of application No. 29/500,900, filed on Aug. 29, 2014, now Pat. No. Des. 763,201.

(51) **LOC (13) Cl.** **13-03**
(52) **U.S. Cl.**
USPC **D13/162**

(58) **Field of Classification Search**
USPC D13/110, 123, 147, 162, 162.1, 164
CPC H01R 13/514; H05K 5/00; H05K 5/0026;
H05K 5/03; H05K 7/1462; H05K 7/1472
See application file for complete search history.

(56) **References Cited**

U.S. PATENT DOCUMENTS

D319,425 S 8/1991 Bibbiani
D355,887 S 2/1995 Rodeffer et al.

(Continued)

Primary Examiner — Selina Sikder
(74) *Attorney, Agent, or Firm* — McCoy Russell LLP

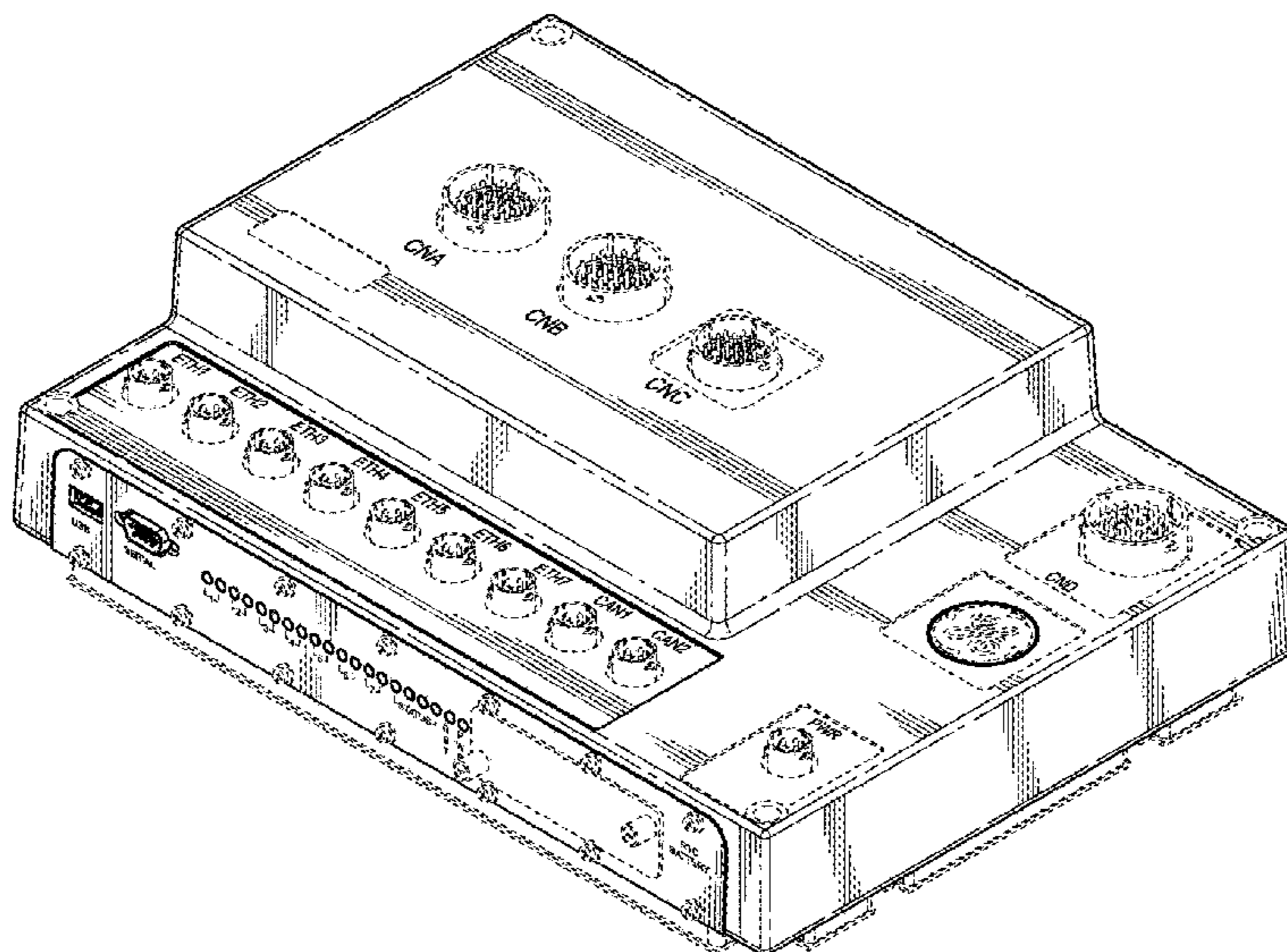
(57) **CLAIM**

The ornamental design for a system controller enclosure, as shown and described.

DESCRIPTION

FIG. 1 is a perspective view of a system controller enclosure depicting an embodiment of a new design; FIG. 2 is a front elevational view thereof; FIG. 3 is a rear elevational view thereof; FIG. 4 is a left side elevational view thereof; FIG. 5 is a right side elevational view thereof; FIG. 6 is a top plan view thereof; and, FIG. 7 is a bottom plan view thereof. The broken line portion of the figure drawings is included to show unclaimed subject matter only and forms no part of the claimed designs.

1 Claim, 4 Drawing Sheets



(56)

References Cited

U.S. PATENT DOCUMENTS

9,727,127 B2 * 8/2017 Apro H01R 13/5219
D804,432 S 12/2017 Burkell et al.
D837,152 S 1/2019 Wegerer et al.
D859,324 S * 9/2019 Burkell D13/162

* cited by examiner

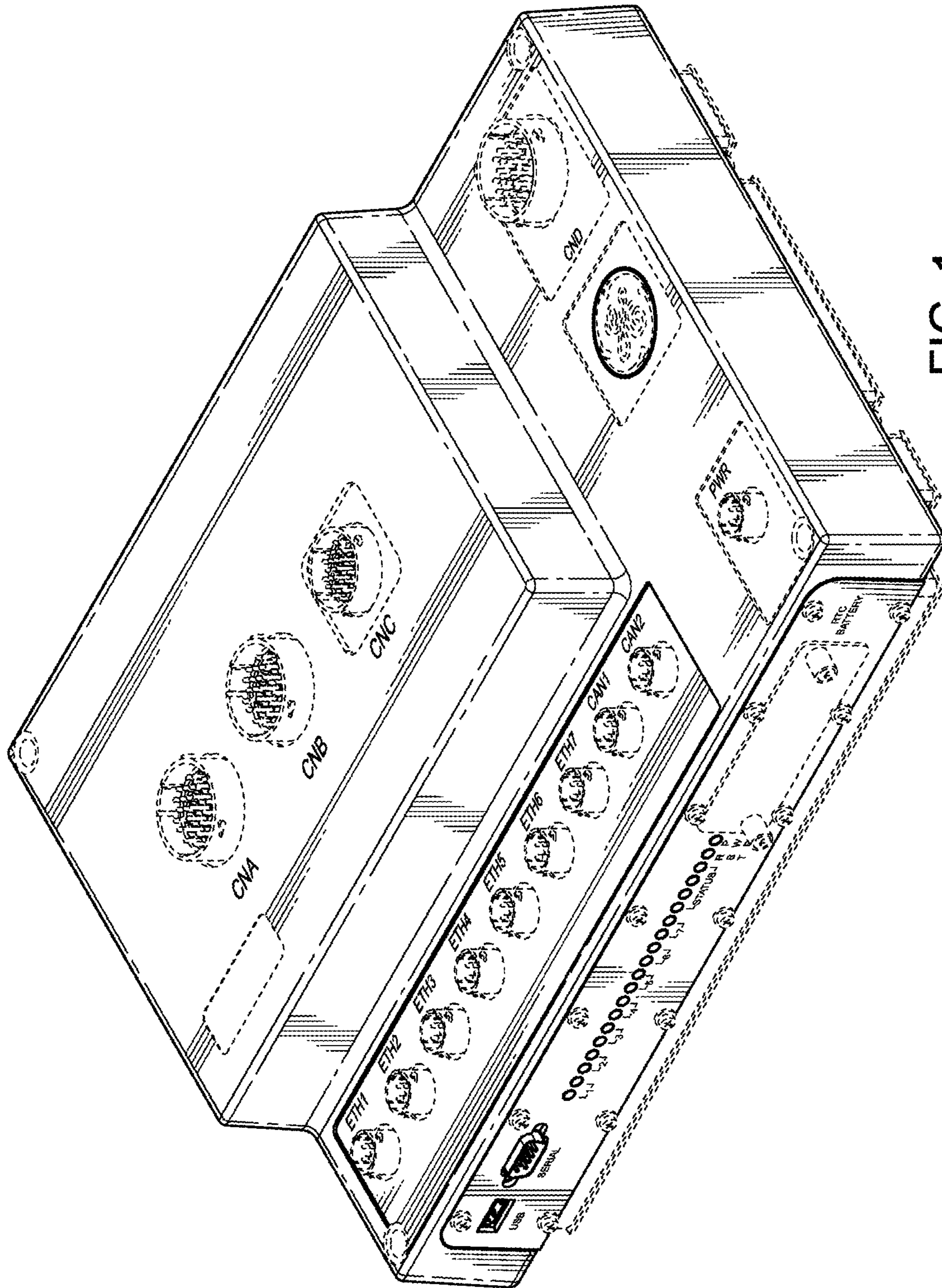


FIG. 1

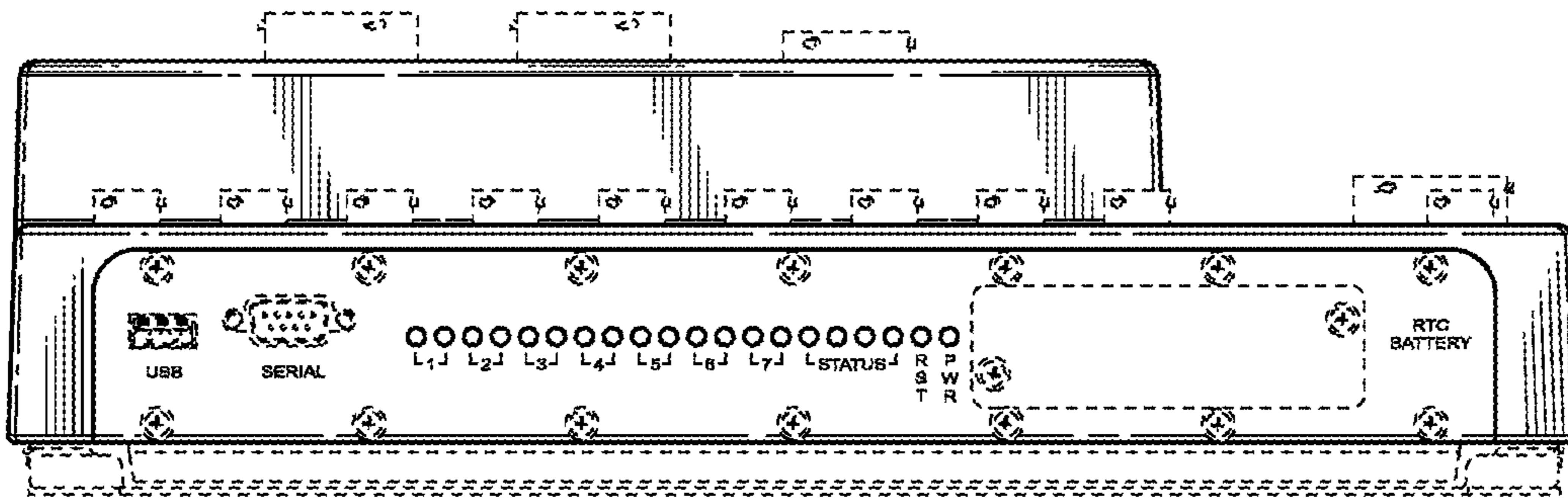


FIG. 2

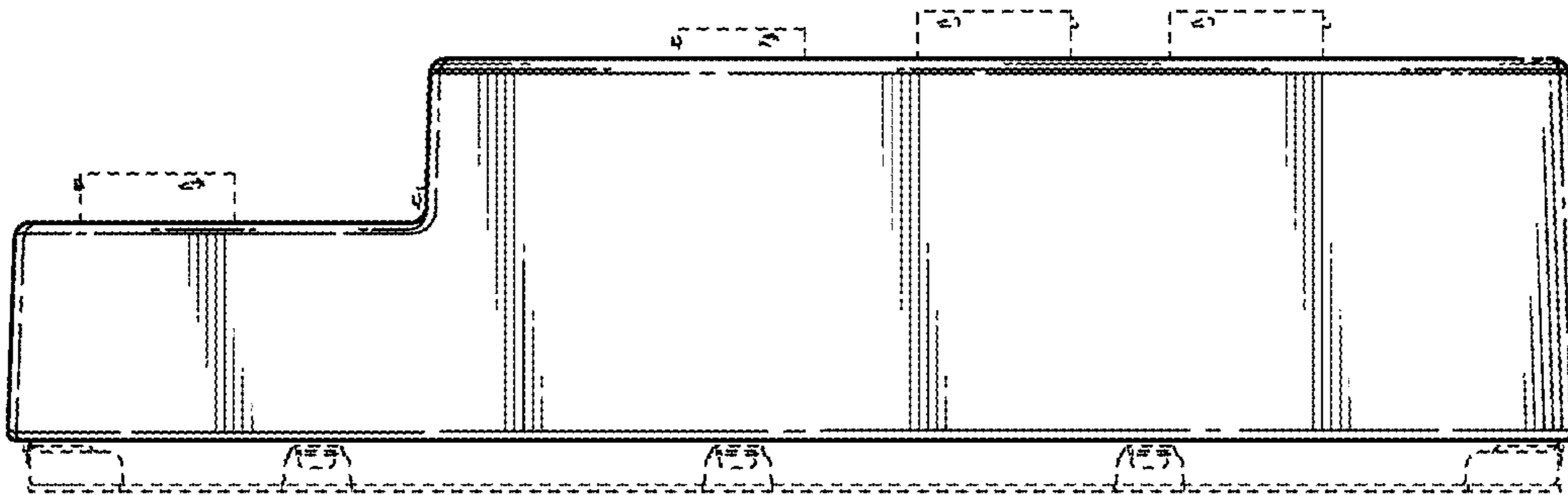


FIG. 3

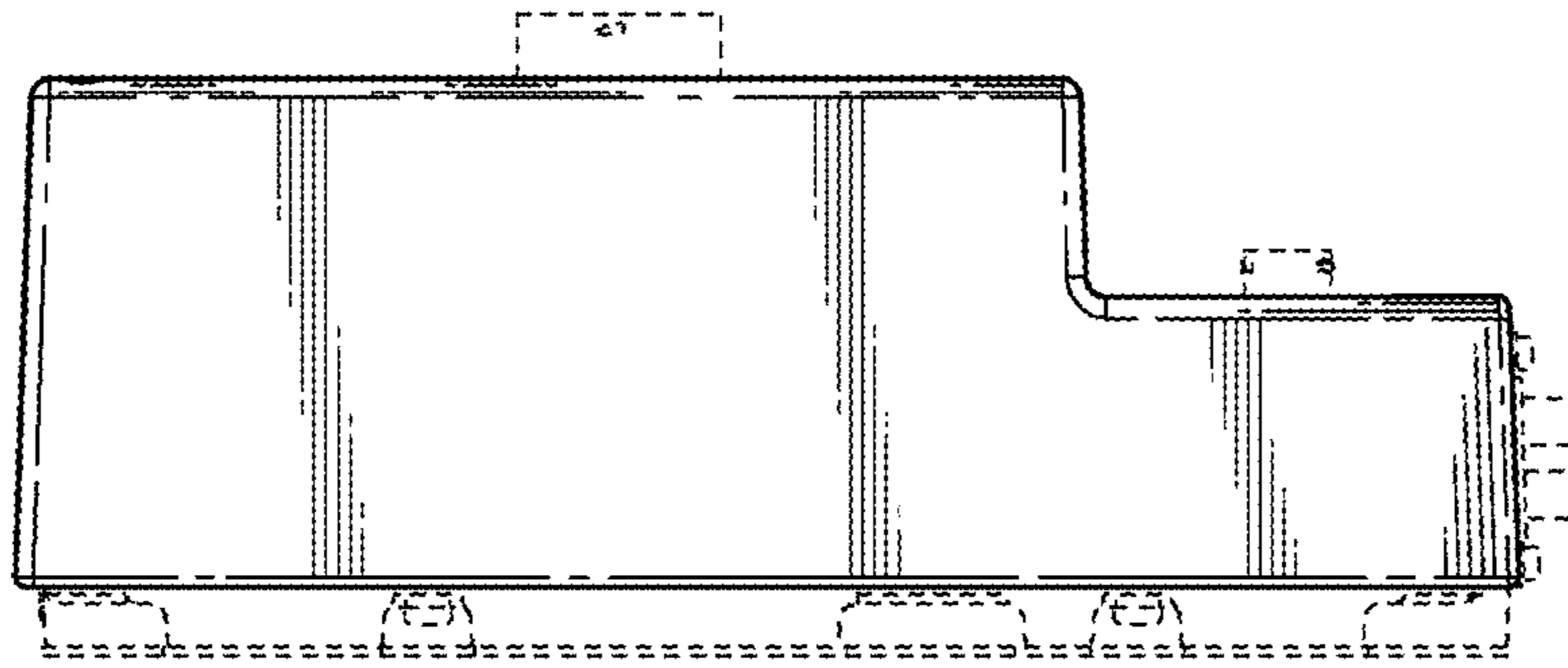


FIG. 4

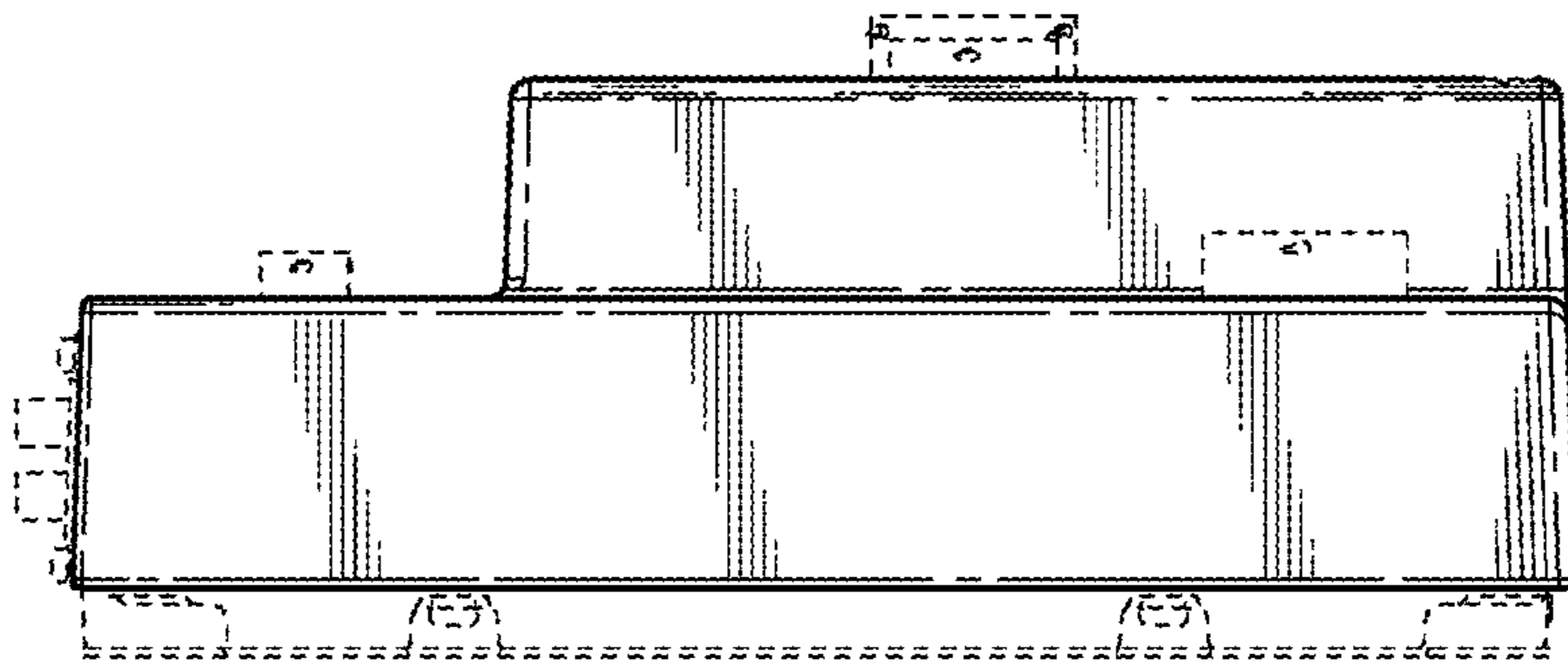


FIG. 5

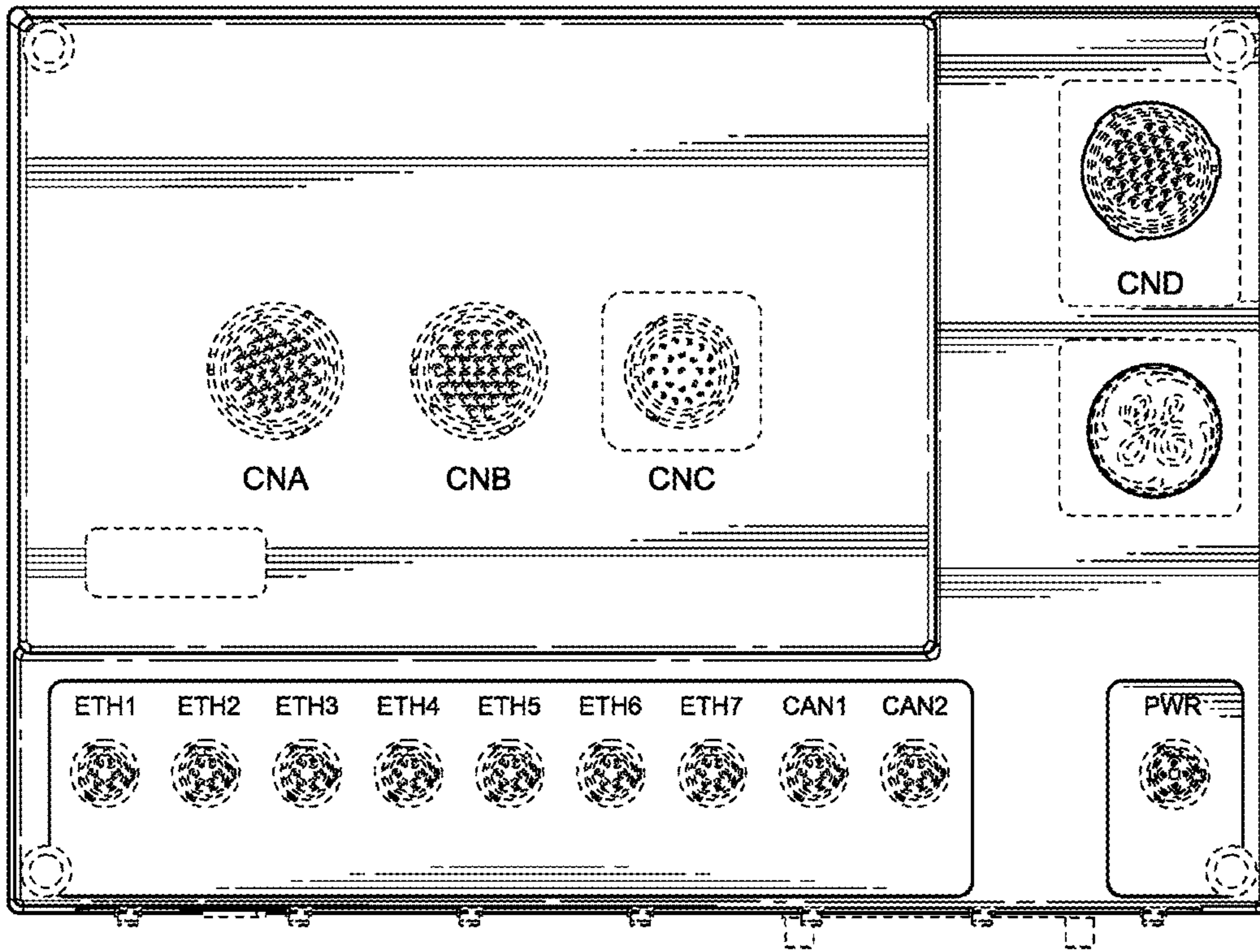


FIG. 6

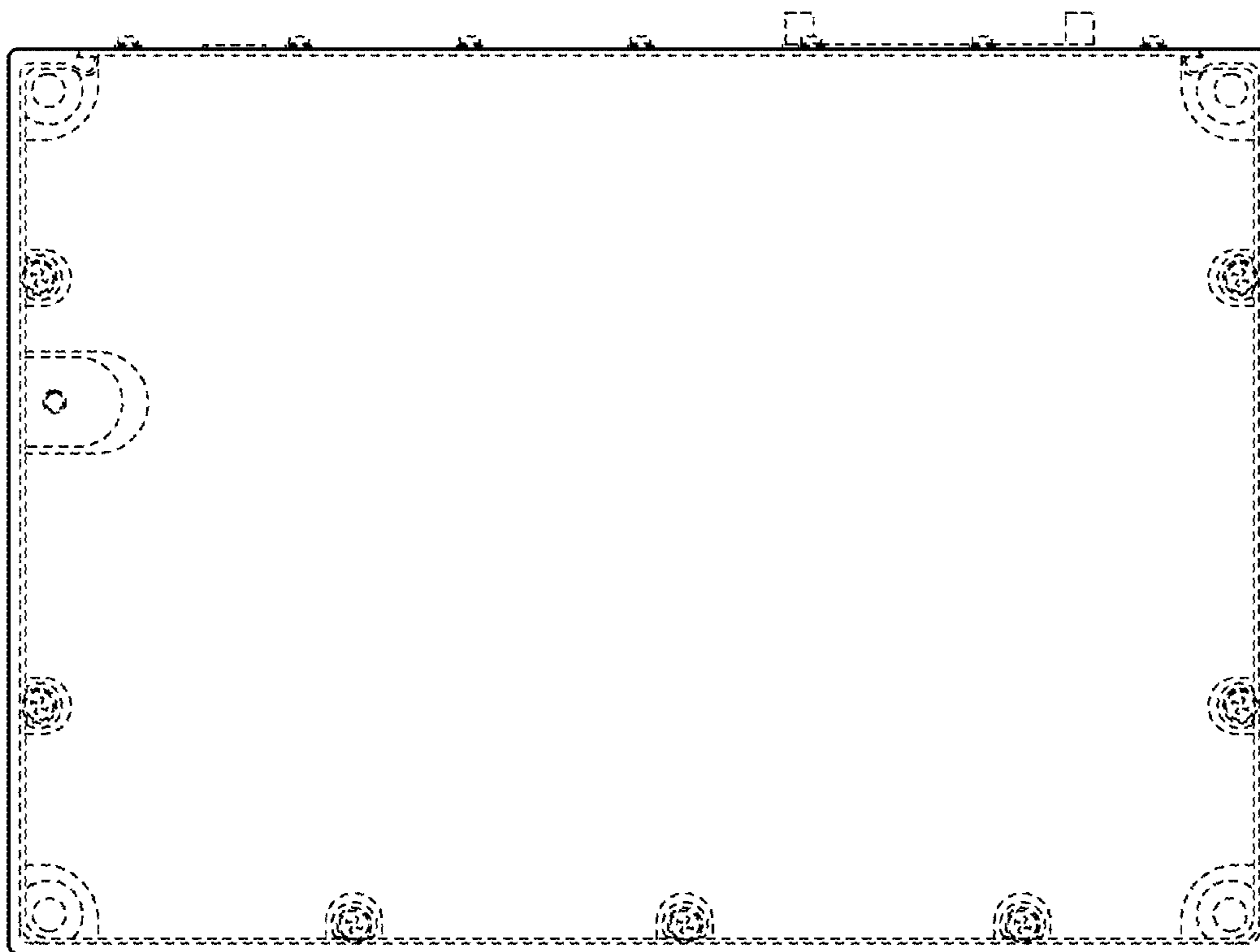


FIG. 7