



US00D934814S

(12) **United States Design Patent** (10) **Patent No.:** **US D934,814 S**
Gunderman et al. (45) **Date of Patent:** **** Nov. 2, 2021**

- (54) **OUTLET SHELF**
- (71) Applicant: **Outlet Shelf LLC**, Pittsford, NY (US)
- (72) Inventors: **Bryce Robert Gunderman**, Honeoye Falls, NY (US); **Robert Dale Gunderman, Jr.**, Honeoye Falls, NY (US); **David Michael Palazzolo**, West Bloomfield, MI (US); **William Eugene Razor**, Dublin, OH (US); **Daniel O'Mara Stahl**, Dublin, OH (US)
- (73) Assignee: **Outlet Shelf LLC**, Pittsford, NY (US)
- (**) Term: **15 Years**
- (21) Appl. No.: **29/710,057**
- (22) Filed: **Oct. 19, 2019**
- (51) **LOC (13) Cl.** **13-03**
- (52) **U.S. Cl.**
USPC **D13/156**
- (58) **Field of Classification Search**
USPC D13/110, 123, 133, 137.1, 139.1, 139.4,
D13/152, 154, 155, 156, 158, 162, 164,
D13/173, 177, 184; D8/349-351, 353
CPC H02G 3/14; H02G 3/081; H01R 13/6395;
H01R 13/447; H01R 25/006
See application file for complete search history.

- (56) **References Cited**
U.S. PATENT DOCUMENTS
2,943,138 A * 6/1960 Reager H01R 13/72
174/66
3,013,105 A * 12/1961 Craig H01R 13/72
174/67
D195,031 S * 4/1963 Hamill D8/353
D309,093 S * 7/1990 Reinholt D13/156
D323,285 S * 1/1992 Thomson 439/528
5,998,735 A * 12/1999 Patterson, Jr. H02G 3/14
174/67

- D549,171 S * 8/2007 Sbordon, Jr. D13/108
- 7,255,588 B2 * 8/2007 Wilder H01R 13/6392
439/373
- 7,812,257 B2 10/2010 Gunderman et al.
- D653,522 S * 2/2012 Anzalone D8/353
- 8,864,517 B2 * 10/2014 Cohen G06F 1/1632
439/536
- 9,065,263 B2 * 6/2015 Porcano H02G 3/14
(Continued)

Primary Examiner — Jennifer O King
(74) *Attorney, Agent, or Firm* — Patent Technologies, LLC; Robert D. Gunderman, Jr.

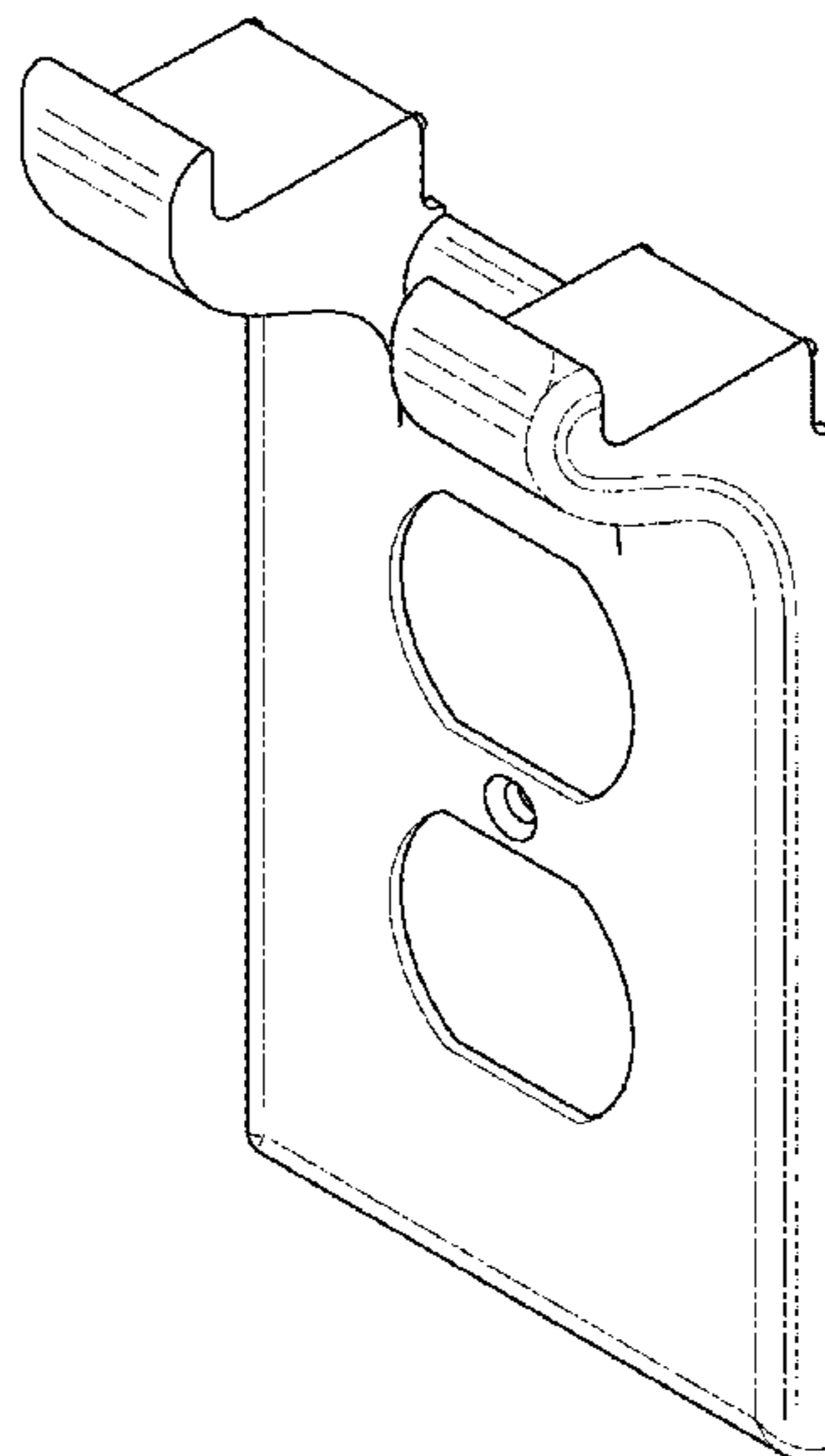
(57) **CLAIM**

The ornamental design for an outlet shelf, as shown and described.

DESCRIPTION

FIG. 1 is a perspective view of an outlet shelf showing our new design;
FIG. 2 is a back plan view of the outlet shelf of FIG. 1;
FIG. 3 is a side plan view of the outlet shelf of FIG. 1;
FIG. 4 is an alternate side plan view of the outlet shelf of FIG. 1;
FIG. 5 is a top plan view of the outlet shelf of FIG. 1;
FIG. 6 is a bottom plan view of the outlet shelf of FIG. 1;
FIG. 7 is a front plan view of the outlet shelf of FIG. 1;
FIG. 8 is a perspective view of a second embodiment of the outlet shelf of the present invention;
FIG. 9 is a back plan view of the outlet shelf of FIG. 8;
FIG. 10 is a side plan view of the outlet shelf of FIG. 8;
FIG. 11 is an alternate side plan view of the outlet shelf of FIG. 8;
FIG. 12 is a top plan view of the outlet shelf of FIG. 8;
FIG. 13 is a bottom plan view of the outlet shelf of FIG. 8;
and,
FIG. 14 is a front plan view of the outlet shelf of FIG. 8.
The evenly spaced broken lines represent portions of the outlet shelf that form no part of the claimed design.

1 Claim, 14 Drawing Sheets



(56)

References Cited

U.S. PATENT DOCUMENTS

D888,044 S * 6/2020 Clemens D14/252
2008/0272258 A1 * 11/2008 Wysoczynski F16M 13/02
248/309.1
2011/0132634 A1 * 6/2011 Fetzer-Westmeister
H02G 3/14
174/66
2014/0217250 A1 * 8/2014 Huynh A47G 29/10
248/205.3
2015/0129722 A1 * 5/2015 Green H02J 7/0044
248/51
2018/0219322 A1 * 8/2018 Beranek H01R 13/5213
2020/0059076 A1 * 2/2020 Waynick H02G 3/14

* cited by examiner

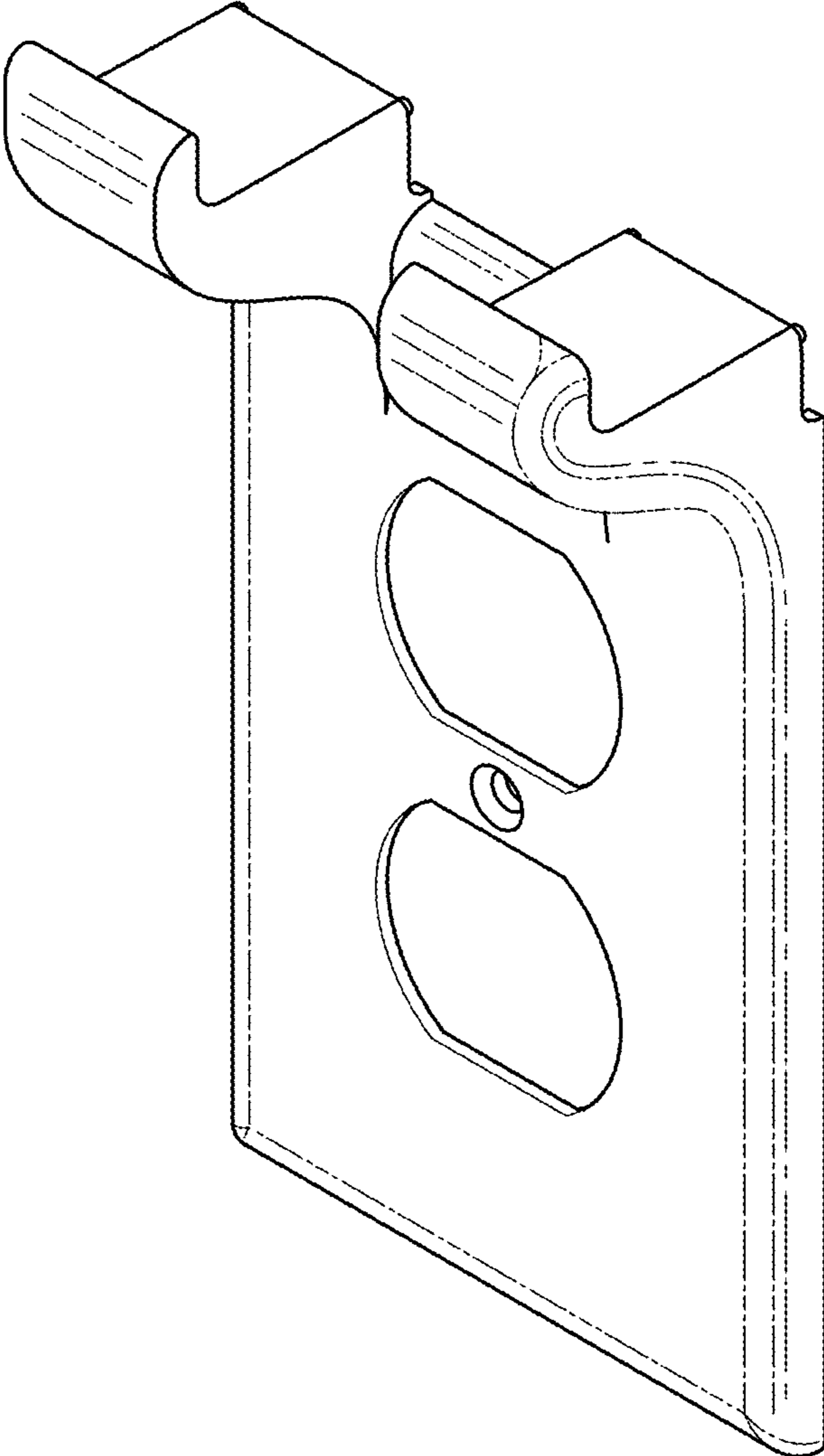


Fig. 1

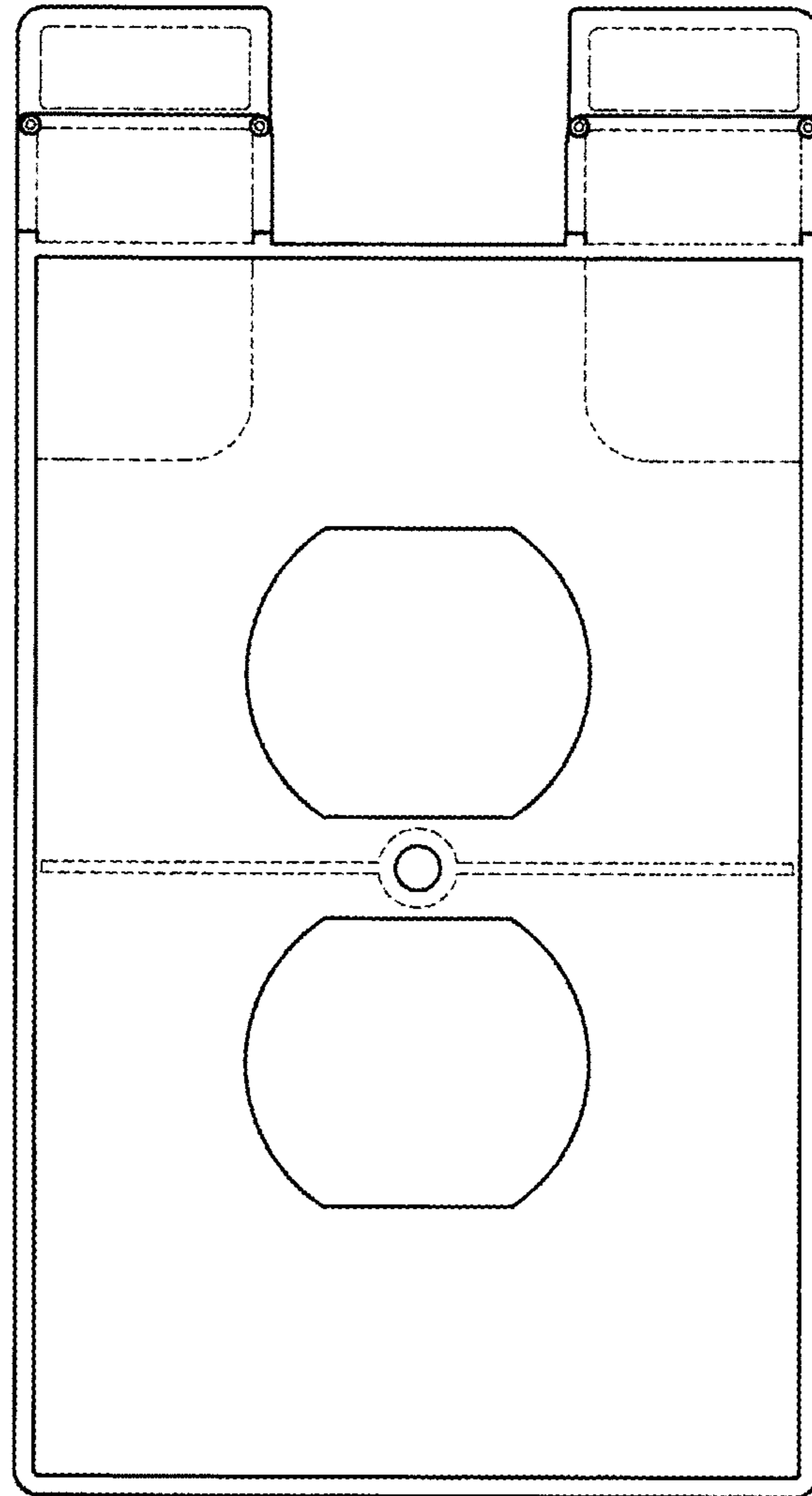


Fig. 2

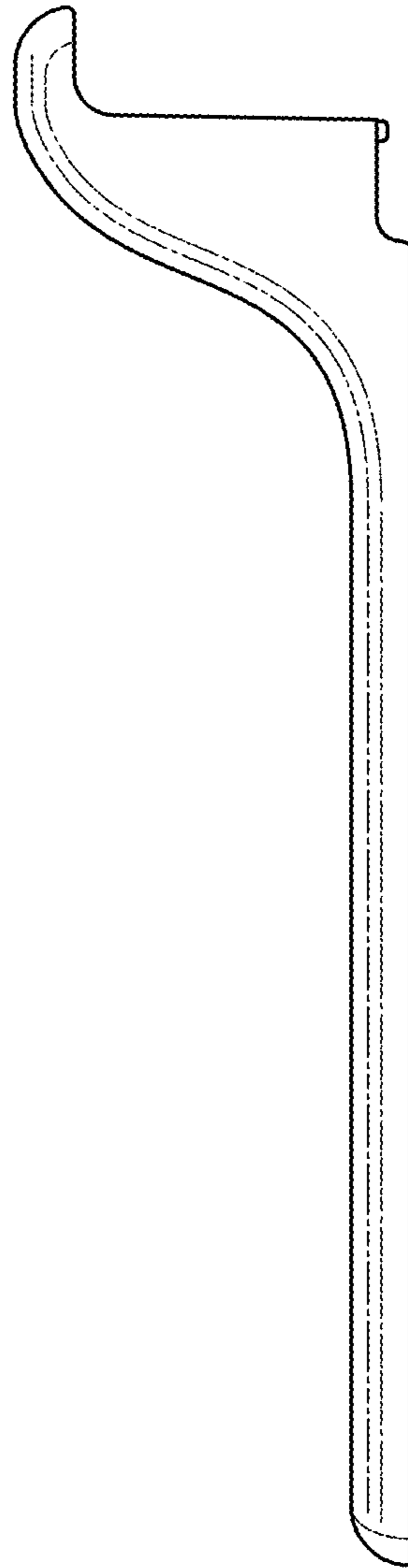


Fig. 3

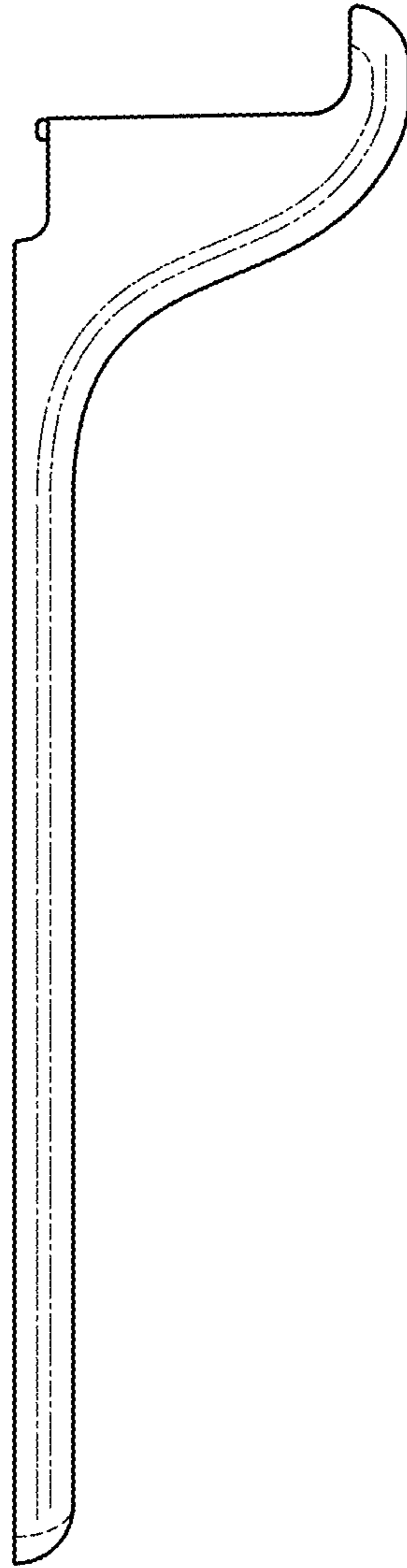


Fig. 4

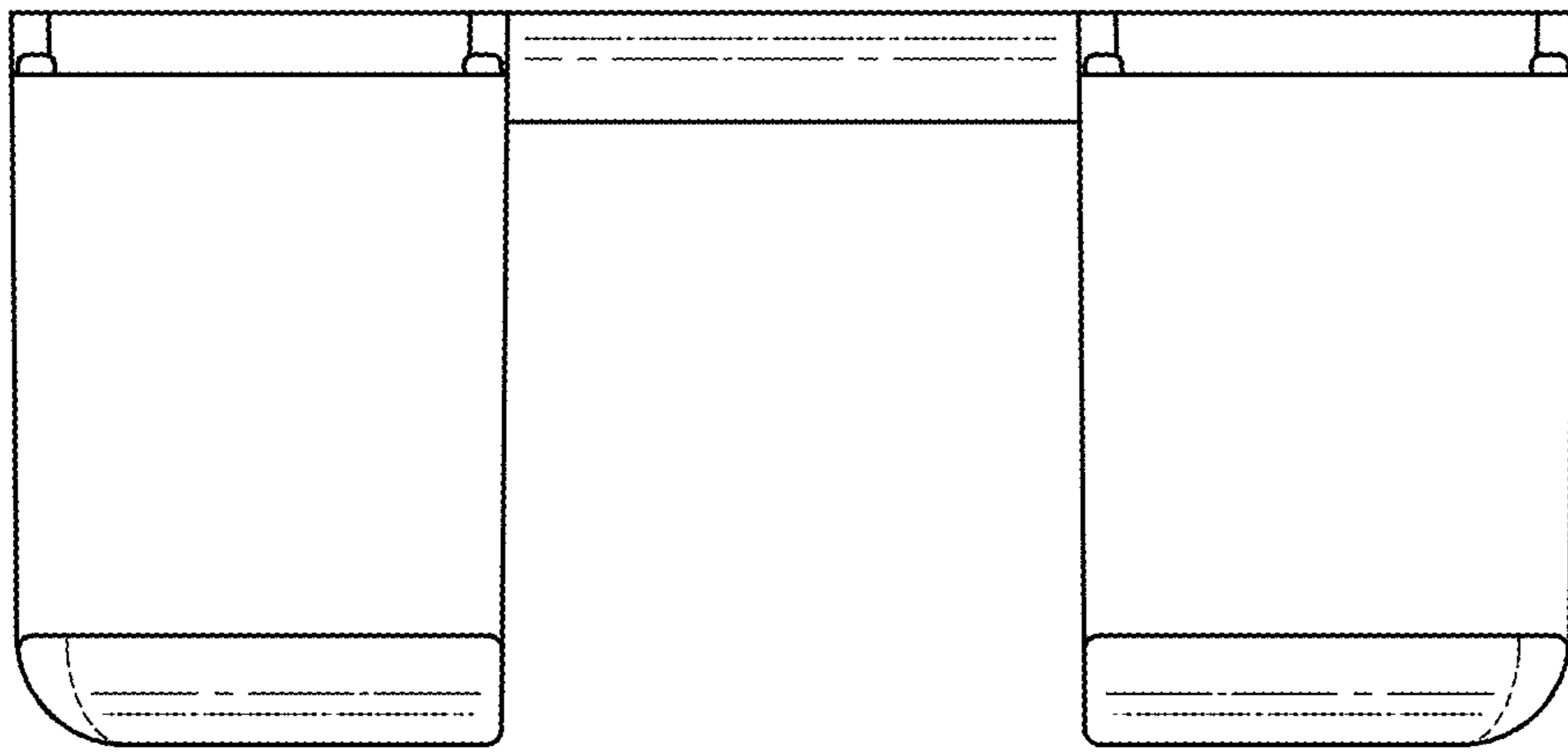


Fig. 5

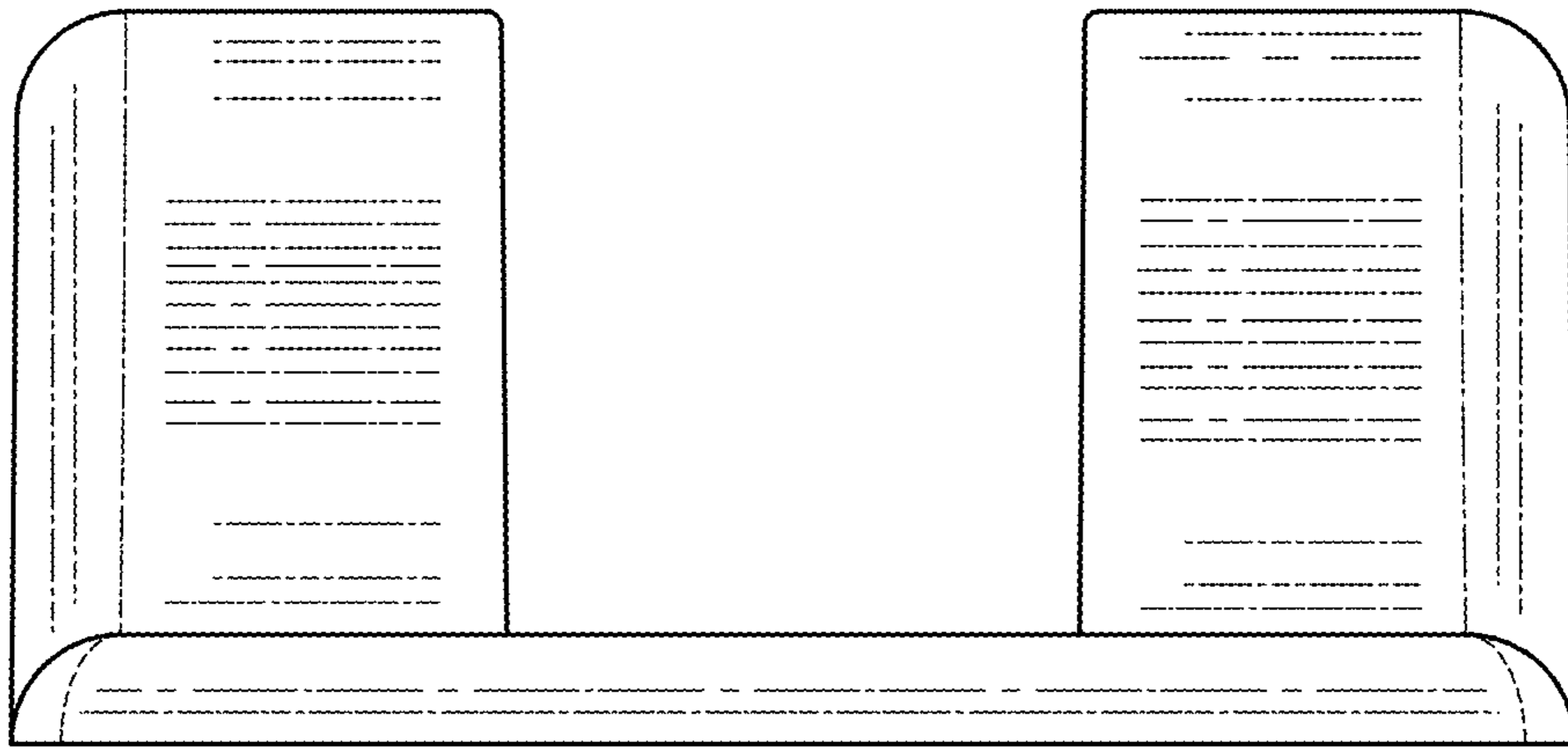


Fig. 6

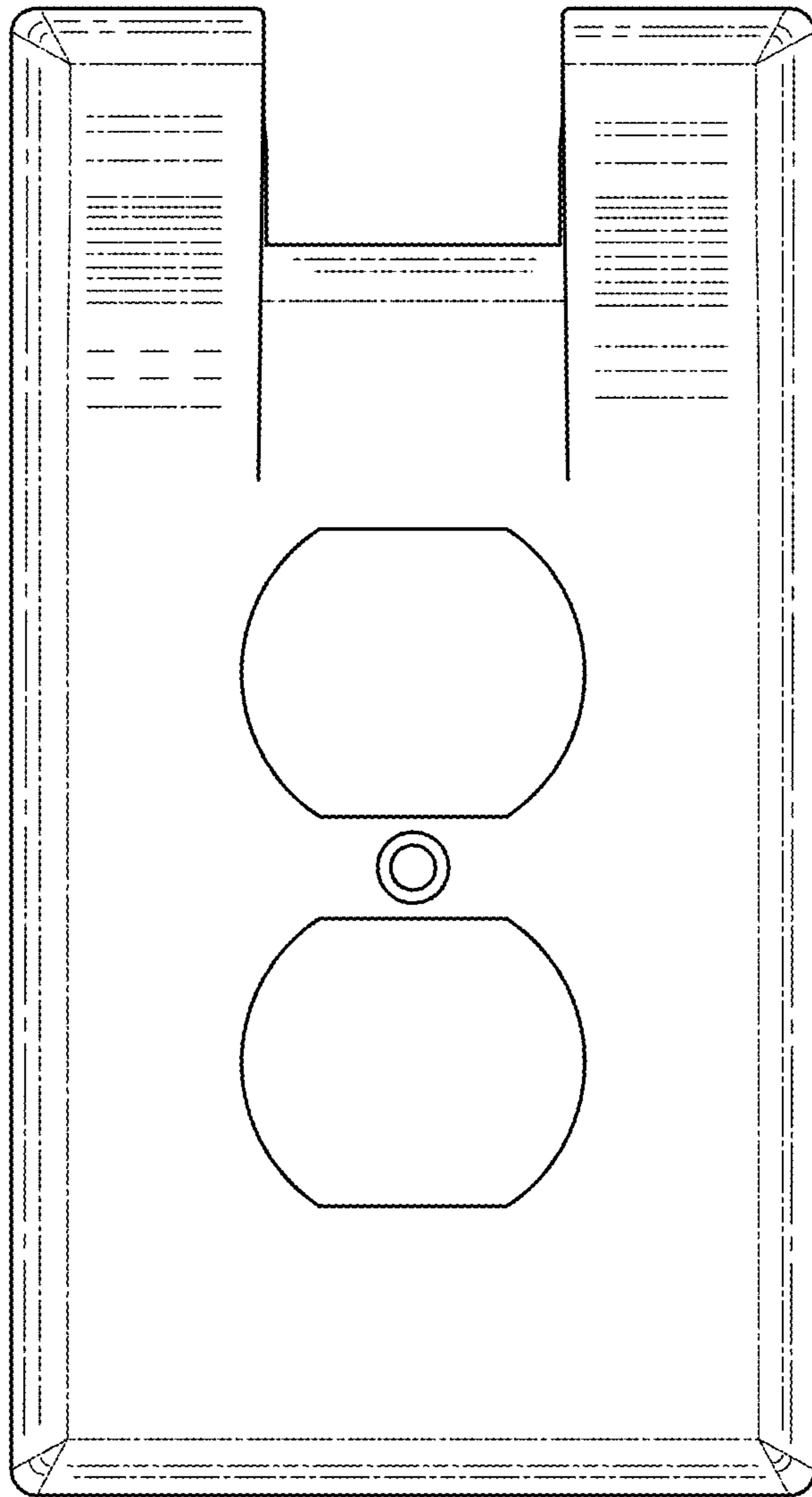


Fig. 7

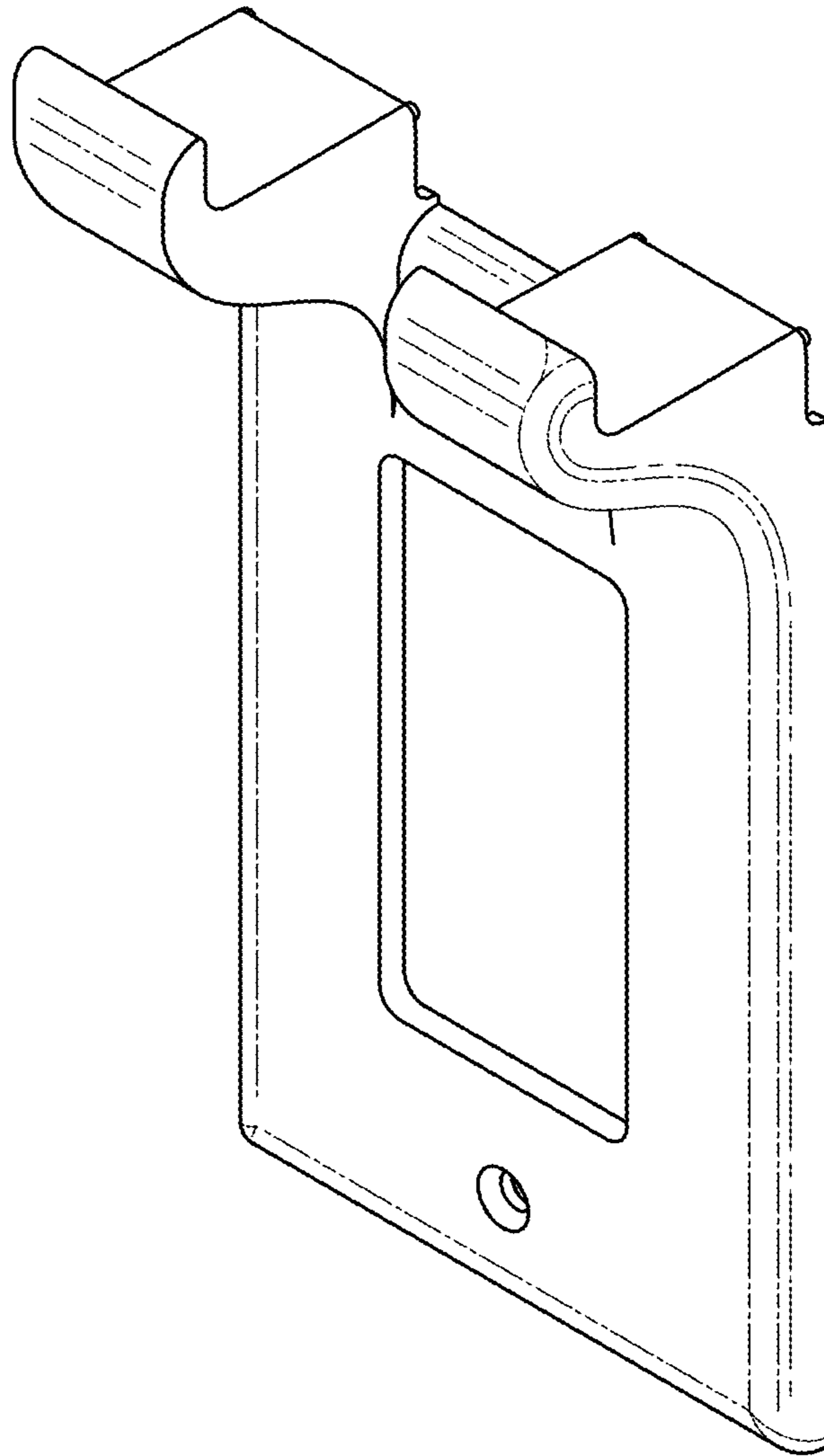


Fig. 8

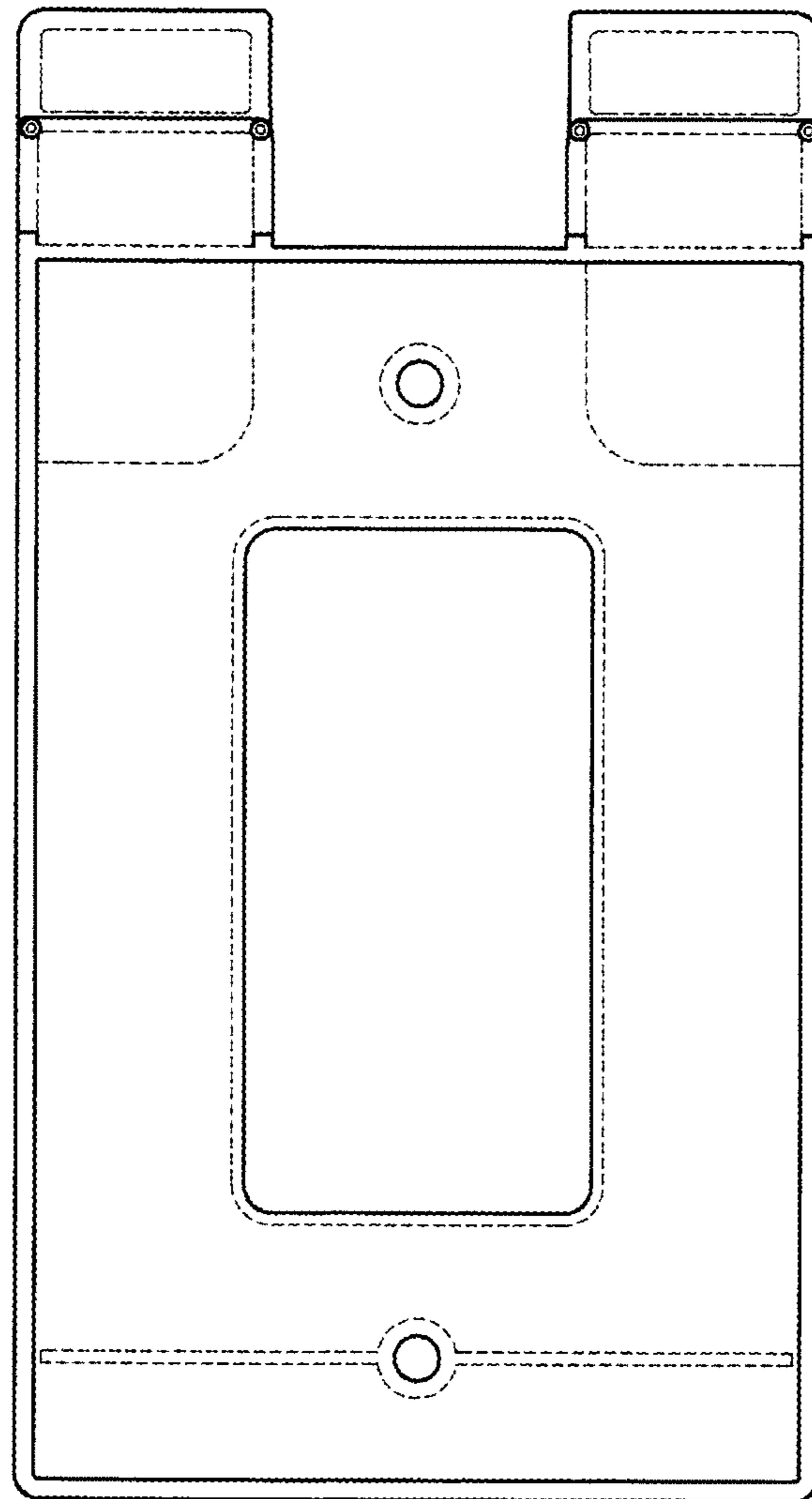


Fig. 9

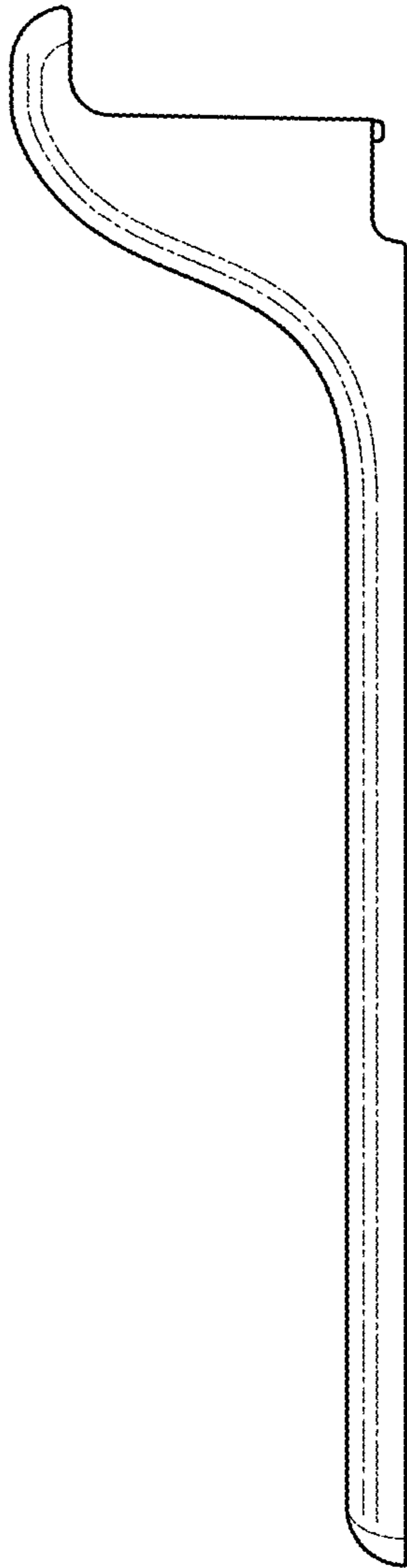


Fig. 10

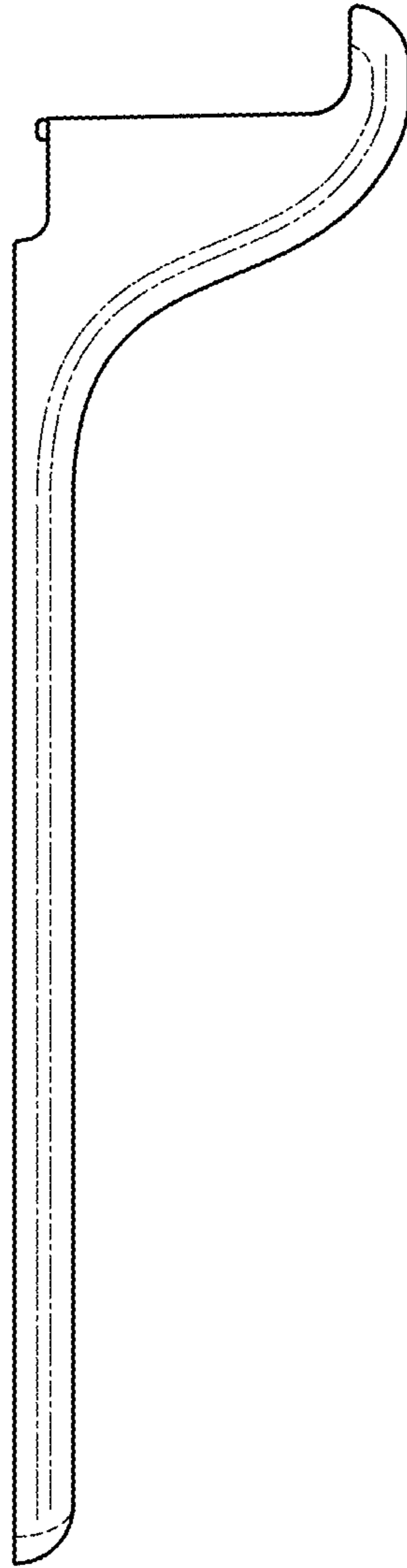


Fig. 11

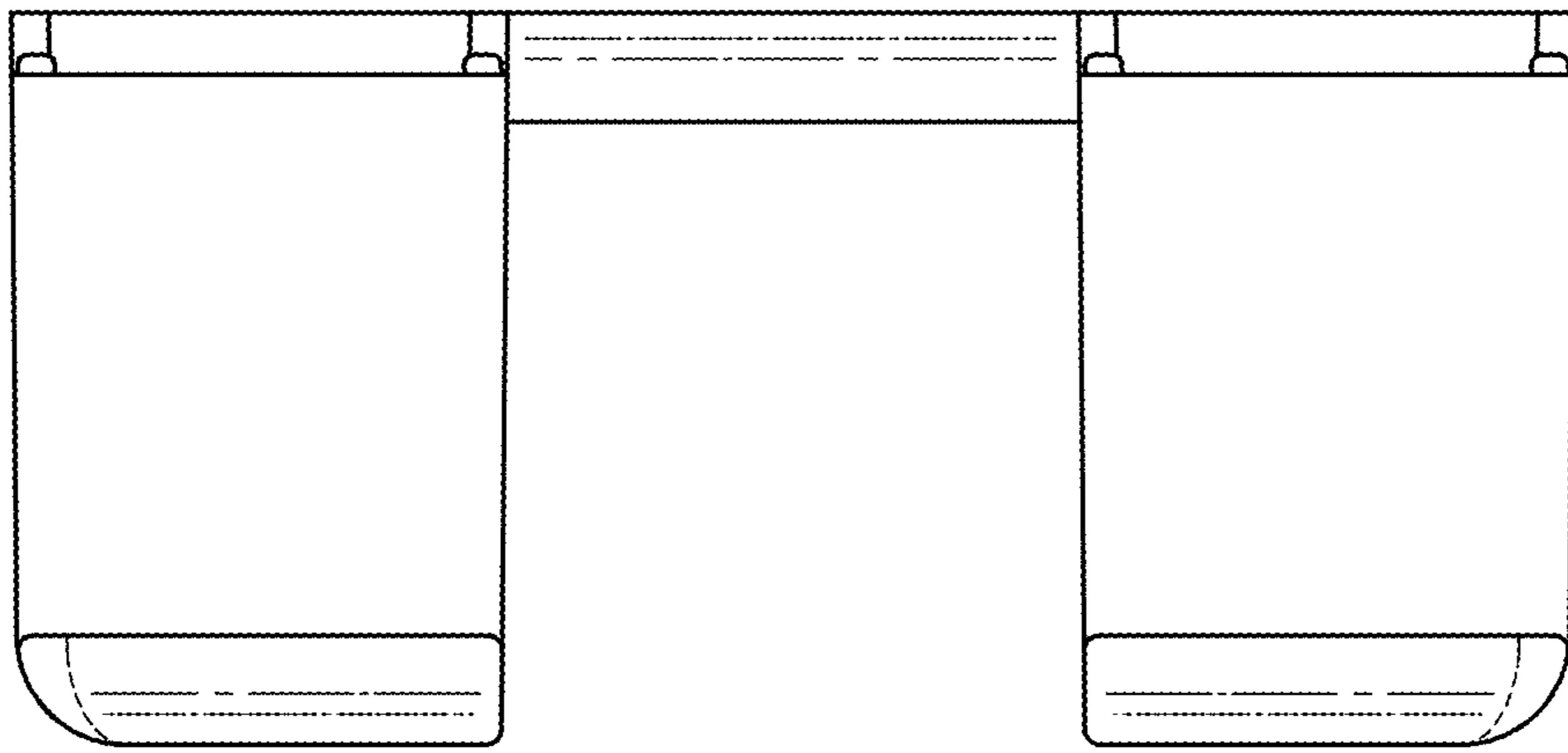


Fig. 12

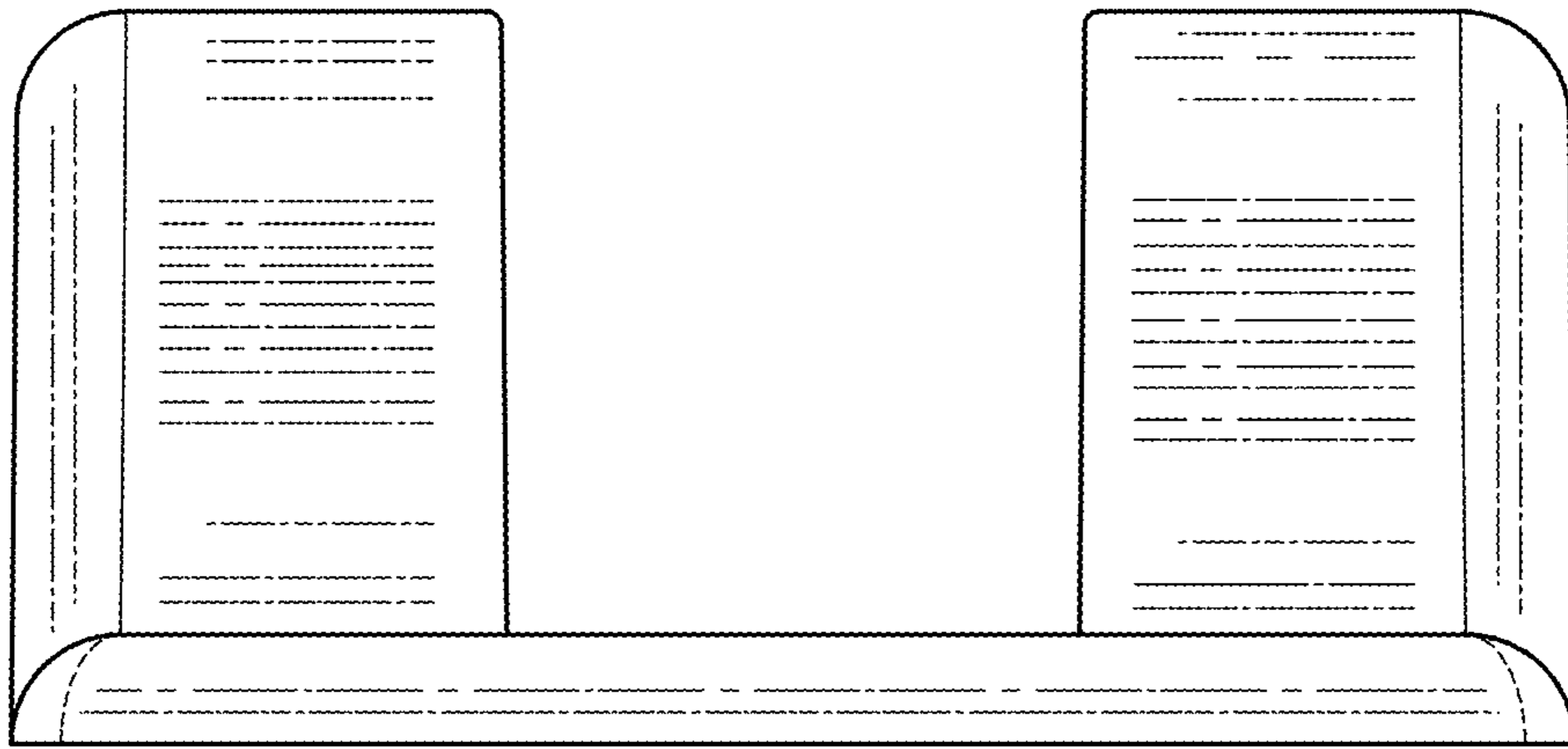


Fig. 13

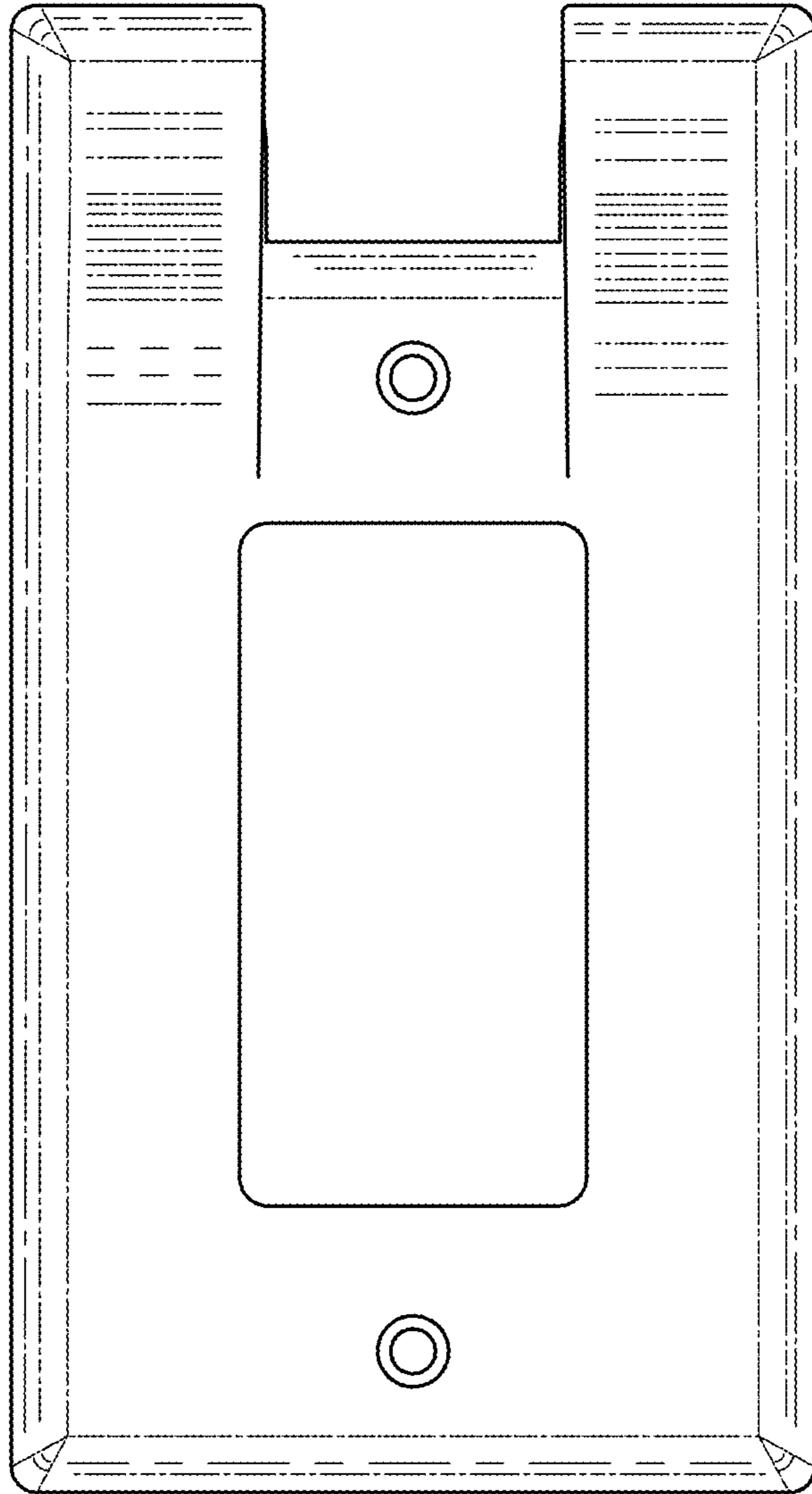


Fig. 14