



US00D934812S

(12) **United States Design Patent** (10) **Patent No.:** **US D934,812 S**
He (45) **Date of Patent:** **** Nov. 2, 2021**

(54) **USB ADAPTER**
(71) Applicant: **HuNan Jiangnan Electronics Technology Co., Ltd., Hunan (CN)**
(72) Inventor: **Tiejun He, Hunan (CN)**
(**) Term: **15 Years**
(21) Appl. No.: **29/687,766**
(22) Filed: **Apr. 16, 2019**
(51) **LOC (13) Cl.** **13-03**
(52) **U.S. Cl.**
USPC **D13/147**
(58) **Field of Classification Search**
USPC D13/103, 107, 108, 118–121, 123, 133,
D13/145–147, 149, 151, 153, 154, 173,
D13/184, 199; D14/433, 356, 435, 435.1,
D14/480.5, 484.1
CPC H01R 9/00; H01R 12/00; H01R 12/72;
H01R 13/00; H01R 13/58; H01R 13/65;
H01R 13/6581; H01R 13/66; H01R
13/703; H01R 13/717
See application file for complete search history.

(56) **References Cited**
U.S. PATENT DOCUMENTS
D470,819 S * 2/2003 Sass D13/133
D512,381 S * 12/2005 Sirichai D13/154
D516,032 S * 2/2006 Suckle D13/147
D520,457 S * 5/2006 Wada D13/156
D543,148 S * 5/2007 Suckle D13/146
D586,293 S * 2/2009 Fujino D13/133
D621,362 S * 8/2010 Huang D13/147
D622,224 S * 8/2010 Lin D13/147
D634,710 S * 3/2011 Hsieh D13/147
D675,575 S * 2/2013 Izen D13/147
D680,076 S * 4/2013 McManigal D13/147
D716,234 S * 10/2014 Tien D13/147
D727,907 S * 4/2015 Higashi D14/433
D731,434 S * 6/2015 Akana D13/147

D733,658 S * 7/2015 Yang D13/147
D744,428 S * 12/2015 Rodriguez D13/147
D788,041 S * 5/2017 Akana D13/147
D880,429 S * 4/2020 Wu D13/153
D882,524 S * 4/2020 Rong D13/153
D924,151 S * 7/2021 Chen D13/133
D925,548 S * 7/2021 Cran D14/480.5
2016/0149338 A1 * 5/2016 Xing B29C 70/84
439/449

(Continued)

OTHER PUBLICATIONS

MFI Certified Apple Lightning Adapter, dated Jul. 14, 2015, [online], [site visited Aug. 6, 2020]. Available from Internet, URL: <https://store.powerstick.com/products/lightning-to-micro-usb-adapter> (Year: 2015).*

(Continued)

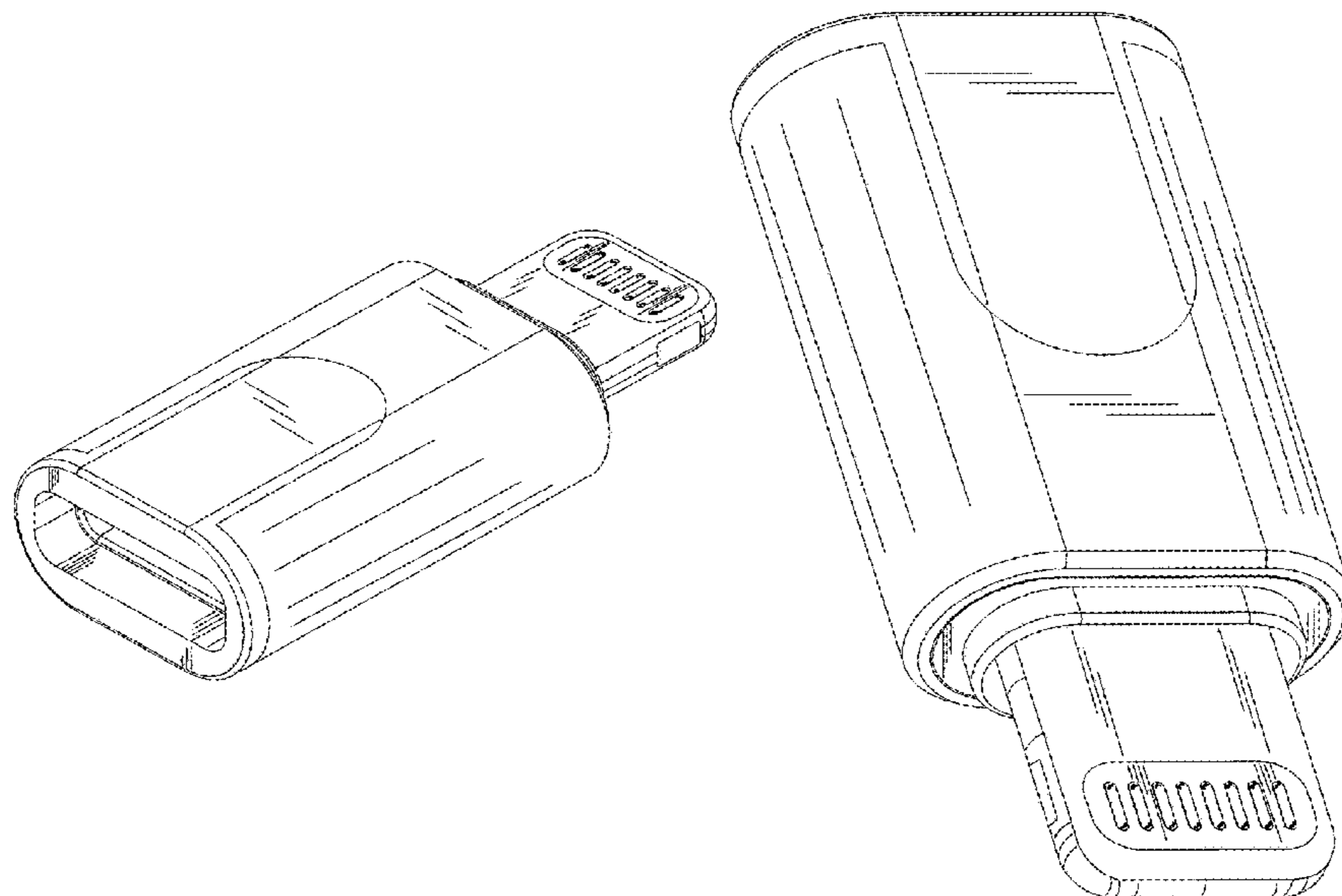
Primary Examiner — Shawn T Gingrich
(74) *Attorney, Agent, or Firm* — Prakash Nama; Global IP Services, PLLC

(57) **CLAIM**
The ornamental design for a USB adapter, as shown and described.

DESCRIPTION

FIG. 1 is a front elevational view of a USB adapter showing my new design;
FIG. 2 is a rear elevational view thereof;
FIG. 3 is a left side view thereof;
FIG. 4 is a right side view thereof;
FIG. 5 is a top plan view thereof;
FIG. 6 is a bottom plan view thereof;
FIG. 7 is a perspective view thereof; and,
FIG. 8 is another perspective view thereof.
The broken lines shown in USB adapter form no part of the claimed design.

1 Claim, 8 Drawing Sheets



(56)

References Cited

U.S. PATENT DOCUMENTS

2016/0322761 A1* 11/2016 Wu H01R 13/7175
2016/0344145 A1* 11/2016 Zhou H01R 13/7172
2017/0085041 A1* 3/2017 Zhang H01R 13/7175
2017/0207582 A1* 7/2017 Hsu H01R 13/665
2018/0138643 A1* 5/2018 Huang H01R 13/6683
2019/0267761 A1* 8/2019 Wu H01R 13/6581

OTHER PUBLICATIONS

Lightning to Micro USB Adapter, dated Mar. 13, 2016, [online], [site visited Aug. 6, 2020]. Available from Internet, URL: <http://www.apple.com/shop/product/MD820AM/A/lightning-to-micro-usb-adapter> (Year: 2016).*

Avantree [Apple MFi Certified] 2 Pack Micro USB to 8 Pin Adapter Converters, dated Mar. 10, 2017, [online], [site visited Aug. 6, 2020]. Available from Internet, URL: <https://www.amazon.com/certified-Avantree-Lightning-Converter-Compatible/dp/B06XH9YXML> (Year: 2017).*

* cited by examiner

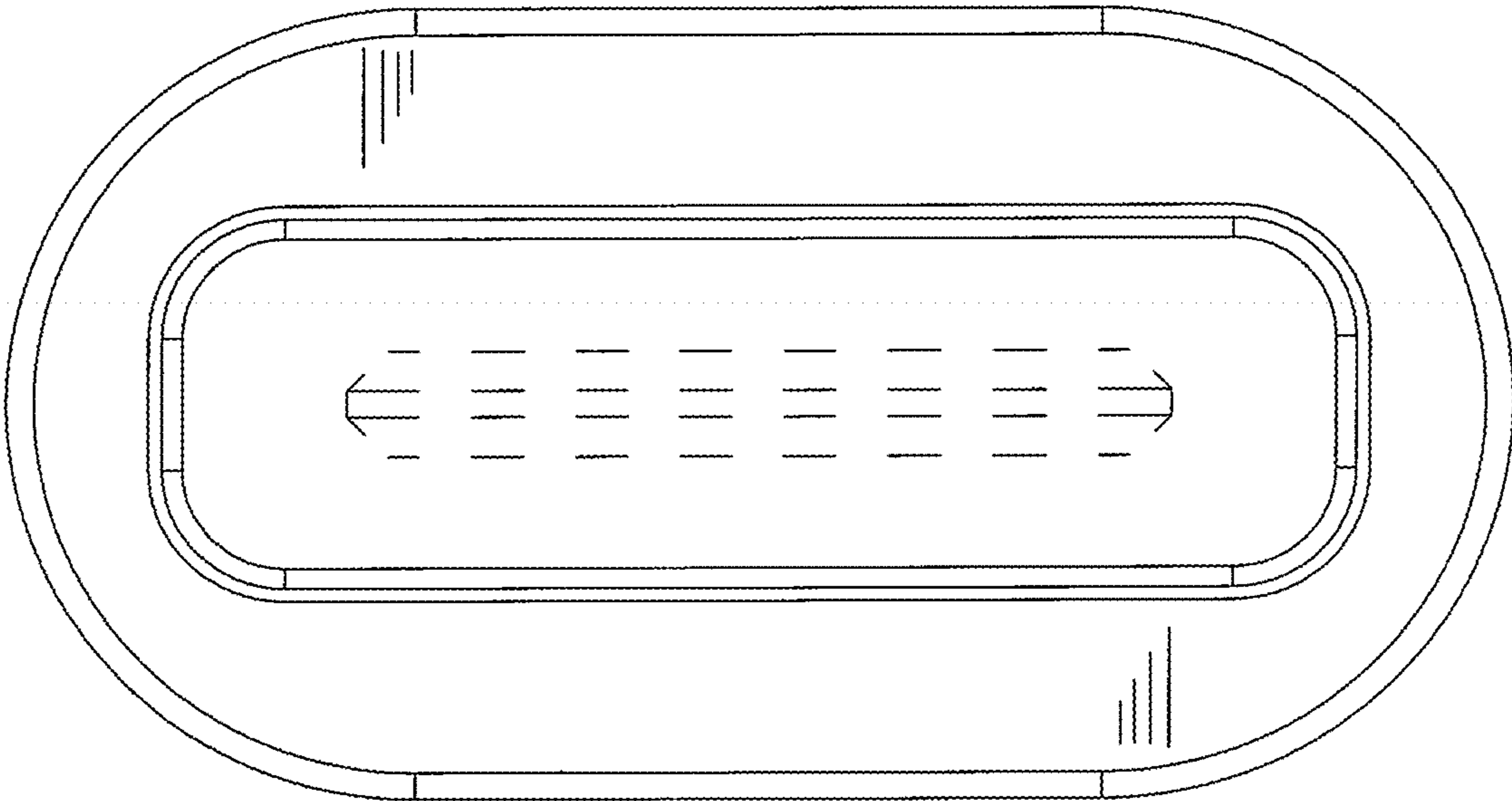


FIG. 1

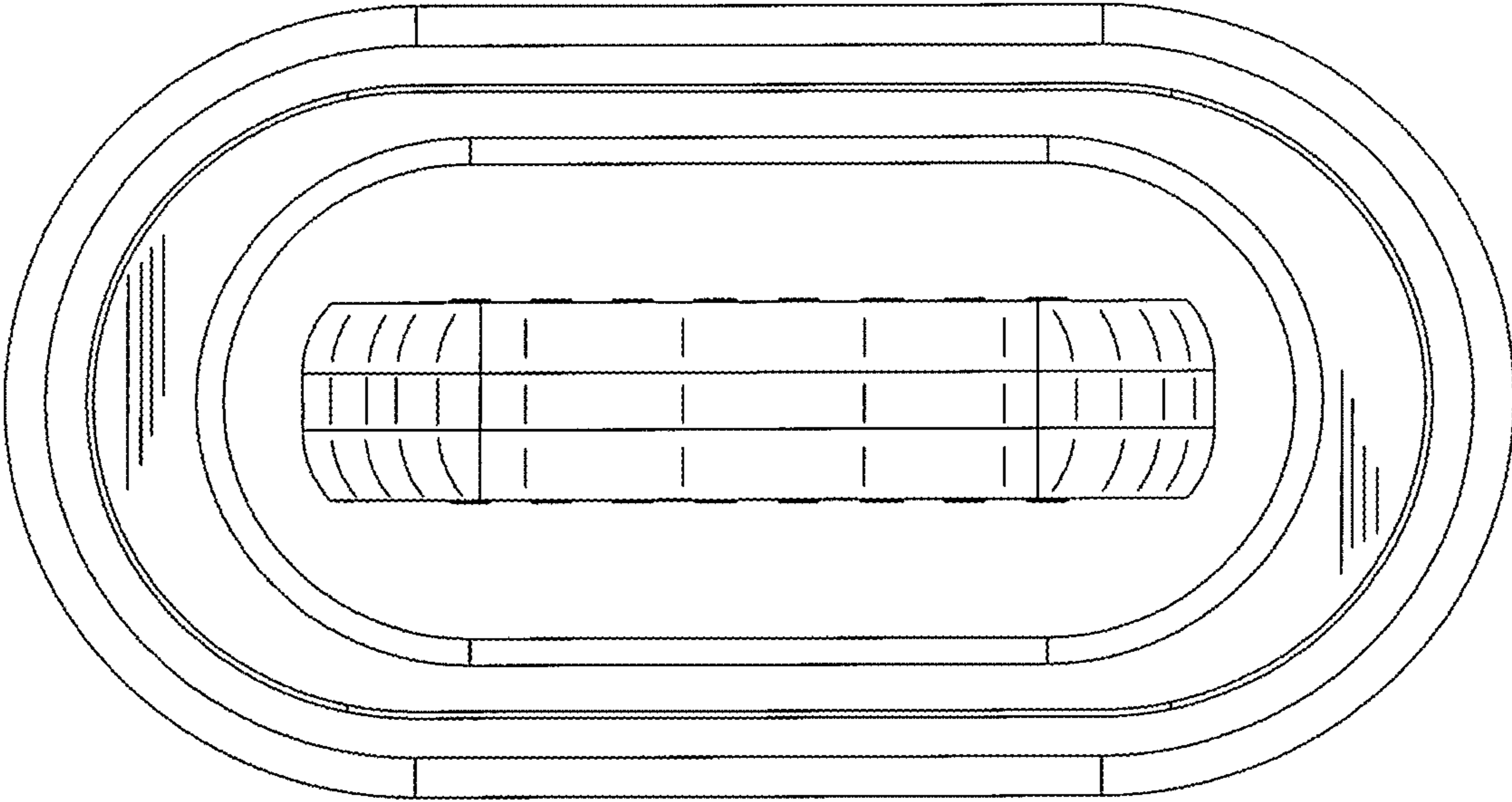


FIG. 2

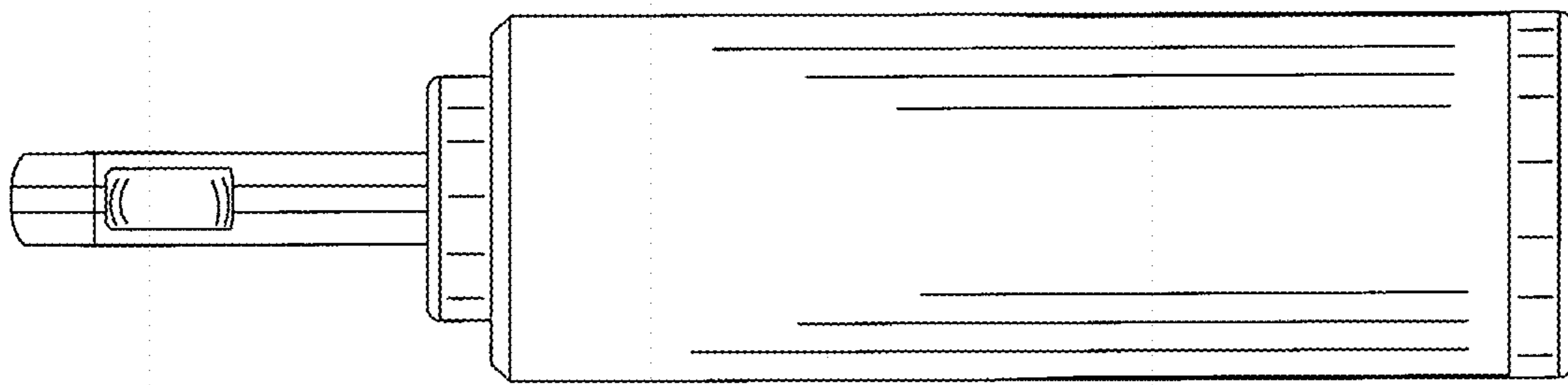


FIG. 3

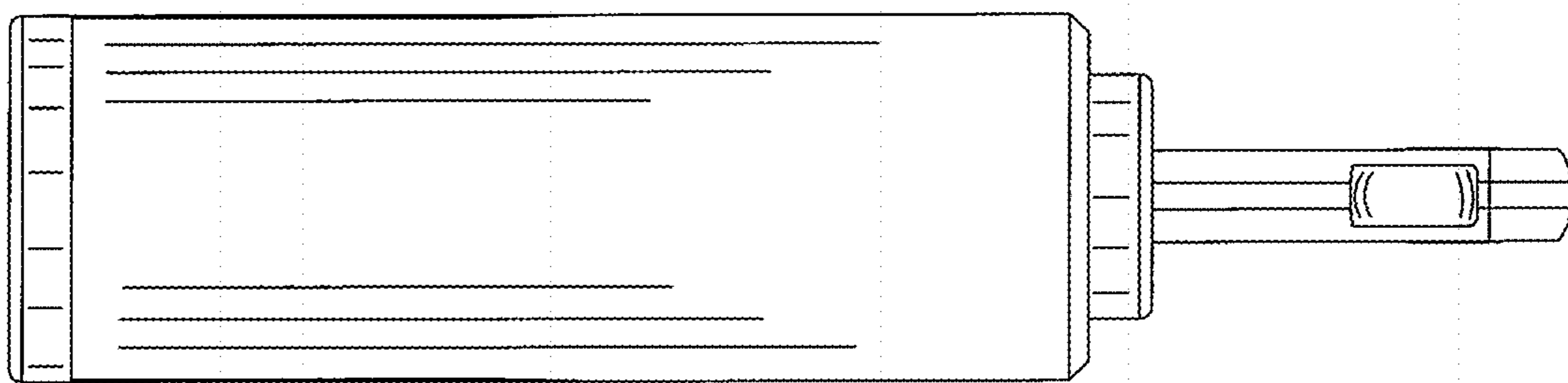


FIG. 4

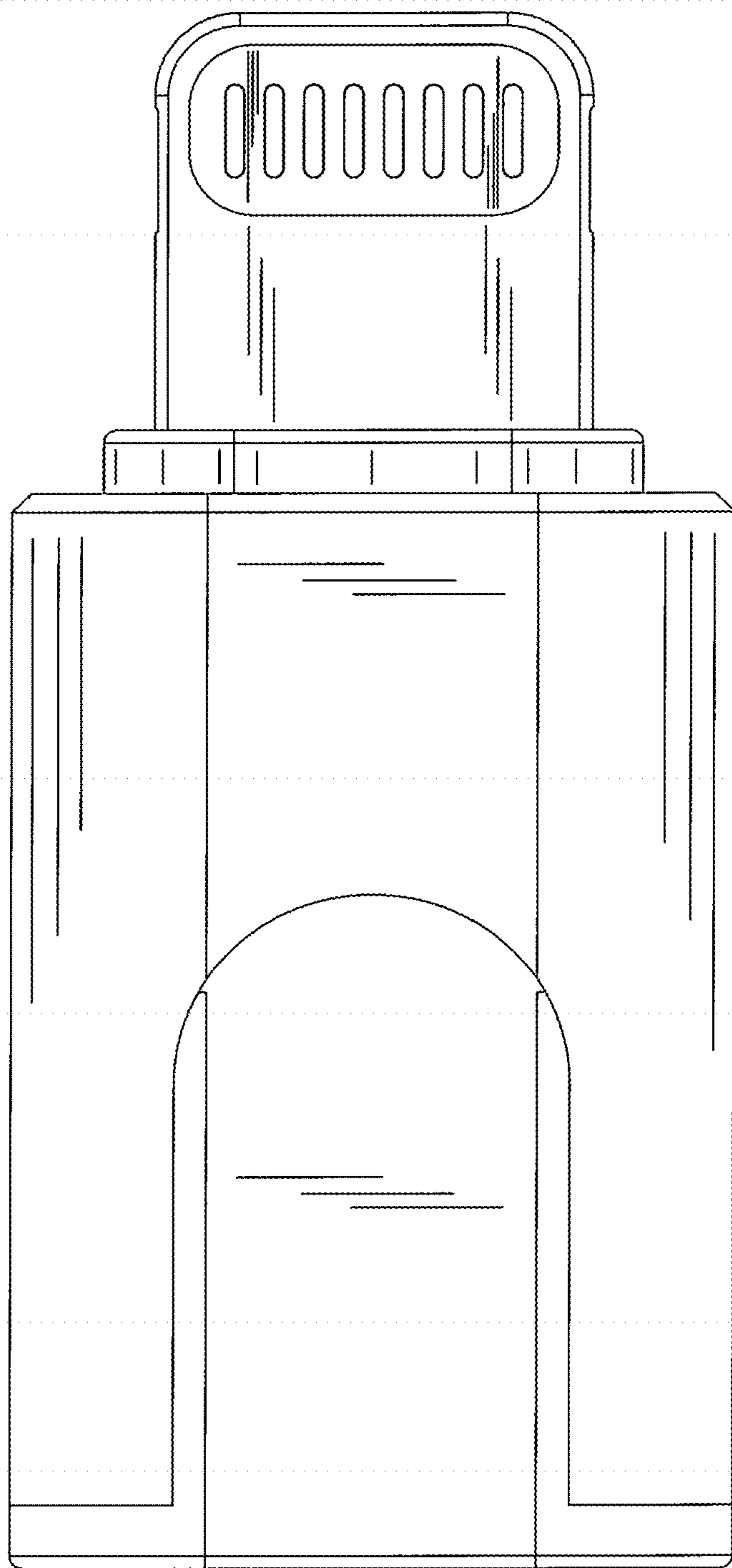


FIG. 5

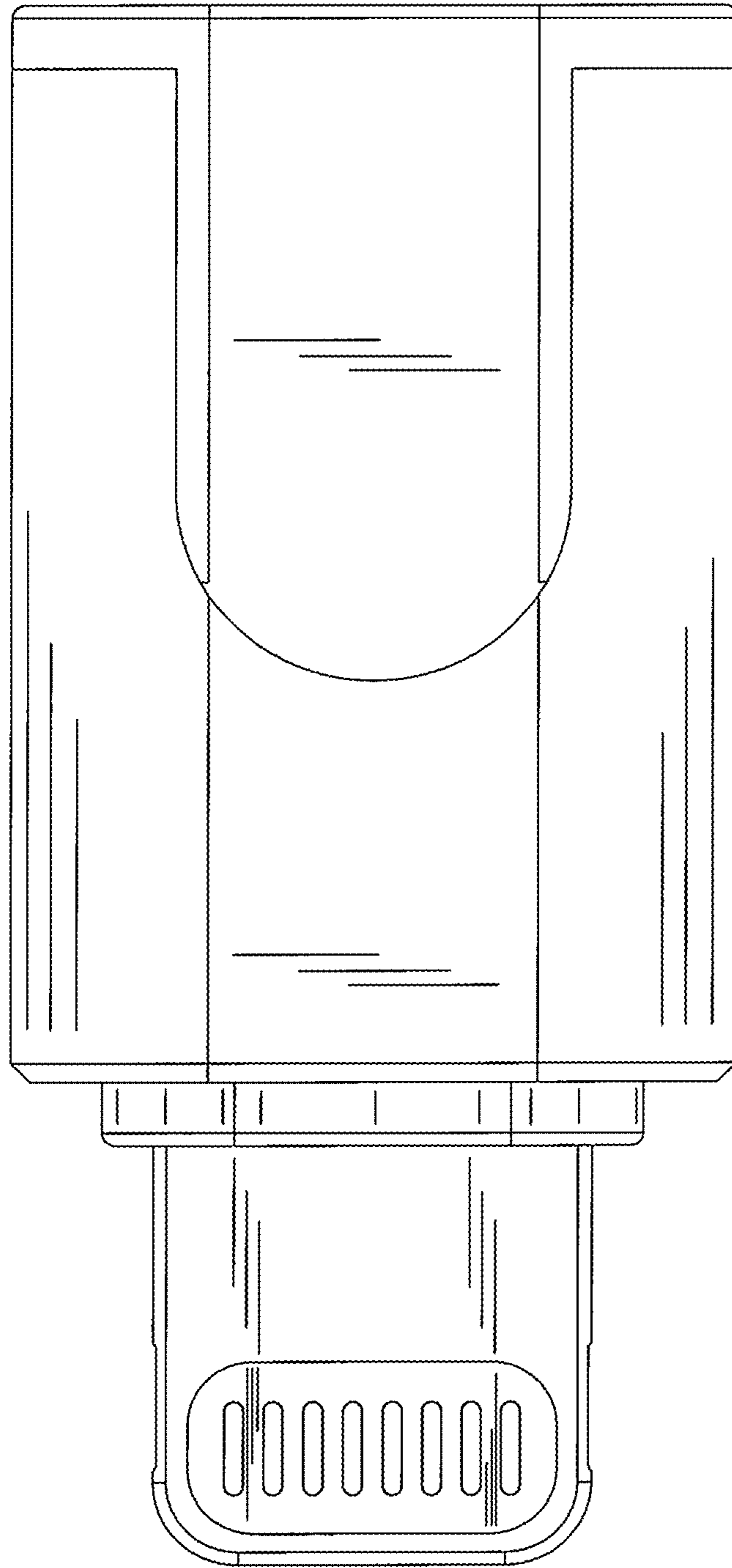


FIG. 6

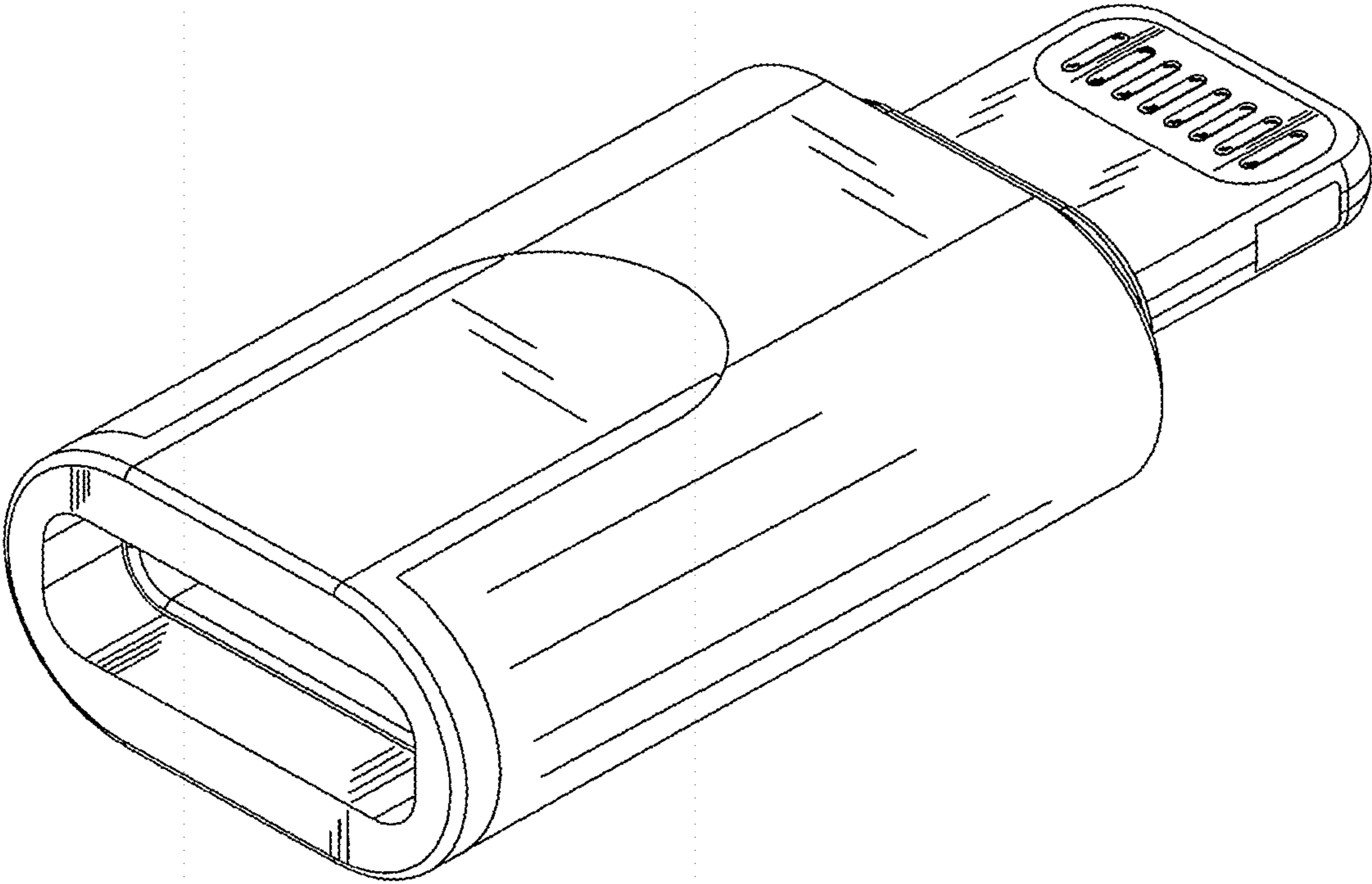


FIG. 7

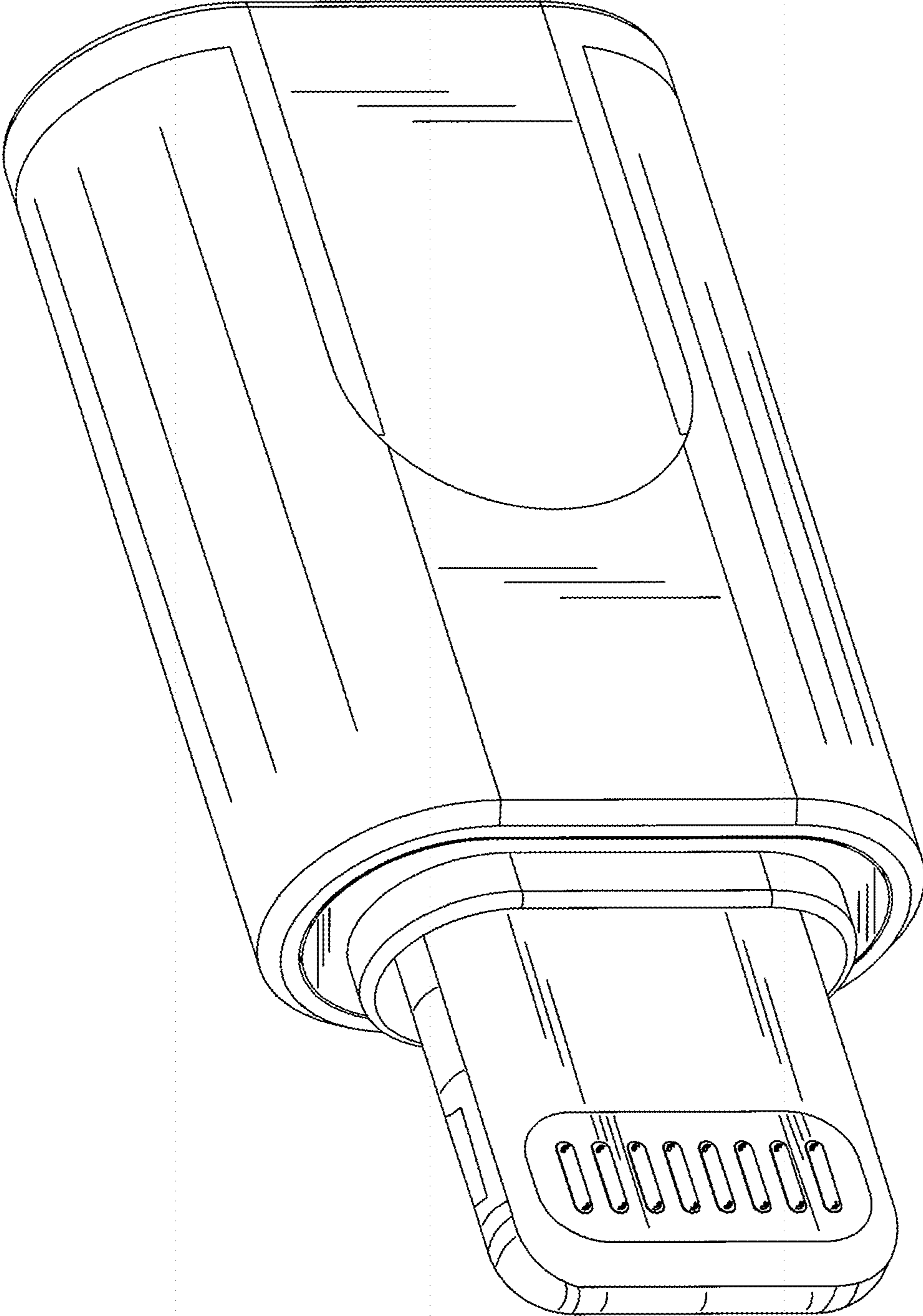


FIG. 8