



US00D934810S

(12) **United States Design Patent**
Yan

(10) **Patent No.:** **US D934,810 S**
(45) **Date of Patent:** **** Nov. 2, 2021**

(54) **EXTENSION SOCKET**
(71) Applicant: **SHENZHEN MINGRUI INDUSTRIAL CO., LTD**, Shenzhen (CN)

D922,954 S * 6/2021 Mei D13/139.8
D922,955 S * 6/2021 Chen D13/139.8
D922,956 S * 6/2021 Yan D13/139.8
D924,809 S * 7/2021 Chen D13/139.8

(72) Inventor: **Bingjie Yan**, Luoyang (CN)
(73) Assignee: **SHENZHEN MINGRUI INDUSTRIAL CO., LTD**, Shenzhen (CN)

OTHER PUBLICATIONS

“RHSP-17005 . . .” reference dated Sep. 9, 2021 found by RMS on the internet at: <https://www.rosewill.com/product/8-outlet-power-strip-surge-protector-with-3-ismart-usb-ports-5v-3-1a-3-28-foot-heavy-duty-extension-cord-1800-joules/>.*

(**) Term: **15 Years**

* cited by examiner

(21) Appl. No.: **29/765,767**

Primary Examiner — Rhea Shields

(22) Filed: **Jan. 11, 2021**

(57) **CLAIM**

(51) **LOC (13) Cl.** **13-03**

The ornamental design for an extension socket, as shown and described.

(52) **U.S. Cl.**

USPC **D13/139.8**

DESCRIPTION

(58) **Field of Classification Search**

USPC D13/139.1–139.8, 137.1–137.3, 154

CPC H01R 25/003

See application file for complete search history.

FIG. 1 is a perspective view of an extension socket showing my new design;

FIG. 2 is another perspective view thereof;

FIG. 3 is a front elevational view thereof;

FIG. 4 is a rear elevational view thereof;

FIG. 5 is a left side elevational view thereof;

FIG. 6 is a right side elevational view thereof;

FIG. 7 is a top plan view thereof; and,

FIG. 8 is a bottom plan view thereof.

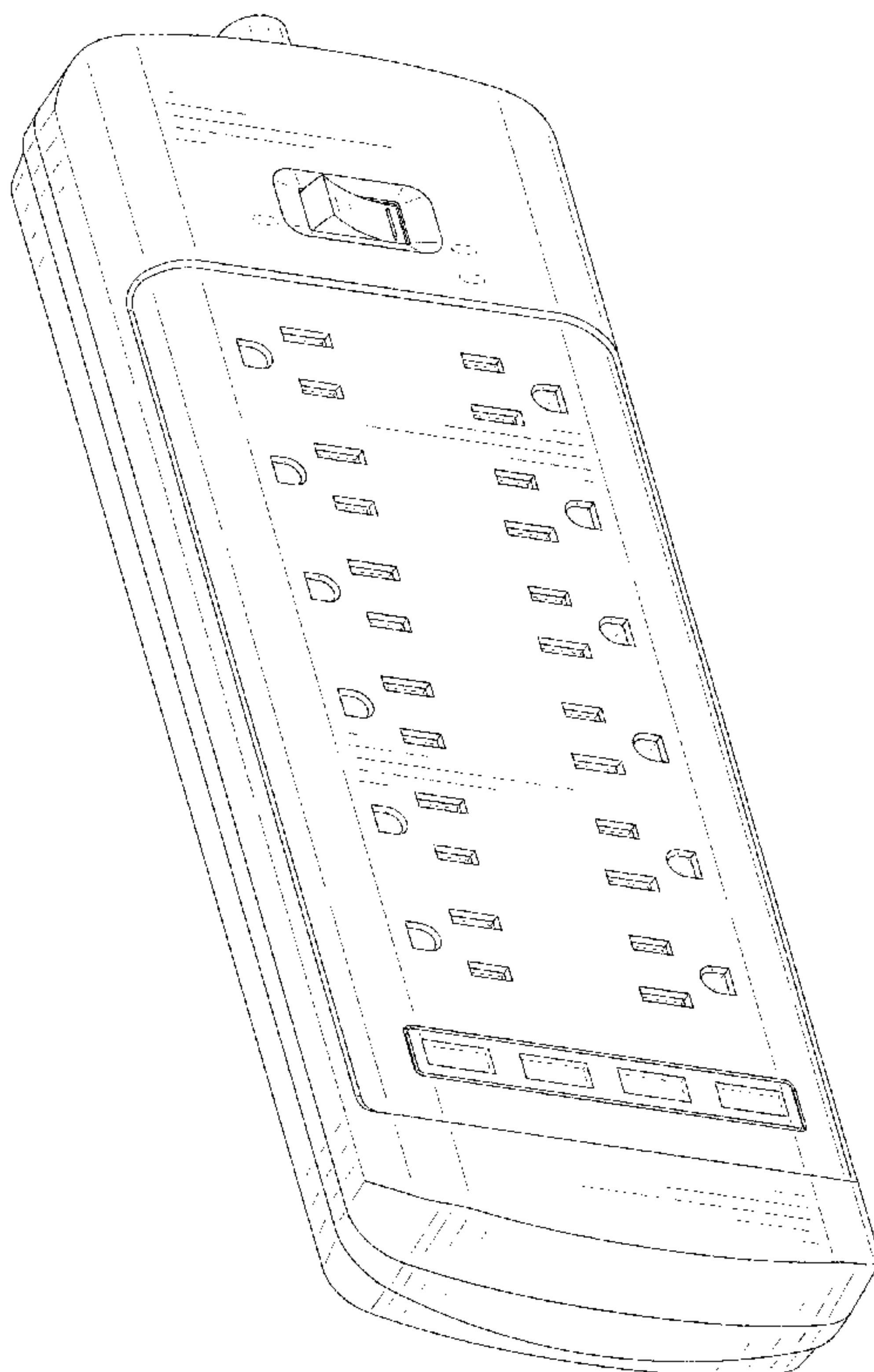
The broken lines in the drawings depict portions of the extension socket that form no part of the claimed design.

(56) **References Cited**

U.S. PATENT DOCUMENTS

D380,733 S * 7/1997 Parshad D13/139.6
D409,978 S * 5/1999 Stekelenburg D13/139.6
D796,445 S * 9/2017 Xu D13/139.6
D864,874 S * 10/2019 Xu D13/139.8
D867,998 S * 11/2019 Gorretta D13/139.8
D900,033 S 10/2020 Chen
D922,953 S * 6/2021 Mei D13/139.8

1 Claim, 8 Drawing Sheets



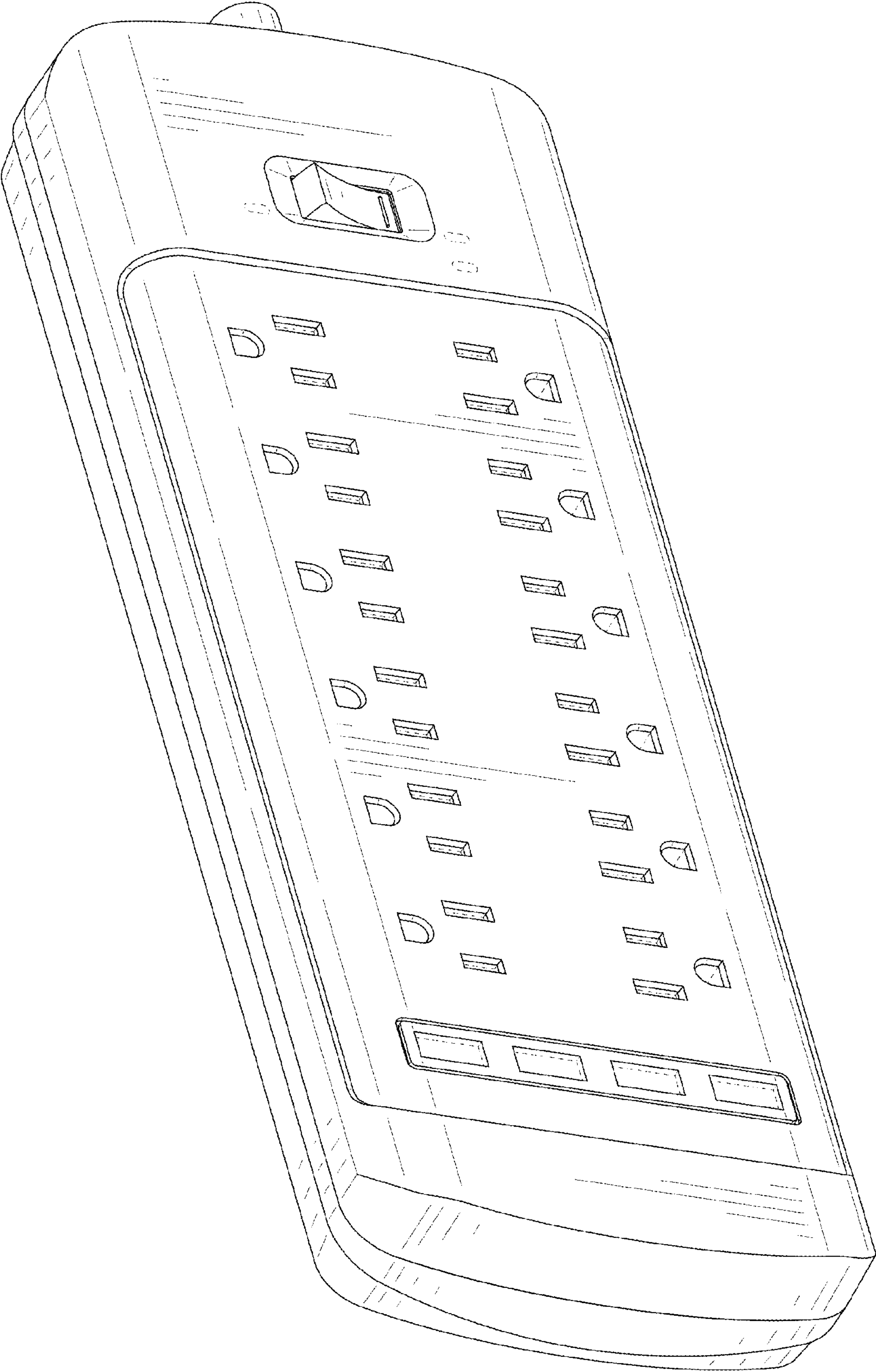


FIG. 1

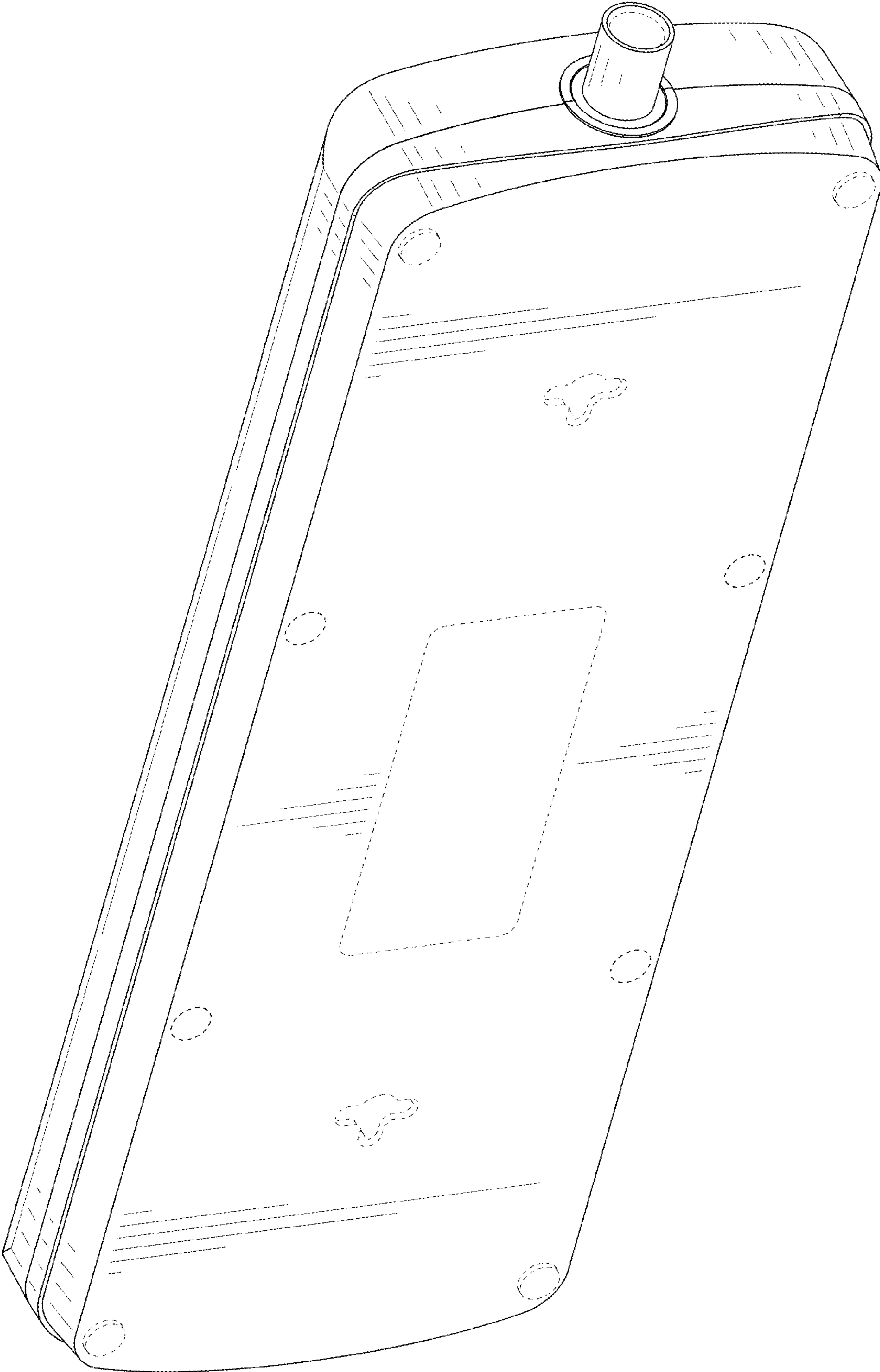


FIG. 2

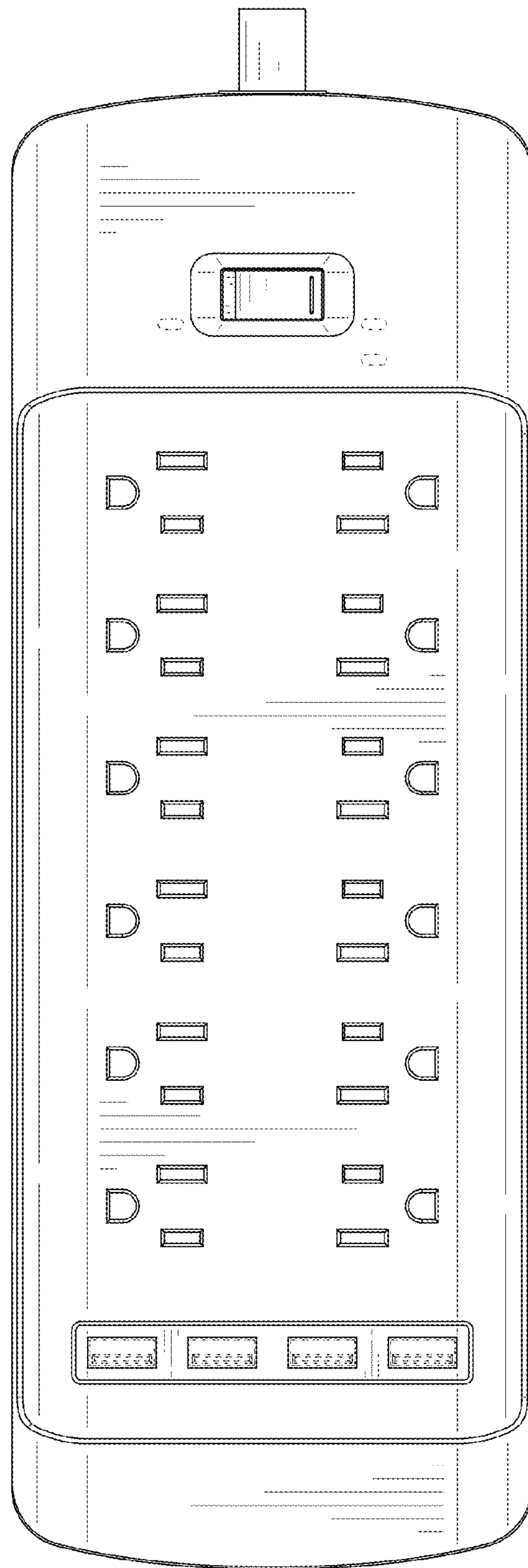


FIG. 3

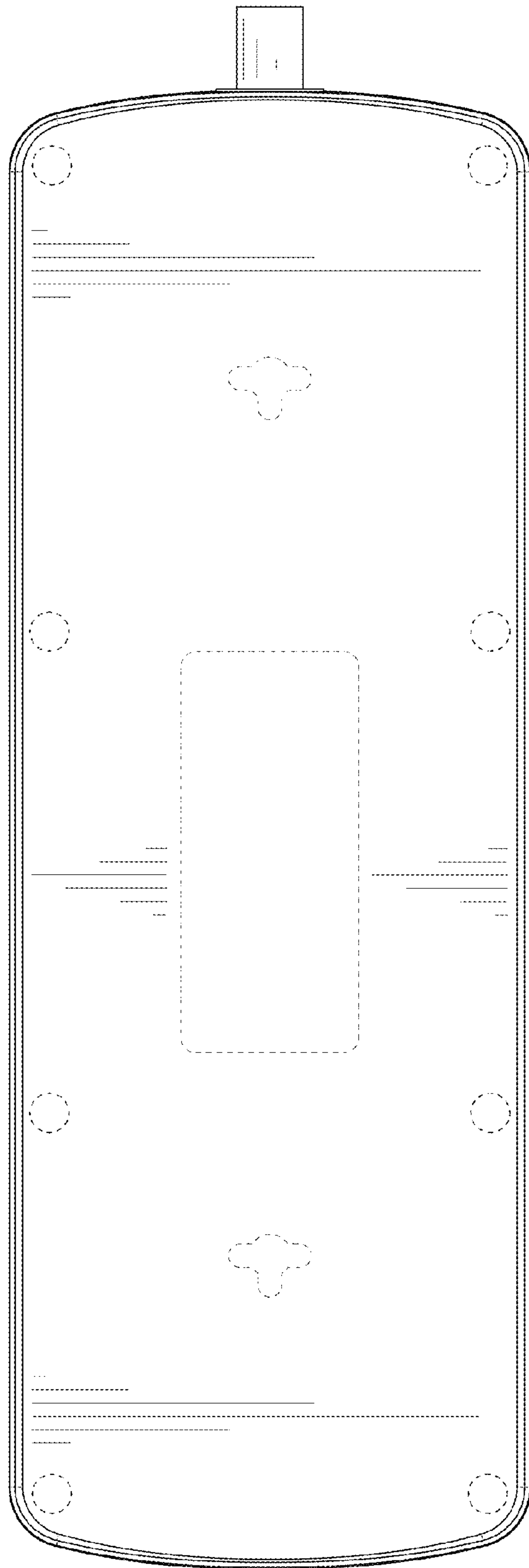


FIG. 4

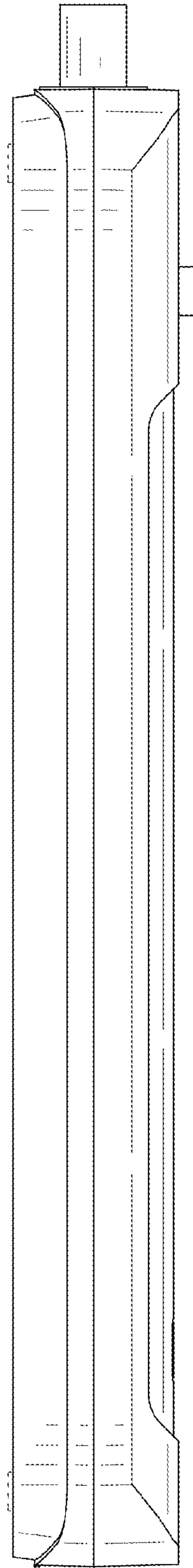


FIG. 5

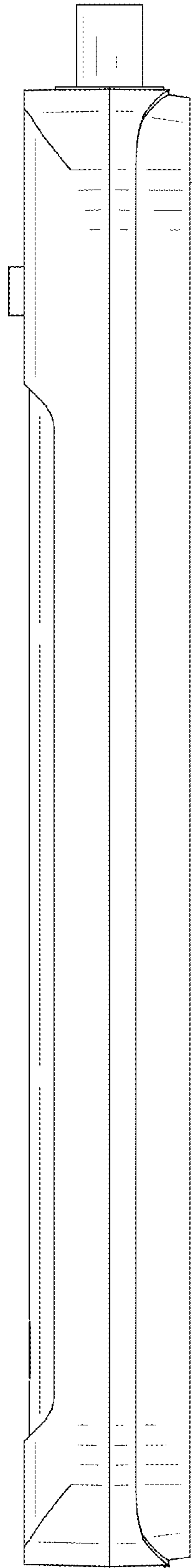


FIG. 6

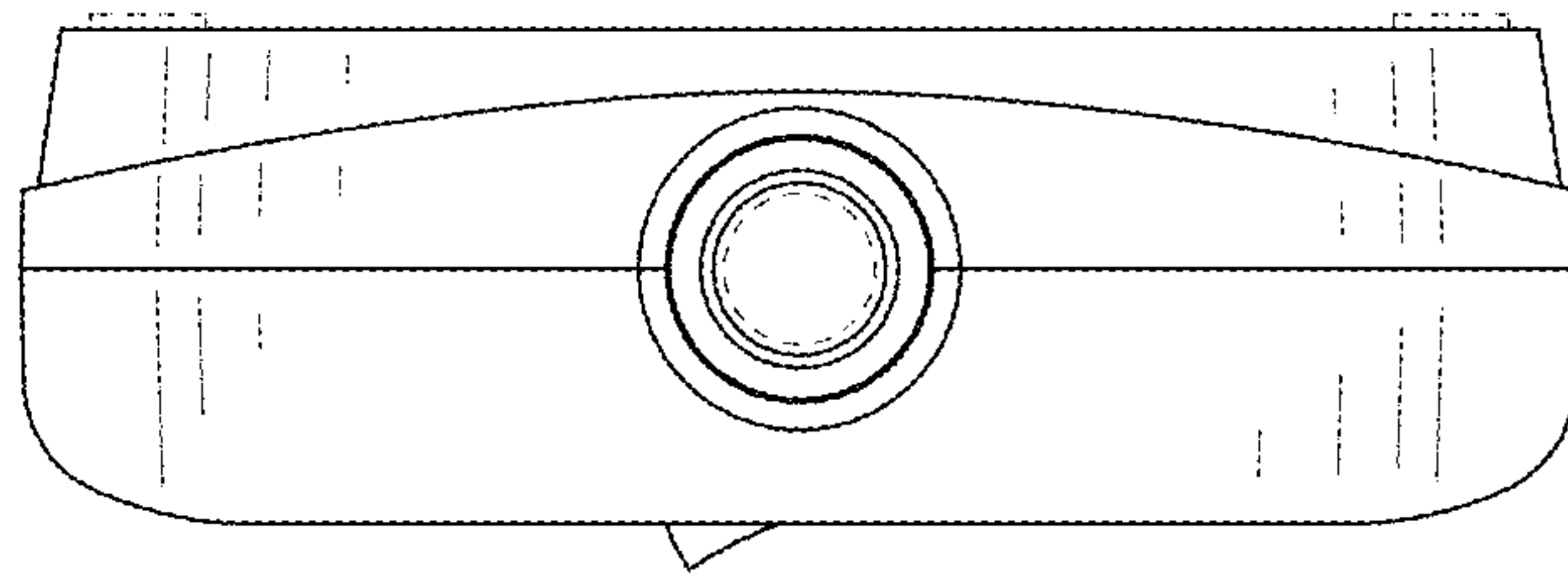


FIG. 7

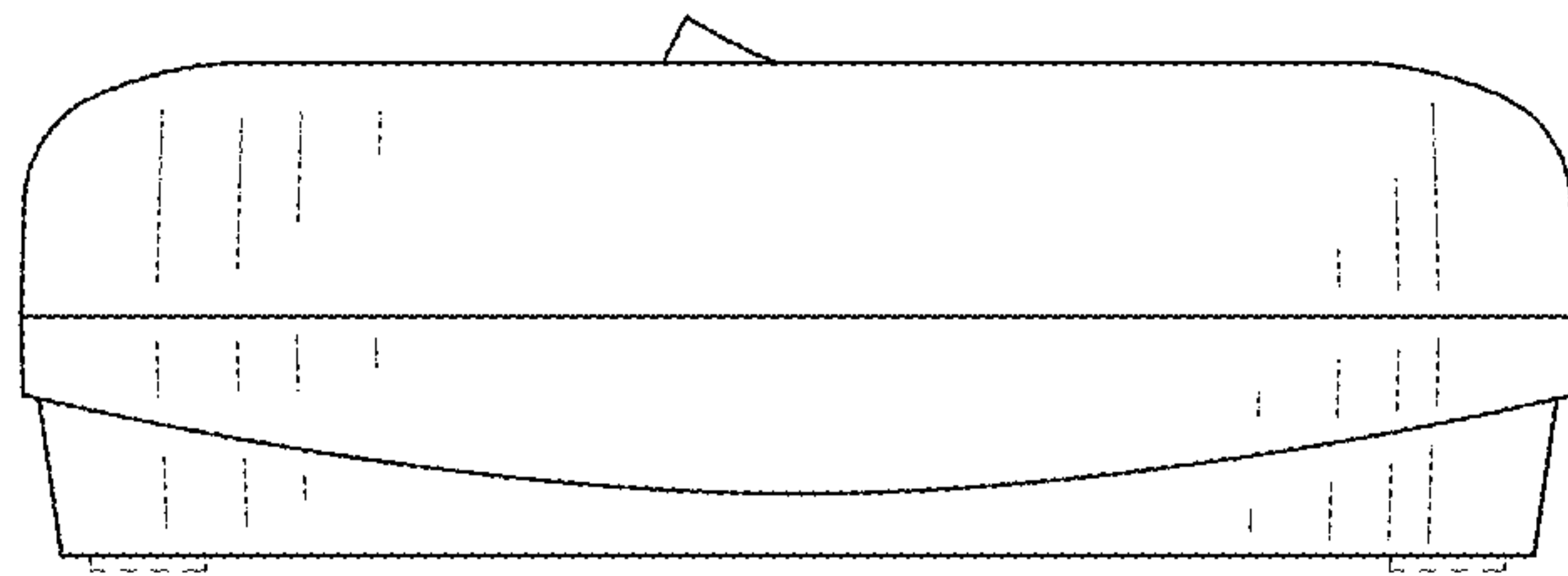


FIG. 8