



US00D934809S

(12) **United States Design Patent**
Altonen et al.

(10) **Patent No.:** **US D934,809 S**

(45) **Date of Patent:** **** Nov. 2, 2021**

(54) **ELECTRICAL RECEPTACLE**

(71) Applicant: **Lutron Technology Company LLC**,
Coopersburg, PA (US)

(72) Inventors: **Gregory Altonen**, Easton, PA (US);
Jason C. Killo, Emmaus, PA (US);
Brad Michael Kreschollek, Bethlehem,
PA (US); **Noel Mayo**, Philadelphia, PA
(US)

(73) Assignee: **Lutron Technology Company LLC**,
Coopersburg, PA (US)

(**) Term: **15 Years**

(21) Appl. No.: **29/772,388**

(22) Filed: **Mar. 1, 2021**

Related U.S. Application Data

(62) Division of application No. 29/735,639, filed on May
22, 2020, now Pat. No. Des. 911,973, which is a
(Continued)

(51) **LOC (13) Cl.** **13-03**

(52) **U.S. Cl.**
USPC **D13/139.3**

(58) **Field of Classification Search**
USPC D13/103, 107, 108, 110, 133,
D13/137.1-137.4, 138.1-138.2,
D13/139.1-139.8, 146, 147, 151-156,
D13/173, 177, 199, 139.3, 139.6, 15-156,
D13/184, 139.1-139.8; D8/350, 353-356
CPC H01R 11/00; H01R 9/00; H01R 13/00;
H01R 13/04; H01R 13/10; H01R
13/6666; H01R 13/6675; H01R 25/00;
H01R 25/006; H01R 13/46; H01R 24/28;
H01H 2207/00; H01H 2207/022; Y02E
60/12; Y02E 60/122; Y02E 60/124; Y02E
60/50; H01M 2/02; H01M 2/022; H01M
2/0202; H01M 2/0207; H01M 2/0212;
H01M 2/1061; H01M 2/1022; H01M
2/1055; H01M 2/1066; H01M 2/105;

H01M 2/204; H02J 7/00; H02J 7/0003;
H02J 7/0011; H02J 7/0013; H02J 7/0054;
H02J 7/0055; H02J 7/0057; Y02T
10/7005; Y02T 10/705;

(Continued)

(56) **References Cited**

U.S. PATENT DOCUMENTS

D430,539 S * 9/2000 Leopold D13/139.3
7,938,676 B1 5/2011 Patel et al.

(Continued)

OTHER PUBLICATIONS

Legrand, Plug Load RF Receptacle/Plug Load RF Signal Pack,
Specification Sheet, 4 pages, SF20178, Mar. 2015, US.

Primary Examiner — Christy Nemeth

(57) **CLAIM**

We claim the ornamental design for an electrical receptacle,
as shown and described.

DESCRIPTION

FIG. 1 is a perspective view of an electrical receptacle of our
new design, according to a first embodiment.

FIG. 2 is a front view thereof.

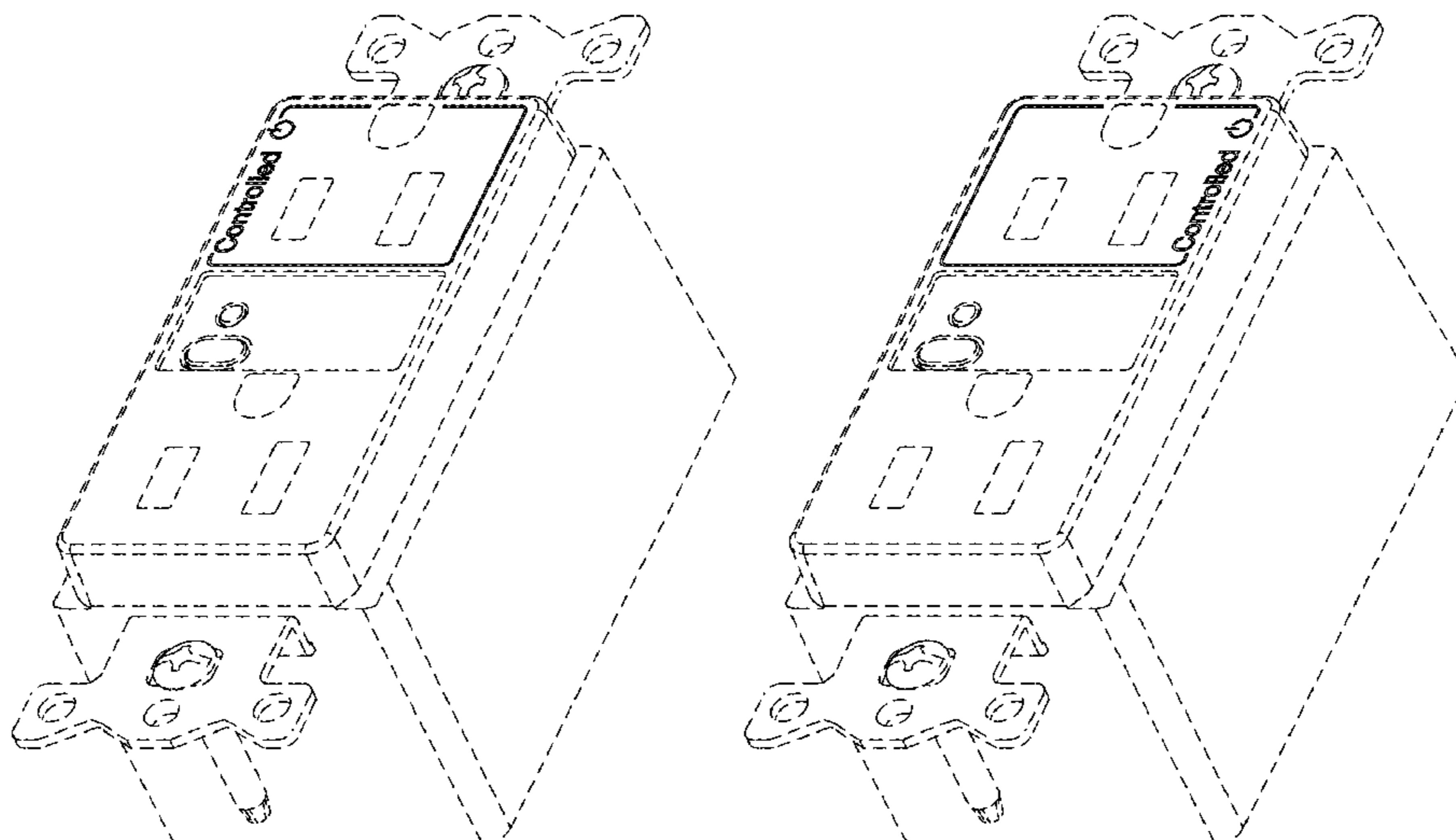
The left side, right side, top, and bottom views of the first
embodiment form no part of the claimed design and are
omitted.

FIG. 3 is a perspective view of an electrical receptacle of our
new design, according to a second embodiment; and,
FIG. 4 is a front view thereof.

The left side, right side, top, and bottom views of the second
embodiment form no part of the claimed design and are
omitted.

The broken lines in the drawings are for the purpose of
illustrating environmental structure and form no part of the
claimed design.

1 Claim, 4 Drawing Sheets



Related U.S. Application Data

division of application No. 29/600,705, filed on Apr. 14, 2017, now Pat. No. Des. 887,983.

(58) **Field of Classification Search**

CPC Y02T 10/7088; B60L 11/1809; B60L 11/1861; H01B 7/2806

See application file for complete search history.

(56) **References Cited**

U.S. PATENT DOCUMENTS

D686,577 S * 7/2013 Flagello D13/152
 D703,139 S * 4/2014 Dodal D13/139.1
 D705,734 S * 5/2014 Dodal D13/139.1
 D713,344 S * 9/2014 Padro D13/139.3
 D719,511 S * 12/2014 Dodal D13/139.1
 D778,239 S 2/2017 LiiDong et al.
 D840,346 S 2/2019 Weeks
 D840,348 S 2/2019 Weeks
 D840,349 S 2/2019 Weeks
 D845,245 S 4/2019 Tao
 D851,042 S 6/2019 Pan et al.

D853,333 S 7/2019 Salas et al.
 D856,935 S * 8/2019 Pan D13/139.3
 10,395,871 B1 * 8/2019 Salas H01H 71/0207
 D858,444 S 9/2019 LiDong et al.
 D858,445 S 9/2019 LiDong et al.
 10,424,863 B1 * 9/2019 Zhuang H01R 13/4532
 D870,046 S * 12/2019 Salas D13/139.3
 D870,047 S 12/2019 Salas et al.
 D870,671 S 12/2019 Salas et al.
 D877,081 S * 3/2020 Salas D13/139.3
 D883,220 S * 5/2020 Salas D13/139.3
 D883,221 S * 5/2020 Salas D13/139.3
 D887,362 S * 6/2020 Pan D13/139.1
 D887,983 S * 6/2020 Altonen D13/139.3
 D911,973 S * 3/2021 Altonen D13/139.3
 2008/0013239 A1 * 1/2008 Kopelman G01K 3/005
 361/103
 2013/0260613 A1 * 10/2013 Misener H01R 27/02
 439/653
 2014/0132084 A1 5/2014 Pham et al.
 2015/0249337 A1 9/2015 Raneri et al.
 2016/0111837 A1 * 4/2016 Misener F21V 21/04
 439/345
 2018/0375313 A1 * 12/2018 Misener F21S 9/022

* cited by examiner

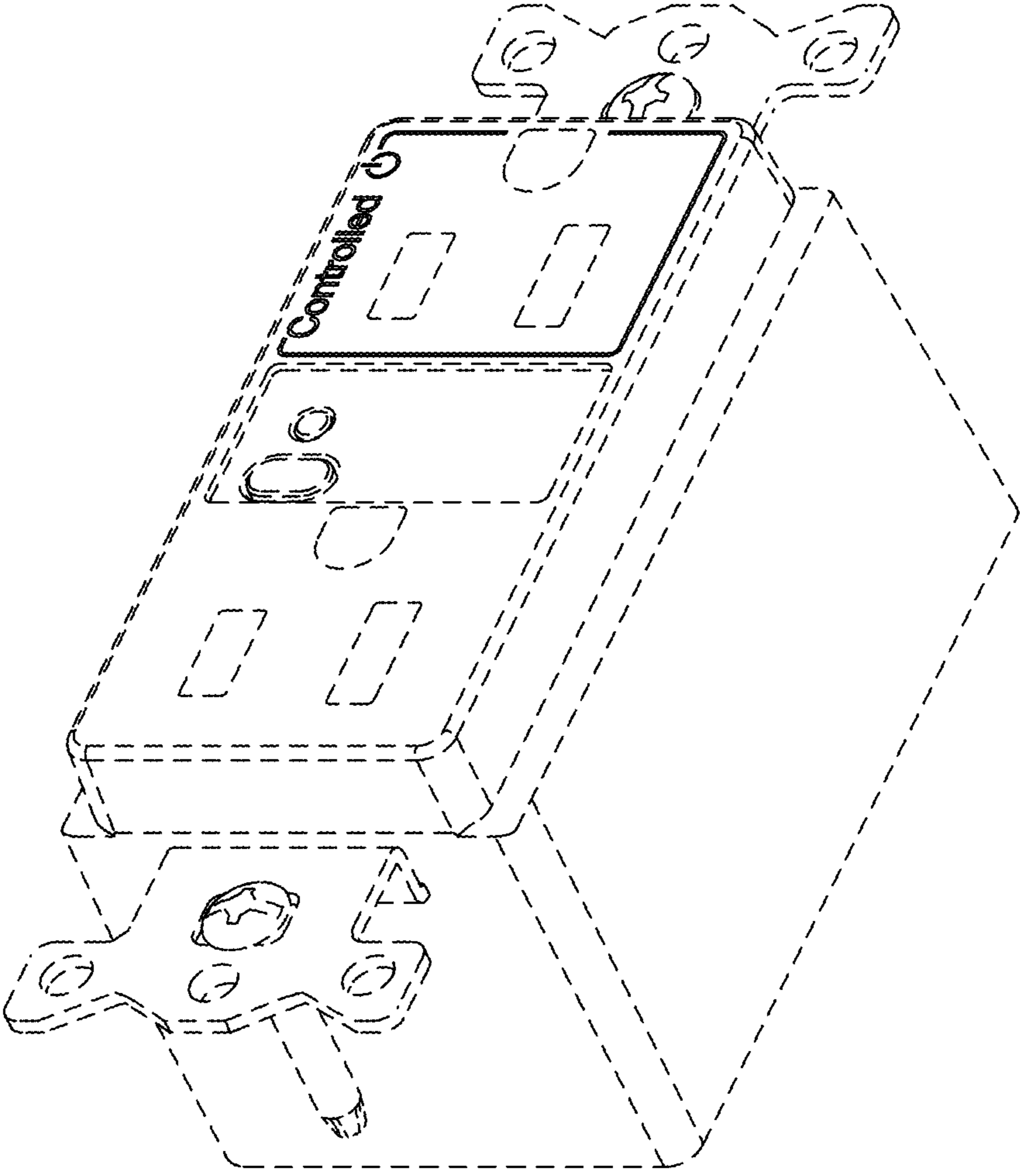


Fig. 1

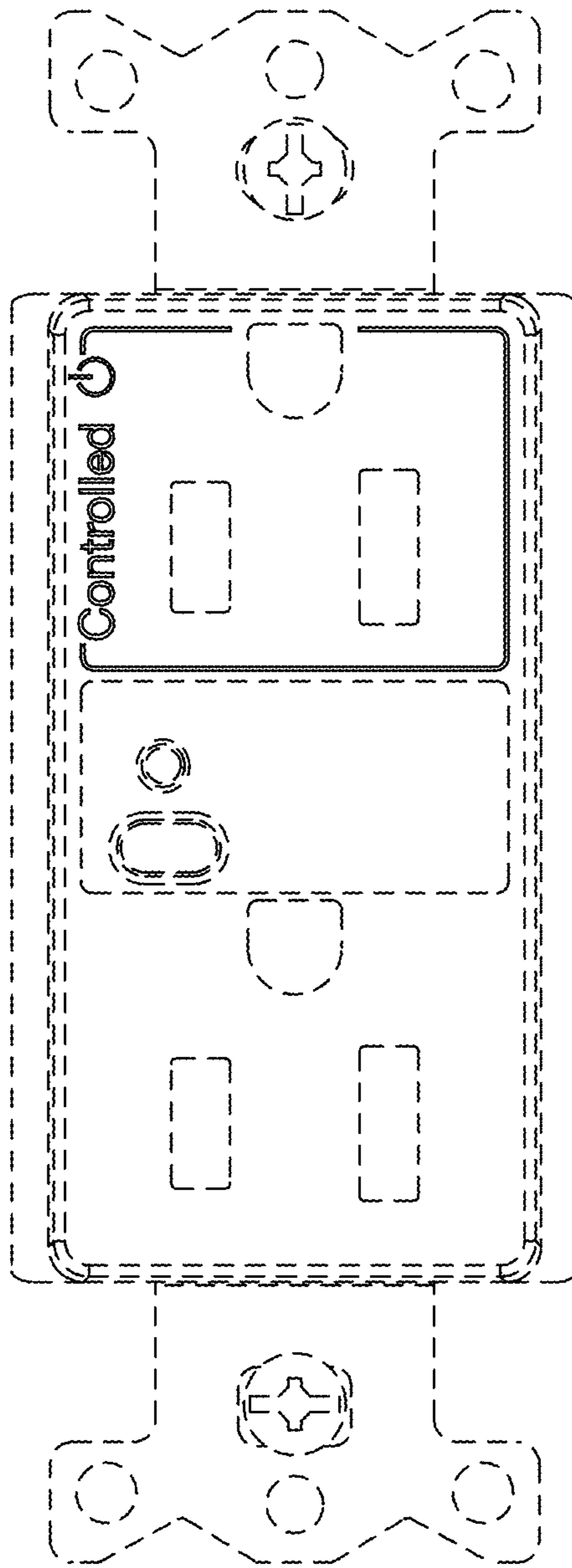


Fig. 2

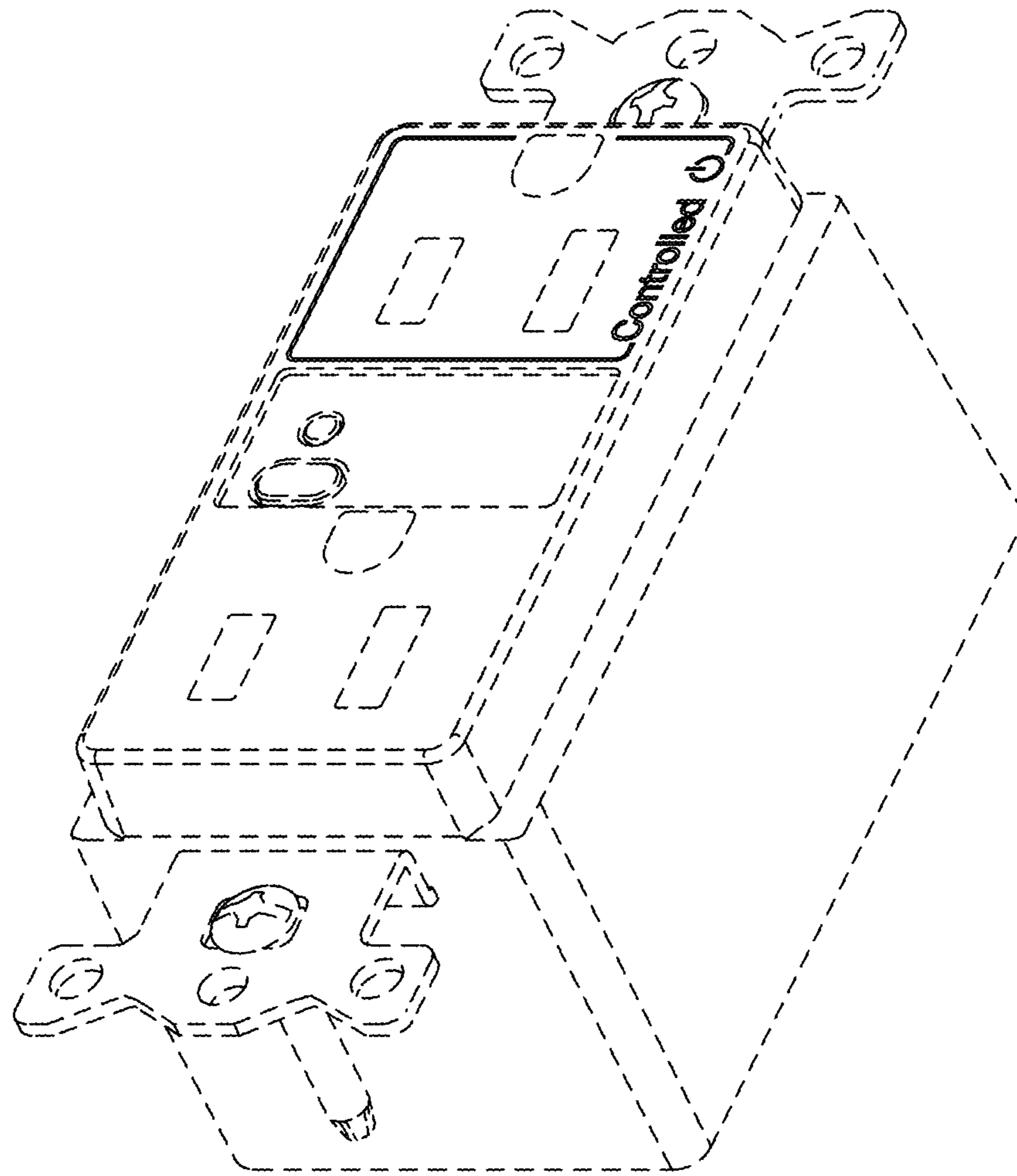


Fig. 3

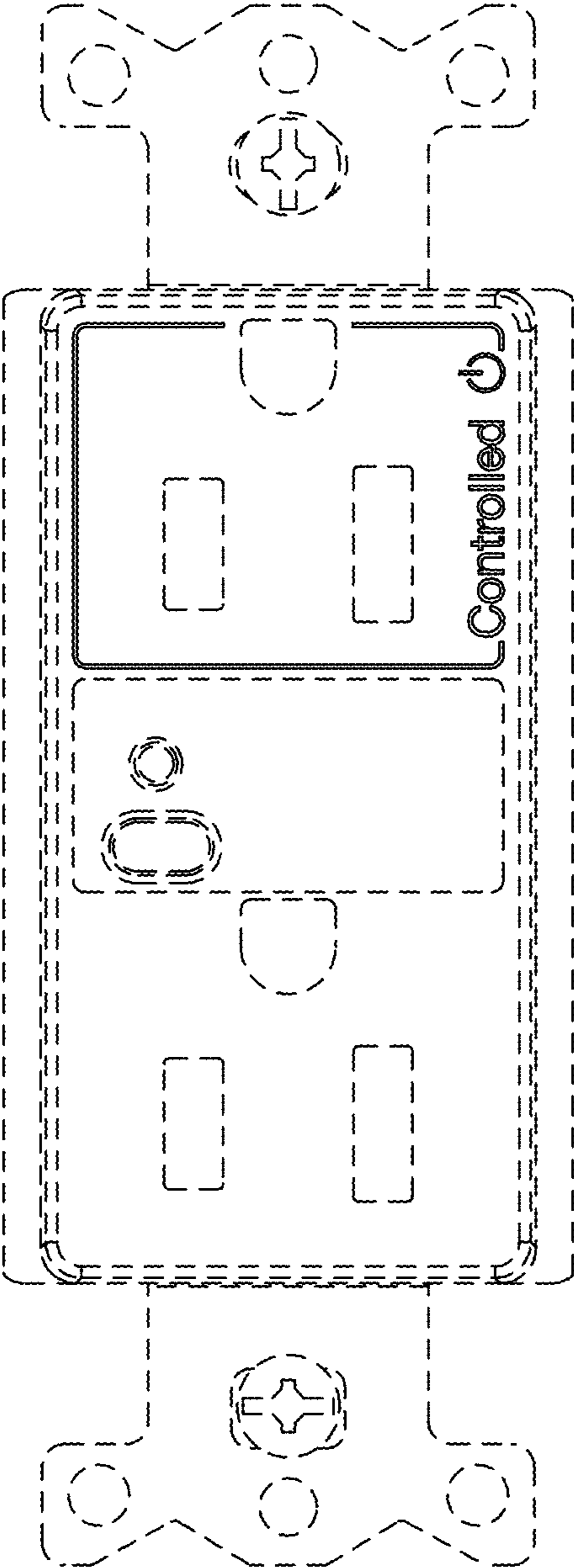


Fig. 4