



US00D934808S

(12) **United States Design Patent** (10) **Patent No.:** **US D934,808 S**
Cyzen et al. (45) **Date of Patent:** **** Nov. 2, 2021**

(54) **POWER CORD RETENTION DEVICE**

7/0054; H02J 7/0055; H02J 7/0057;
Y02T 10/7005; Y02T 10/705;

(71) Applicant: **Keith Cyzen**, Glen Ellyn, IL (US)

(Continued)

(72) Inventors: **Keith Cyzen**, Glen Ellyn, IL (US);
Mike Rafferty, Madison, WI (US)

(56) **References Cited**

(73) Assignee: **Keith Cyzen**, Glen Ellyn, IL (US)

U.S. PATENT DOCUMENTS

(**) Term: **15 Years**

D405,765 S * 2/1999 Yu D13/160
D614,129 S ‡ 4/2010 Nylen D13/108
D621,348 S ‡ 8/2010 Nylen D13/108

(21) Appl. No.: **29/733,402**

(Continued)

(22) Filed: **May 1, 2020**

Primary Examiner — Christy Nemeth

(74) *Attorney, Agent, or Firm* — Marshall, Gerstein &
Borun LLP

Related U.S. Application Data

(62) Division of application No. 29/663,660, filed on Sep.
18, 2018, now Pat. No. Des. 886,063.

(51) **LOC (13) Cl.** **13-03**

(52) **U.S. Cl.**
USPC **D13/138.1**

(58) **Field of Classification Search**
USPC D13/103, 107, 108, 110, 133,
D13/137.1–137.4, 138.1–138.2,
D13/139.1–139.8, 146, 147, 151–156,
D13/173, 177, 199, 118, 119, 122, 123,
D13/139.1–139.8, 160, 178, 184;
D14/432, 433, 435.1, 250; D23/231, 232;
D15/7–9, 136; D8/350, 353–356, 351
CPC H01R 11/00; H01R 9/00; H01R 13/00;
H01R 13/04; H01R 13/10; H01R
13/6666; H01R 13/6675; H01R 25/00;
H01R 25/006; H01R 13/44; H01R 13/66;
H01R 13/652; H01R 31/065; H01R
31/00; H01H 2207/00; H01H 2207/022;
Y02E 60/12; Y02E 60/122; Y02E 60/124;
Y02E 60/50; H01M 2/02; H01M 2/022;
H01M 2/0202; H01M 2/0207; H01M
2/0212; H01M 2/1061; H01M 2/1022;
H01M 2/1055; H01M 2/1066; H01M
2/105; H01M 2/204; H02J 7/00; H02J
7/0003; H02J 7/0011; H02J 7/0013; H02J

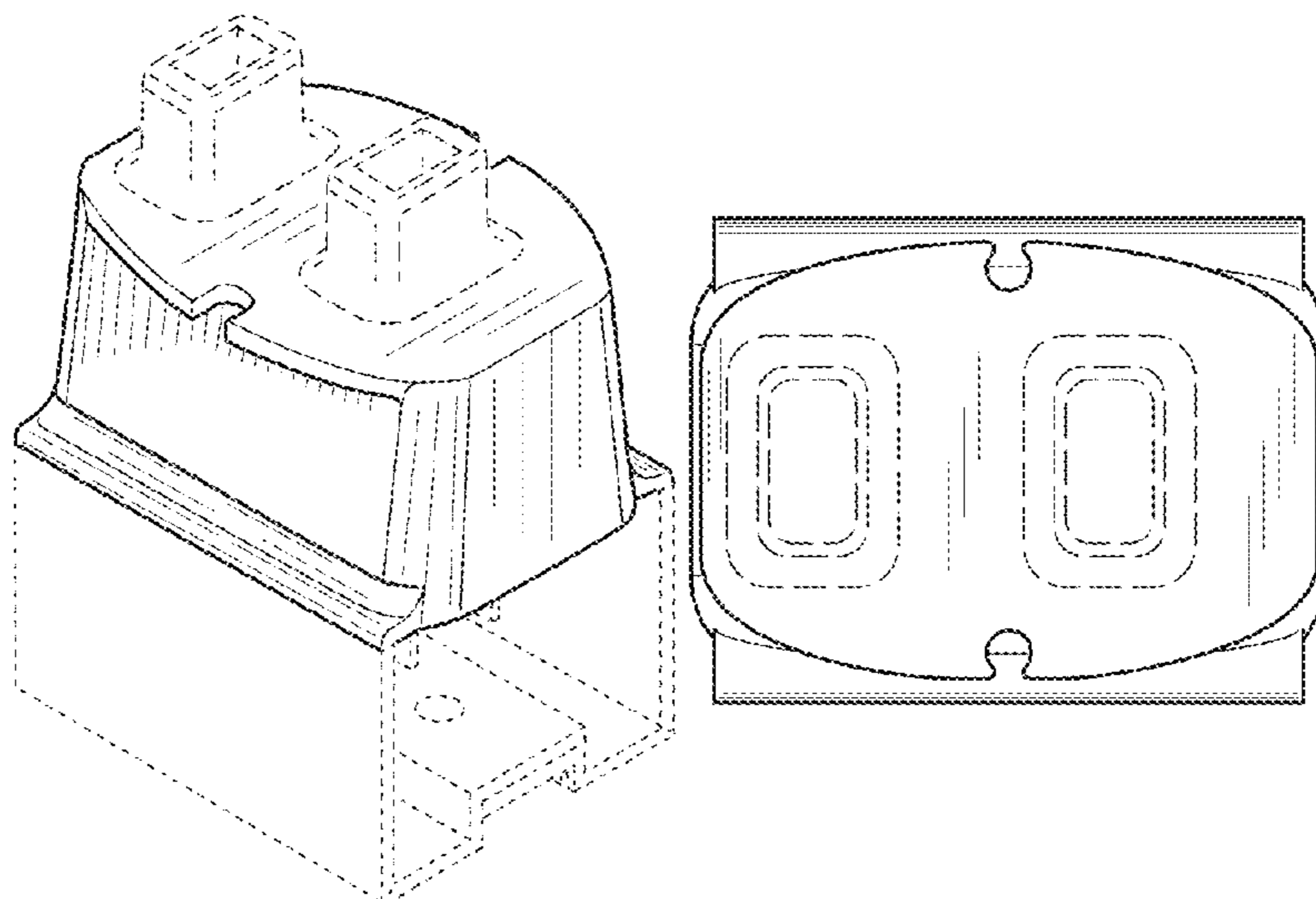
(57) **CLAIM**

The ornamental design for a power cord retention device, as
shown and described.

DESCRIPTION

FIG. 1 is a perspective view of a power cord retention
device, shown in an environment of use;
FIG. 2 is another perspective view of the power cord
retention device of FIG. 1;
FIG. 3 is a front view of the power cord retention device of
FIG. 1;
FIG. 4 is a rear view of the power cord retention device of
FIG. 1;
FIG. 5 is a right-side view of the power cord retention device
of FIG. 1;
FIG. 6 is a left-side view of the power cord retention device
of FIG. 1;
FIG. 7 is a top view of the power cord retention device of
FIG. 1; and,
FIG. 8 is a bottom view of the power cord retention device
of FIG. 1.
The broken lines in the drawings illustrate environmental
subject matter and portions of the article that form no part of
the claim.

1 Claim, 8 Drawing Sheets



(58) **Field of Classification Search**
 CPC Y02T 10/7088; B60L 11/1809; B60L
 11/1861
 See application file for complete search history.

(56) **References Cited**

U.S. PATENT DOCUMENTS

D621,349 S ‡ 8/2010 Nylén D13/108
 D623,594 S * 9/2010 Akana D13/138.2
 D627,729 S ‡ 11/2010 Smith D13/108
 D652,801 S ‡ 1/2012 Zou D13/139.8
 D653,214 S ‡ 1/2012 Zou D13/138.2
 D660,796 S ‡ 5/2012 Wen D13/110
 D682,793 S * 5/2013 Igelmund D13/156
 D697,481 S * 1/2014 Akana D13/138.1
 D702,631 S ‡ 4/2014 Esses D13/108
 D704,630 S ‡ 5/2014 Liu D13/108
 D705,725 S ‡ 5/2014 Ryu D13/108

D742,831 S ‡ 11/2015 Yu D13/139.6
 D759,016 S ‡ 6/2016 Zaslavsky D14/433
 D819,572 S ‡ 6/2018 Ye D13/138.2
 D821,977 S ‡ 7/2018 Ye D13/138.2
 D823,263 S * 7/2018 Cyzen D13/156
 D849,577 S ‡ 5/2019 Aromin D10/78
 D860,138 S ‡ 9/2019 Aromin D13/138.2
 D860,141 S * 9/2019 Cyzen D13/156
 D860,940 S * 9/2019 Delmaere D13/110
 10,439,327 B1 ‡ 10/2019 Cyzen H02G 3/14
 D867,286 S ‡ 11/2019 Akana D13/110
 D867,287 S ‡ 11/2019 Akana D13/110
 D870,114 S * 12/2019 Laffon de Mazieres D14/433
 D872,035 S ‡ 1/2020 Aromin D13/160
 D886,063 S * 6/2020 Cyzen D13/138.1
 D886,745 S * 6/2020 Cyzen D13/156
 D887,361 S * 6/2020 Tak D13/138.1
 D889,417 S * 7/2020 Cyzen D13/156
 2020/0295801 A1 * 9/2020 Cyzen H04B 3/542

* cited by examiner

‡ imported from a related application

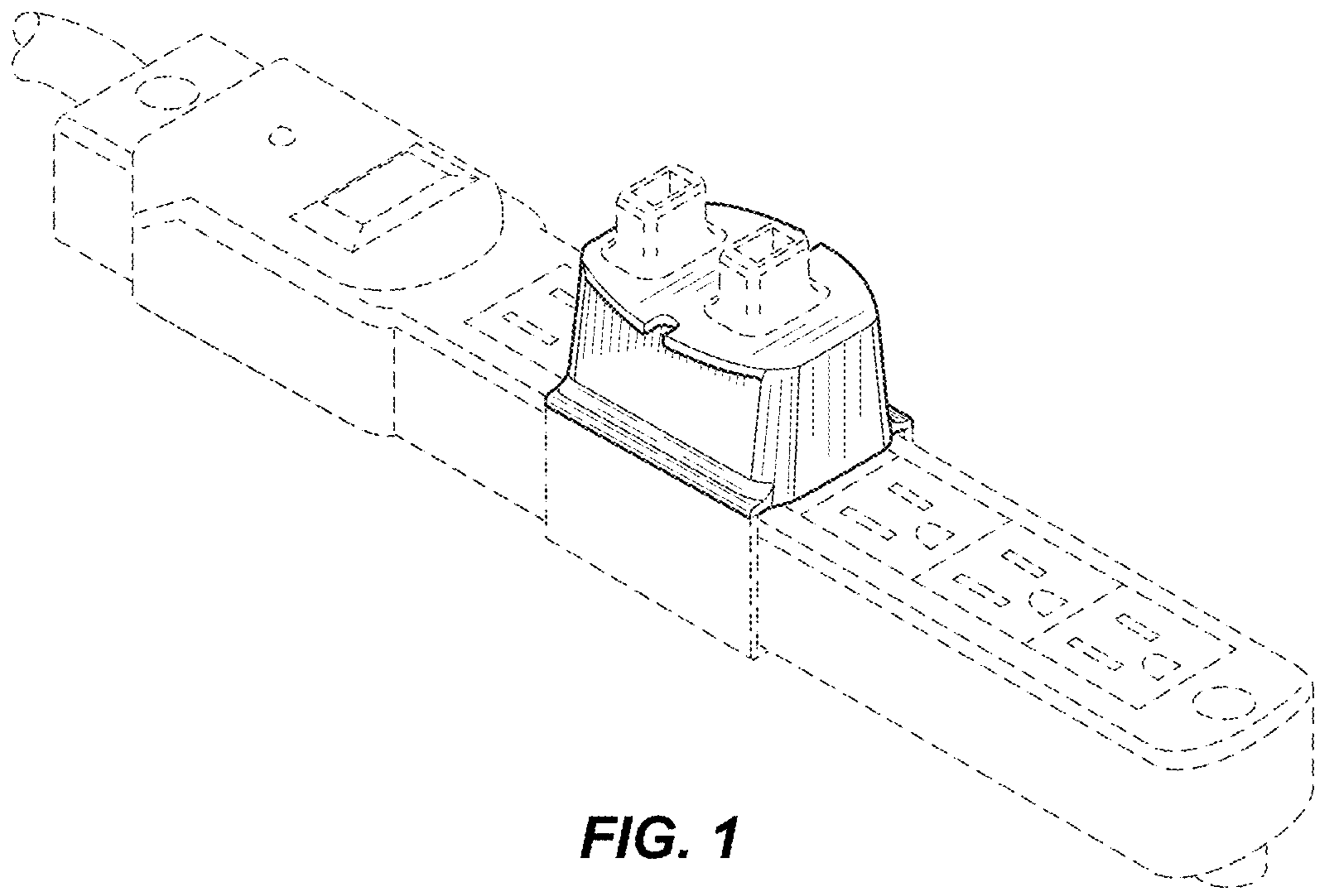


FIG. 1

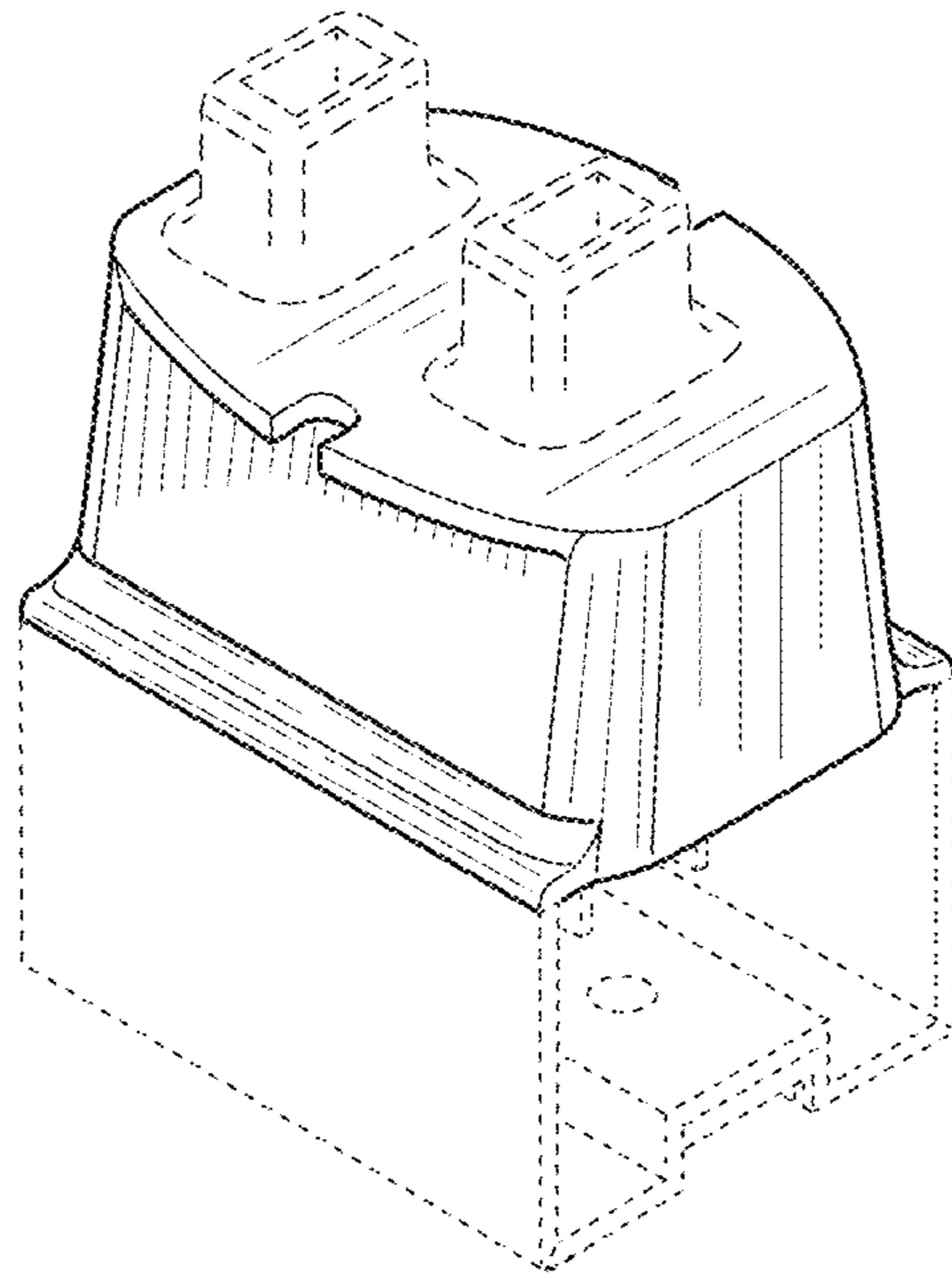


FIG. 2

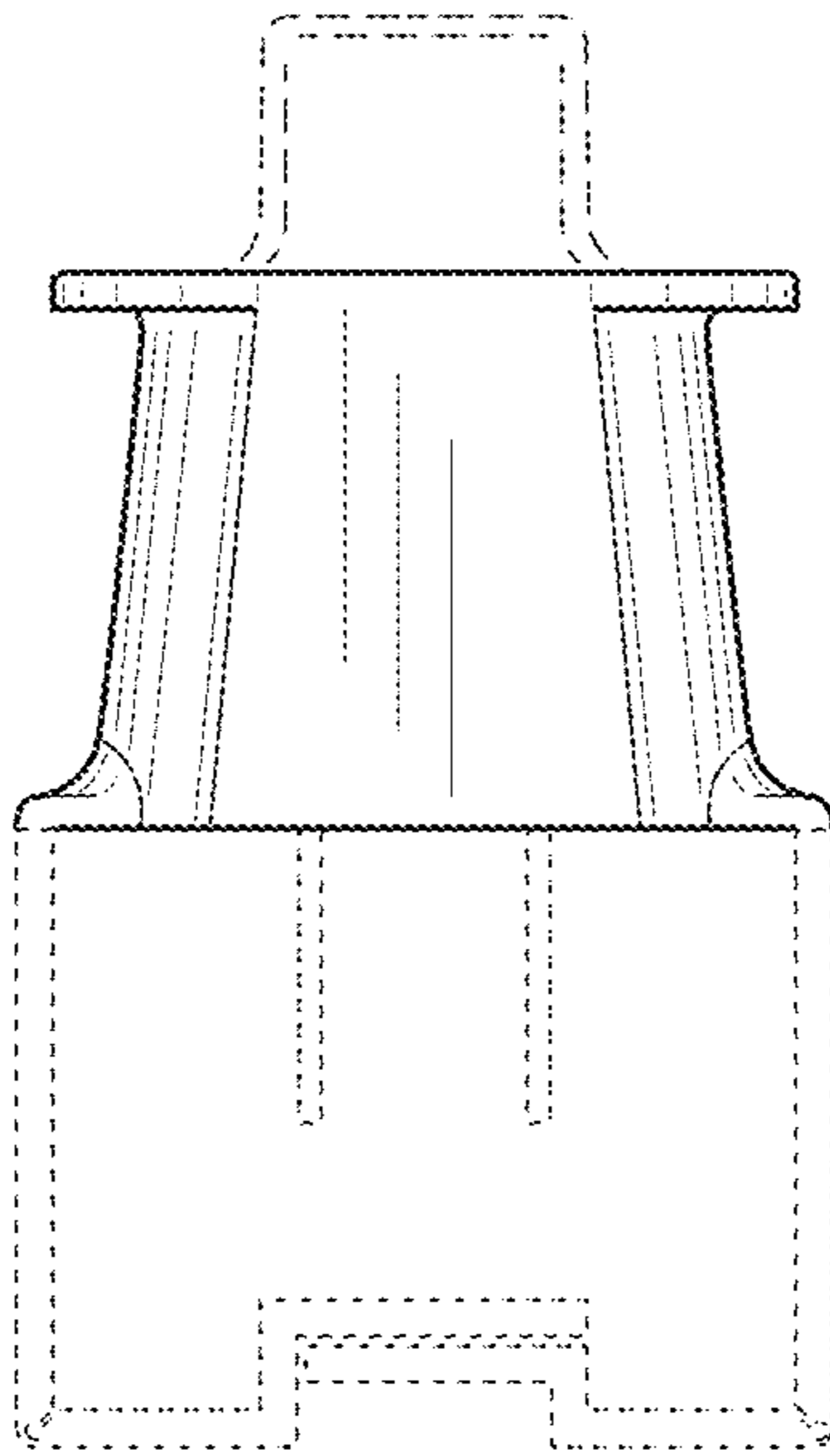


FIG. 3

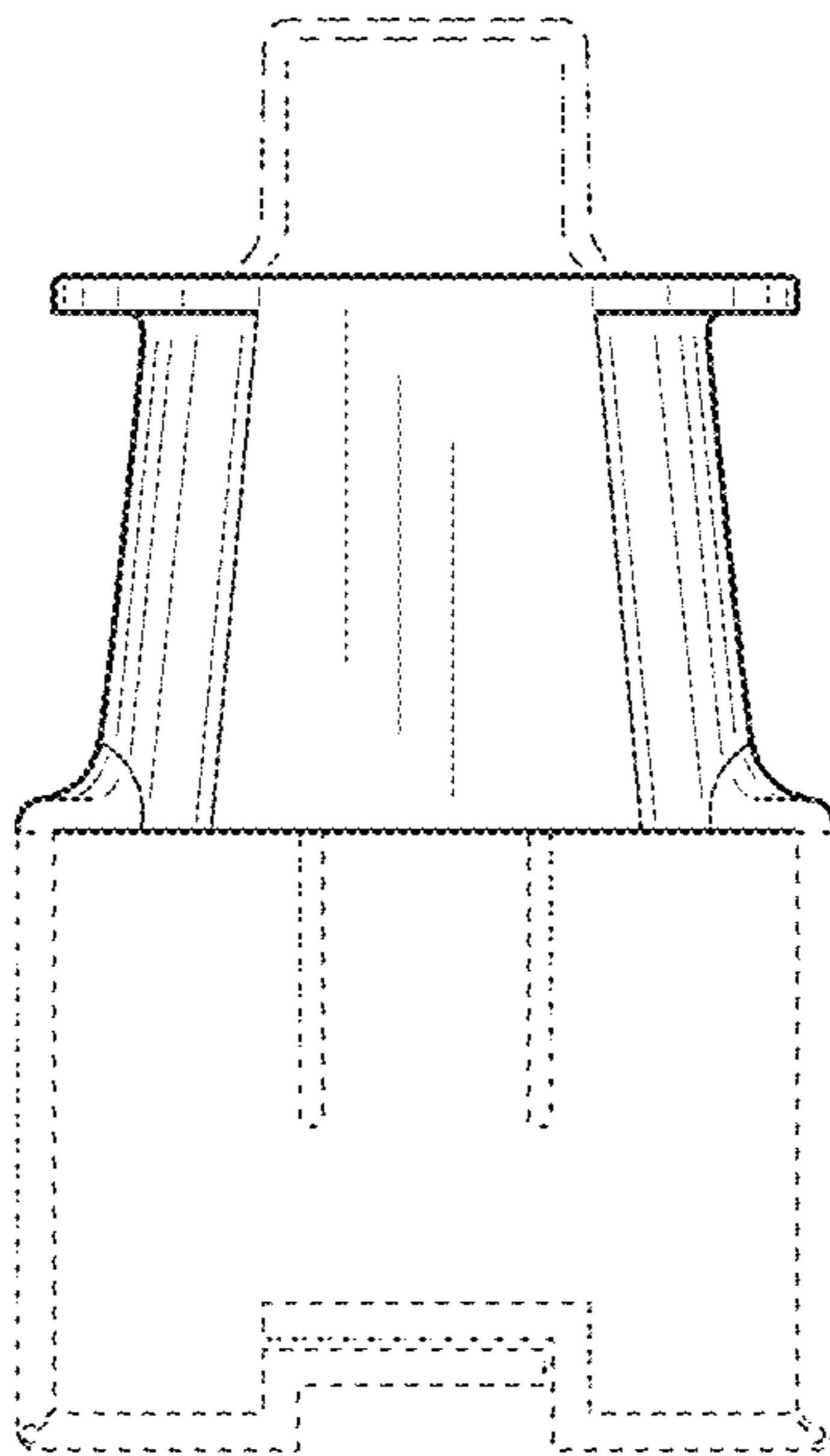


FIG. 4

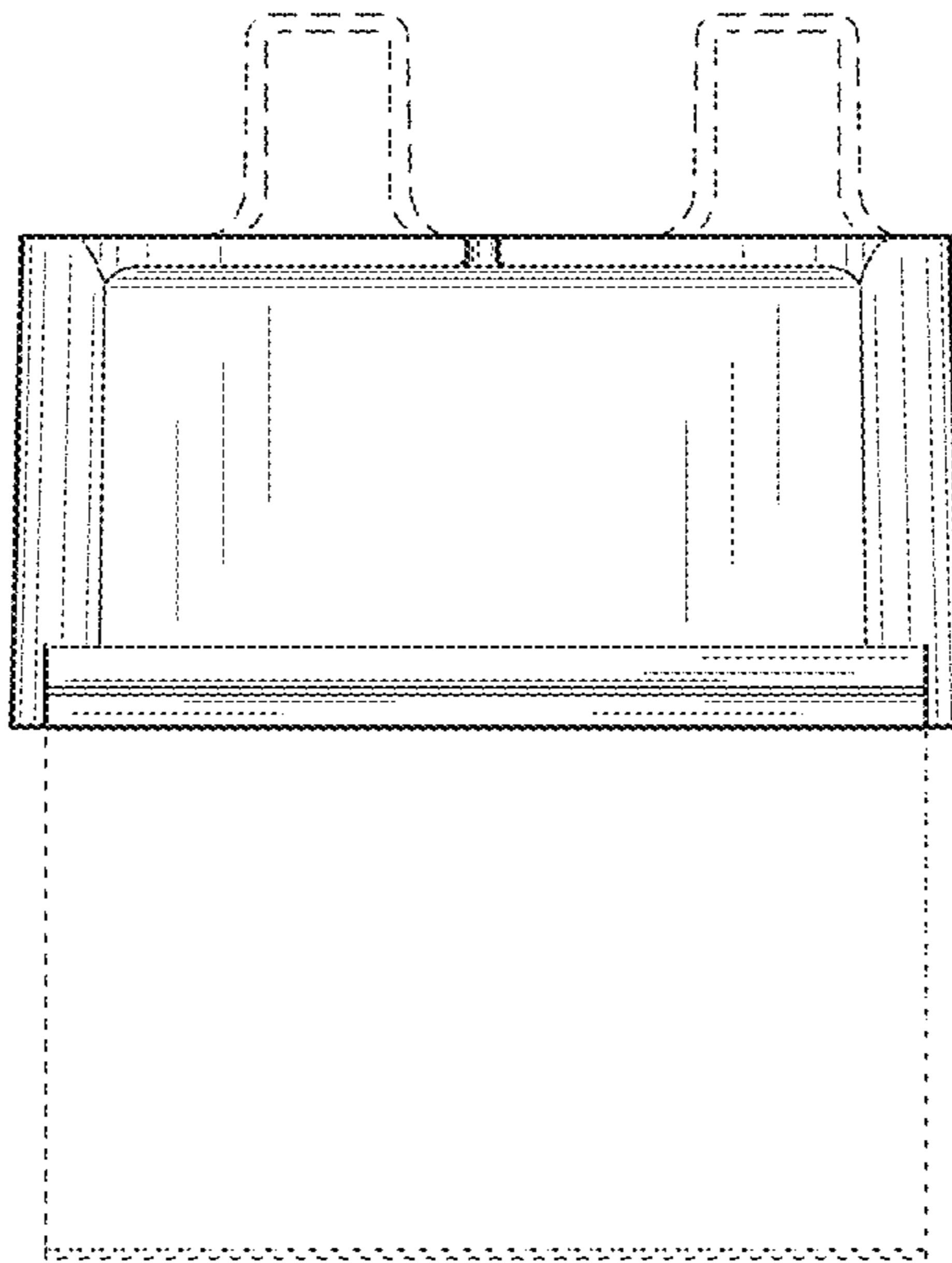


FIG. 5

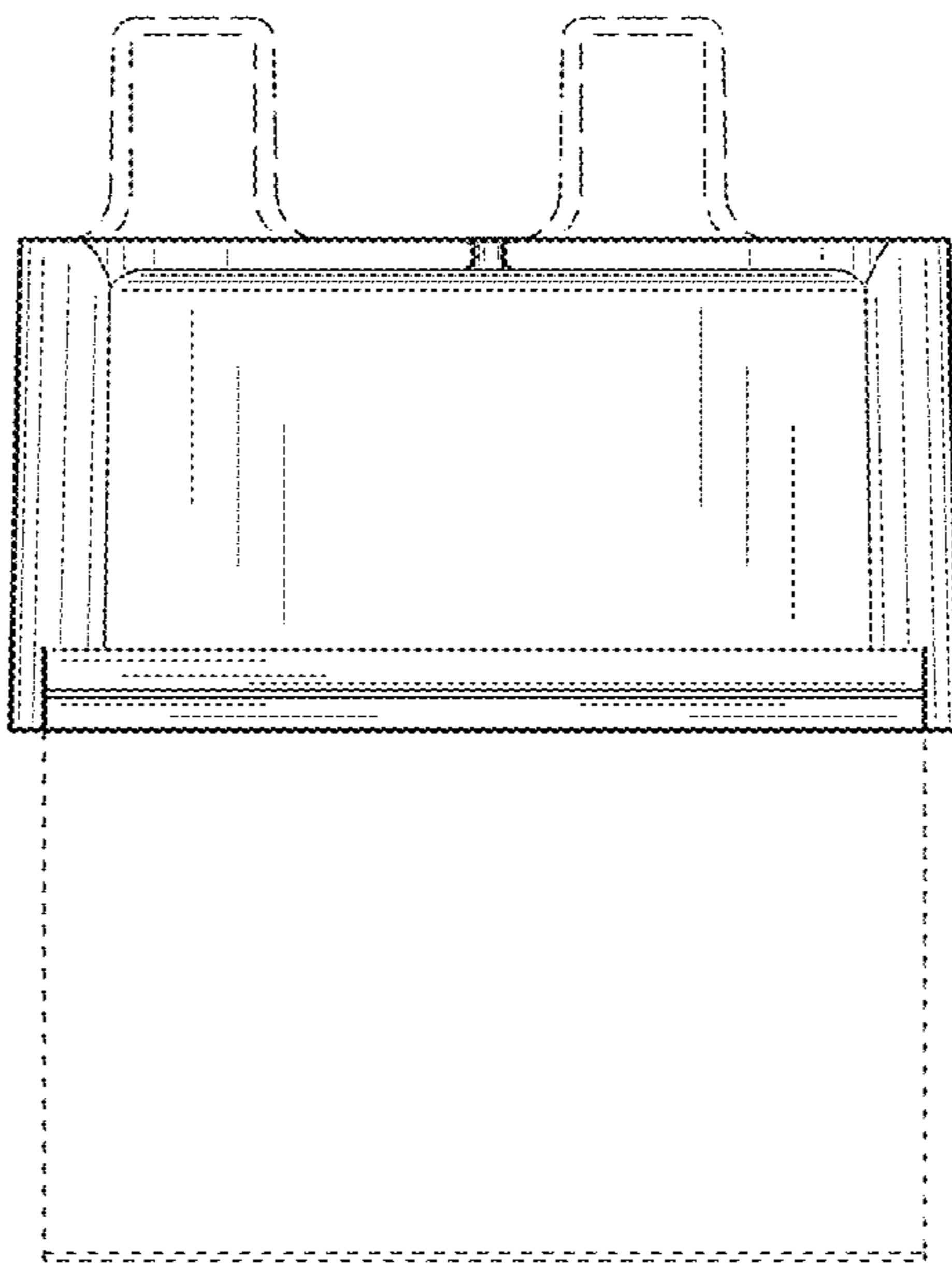


FIG. 6

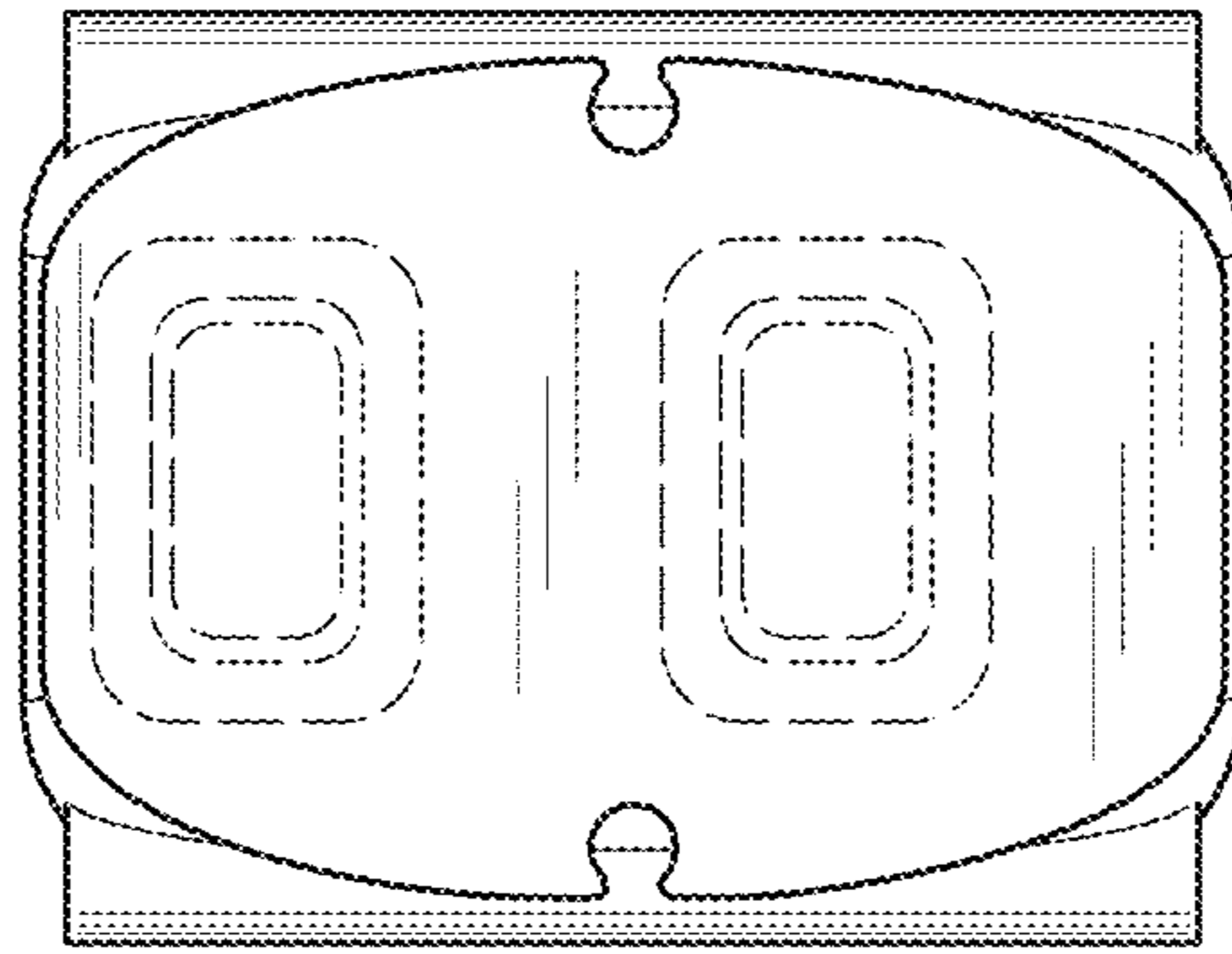


FIG. 7

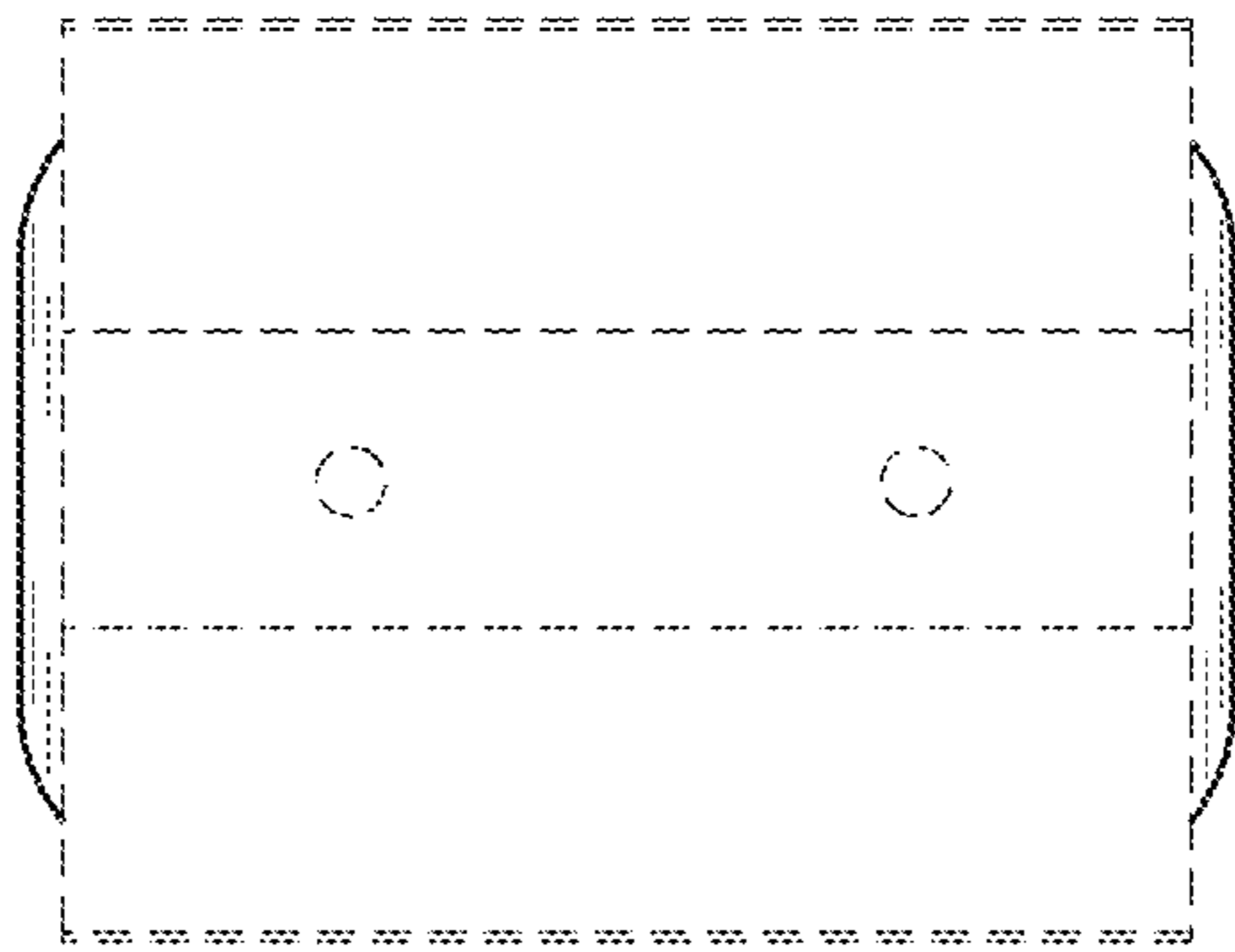


FIG. 8