



US00D934803S

(12) **United States Design Patent** (10) **Patent No.:** **US D934,803 S**
Kanda et al. (45) **Date of Patent:** **** Nov. 2, 2021**

(54) **BATTERY CONTROLLER**

(71) Applicant: **DENSO CORPORATION**, Kariya (JP)
(72) Inventors: **Yuko Kanda**, Kariya (JP); **Yuji Kawahara**, Kariya (JP)
(73) Assignee: **DENSO CORPORATION**, Kariya (JP)
(**) Term: **15 Years**

(21) Appl. No.: **29/708,479**

(22) Filed: **Oct. 7, 2019**

(30) **Foreign Application Priority Data**

Apr. 9, 2019 (JP) 2019-007707

(51) **LOC (13) Cl.** **13-02**

(52) **U.S. Cl.**
USPC **D13/119**

(58) **Field of Classification Search**
USPC D13/103, 104, 107, 108, 110, 119, 120,
D13/149, 184, 199; D10/77
CPC H01M 220/20; H01M 50/20; H01M 10/48;
B60R 16/04
See application file for complete search history.

(56) **References Cited**

U.S. PATENT DOCUMENTS

| | | | | | | |
|-----------|---|---|---------|----------|-------|-------------|
| 5,565,282 | A | * | 10/1996 | Feres | | H01M 50/383 |
| | | | | | | 429/84 |
| D763,193 | S | * | 8/2016 | Tyler | | D13/119 |
| D847,745 | S | * | 5/2019 | Kasaba | | D13/119 |
| D903,592 | S | * | 12/2020 | Hoshida | | D13/118 |
| D906,967 | S | * | 1/2021 | Xiao | | D13/119 |
| D911,285 | S | * | 2/2021 | Manuel | | D13/119 |
| D911,961 | S | * | 3/2021 | Hartmann | | D13/119 |
| D917,387 | S | * | 4/2021 | Ludwig | | D13/108 |

(Continued)

OTHER PUBLICATIONS

U.S. Appl. No. 29/708,477, filed Oct. 7, 2019 in the name of Kanda et al.

Primary Examiner — Jennifer O King
(74) *Attorney, Agent, or Firm* — Oliff PLC

(57) **CLAIM**

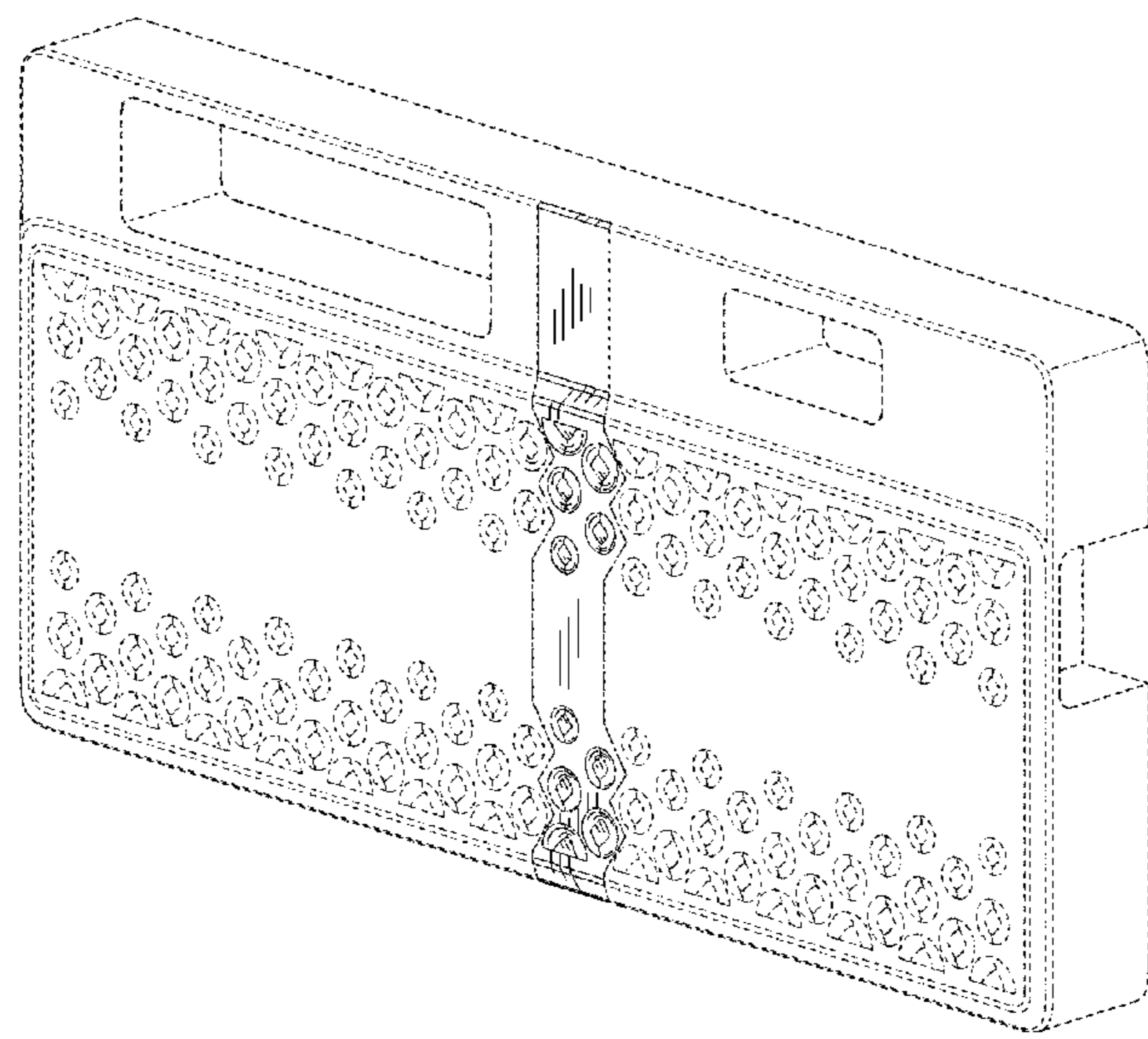
The ornamental design for a battery controller, as shown and described.

DESCRIPTION

FIG. 1 is a front elevational view of the battery controller; FIG. 2 is a rear elevational view thereof; FIG. 3 is a top plan view thereof; FIG. 4 is a bottom plan view thereof; FIG. 5 is a left-side elevational view thereof; FIG. 6 is a right-side elevational view thereof; FIG. 7 is a front, right-side, top perspective view thereof; FIG. 8 is a front, left-side, top perspective view thereof; FIG. 9 is a cross-sectional view thereof taken along line 9-9 in FIG. 1 showing only an outer shape thereof; FIG. 10 is a cross-sectional view thereof taken along line 10-10 in FIG. 1 showing only the outer shape thereof; FIG. 11 is an enlarged front elevational view showing the part enclosed by C-C' and D-D' in FIG. 1; FIG. 12 is an enlarged front elevational view showing the part enclosed by C-C' and E-E' in FIG. 1; FIG. 13 is an enlarged cross-sectional view taken along line 13-13 in FIG. 9; FIG. 14 is an enlarged cross-sectional view taken along line 14-14 in FIG. 9; FIG. 15 is an enlarged cross-sectional view taken along line 15-15 in FIG. 10; and, FIG. 16 is an enlarged cross-sectional view taken along line 16-16 in FIG. 10.

The dot-dash chain lines depict boundaries of the claimed subject matter, and thus form no part of the claimed design. The broken lines depict parts of the battery controller that form no part of the claimed design.

1 Claim, 9 Drawing Sheets



(56)

References Cited

U.S. PATENT DOCUMENTS

D925,452 S * 7/2021 Hartmann D13/119
2020/0350610 A1 * 11/2020 Yoo H01M 50/172

* cited by examiner

FIG. 1

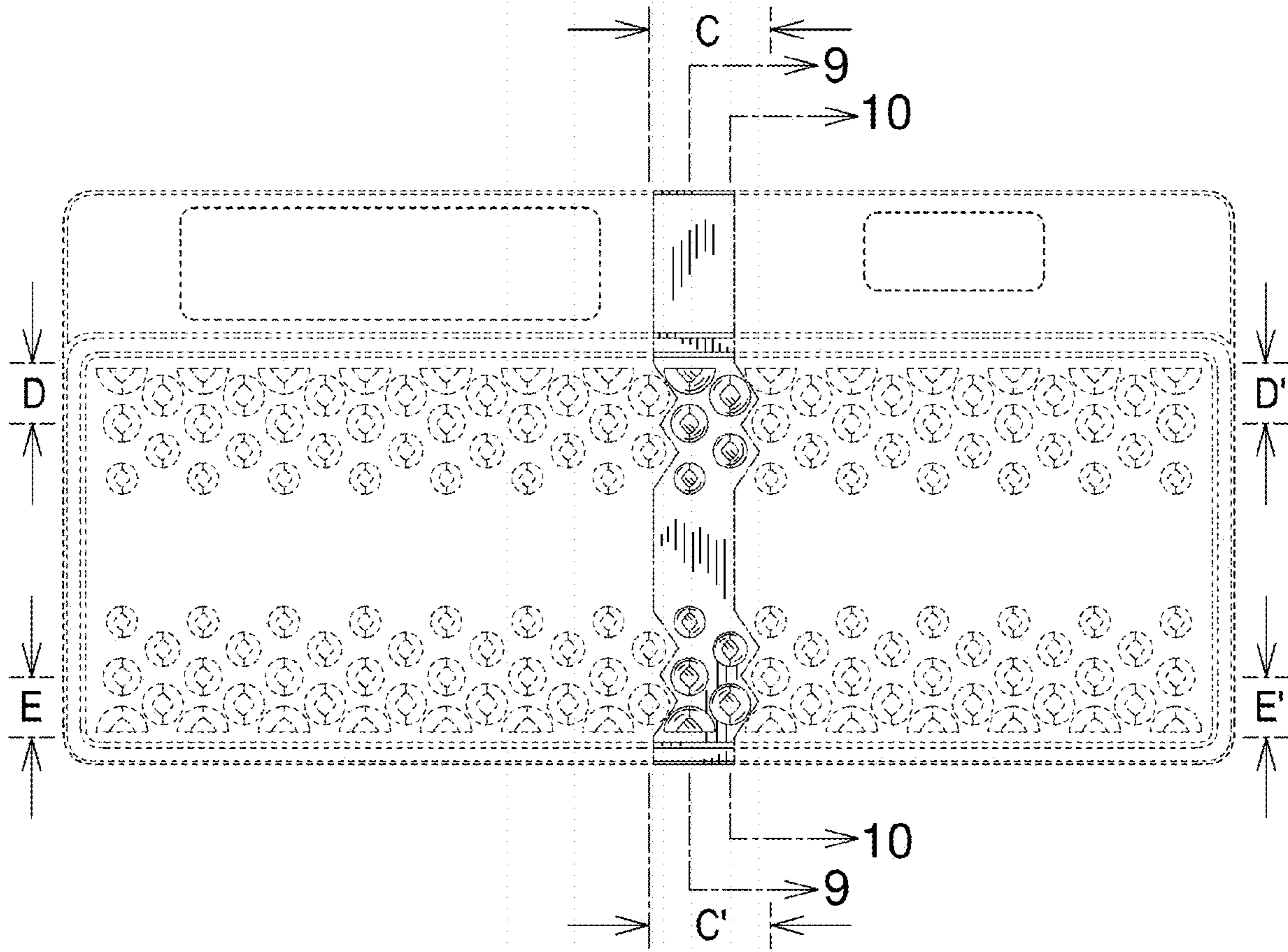


FIG. 2

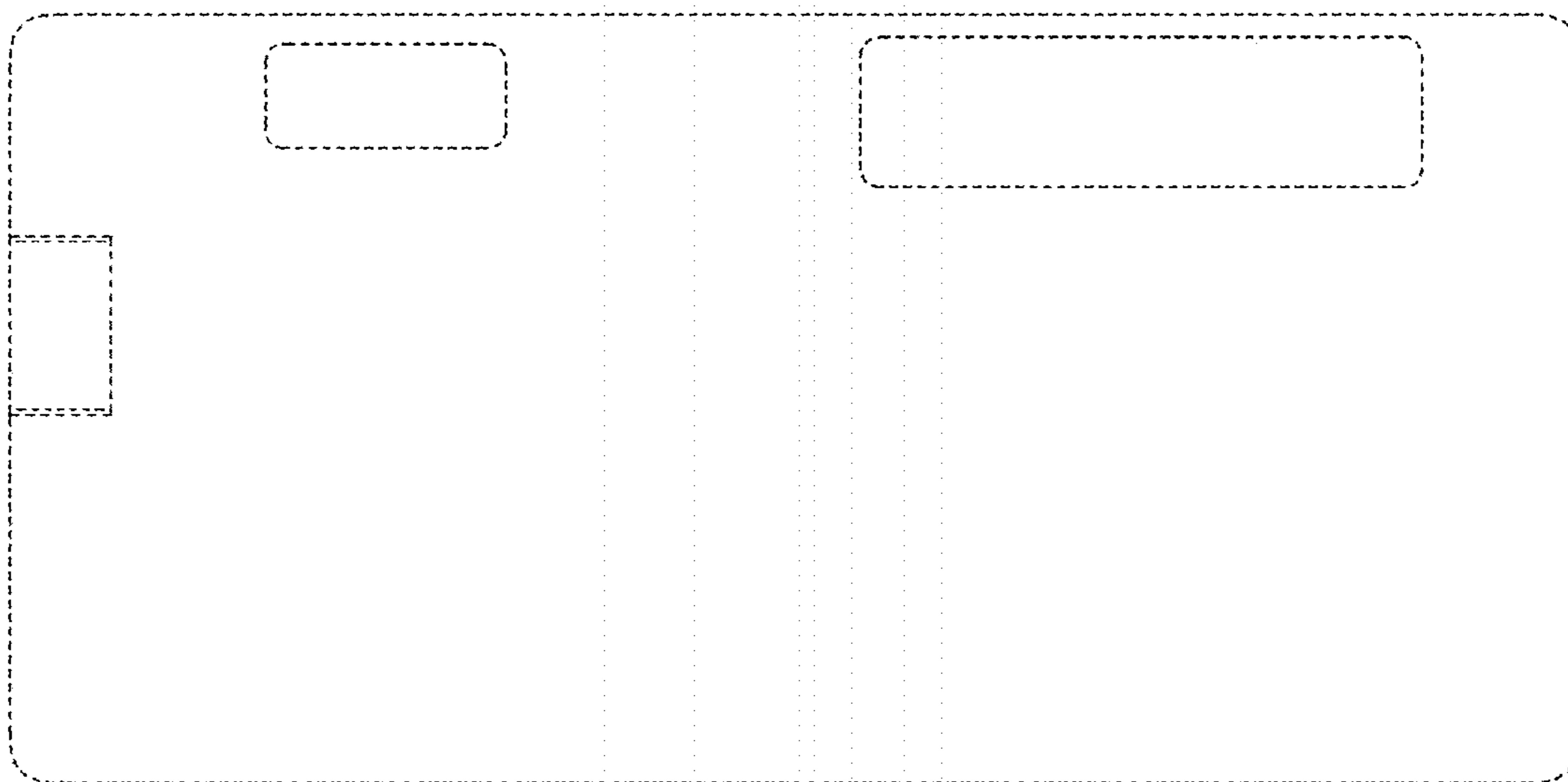


FIG. 3

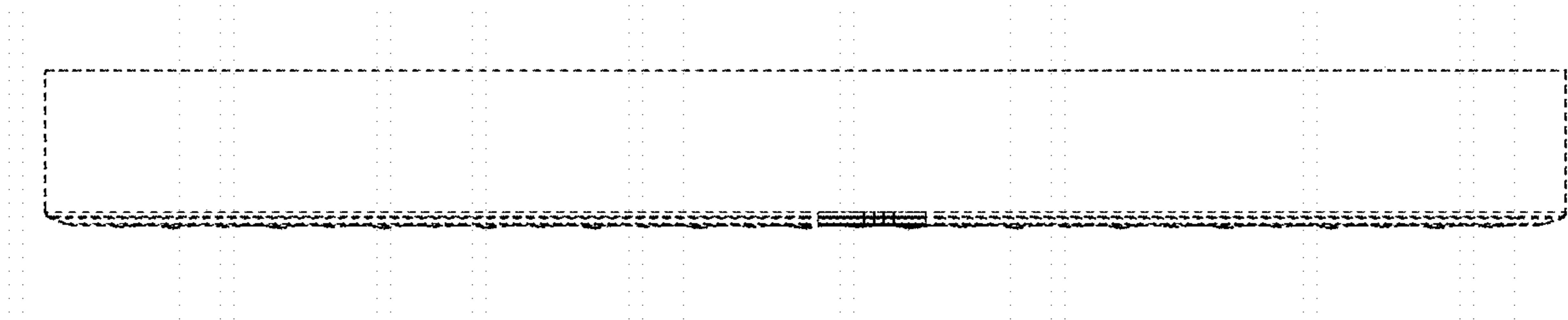


FIG. 4

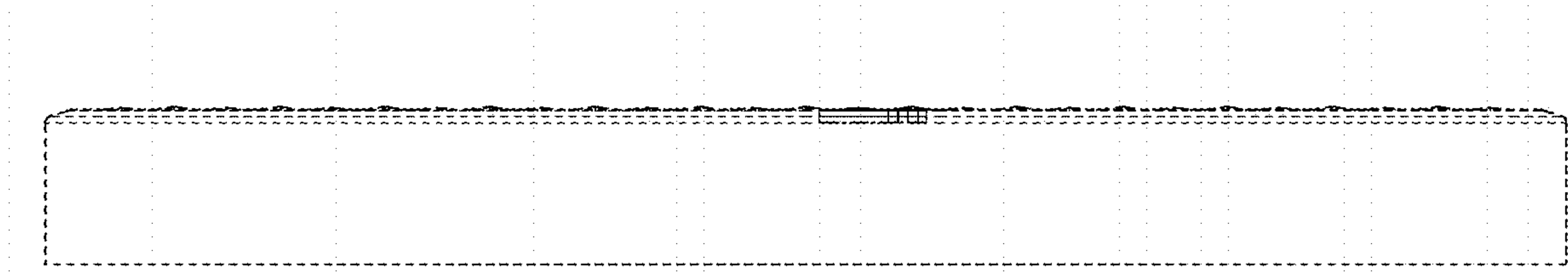


FIG. 5

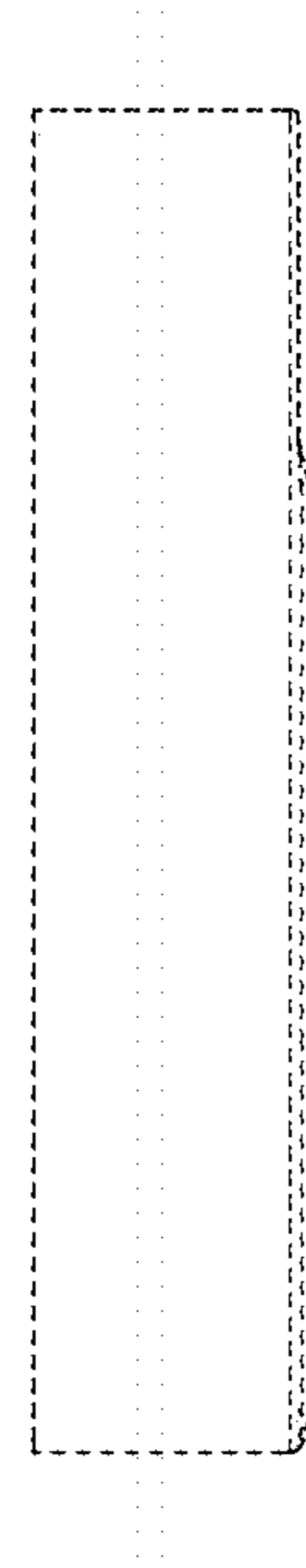


FIG. 6

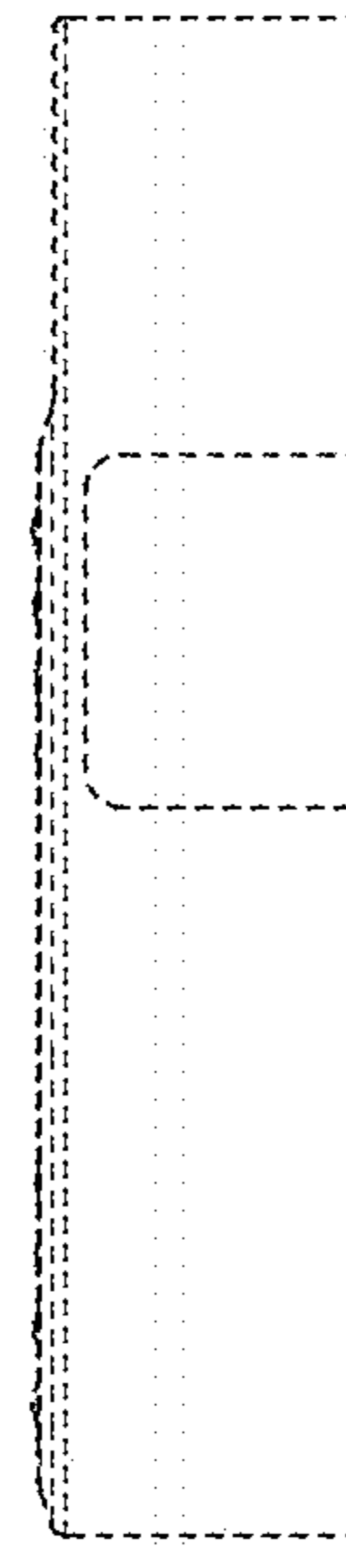


FIG. 7

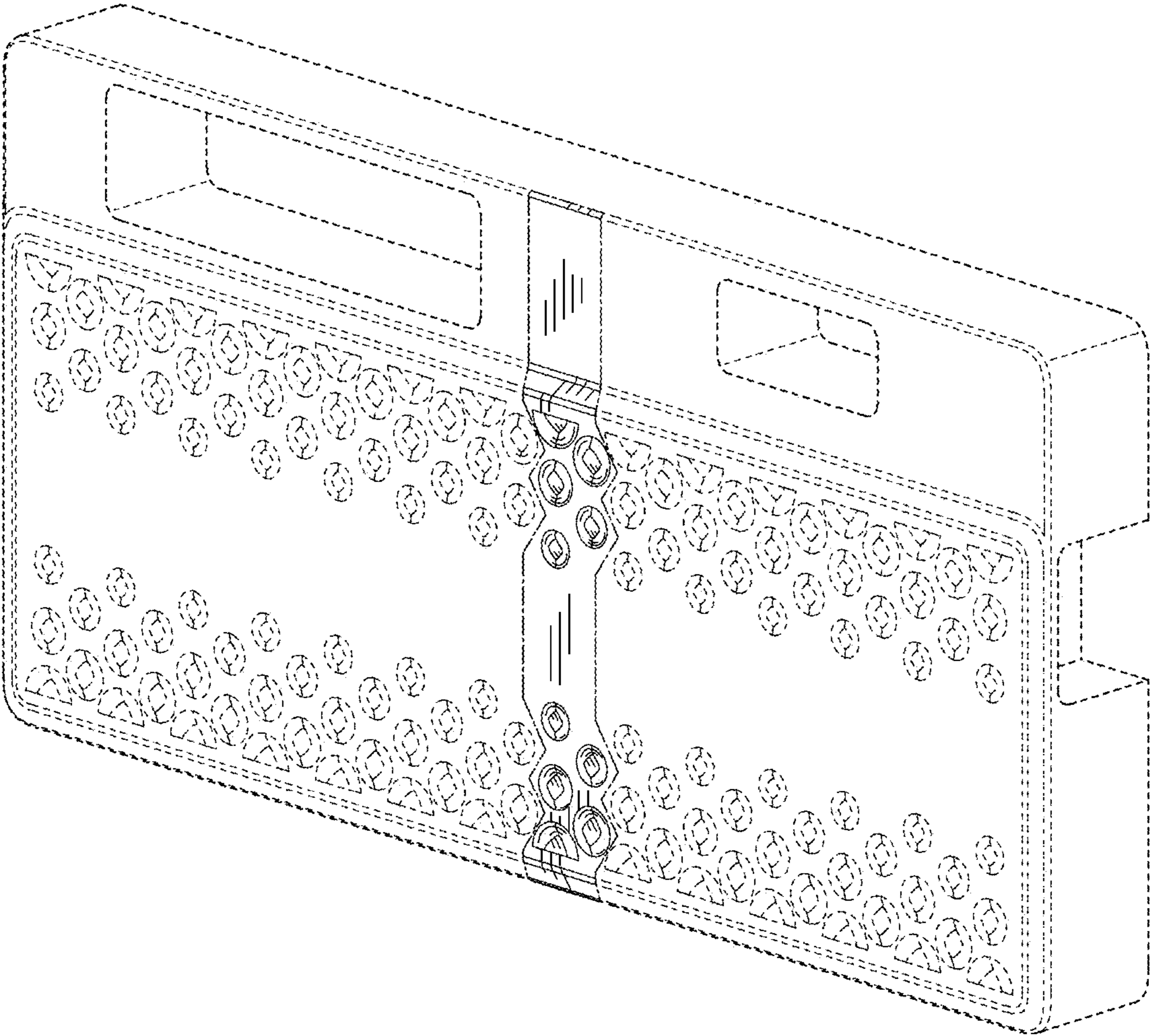


FIG. 8

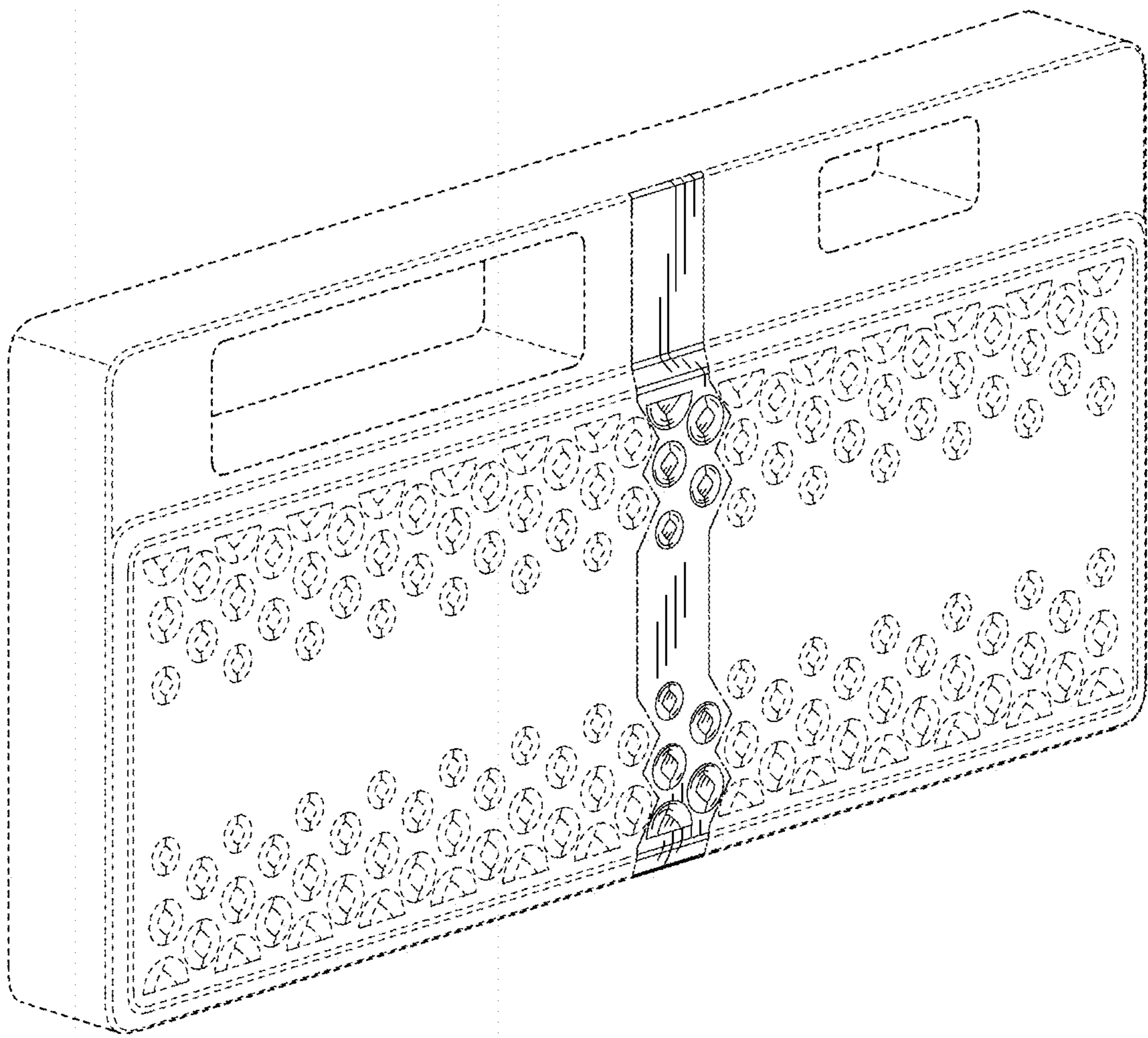


FIG. 9

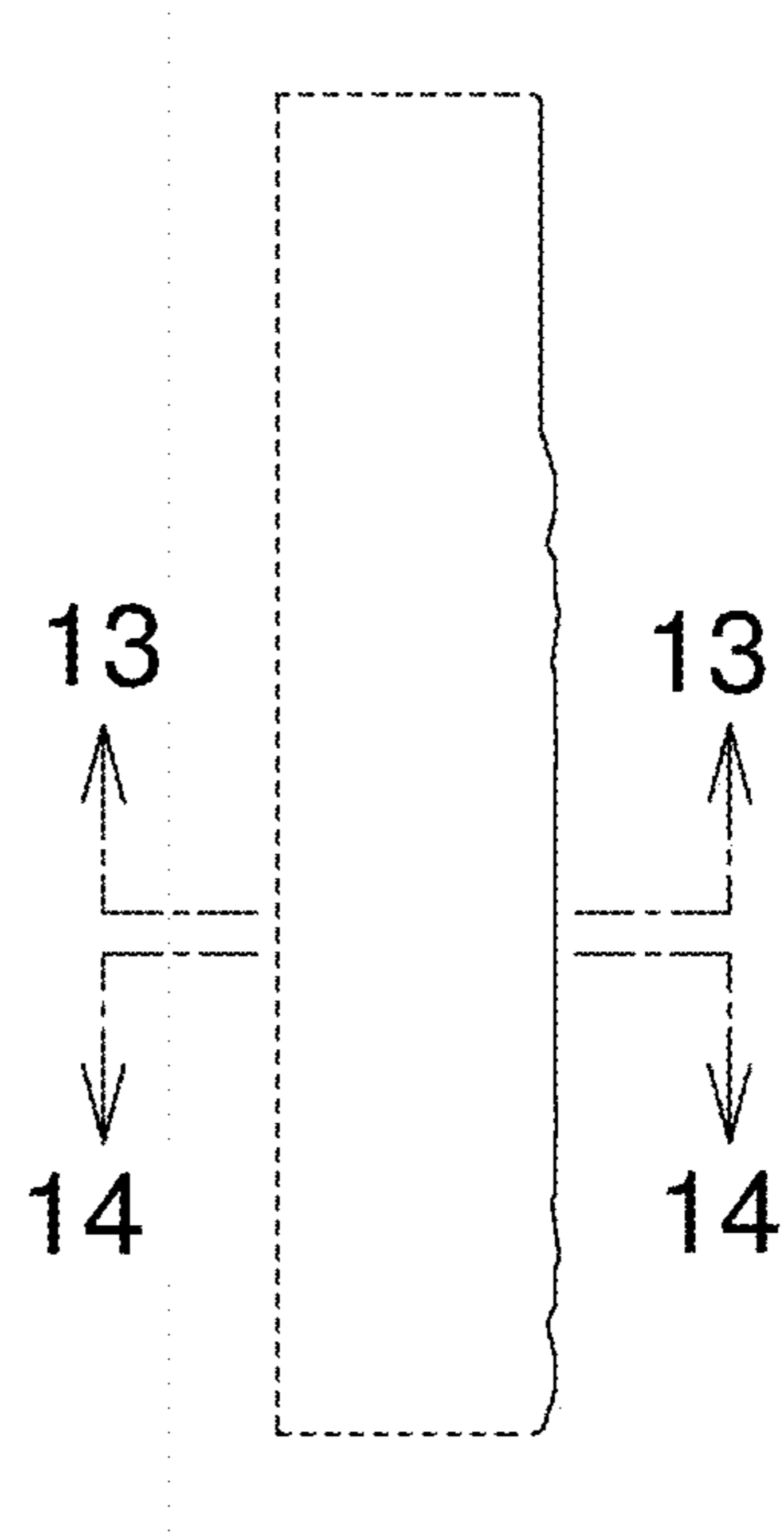


FIG. 10

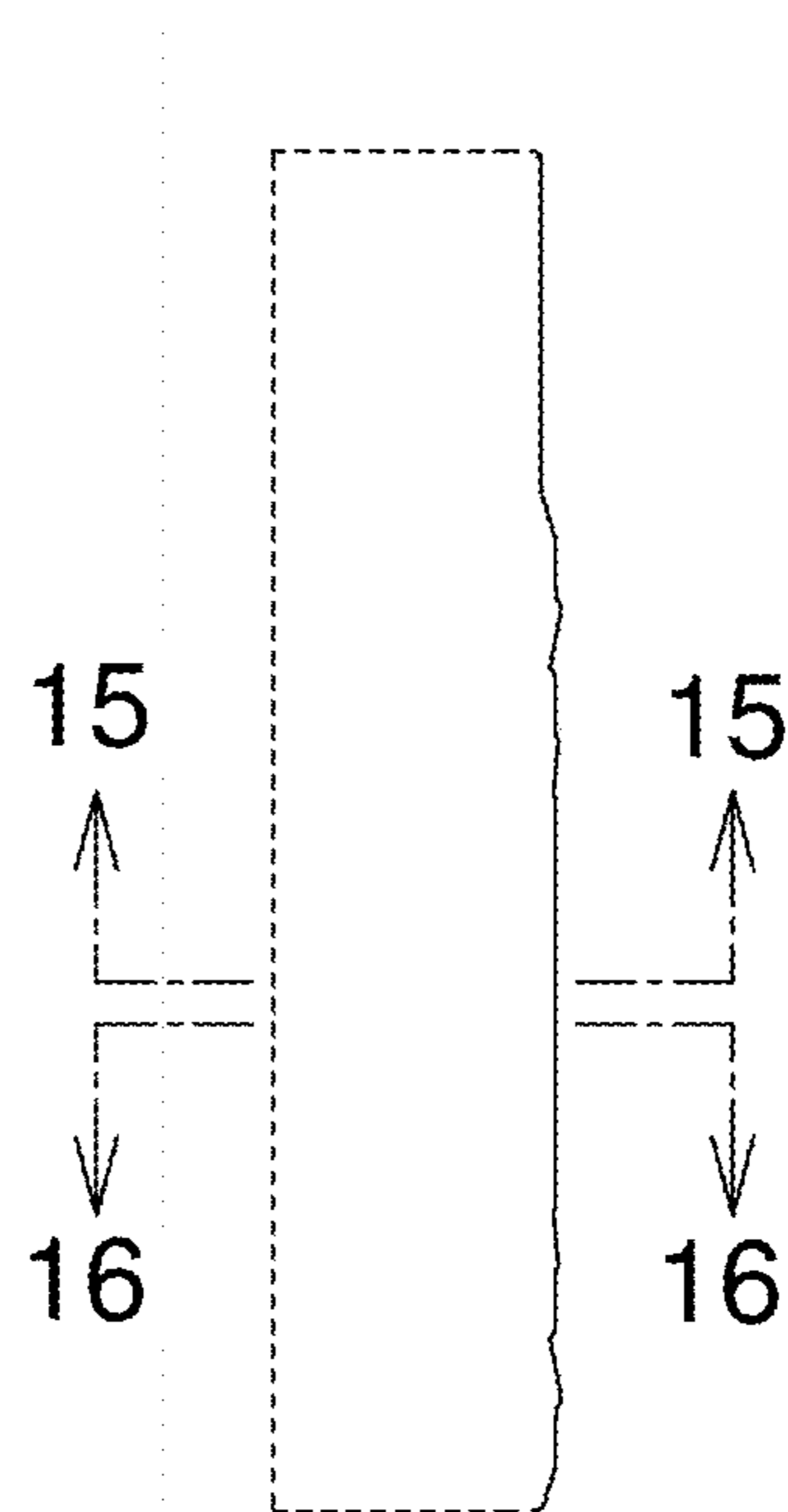


FIG. 11

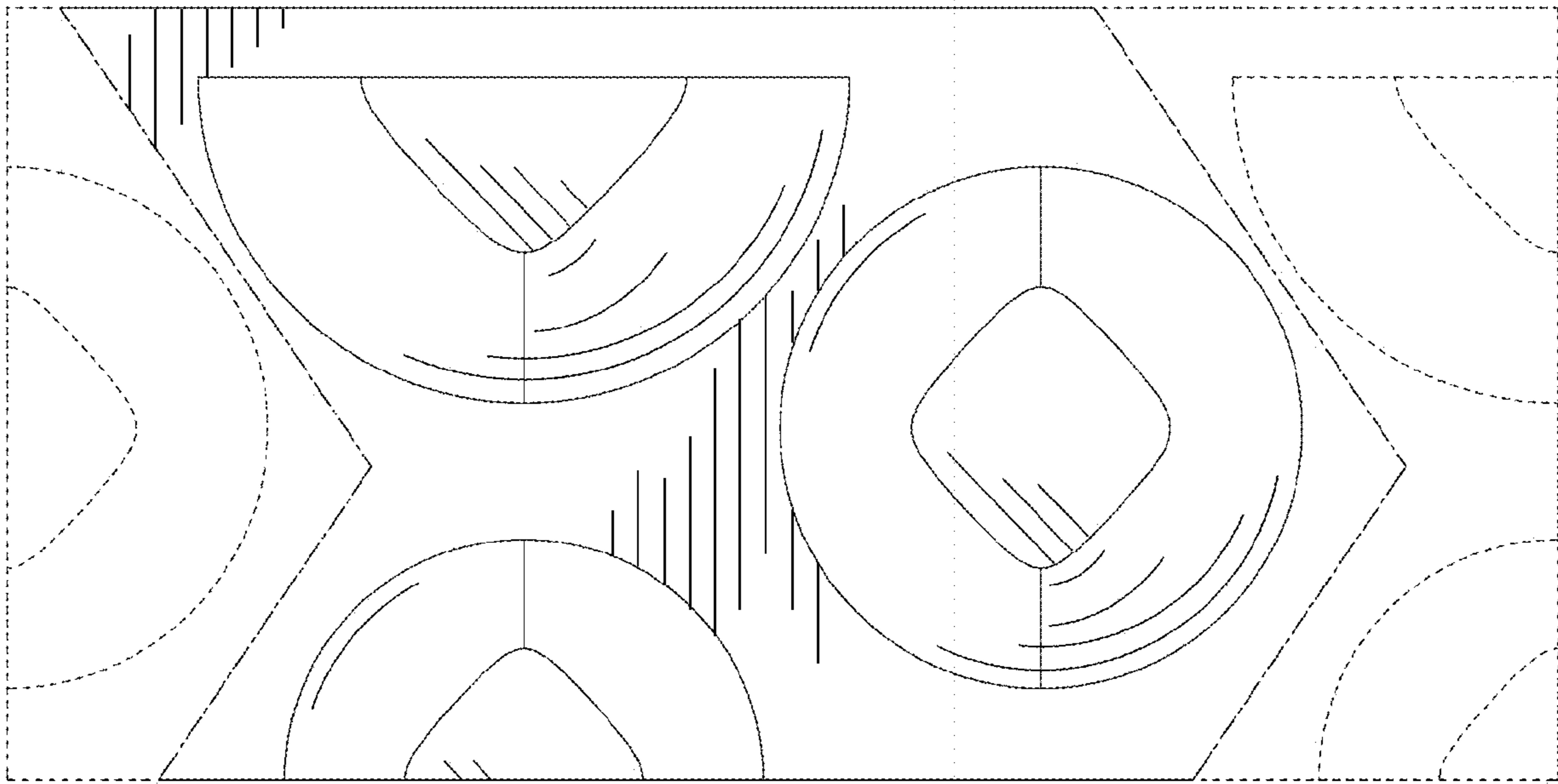


FIG. 12

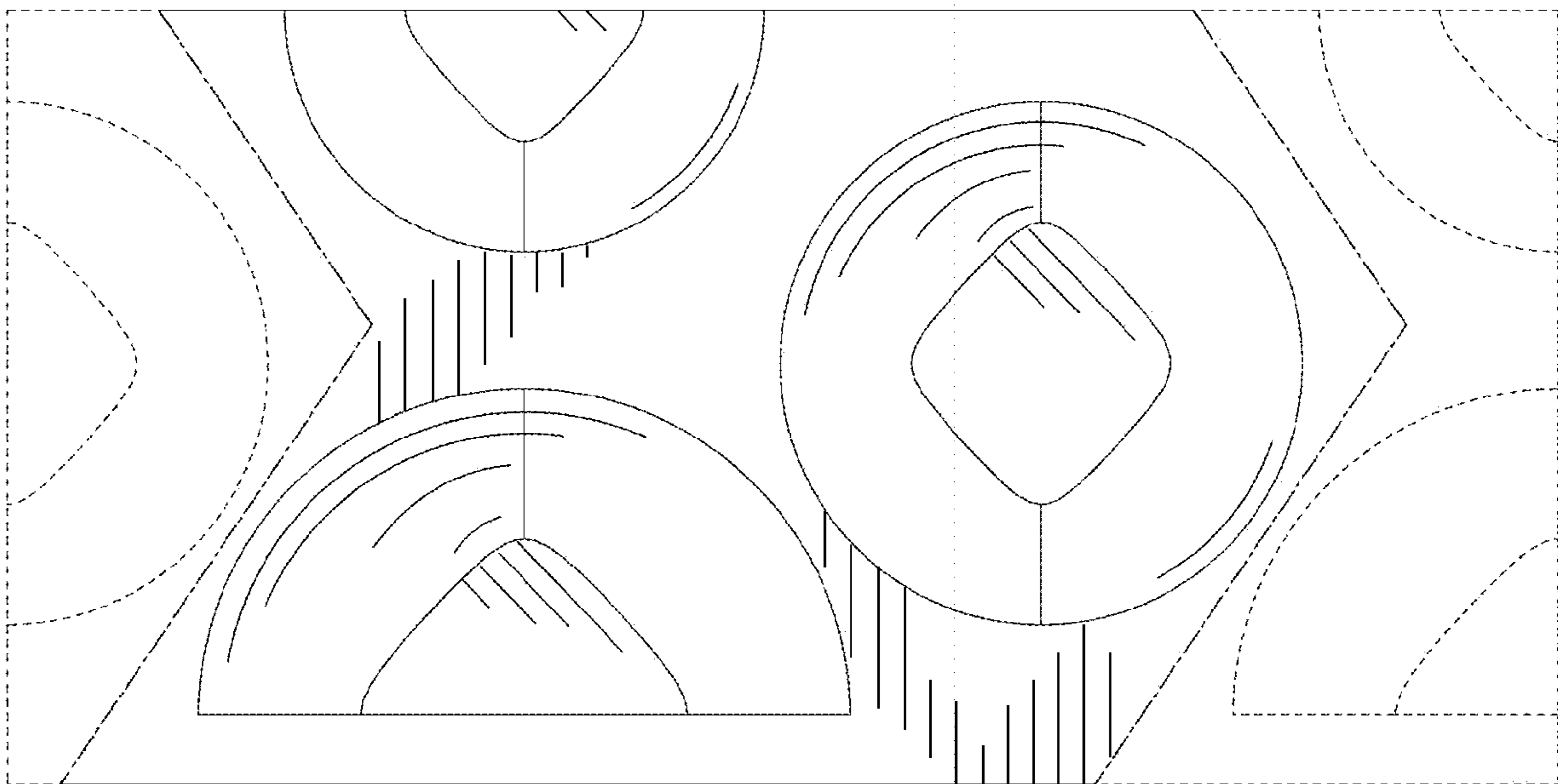


FIG. 13

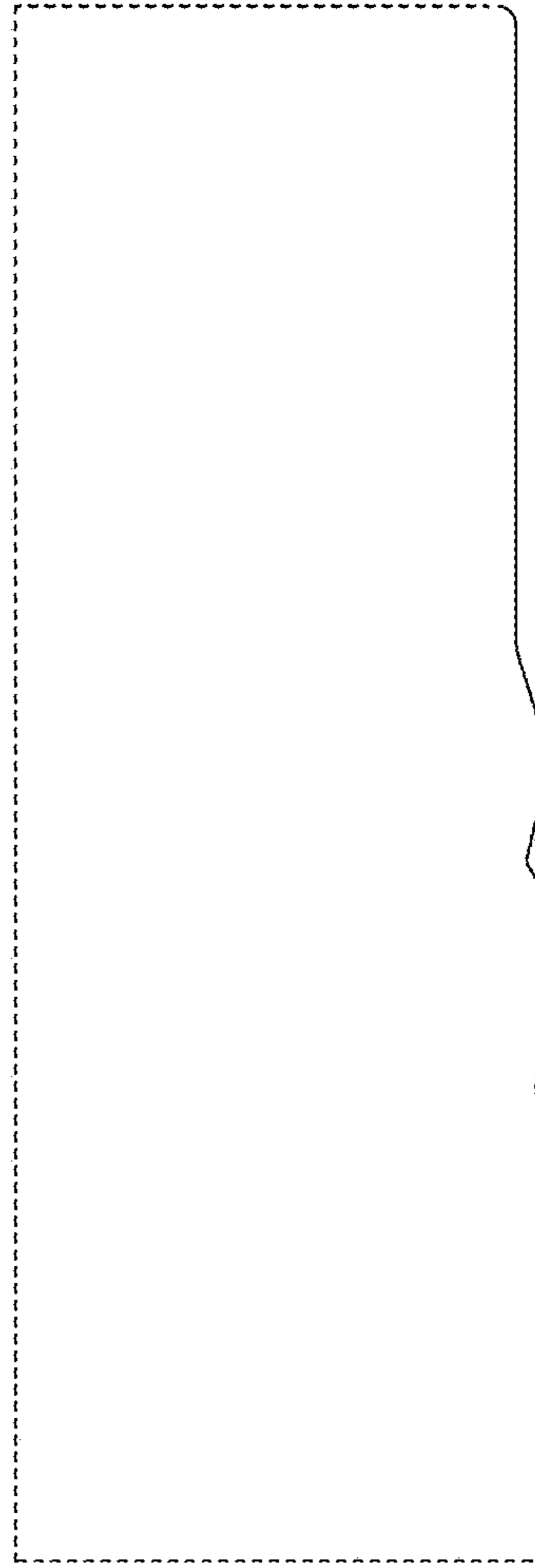


FIG. 14

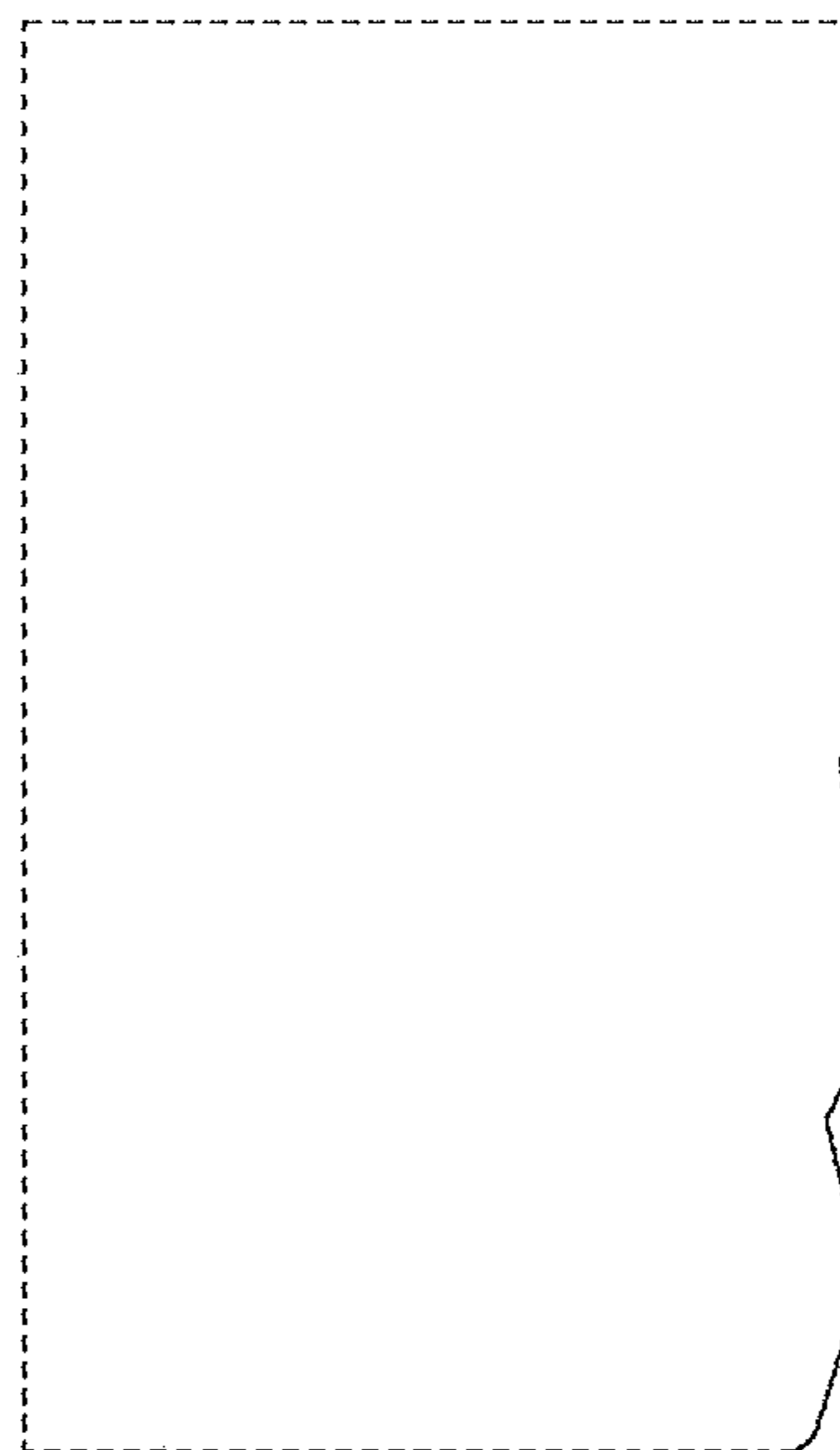


FIG. 15

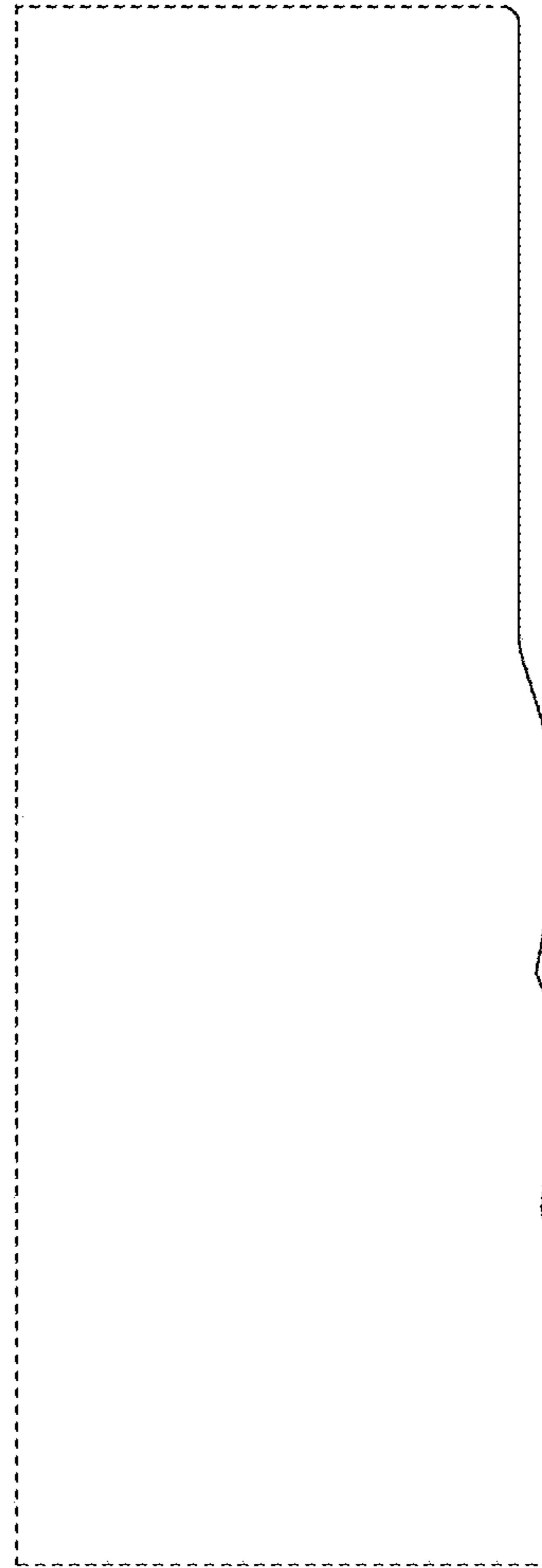


FIG. 16

