



US00D934801S

(12) **United States Design Patent** (10) **Patent No.:** **US D934,801 S**  
**Akana et al.** (45) **Date of Patent:** **\*\* Nov. 2, 2021**

(54) **ADAPTER**

(71) Applicant: **Apple Inc.**, Cupertino, CA (US)

(72) Inventors: **Jody Akana**, San Francisco, CA (US); **Molly Anderson**, San Francisco, CA (US); **Bartley K. Andre**, Palo Alto, CA (US); **Shota Aoyagi**, San Francisco, CA (US); **Anthony Michael Ashcroft**, San Francisco, CA (US); **Marine C. Bataille**, San Francisco, CA (US); **Jeremy Bataillou**, San Francisco, CA (US); **Markus Diebel**, San Francisco, CA (US); **M. Evans Hankey**, San Francisco, CA (US); **Julian Hoenig**, San Francisco, CA (US); **Richard P. Howarth**, San Francisco, CA (US); **Jonathan P. Ive**, San Francisco, CA (US); **Julian Jaede**, San Francisco, CA (US); **Duncan Robert Kerr**, San Francisco, CA (US); **Peter Russell-Clarke**, San Francisco, CA (US); **Benjamin Andrew Shaffer**, San Jose, CA (US); **Mikael Silvanto**, San Francisco, CA (US); **Sung-Ho Tan**, San Francisco, CA (US); **Clement Tissandier**, San Francisco, CA (US); **Eugene Antony Whang**, San Francisco, CA (US); **Rico Zörkendörfer**, San Francisco, CA (US)

(73) Assignee: **Apple Inc.**, Cupertino, CA (US)

(\*\*) Term: **15 Years**

(21) Appl. No.: **29/776,466**

(22) Filed: **Mar. 30, 2021**

**Related U.S. Application Data**

(63) Continuation of application No. 29/709,544, filed on Oct. 15, 2019, now Pat. No. Des. 914,596, which is a (Continued)

(51) **LOC (13) Cl.** ..... **13-02**

(52) **U.S. Cl.**  
USPC ..... **D13/110**

(58) **Field of Classification Search**  
USPC ..... D13/110, 107, 108, 123, 133, 137.1, D13/138.1, 199; D14/240, 251, 253, 432, D14/433, 434

(Continued)

(56) **References Cited**

**U.S. PATENT DOCUMENTS**

D375,080 S 10/1996 Sandor et al.  
D398,581 S \* 9/1998 Chang ..... D13/138.1  
(Continued)

**FOREIGN PATENT DOCUMENTS**

CN 304088328 3/2017  
CN 304257288 8/2017

*Primary Examiner* — Derrick E Holland

(74) *Attorney, Agent, or Firm* — Sterne, Kessler, Goldstein & Fox P.L.L.C.

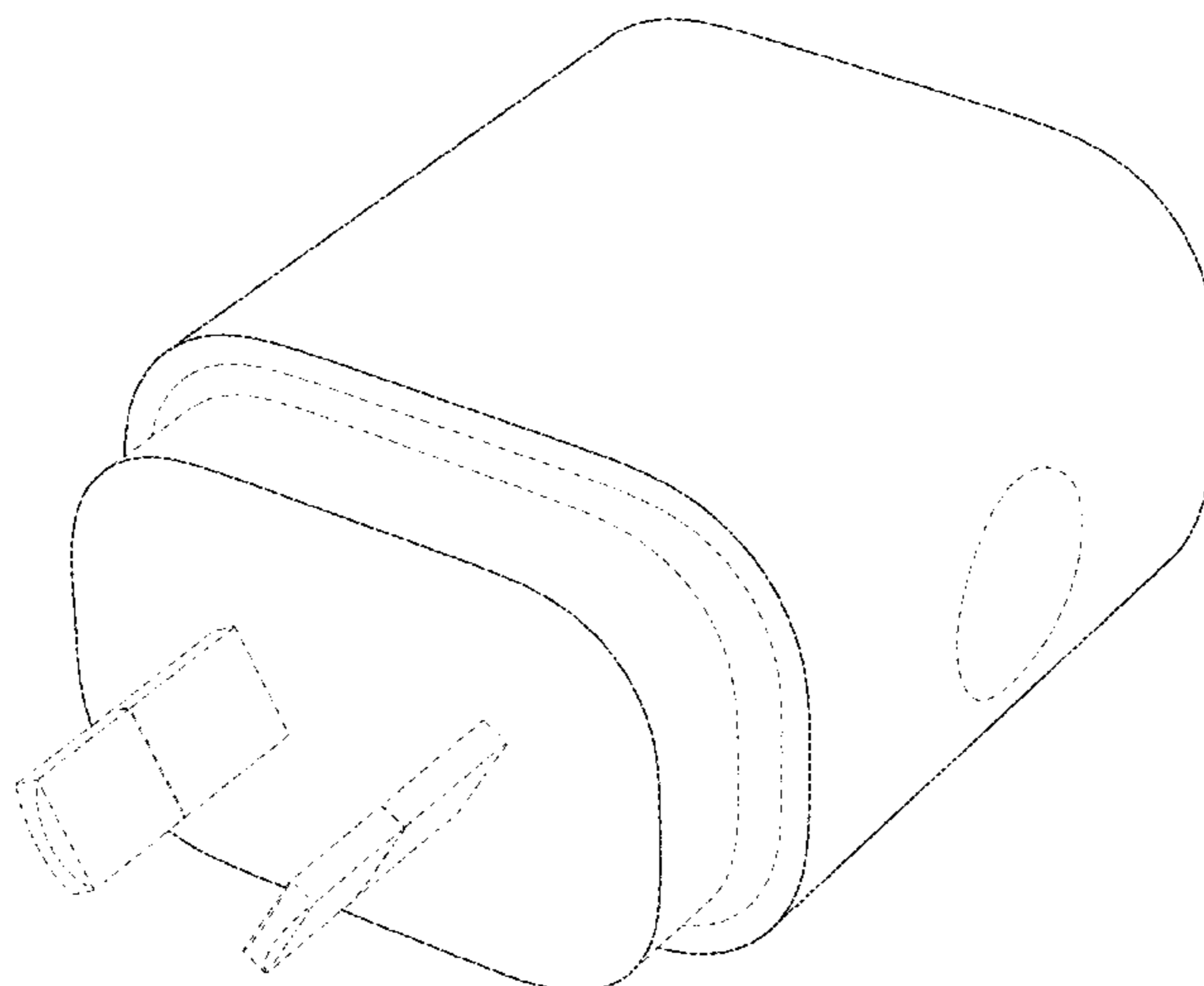
(57) **CLAIM**

The ornamental design for an adapter, as shown and described.

**DESCRIPTION**

FIG. 1 is a top front perspective view of an adapter showing the claimed design;  
FIG. 2 is a top rear perspective view thereof;  
FIG. 3 is a front view thereof;  
FIG. 4 is a rear view thereof;  
FIG. 5 is a left side view thereof;  
FIG. 6 is a right side view thereof;  
FIG. 7 is a top view thereof; and,  
FIG. 8 is a bottom view thereof.  
The broken lines in the figures show portions of the adapter that form no part of the claimed design.

**1 Claim, 6 Drawing Sheets**



**Related U.S. Application Data**

continuation of application No. 29/650,588, filed on Jun. 7, 2018, now Pat. No. Des. 867,286.

- (58) **Field of Classification Search**  
 CPC . H02J 7/02; H02J 7/022; H02J 7/0042; H01R 25/00; H01R 25/003; H01R 13/44; H01R 27/00; H01R 31/065; Y02E 60/12  
 See application file for complete search history.

**References Cited**

U.S. PATENT DOCUMENTS

D481,674 S \* 11/2003 Sade ..... D13/108  
 D544,833 S \* 6/2007 Sade ..... D13/108  
 D583,316 S 12/2008 Säde et al.  
 D583,318 S \* 12/2008 Kagami ..... D13/108  
 D587,192 S 2/2009 McGinley et al.  
 D595,224 S \* 6/2009 Seil ..... D13/108  
 D601,501 S 10/2009 Kaibara et al.  
 D611,409 S 3/2010 Green et al.  
 D611,415 S 3/2010 Andre et al.  
 D614,129 S 4/2010 Nylen  
 D614,130 S 4/2010 Nylen  
 D621,348 S 8/2010 Nylen  
 D621,349 S 8/2010 Nylen  
 D623,136 S 9/2010 Andre et al.  
 D627,728 S 11/2010 Smith et al.  
 D627,729 S 11/2010 Smith et al.  
 D634,058 S 3/2011 Peifer  
 D638,357 S 5/2011 Sasada et al.  
 D642,524 S 8/2011 Fitch et al.  
 8,057,265 B2 11/2011 Youssefi-Shams et al.  
 D653,208 S 1/2012 Au  
 D653,614 S 2/2012 Au  
 D653,615 S 2/2012 Au  
 D654,020 S 2/2012 Au  
 D655,243 S 3/2012 Au  
 D663,267 S 7/2012 Kim et al.  
 D663,687 S 7/2012 Liu  
 D680,492 S 4/2013 Smith et al.

8,410,752 B2 4/2013 Sulem et al.  
 D683,314 S 5/2013 Andre et al.  
 D693,764 S 11/2013 Hok Man  
 D704,630 S 5/2014 Liu  
 D705,725 S 5/2014 Ryu et al.  
 D711,823 S 8/2014 Akana et al.  
 D730,823 S 6/2015 Leung  
 D734,259 S 7/2015 Cephress et al.  
 D734,260 S 7/2015 Cephress et al.  
 D740,751 S 10/2015 Akana et al.  
 D742,309 S 11/2015 Sumida  
 9,236,699 B2 1/2016 Lai  
 9,343,850 B2 5/2016 Colahan et al.  
 D763,190 S 8/2016 Akana et al.  
 D778,835 S 2/2017 Akana et al.  
 D790,465 S 6/2017 Zhao  
 D791,076 S 7/2017 Kim et al.  
 D798,233 S 9/2017 Huang et al.  
 D798,806 S 10/2017 Soriano  
 D799,422 S 10/2017 Chen  
 D804,412 S 12/2017 Huang et al.  
 D808,903 S 1/2018 Koenig  
 D808,904 S 1/2018 Koenig  
 D820,206 S 6/2018 Cai  
 D821,972 S 7/2018 Wei  
 D826,853 S 8/2018 Nauroy  
 D834,516 S 11/2018 Jin  
 D839,823 S 2/2019 Lemelson et al.  
 D841,582 S 2/2019 Tian  
 D842,803 S 3/2019 Nishizawa  
 D845,898 S 4/2019 Laffon de Mazieres et al.  
 D867,285 S 11/2019 Akana et al.  
 D867,286 S 11/2019 Akana et al.  
 D867,287 S 11/2019 Akana et al.  
 D867,989 S 11/2019 Akana et al.  
 D874,400 S 2/2020 Akana et al.  
 D914,596 S 3/2021 Akana et al.  
 2002/0090848 A1 7/2002 Yu  
 2007/0293079 A1\* 12/2007 Chao ..... H01R 13/6275  
 439/352  
 2009/0289596 A1 11/2009 McGinley et al.  
 2010/0117597 A1 5/2010 Wang

\* cited by examiner

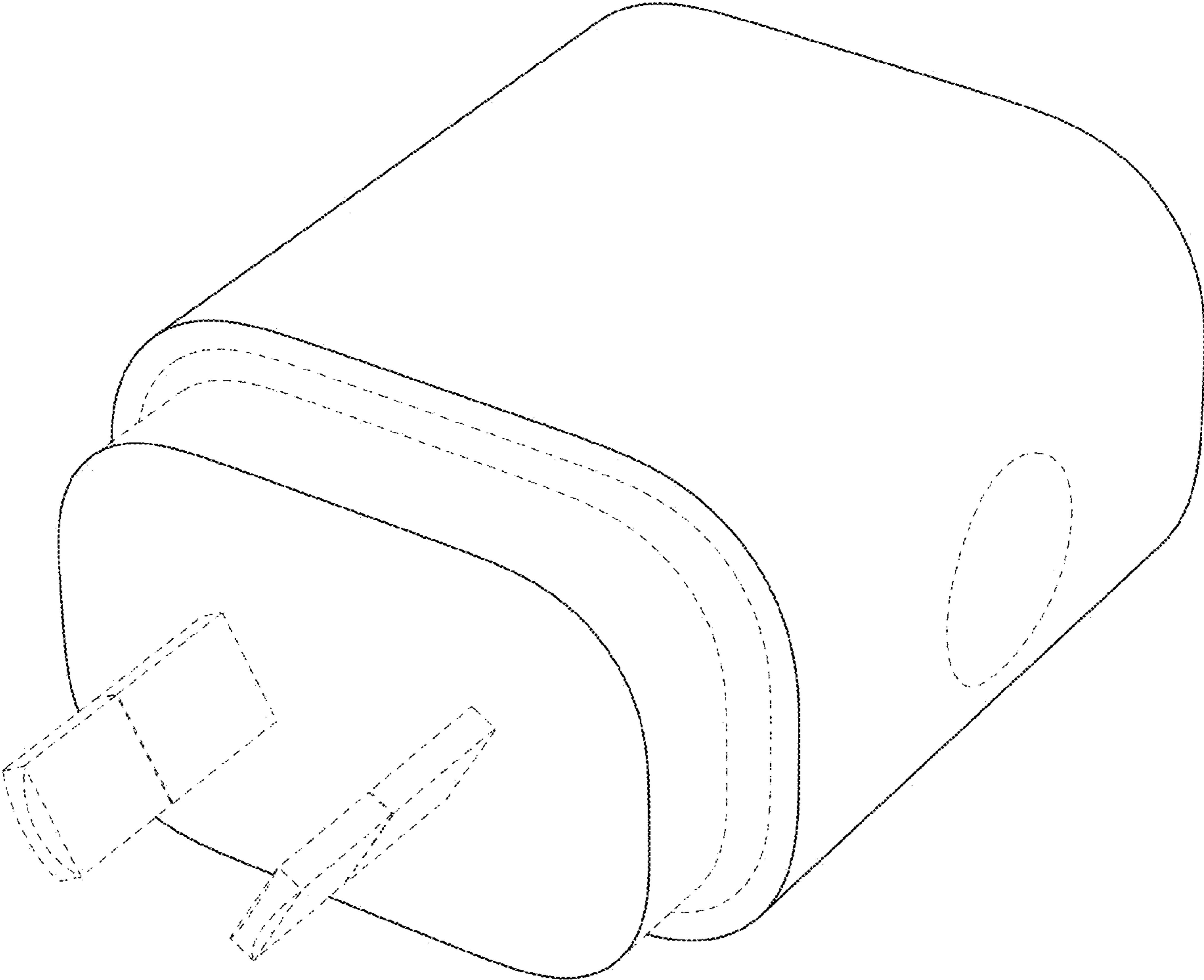


FIG. 1

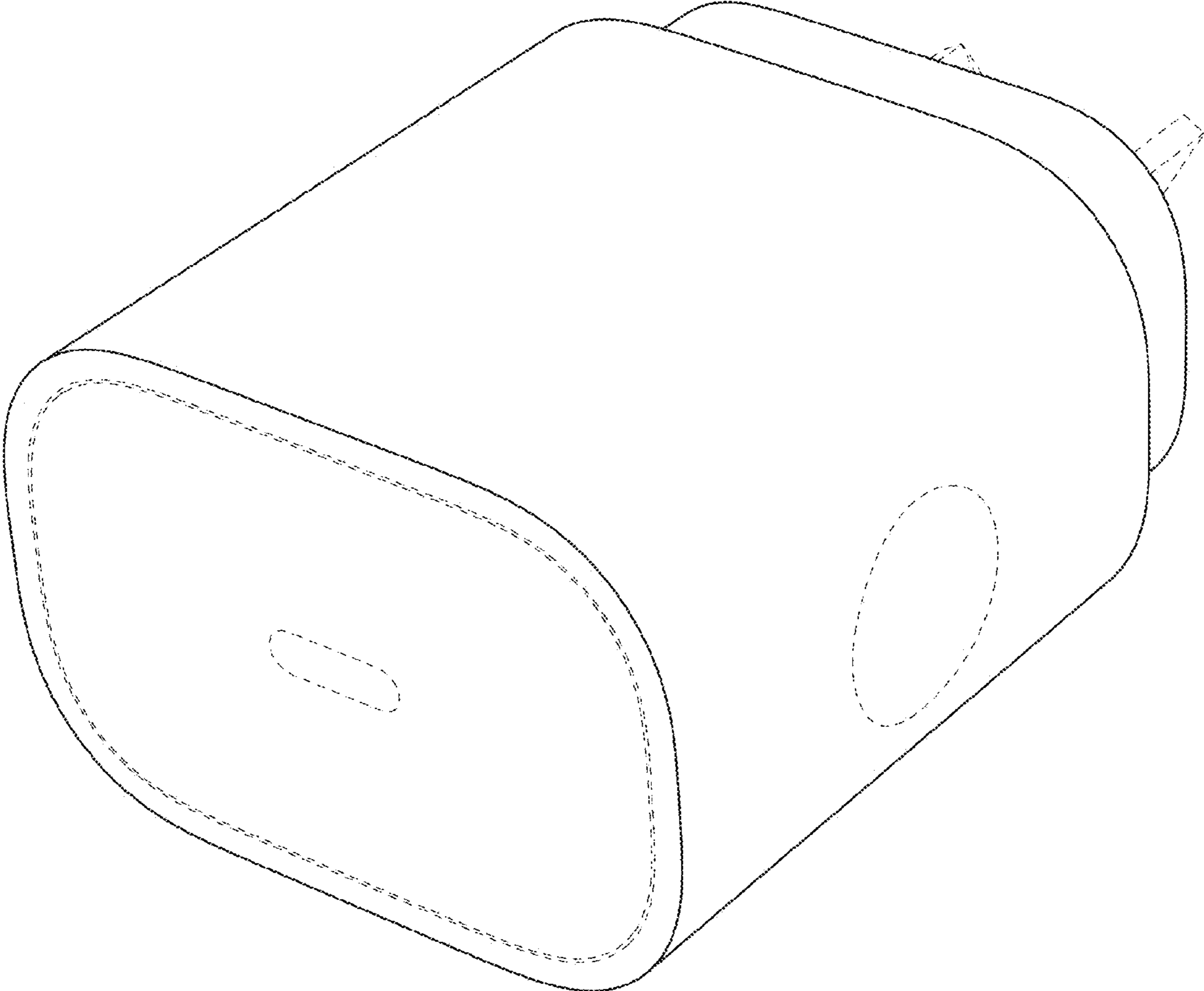


FIG. 2

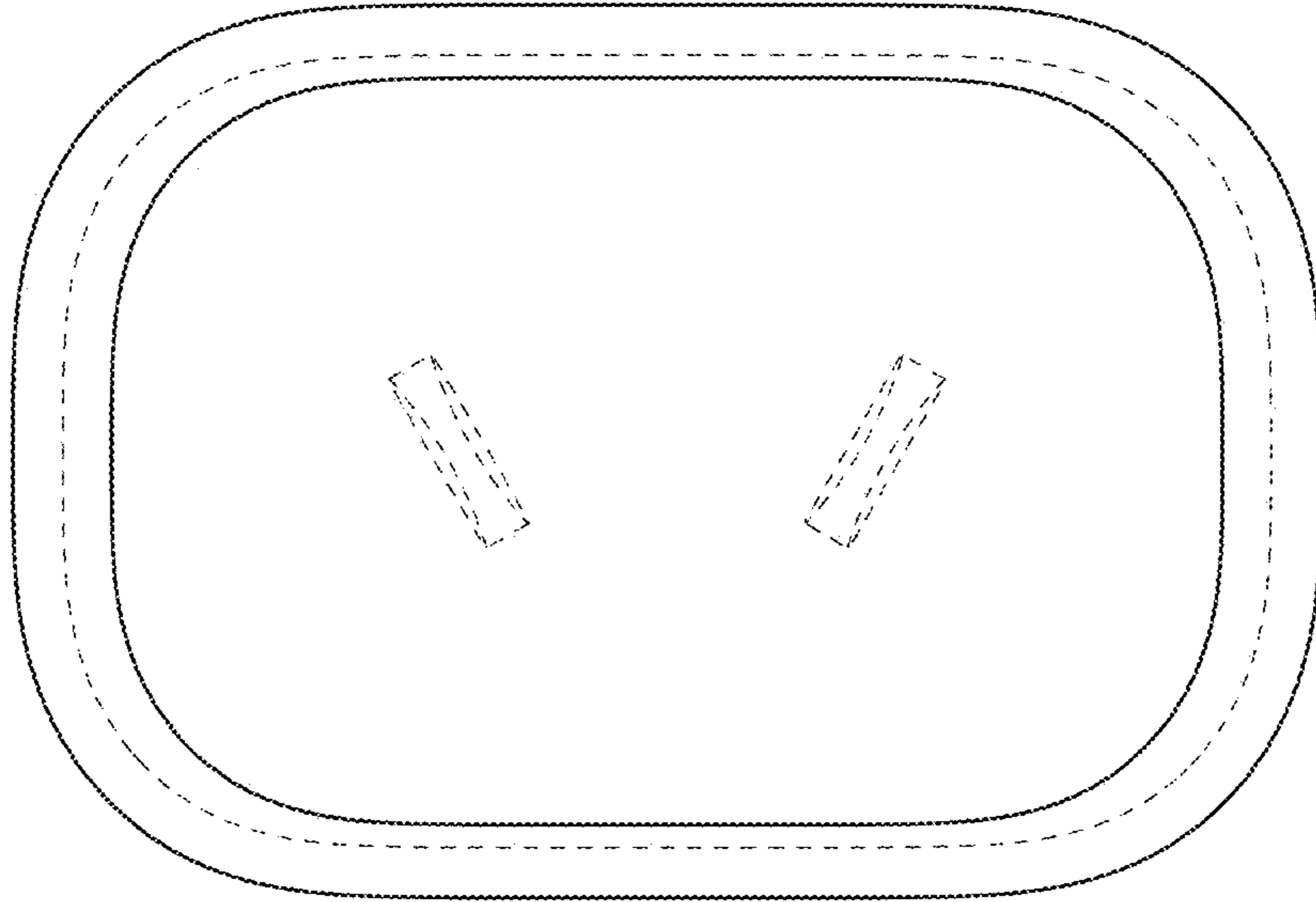


FIG. 3

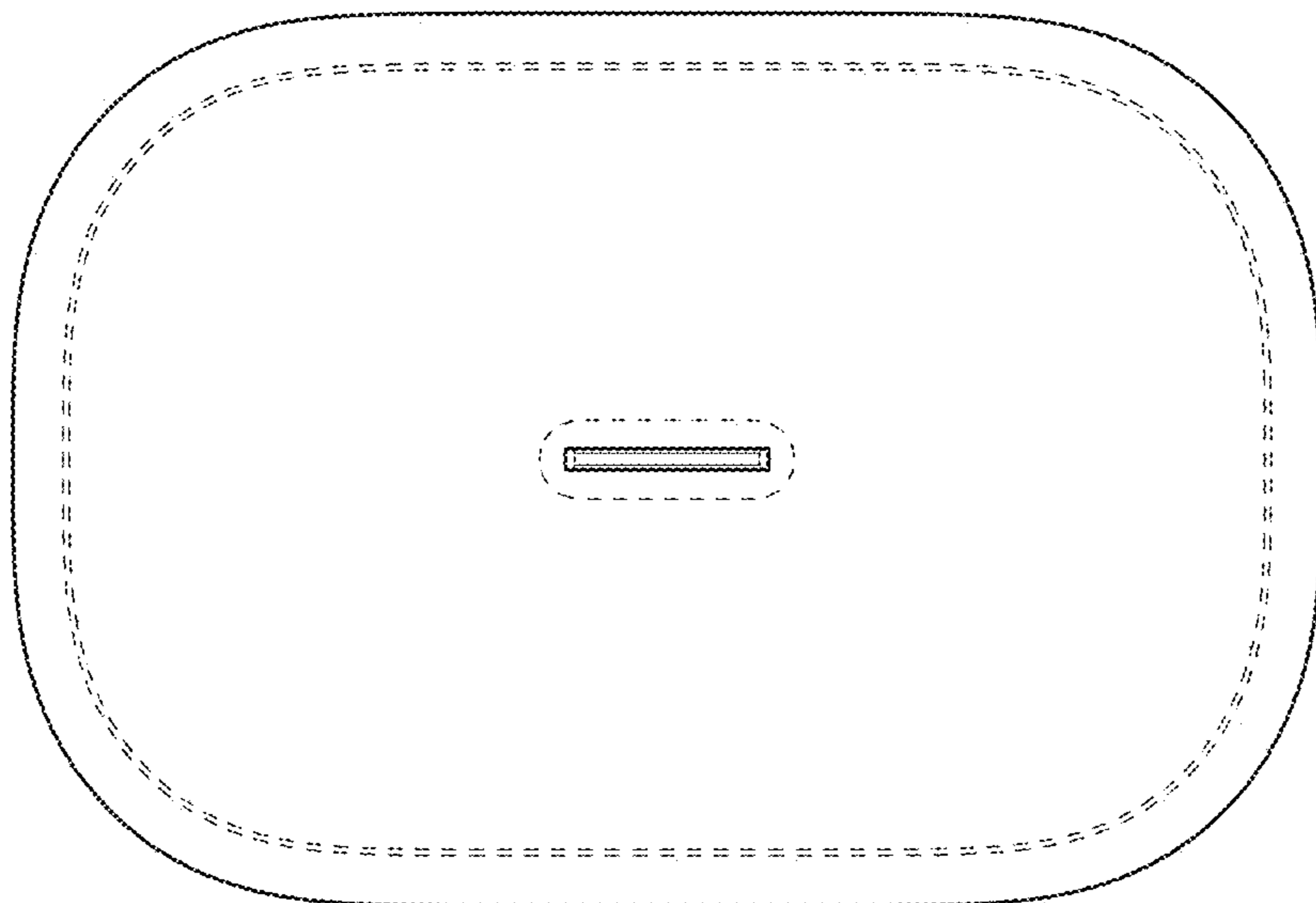


FIG. 4

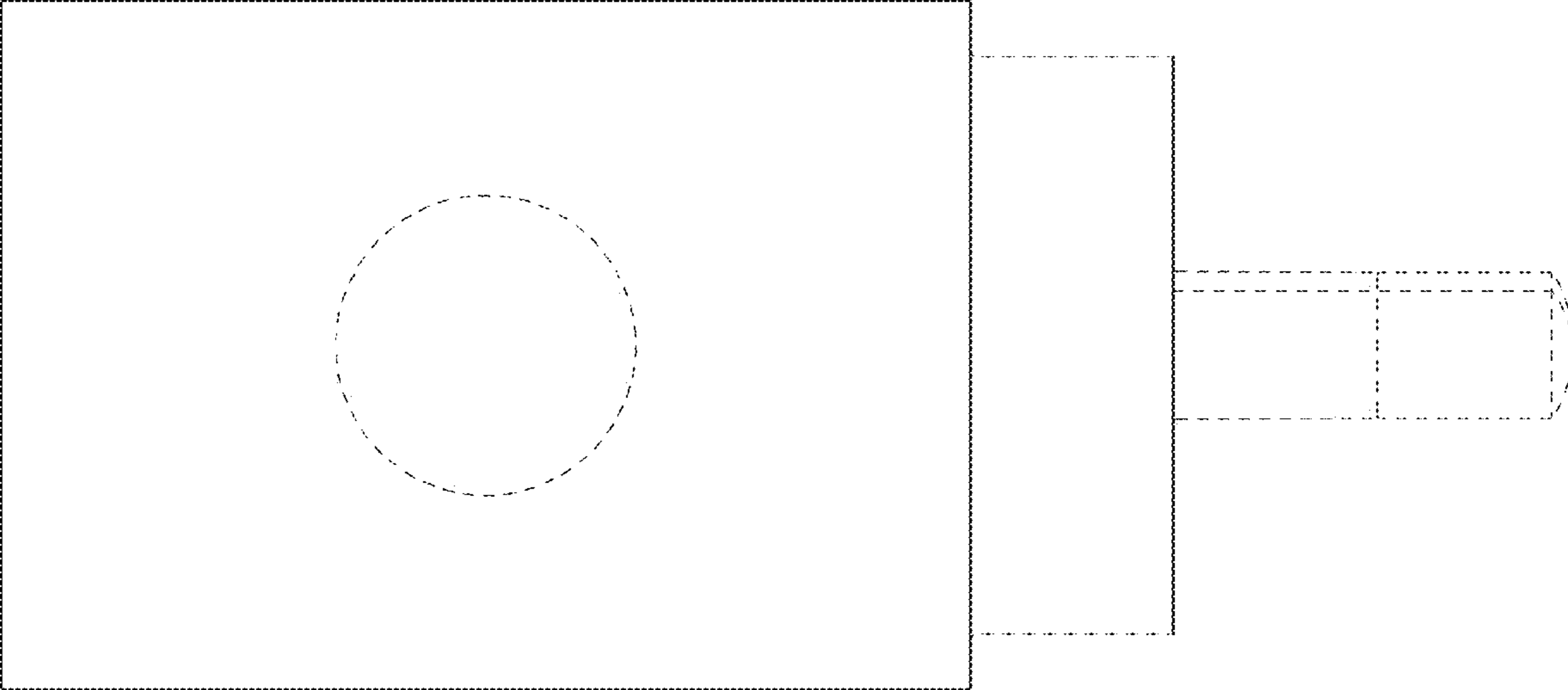


FIG. 5

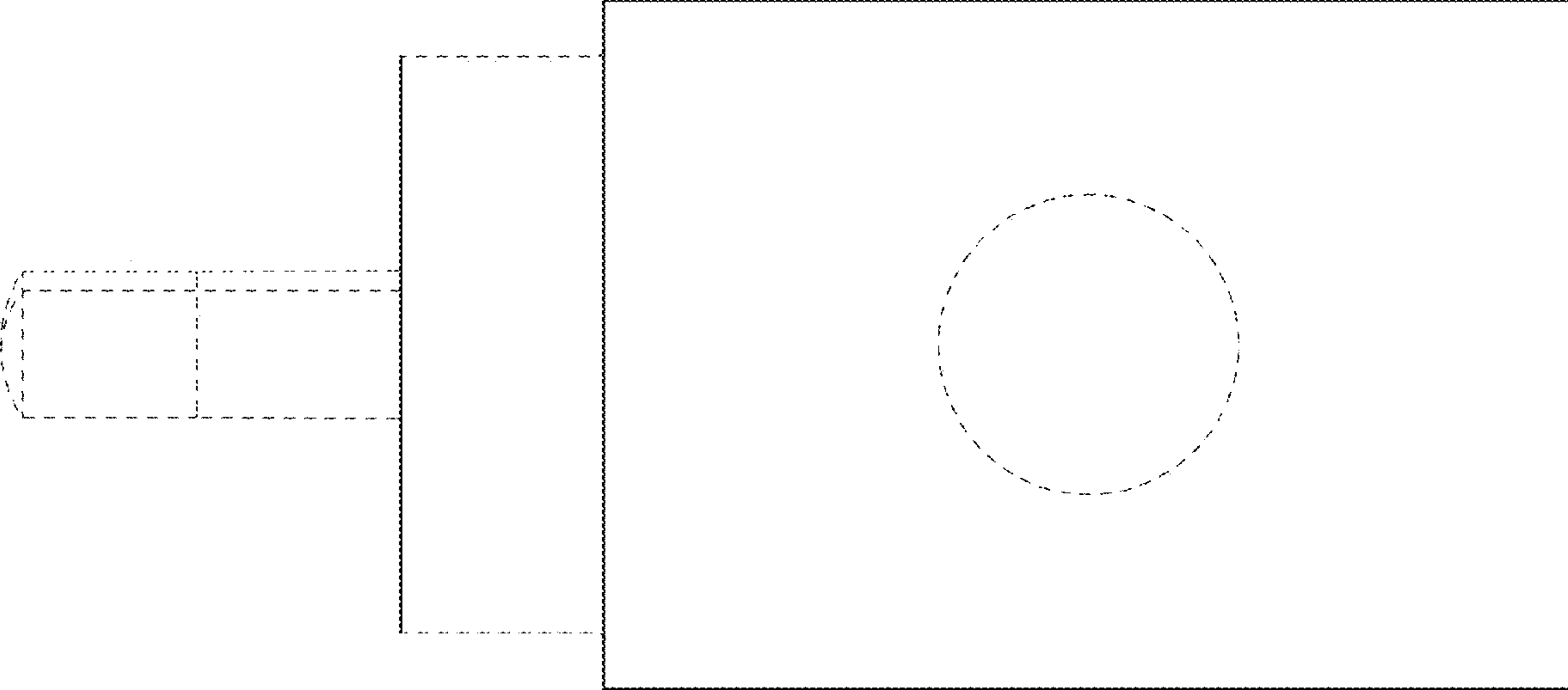


FIG. 6

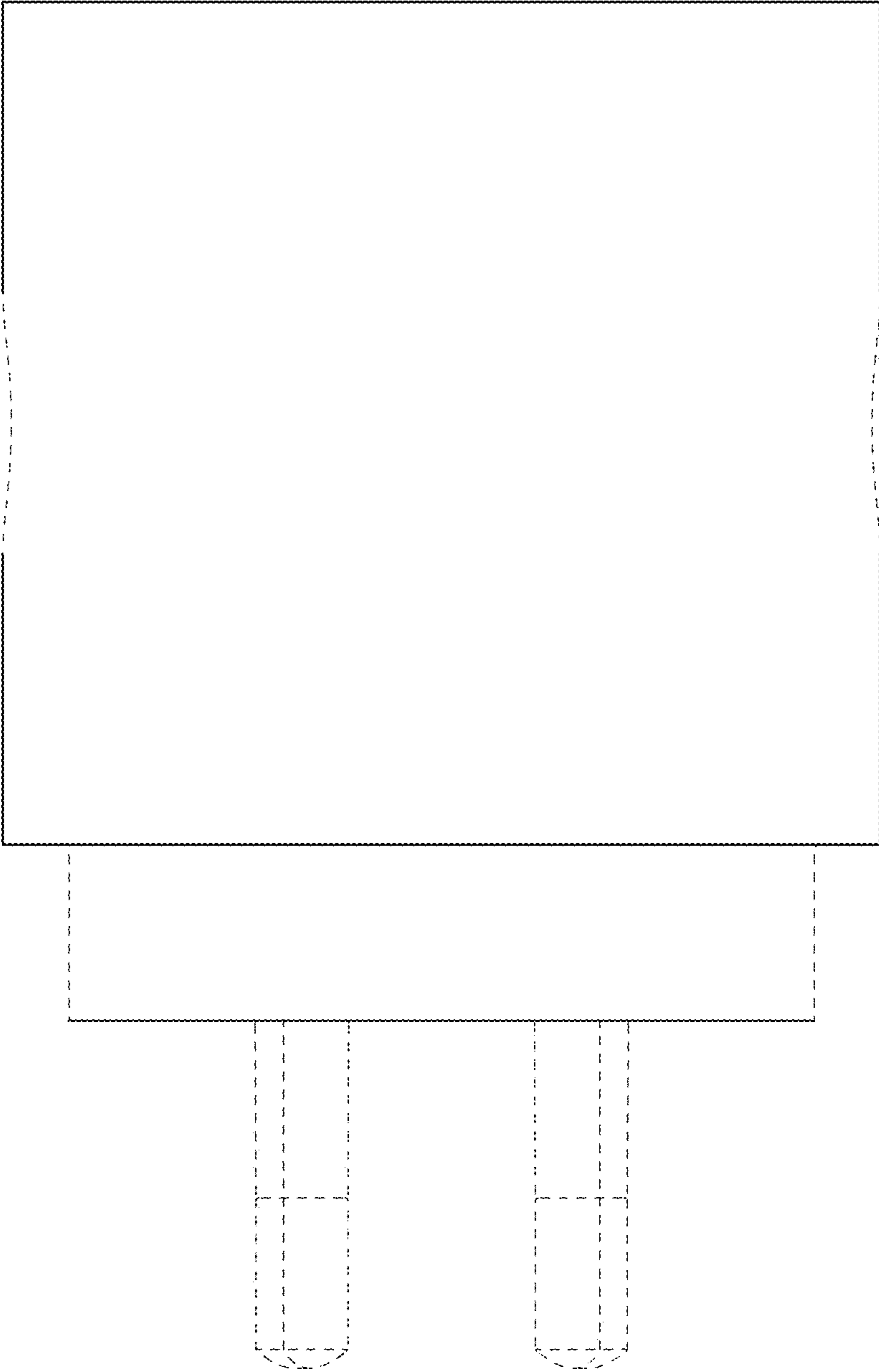
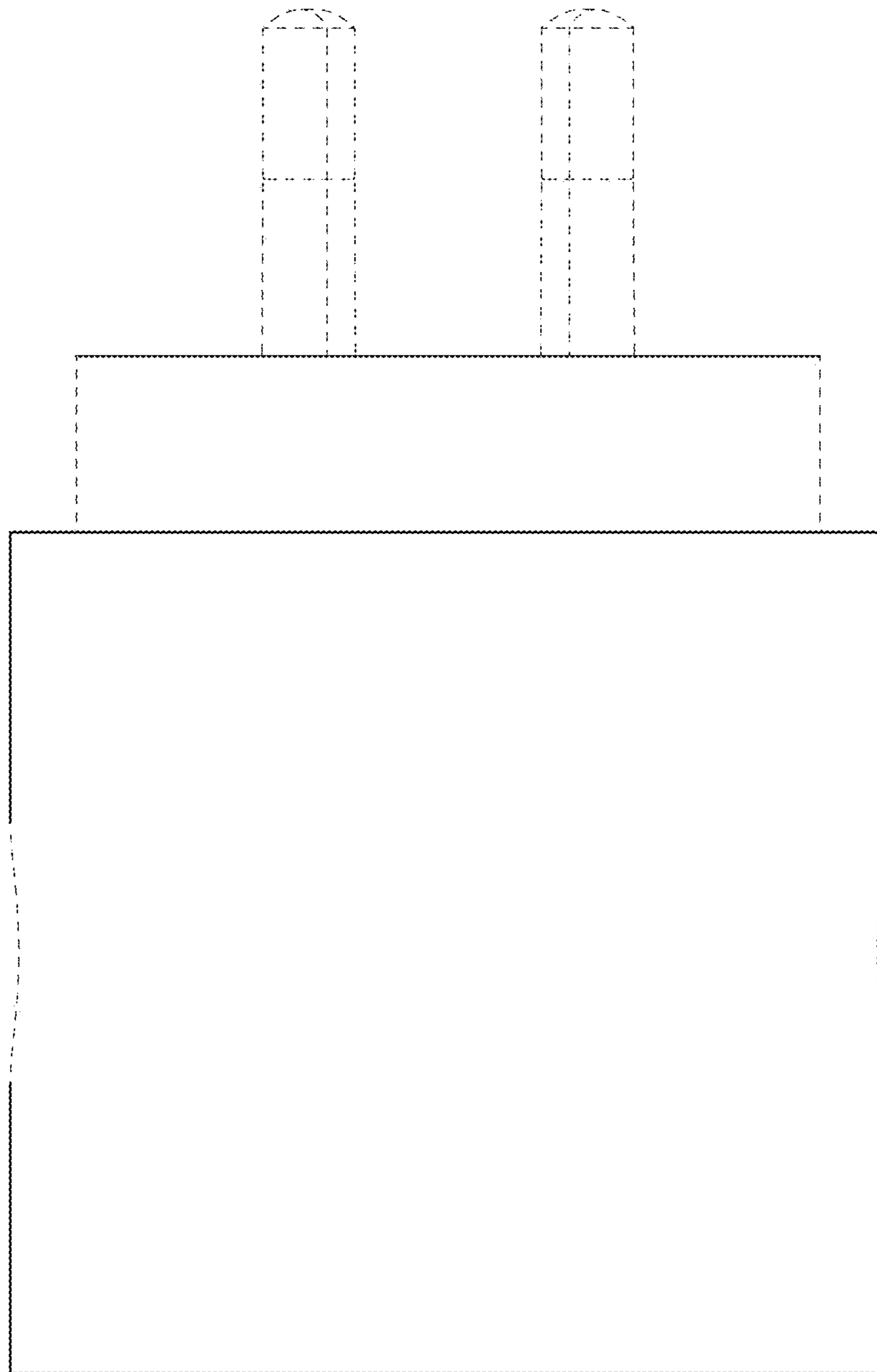


FIG. 7



**FIG. 8**