



US00D934797S

(12) **United States Design Patent** (10) **Patent No.:** **US D934,797 S**
Su et al. (45) **Date of Patent:** **** Nov. 2, 2021**

(54) **BATTERY MODULE**

(71) Applicant: **BMTPOW (SHENZHEN) LTD,**
Guangdong (CN)

(72) Inventors: **Zhefeng Su,** Guangdong (CN); **Zhixian Zhang,** Guangdong (CN); **Zhou Xu,** Guangdong (CN); **Darui Wang,** Guangdong (CN); **Qun Chen,** Guangdong (CN); **Yiheng Peng,** Guangdong (CN)

(73) Assignee: **BMTPOW (SHENZHEN) LTD,**
Shenzhen (CN)

(**) Term: **15 Years**

(21) Appl. No.: **29/749,915**

(22) Filed: **Sep. 10, 2020**

(30) **Foreign Application Priority Data**

Aug. 3, 2020 (CN) 202030432310.7

(51) **LOC (13) Cl.** **13-02**

(52) **U.S. Cl.**
USPC **D13/108; D13/103**

(58) **Field of Classification Search**
USPC D13/102–104, 106–110, 112, 114, 116, D13/118–123, 130–131, 133, 137.2, D13/137.4, 139.1, 144, 147, 149, 151, D13/153, 154, 156, 158, 159–160, 162, D13/168–169, 175, 177, 184
CPC . Y02E 60/10; H01M 2220/30; H01M 50/209; H01M 50/213; H01M 50/183; H01M 50/10; H01M 50/529; H01M 50/531; H01M 10/0525; H01M 10/0436; H01M 10/052; H01M 10/0565; H01M 10/30; H01M 10/345; H01M 10/425; H01M 2010/0495; B25F 5/02; B25F 5/00; A61B 2017/00734

See application file for complete search history.

(56) **References Cited**

U.S. PATENT DOCUMENTS

D654,023 S * 2/2012 Kyle Ching Hao D13/110
D664,499 S * 7/2012 Workman D13/107
D711,319 S * 8/2014 Wilcox D13/116
D712,834 S * 9/2014 Munro D13/116
D793,338 S * 8/2017 Zheng D13/116
D823,797 S * 7/2018 Krantz D13/110
D837,149 S * 1/2019 Yin D13/108
D842,240 S * 3/2019 Lai D13/107
D864,866 S * 10/2019 Dong D13/116
D886,047 S * 6/2020 Hung D13/107
D890,089 S * 7/2020 Yin D13/107
D897,283 S * 9/2020 Sun D13/108
10,873,192 B2 * 12/2020 Vasefi H02J 7/0042

* cited by examiner

Primary Examiner — Nathaniel D. Buckner

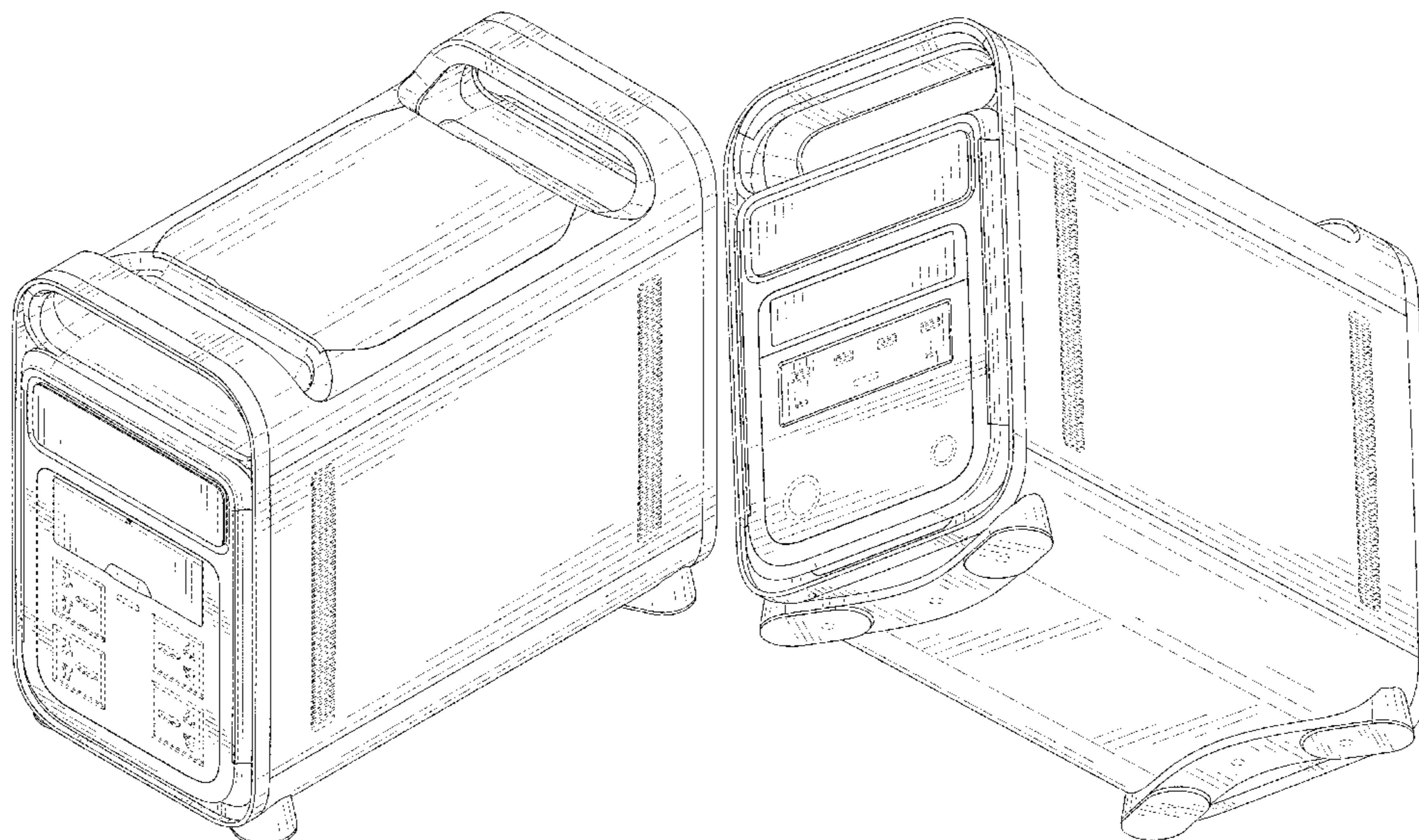
(57) **CLAIM**

The ornamental design for a battery module, as shown and described.

DESCRIPTION

FIG. 1 is a front, top and right side perspective view of a battery module showing our new design;
FIG. 2 is a bottom, rear and left side perspective view thereof;
FIG. 3 is a bottom, front and right side perspective view thereof;
FIG. 4 is a front elevational view thereof;
FIG. 5 is a rear elevational view thereof;
FIG. 6 is a left side view thereof;
FIG. 7 is a right side view thereof;
FIG. 8 is a top plan view thereof; and,
FIG. 9 is a bottom plan view thereof.
The broken lines in the drawings illustrate portions of the battery module which form no part of the claimed design.

1 Claim, 9 Drawing Sheets



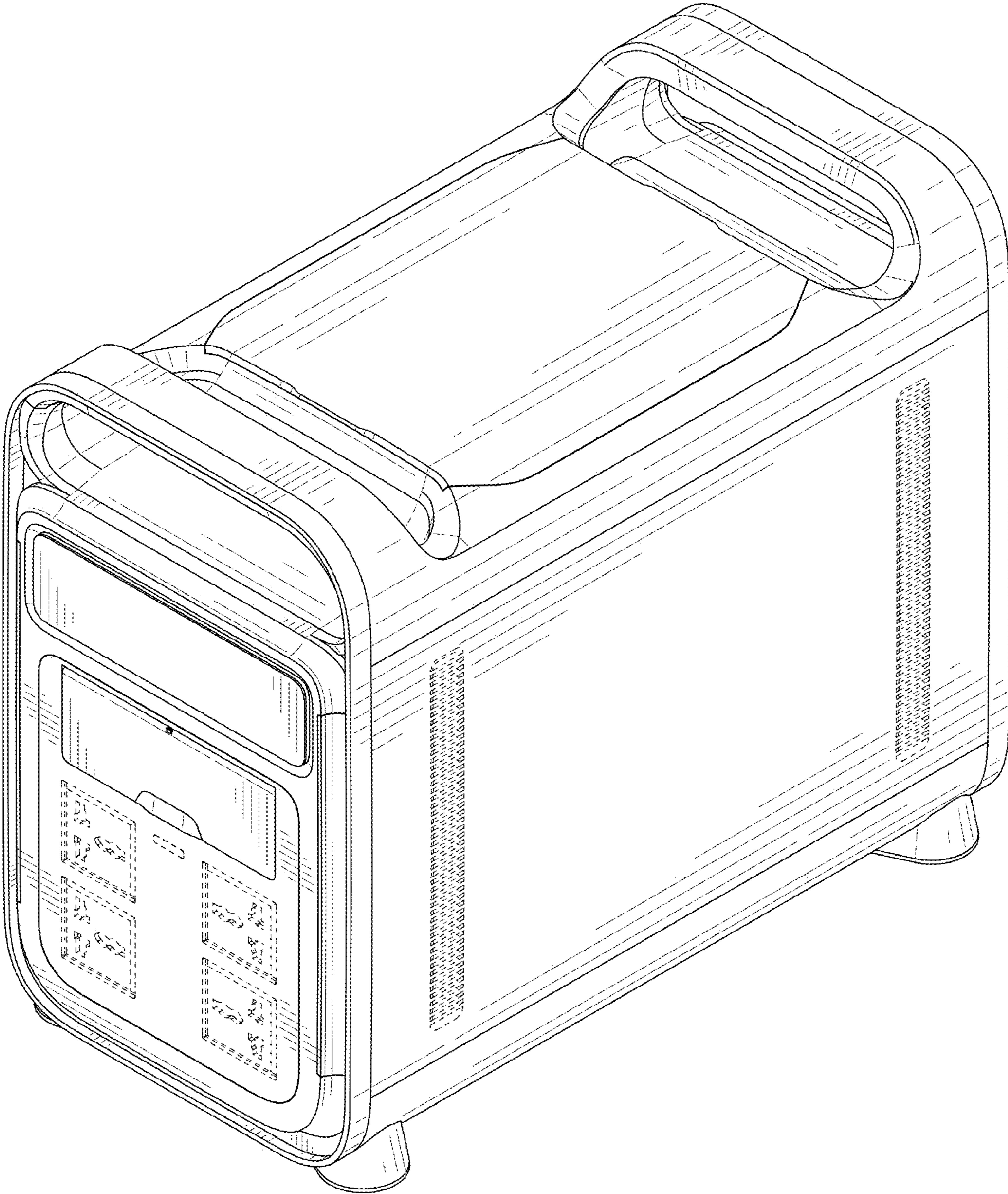


FIG. 1

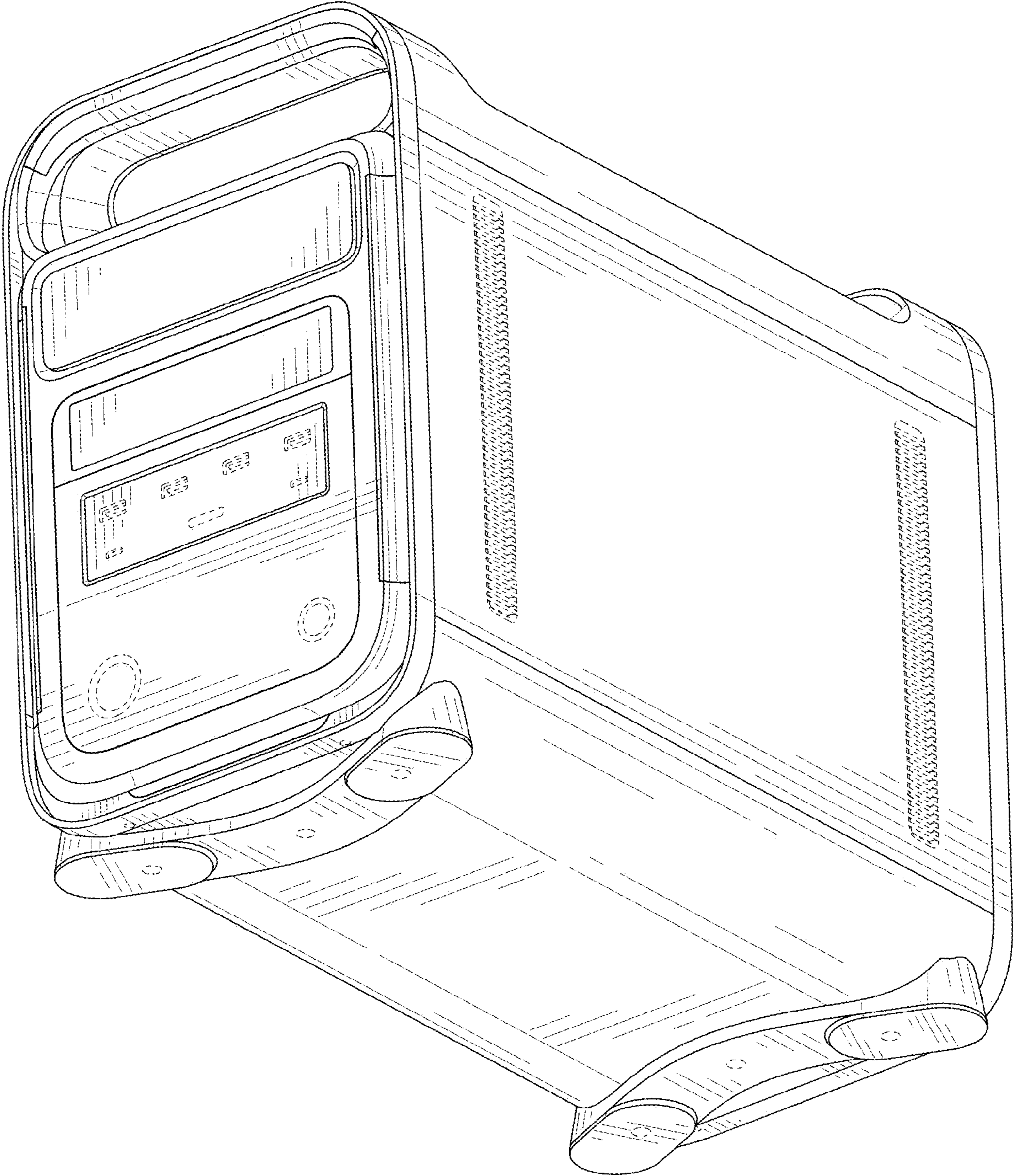


FIG. 2

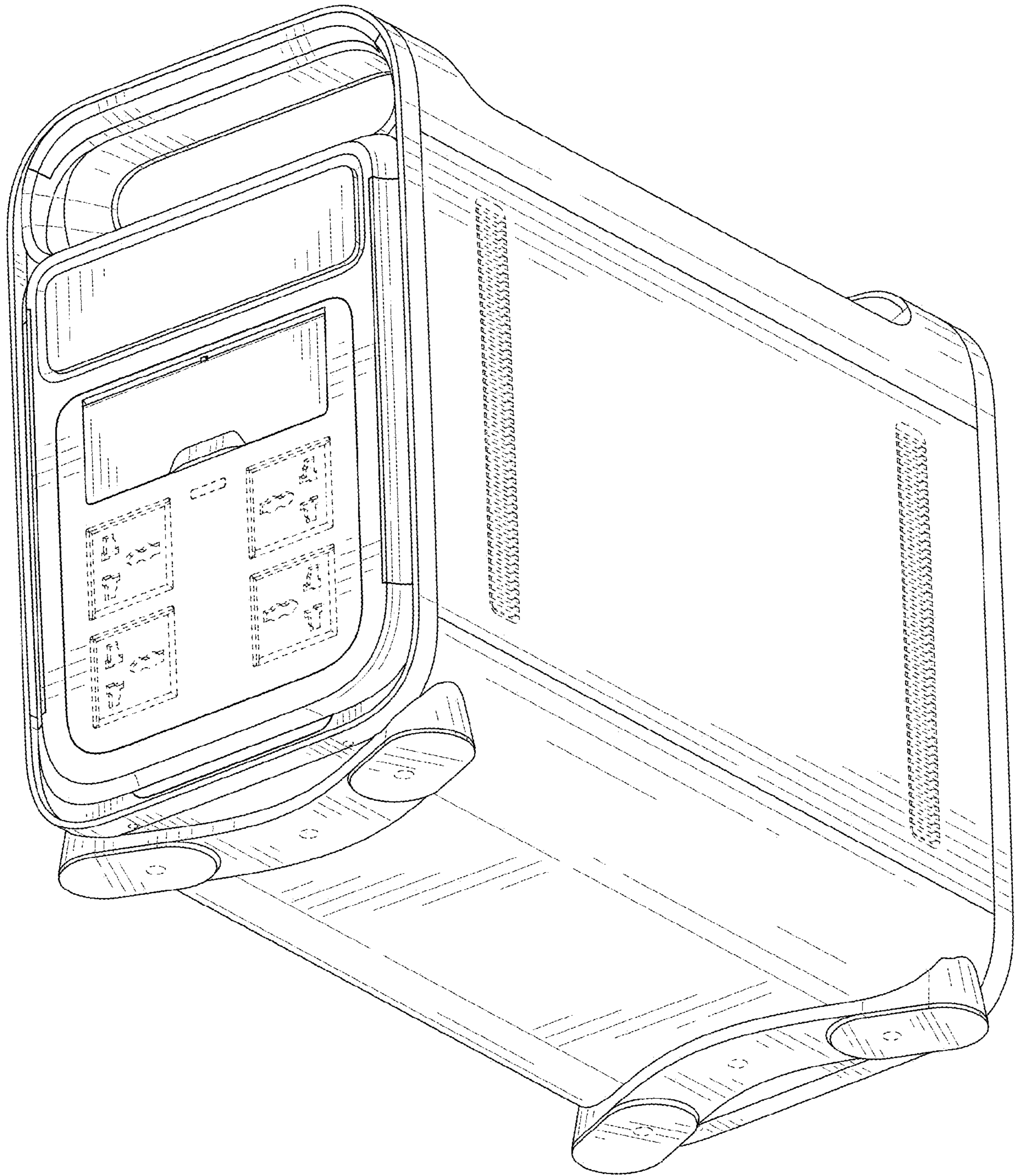


FIG. 3

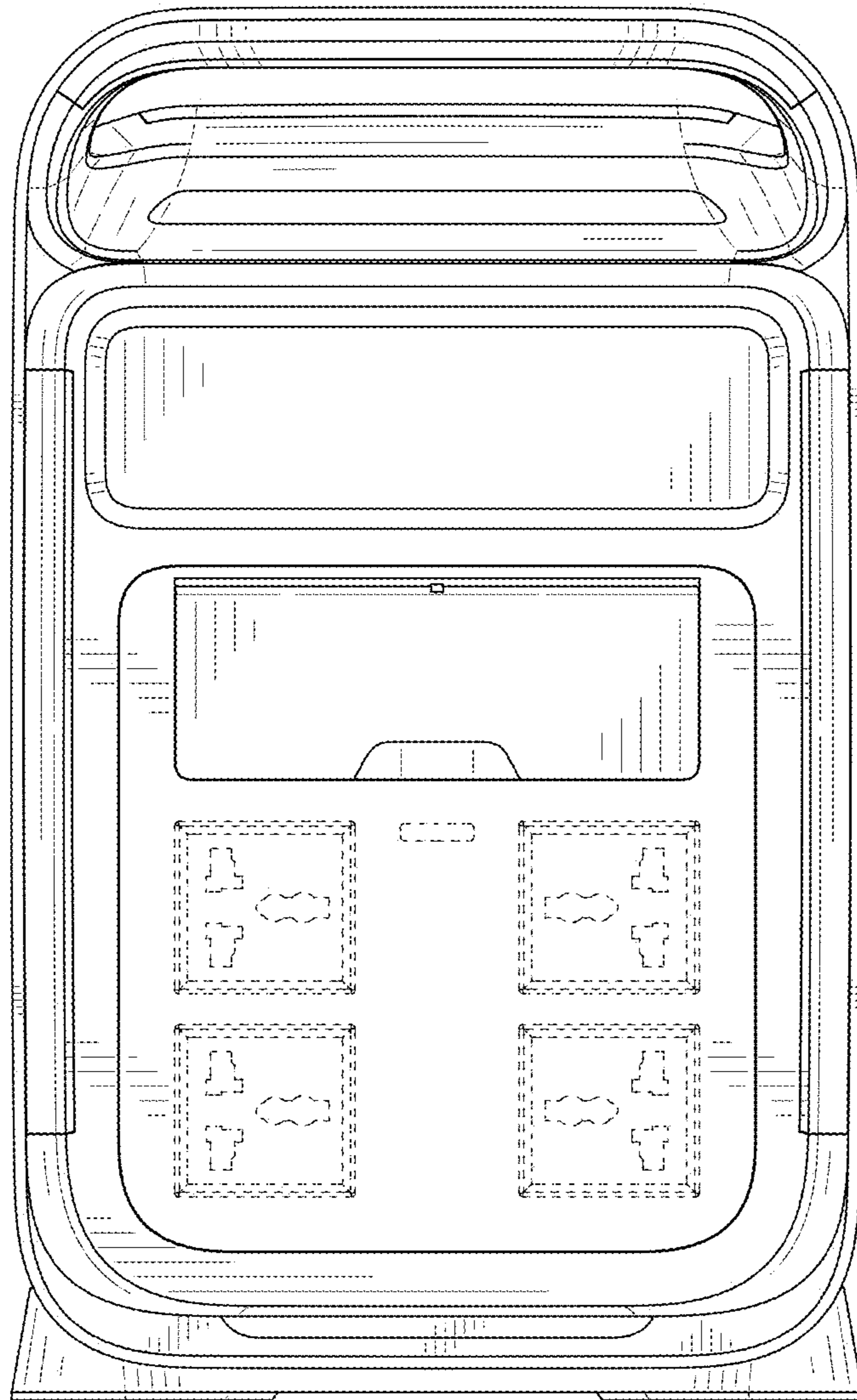


FIG. 4

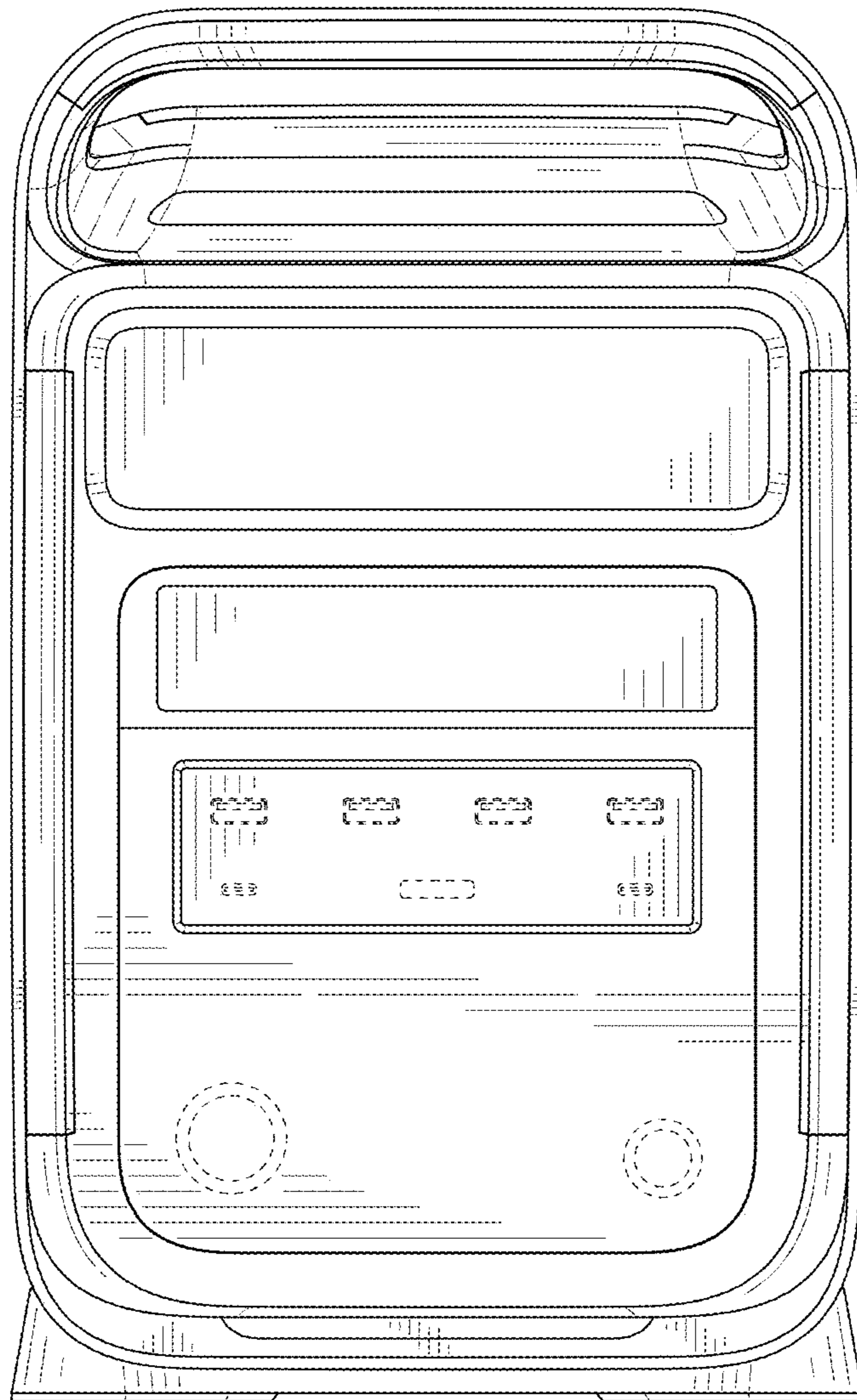


FIG. 5

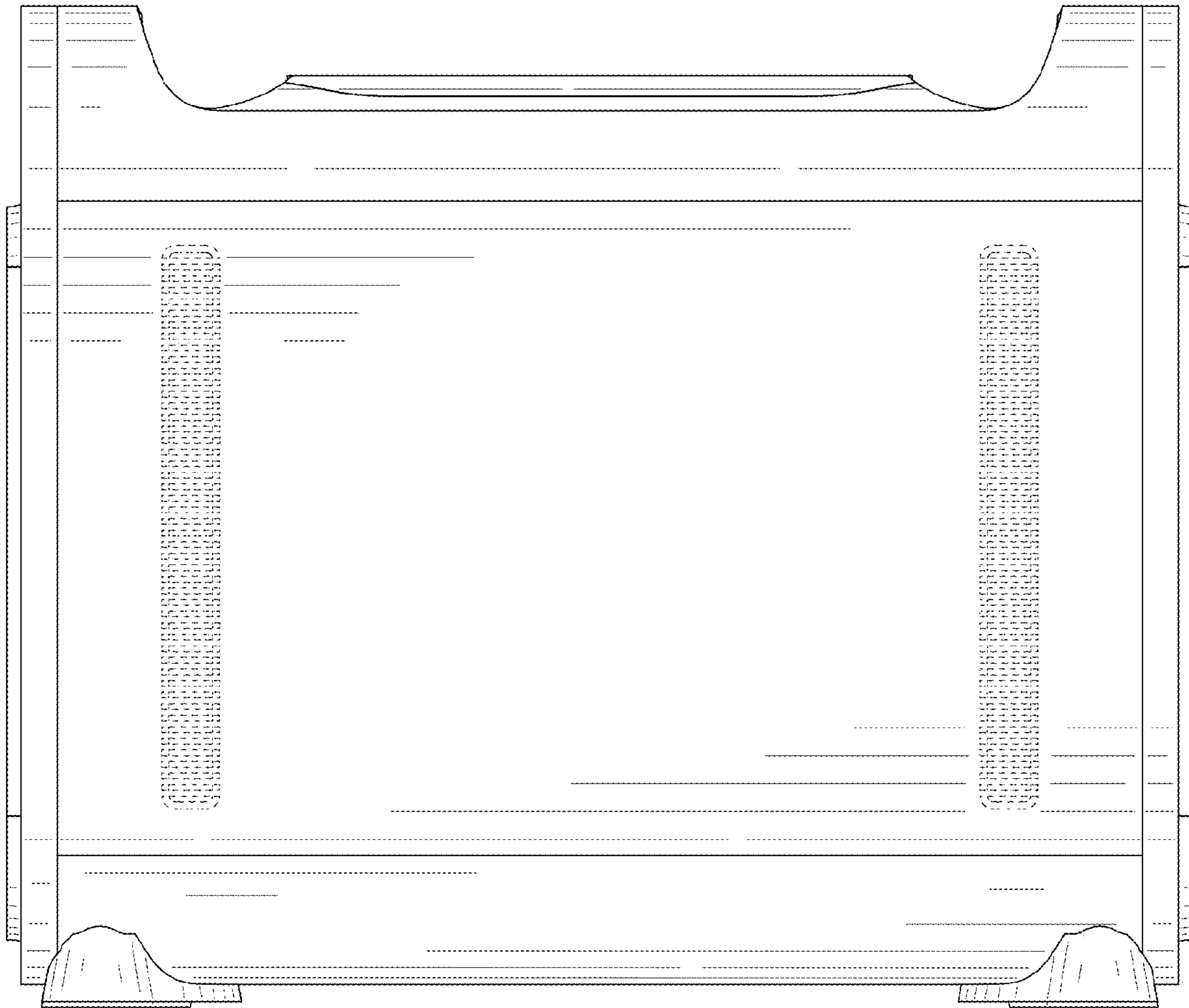


FIG. 6

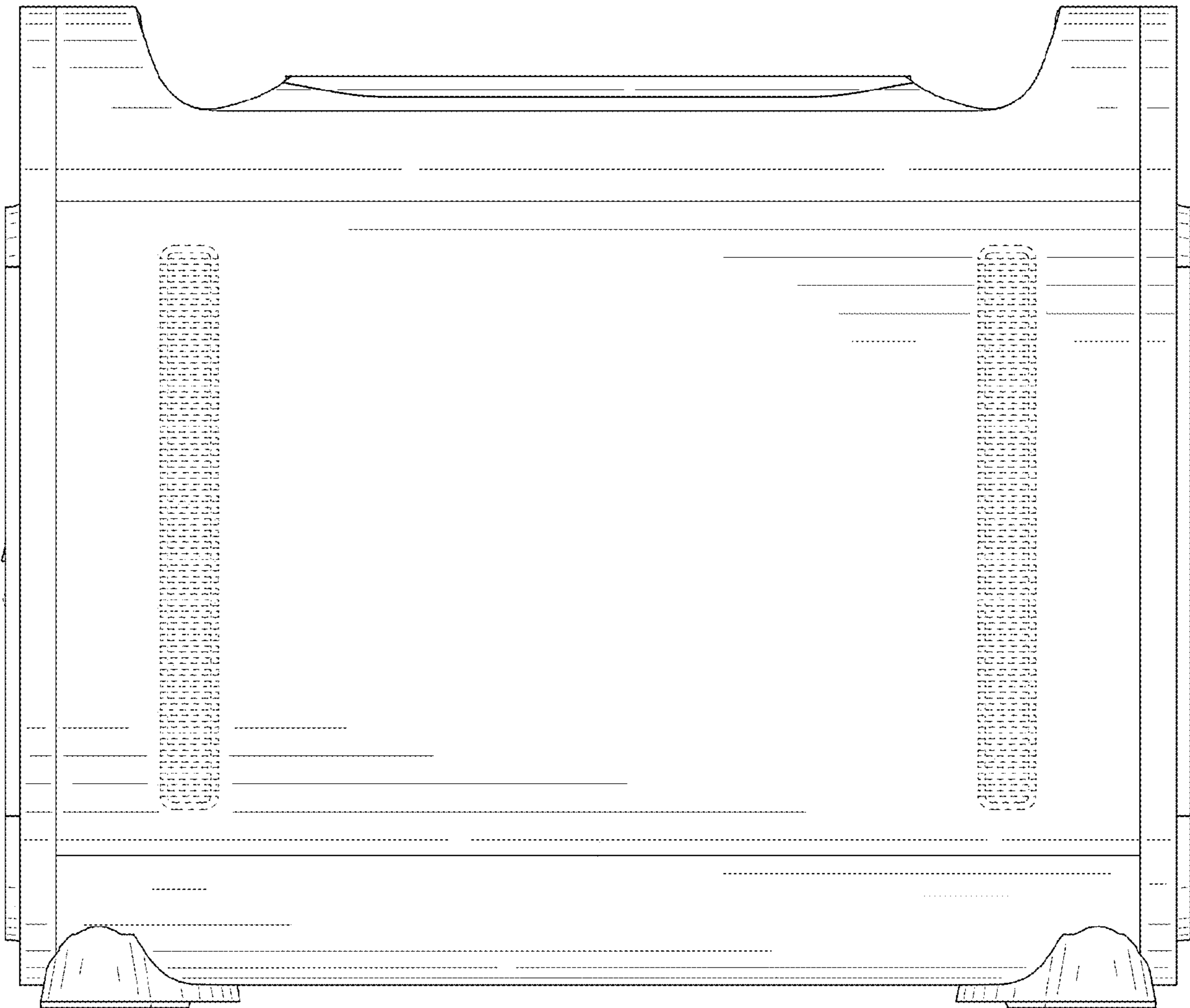


FIG. 7

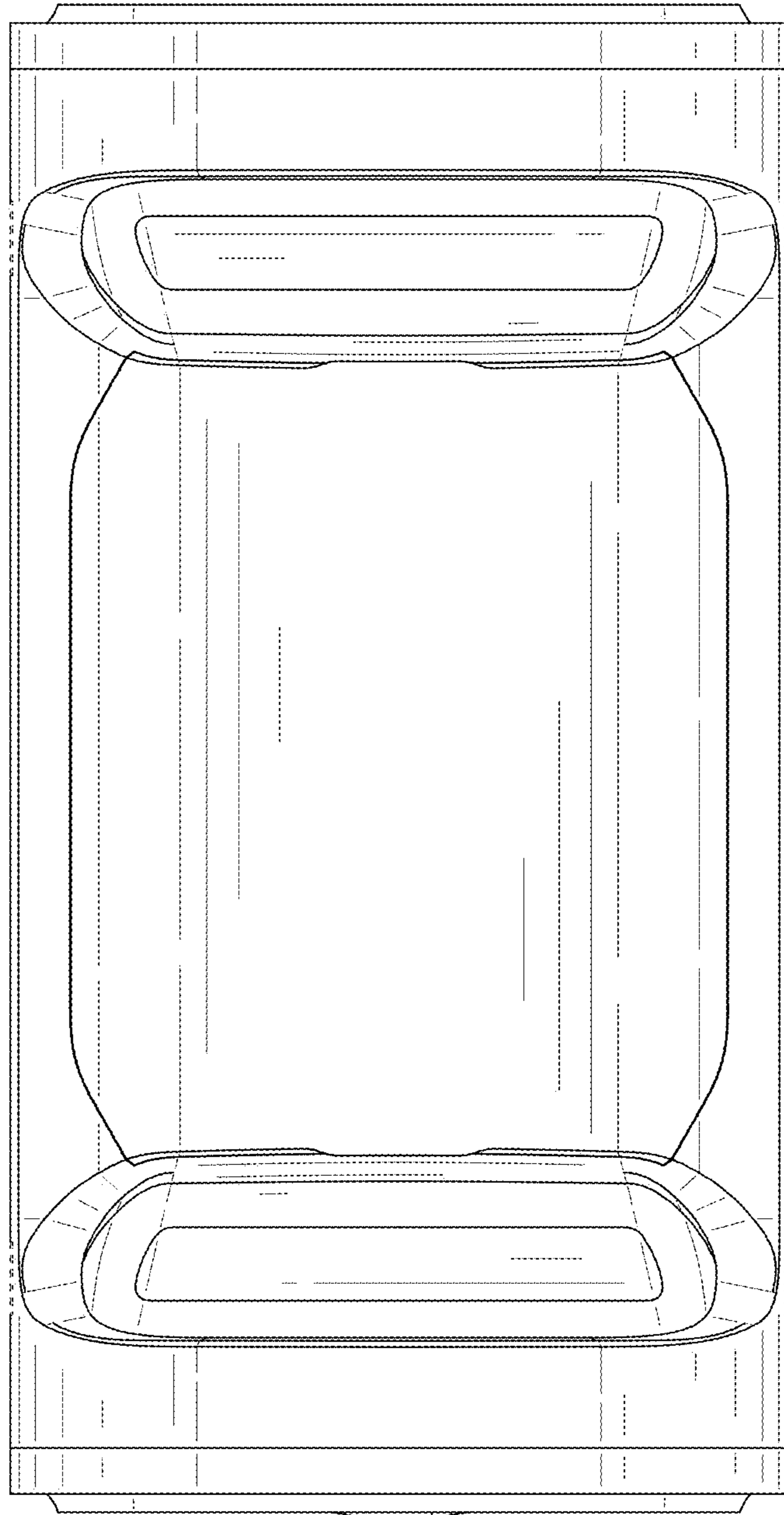


FIG. 8

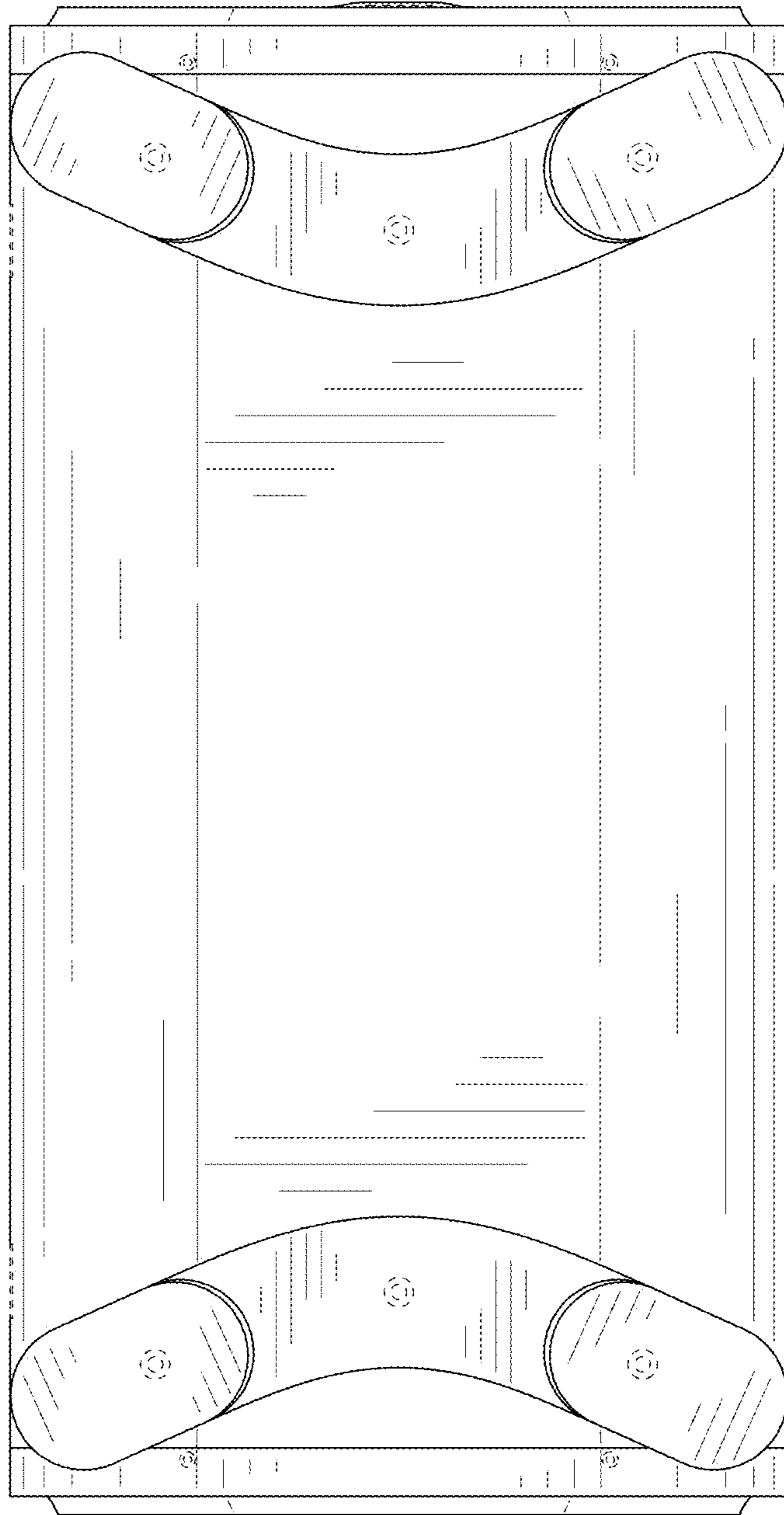


FIG. 9