



US00D934795S

(12) **United States Design Patent**
Hahn et al.

(10) **Patent No.:** **US D934,795 S**
(45) **Date of Patent:** **** Nov. 2, 2021**

(54) **CHARGING PAD**

(71) Applicant: **Nomad Goods, Inc.**, Santa Barbara, CA (US)

(72) Inventors: **Brian Hahn**, Santa Barbara, CA (US); **Tane Martin**, Santa Barbara, CA (US); **Tanner Walker**, Santa Barbara, CA (US); **Nicholas Walden**, Santa Barbara, CA (US); **Becky Liu**, Santa Barbara, CA (US); **Peter Ducato**, Santa Barbara, CA (US); **Ryan Thomas**, Santa Barbara, CA (US); **Mulin Yang**, Goleta, CA (US)

(73) Assignee: **Nomad Goods, Inc.**, Santa Barbara, CA (US)

(**) Term: **15 Years**

(21) Appl. No.: **29/731,607**

(22) Filed: **Apr. 16, 2020**

(51) **LOC (13) Cl.** **13-02**

(52) **U.S. Cl.**
USPC **D13/108**

(58) **Field of Classification Search**
USPC D13/103, 107, 108, 109, 110, 118, 119, D13/199; D14/251, 253, 432, 433, 434; D27/172, 183, 193, 194
CPC H01M 2220/00; H02J 50/00; H02J 15/00
See application file for complete search history.

(56) **References Cited**

U.S. PATENT DOCUMENTS

D656,097 S *	3/2012	Nomi	D13/108
D686,149 S *	7/2013	Lee	D13/103
D692,375 S *	10/2013	Mamane	D13/108
D770,973 S *	11/2016	Toth	D13/107
D805,471 S *	12/2017	Fluckiger	D13/107

D817,270 S *	5/2018	Kim	D13/108
D818,434 S *	5/2018	Doiron	D13/108
D839,822 S *	2/2019	Zhao	D13/103

(Continued)

OTHER PUBLICATIONS

“Nomad Wireless Charging Base Station”. Found online Jun. 2, 2021 at amazon.com. Reference dated Jan. 4, 2019. Retrieved from <https://www.amazon.com/Nomad-Wireless-Charging-Base-Station/dp/B07HY8XC8G>. (Year: 2019).*

(Continued)

Primary Examiner — Kendra Leslie Hamilton

Assistant Examiner — Amanda Christensen

(74) *Attorney, Agent, or Firm* — SoCal IP Law Group LLP; Nikki M. Dossman; Steven C. Sereboff

(57) **CLAIM**

The ornamental design for a charging pad, as shown and described.

DESCRIPTION

A portion of the disclosure of this patent document contains material which is subject to copyright protection. This patent document may show and/or describe matter which is or may become trade dress of the owner. The copyright and trade dress owner has no objection to the facsimile reproduction by anyone of the patent disclosure as it appears in the Patent and Trademark Office patent files or records, but otherwise reserves all copyright and trade dress rights whatsoever.

FIG. 1 is a top perspective view of a charging pad;

FIG. 2 is a bottom perspective view thereof;

FIG. 3 is a front view thereof;

FIG. 4 is a back view thereof;

FIG. 5 is a right-side view thereof;

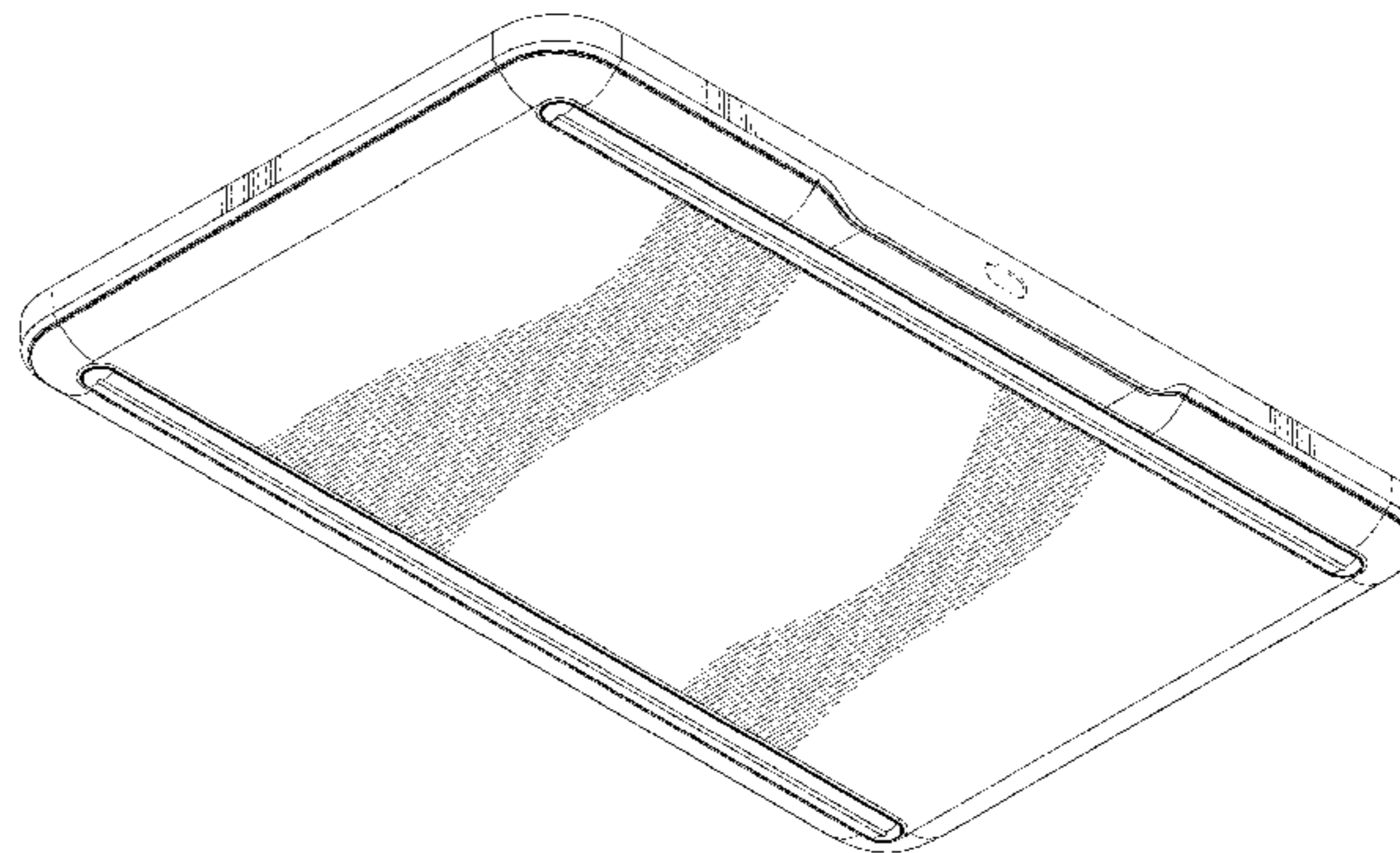
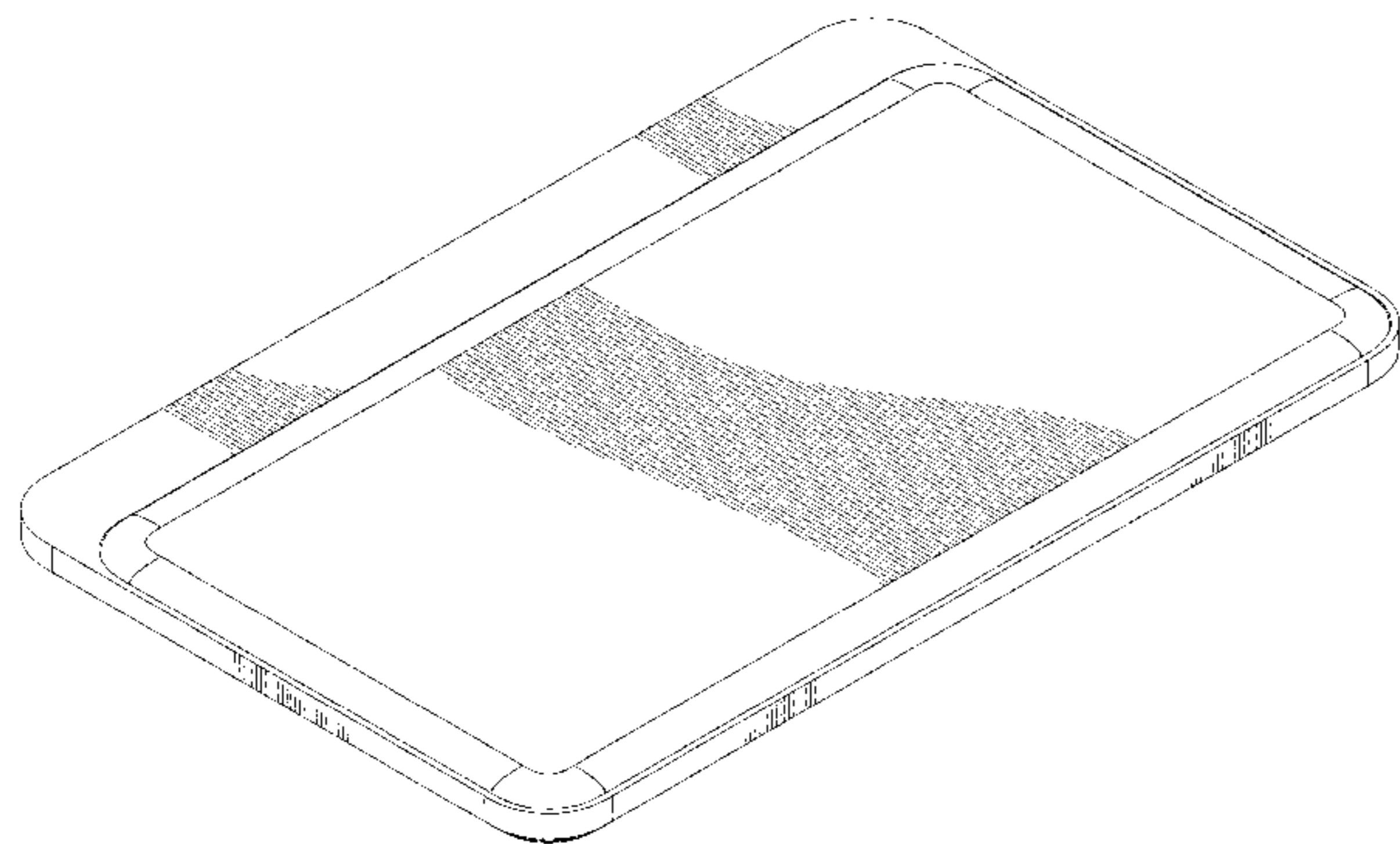
FIG. 6 is a left-side view thereof;

FIG. 7 is a top view thereof; and,

FIG. 8 is a bottom view thereof.

The broken lines shown represent unclaimed subject matter and form no part of the claimed design.

1 Claim, 6 Drawing Sheets



(56)

References Cited

U.S. PATENT DOCUMENTS

D883,204 S * 5/2020 Narayana Bhat D13/108
D883,923 S * 5/2020 Keferstein D13/108
2011/0227536 A1* 9/2011 Bourilkov H02J 7/0034
320/112
2017/0338684 A1* 11/2017 Mishriki H04B 5/0037
2020/0059110 A1* 2/2020 Pan H02J 50/12

OTHER PUBLICATIONS

“Tzumi Wireless Charging Pad”. Found online Jun. 2, 2021 at walmart.com. Reference dated Nov. 23, 2018. Retrieved from <https://www.walmart.com/ip/Tzumi-Wireless-Charging-Pad-and-Rechargeable-Wireless-Mouse-Built-in-Wireless-Charging-Phone-Stand-for-all-Qi-Enabled-Devices/919215913>. (Year: 2018).*

“FLIway Wireless Charging Pads”. Found online Apr. 21, 2021 at amazon.com. Reference dated Feb. 4, 2017. Retrieved from https://www.amazon.com/exec/obidos/ASIN/B01MYFUAP7/b00dra2xfa-20/ref=as_li_ss_tl. (Year: 2017).*

* cited by examiner

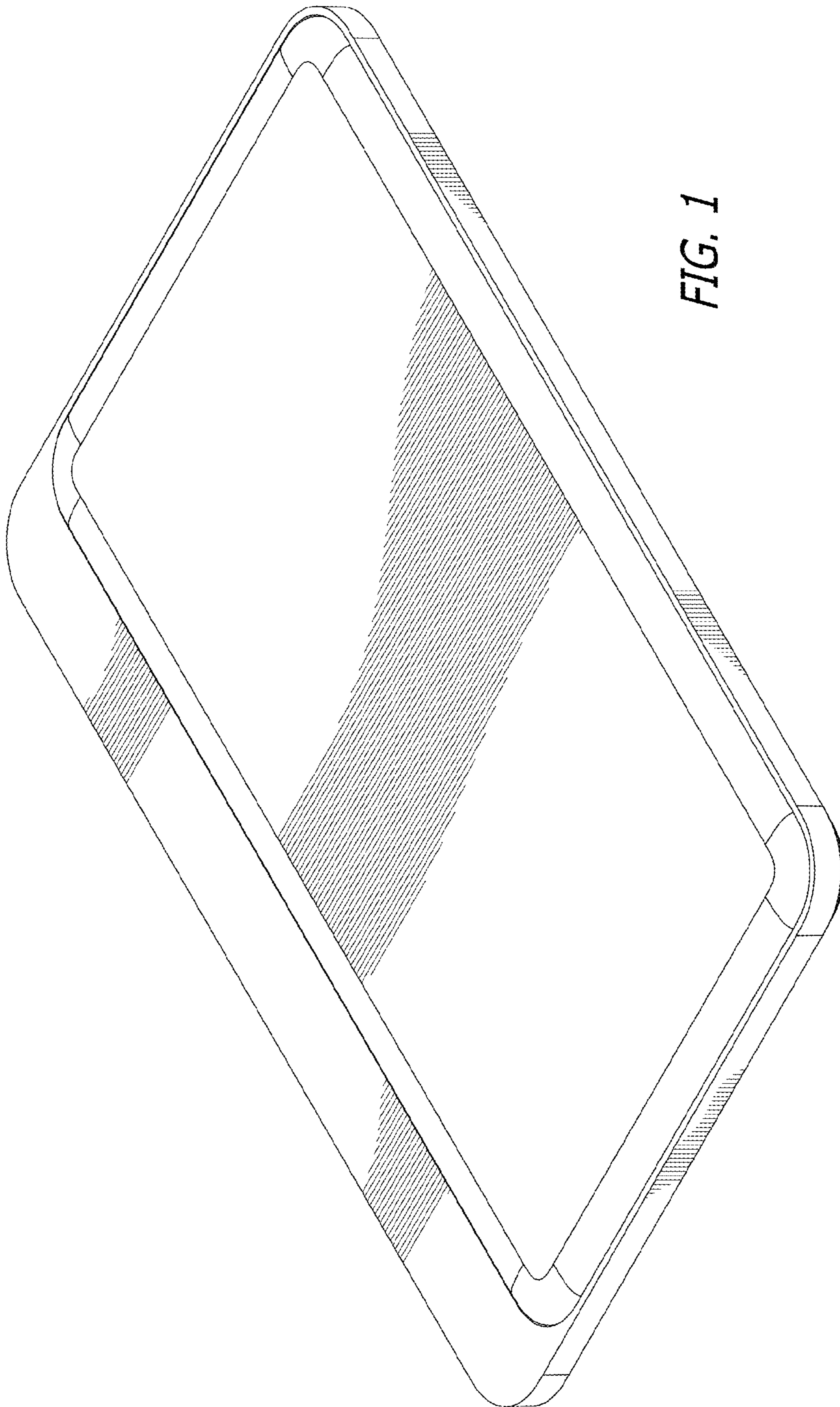


FIG. 1

(c) 2020 Nomad Goods, Inc.

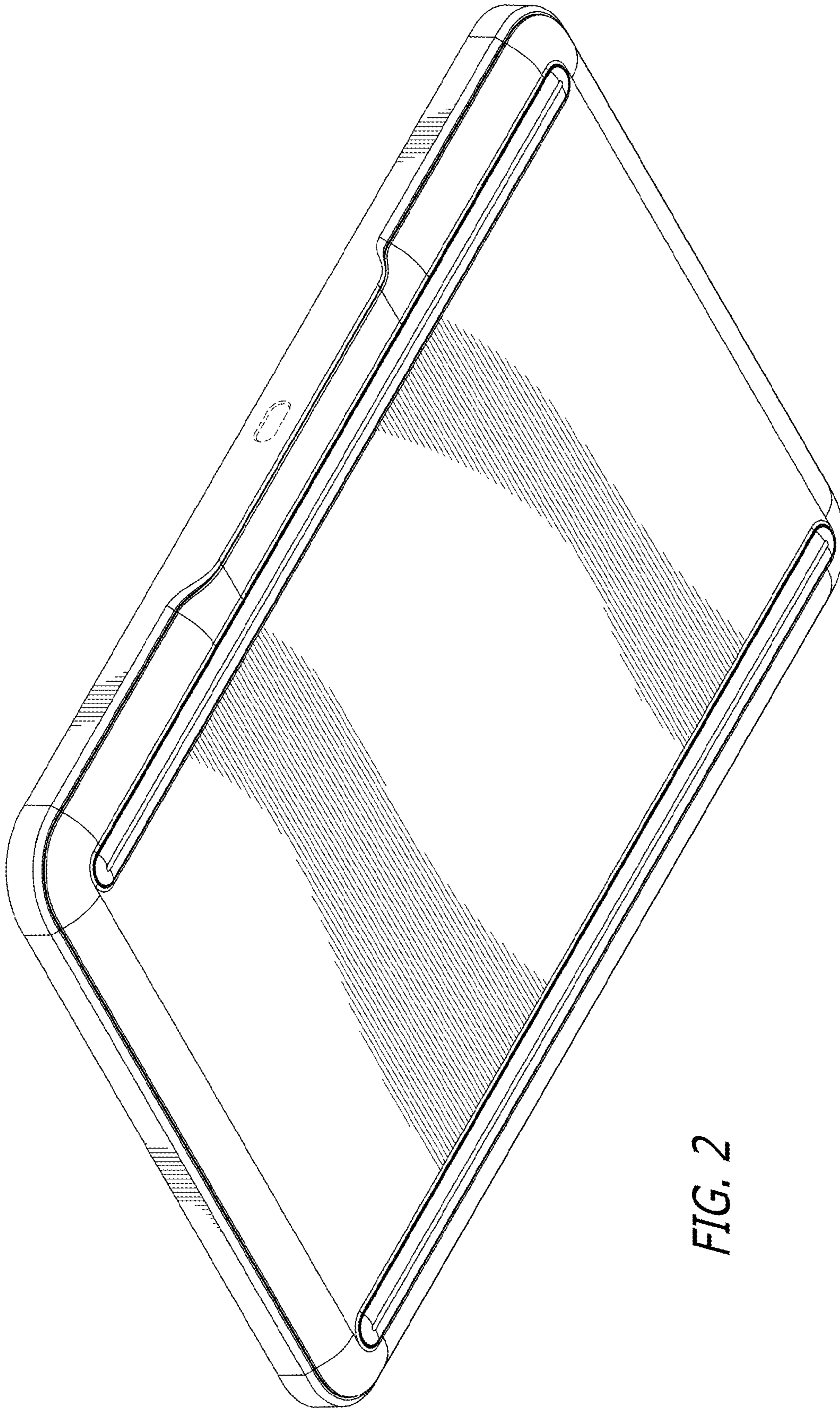


FIG. 2

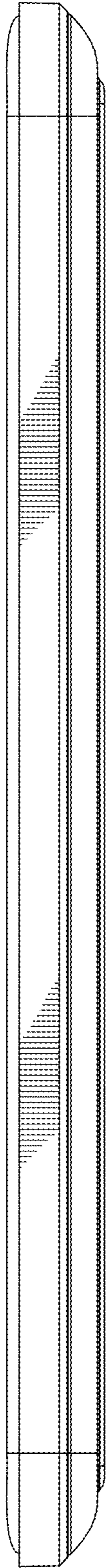


FIG. 3

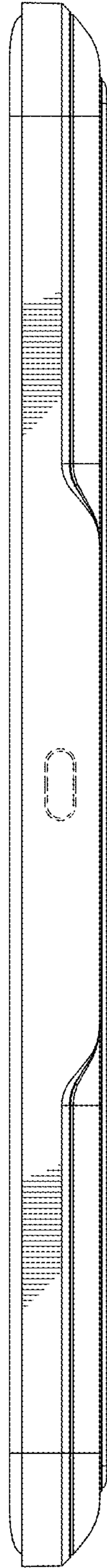


FIG. 4

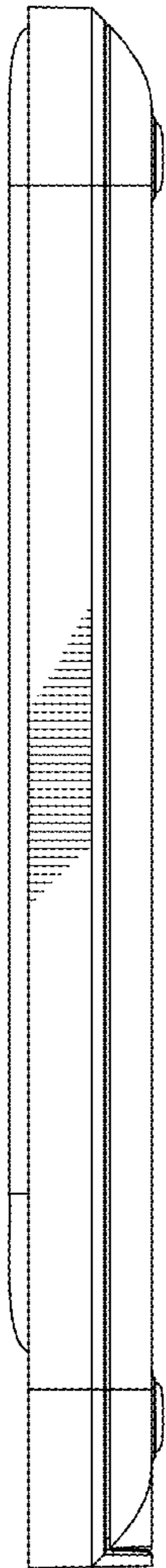


FIG. 5

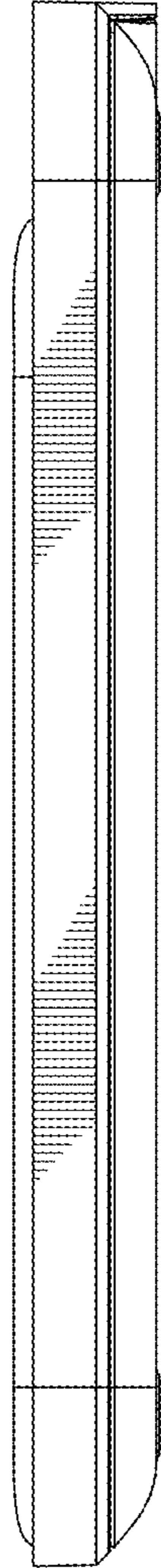


FIG. 6

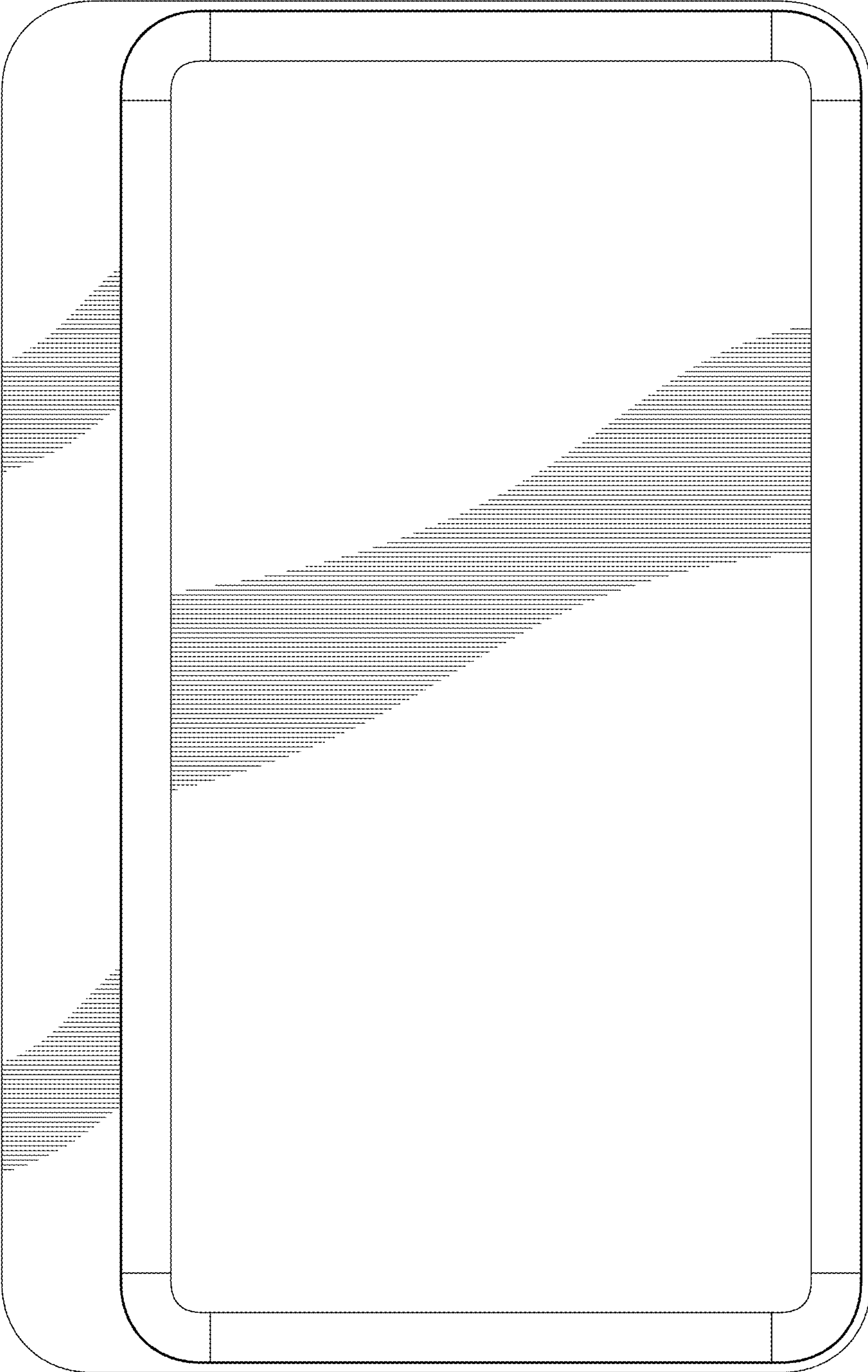


FIG. 7

(c) 2020 Nomad Goods, Inc.

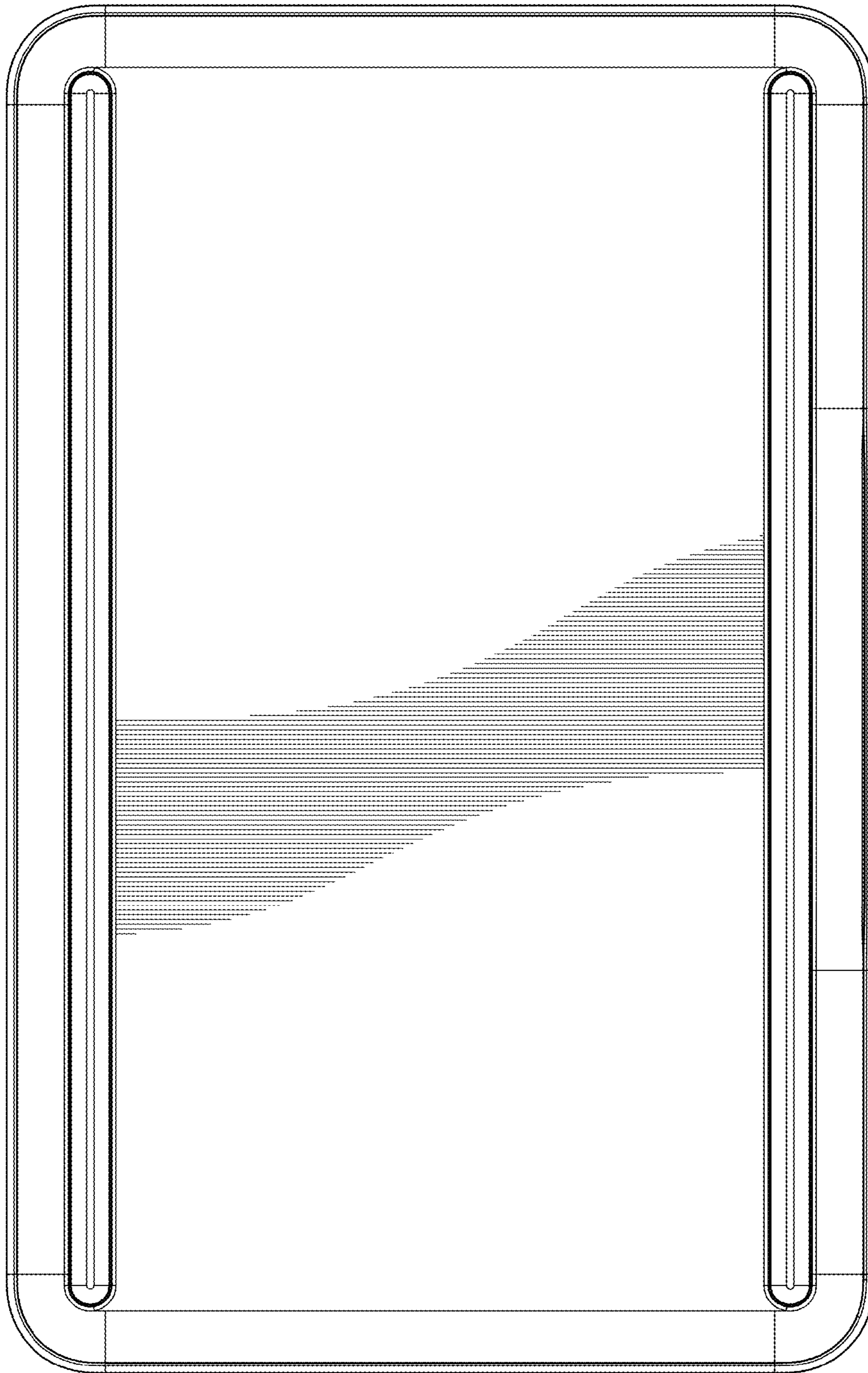


FIG. 8