



US00D934793S

(12) **United States Design Patent** (10) **Patent No.:** **US D934,793 S**
Shu (45) **Date of Patent:** **** Nov. 2, 2021**

(54) **JUMP STARTER**

(71) Applicant: **Shanshan Shu**, Shenzhen (CN)

(72) Inventor: **Shanshan Shu**, Shenzhen (CN)

(**) Term: **15 Years**

(21) Appl. No.: **29/756,367**

(22) Filed: **Oct. 28, 2020**

(30) **Foreign Application Priority Data**

Oct. 27, 2020 (EP) 008214969

(51) **LOC (13) Cl.** **13-02**

(52) **U.S. Cl.**
USPC **D13/107**

(58) **Field of Classification Search**

USPC D13/110, 103, 107, 108, 118, 119, 123,
D13/162, 168, 169, 174, 177, 184, 199;
D14/257, 363, 432, 433, 438

CPC H01M 10/44; H01M 10/465; Y02E 60/00;
Y02E 60/10; Y02E 60/14; Y02E 60/50;
Y02E 60/122; Y02E 60/124; H02M 7/00;
H02M 7/003; H02M 2001/009; H02J
7/007; H02J 7/0003; H02J 7/0011; H02J
7/0042; H02J 7/0047; H02J 7/0052; H02J
7/0055; H02J 7/0057; Y10T 307/367

See application file for complete search history.

(56) **References Cited**

U.S. PATENT DOCUMENTS

D658,121 S * 4/2012 Martin D13/102
D745,455 S * 12/2015 Nook D13/107

D803,151 S 11/2017 Zhou et al.
D813,162 S * 3/2018 Krantz D13/110
D818,953 S * 5/2018 Xu D13/110
D821,306 S * 6/2018 Liu D13/107
D832,781 S * 11/2018 Nook D13/107
D836,064 S * 12/2018 Liu D13/102
D851,586 S * 6/2019 Liu D13/108
D884,608 S * 5/2020 Gan D13/107
D884,609 S 5/2020 Gan et al.
2016/0359352 A1* 12/2016 Chiu F02N 11/12

* cited by examiner

Primary Examiner — Derrick E Holland

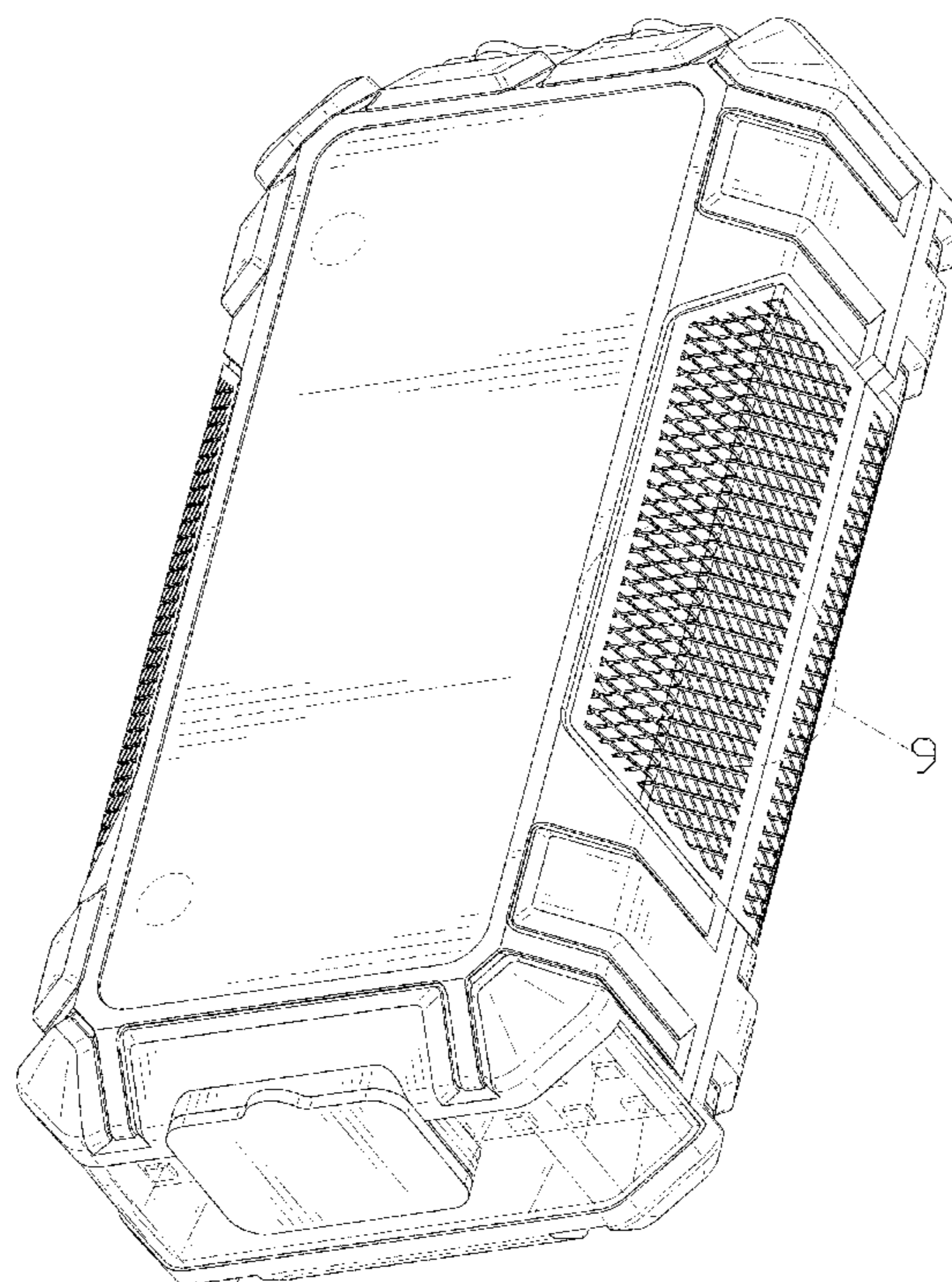
(57) **CLAIM**

The ornamental design for a jump starter, as shown and described.

DESCRIPTION

FIG. 1 is a perspective view of a jump starter showing my new design;
FIG. 2 is another perspective view thereof;
FIG. 3 is a front elevational view thereof;
FIG. 4 is a rear elevational view thereof;
FIG. 5 is a left side elevational view thereof;
FIG. 6 is a right side elevational view thereof;
FIG. 7 is a top plan view thereof;
FIG. 8 is a bottom plan view thereof; and,
FIG. 9 is an enlarged view of portion 9 shown in FIG. 1.
The broken lines in the drawings depict portions of the jump starter that form no part of the claimed design.
The short-dash long-dash broken lines shown in FIGS. 1 and 9 define the bounds of the claimed design and form no part thereof.

1 Claim, 9 Drawing Sheets



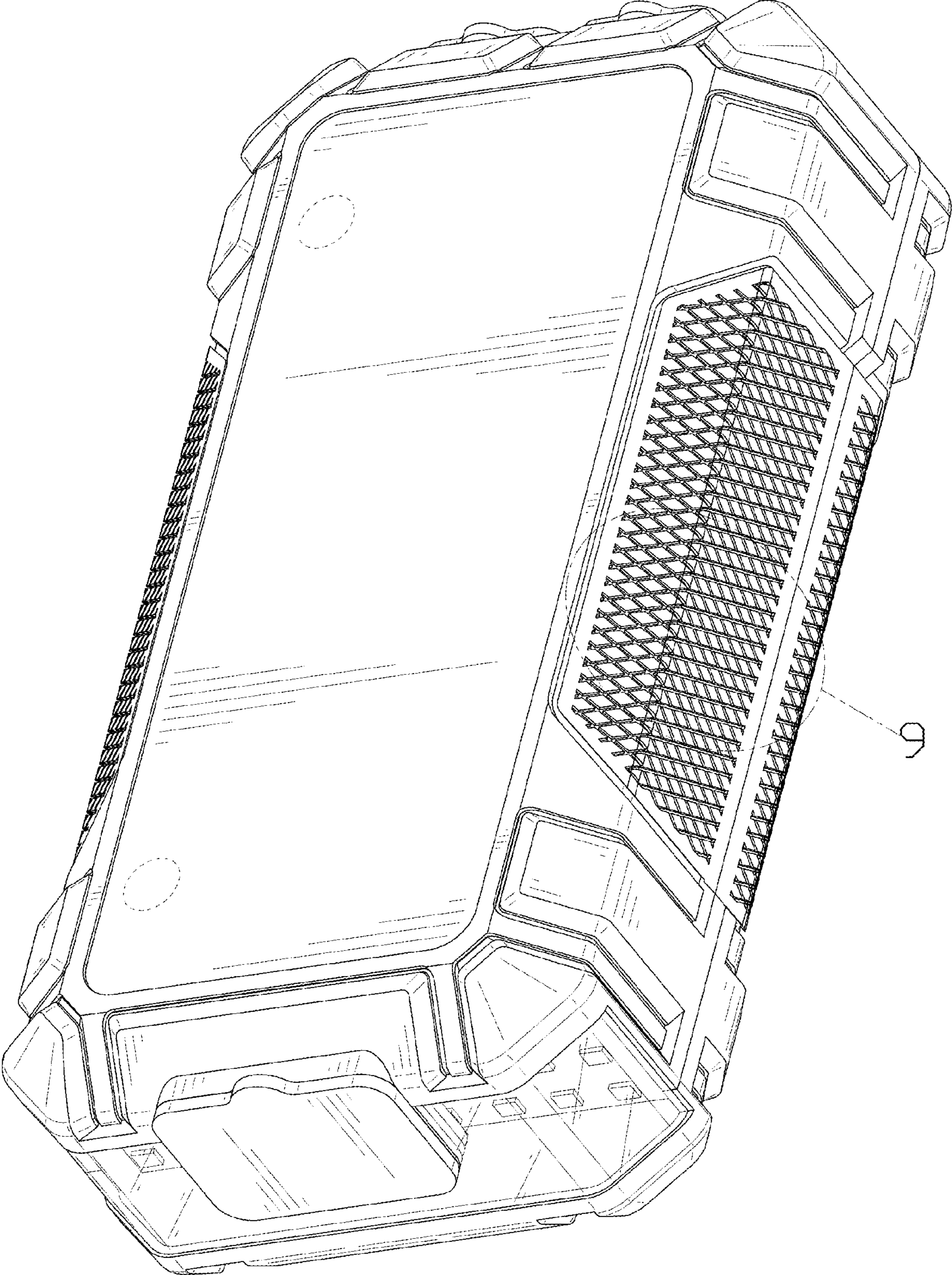


FIG. 1

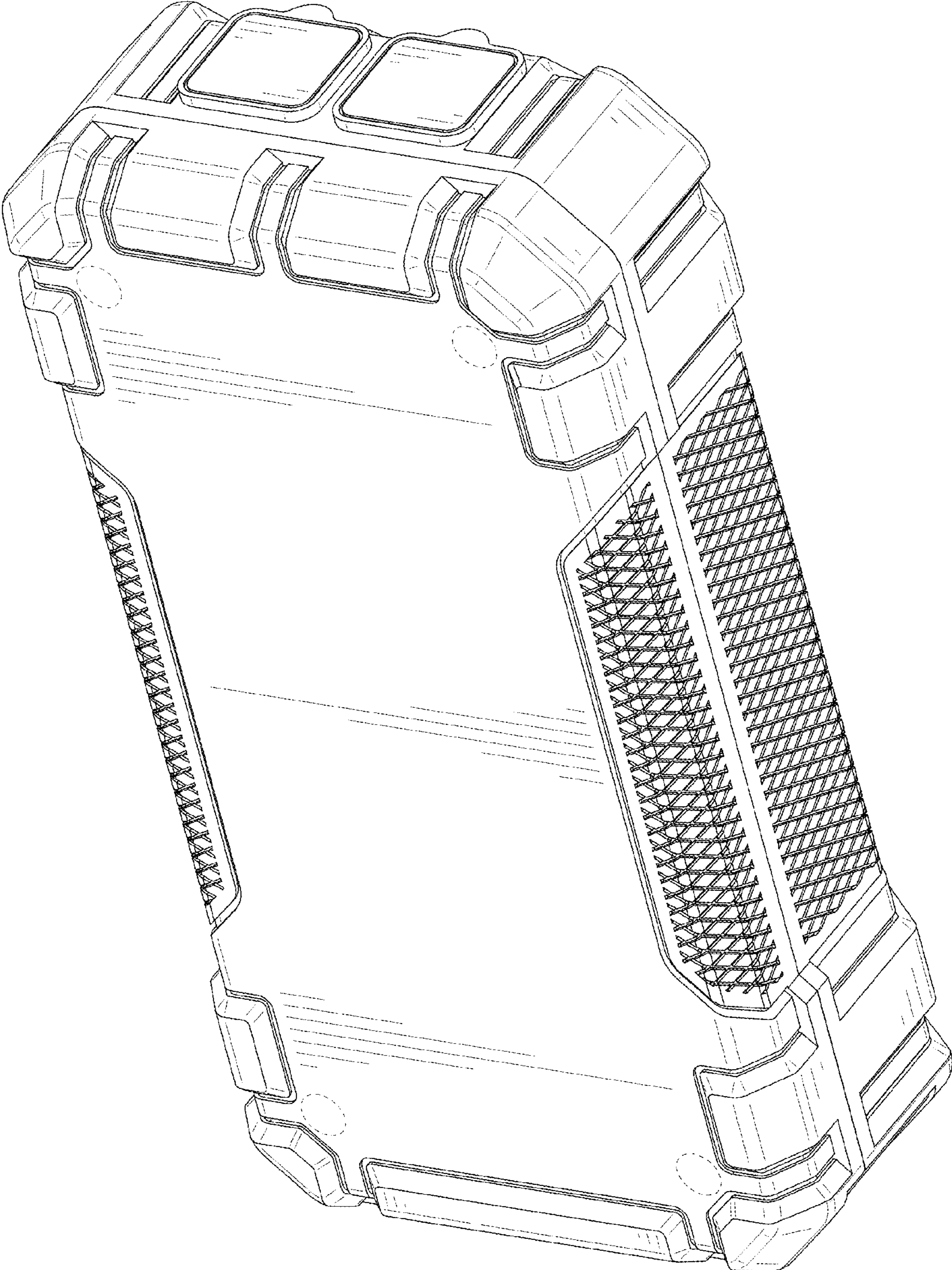


FIG. 2

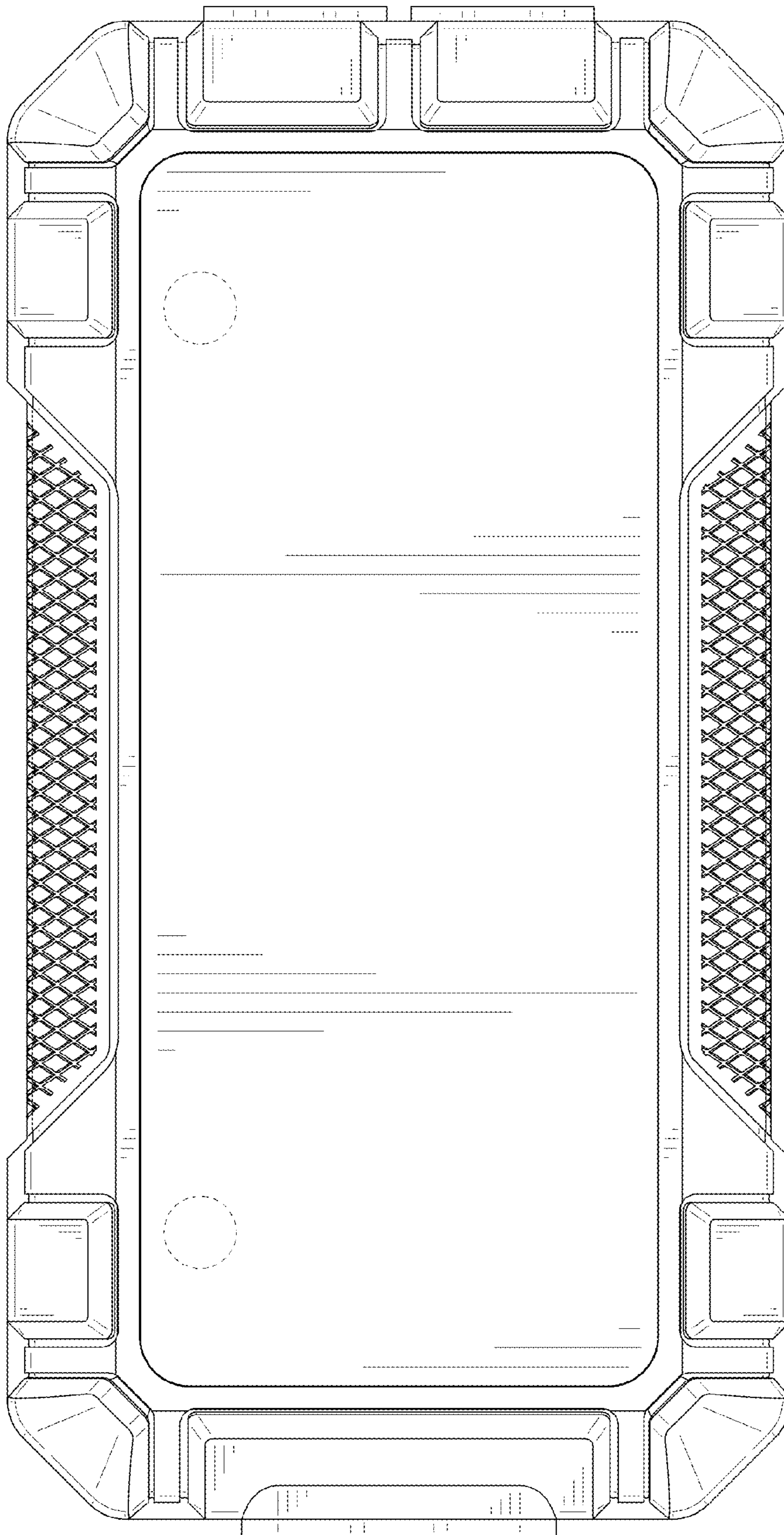


FIG. 3

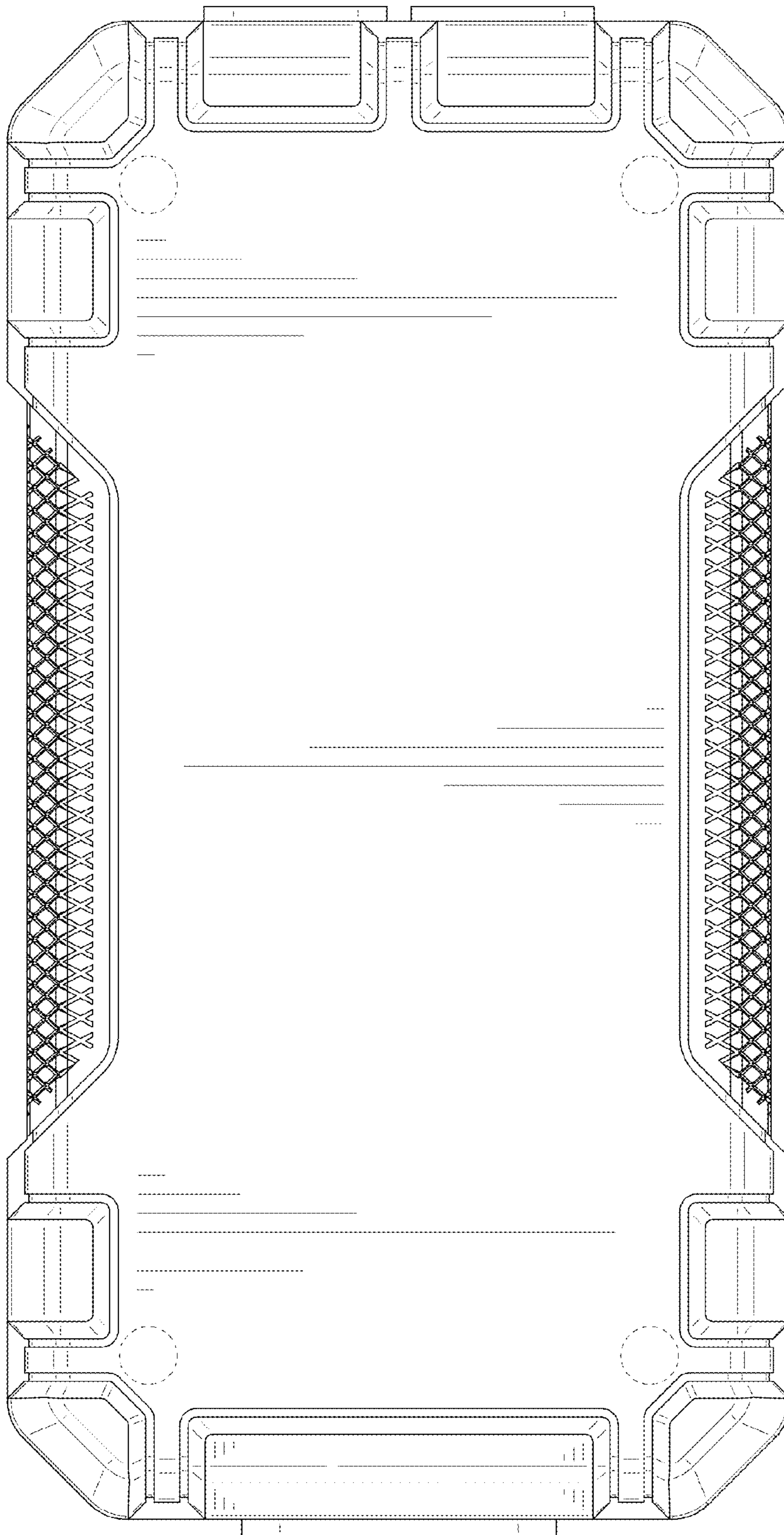


FIG. 4

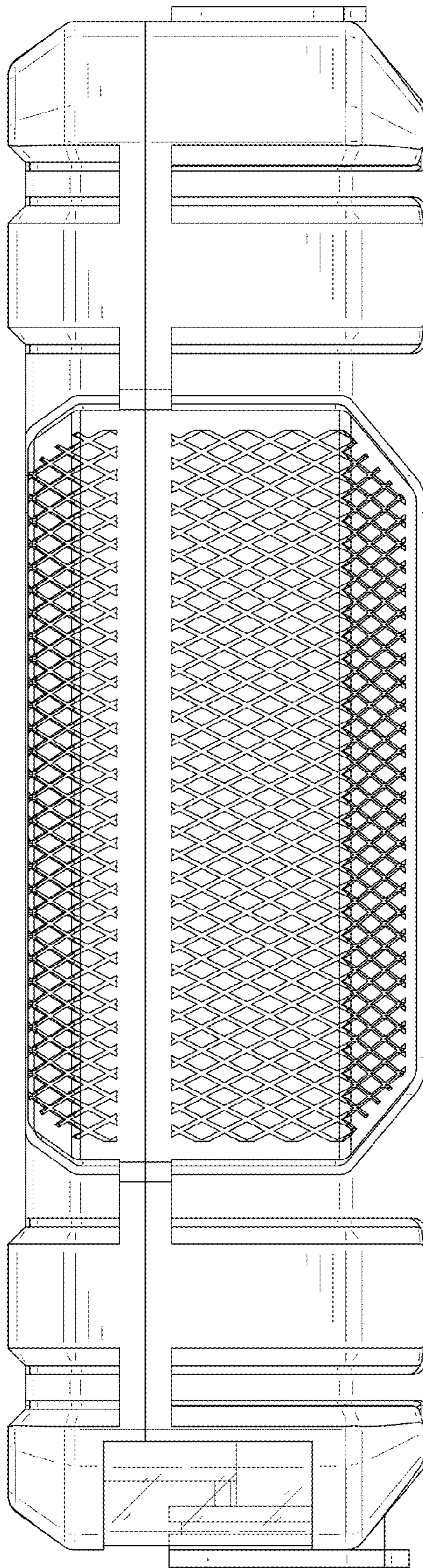


FIG. 5

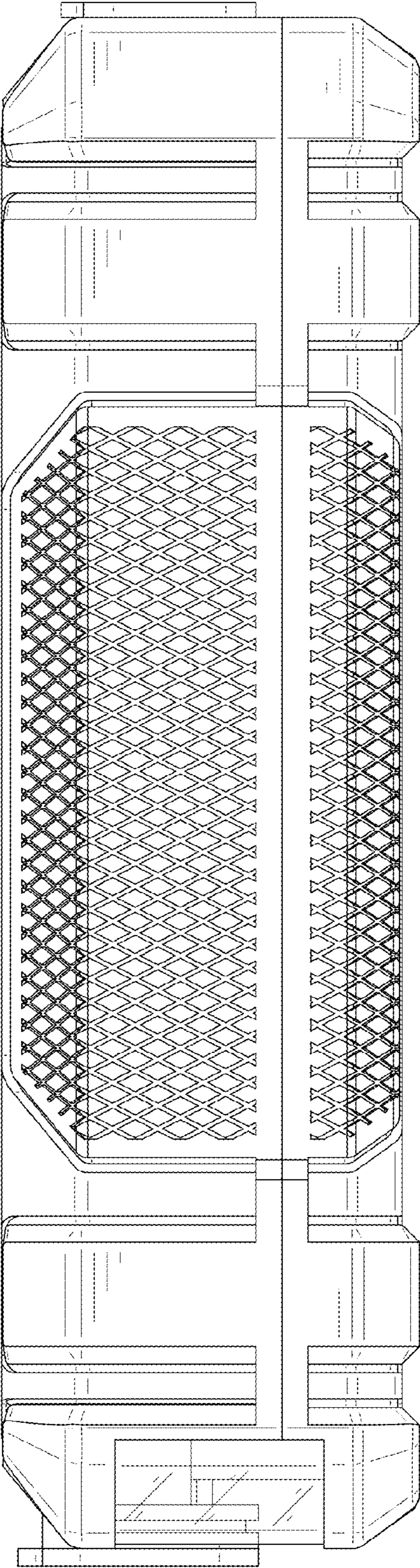


FIG. 6

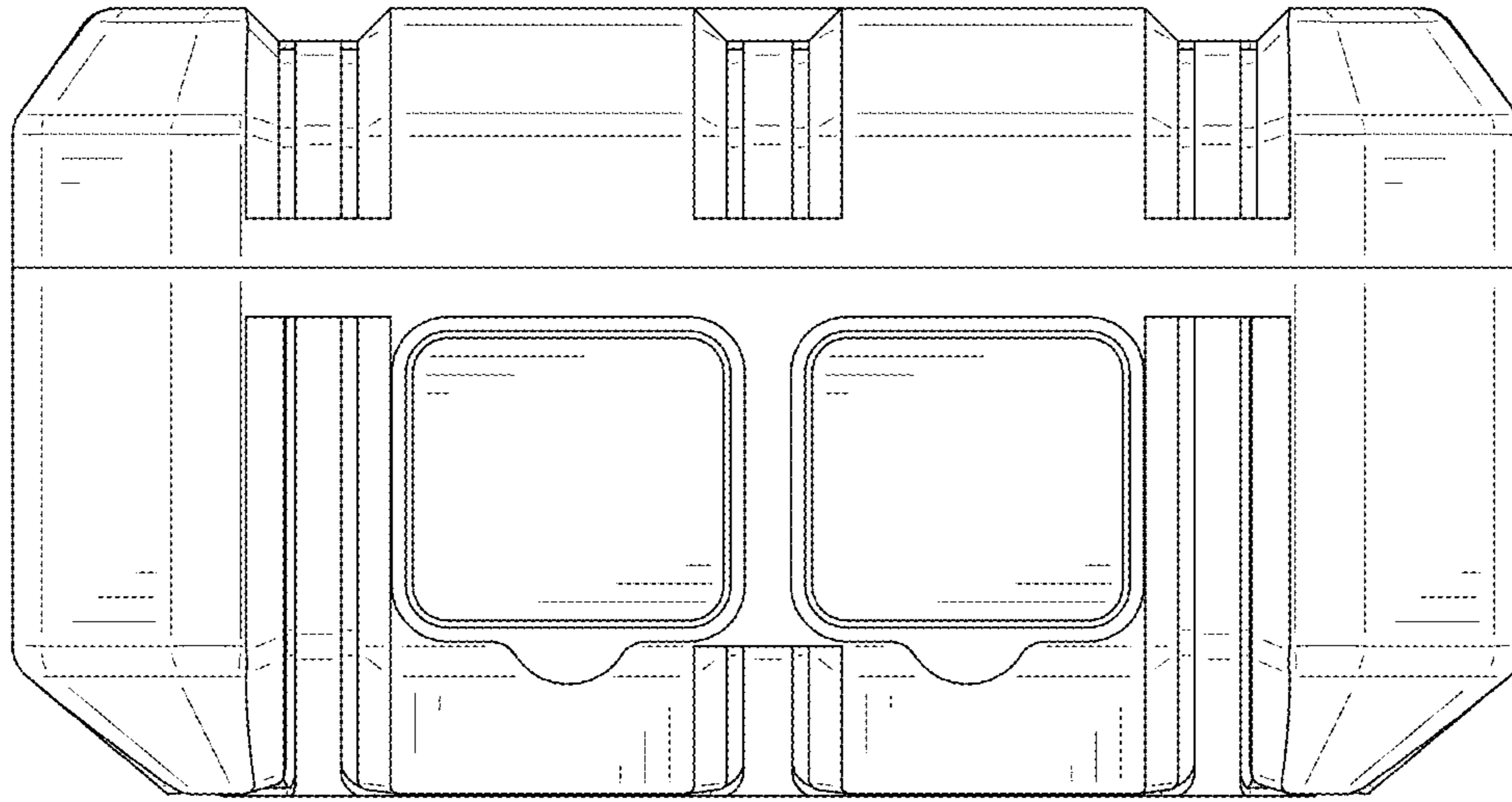


FIG. 7

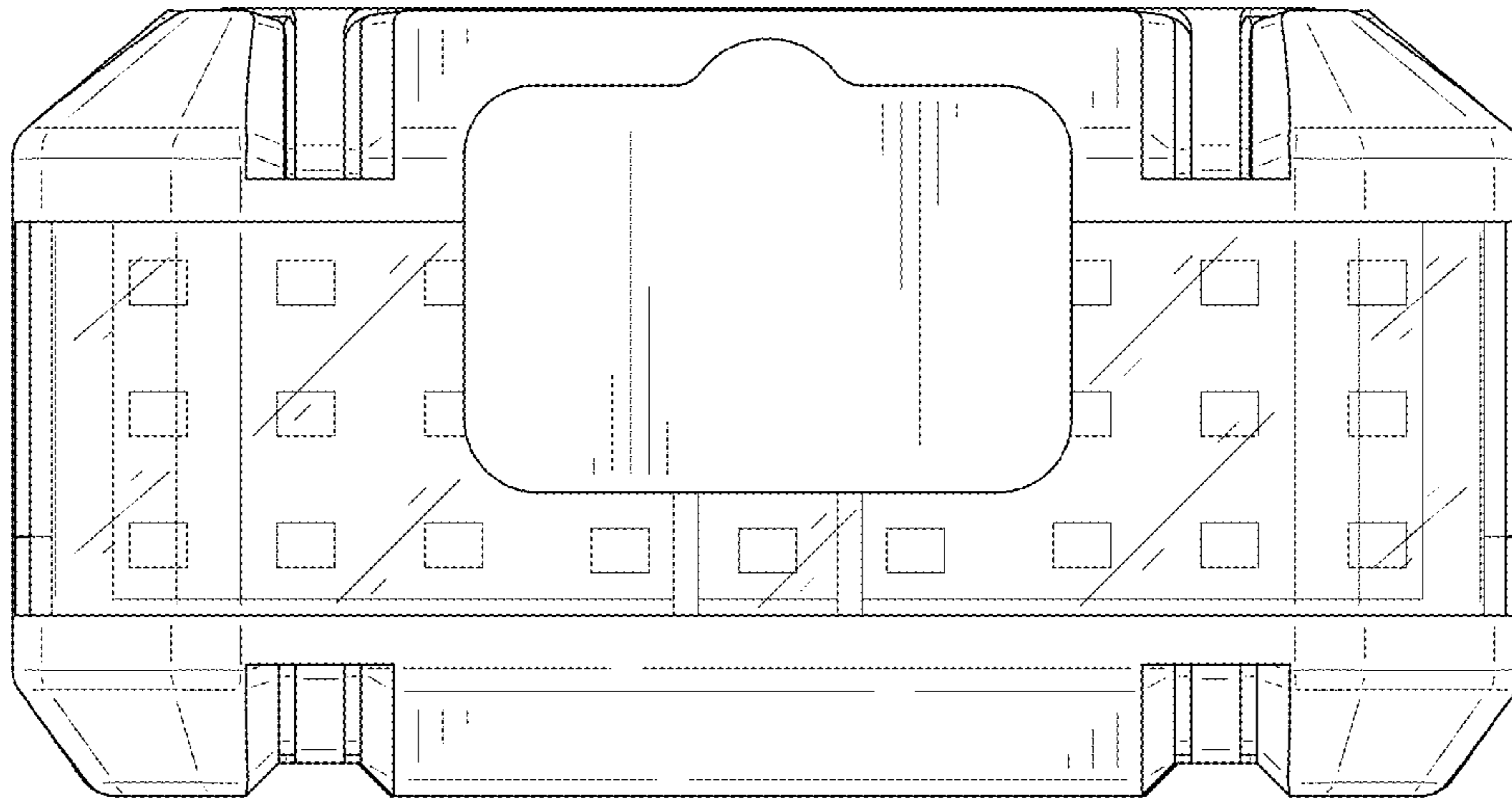


FIG. 8

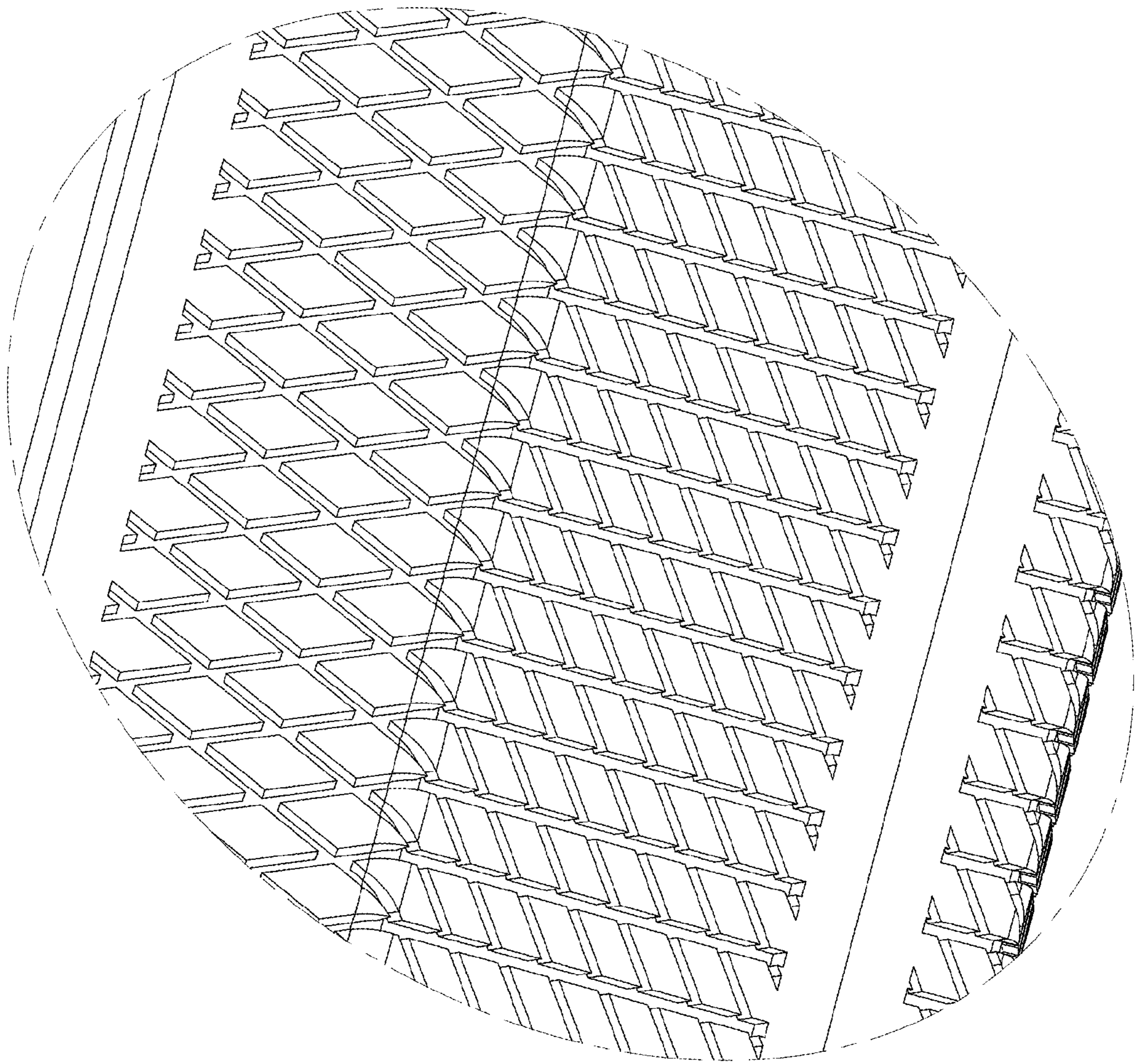


FIG. 9