



US00D934792S

(12) **United States Design Patent** (10) **Patent No.:** **US D934,792 S**
Erni (45) **Date of Patent:** **** Nov. 2, 2021**

(54) **ELECTRIC VEHICLE CHARGING STATION**

(71) Applicant: **Juice Technology AG**, Cham (CH)

(72) Inventor: **Christoph Erni**, Winkel (CH)

(73) Assignee: **JUICE TECHNOLOGY AG**, Cham (CH)

(**) Term: **15 Years**

(21) Appl. No.: **29/749,357**

(22) Filed: **Sep. 4, 2020**

(51) **LOC (13) Cl.** **13-02**

(52) **U.S. Cl.**
USPC **D13/107**

(58) **Field of Classification Search**
USPC D13/107-110, 118-119, 184; D14/251,
D14/253, 432, 434
CPC Y02E 60/12; Y02T 90/14; Y02T 90/122;
Y02T 90/128; Y02T 90/163; H02J 7/025;
H02J 7/0042; H02J 7/0044; H02J 7/0045;
H02J 7/0013; H02J 7/0003; H01F 38/14;
H01R 13/6675; H01M 2/1022; H01M
2/1055; H01M 10/44; H01M 10/46;
H01M 10/425; B60L 11/182
See application file for complete search history.

(56) **References Cited**

U.S. PATENT DOCUMENTS

5,461,299 A * 10/1995 Bruni B60L 1/003
320/108
D434,001 S * 11/2000 Sayger D13/139.5

D659,635 S * 5/2012 Hou D13/107
D674,335 S * 1/2013 Yamashita D13/107
D683,307 S * 5/2013 Lecoanet D13/107
D907,574 S * 1/2021 Yang D13/107
D908,614 S * 1/2021 Chaudhuri D13/107
D912,619 S * 3/2021 Visser-de Lange D13/107
D914,593 S * 3/2021 Frerichs D13/110
2011/0174875 A1 * 7/2011 Wurzer B60L 53/14
235/380
2013/0207606 A1 * 8/2013 Ranga B60L 53/31
320/109
2016/0121747 A1 * 5/2016 Jefferies B60L 53/31
320/109
2018/0086218 A1 * 3/2018 Murase B60L 53/14

* cited by examiner

Primary Examiner — Nathaniel D. Buckner

(74) *Attorney, Agent, or Firm* — Tarter Krinsky & Drogin LLP

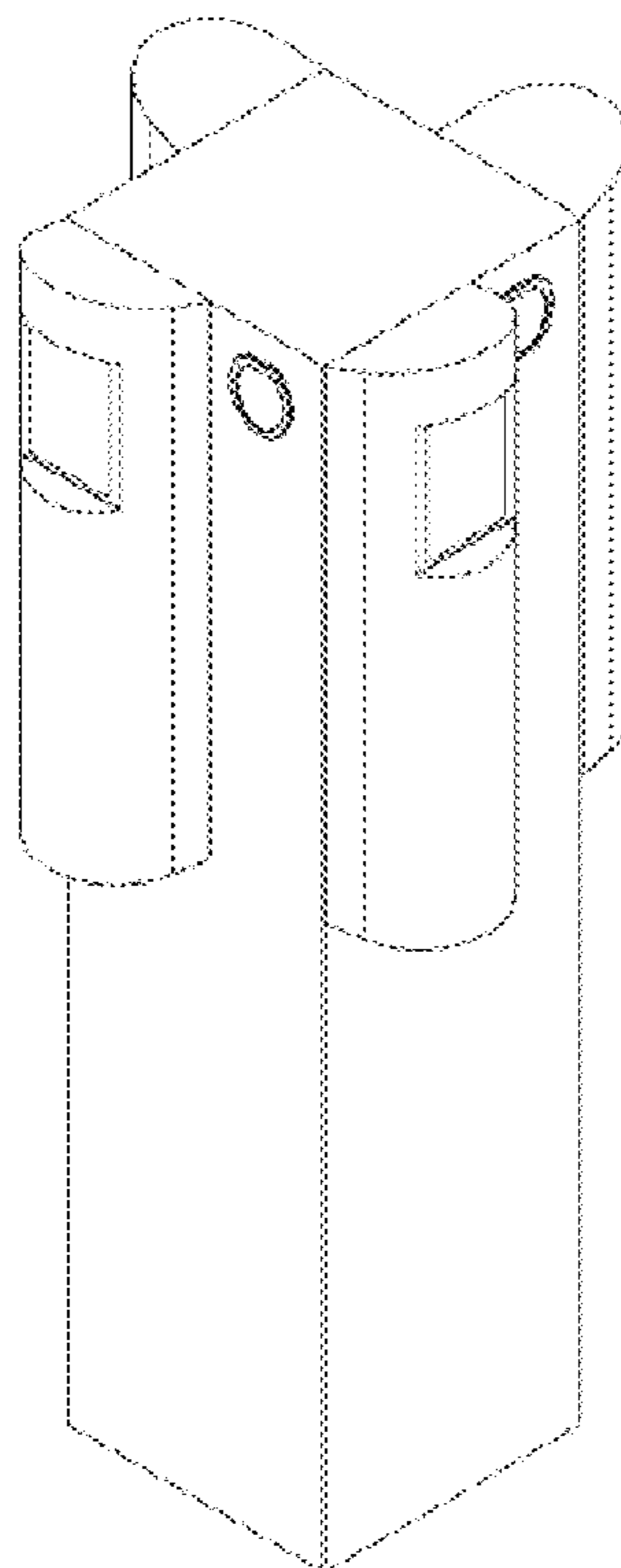
(57) **CLAIM**

The ornamental design for an electric vehicle charging station, as shown and described.

DESCRIPTION

FIG. 1 is a front elevation view of an electric vehicle charging station, showing the new design; FIG. 2 is a back elevation view thereof; FIG. 3 is a front perspective view thereof; FIG. 4 is a top perspective view thereof; and, FIG. 5 is a top plan view thereof.

1 Claim, 5 Drawing Sheets



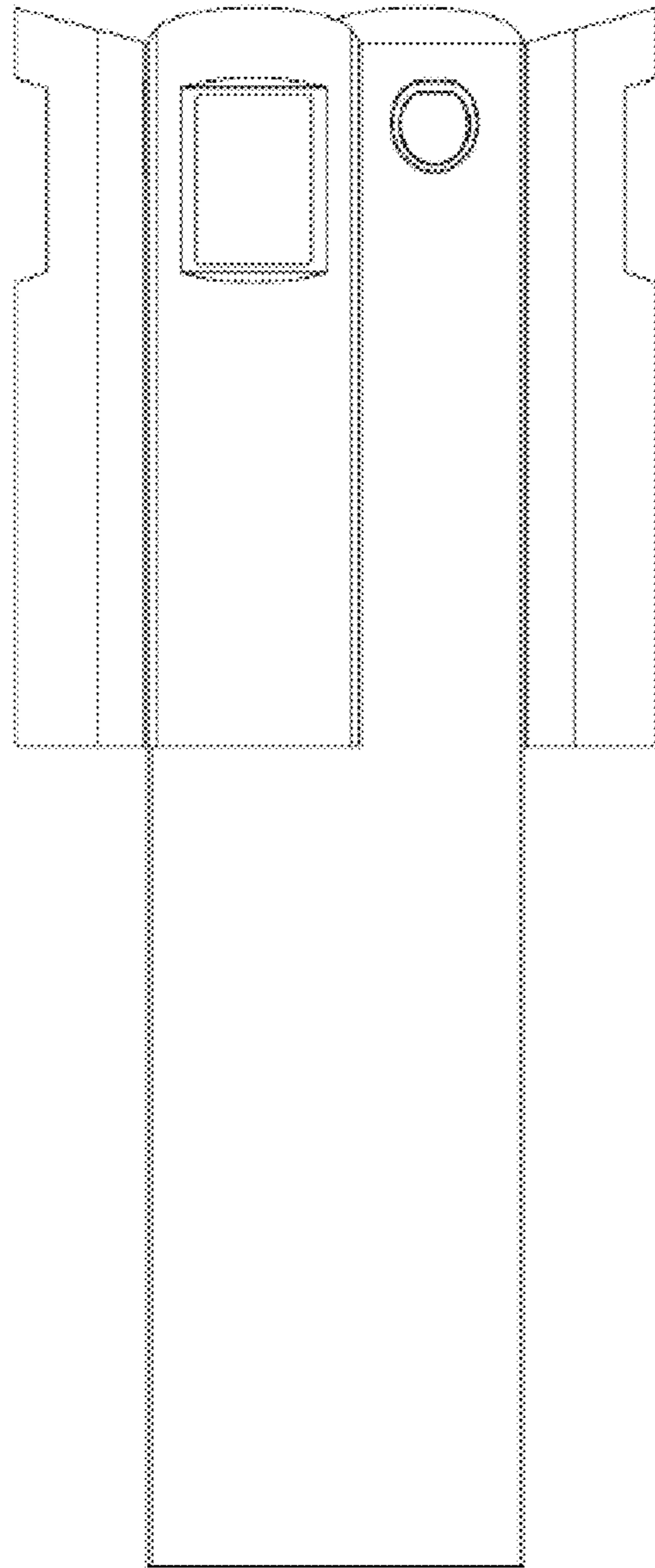


FIG. 1

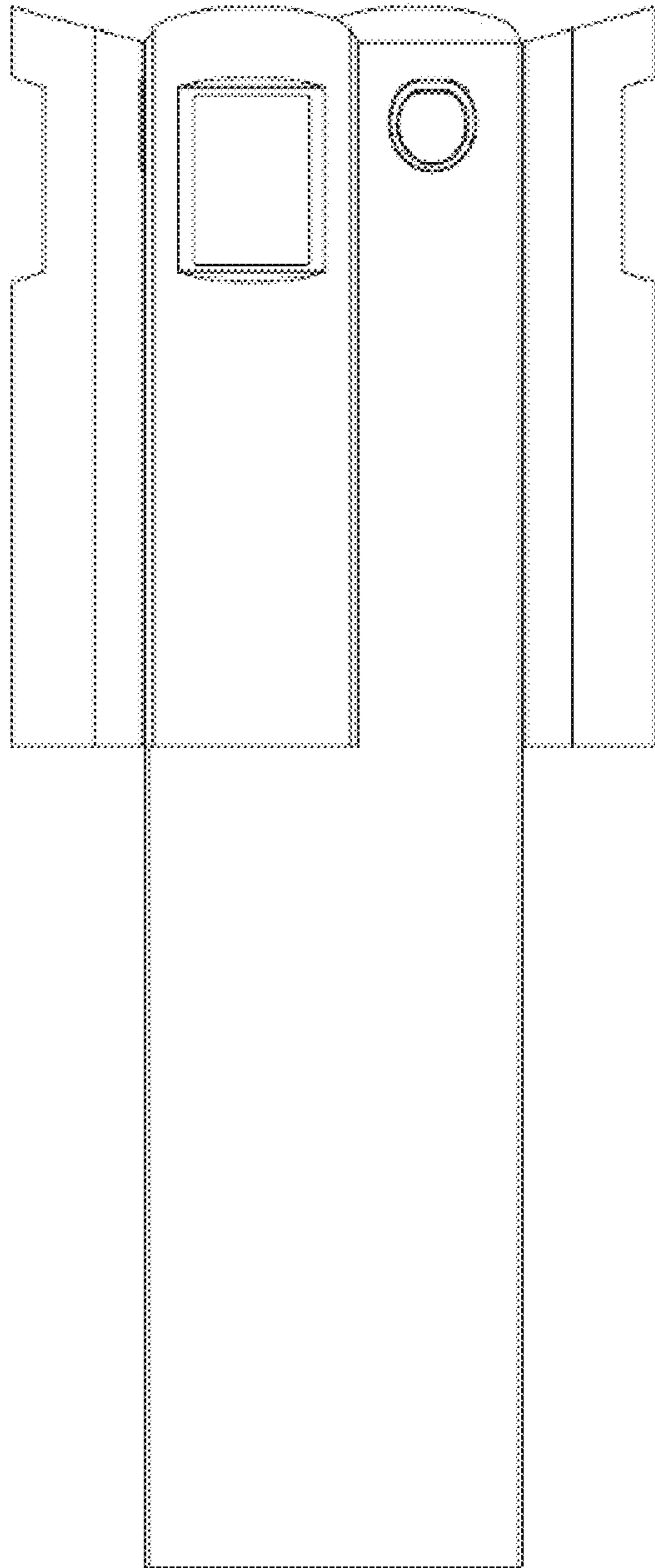


FIG. 2

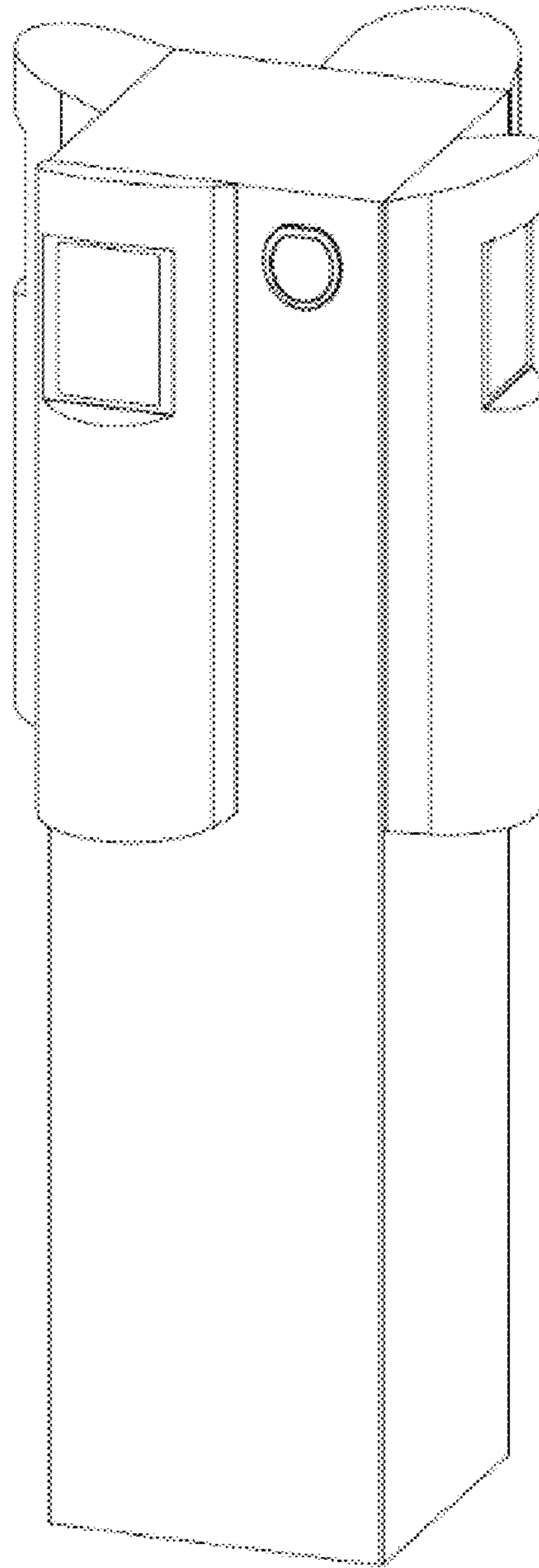


FIG. 3

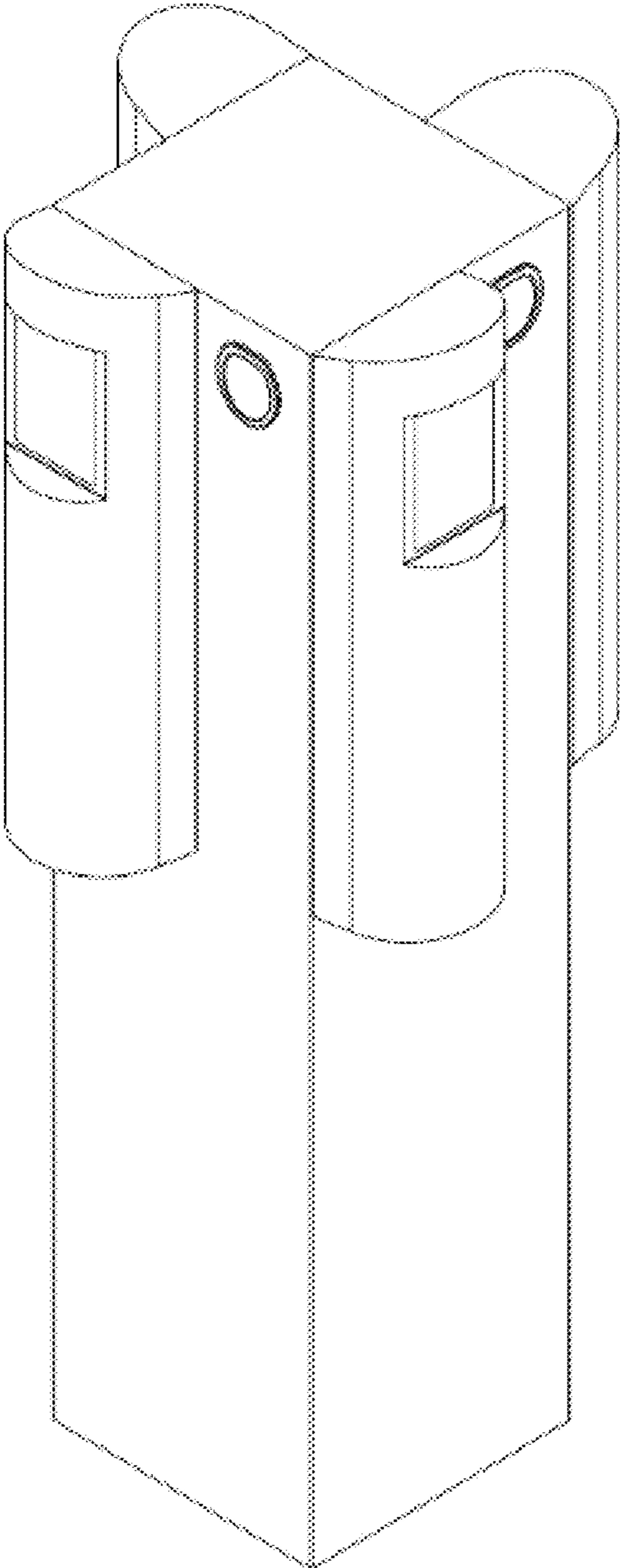


FIG. 4

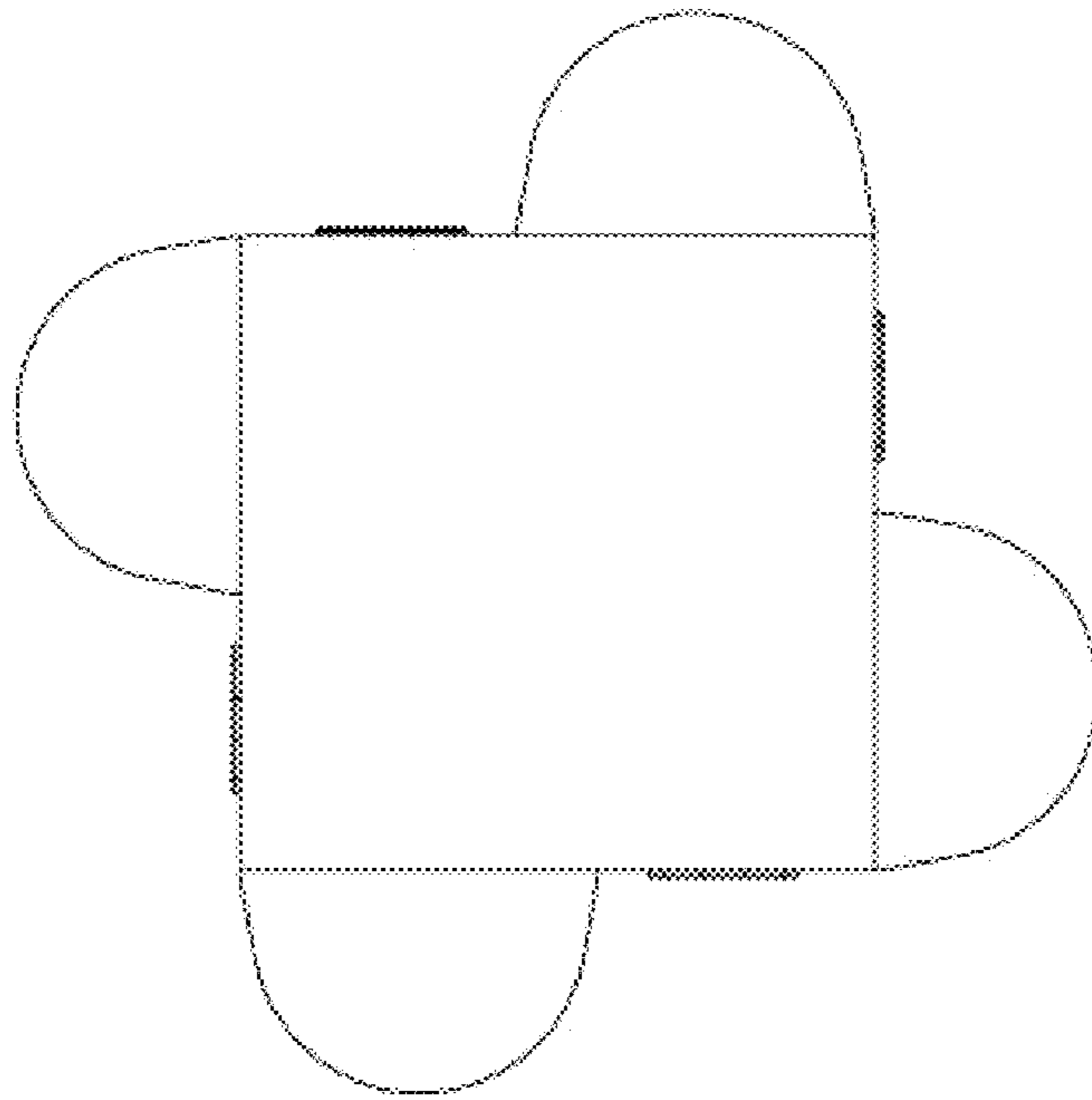


FIG. 5