



US00D934783S

(12) **United States Design Patent**  
**Kuwano**

(10) **Patent No.:** **US D934,783 S**  
(45) **Date of Patent:** **\*\* Nov. 2, 2021**

(54) **TIRE**

FOREIGN PATENT DOCUMENTS

(71) Applicant: **Toyo Tire Corporation**, Itami (JP)

JP 1526556 S 6/2015

(72) Inventor: **Shingo Kuwano**, Itami (JP)

\* cited by examiner

(73) Assignee: **Toyo Tire Corporation**, Itami (JP)

*Primary Examiner* — George D. Kirschbaum  
(74) *Attorney, Agent, or Firm* — Sterne, Kessler,  
Goldstein & Fox P.L.L.C.

(\*\*) Term: **15 Years**

(21) Appl. No.: **29/697,215**

(57) **CLAIM**

The ornamental design for a tire, as shown and described.

(22) Filed: **Jul. 5, 2019**

**DESCRIPTION**

(30) **Foreign Application Priority Data**

May 9, 2019 (JP) ..... 2019-010043

(51) **LOC (13) Cl.** ..... **12-15**

(52) **U.S. Cl.**  
USPC ..... **D12/550**

(58) **Field of Classification Search**  
USPC ..... D12/550, 545, 551, 553-555, 564, 558  
CPC ..... B60C 11/1204  
See application file for complete search history.

FIG. 1 is a front perspective view of a tire showing the claimed design;

FIG. 2 is a front view thereof;

FIG. 3 is a rear view thereof;

FIG. 4 is a top plan view thereof, the bottom plan view being the same;

FIG. 5 is a right side view thereof;

FIG. 6 is a left side view thereof;

FIG. 7 is an enlarged view taken along line 7-7 in FIG. 1;

FIG. 8 is an enlarged view of the portion 8-8 in FIG. 2; and,

FIG. 9 is a cross-sectional view taken along line 9-9 in FIG. 8.

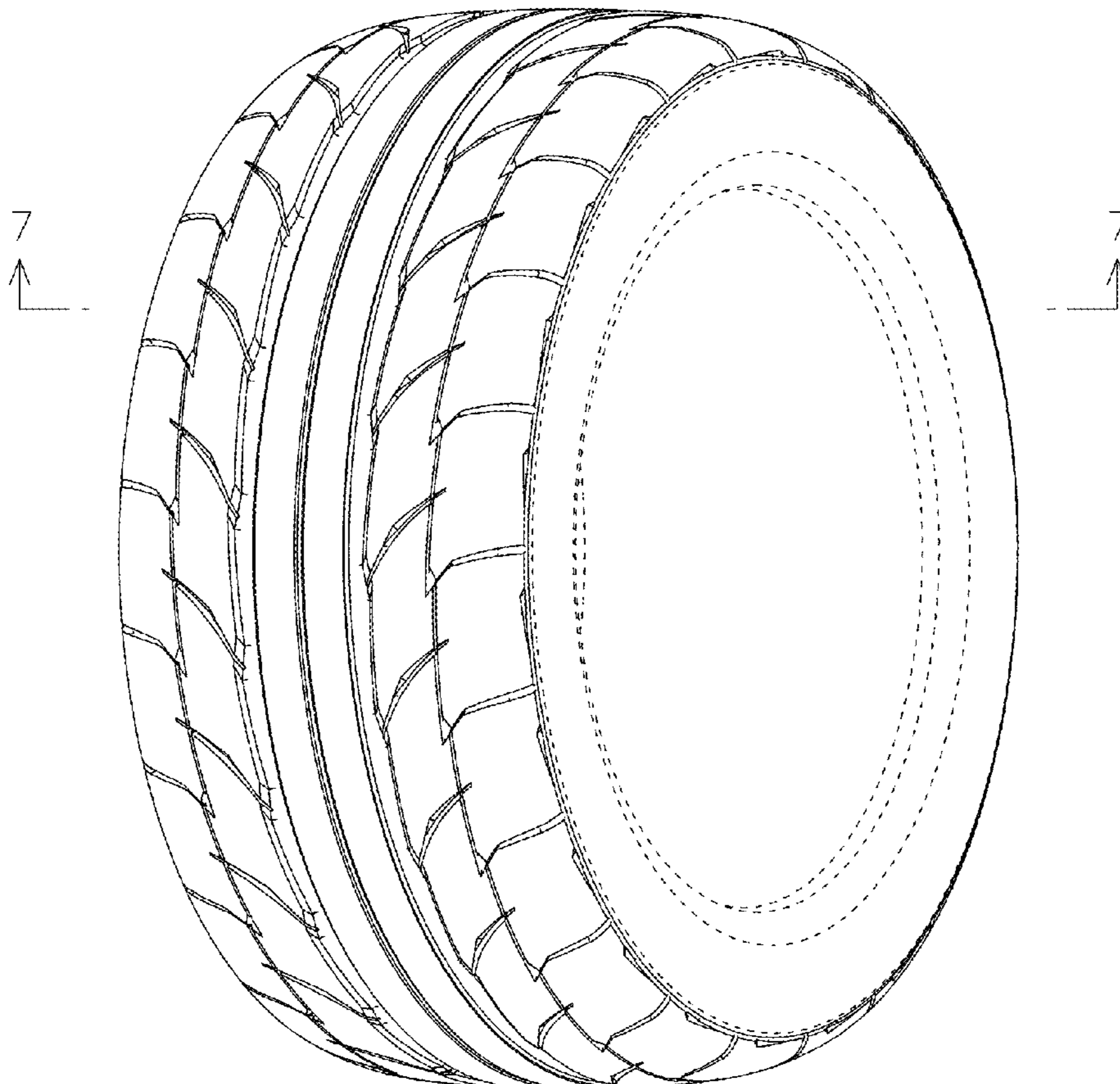
(56) **References Cited**

In the drawings, the broken lines show portions of the tire that form no part of the claimed design. The outermost broken lines of the sidewall form the boundary of the claim and form no part thereof.

U.S. PATENT DOCUMENTS

D370,440 S \* 6/1996 Kuwazima ..... D12/550  
D696,183 S \* 12/2013 Yasunaga ..... D12/550  
D762,554 S \* 8/2016 Yasunaga ..... D12/559

**1 Claim, 9 Drawing Sheets**



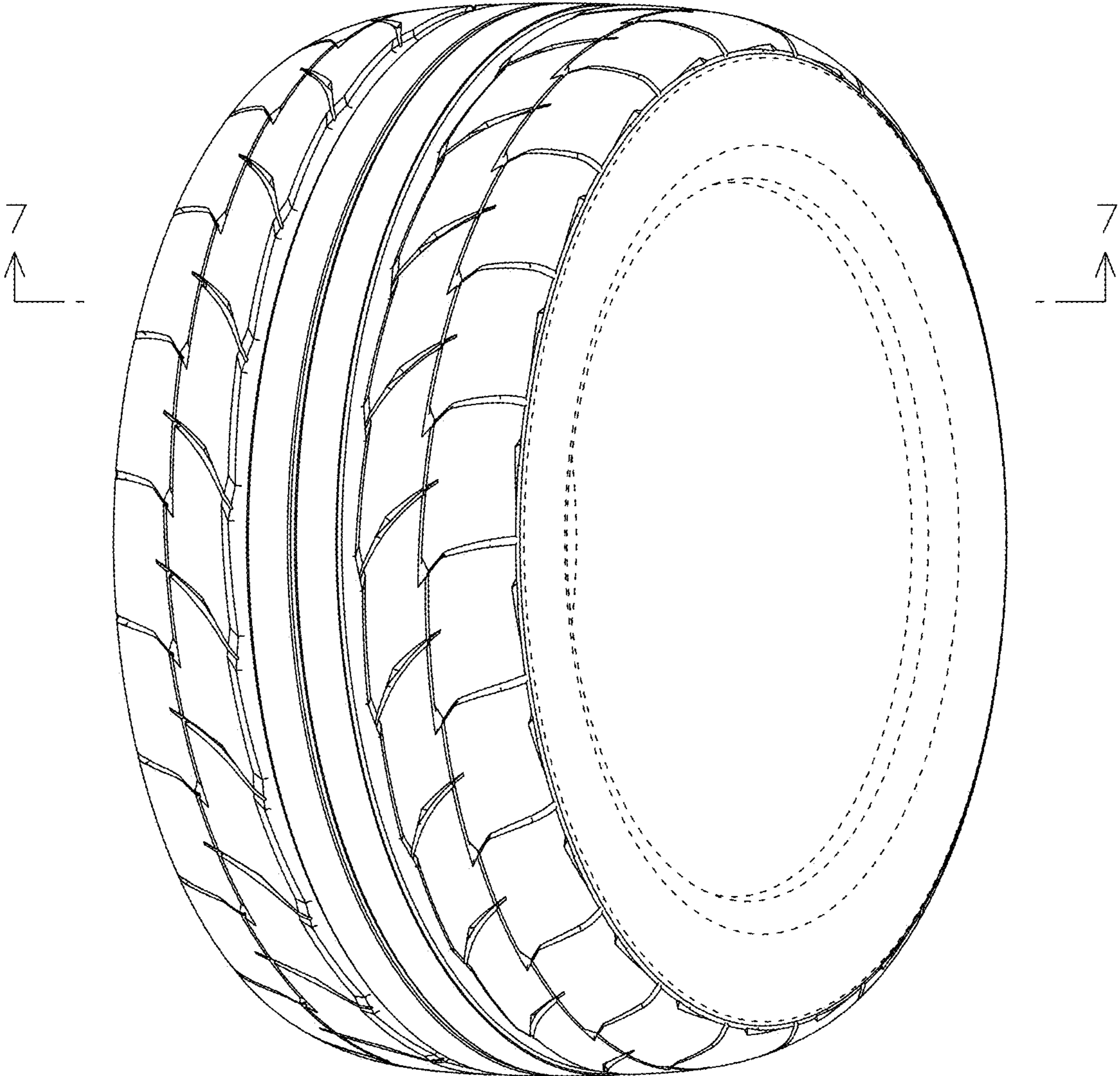


FIG. 1

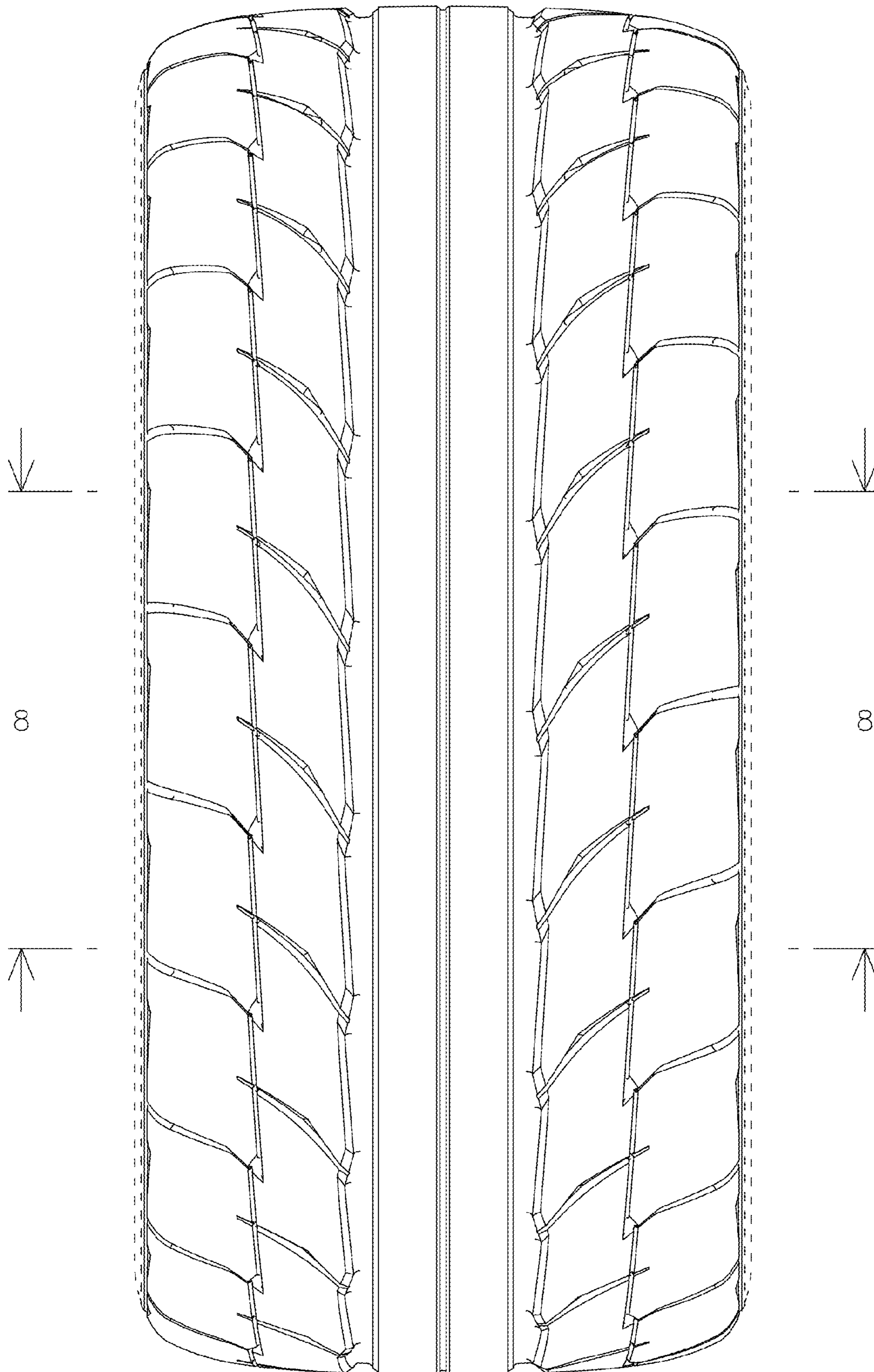


FIG. 2

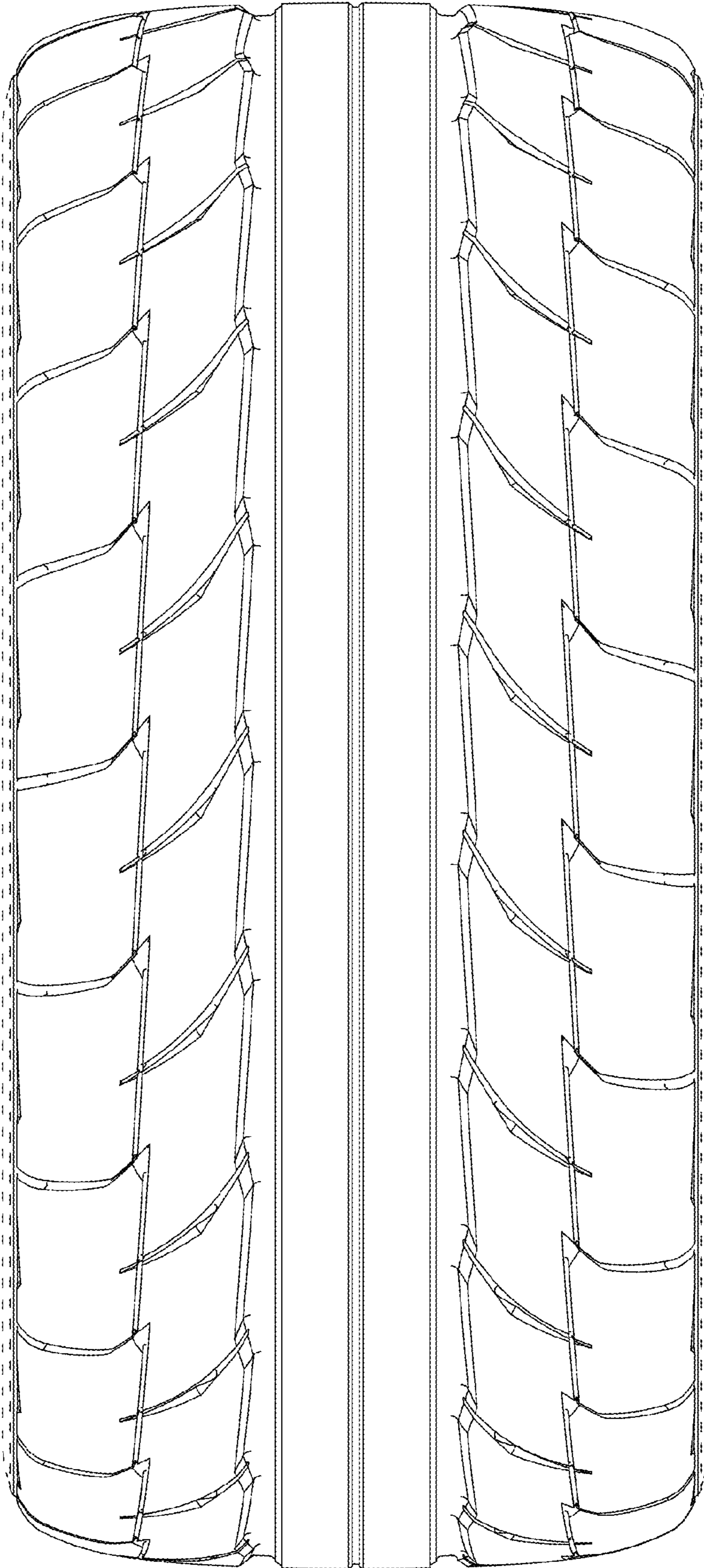


FIG. 3

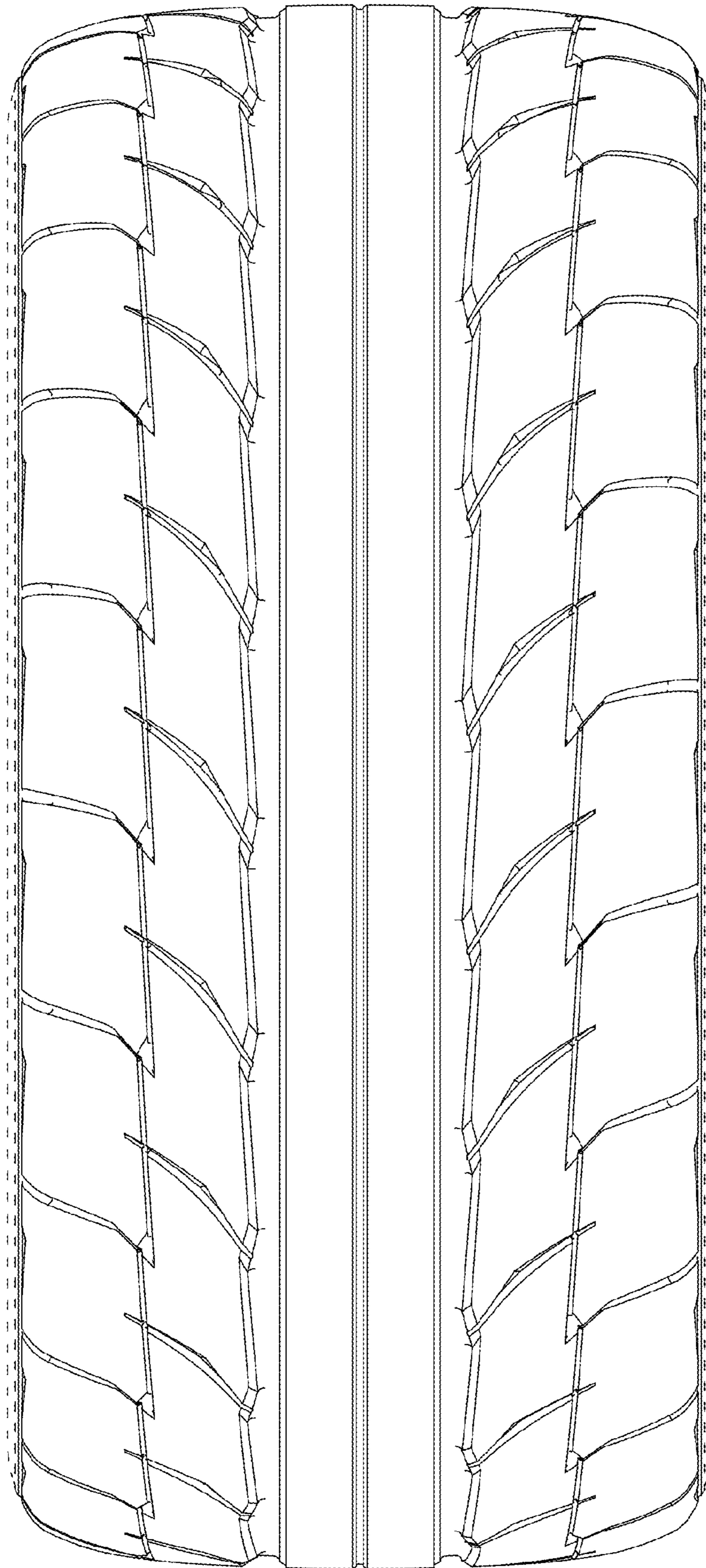


FIG. 4

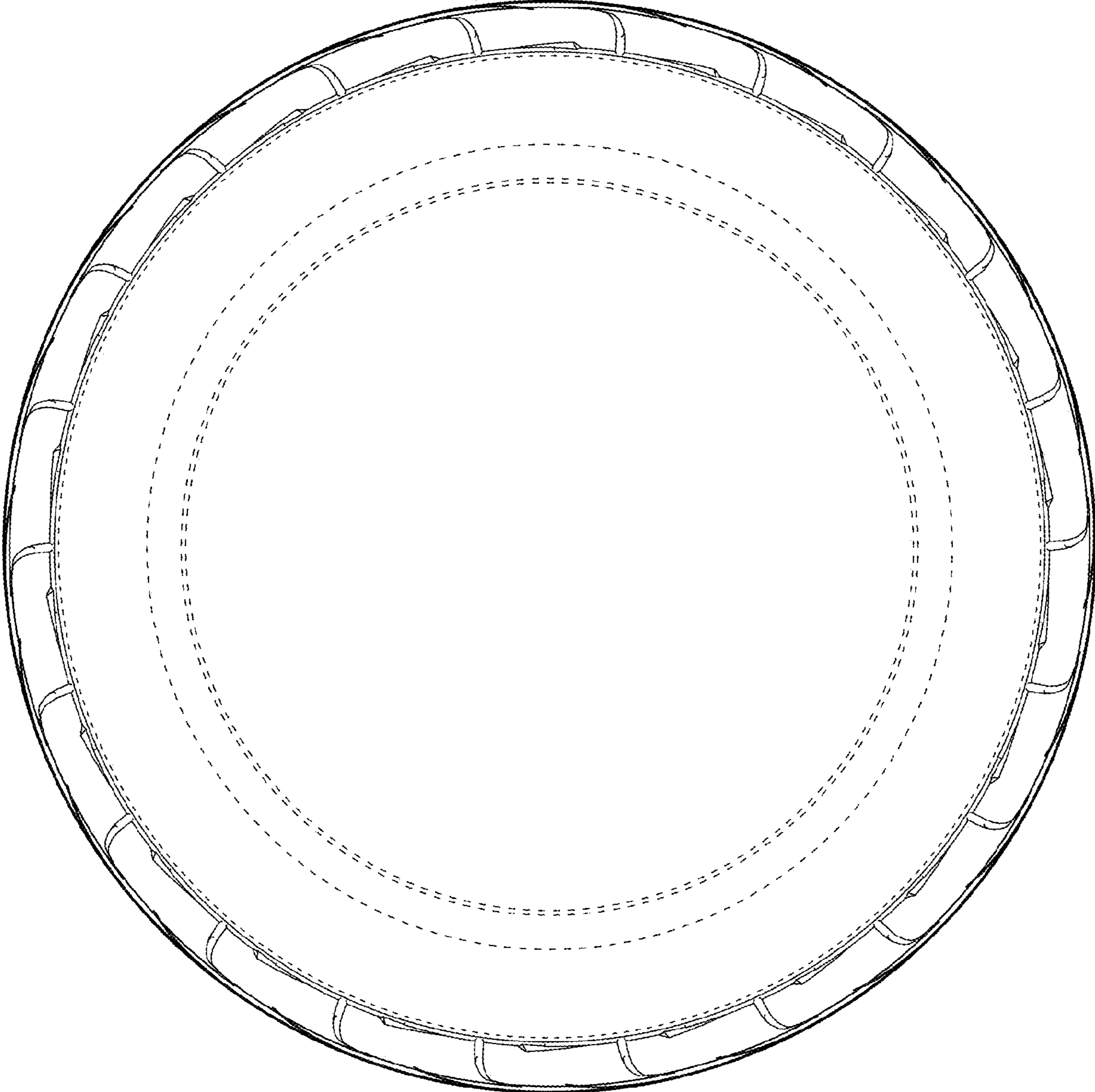


FIG. 5

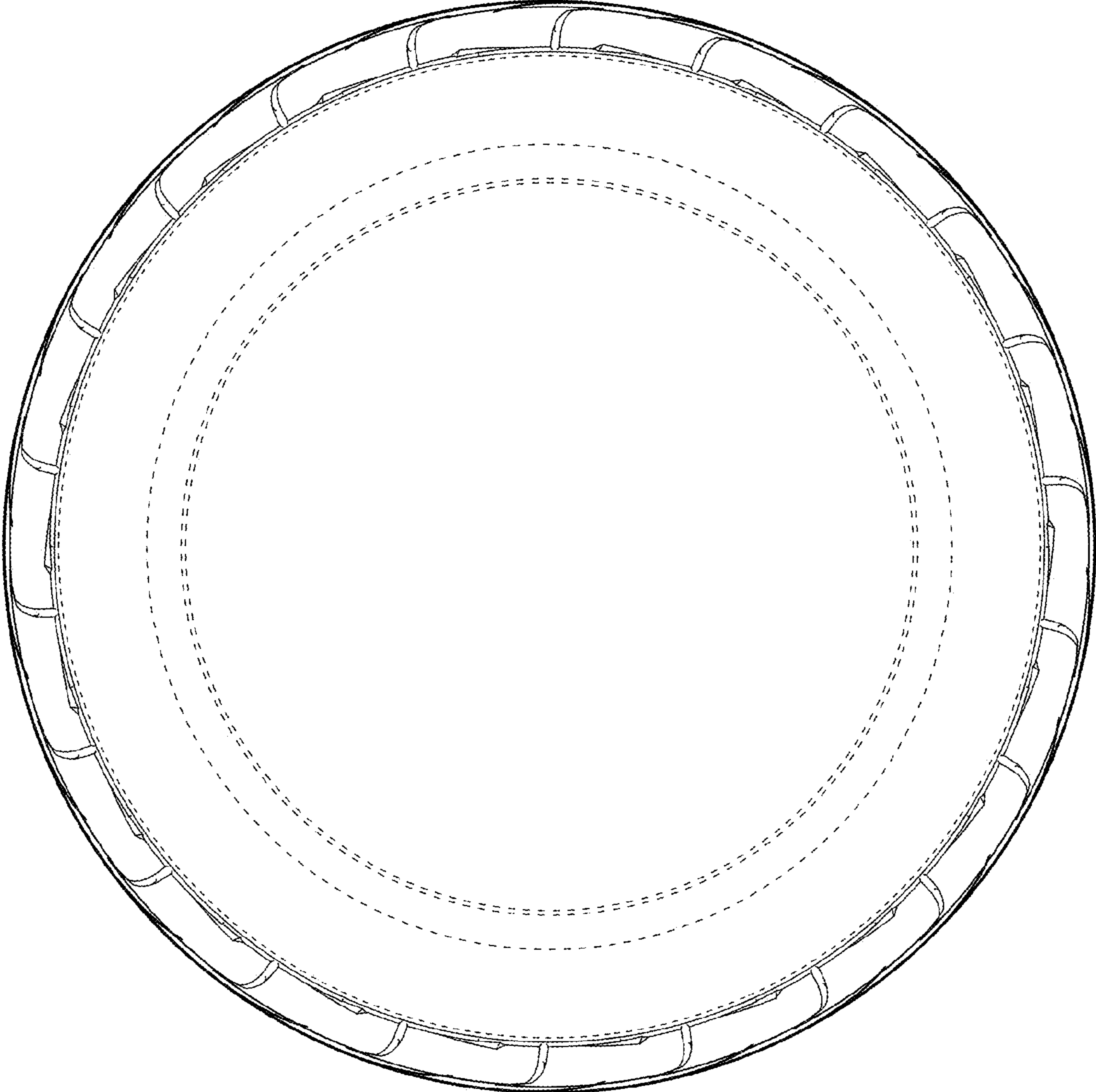


FIG. 6

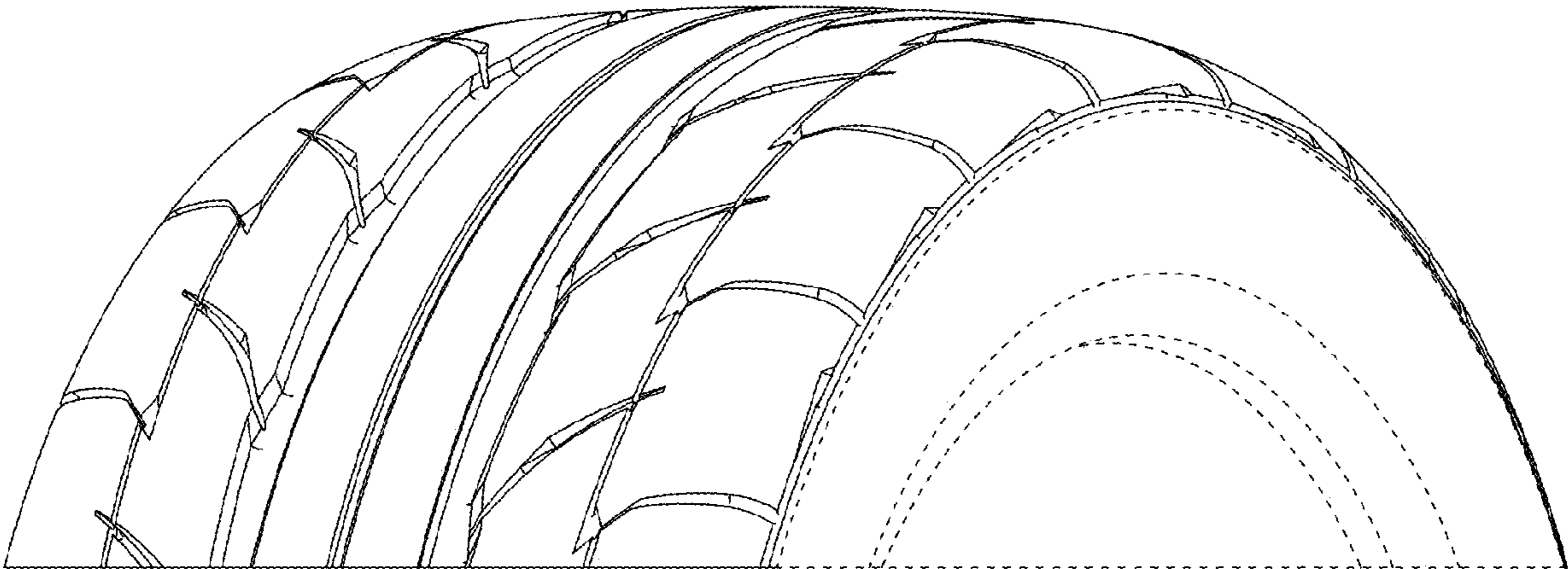


FIG. 7



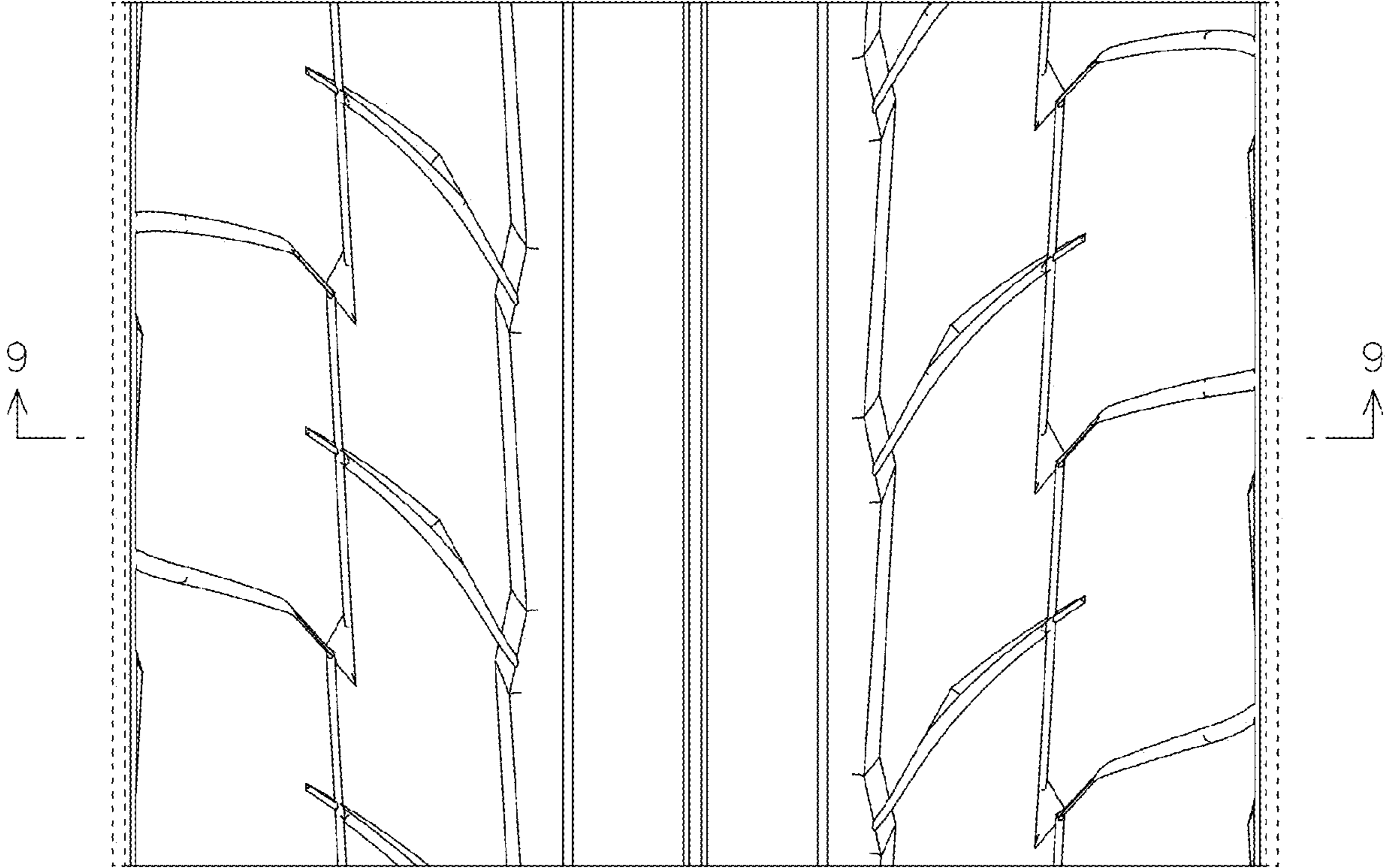


FIG. 8

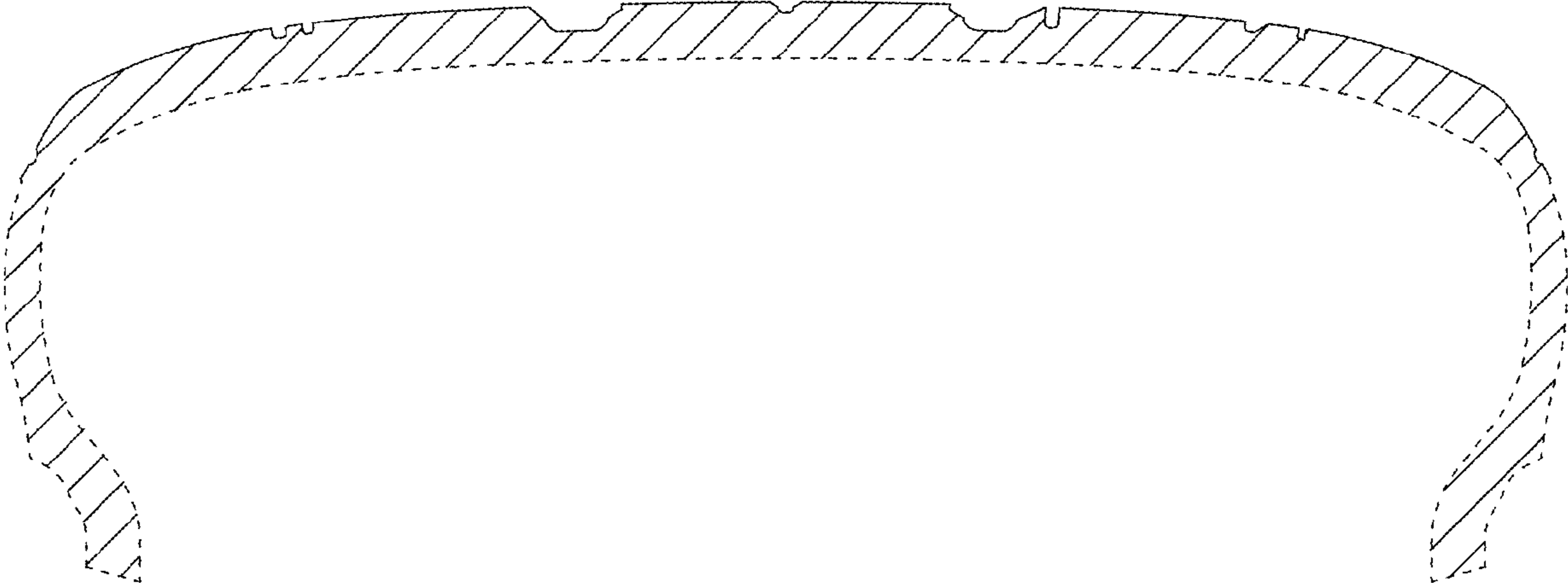


FIG. 9