



US00D934782S

(12) **United States Design Patent**
Lin et al.

(10) **Patent No.:** **US D934,782 S**
(45) **Date of Patent:** **** Nov. 2, 2021**

(54) **PASSENGER SEATING APPARATUS**

- (71) Applicant: **Rockwell Collins, Inc.**, Cedar Rapids, IA (US)
- (72) Inventors: **Jaan Lin**, Winston-Salem, NC (US);
Dan Udriste, Winston-Salem, NC (US);
Stephen A. Puglisi, Greensboro, NC (US);
Ryan J. Suhre, Winston-Salem, NC (US)
- (73) Assignee: **Rockwell Collins, Inc.**, Cedar Rapids, IA (US)
- (**) Term: **15 Years**
- (21) Appl. No.: **29/775,204**
- (22) Filed: **Mar. 22, 2021**

Related U.S. Application Data

- (62) Division of application No. 29/643,336, filed on Apr. 6, 2018, now Pat. No. Des. 916,000.
- (51) **LOC (13) Cl.** **12-16**
- (52) **U.S. Cl.**
USPC **D12/416; D12/345**
- (58) **Field of Classification Search**
USPC D12/52, 345, 416, 423, 44, 42, 319,
D12/414.1, 415, 421, 424, 426, 426.1,
D12/419; D6/332-338, 344, 348, 356,
D6/360-368, 369-371, 374, 377, 380,
D6/381, 708, 716, 500-502, 511, 492;
224/29.5, 405; 296/416.16, 24.34;
244/118.1, 118.5, 118.6, 119, 122 AH;
297/170, 172, 174, 232, 452.14, 452.34;
D11/184; D21/521, 534-539, 674, 676,

(Continued)

(56) **References Cited**

U.S. PATENT DOCUMENTS

- D273,157 S 3/1984 Staub
 - 5,564,144 A 10/1996 Weingartner et al.
- (Continued)

OTHER PUBLICATIONS

B/E Aerospace Shows Off Seats, Lighting and Nespresso, Apex Aero, Apr. 5, 2016 in Comfort Written by Kristina Velan, [online], [site visited May 1, 2020]. (Year 2016).

(Continued)

Primary Examiner — T Chase Nelson
Assistant Examiner — Jonathan J Han
(74) *Attorney, Agent, or Firm* — Suiter Swantz pc llo

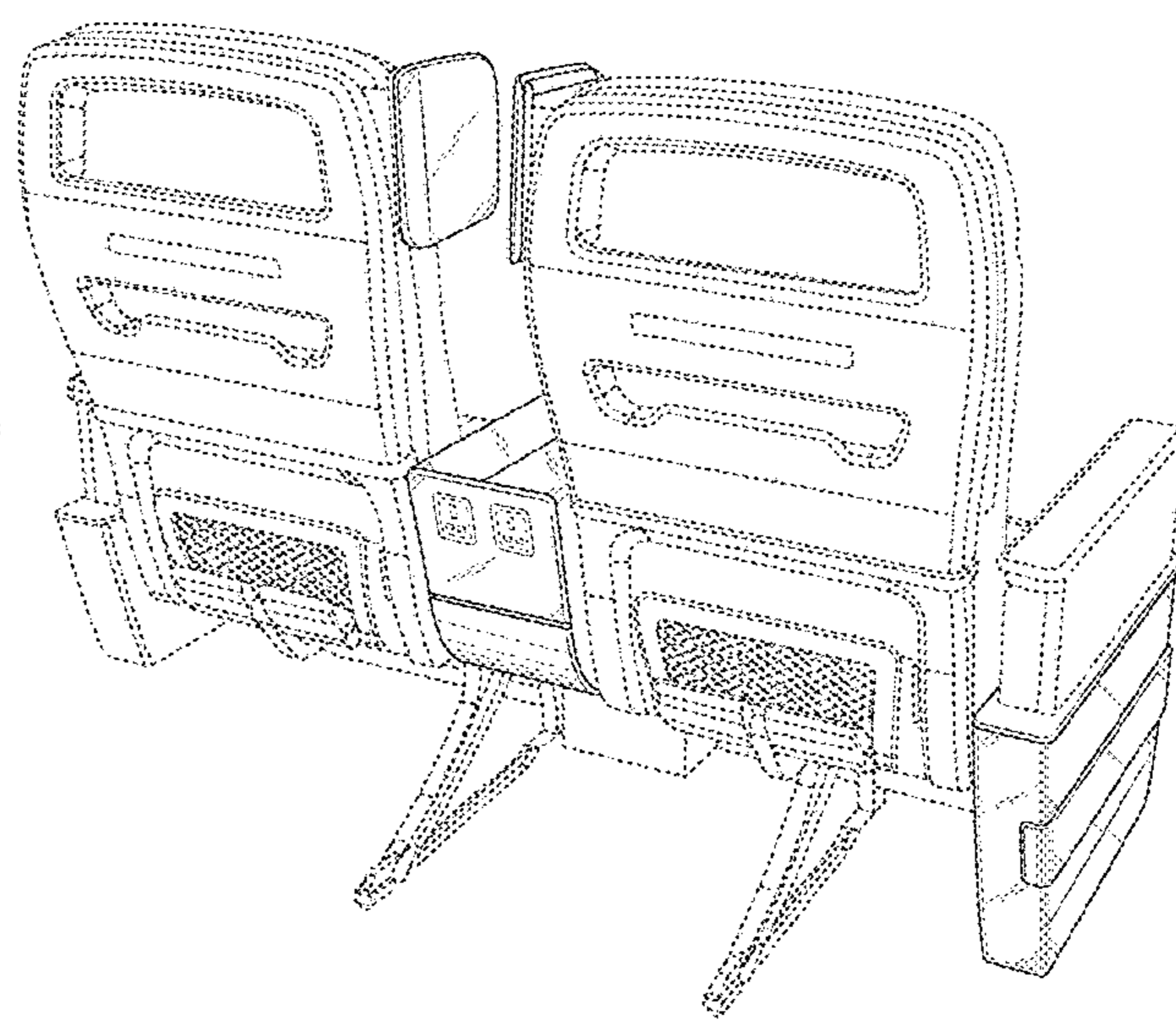
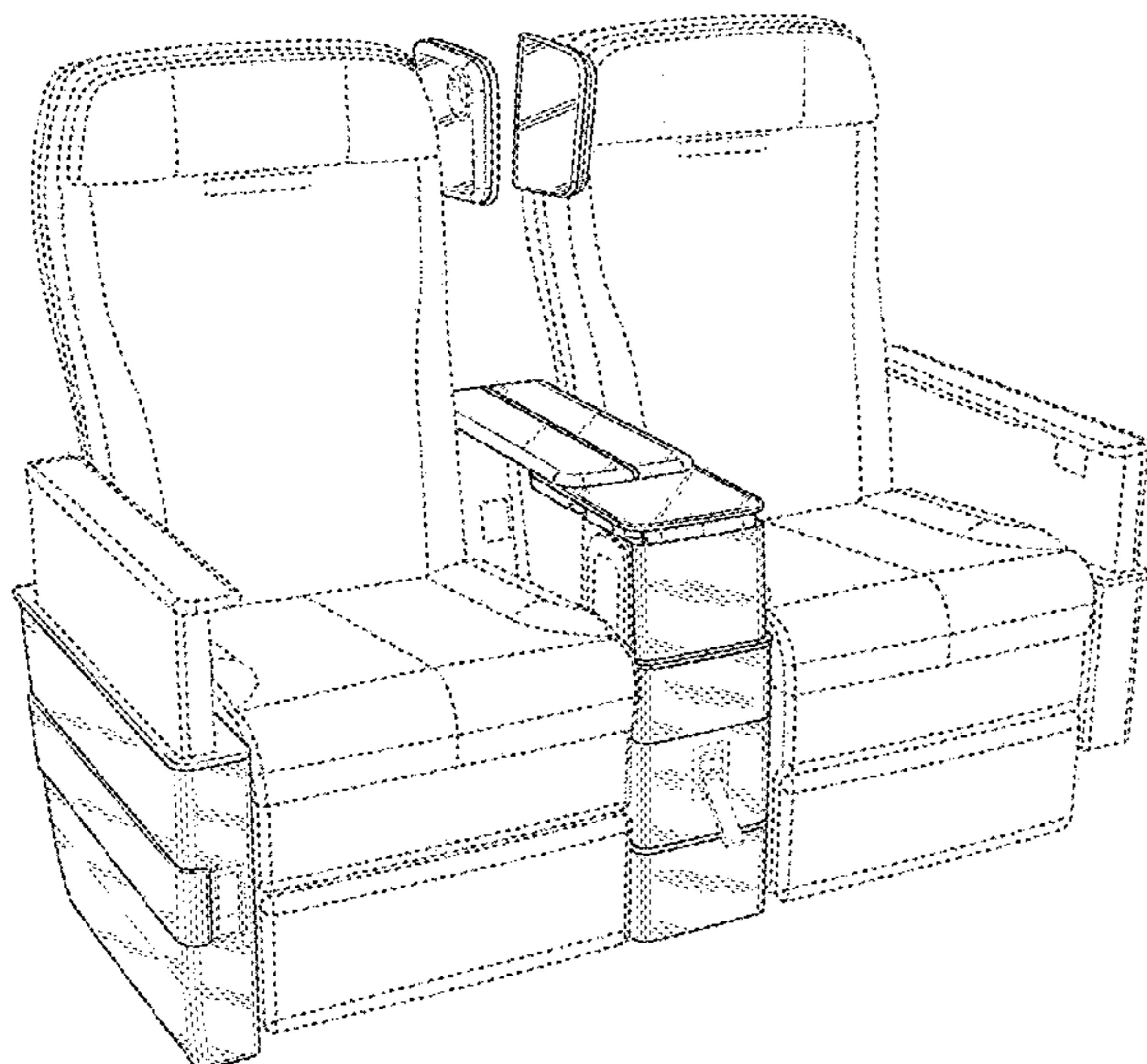
(57) **CLAIM**

The ornamental design for a passenger seating apparatus, as shown and described.

DESCRIPTION

FIG. 1 is a front perspective view of a passenger seating apparatus;
FIG. 2 is a front elevation view of the passenger seating apparatus of FIG. 1;
FIG. 3 is a top plan view of the passenger seating apparatus of FIG. 1;
FIG. 4 is a bottom plan view of the passenger seating apparatus of FIG. 1;
FIG. 5 is a right side elevation view of the passenger seating apparatus of FIG. 1;
FIG. 6 is a left side elevation view of the passenger seating apparatus of FIG. 1;
FIG. 7 is a rear elevation view of the passenger seating apparatus of FIG. 1; and,
FIG. 8 is a rear perspective view of the passenger seating apparatus of FIG. 1.
Portions of FIGS. 1 through 8 are shown in broken lines illustrating portions of the article of manufacture that form no part of the claimed design.

1 Claim, 8 Drawing Sheets



(58) **Field of Classification Search**

USPC D21/687, 688, 690, 828; D23/292;
D30/118
CPC ... B64D 11/06; B64D 11/064; B64D 11/0602;
B64D 11/0606; B64D 11/0643; B64D
11/0647; B60N 2/01583; B60N 2/4221;
B60N 2/4606; B60N 2/7011; A47C
1/036; A47C 1/037; A47C 1/02; A47C
1/14; A47C 1/16; A47C 1/143; A47C
1/146; A47C 1/0342; A47C 7/26; A47C
7/506; A47C 7/021; A47C 7/16; A47C
7/18; A47C 7/54; A47C 7/62; A47C 7/70;
A47C 7/744; Y10T 29/49826

See application file for complete search history.

(56)

References Cited

U.S. PATENT DOCUMENTS

D409,010 S 5/1999 Papaioannou et al.
D439,425 S * 3/2001 Park D6/356
D443,990 S 6/2001 Beroth
6,347,590 B1 2/2002 D'Annunzio et al.
D493,294 S 7/2004 Newson
D521,281 S 5/2006 Luebke
D526,144 S 8/2006 Luebke
D577,503 S 9/2008 Priestman
D590,161 S 4/2009 Scoley et al.
D591,067 S 4/2009 Suge et al.
D591,520 S * 5/2009 Orson D6/356
D592,412 S 5/2009 Suge et al.
D598,665 S 8/2009 Cloet et al.
7,568,759 B2 8/2009 Schřg
D605,419 S 12/2009 Suge et al.

D611,400 S 3/2010 Suge et al.
D613,527 S 4/2010 Suge et al.
D613,529 S 4/2010 Suge et al.
D686,423 S 7/2013 Salzberger et al.
D695,033 S 12/2013 Salzberger et al.
8,596,206 B2 12/2013 Legeay
D703,964 S 5/2014 Gagnon et al.
D748,405 S 2/2016 Sethapun et al.
D783,298 S 4/2017 Braca et al.
D800,464 S 10/2017 Larabie et al.
D842,218 S 3/2019 Hontz
D880,881 S 4/2020 Hansson et al.
D901,197 S * 11/2020 Katakura D6/356
D901,199 S * 11/2020 Katakura D6/356
D916,000 S * 4/2021 Lin D12/416
2004/0004382 A1 1/2004 Dowty
2004/0195875 A1 10/2004 Skelly
2014/0300147 A1 10/2014 Suhre et al.
2019/0061955 A1 2/2019 Wilson et al.
2019/0308731 A1 10/2019 Pozzi et al.
2019/0359334 A1 11/2019 Riedel et al.
2021/0053686 A1 * 2/2021 Puglisi B64D 11/0644

OTHER PUBLICATIONS

Hainan Launches Premium Economy Class, AirlineRatings.com,
By Steve Creedy, Apr. 8, 2019, [online], [site visited May 1, 2020].
(Year: 2019).
MiQ Business Class & Premium Economy Seating, CollinsAerospace.com,
[online], [site visited May 1, 2020]. (Year 2020).
New Territory Develops New Customizable Business Class Expe-
rience for Rockwell and Aeromexico, Dexigner.com, Apr. 22, 2018
2:01 pm EDT, [online], [site visited May 1, 2020]. (Year: 2018).

* cited by examiner

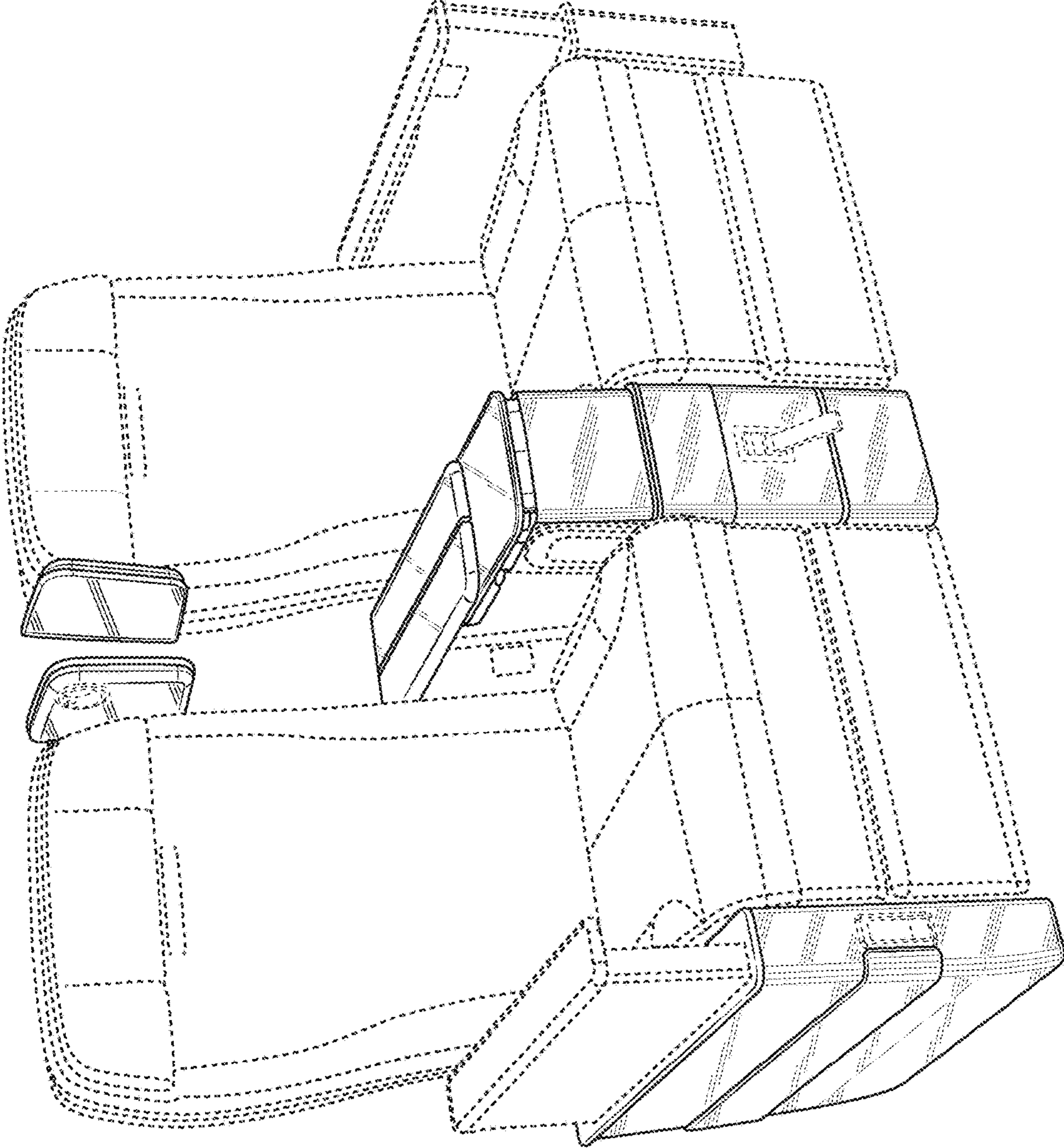


FIG.1

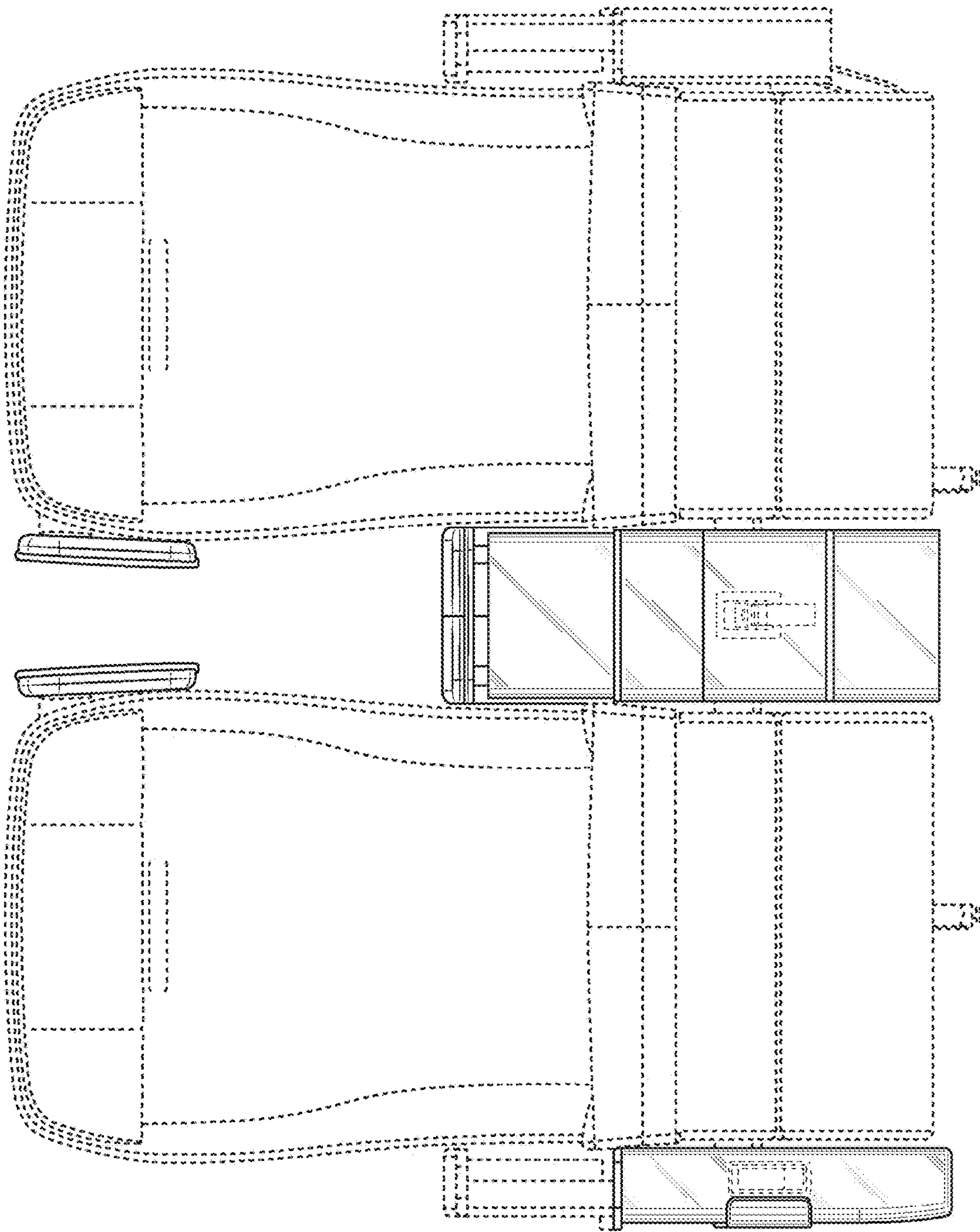


FIG. 2

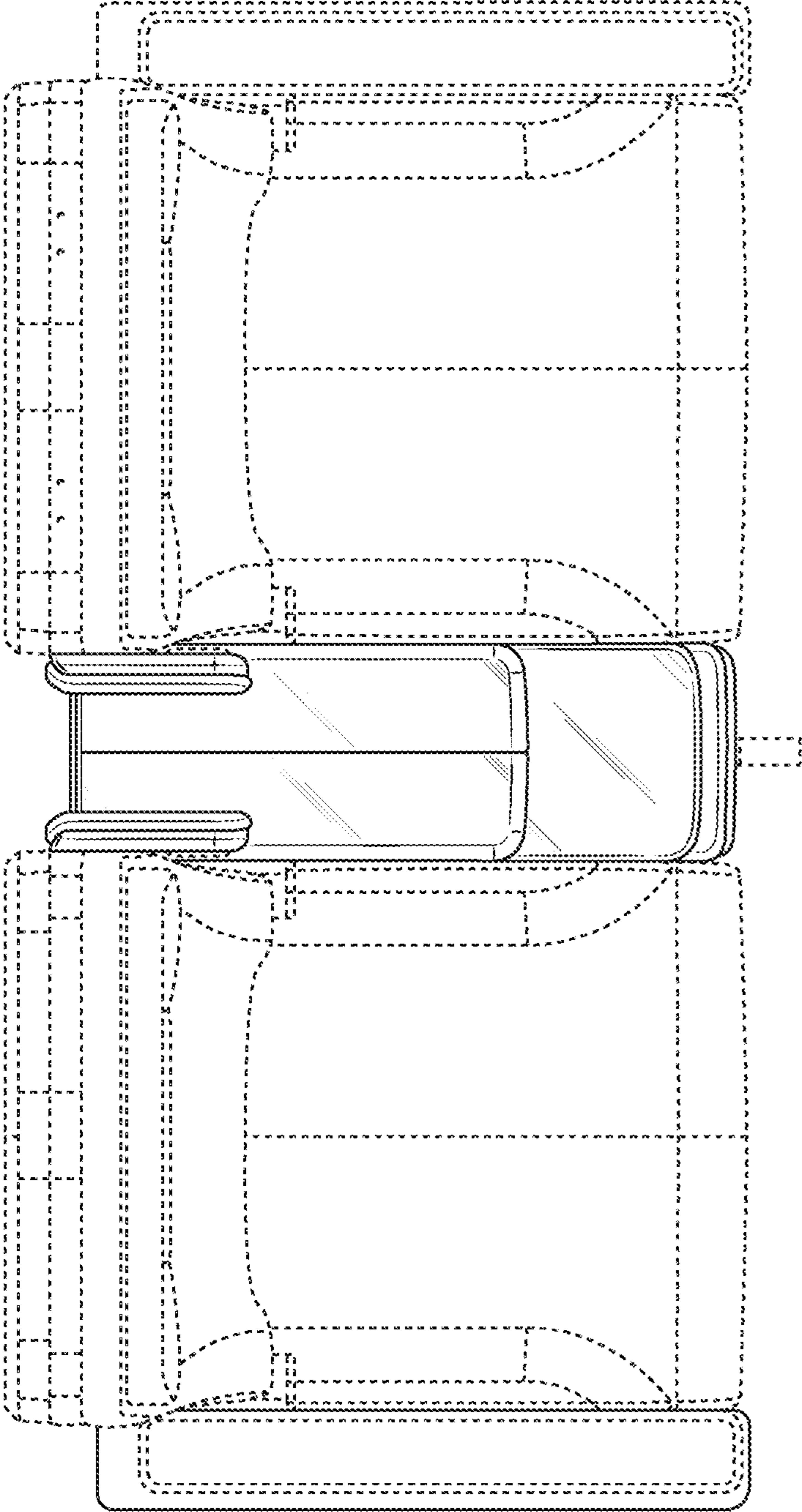


FIG. 3

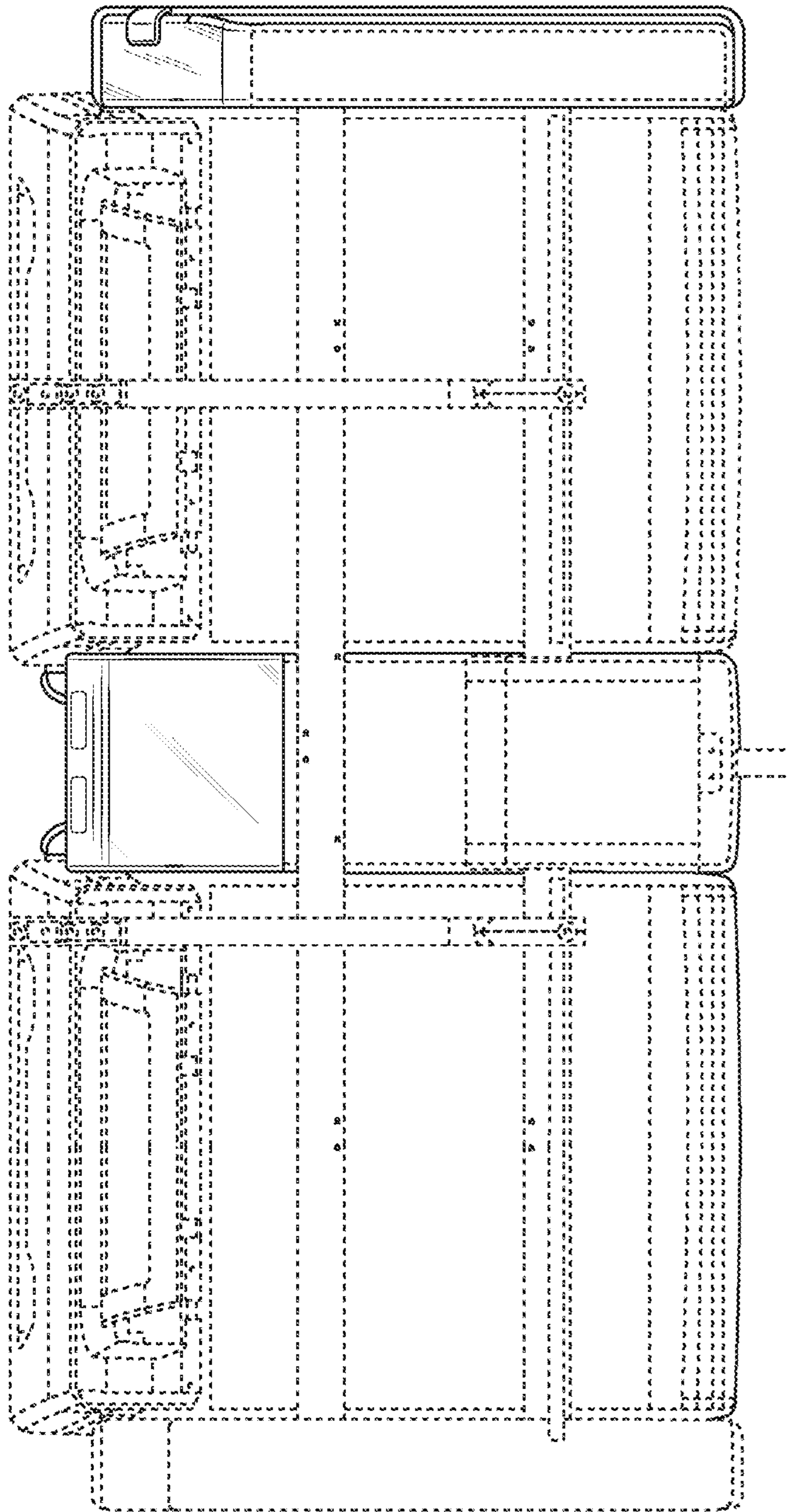


FIG. 4

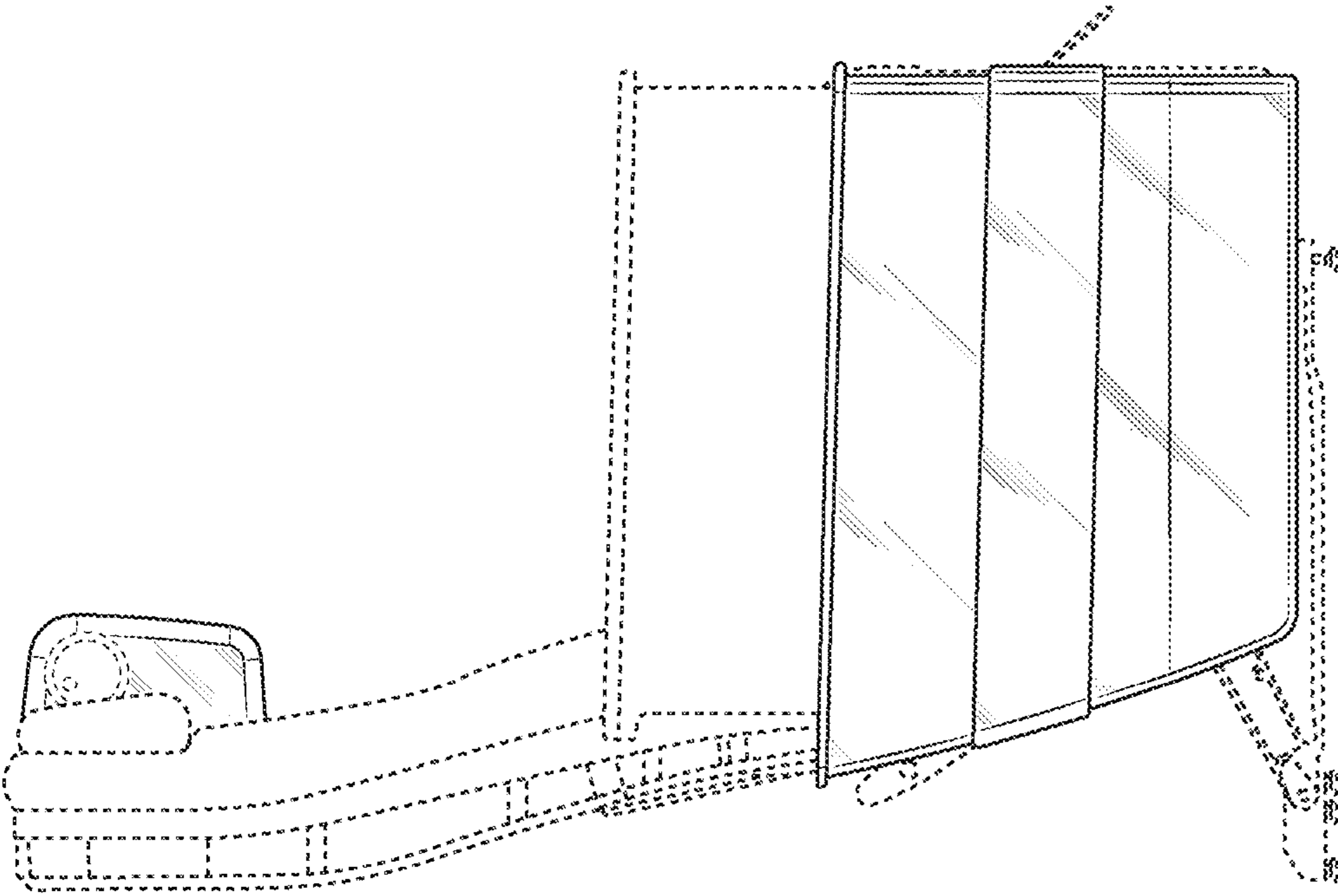


FIG. 5

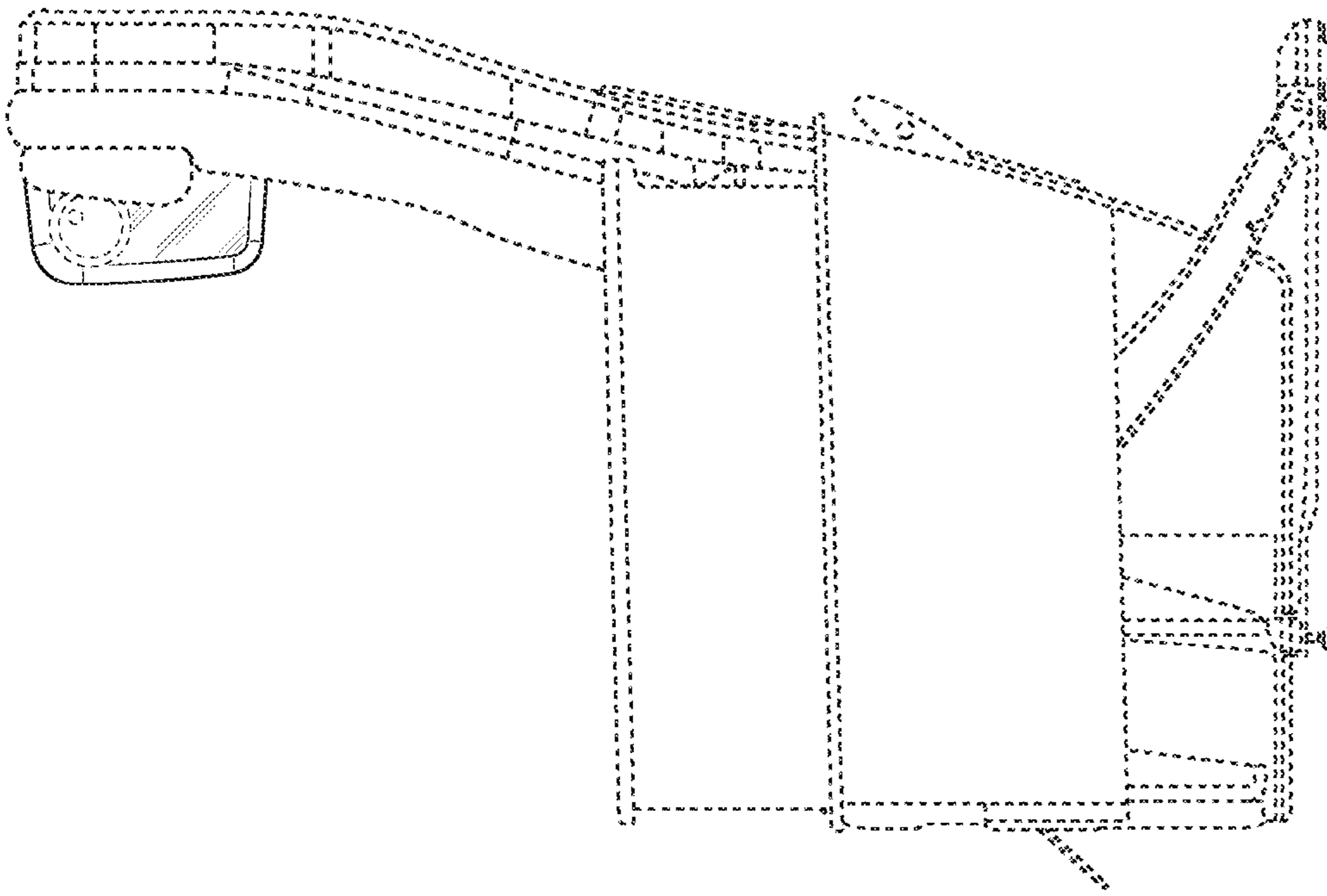


FIG.6

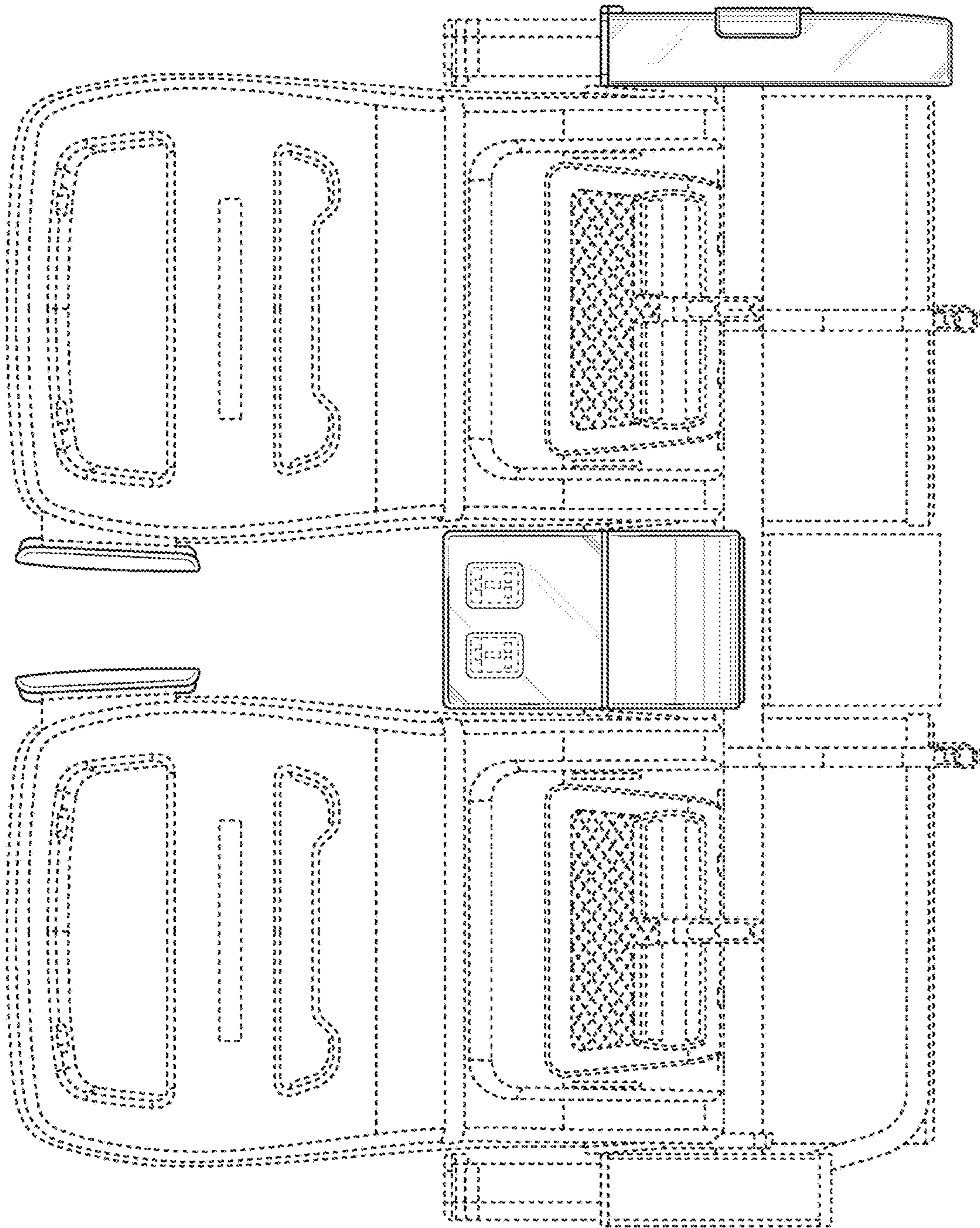


FIG. 7

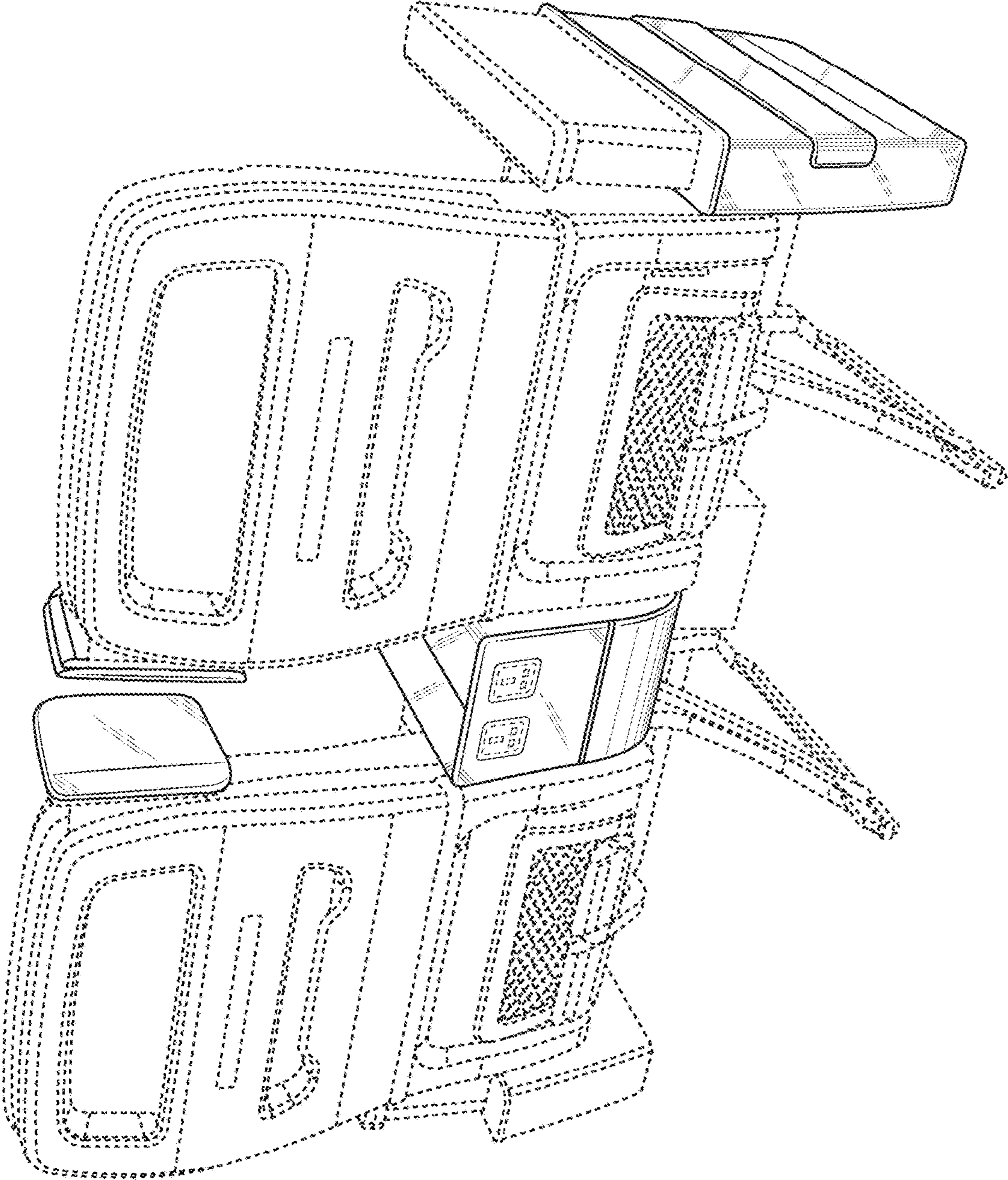


FIG. 8