



US00D934781S

(12) **United States Design Patent** (10) **Patent No.:** **US D934,781 S**
Satou (45) **Date of Patent:** **** Nov. 2, 2021**

(54) **HEATER CONTROL PANEL FOR AUTOMOBILE**

(71) Applicant: **Nissan Motor Co., Ltd.**, Kanagawa (JP)

(72) Inventor: **Atsushi Satou**, Kanagawa (JP)

(73) Assignee: **Nissan Motor Co., Ltd.**, Yokohama (JP)

(**) Term: **15 Years**

(21) Appl. No.: **29/727,640**

(22) Filed: **Mar. 12, 2020**

(30) **Foreign Application Priority Data**

Sep. 13, 2019 (JP) 2019-020652

(51) **LOC (13) Cl.** **12-16**

(52) **U.S. Cl.**
USPC **D12/415**

(58) **Field of Classification Search**
USPC D12/192, 415, 110, 114, 345, 400, 106, D12/99; D10/46, 98, 102-103, 122-127, D10/113.4; D14/157, 485, 489, 492, 488, D14/490; D15/17, 28; 296/70, 24.3, 296/37.12
CPC G08G 1/096883; G01C 21/16; G01C 21/3688; G01C 21/30; B60R 21/045; B60R 2300/305; B60R 7/04; B60R 7/06; B60R 7/08; B60K 35/00; B60K 37/00; G06F 3/04817

See application file for complete search history.

(56) **References Cited**

U.S. PATENT DOCUMENTS

D838,656 S *	1/2019	Tomasson	D12/415
D864,090 S *	10/2019	Buffery	D12/415
D908,073 S *	1/2021	Warner	D12/415
D908,075 S *	1/2021	Park	D12/415
D913,199 S *	3/2021	Song	D12/415
D918,123 S *	5/2021	Manzoni	D12/415

* cited by examiner

Primary Examiner — Abraham Bahta

(74) *Attorney, Agent, or Firm* — Global IP Counselors, LLP

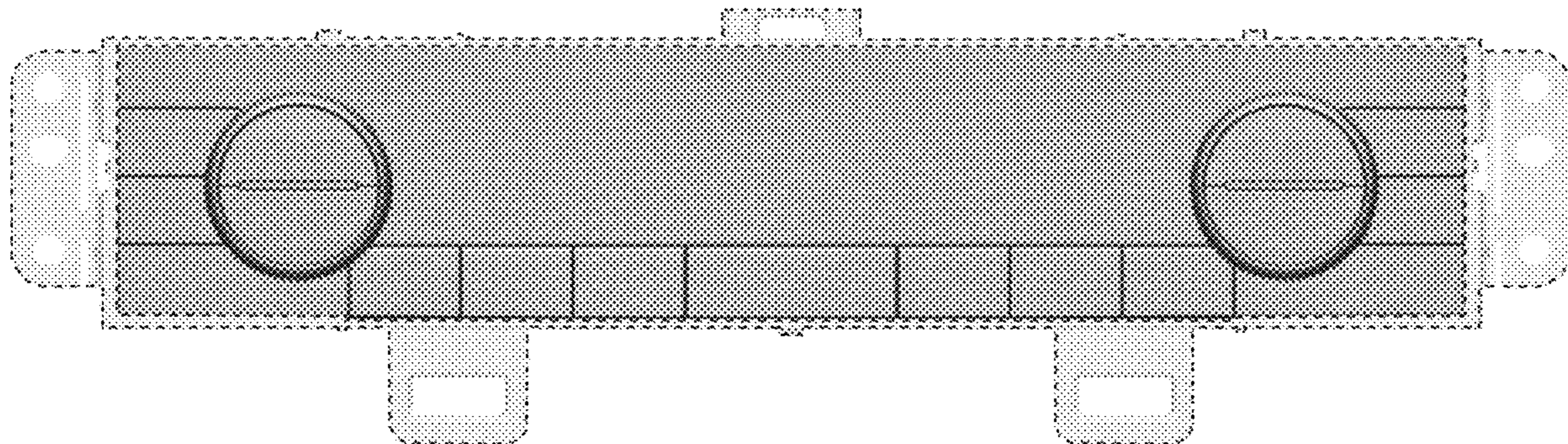
(57) **CLAIM**

The ornamental design for a heater control panel for an automobile, as shown and described.

DESCRIPTION

FIG. 1 is a front elevational view of a heater control panel for an automobile in accordance with my new design; FIG. 2 is a top plan view thereof; FIG. 3 is a bottom plan view thereof; FIG. 4 is a left side elevational view thereof; FIG. 5 is a right side elevational view thereof; FIG. 6 is a first side perspective view thereof; and, FIG. 7 is a second side perspective view thereof. The rear view and rear surfaces of the heater control panel form no part of the claimed design. The heater control panel is configured to be mounted to an automobile. The mounting surfaces of the heater control panel, shown in broken lines in FIGS. 1 to 7, form no part of the claimed design since the inside surfaces are hidden when the heater control panel is mounted to the automobile.

1 Claim, 7 Drawing Sheets



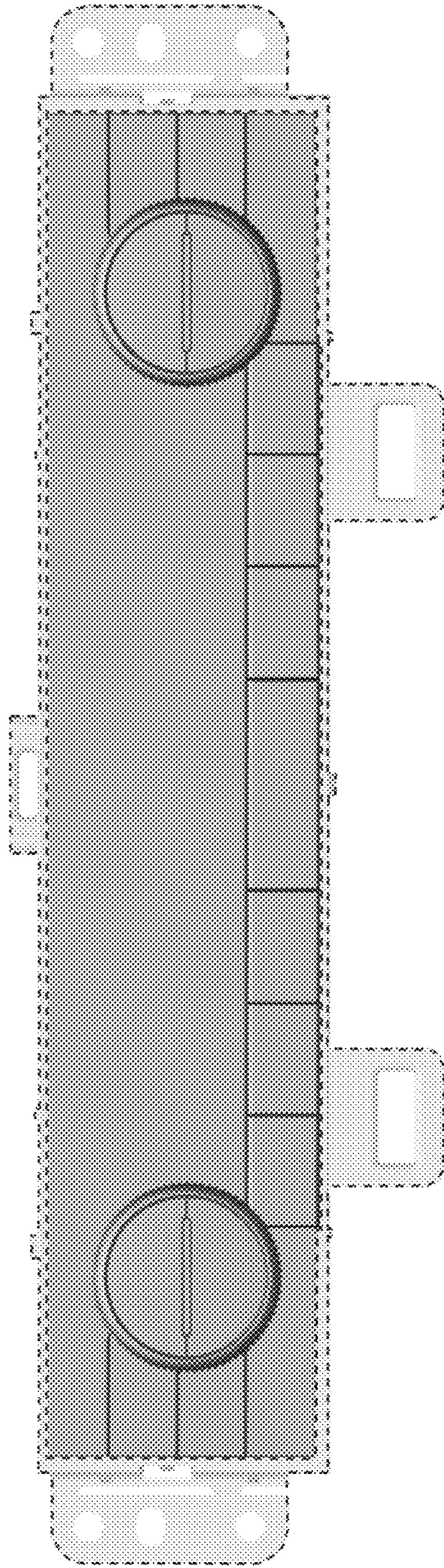


FIG. 1

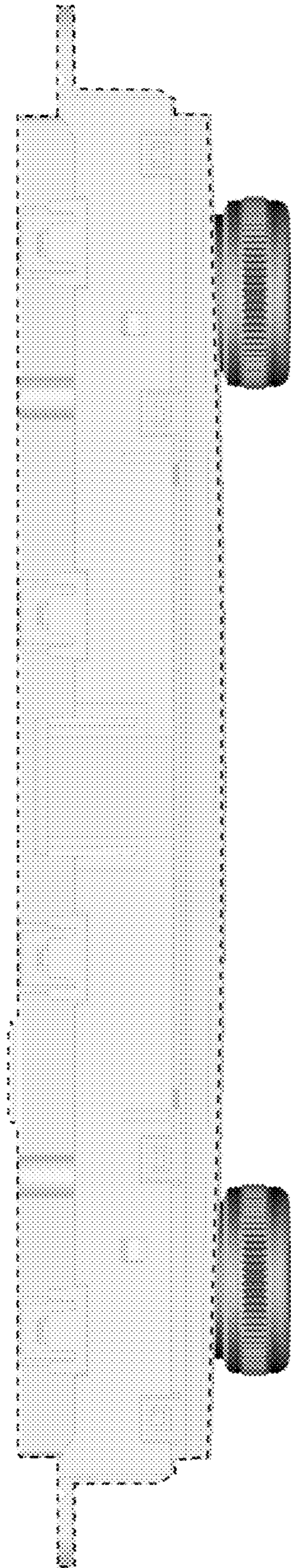


FIG. 2

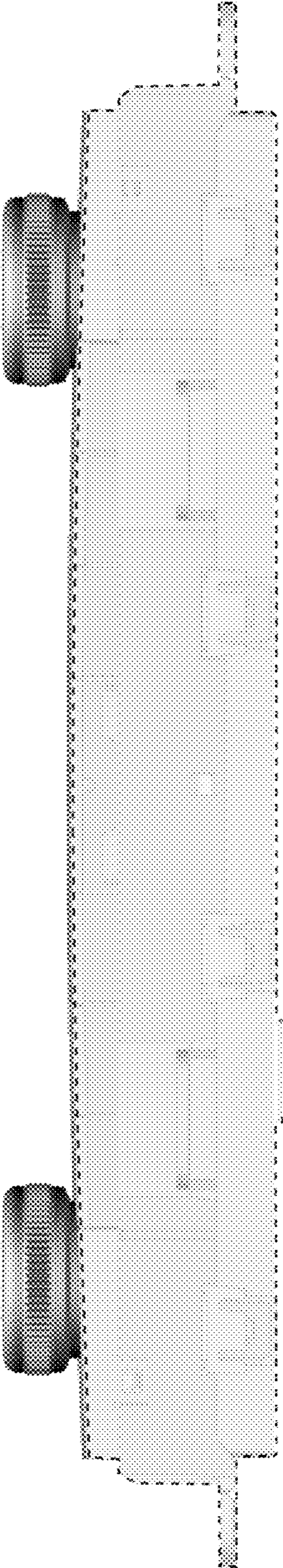


FIG. 3

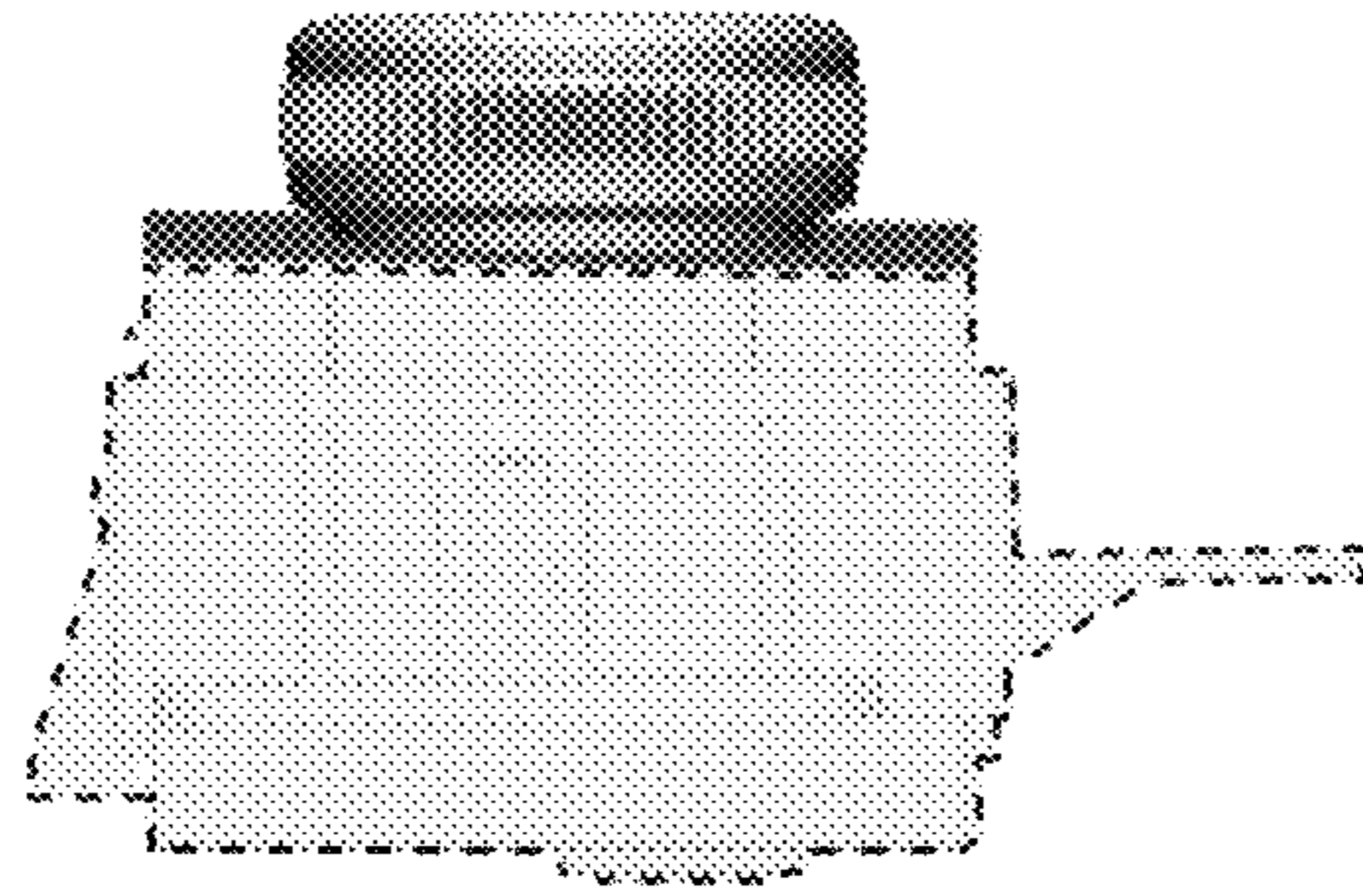


FIG. 4

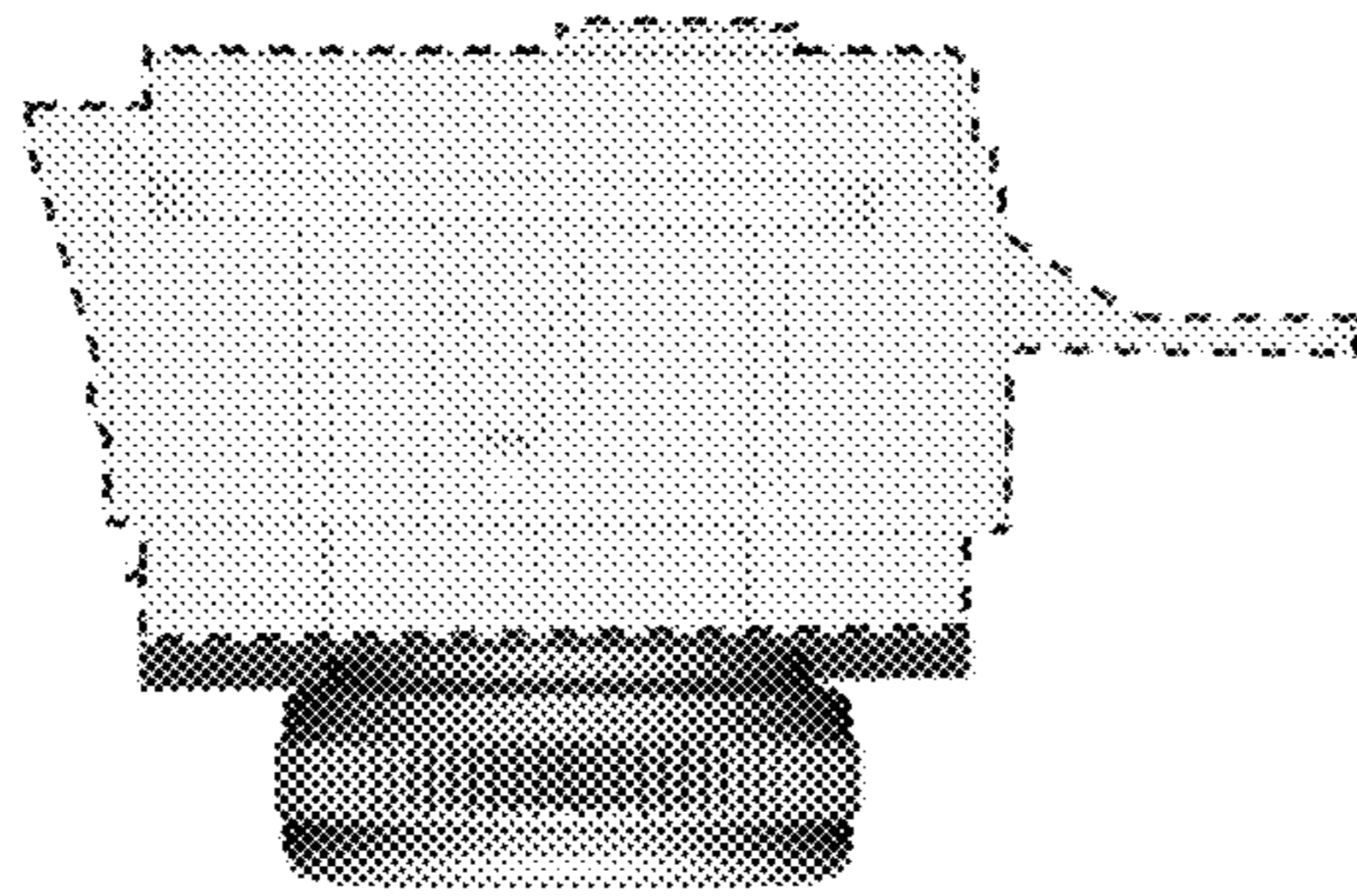


FIG. 5

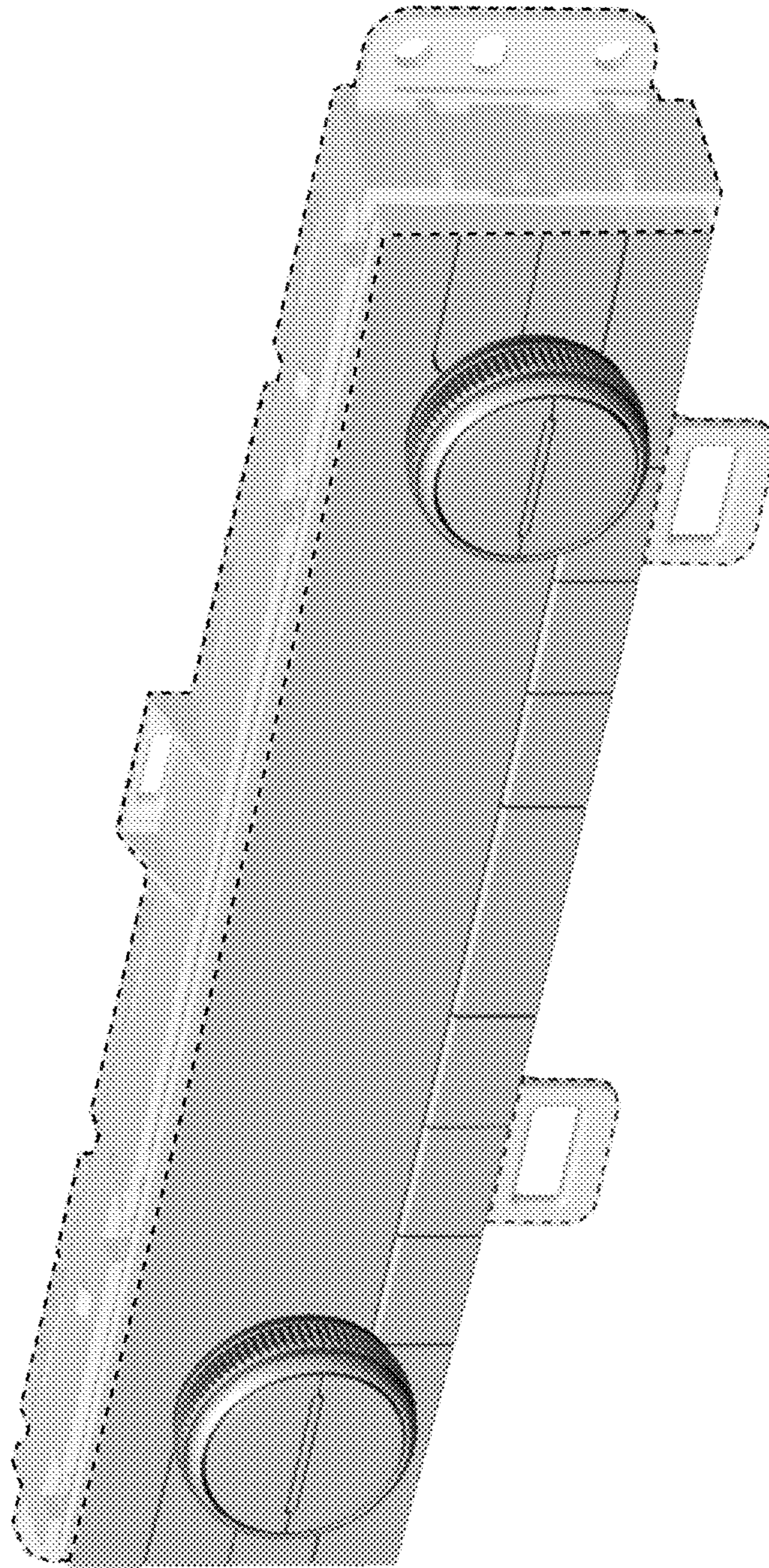


FIG. 6

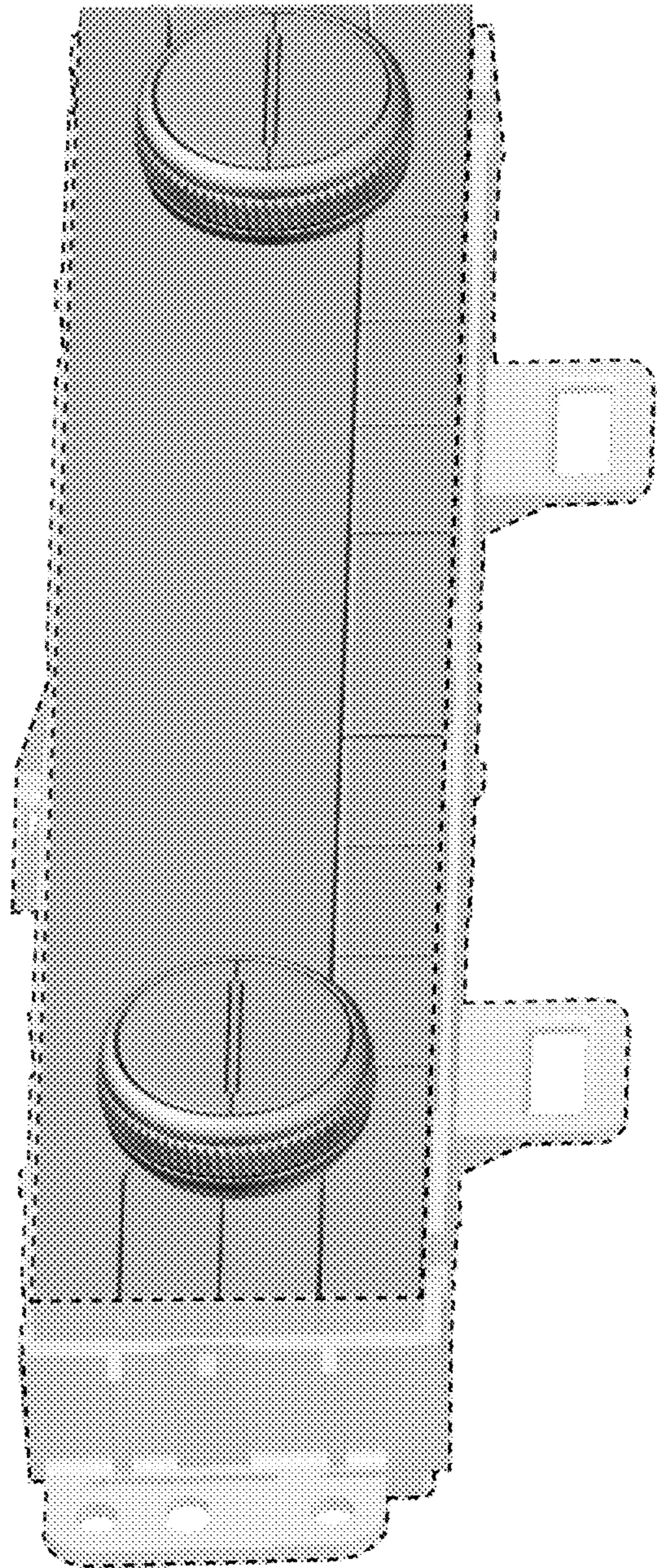


FIG. 7