



US00D934778S

(12) **United States Design Patent**  
**Auquier et al.**

(10) **Patent No.:** **US D934,778 S**  
(45) **Date of Patent:** **\*\* Nov. 2, 2021**

(54) **BALL SOCKET DUST BOOT**  
(71) Applicant: **FEDERAL-MOGUL MOTORPARTS LLC**, Southfield, MI (US)  
(72) Inventors: **Andrew L. Auquier**, St. Charles, MO (US); **James J. Elterman**, Byrnes, MO (US)

3,175,834 A \* 3/1965 Wallace ..... B60G 7/005  
277/635  
3,322,445 A \* 5/1967 Hassan ..... F16C 11/0671  
403/51  
3,901,518 A \* 8/1975 Uchida ..... F16C 11/0671  
277/635  
4,121,844 A \* 10/1978 Nemoto ..... F16C 11/0671  
277/635

(73) Assignee: **Federal-Mogul Motorparts LLC**, Southfield, MI (US)

(\*\*) Term: **15 Years**

(21) Appl. No.: **29/705,236**

(22) Filed: **Sep. 10, 2019**

(51) **LOC (13) Cl.** ..... **12-16**

(52) **U.S. Cl.**  
USPC ..... **D12/400**

(58) **Field of Classification Search**  
USPC ..... D12/400, 415, 420, 159, 161; D16/242, D16/244, 245; D14/432, 433, 299, 217; D8/349, 354, 355, 382, 394, 395  
CPC ..... F16M 11/2064; F16M 11/205; F16M 11/2035; F16M 11/2021; F16M 11/041; F16M 11/2078; F16M 11/14; F16M 11/10; F16M 2200/022; F16C 11/0695; F16C 11/0623; F16C 11/0614; F16C 11/0619; F16C 11/106; F16C 11/0685; F16C 11/0642; F16C 11/0676; F16C 11/06; F16C 2326/05; Y10T 403/32631; Y10T 403/32032; Y10T 403/32311; Y10T 403/32254; B62D 7/166; B62D 7/228; B60G 2204/416; B60G 7/005; G01B 5/0002

See application file for complete search history.

(56) **References Cited**

**U.S. PATENT DOCUMENTS**

2,559,857 A \* 7/1951 Edwards ..... F16C 11/0671  
403/134  
3,149,863 A \* 9/1964 Melton ..... F16C 11/0676  
403/125

(Continued)

**FOREIGN PATENT DOCUMENTS**

CA 2792309 A1 \* 5/2013 ..... F16C 11/0647  
WO WO-2017018168 A1 \* 2/2017 ..... F16C 11/0676  
WO WO-2020071032 A1 \* 4/2020 ..... F16J 15/52

*Primary Examiner* — Holly E Thurman

*Assistant Examiner* — Ieisha N Price

(74) *Attorney, Agent, or Firm* — Robert L. Stearn;  
Dickinson Wright, PLLC

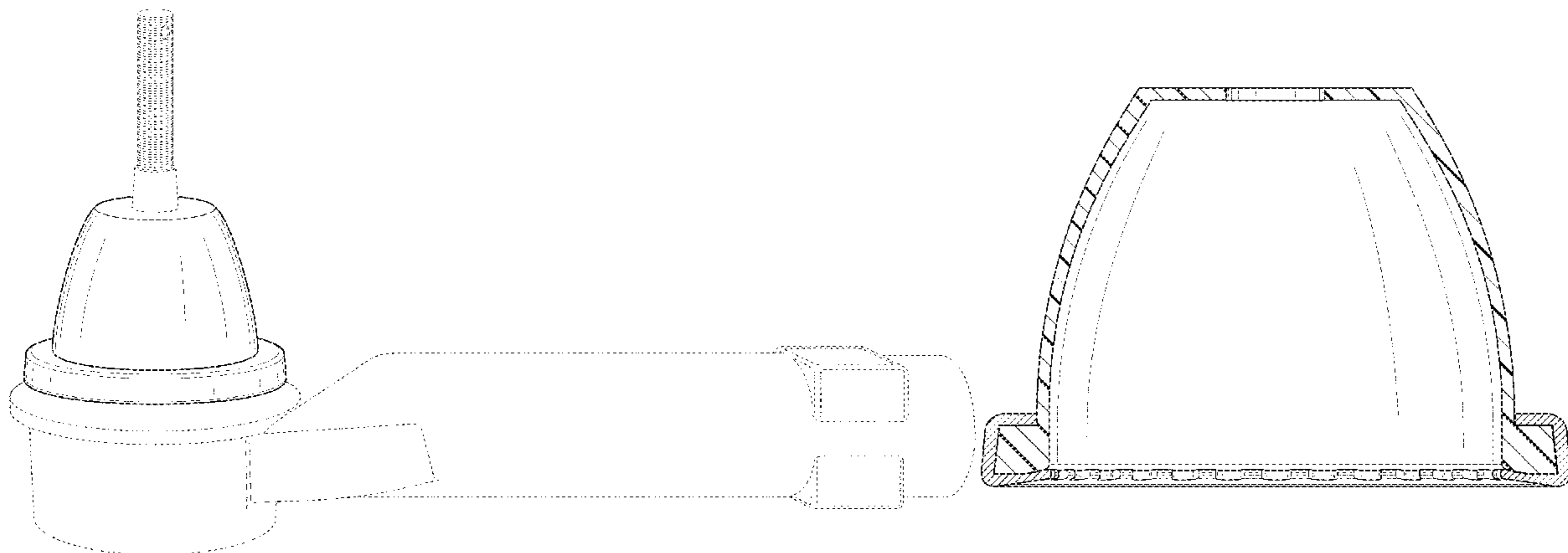
(57) **CLAIM**

We claim the ornamental design for a ball socket dust boot, as shown and described.

**DESCRIPTION**

FIG. 1 is a top isometric view of the ball socket dust boot; FIG. 2 is a bottom isometric view of the ball socket dust boot; FIG. 3 is a side view of the ball socket dust boot; FIG. 4 is a top plan view of the ball socket dust boot; FIG. 5 is a bottom plan view of the ball socket dust boot; and, FIG. 6 is a cross-sectional side view of the ball socket dust boot taken along the line 6-6 of FIG. 5. The broken lines rendered in FIG. 1 illustrates the environment of the claimed design and forms no part thereof.

**1 Claim, 6 Drawing Sheets**



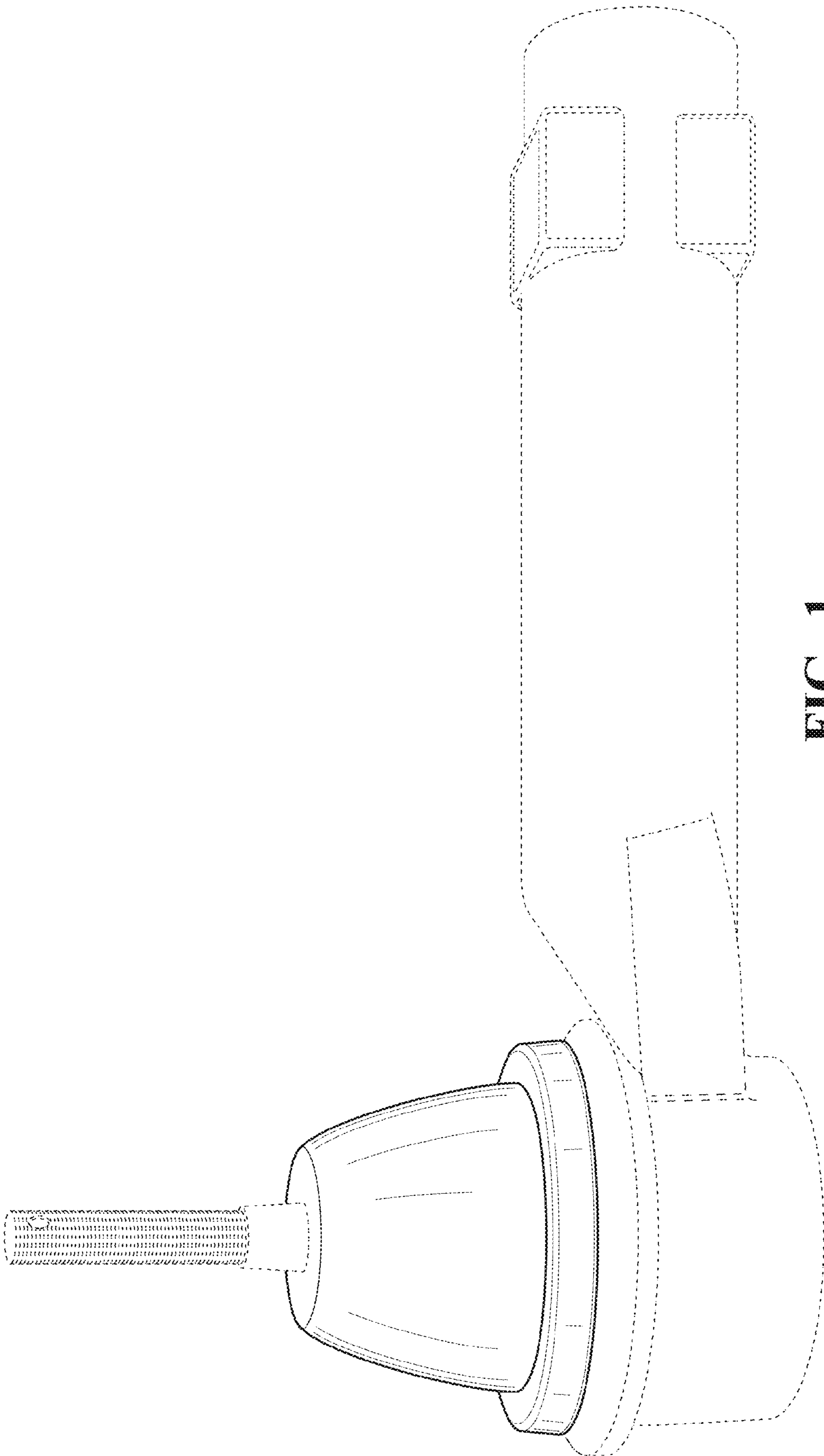
(56)

**References Cited**

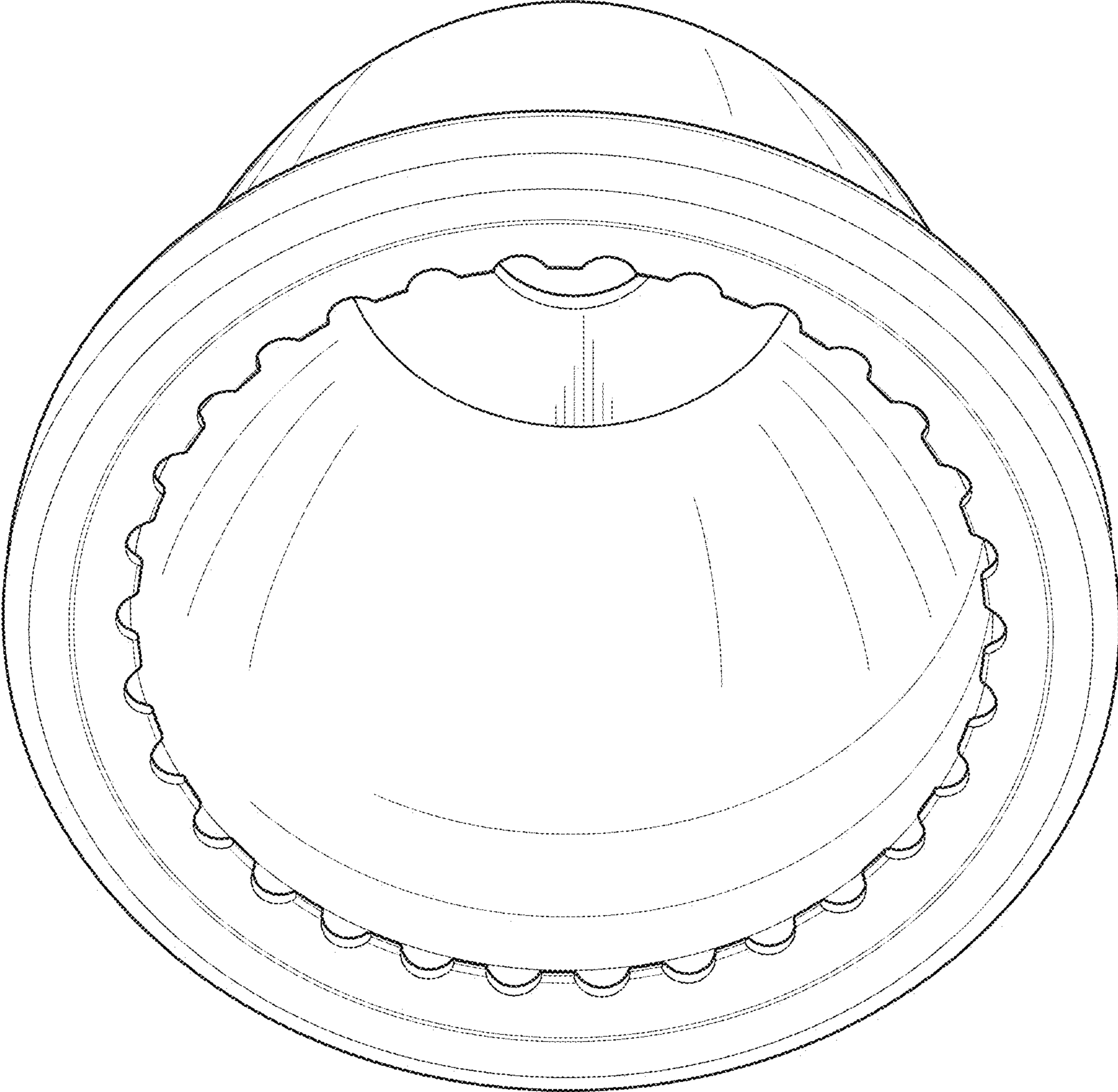
U.S. PATENT DOCUMENTS

4,322,175 A \* 3/1982 Szczesny ..... F16B 21/20  
 277/635  
 4,856,795 A \* 8/1989 DeLano ..... B29C 43/18  
 277/635  
 5,466,084 A \* 11/1995 Brueggen ..... F16C 11/0671  
 403/134  
 9,790,983 B2 \* 10/2017 Kopsie ..... F16C 11/0671  
 10,041,530 B2 \* 8/2018 Kanagawa ..... F16C 11/0671  
 10,563,692 B1 \* 2/2020 Reiff ..... F16J 3/046  
 10,718,372 B2 \* 7/2020 Byrnes, Jr. .... F16C 11/0671  
 D896,732 S \* 9/2020 Reiff ..... D12/400  
 D897,270 S \* 9/2020 Reiff ..... D12/400  
 10,780,756 B1 \* 9/2020 Reiff ..... B60G 7/005  
 2007/0048081 A1 \* 3/2007 Elterman ..... F16C 11/0671  
 403/122  
 2007/0059092 A1 \* 3/2007 Elterman ..... F16D 3/845  
 403/50  
 2014/0086667 A1 \* 3/2014 Elterman ..... F16C 11/0685  
 403/122  
 2018/0073552 A1 \* 3/2018 Doherty ..... F16C 11/0671  
 2018/0258982 A1 \* 9/2018 Sellers ..... B60G 7/005  
 2019/0017541 A1 \* 1/2019 Byrnes, Jr. .... F16C 11/045  
 2019/0048922 A1 \* 2/2019 Sugg ..... F16C 11/0633  
 2021/0054873 A1 \* 2/2021 Jiang ..... F16C 11/068  
 2021/0071709 A1 \* 3/2021 Auquier ..... F16C 11/0685

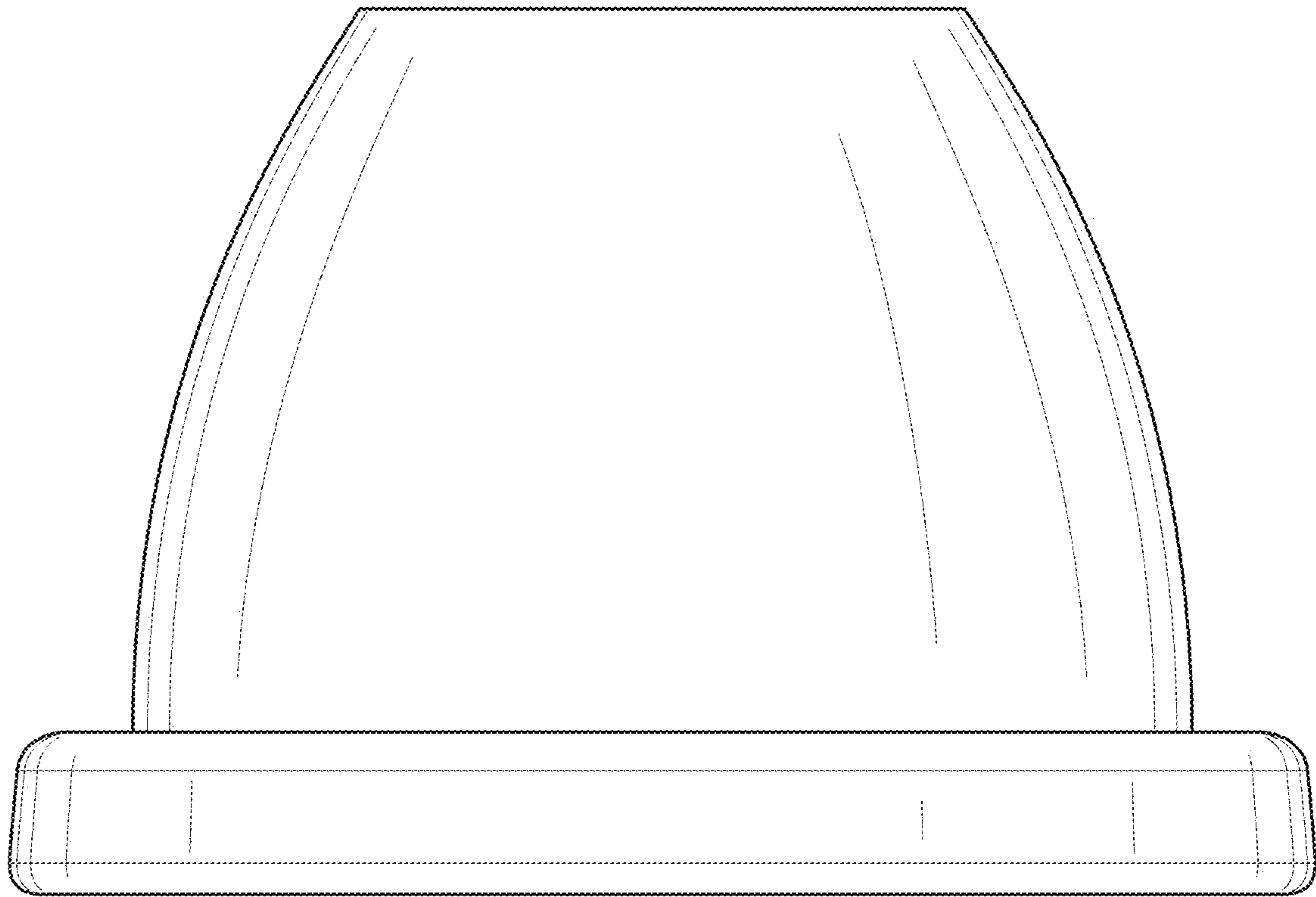
\* cited by examiner



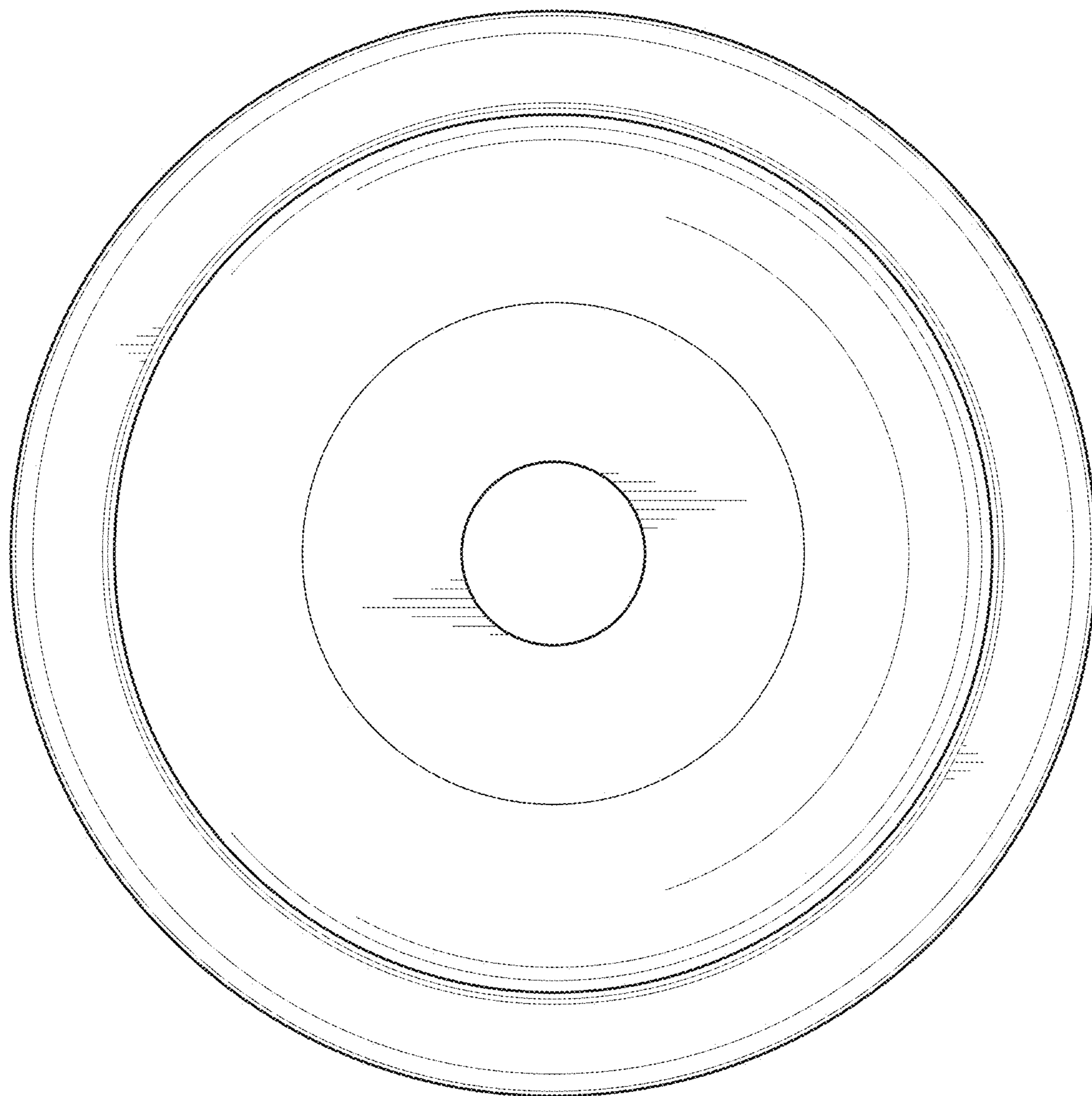
**FIG. 1**



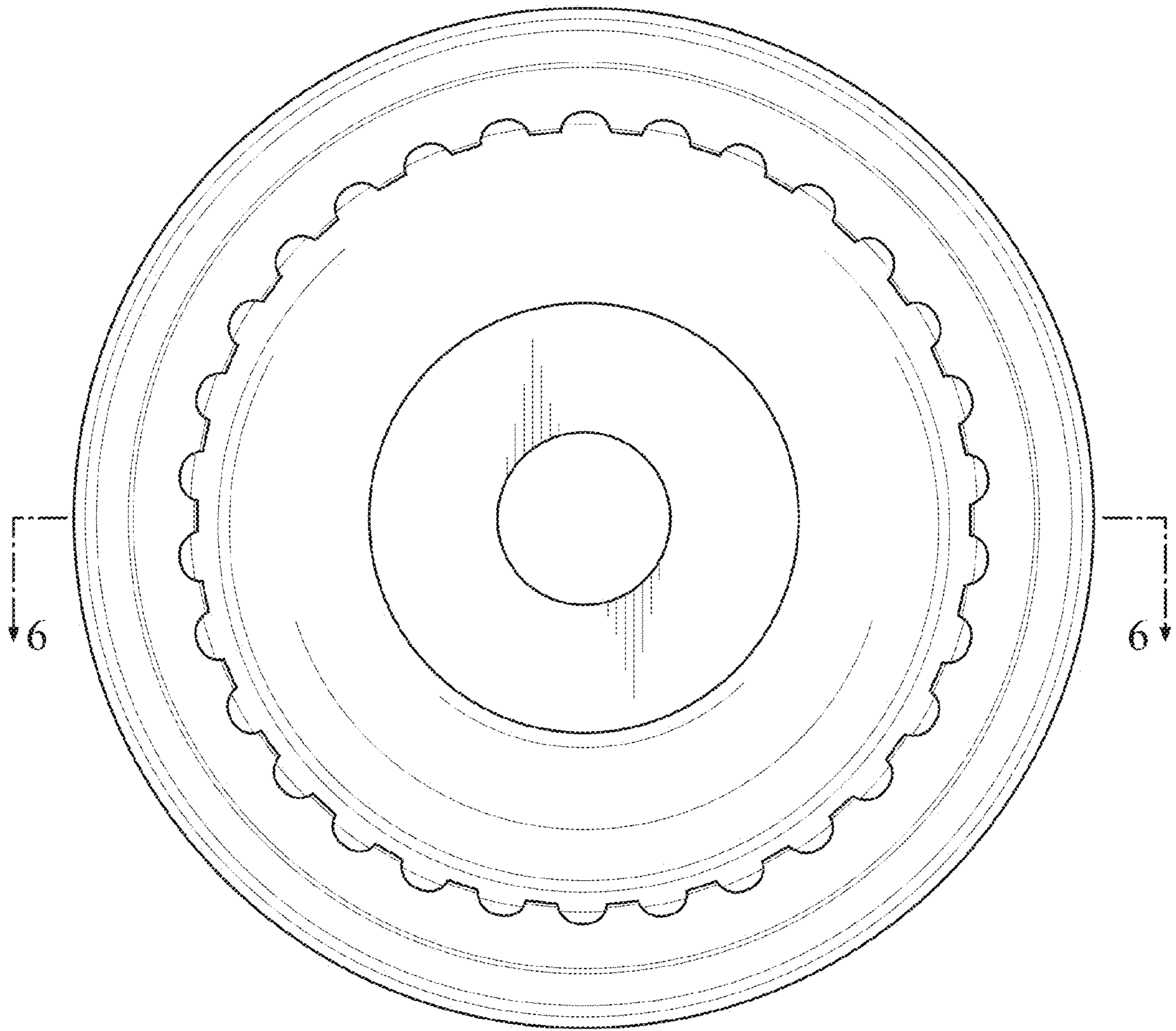
**FIG. 2**



**FIG. 3**



**FIG. 4**



**FIG. 5**

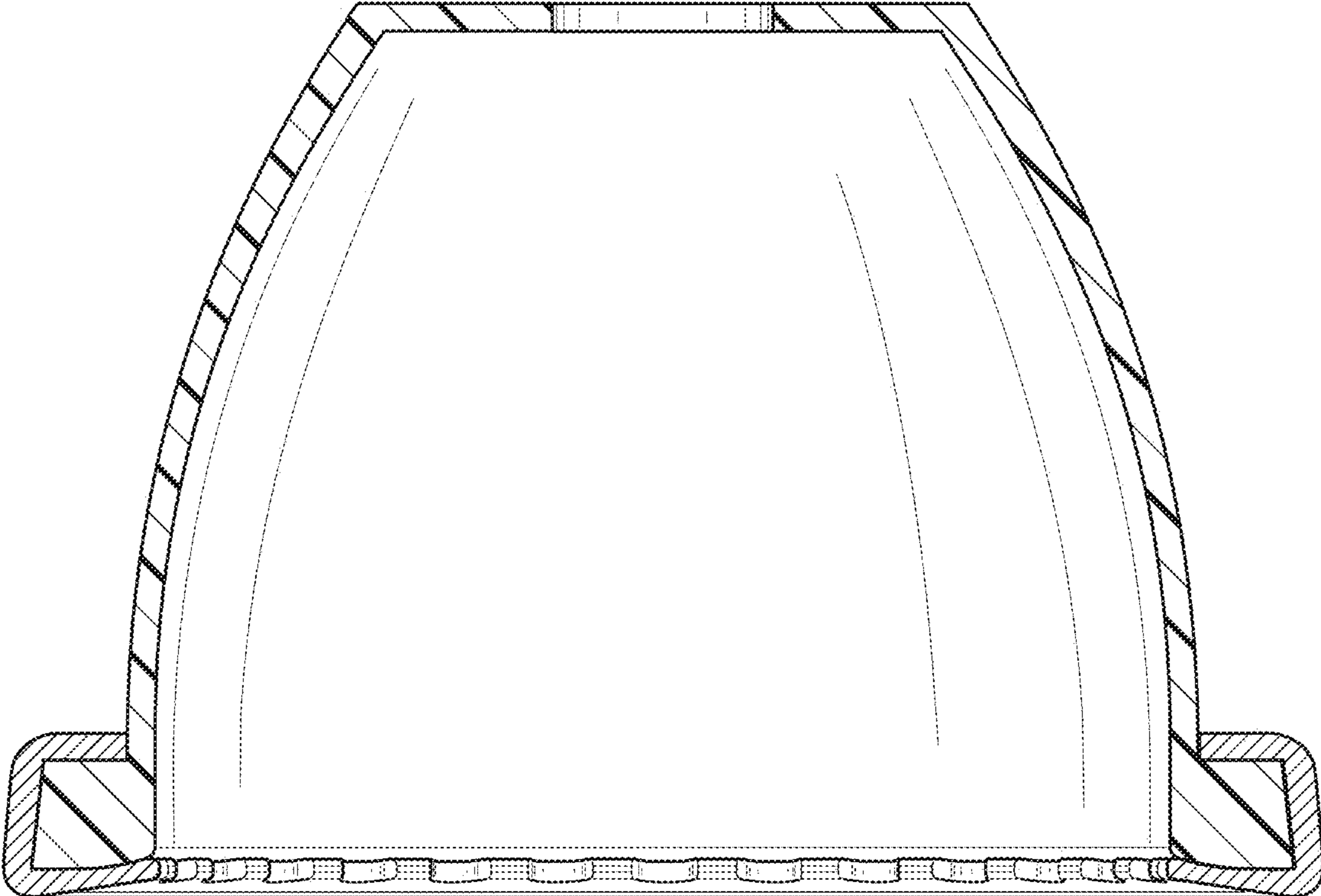


FIG. 6