



US00D934776S

(12) **United States Design Patent** (10) **Patent No.:** **US D934,776 S**
Jia et al. (45) **Date of Patent:** **** Nov. 2, 2021**

(54) **INTELLIGENT DEVICE**

(71) Applicant: **PowerVision Tech (SuZhou) Ltd.,**
Changshu (CN)

(72) Inventors: **Junjie Jia,** Changshu (CN); **Liye Chen,**
Changshu (CN)

(73) Assignee: **Powervision (Suzhou) Technology Co.,**
Ltd., Changshu (CN)

(**) Term: **15 Years**

(21) Appl. No.: **29/745,246**

(22) Filed: **Aug. 4, 2020**

Related U.S. Application Data

(62) Division of application No. 29/707,762, filed on Oct.
1, 2019, now Pat. No. Des. 900,675.

Foreign Application Priority Data

Apr. 1, 2019 (CN) 201910257812.7
May 20, 2019 (CN) 201910426335.2
Jul. 8, 2019 (CN) 201930359741.2
Sep. 9, 2019 (CN) 201910849426.7
Sep. 10, 2019 (CN) 201930497520.1
Sep. 10, 2019 (CN) 201930497524.X

(Continued)

(51) **LOC (13) Cl.** **12-07**

(52) **U.S. Cl.**
USPC **D12/324; D12/16.1**

(58) **Field of Classification Search**
USPC D12/1-4, 16.1, 319-345; D21/436, 441,
D21/443, 444, 446, 447, 448, 449, 450,
D21/451, 452, 453, 454

(Continued)

(56) **References Cited**

U.S. PATENT DOCUMENTS

D532,809 S * 11/2006 Shih D16/218
D760,624 S * 7/2016 Balaesque D12/16.1

(Continued)

OTHER PUBLICATIONS

PowerEgg X by Powervision, copyright of webpage 2021. no
visible publication date, found online [May 26, 2021] [https://www.
powervision.me/en/product/powereggx](https://www.powervision.me/en/product/powereggx).*

Primary Examiner — Marissa J Cash

(74) *Attorney, Agent, or Firm* — Winston Hsu

(57) **CLAIM**

The ornamental design for an intelligent device, as shown
and described.

DESCRIPTION

FIG. 1 is a top, front, and right side perspective view of an
intelligent device showing our new design;

FIG. 2 is a front elevation view thereof;

FIG. 3 is a rear elevation view thereof;

FIG. 4 is a left side elevation view thereof;

FIG. 5 is a right side elevation view thereof;

FIG. 6 is a top plan view thereof;

FIG. 7 is a bottom plan view thereof;

FIG. 8 is a perspective view of the intelligent device, shown
in condition of use with buoyancy accessories;

FIG. 9 is a front elevation view of FIG. 9;

FIG. 10 is a rear elevation view of FIG. 9;

FIG. 11 is a left side elevation view of FIG. 9;

FIG. 12 is a right side elevation view of FIG. 9;

(Continued)

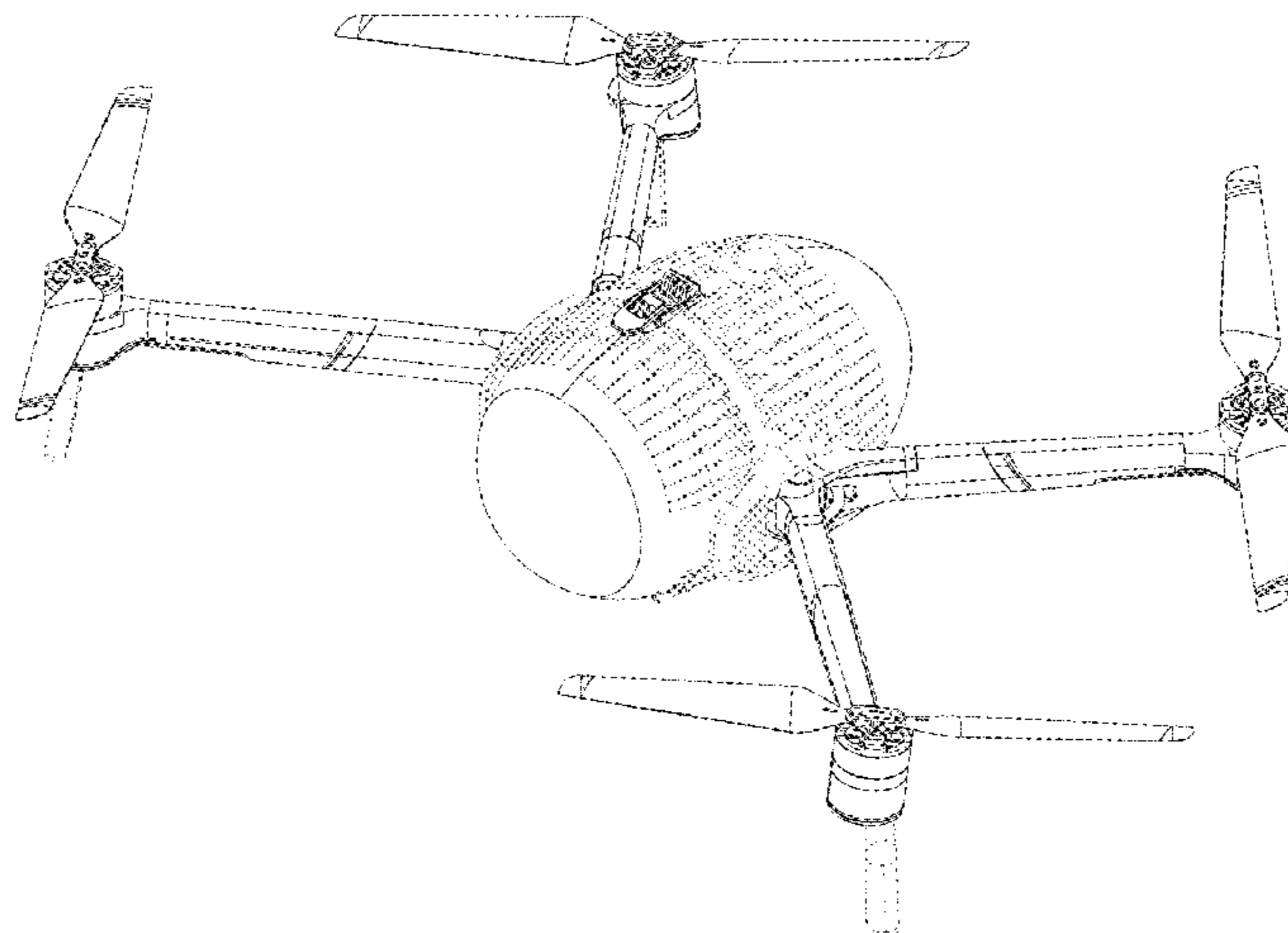


FIG. 13 is a top plan view of FIG. 9; and, FIG. 14 is a bottom plan view of FIG. 9. The broken lines shown in FIGS. 1-14 depict portions of the intelligent device that form no part of the claimed design. The additional broken lines shown in FIGS. 8-14 represent environmental structures that form no part of the claimed design.

1 Claim, 14 Drawing Sheets

(30) **Foreign Application Priority Data**

Sep. 10, 2019 (CN) 201930497642.0
 Sep. 10, 2019 (CN) 201930497935.9
 Sep. 10, 2019 (CN) 201930497937.8

(58) **Field of Classification Search**

CPC B64C 2201/141; B64C 2201/20; B64C 2201/027; B64C 1/40; B64G 1/002; A63H 33/185

See application file for complete search history.

(56)

References Cited

U.S. PATENT DOCUMENTS

9,527,588	B1 *	12/2016	Rollefstad	G05D 1/0005
D797,602	S *	9/2017	Li	D12/16.1
D814,350	S *	4/2018	Joo	D12/16.1
D821,264	S *	6/2018	Choo	D12/16.1
D834,996	S *	12/2018	Zheng	D12/16.1
D856,259	S *	8/2019	Li	D12/328
D889,012	S *	6/2020	Lin	D26/51
10,787,257	B2 *	9/2020	Kim	G05D 1/0033
D900,675	S *	11/2020	Jia	D12/1
10,820,574	B2 *	11/2020	Gordon	A01K 57/00
D903,576	S *	12/2020	Feldman	D12/319
D926,632	S *	8/2021	Jia	D12/16.1
D927,353	S *	8/2021	Jia	D12/16.1
2016/0179096	A1 *	6/2016	Bradlow	G05D 1/0669 701/8
2016/0257424	A1 *	9/2016	Stabler	B64F 1/20
2016/0272317	A1 *	9/2016	Cho	G05D 1/0088
2016/0280359	A1 *	9/2016	Semke	B64C 27/10
2018/0304984	A1 *	10/2018	Zheng	B64C 25/10
2019/0193844	A1 *	6/2019	Zheng	B64C 1/30
2020/0001994	A1 *	1/2020	Prokhorov	G08G 5/0021
2021/0107645	A1 *	4/2021	Izraelevitz	B64C 25/32

* cited by examiner

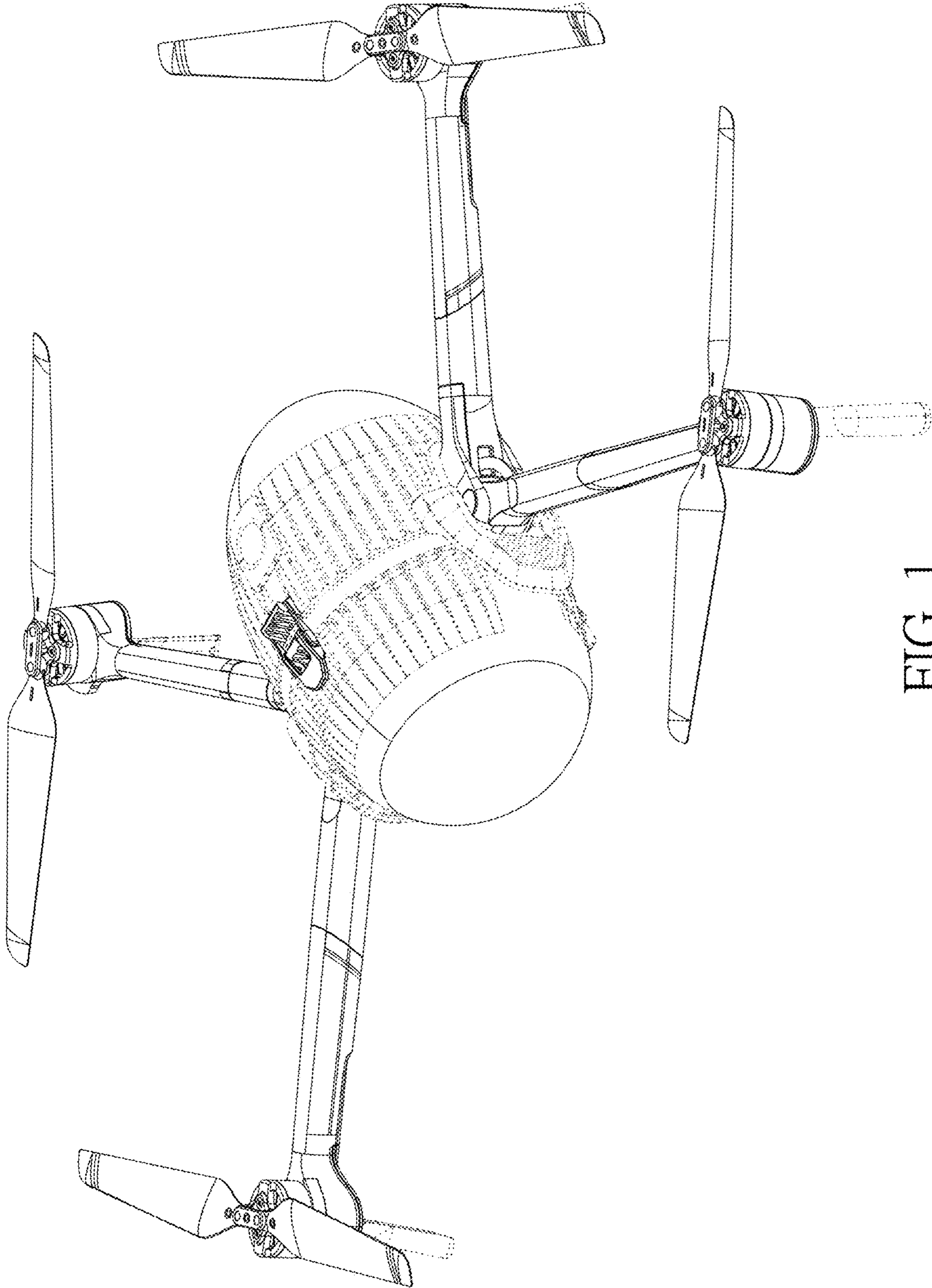


FIG. 1

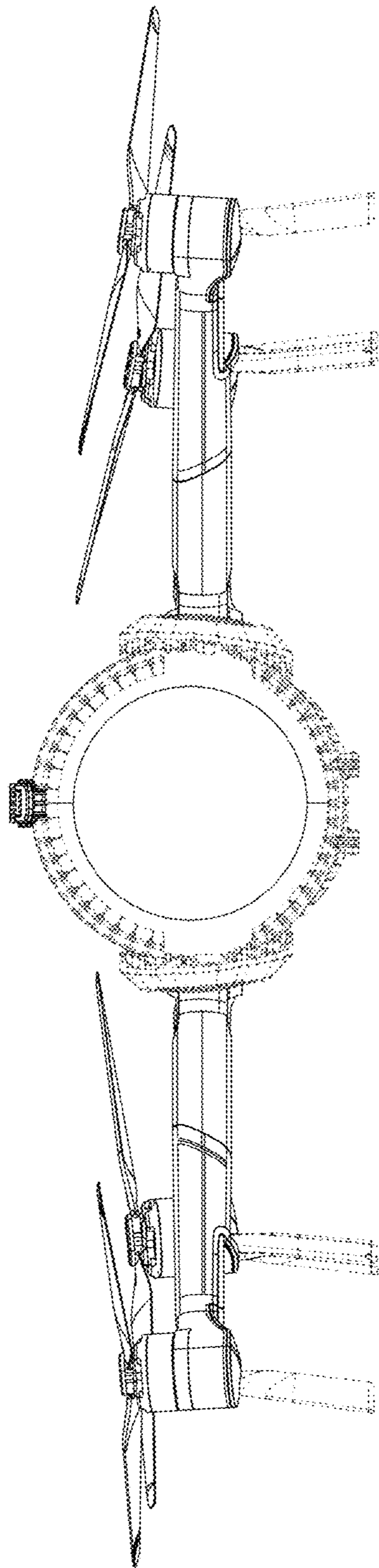


FIG. 2

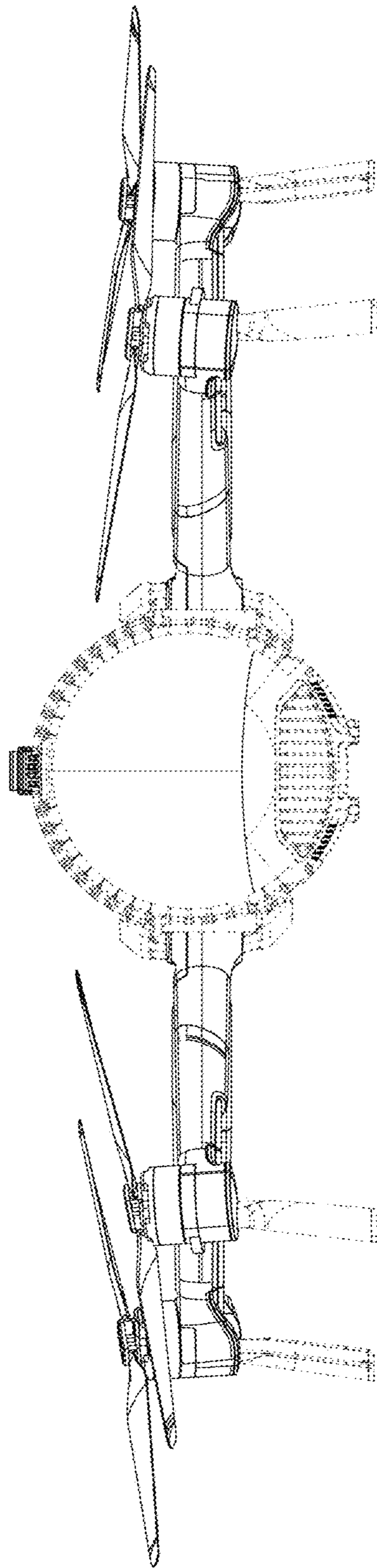


FIG. 3

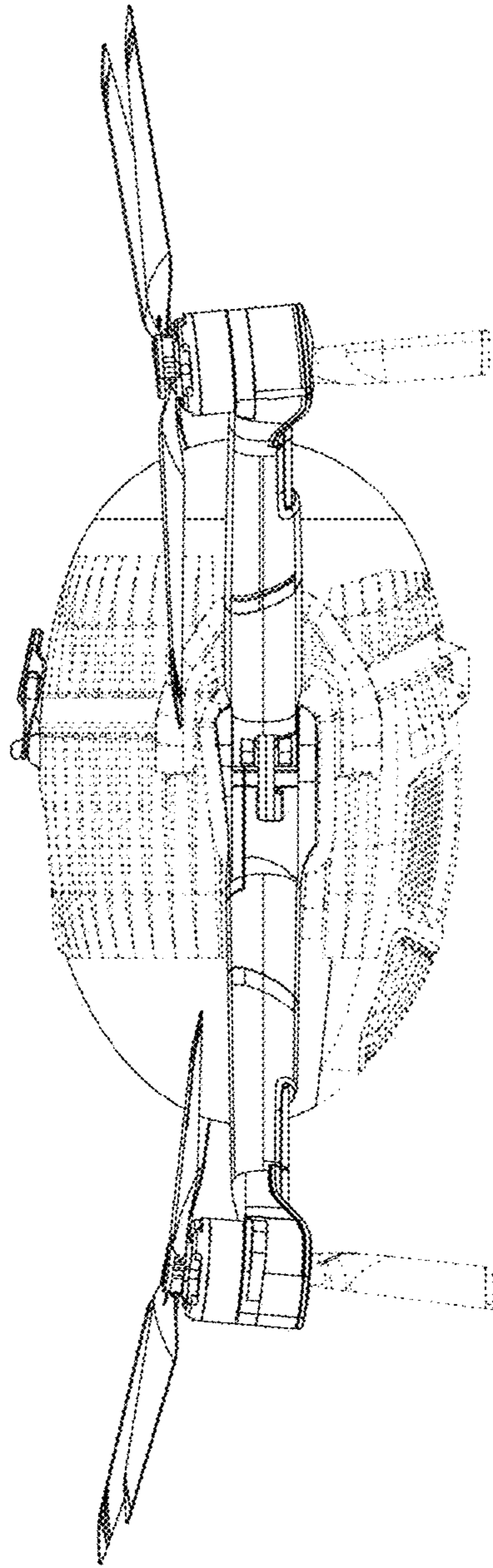


FIG. 4

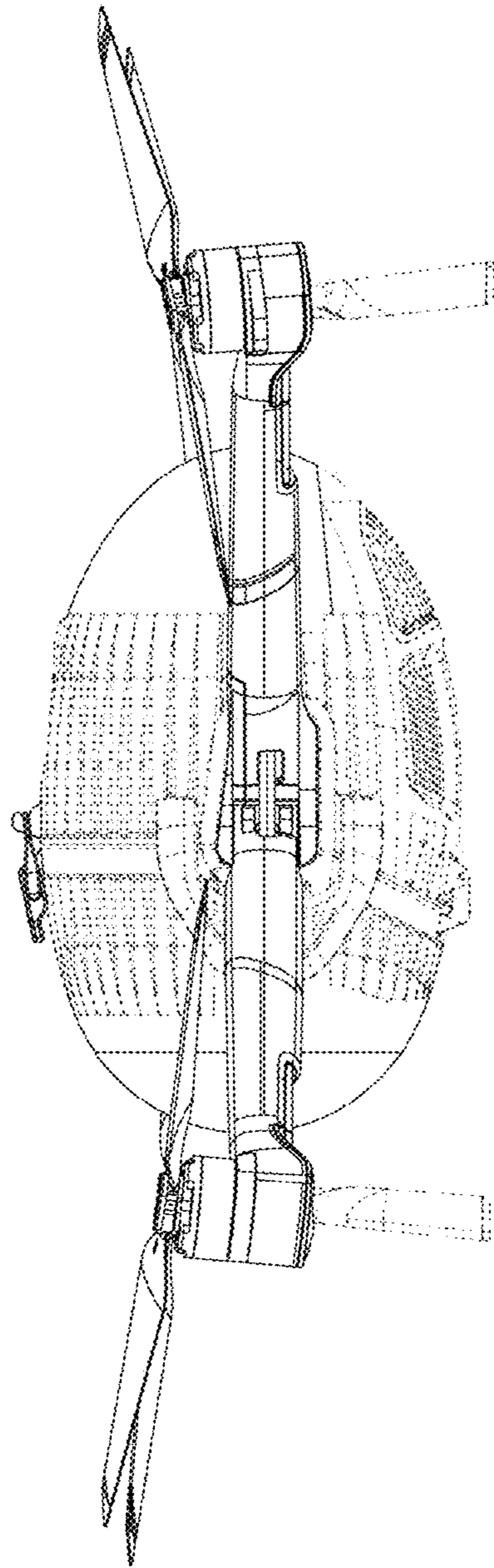


FIG. 5

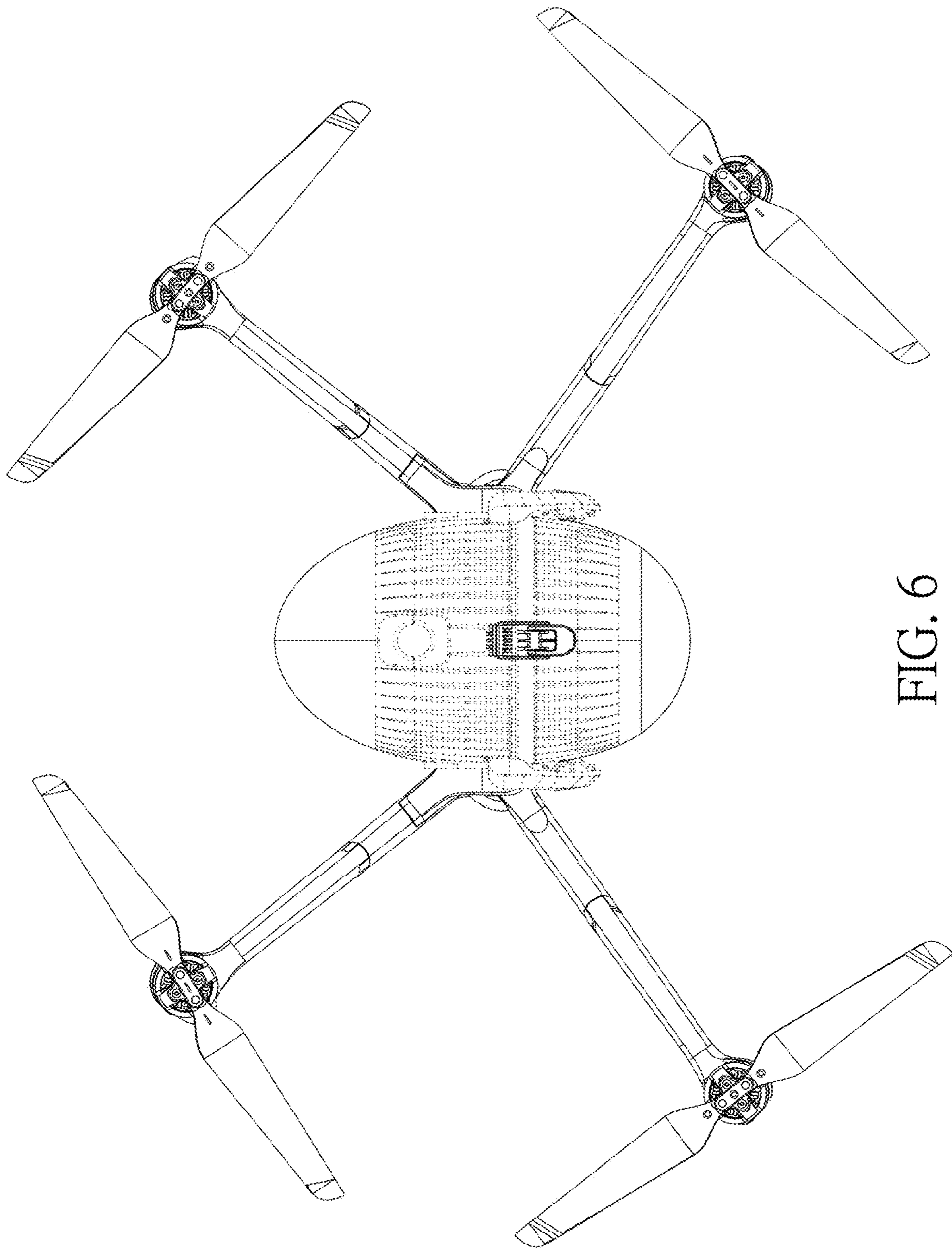


FIG. 6

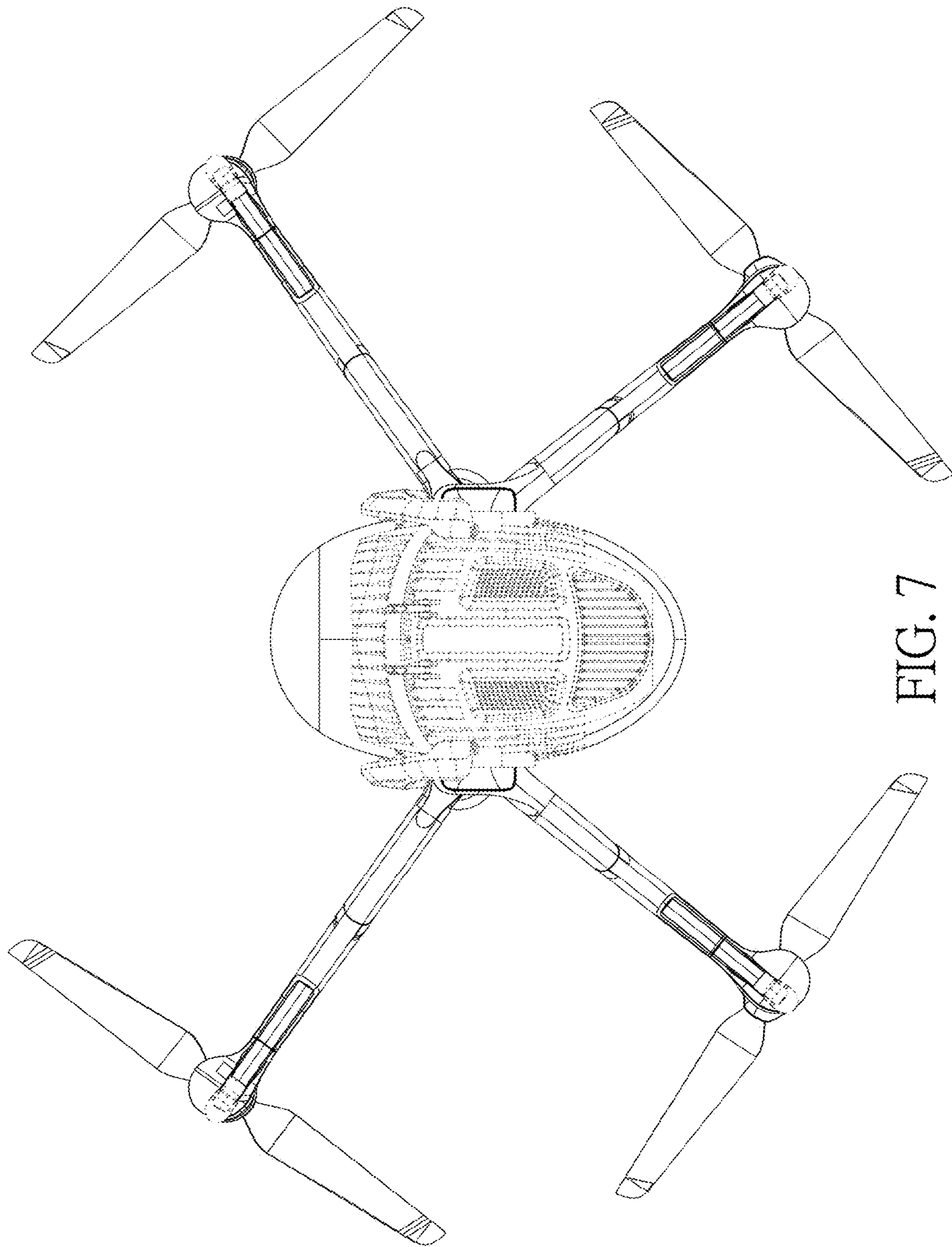


FIG. 7

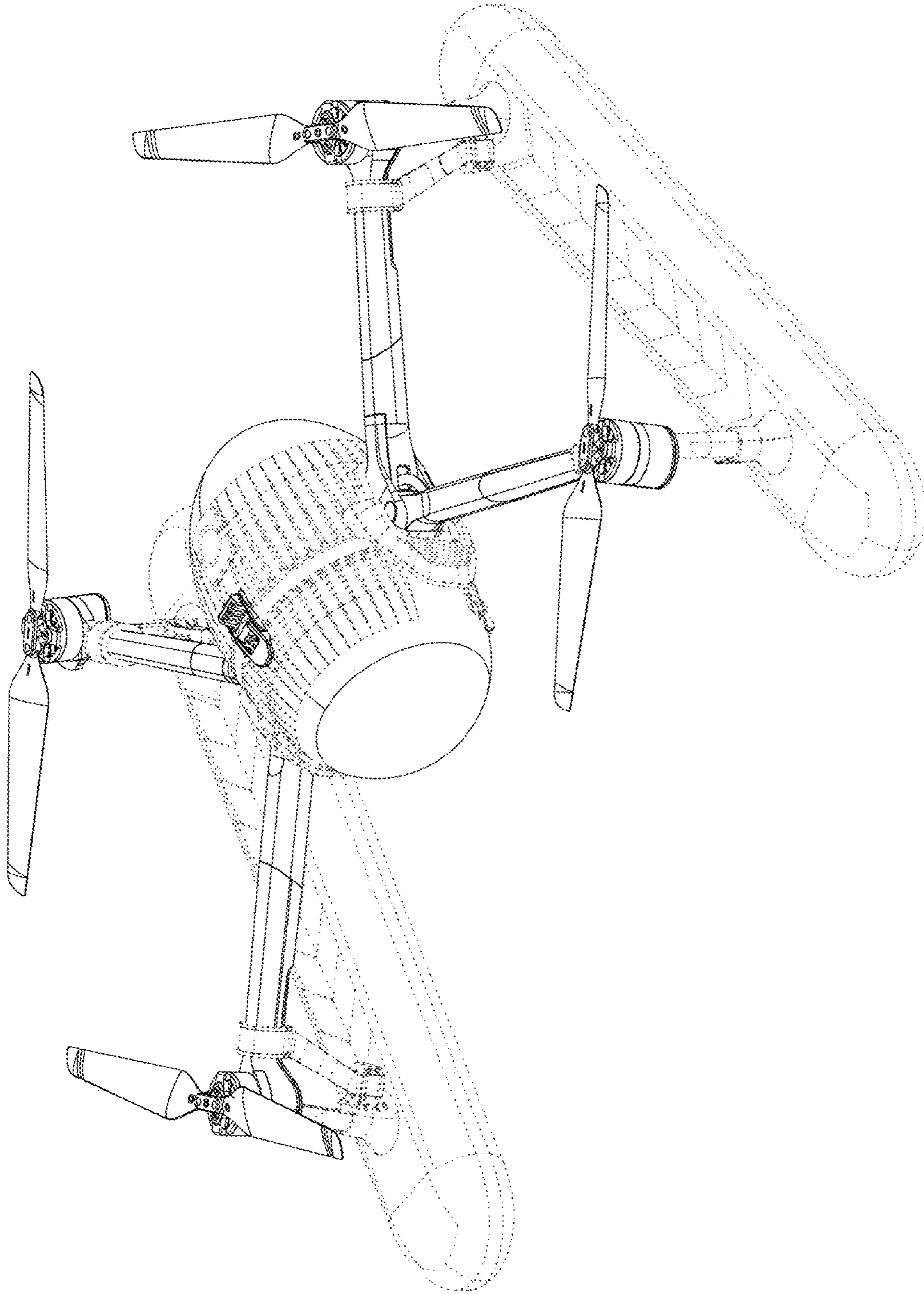


FIG. 8

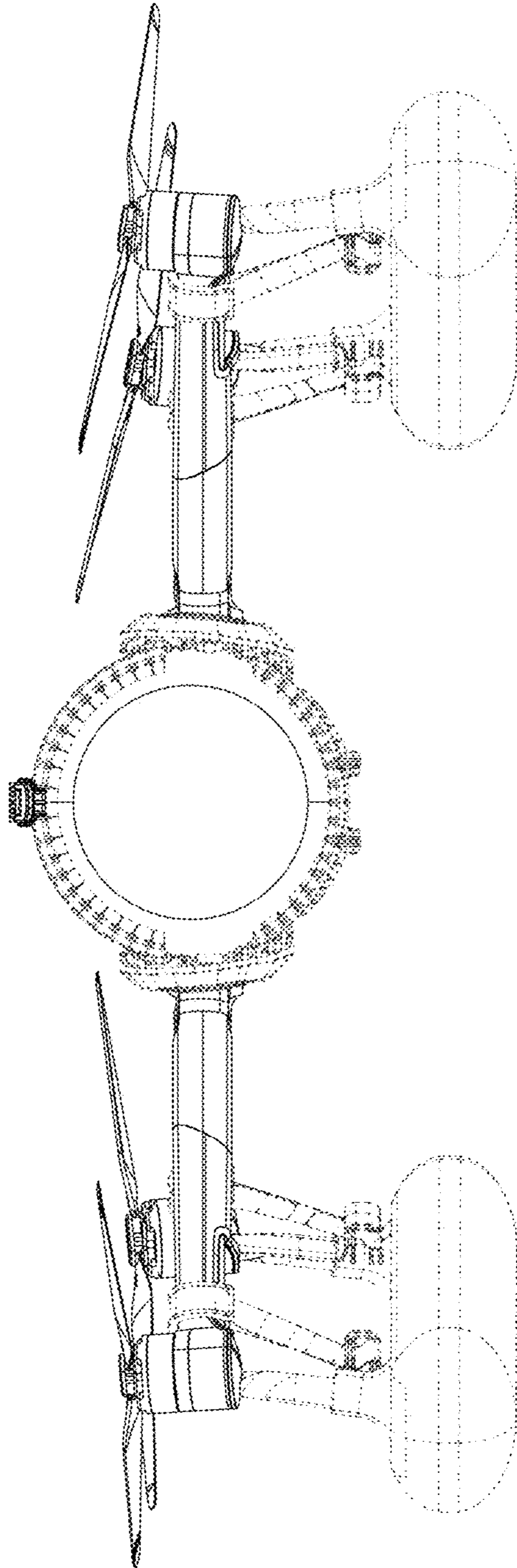


FIG. 9

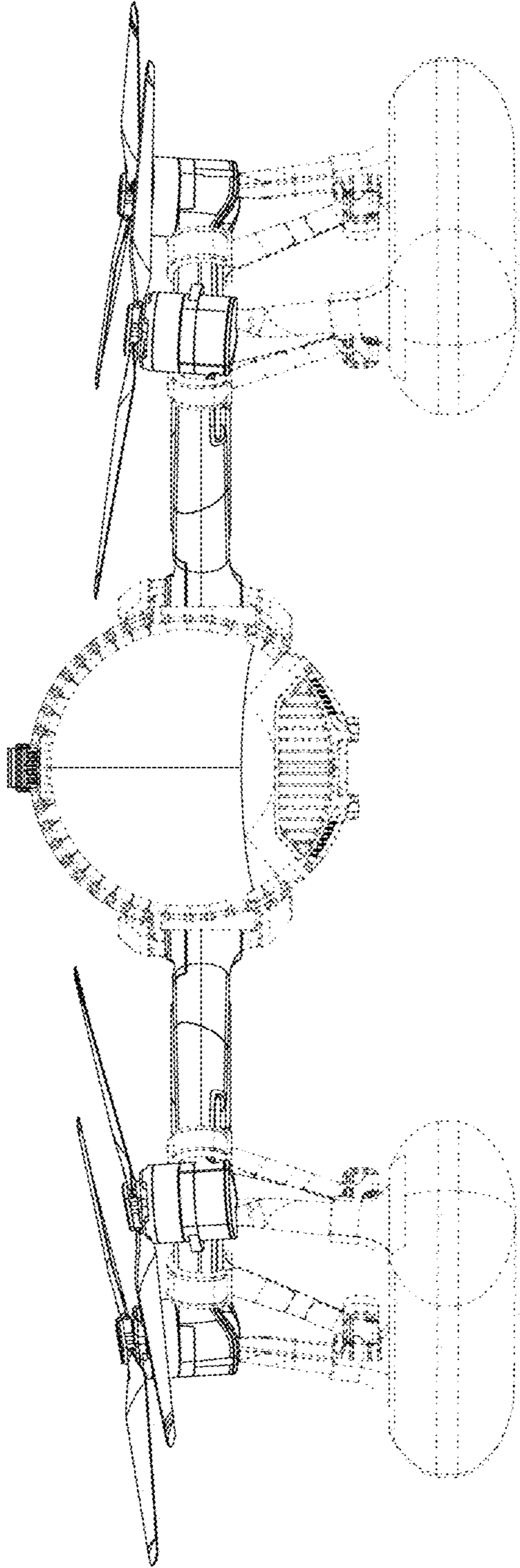


FIG. 10

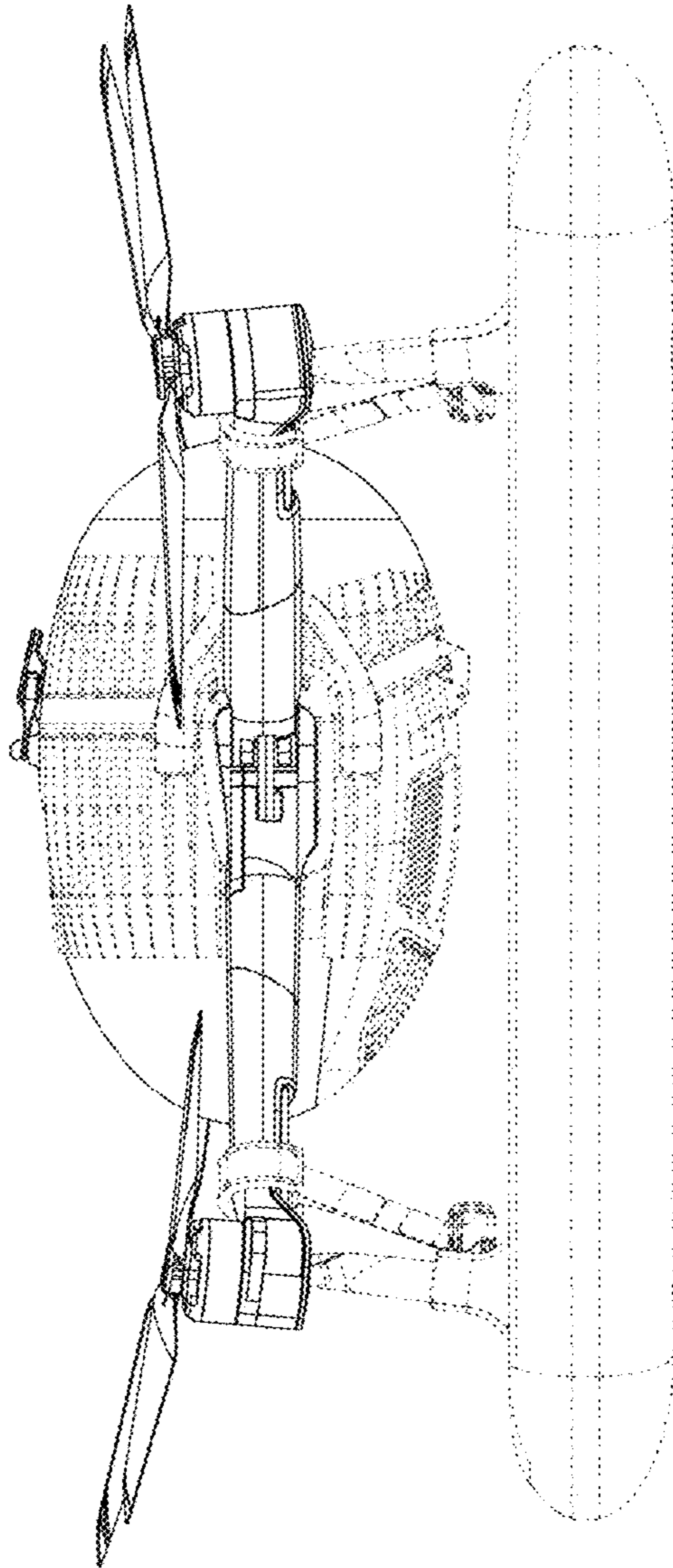


FIG. 11

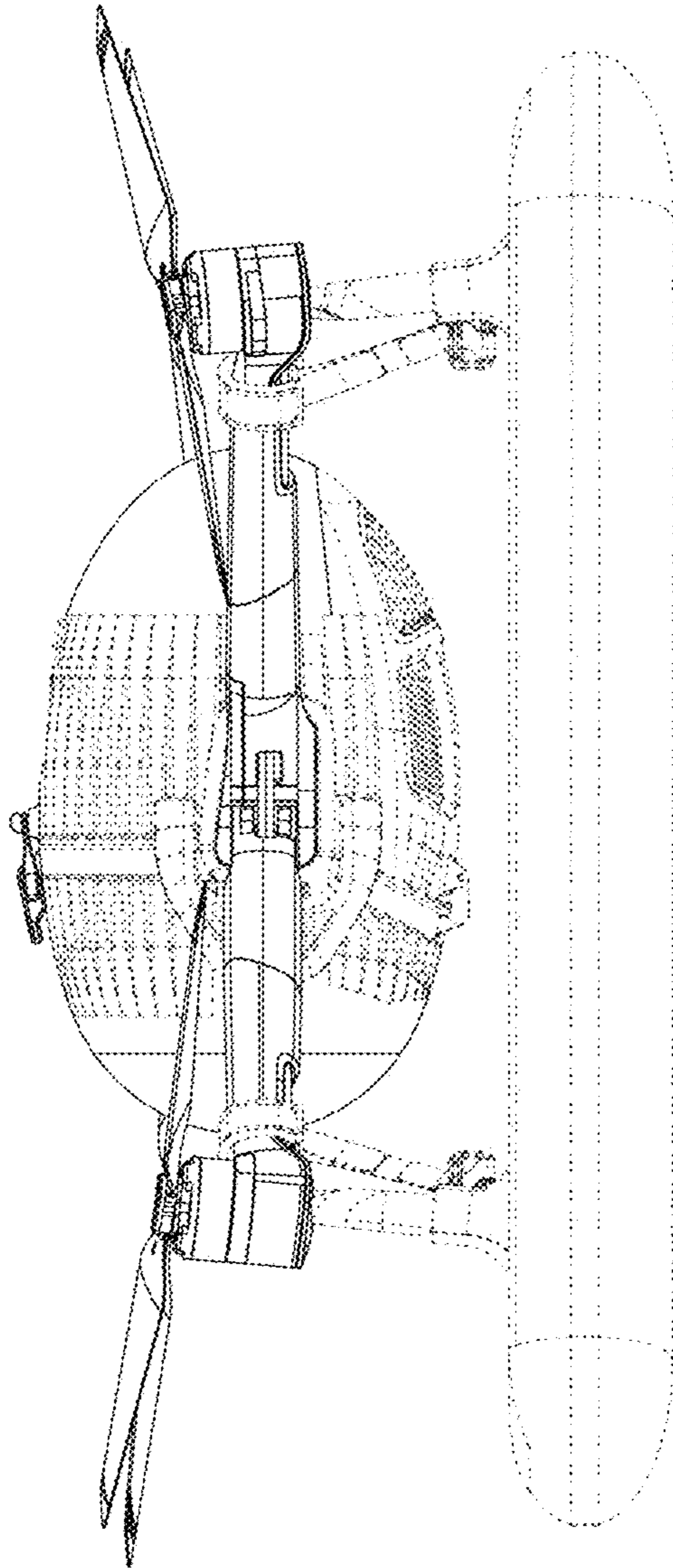


FIG. 12

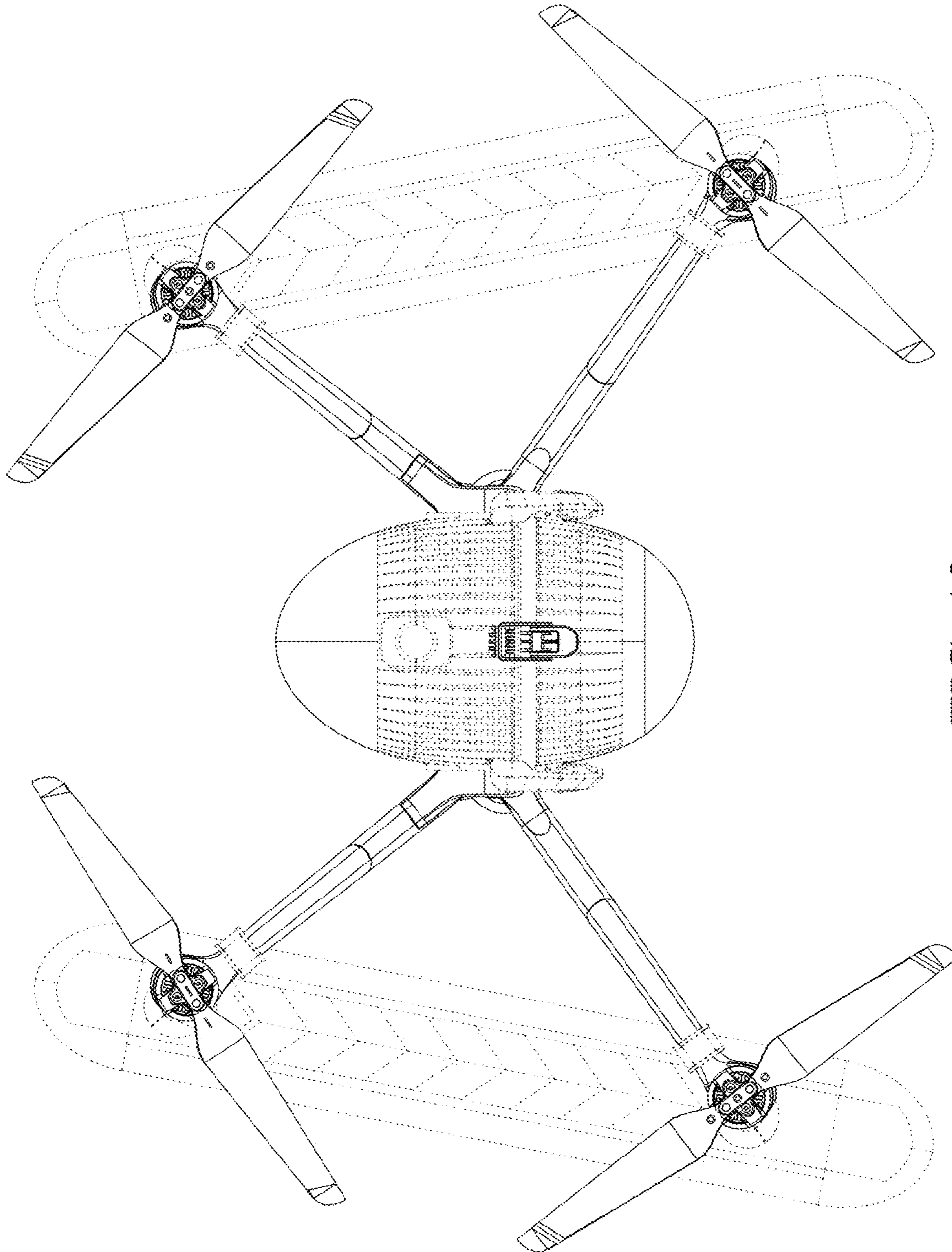


FIG. 13

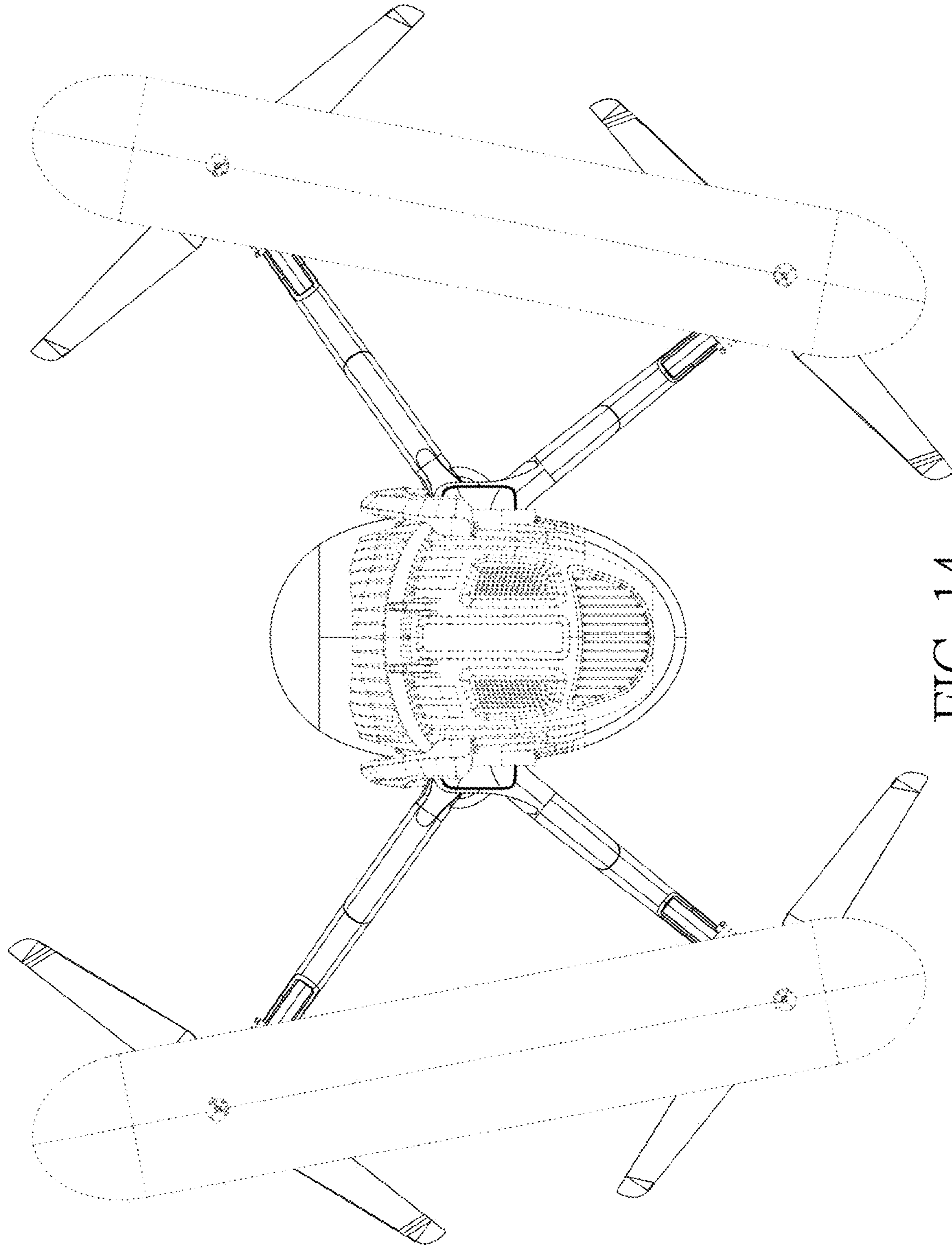


FIG. 14