



US00D934775S

(12) **United States Design Patent**
Hanson et al.

(10) **Patent No.:** **US D934,775 S**

(45) **Date of Patent:** **** Nov. 2, 2021**

- (54) **DUAL-MOTOR WATERCRAFT**
- (71) Applicant: **Dainuri Paul Rott**, Redwood City, CA (US)
- (72) Inventors: **Robert Hanson**, Alameda, CA (US);
Jeffrey P. Georgette, San Carlos, CA (US); **Zaw Aung**, Daly City, CA (US);
Dainuri Rott, Redwood City, CA (US);
Merrill Snell, Redwood City, CA (US)
- (73) Assignee: **Dainuri Paul Rott**, Redwood City, CA (US)

D291,881 S *	9/1987	Koushiefes	D11/90
4,730,572 A *	3/1988	Hollingsworth	B63B 1/041 114/152
D310,058 S *	8/1990	Thompson	D12/300
D345,957 S *	4/1994	Fleurbay	D12/307
5,331,914 A *	7/1994	Salmons	B63B 35/76 114/125
D357,222 S *	4/1995	Lunter	D12/307
D382,532 S *	8/1997	Hazen	D12/306
6,543,378 B1 *	4/2003	Johnson, Sr.	B63B 35/73 114/345
6,962,124 B1 *	11/2005	North	B63B 1/041 114/346
8,047,886 B1 *	11/2011	McLarty	B63B 7/06 114/346

(Continued)

(**) Term: **15 Years**

(21) Appl. No.: **29/612,364**

(22) Filed: **Jul. 31, 2017**

(51) **LOC (13) Cl.** **12-06**

(52) **U.S. Cl.**
USPC **D12/300**; D12/316

(58) **Field of Classification Search**
USPC D12/300, 301, 303, 316, 317, 318;
D21/801, 803, 808, 810
CPC B63B 1/041; B63B 35/73; B63B 35/731;
B63B 35/76; B63B 7/06; B63B 7/08
See application file for complete search history.

(56) **References Cited**

U.S. PATENT DOCUMENTS

2,826,163 A *	3/1958	King	B63B 1/041 114/57
3,279,417 A *	10/1966	Moore	B63B 1/041 114/55.56
3,452,698 A *	7/1969	Wilson	B63B 1/041 114/271
3,974,535 A *	8/1976	Guanzini	B63B 1/041 114/346
D284,074 S *	6/1986	Hooper	D12/308

OTHER PUBLICATIONS

SipaBoards (undated).
NORAS Performance U-Safe (undated).
BigShot IdroDisk (undated).

Primary Examiner — Cynthia M. Chin

(74) *Attorney, Agent, or Firm* — Andrew Kenny

(57) **CLAIM**

The ornamental design for a dual-motor watercraft, as shown and described.

DESCRIPTION

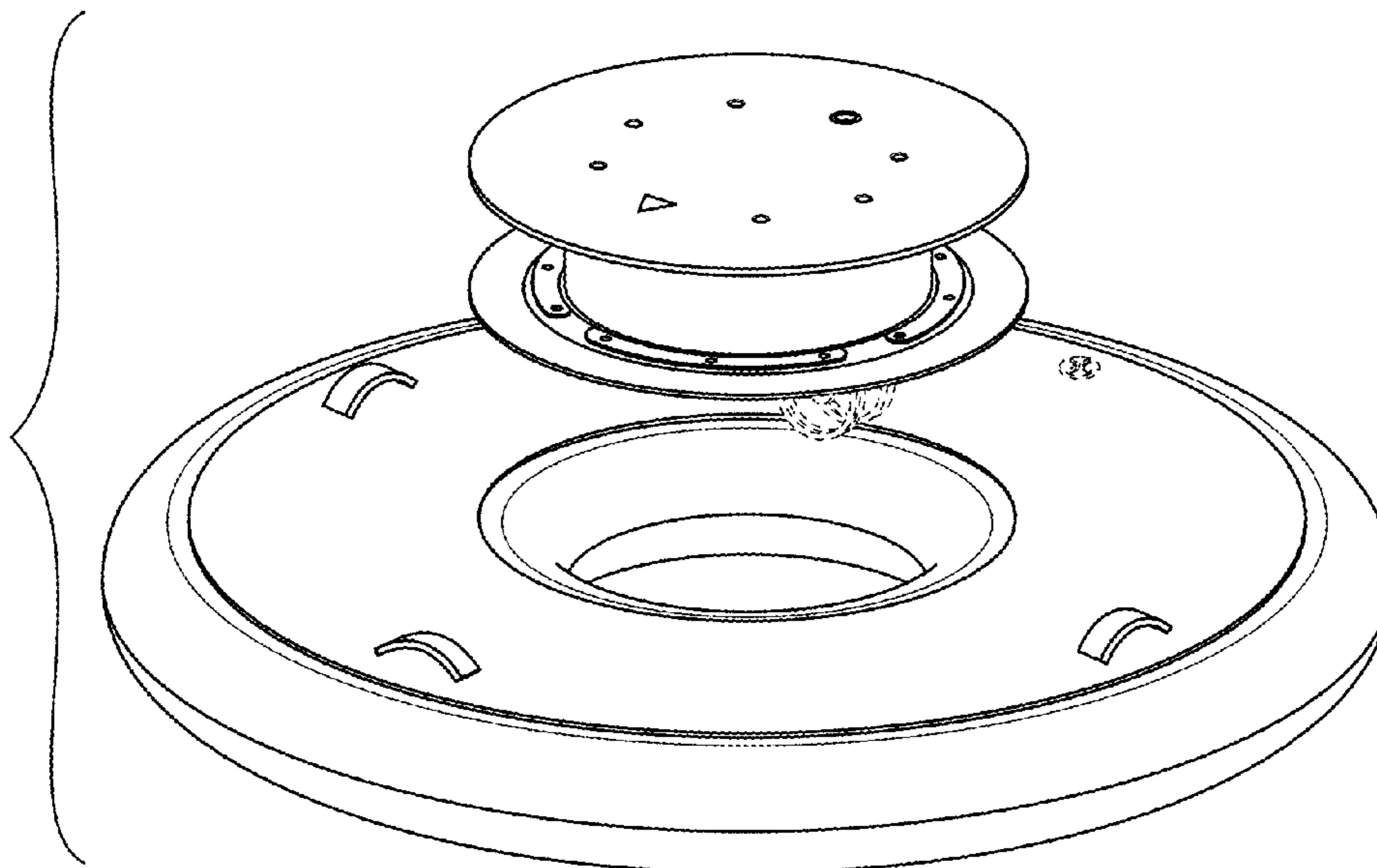
FIG. 1 is a top perspective view of the dual-motor watercraft.

FIG. 2 is a top view of the dual-motor watercraft.

FIG. 3 is an exploded perspective view of the two components of the dual-motor watercraft, hull and insert; and, FIG. 4 is a section view of the dual-motor watercraft taken in the direction of line 4-4 in FIG. 2.

The broken lines are for the purpose of illustrating portions of the watercraft that form no part of the claimed design.

1 Claim, 4 Drawing Sheets



(56)

References Cited

U.S. PATENT DOCUMENTS

8,056,494 B1 * 11/2011 Shalley B63B 7/08
114/346
D701,160 S * 3/2014 Boon D12/300
8,789,487 B2 * 7/2014 Lizzio B63B 35/731
114/346
9,540,073 B1 * 1/2017 Foucher B63B 1/041
D793,487 S * 8/2017 Brigham, III D21/302
2014/0020612 A1 * 1/2014 Lizzio B63B 35/731
114/55.56

* cited by examiner

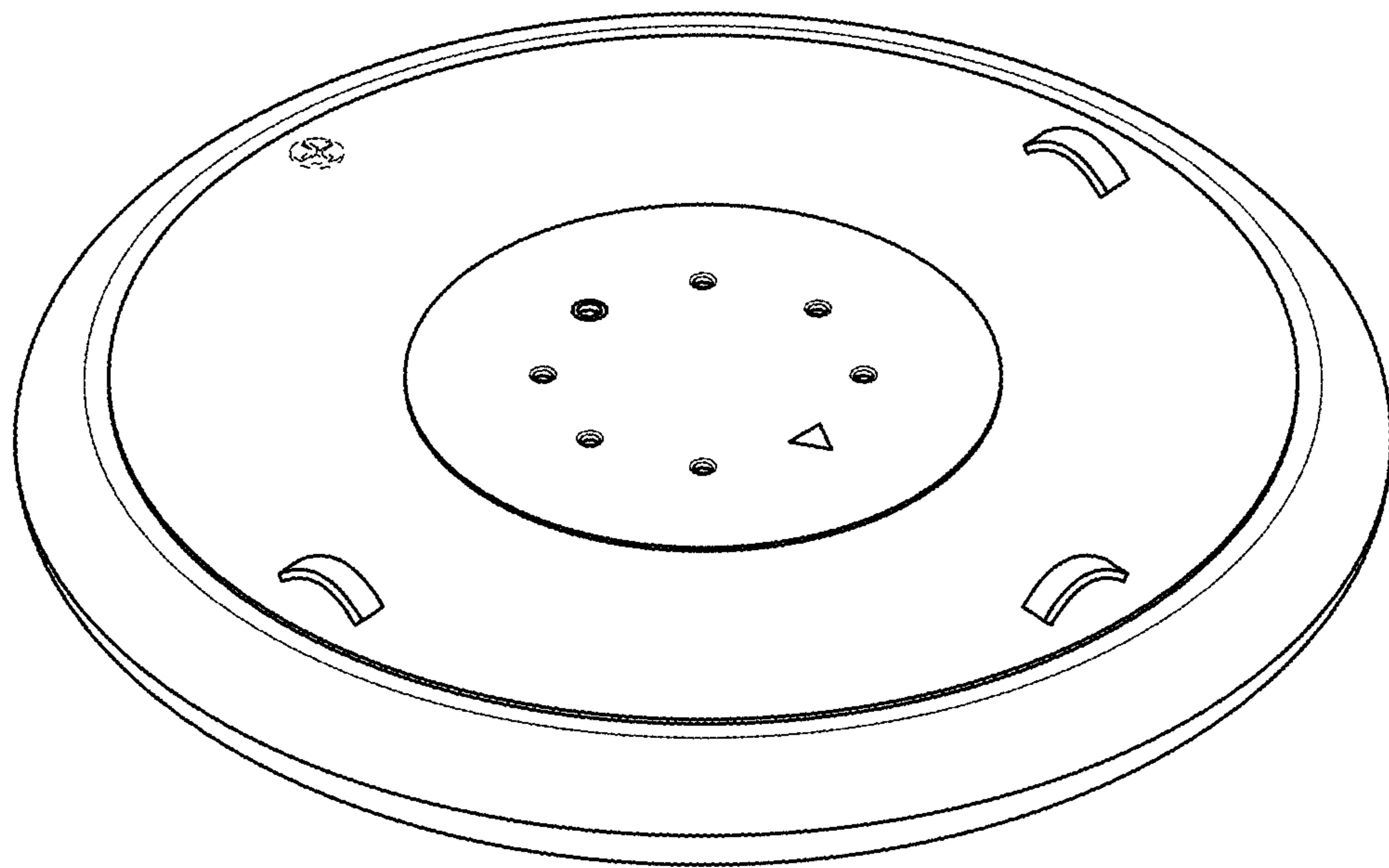


FIG. 1

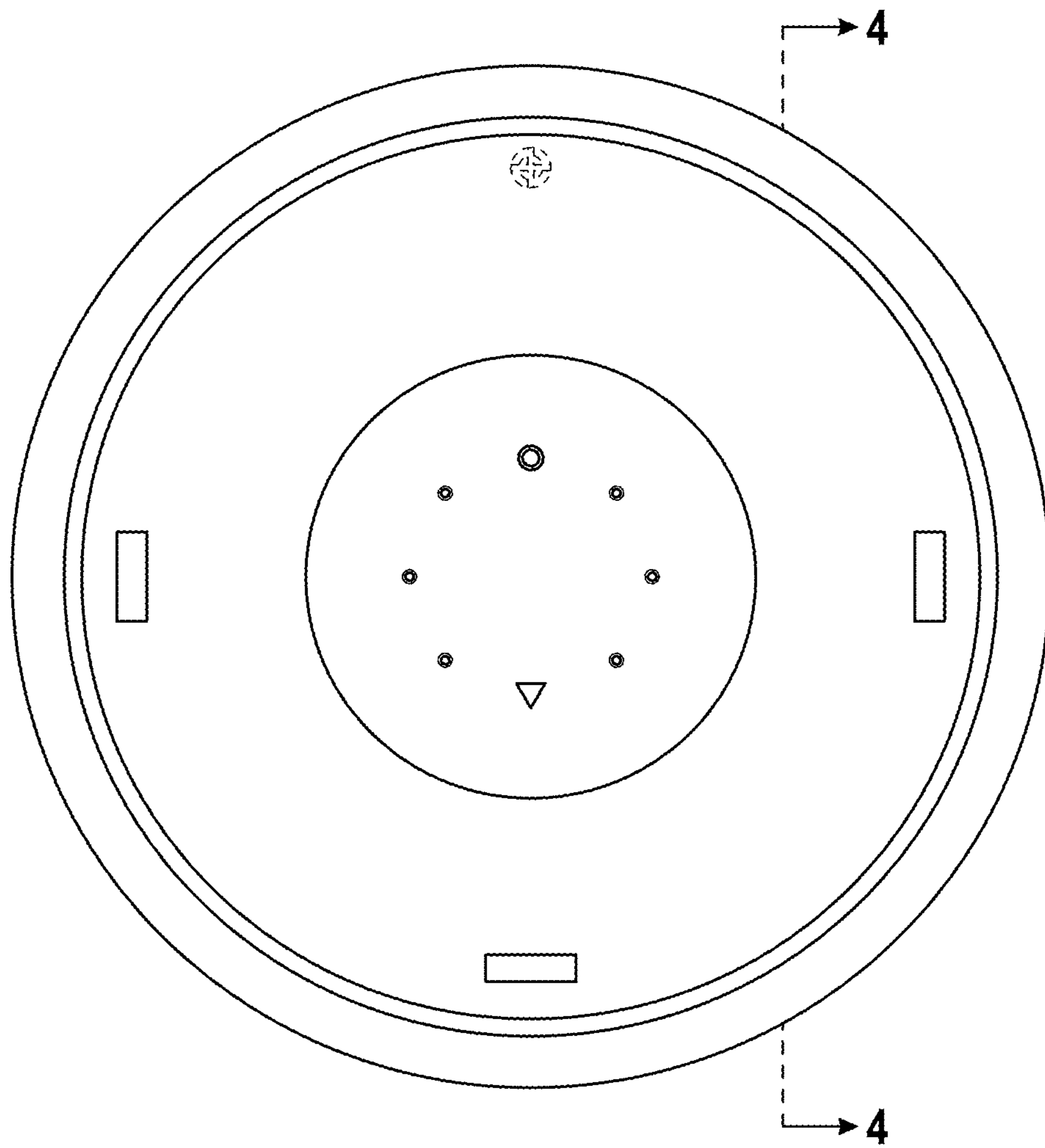


FIG. 2

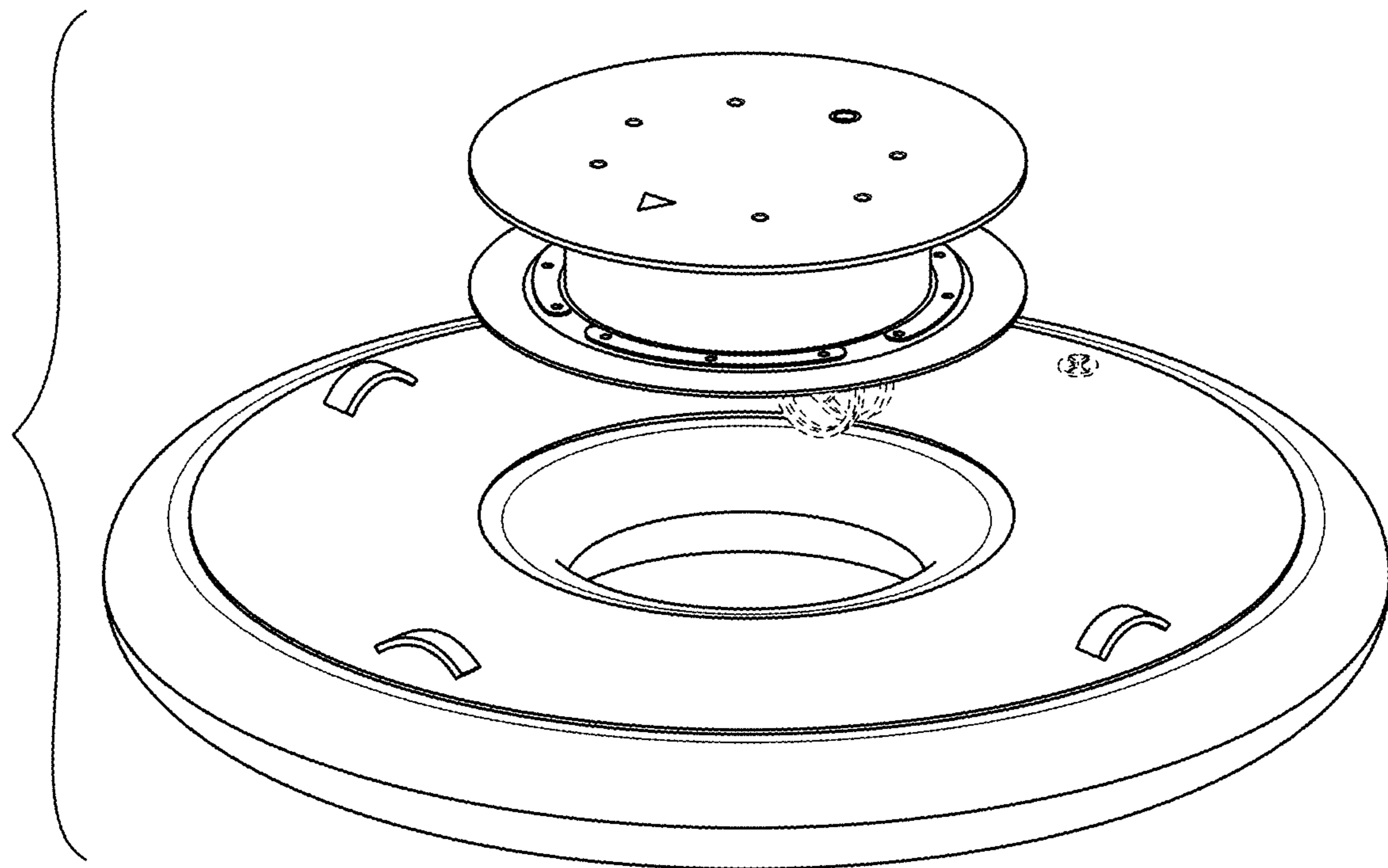


FIG. 3

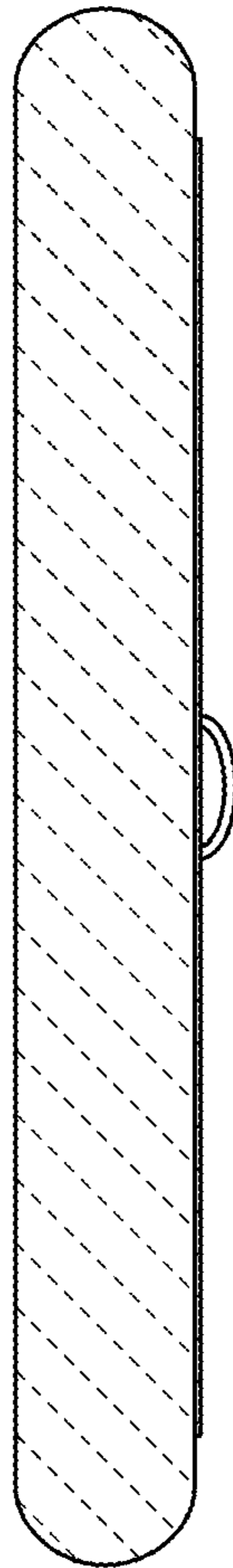


FIG. 4