



US00D934768S

(12) **United States Design Patent** (10) **Patent No.:** **US D934,768 S**
Rogers (45) **Date of Patent:** **** Nov. 2, 2021**

(54) **LADDER FOR A VEHICLE**
(71) Applicant: **Jaguar Land Rover Limited**, Coventry (GB)
(72) Inventor: **Mathew Rogers**, Coventry (GB)
(73) Assignee: **JAGUAR LAND ROVER LIMITED**, Whitley Coventry (GB)

(**) Term: **15 Years**
(21) Appl. No.: **29/716,798**
(22) Filed: **Dec. 12, 2019**

(30) **Foreign Application Priority Data**
Jun. 27, 2019 (EM) 006599734
(51) **LOC (13) Cl.** **12-16**
(52) **U.S. Cl.**
USPC **D12/203; D25/64**
(58) **Field of Classification Search**
USPC **D12/203, 400, 408; D25/62-69**
(Continued)

(56) **References Cited**
U.S. PATENT DOCUMENTS
6,116,378 A * 9/2000 Barrow B60R 3/02
182/127
D442,289 S * 5/2001 Ziaylek, Jr. D25/64
(Continued)

OTHER PUBLICATIONS
“Land Rover Defender” Land Rover., posted date Dec. 1, 2020 [online], [retrieved on May 19, 2021]. Retrieved from the Internet <URL: www.supertweaks.com/land-rover/land-rover-defender-l663/land-rover-defender-l663-exterior-accessories/land-rover-defender-2020-onwards-deployable-roof-ladder-genuine > (Year: 2020).*
(Continued)

Primary Examiner — Darlington Ly

Assistant Examiner — Nasim Abdulaziz Ali
(74) *Attorney, Agent, or Firm* — Reising Ethington P.C.

(57) **CLAIM**
The ornamental design for a ladder for a vehicle, as shown and described.

DESCRIPTION
FIG. 1 is a front and left side perspective view of a ladder for a vehicle embodying my new design;
FIG. 2 is a rear and right side perspective view thereof;
FIG. 3 is a front elevation view thereof;
FIG. 4 is a rear elevation view thereof;
FIG. 5 is a left side elevation view thereof;
FIG. 6 is a right side elevation view thereof;
FIG. 7 is a top plan view thereof;
FIG. 8 is a front and left side elevated perspective view thereof, in a partially deployed configuration;
FIG. 9 is a front and left side perspective view thereof, in a partially deployed configuration;
FIG. 10 is a rear and right side elevated perspective view thereof, in a partially deployed configuration;
FIG. 11 is a rear and right side perspective view thereof, in a partially deployed configuration;
FIG. 12 is a front elevation view thereof, in a partially deployed configuration;
FIG. 13 is a rear elevation view thereof, in a partially deployed configuration;
FIG. 14 is a left side elevation view thereof, in a partially deployed configuration;
FIG. 15 is a right side elevation view thereof, in a partially deployed configuration;
FIG. 16 is a top plan view thereof, in a partially deployed configuration;
FIG. 17 is a bottom plan view thereof, in a partially deployed configuration;
FIG. 18 is a front and left side elevated perspective view thereof, in fully deployed configuration;
FIG. 19 is a front and left side perspective view thereof, in fully deployed configuration;
FIG. 20 is a rear and right side elevated perspective view thereof, in a fully deployed configuration;

(Continued)

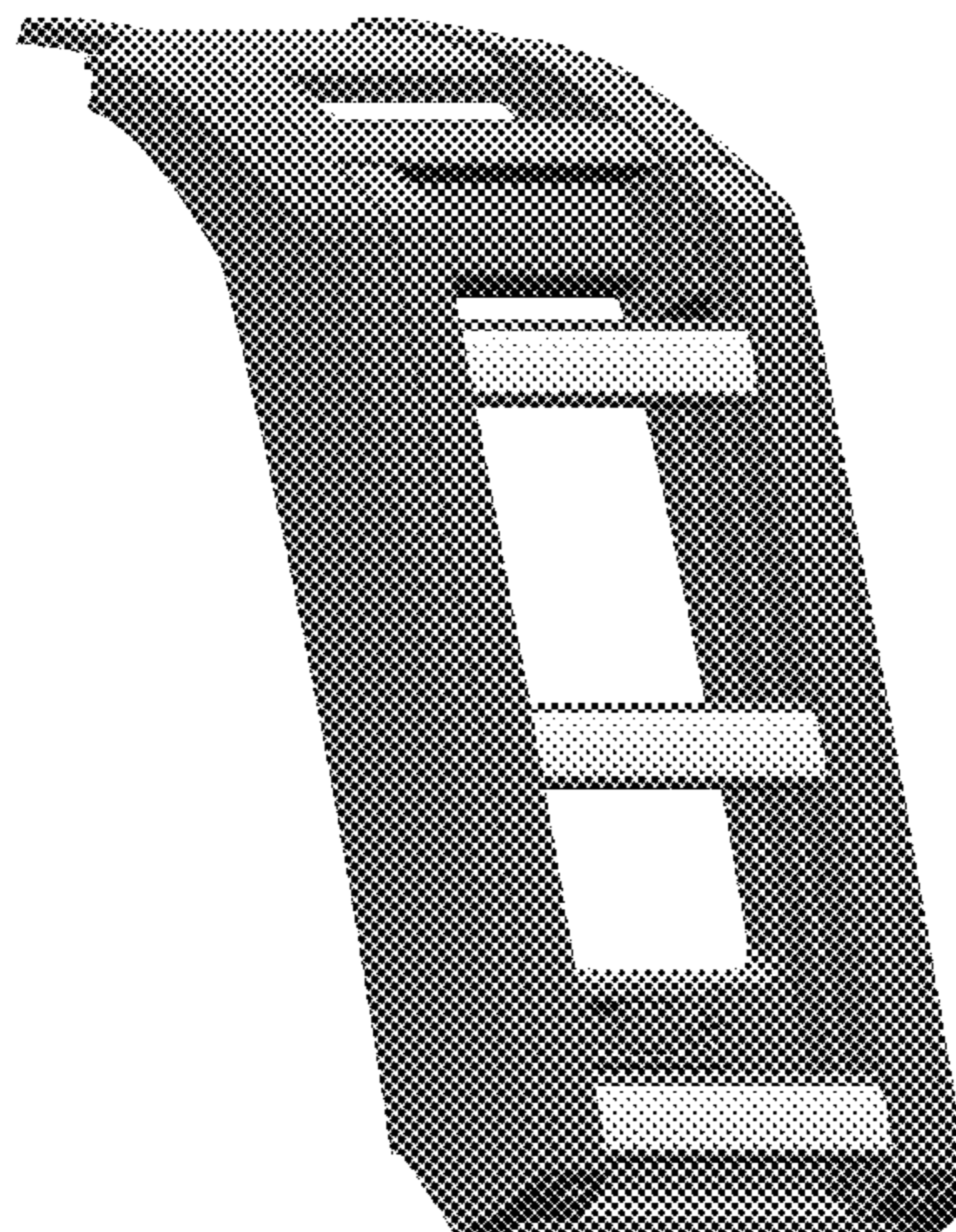


FIG. 21 is a rear and right side perspective view thereof, in a fully deployed configuration;
 FIG. 22 is a front elevation view thereof, in a fully deployed configuration;
 FIG. 23 is a rear elevation view thereof, in a fully deployed configuration;
 FIG. 24 is a left side elevation view thereof, in a fully deployed configuration;
 FIG. 25 is a right side elevation view thereof, in a fully deployed configuration;
 FIG. 26 is a top plan view thereof, in a fully deployed configuration; and,
 FIG. 27 is a bottom plan view thereof, in a fully deployed configuration.

1 Claim, 27 Drawing Sheets

(58) **Field of Classification Search**

CPC E06C 1/36; E06C 5/04; E06C 5/24; B60R 3/005; B63B 27/14

See application file for complete search history.

(56) **References Cited**

U.S. PATENT DOCUMENTS

D479,884 S * 9/2003 Berryman D25/64
 D512,783 S * 12/2005 Badillo D25/64

D549,838 S * 8/2007 Badillo D25/64
 D601,719 S * 10/2009 Gibson D25/64
 D759,841 S * 6/2016 Badillo D25/64
 D812,777 S * 3/2018 Ma D25/64
 D822,851 S * 7/2018 Conner D25/64
 D832,760 S * 11/2018 Annett D12/203
 D845,853 S * 4/2019 Annett D12/203
 D882,119 S * 4/2020 Badillo D25/64
 D906,546 S * 12/2020 Badillo D25/64

OTHER PUBLICATIONS

“Deployable Ladder” Land Rover., posted date Sep. 16, 2020 [online], [retrieved on May 19, 2021]. Retrieved from the Internet <URL: <https://tmdtuning.com/shop/deployable-ladder-90-110/>> (Year: 2020).*

“Land Rover Defender Deployable Roof Ladder” Land Rover., posted date Dec. 19, 2020 [online], [retrieved on May 19, 2021]. Retrieved from the Internet <URL: <https://ragear.com/products/deployable-roof-ladder> > (Year: 2020).*

* cited by examiner



FIG. 1



FIG. 2

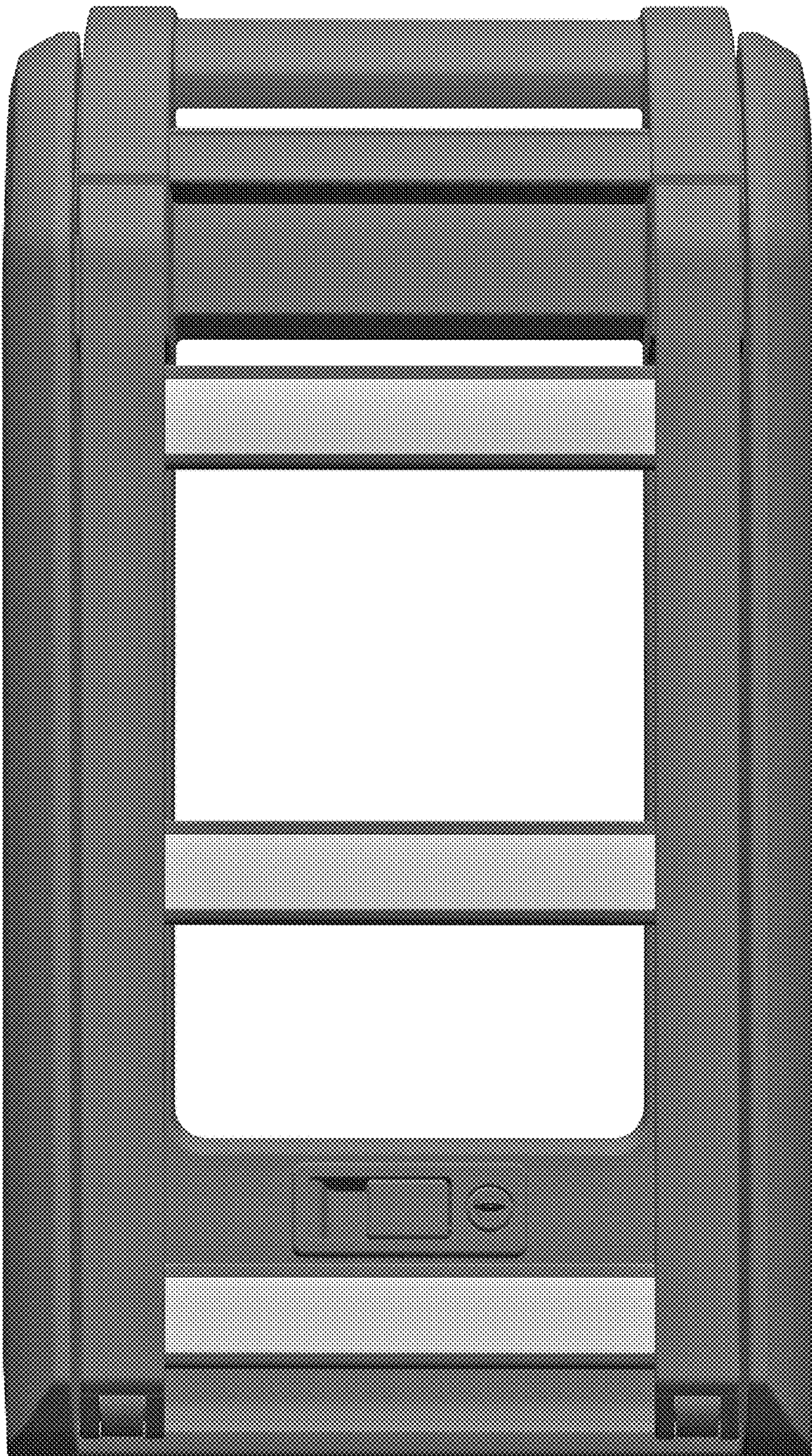


FIG. 3

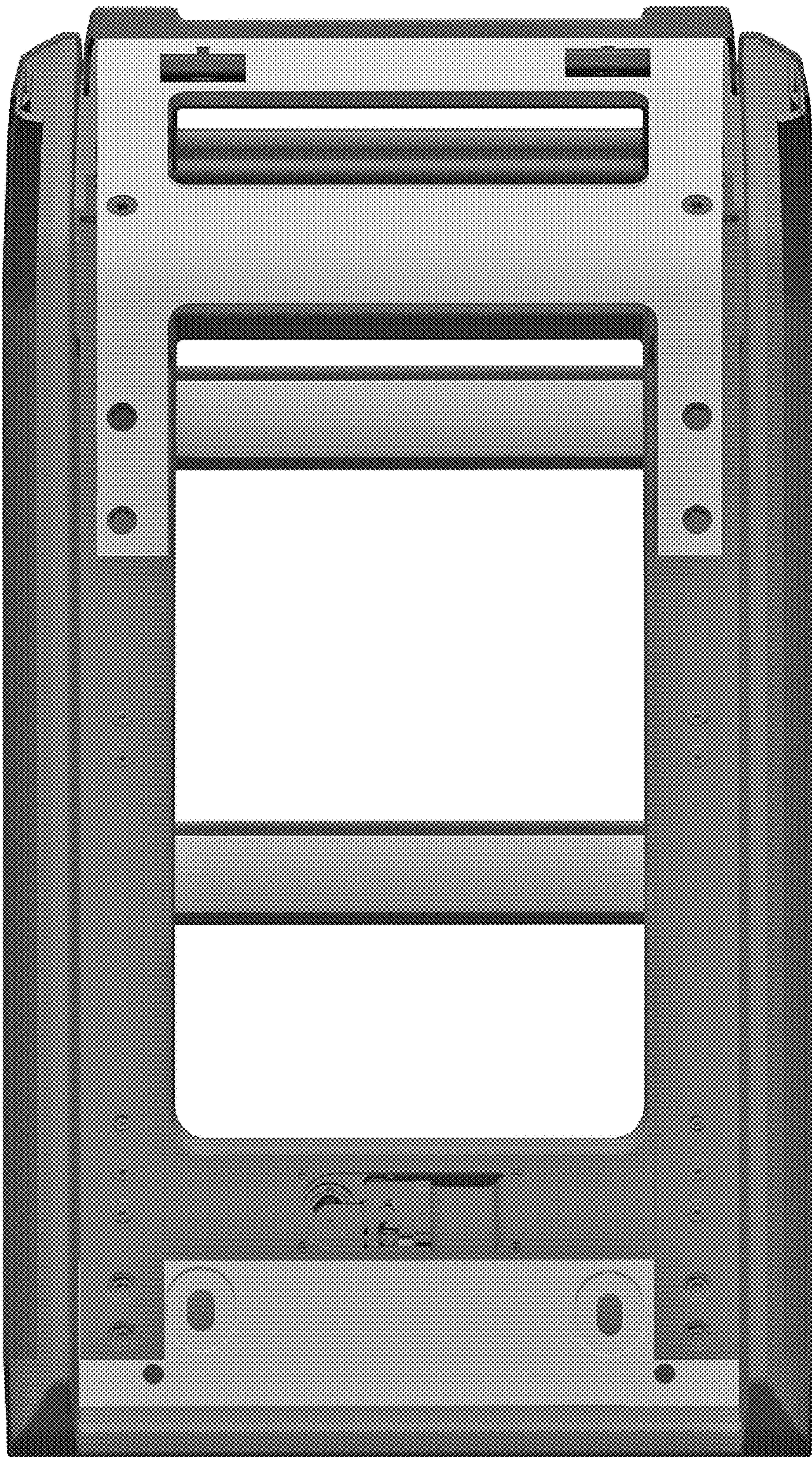


FIG. 4

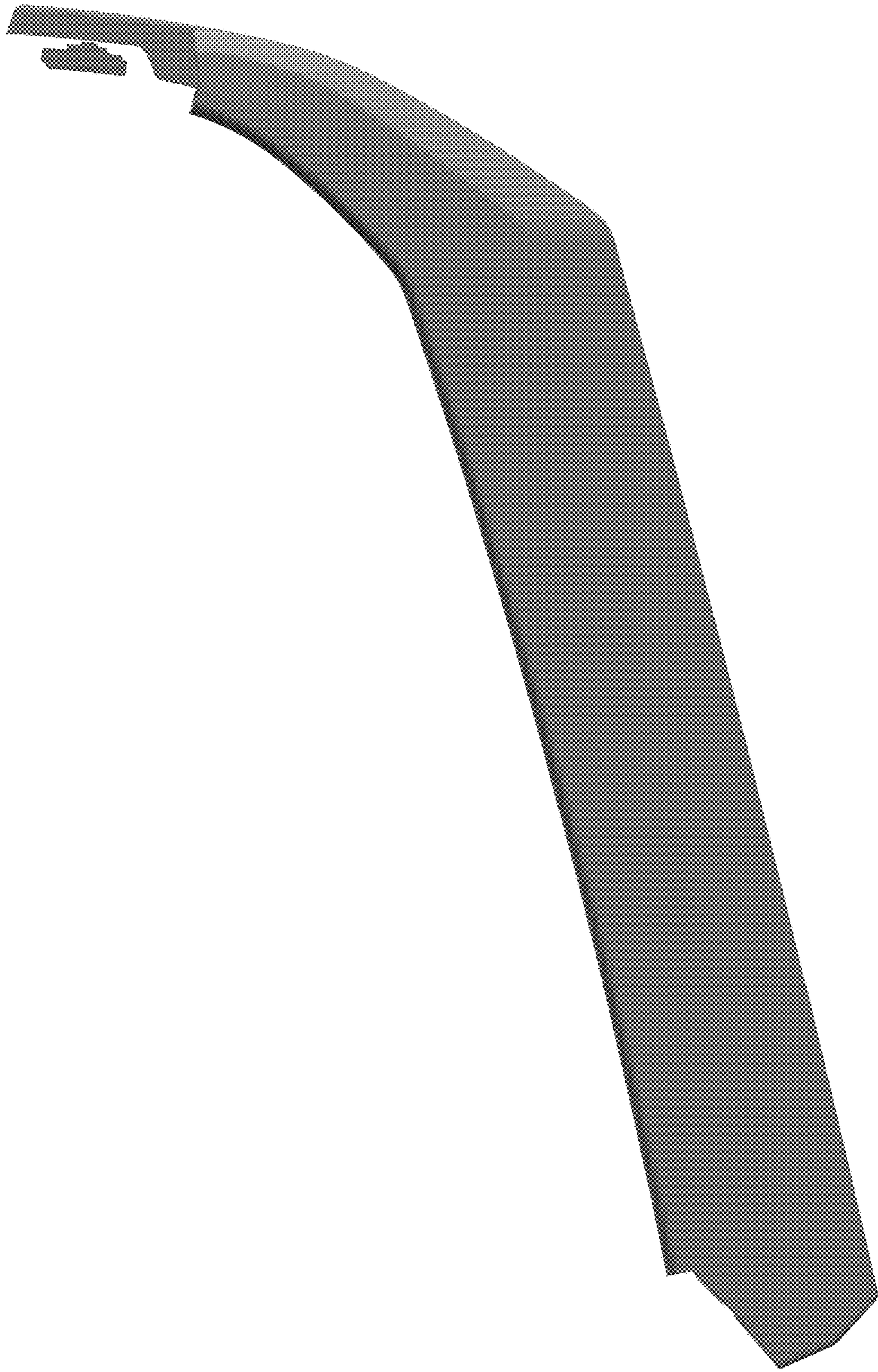


FIG. 5

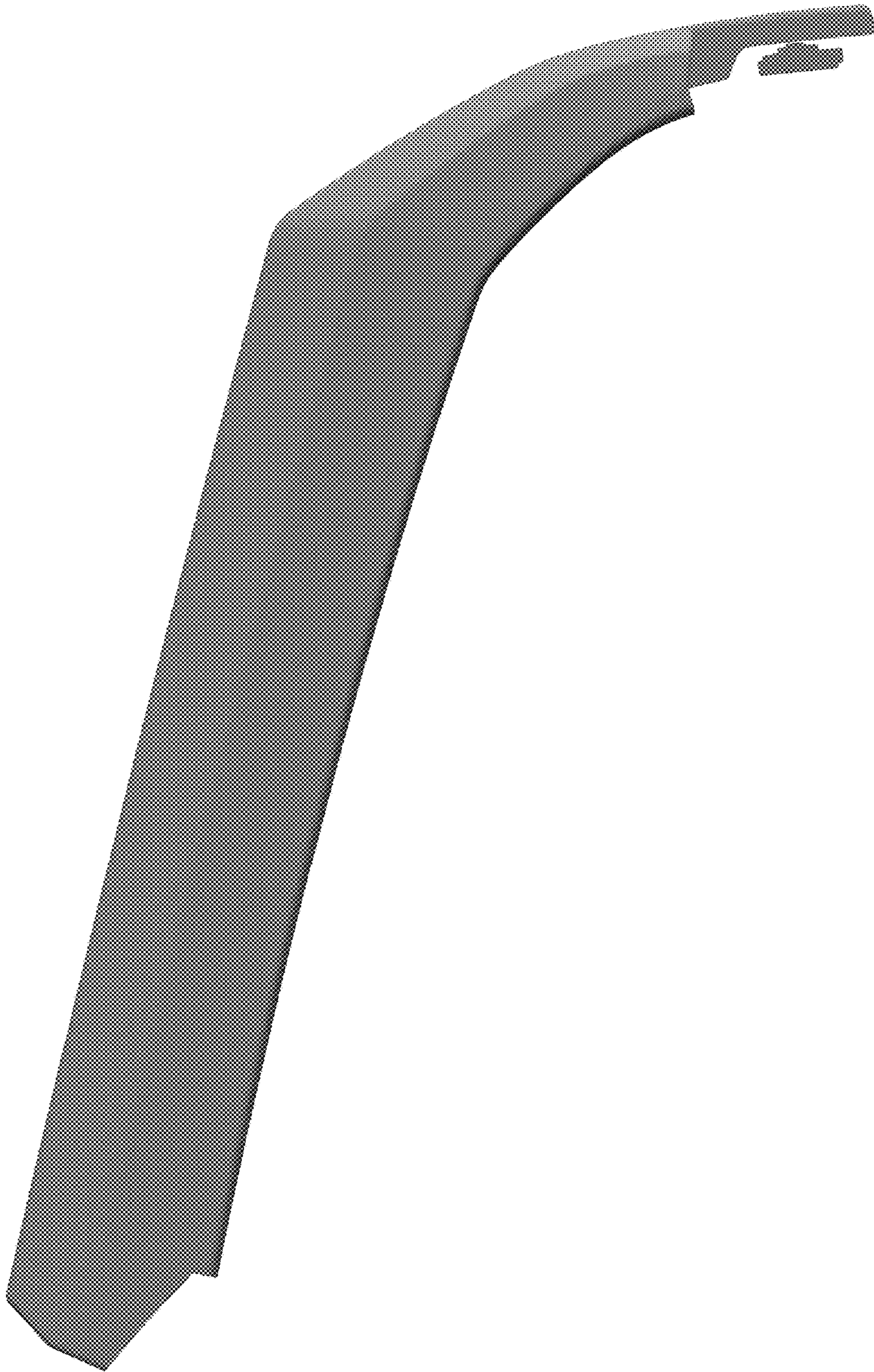


FIG. 6

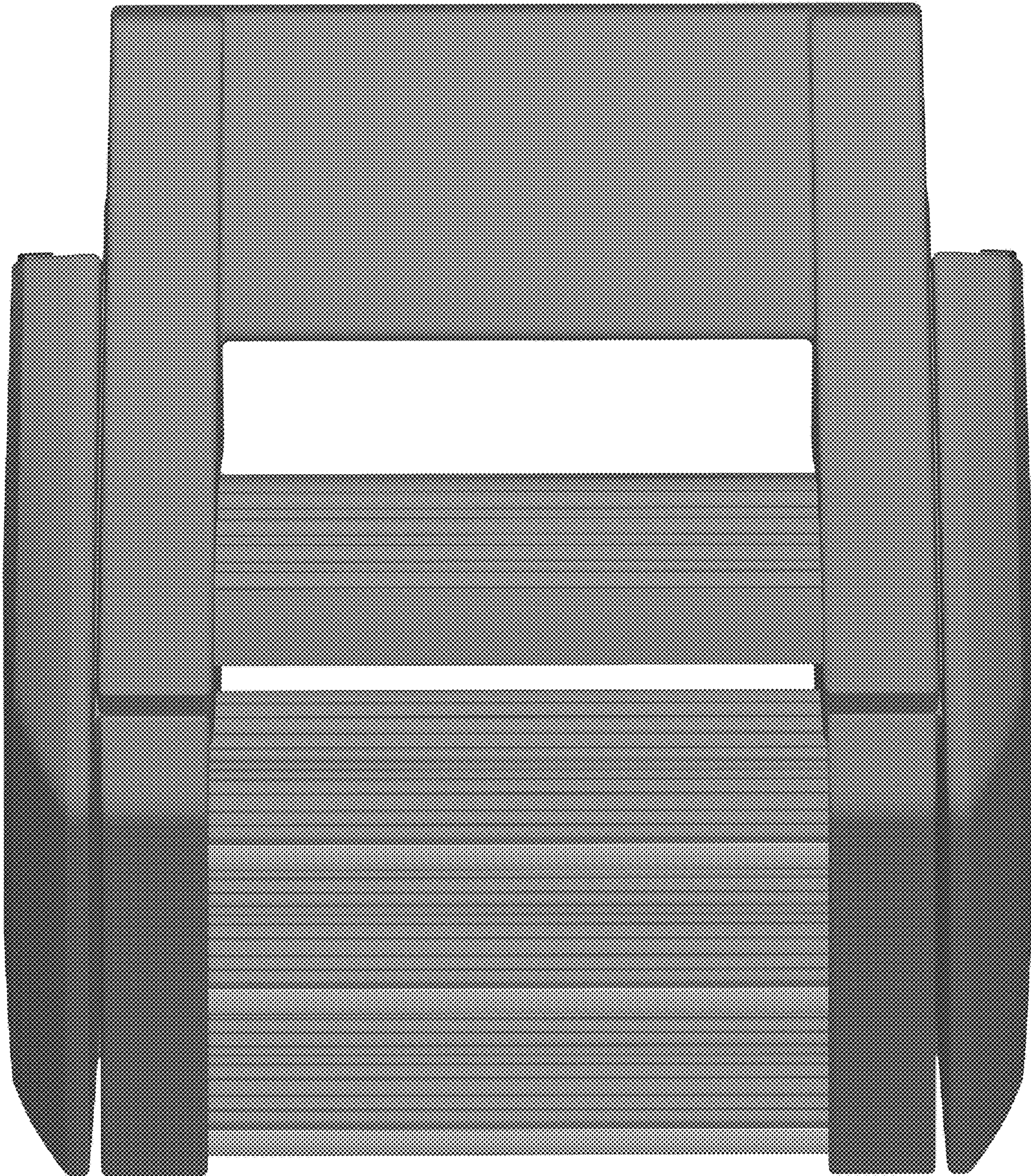


FIG. 7

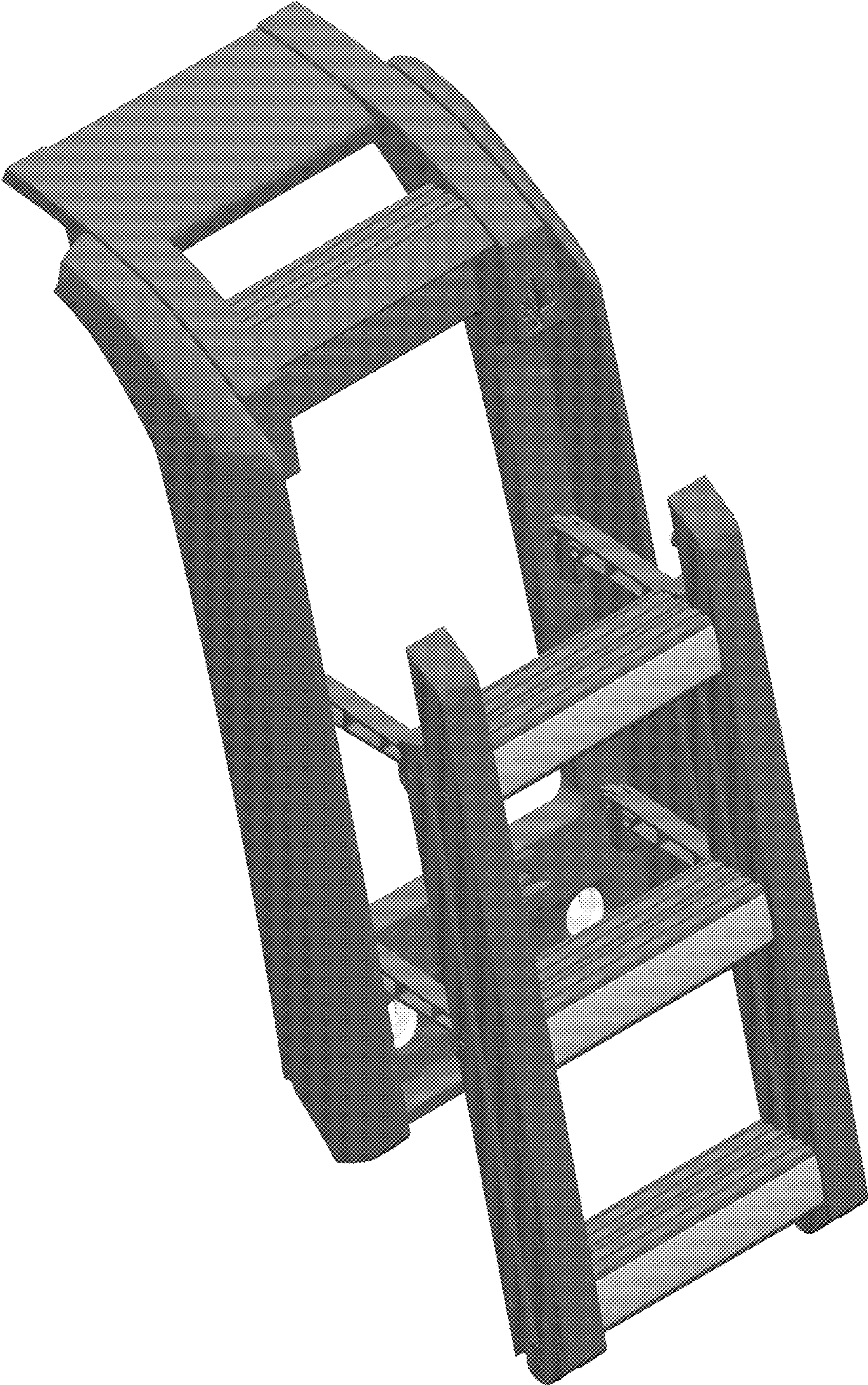


FIG. 8



FIG. 9

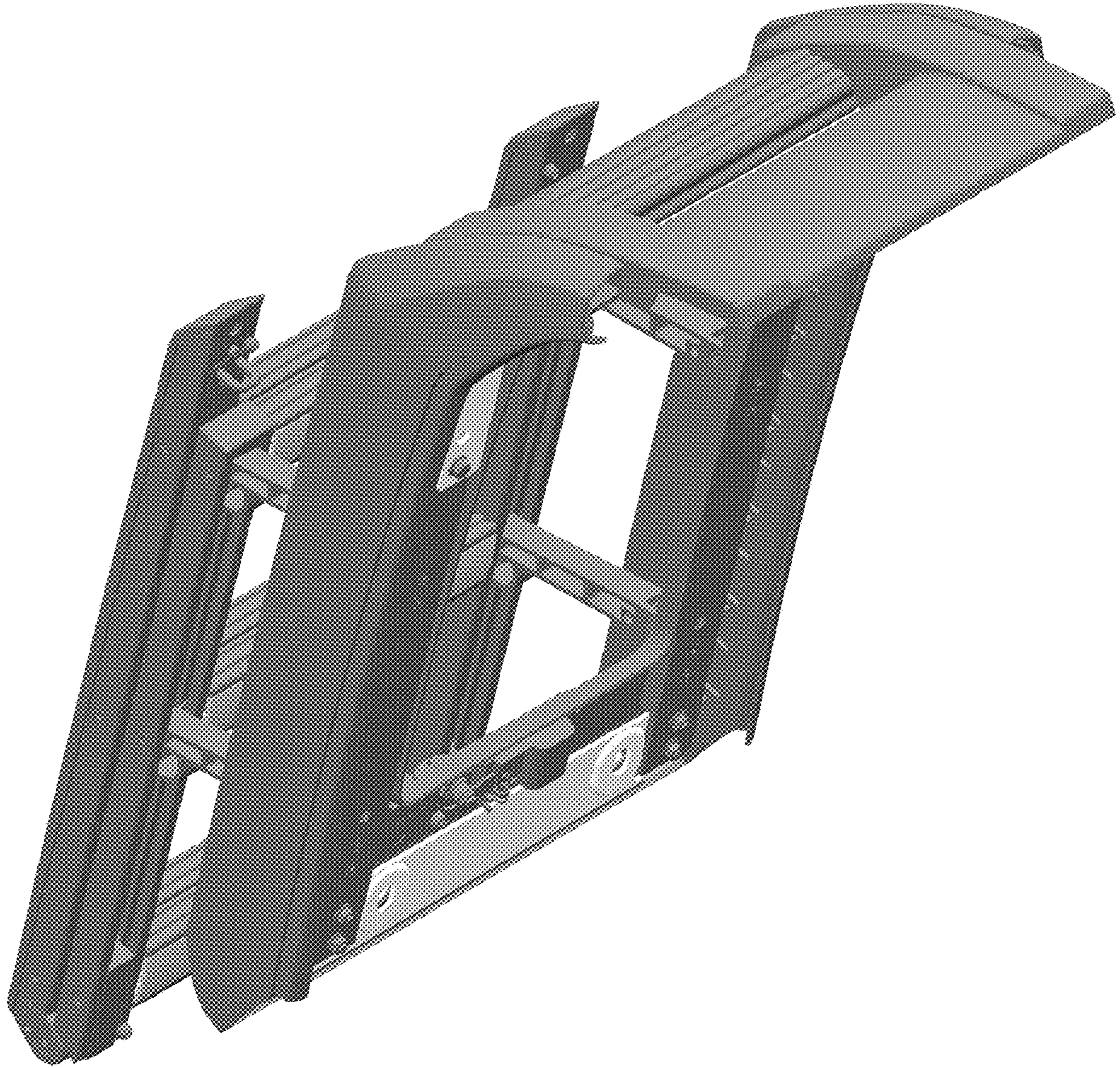


FIG. 10



FIG. 11

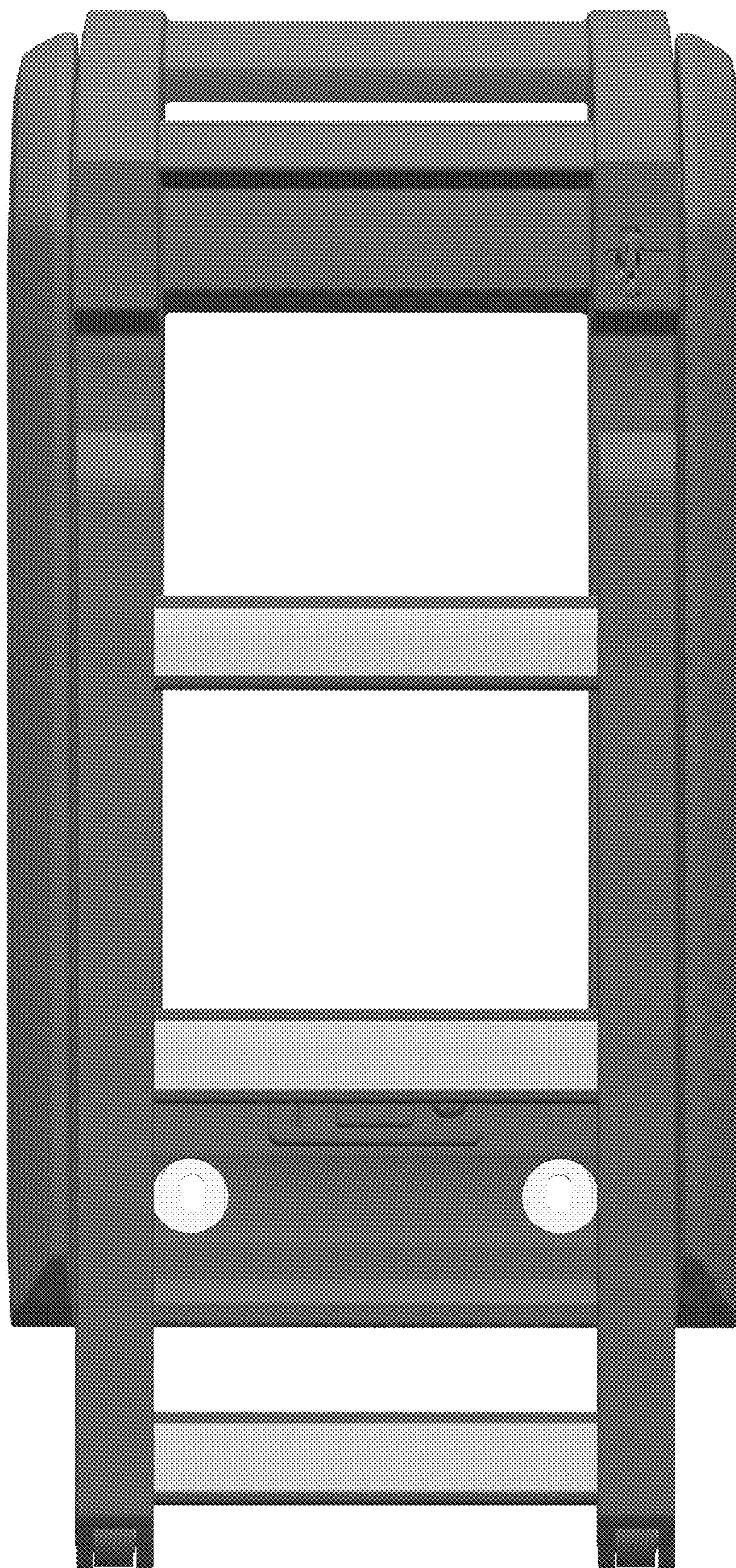


FIG. 12

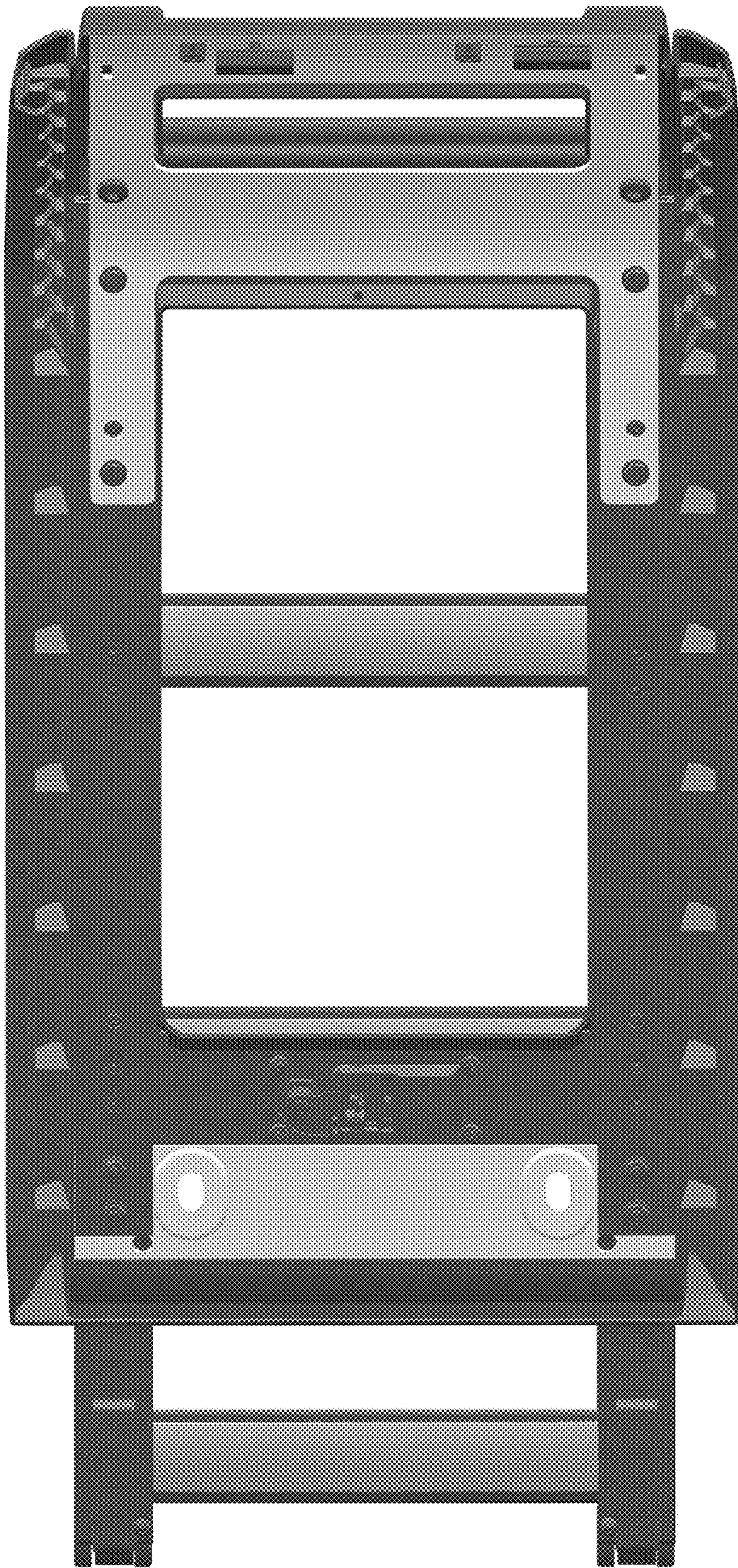


FIG. 13

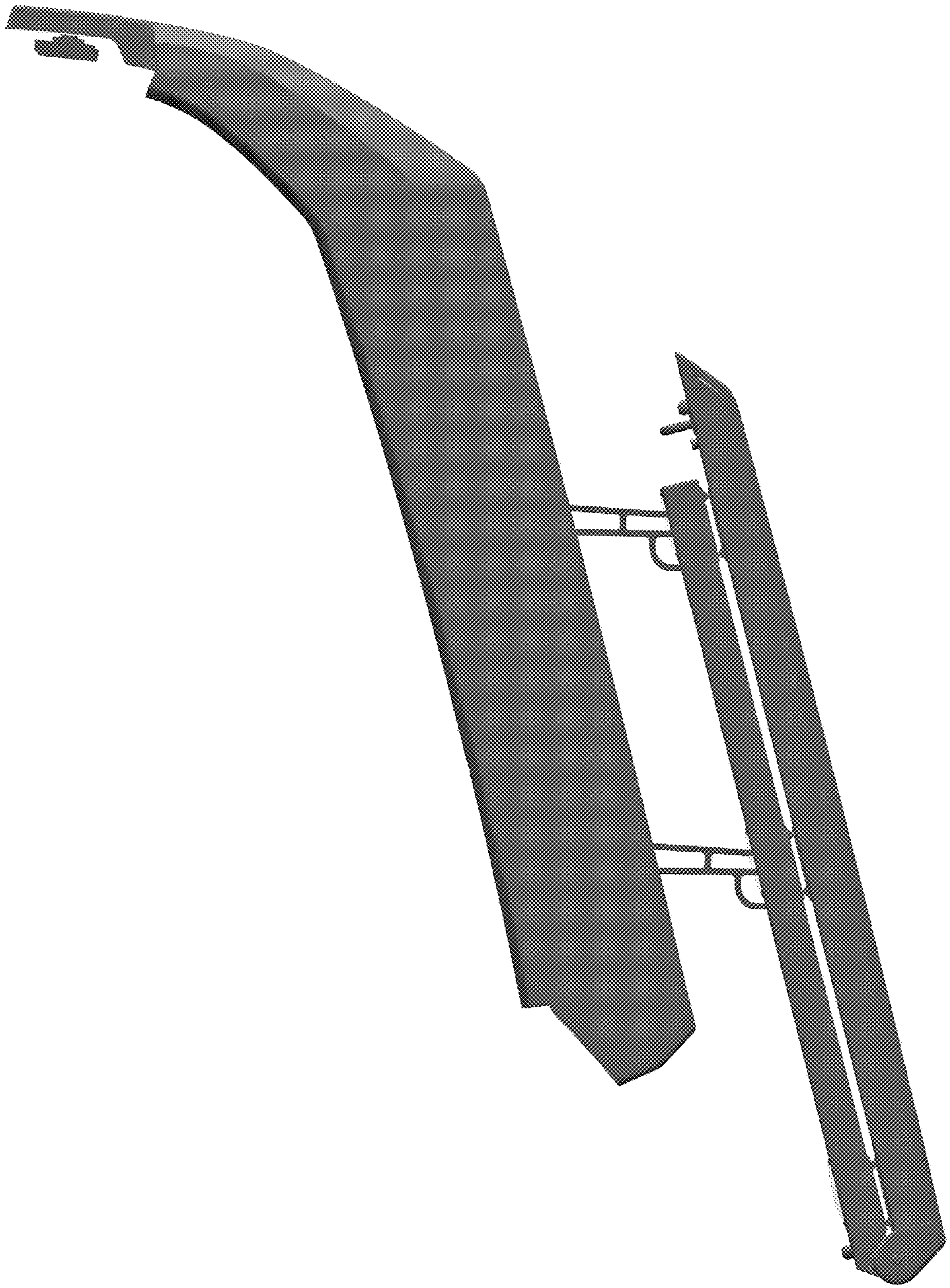


FIG. 14

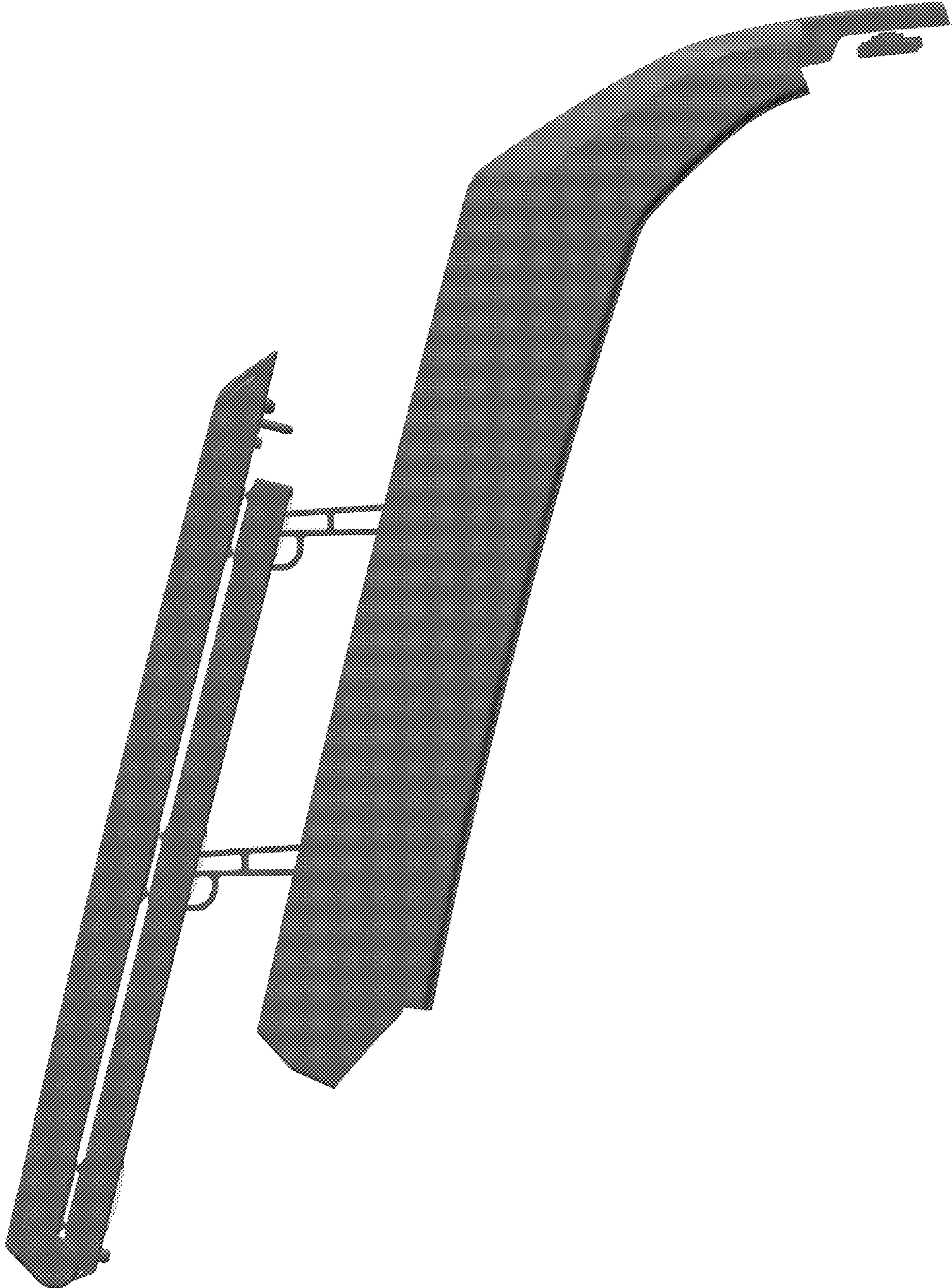


FIG. 15

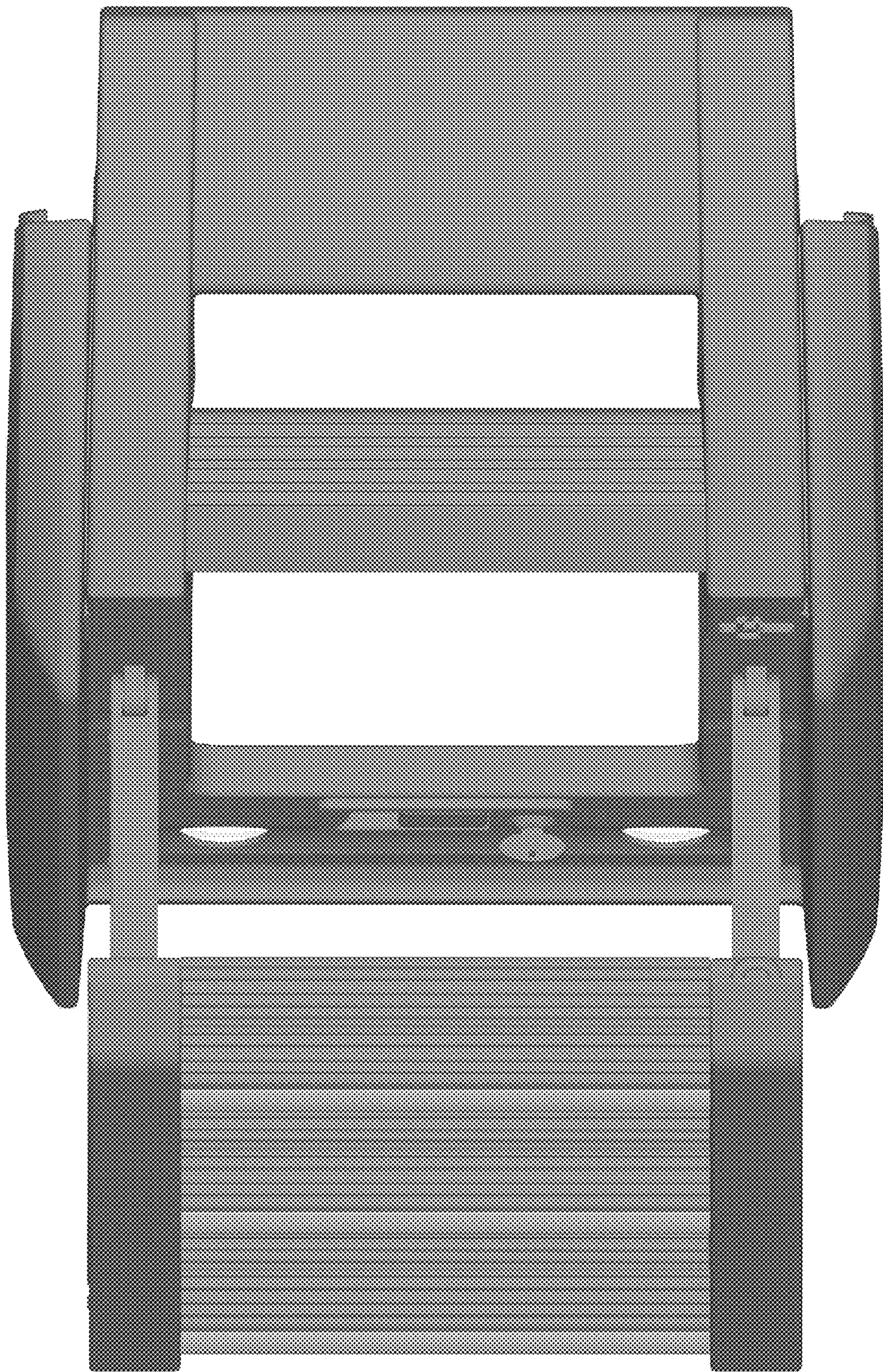


FIG. 16

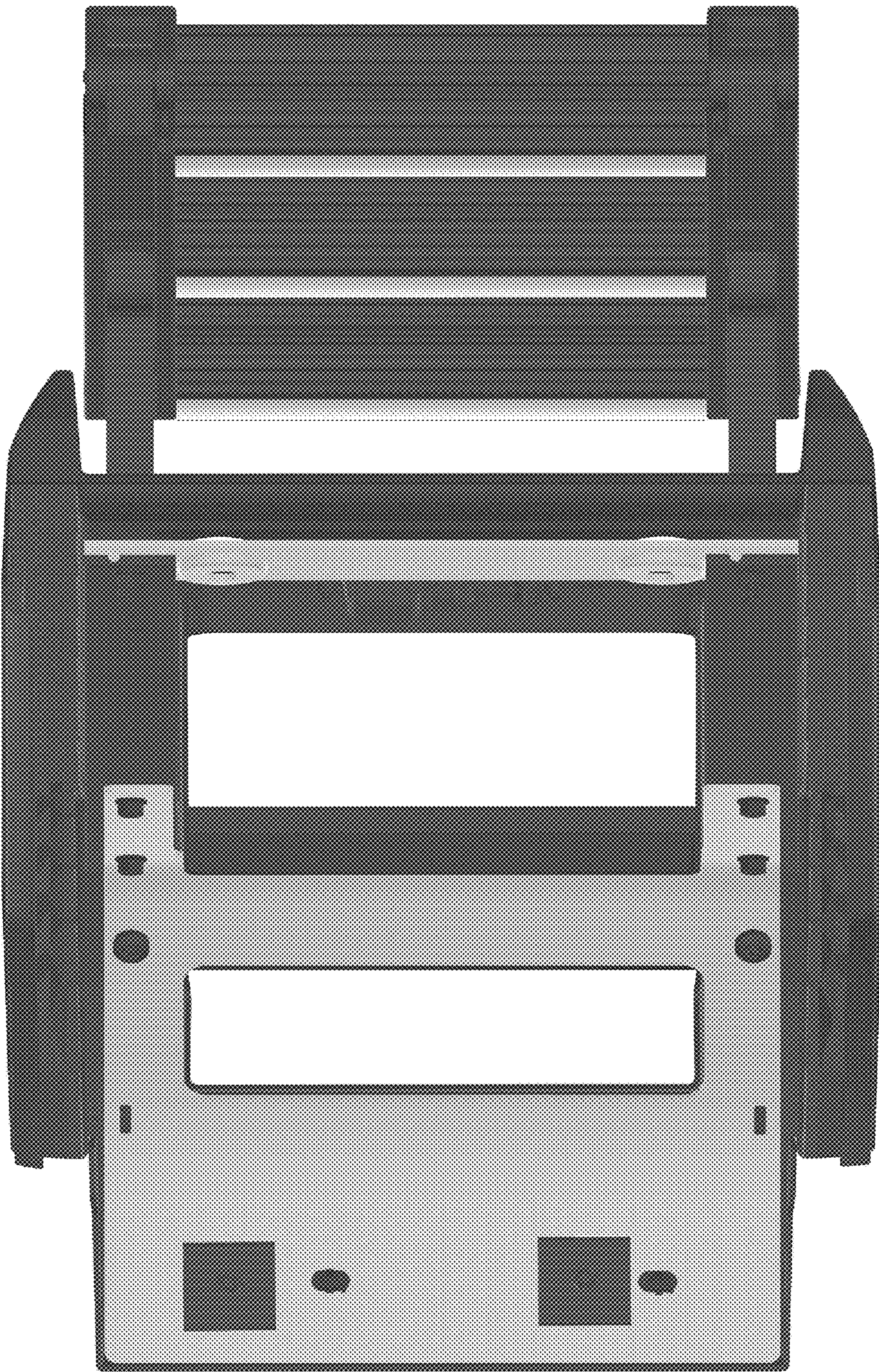


FIG. 17

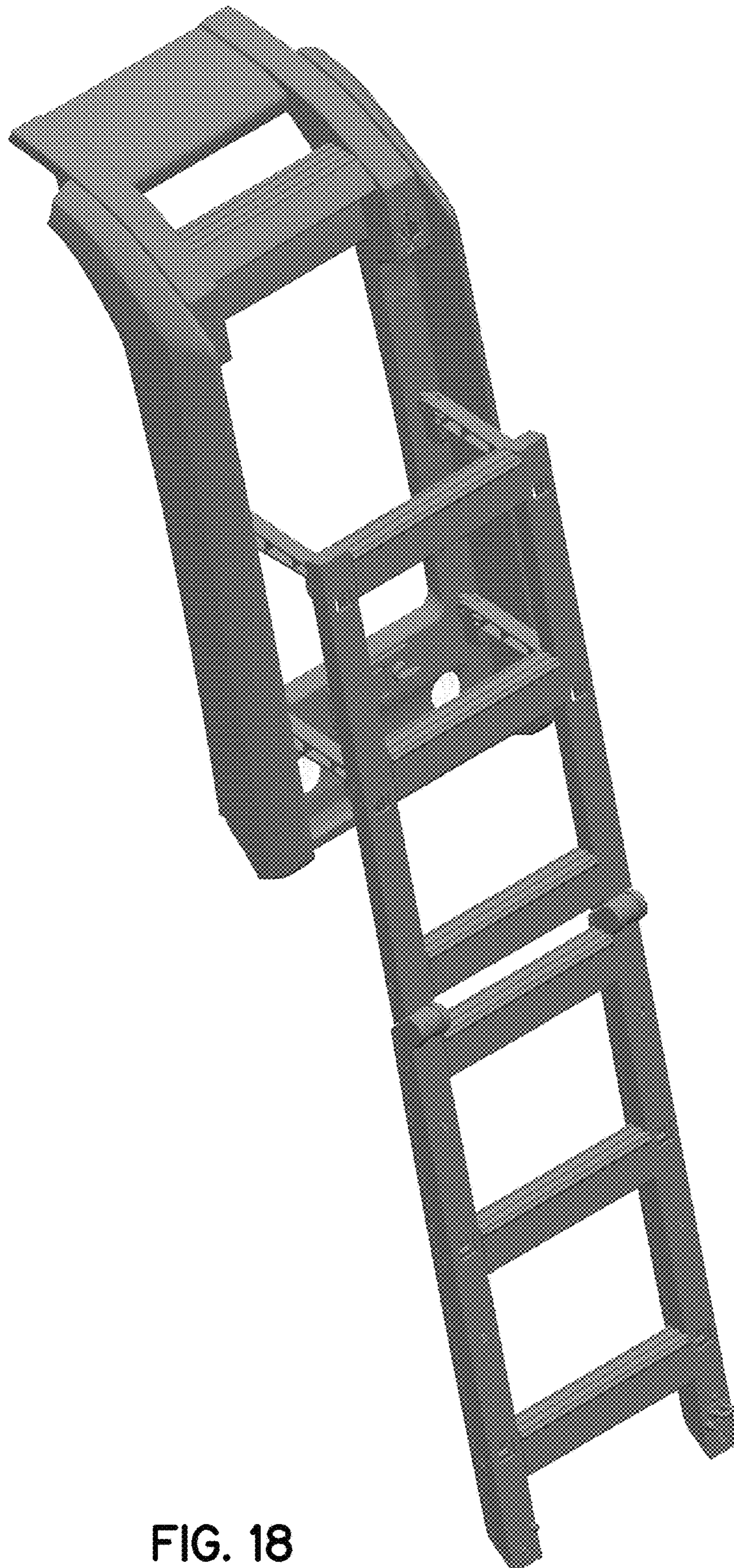


FIG. 18



FIG. 19



FIG. 20



FIG. 21

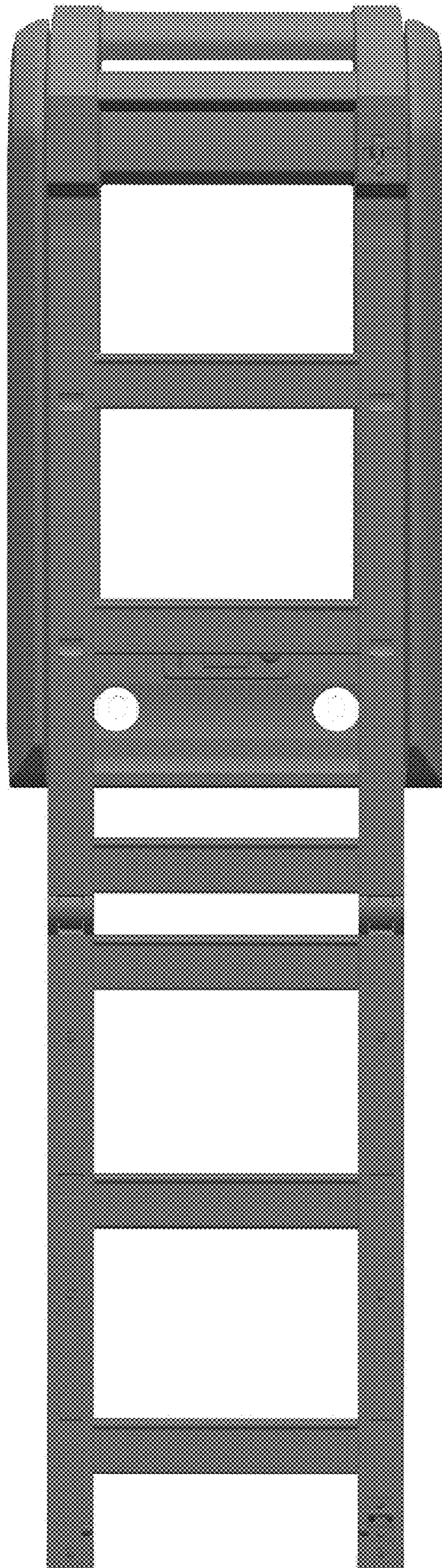


FIG. 22

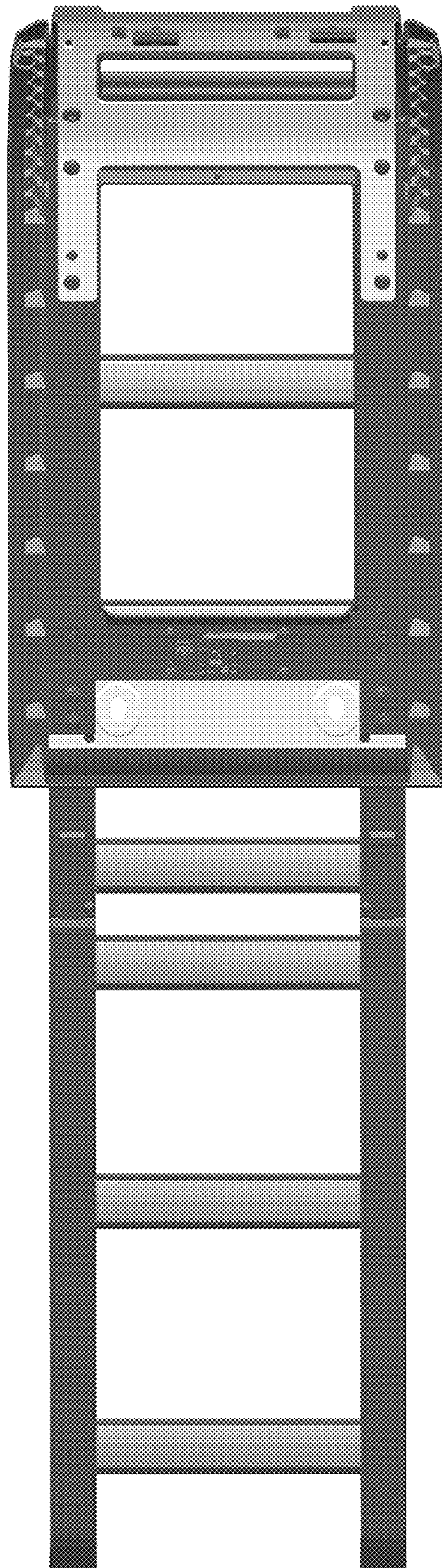


FIG. 23

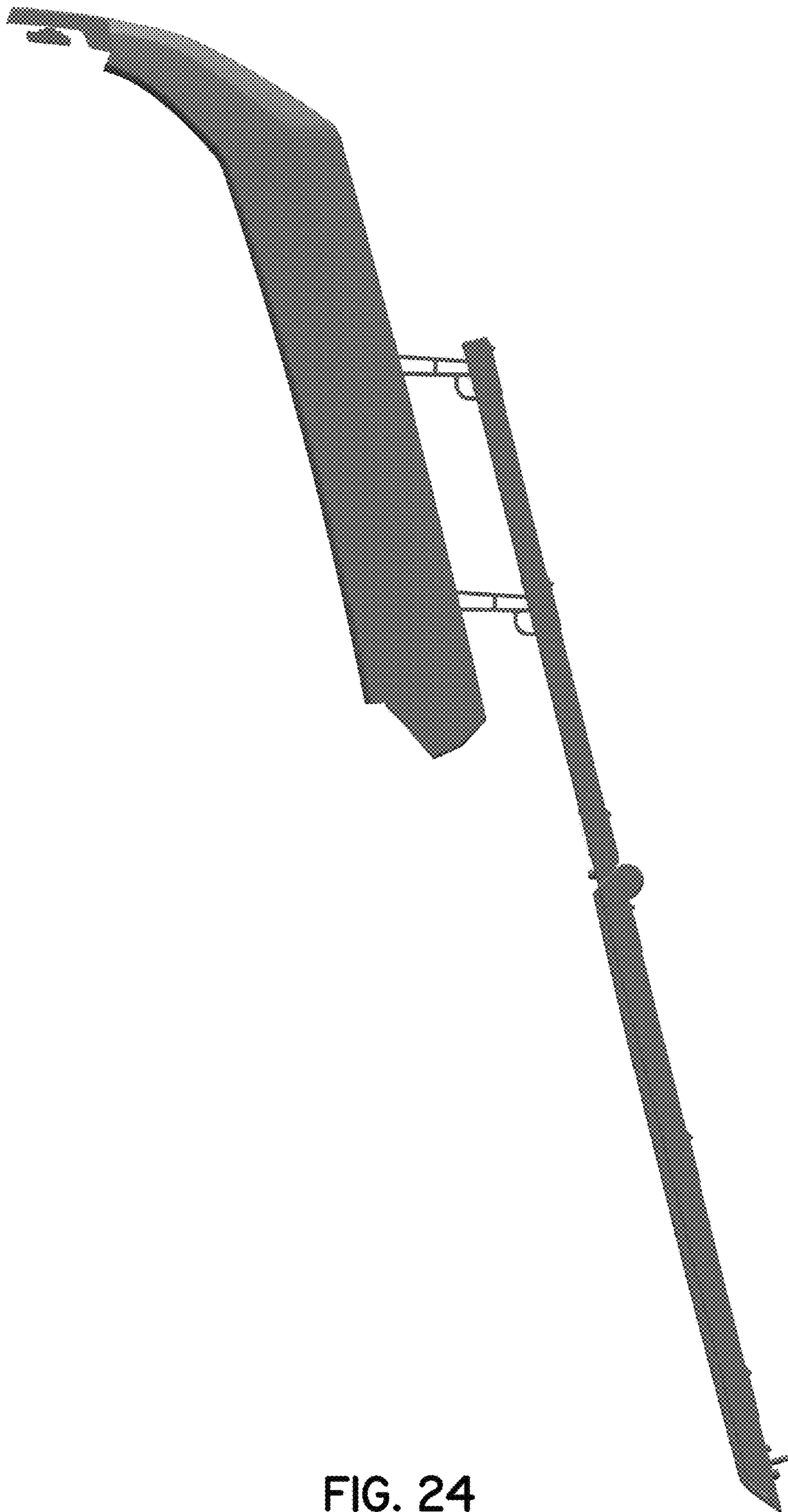


FIG. 24

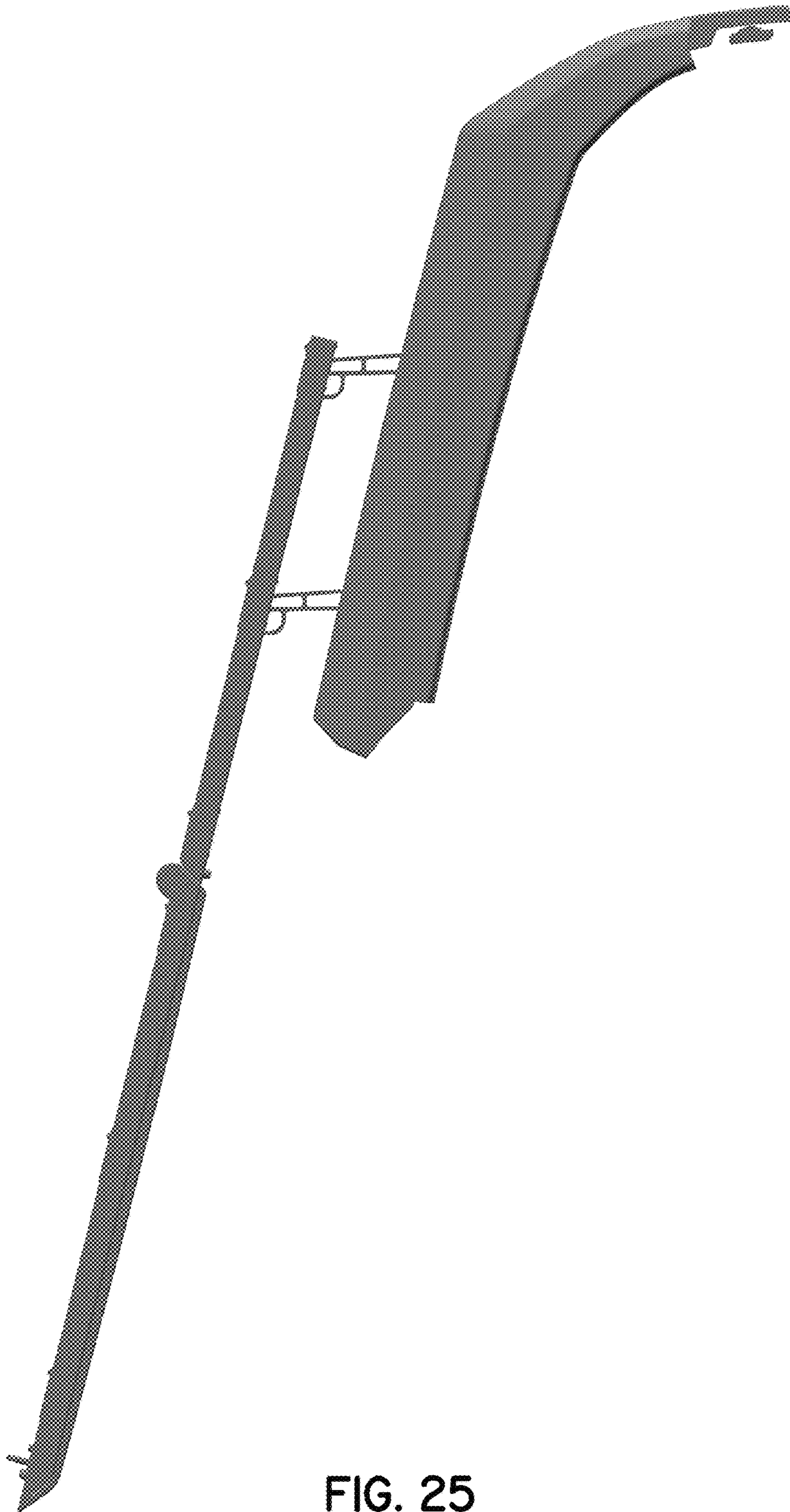


FIG. 25

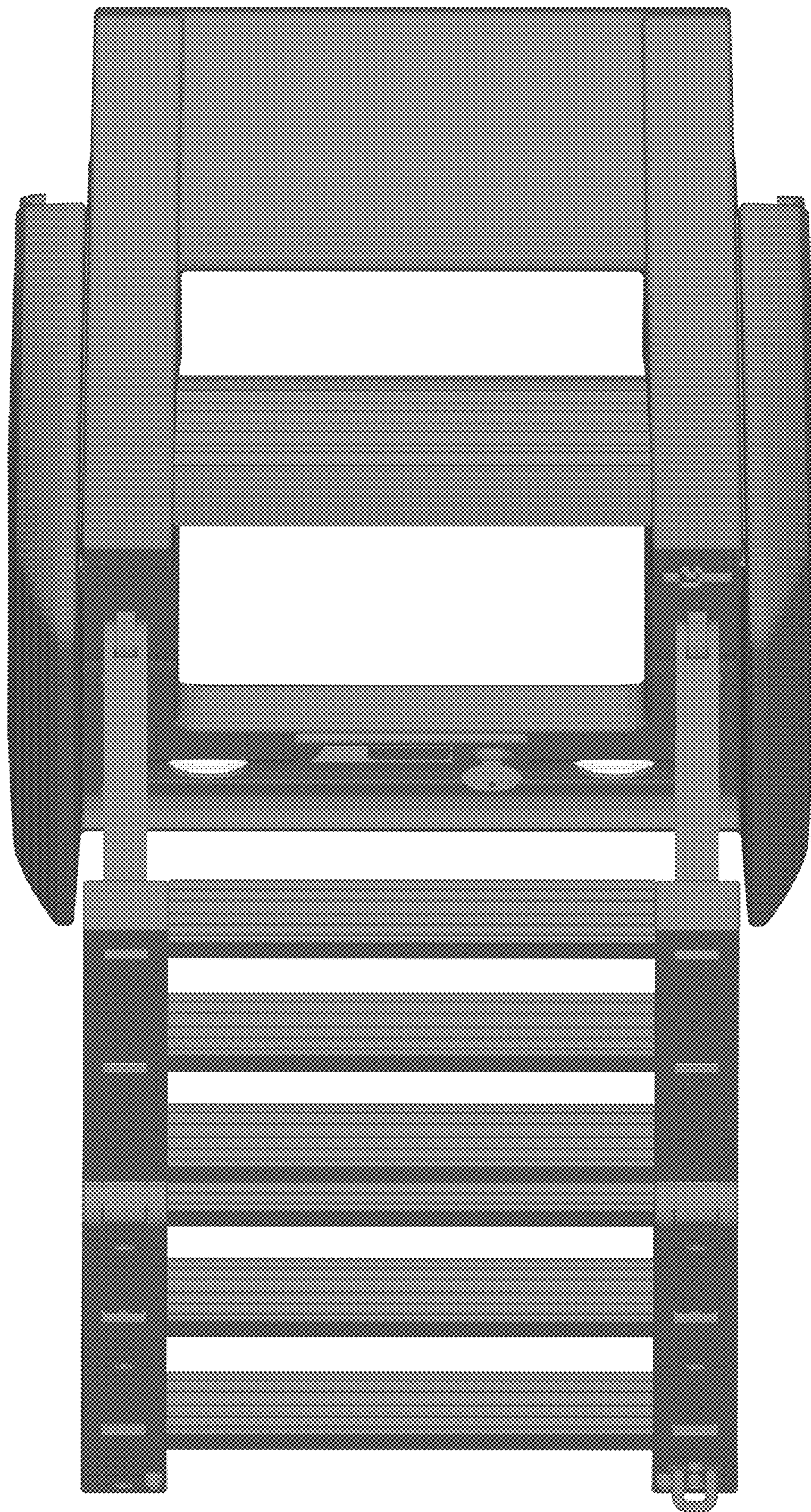


FIG. 26

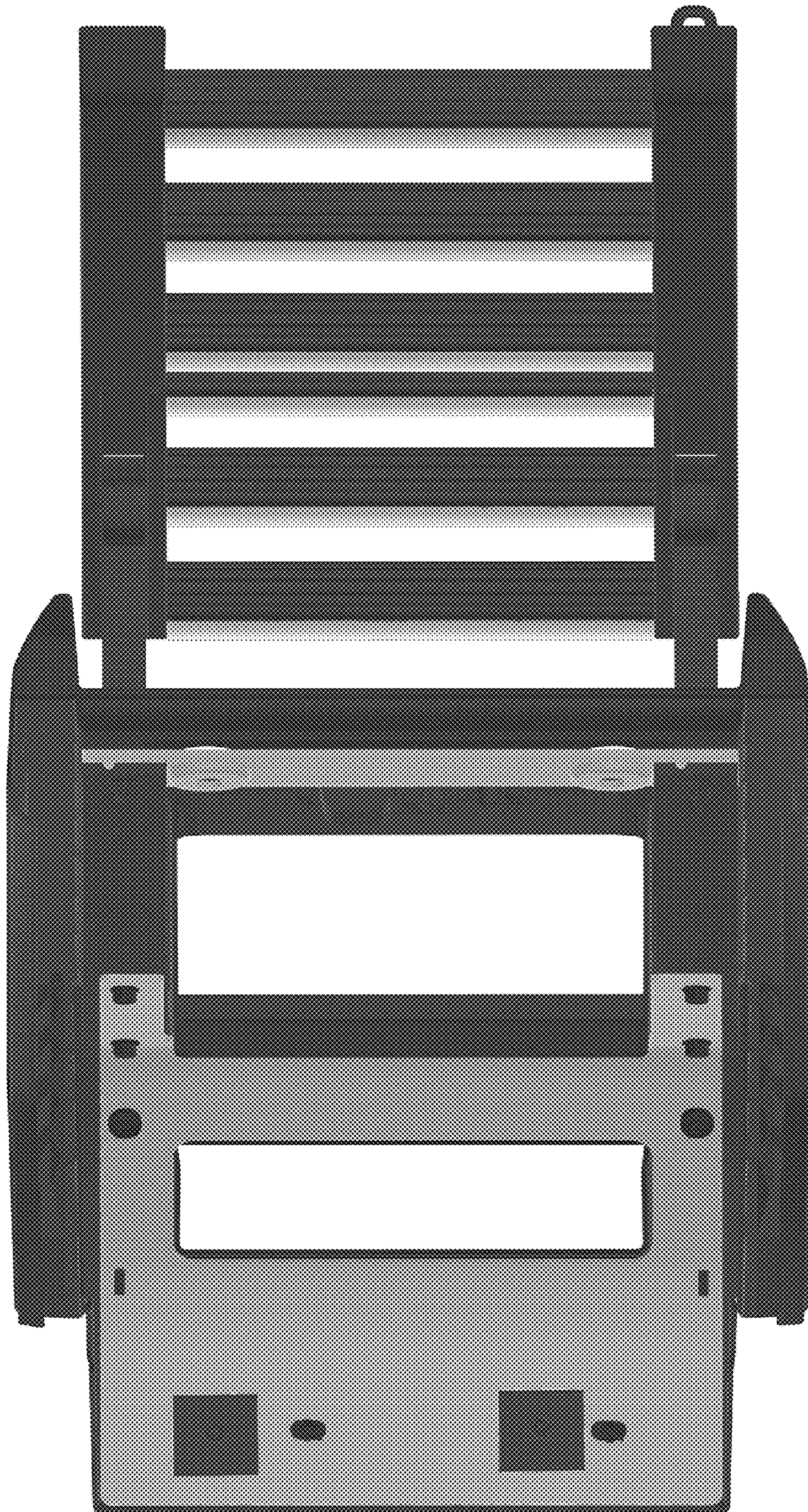


FIG. 27