



US00D934764S

(12) **United States Design Patent** (10) **Patent No.:** **US D934,764 S**  
**Nochez** (45) **Date of Patent:** **\*\* Nov. 2, 2021**

- (54) **CLUTCH RETAINER PLATE**
- (71) Applicant: **Action Clutch, Inc.**, Los Angeles, CA (US)
- (72) Inventor: **Erik Alexander Nochez**, Los Angeles, CA (US)
- (73) Assignee: **Action Clutch, Inc.**, Los Angeles, CA (US)

5,800,270 A \* 9/1998 Uenohara ..... F16F 15/1232  
464/64.1  
D443,880 S \* 6/2001 Iida ..... D15/148  
D470,861 S \* 2/2003 Kohno ..... D15/5  
D478,093 S \* 8/2003 Bentley ..... D15/5  
9,261,165 B2 \* 2/2016 Jung ..... F16F 15/145  
2009/0032364 A1 \* 2/2009 MacDonald ..... F16F 15/123  
192/212  
2015/0362041 A1 \* 12/2015 Lee ..... F16F 15/1343  
192/3.29

(Continued)

(\*\*) Term: **15 Years**

(21) Appl. No.: **29/725,320**

(22) Filed: **Feb. 24, 2020**

(51) **LOC (13) Cl.** ..... **12-16**

(52) **U.S. Cl.**  
USPC ..... **D12/180**

(58) **Field of Classification Search**  
USPC ..... D12/180, 420, 223; D15/1-5;  
D25/119-125, 199  
CPC ..... F16D 13/686; F16D 13/646; F16D 13/64;  
F16F 15/1343; F16F 15/123; F16F  
15/145; F16F 15/1217; F16F 15/1232;  
F16F 15/1238; F16F 15/13446; F16F  
15/1202; F16F 15/127; F16F 15/1234

See application file for complete search history.

(56) **References Cited**

U.S. PATENT DOCUMENTS

- 3,091,949 A \* 6/1963 Sink ..... F16D 13/646  
464/68.41
- 4,440,283 A \* 4/1984 Nioloux ..... F16F 15/1238  
192/204
- 4,537,579 A \* 8/1985 Loizeau ..... F16F 15/127  
192/205
- 4,548,308 A \* 10/1985 Little ..... F16F 15/1202  
192/201
- D373,369 S \* 9/1996 Matsui ..... D15/148
- 5,609,526 A \* 3/1997 Kitayama ..... F16F 15/1238  
464/64.1

OTHER PUBLICATIONS

Action Clutch, „Action Clutch Stage 3 IMS (Metallic Sprung) Acura Integra 1994-2001 1.8L VTEC/NON VTEC clutch kit, Internet, Amazon, Nov. 20, 2017, 3 pages, <https://www.amazon.com/Action-Clutch-Metallic-Integra-1994-2001/dp/B077MTCKRL>, USA.

*Primary Examiner* — Susan E Krakower

*Assistant Examiner* — Jerry Shiuan-Hua Hsu

(74) *Attorney, Agent, or Firm* — Olav M. Underdal; IDP Patent Services

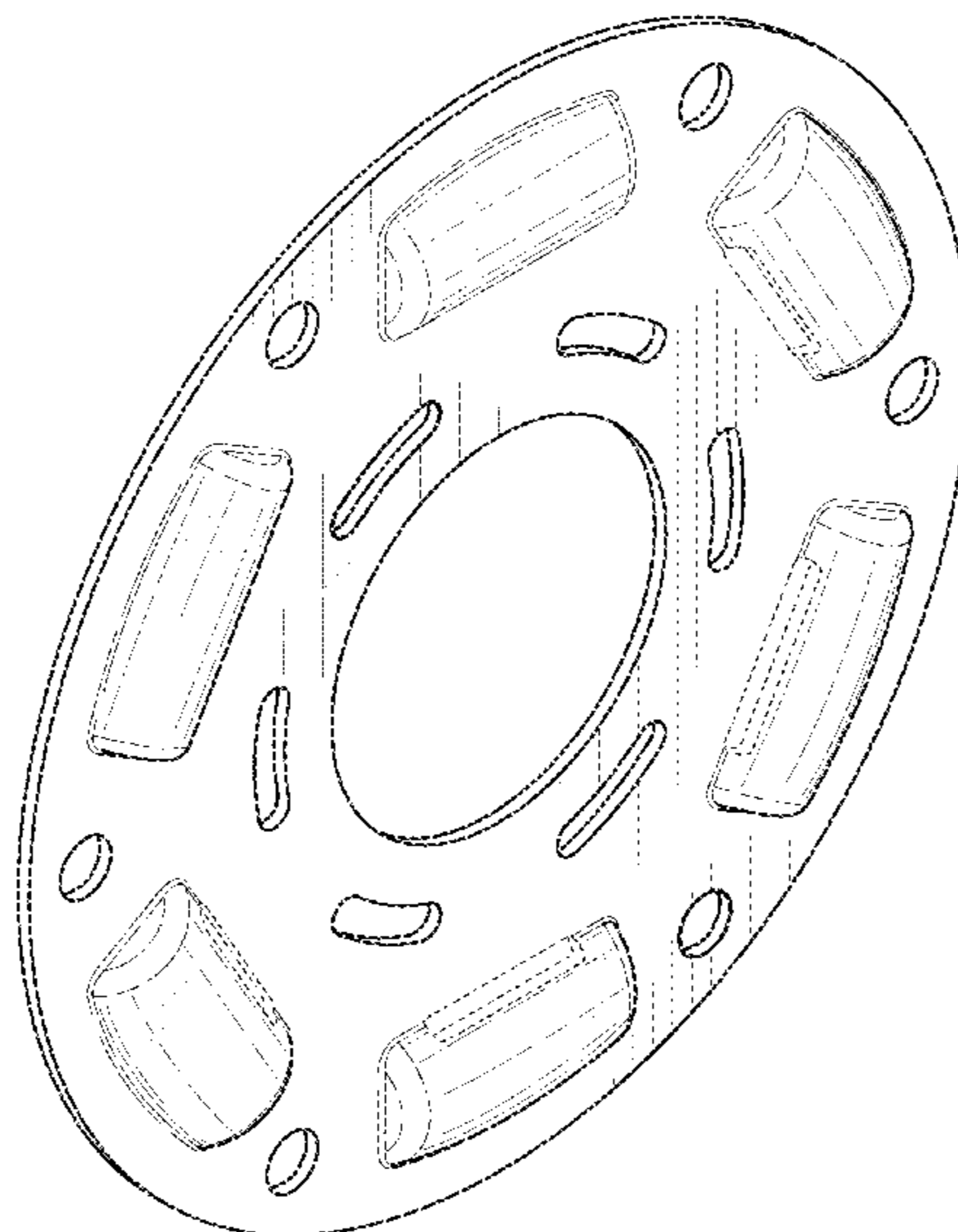
(57) **CLAIM**

The ornamental design for a clutch retainer plate, as shown and described.

**DESCRIPTION**

FIG. 1 is a front, top, right side perspective view of a clutch retainer plate showing my new design; FIG. 2 is a rear, top, right side perspective view thereof; FIG. 3 is a front side elevational view thereof; FIG. 4 is a rear side elevational view thereof; FIG. 5 is a top plan view thereof; FIG. 6 is a left side elevational view thereof; FIG. 7 is a right side elevational view thereof; and, FIG. 8 is a bottom plan view thereof. The broken lines show portions of the clutch retainer plate that form no part of the claimed design.

**1 Claim, 5 Drawing Sheets**



(56)

**References Cited**

U.S. PATENT DOCUMENTS

2017/0152898 A1\* 6/2017 Pereira ..... F16D 13/64  
2020/0049227 A1\* 2/2020 Cazares ..... F16F 15/12393

\* cited by examiner

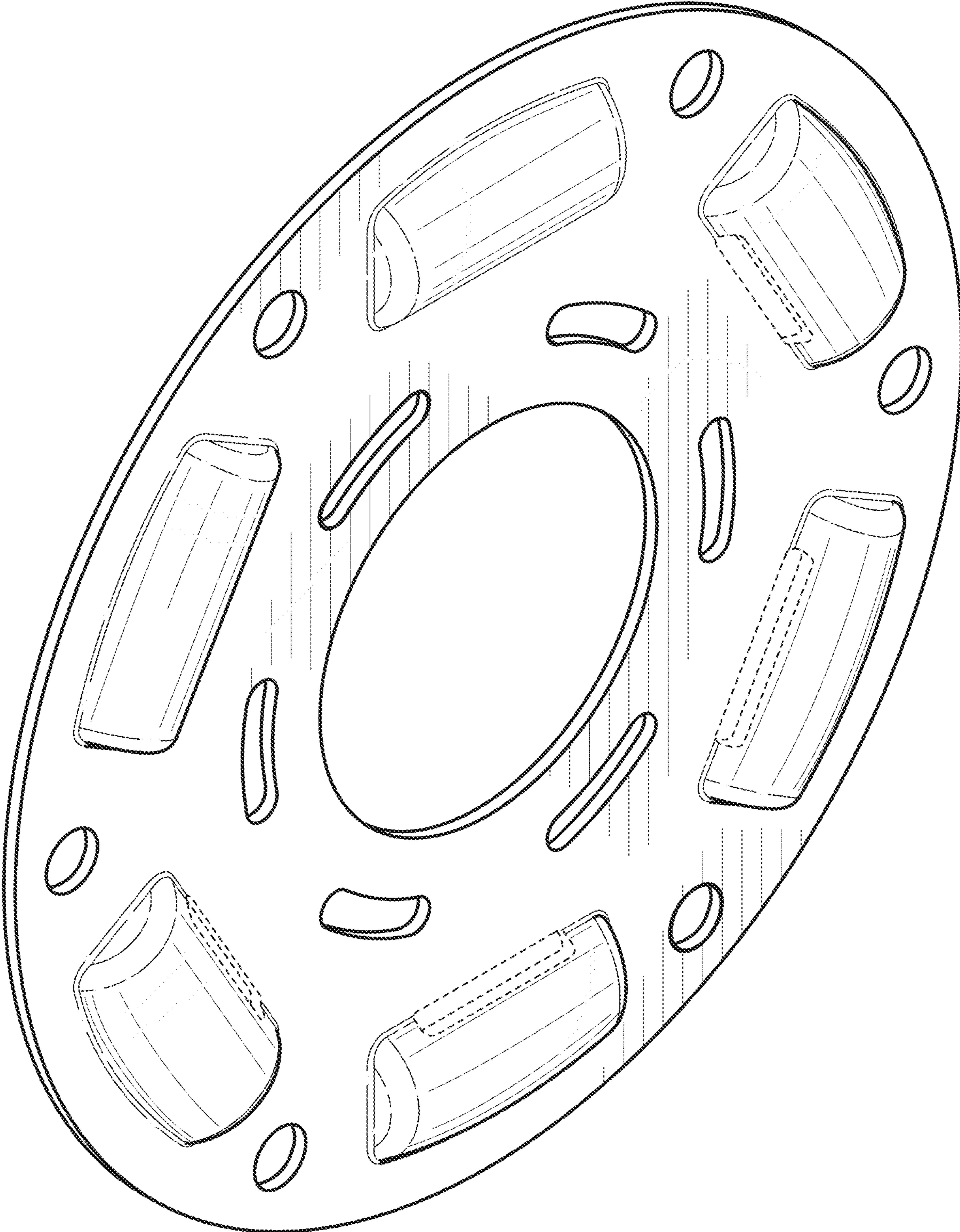


FIG. 1

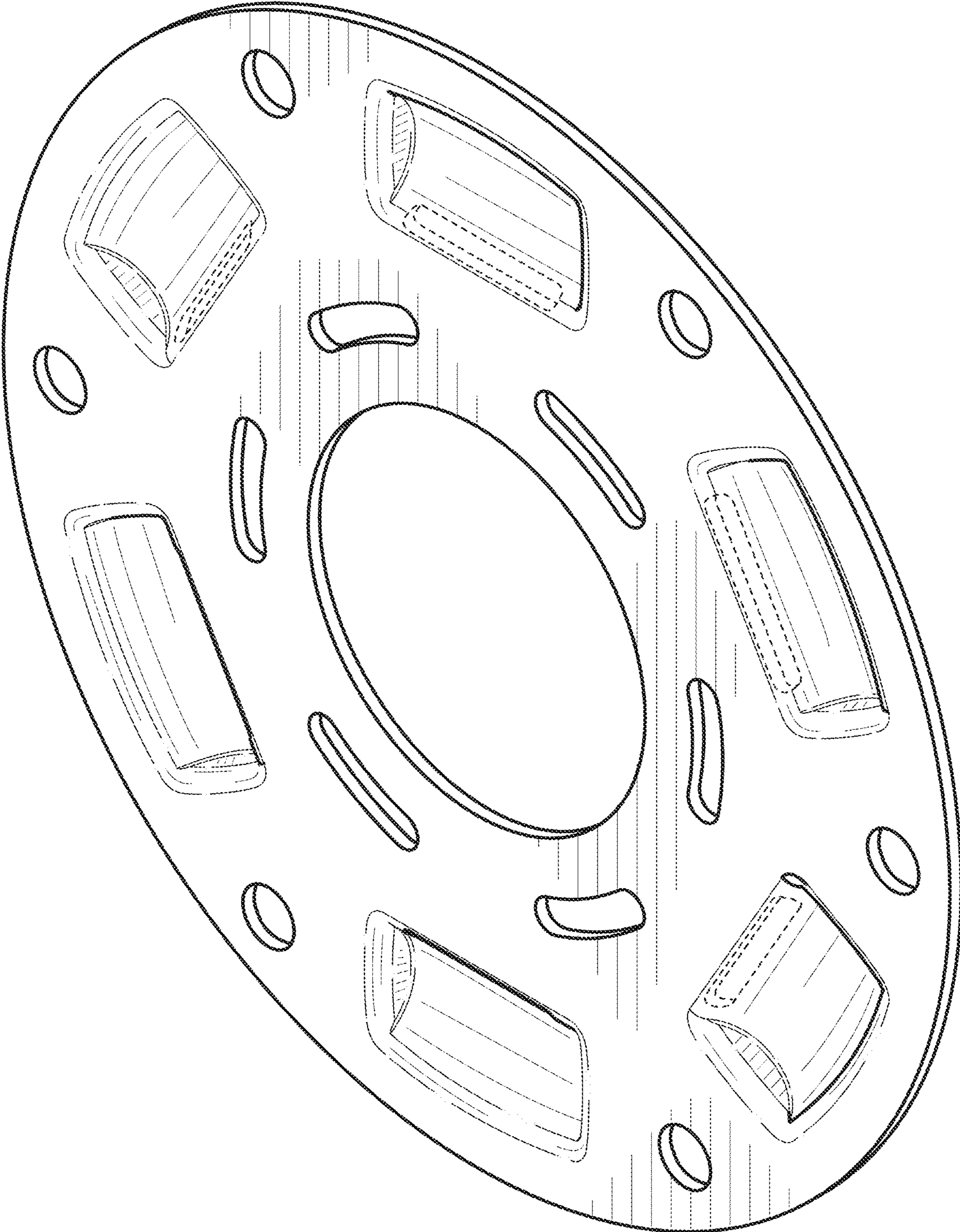


FIG. 2

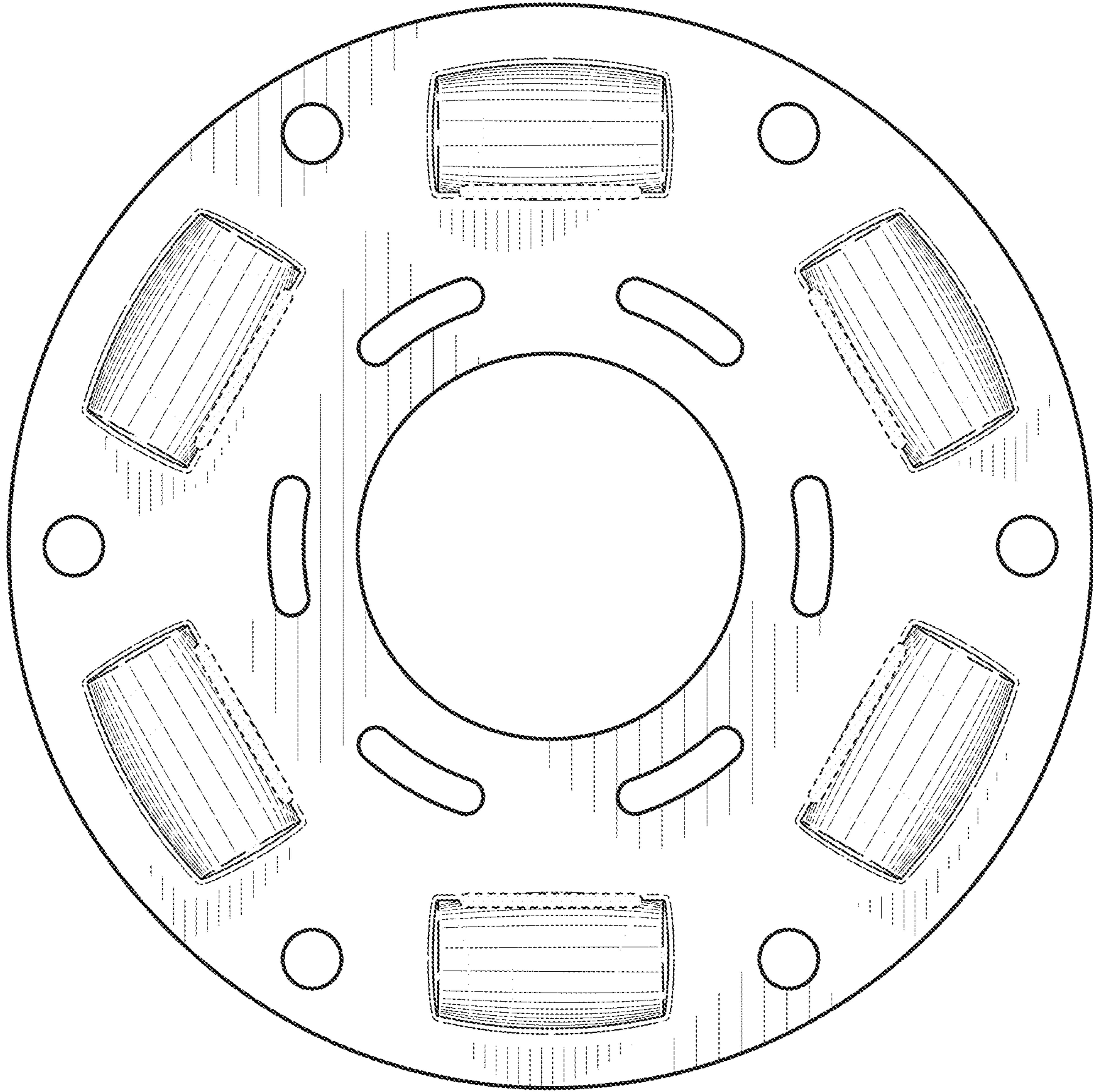


FIG. 3

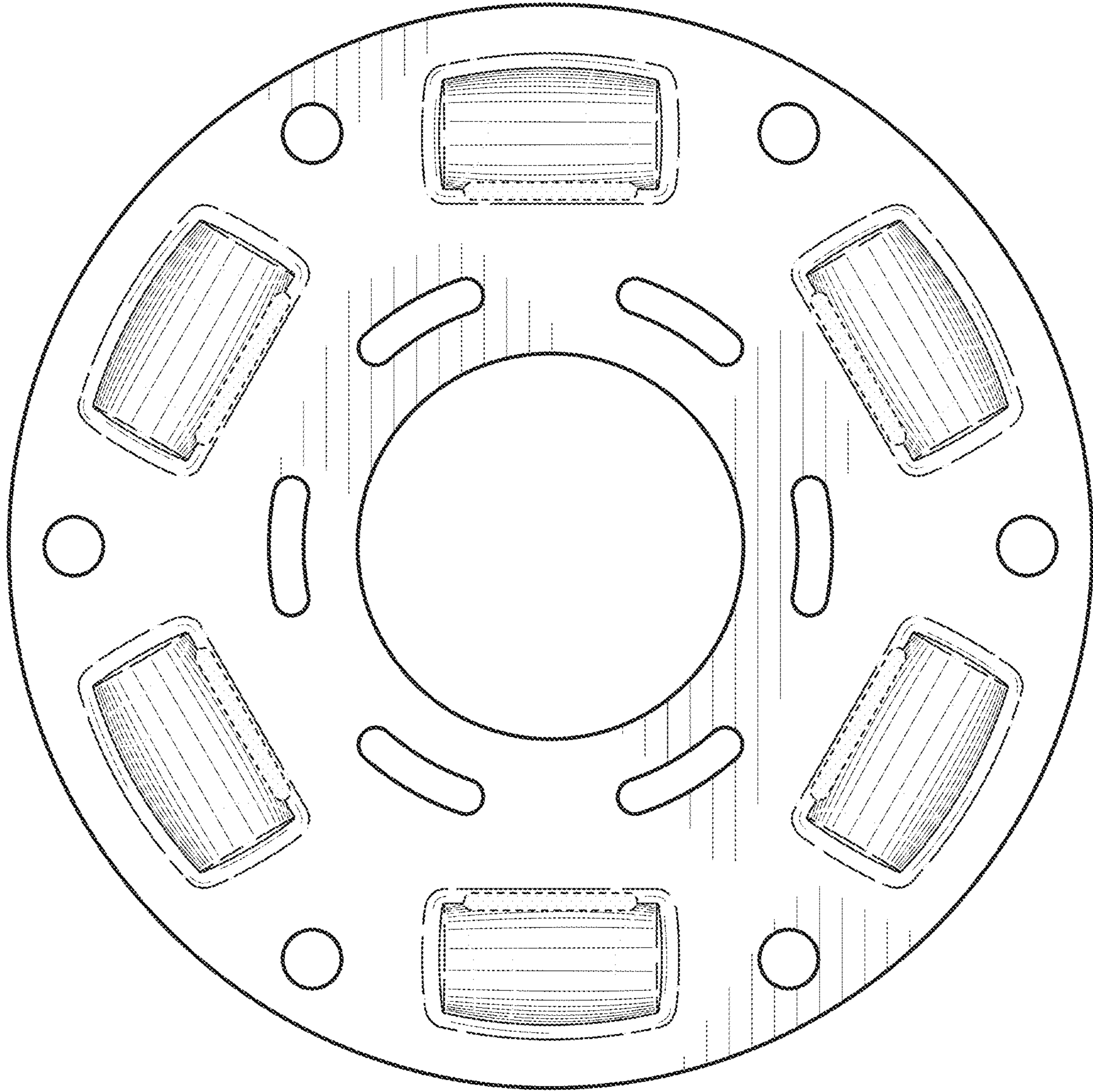


FIG. 4

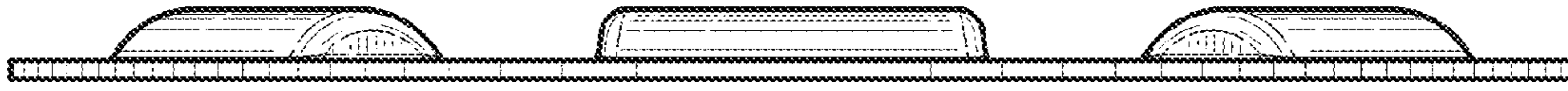


FIG. 5

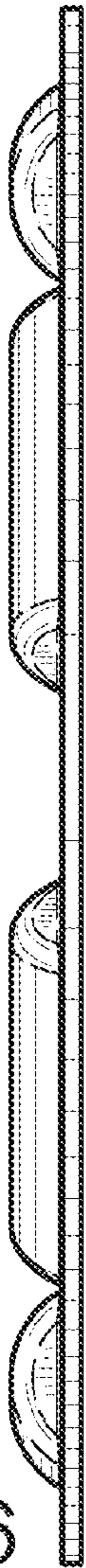


FIG. 6

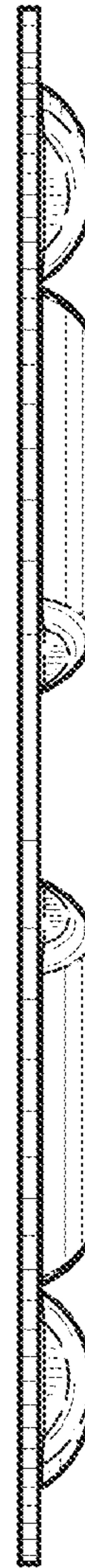


FIG. 7

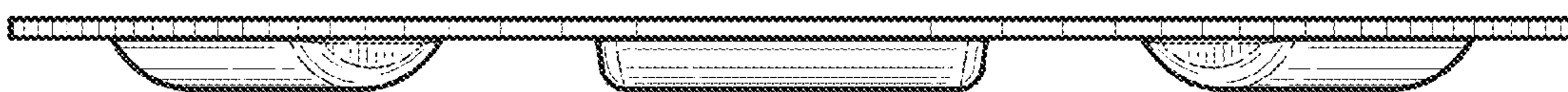


FIG. 8